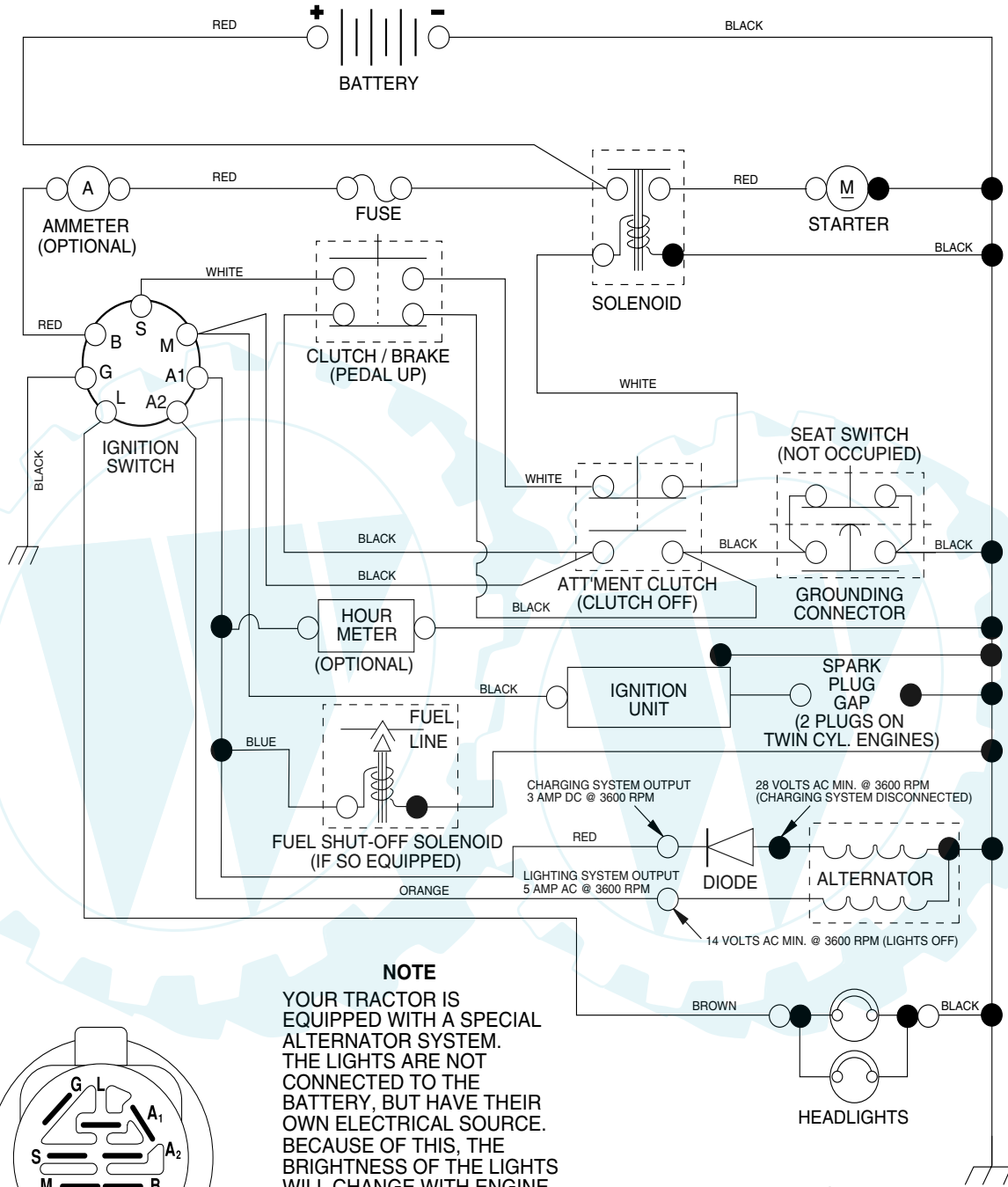
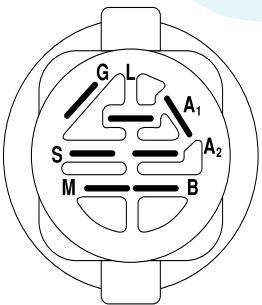


**TRACTOR -- MODEL NUMBER WA15542A, PRODUCT NUMBER 954 56 94-17  
SCHEMATIC**



**NOTE**  
YOUR TRACTOR IS EQUIPPED WITH A SPECIAL ALTERNATOR SYSTEM. THE LIGHTS ARE NOT CONNECTED TO THE BATTERY, BUT HAVE THEIR OWN ELECTRICAL SOURCE. BECAUSE OF THIS, THE BRIGHTNESS OF THE LIGHTS WILL CHANGE WITH ENGINE SPEED. AT IDLE THE LIGHTS WILL DIM. AS THE ENGINE IS SPEEDED UP, THE LIGHTS WILL BECOME THEIR BRIGHTEST.



**IGNITION SWITCH**

| POSITION  | CIRCUIT    | "MAKE" |
|-----------|------------|--------|
| OFF       | M+G+A1     | NONE   |
| RUN/LIGHT | B+A1       | A2+L   |
| RUN       | B+A1       | NONE   |
| START     | B + S + A1 | NONE   |

**WIRING INSULATED CLIPS**

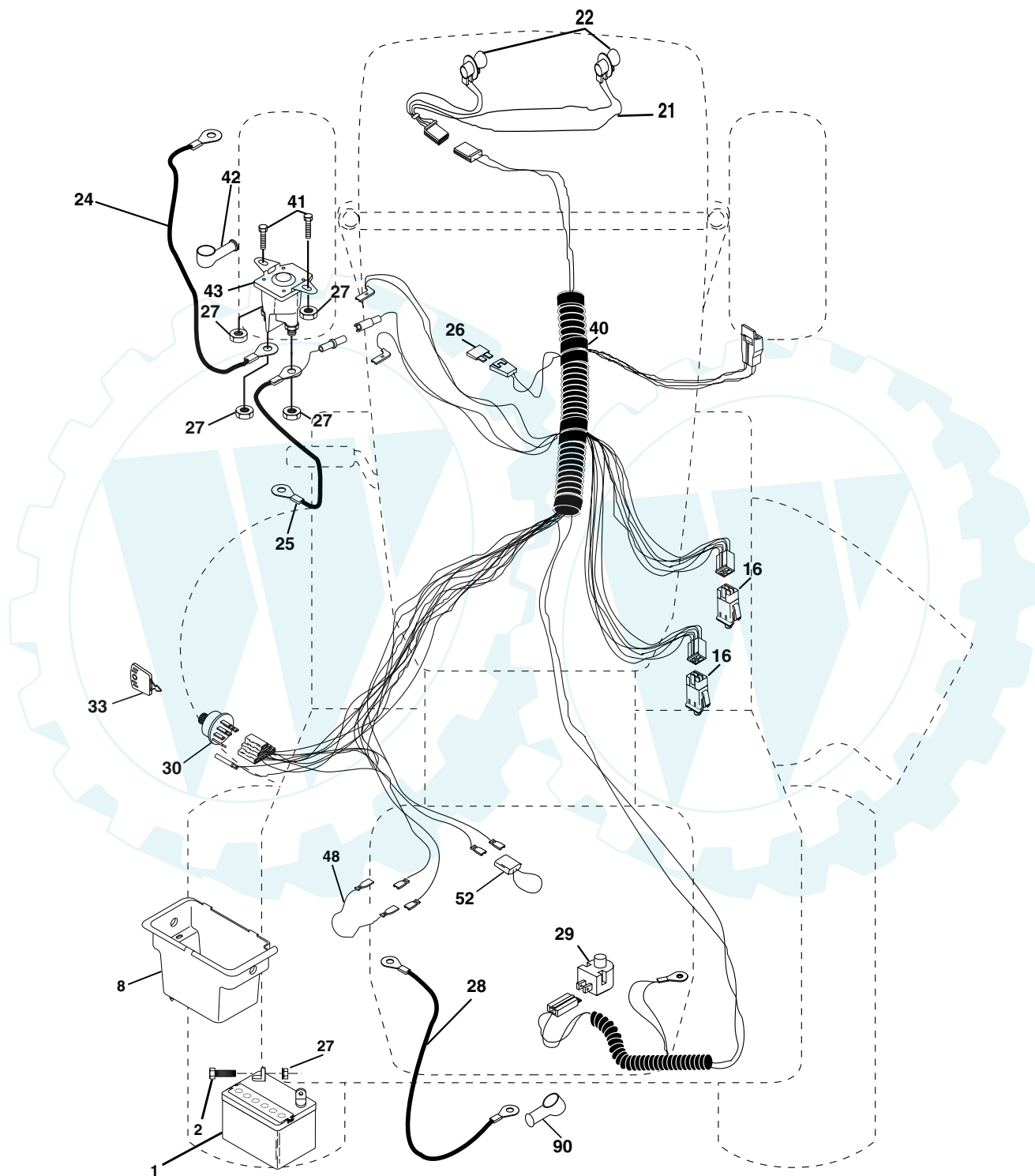
**NOTE:** IF WIRING INSULATED CLIPS WERE REMOVED FOR SERVICING OF UNIT, THEY SHOULD BE REPLACED TO PROPERLY SECURE YOUR WIRING.

NON-REMOVABLE CONNECTIONS

REMOVABLE CONNECTIONS

# REPAIR PARTS

TRACTOR - - MODEL NUMBER WA15542A, PRODUCT NUMBER 954 56 94-17  
ELECTRICAL

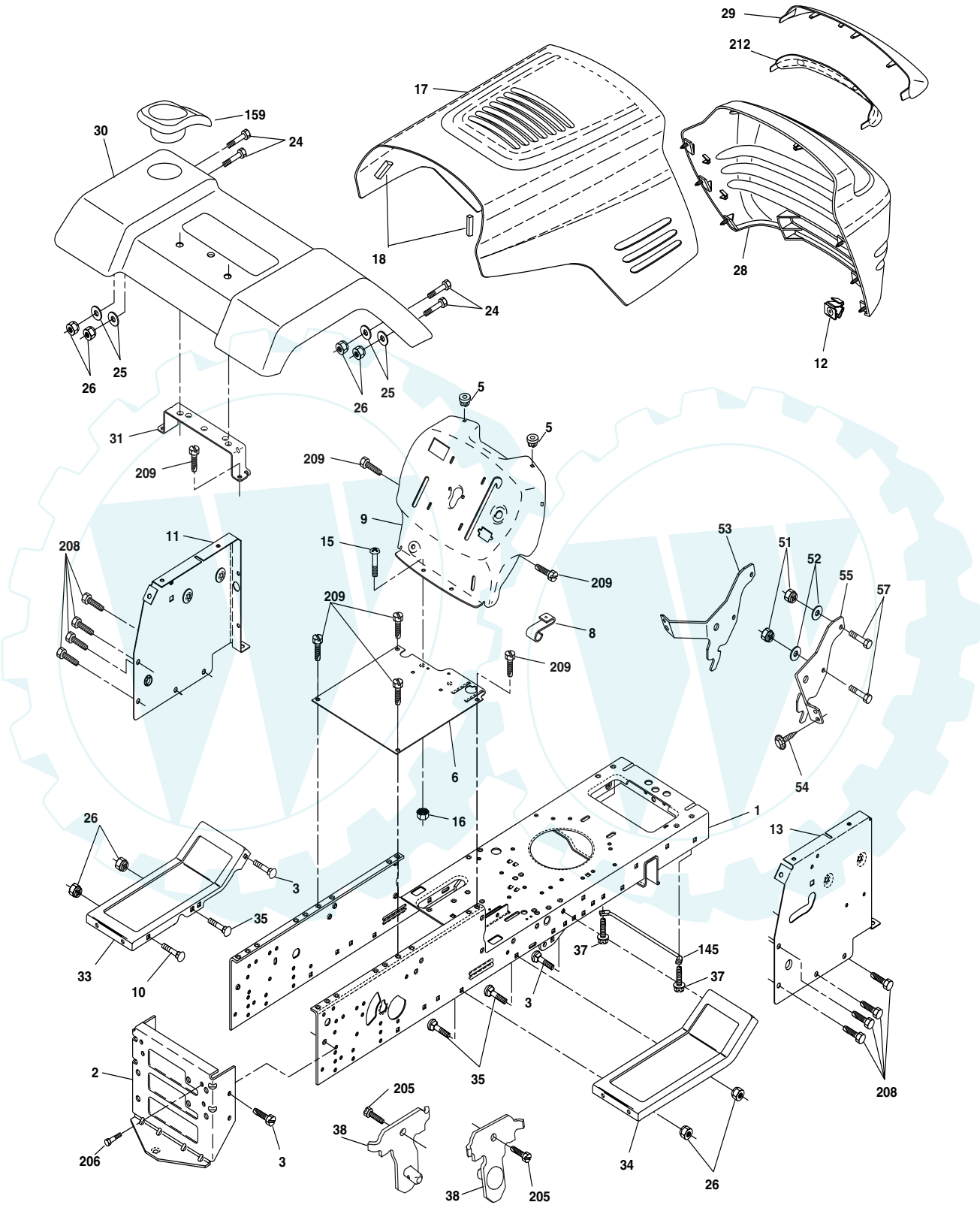


**TRACTOR - - MODEL NUMBER WA15542A, PRODUCT NUMBER 954 56 94-17  
ELECTRICAL**

| <b>KEY PART<br/>NO.</b> | <b>NO.</b> | <b>DESCRIPTION</b>                 |
|-------------------------|------------|------------------------------------|
| 1                       | 163465     | Battery                            |
| 2                       | 74760412   | Bolt Hex Hd 1/4-20unc x 3/4        |
| 8                       | 176689     | Box Battery Fender                 |
| 16                      | 176138     | Switch, Interlock                  |
| 21                      | 175688     | Harness Asm Light W/4152j          |
| 22                      | 4152J      | Bulb Light #1156                   |
| 24                      | 4799J      | Cable Battery 6 Ga 11" red         |
| 25                      | 146147     | Cable Battery 6 Ga w/16 wire red   |
| 26                      | 175158     | Fuse 20 AMP                        |
| 27                      | 73510400   | Nut, Keps Hex 1/4-20 UNC           |
| 28                      | 4207J      | Cable Ground 6 Ga 12" black        |
| 29                      | 121305X    | Switch Plunger Nc Gray             |
| 30                      | 175566     | Switch Ign                         |
| 33                      | 140401     | Key Ign.                           |
| 40                      | 179720     | Harness Ign                        |
| 41                      | 71110408   | Bolt Blk. Fin Hex 1/4-20 Unc x 1/2 |
| 42                      | 131563     | Cover Terminal Red                 |
| 43                      | 178861     | Solenoid                           |
| 48                      | 140844     | Adapter Ammeter                    |
| 52                      | 141940     | Protection Wire Loop               |
| 90                      | 180499     | Cover Battery Terminal             |

**NOTE:** All component dimensions give in U.S. inches  
1 inch = 25.4 mm

**TRACTOR - - MODEL NUMBER WA15542A, PRODUCT NUMBER 954 56 94-17  
CHASSIS AND ENCLOSURES**

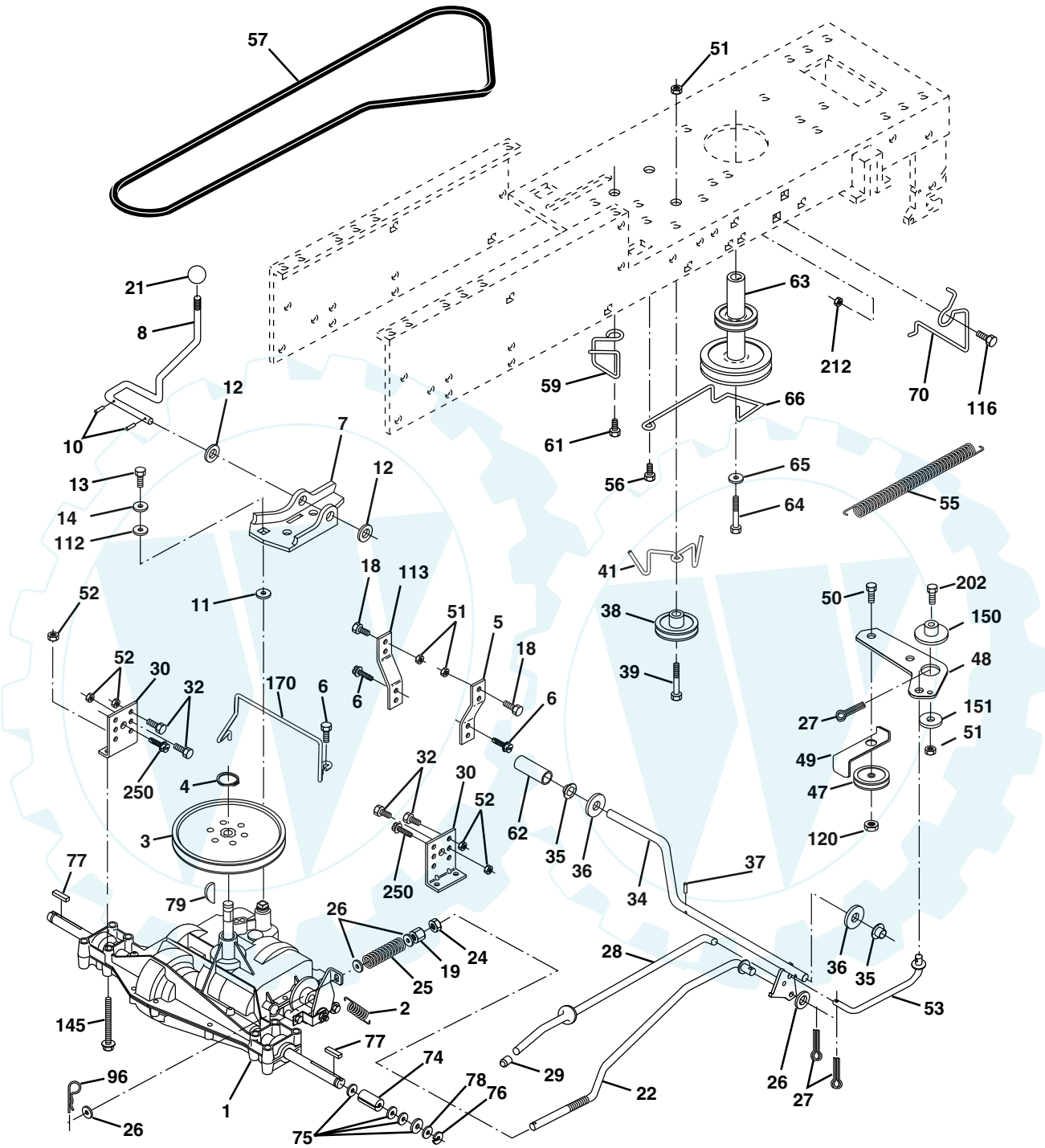


**TRACTOR - - MODEL NUMBER WA15542A, PRODUCT NUMBER 954 56 94-17  
CHASSIS AND ENCLOSURES**

| KEY NO. | PART NO.          | DESCRIPTION                       |
|---------|-------------------|-----------------------------------|
| 1       | 174620            | Chassis                           |
| 2       | 176554            | Drawbar                           |
| 3       | 17060612          | Screw 3/8-16 x 3/4                |
| 5       | 155272            | Bumper Hood/Dash                  |
| 6       | 174643X011        | Saddle Slkscr Flat Lt 6 Sp        |
| 8       | 155138            | Clip Retainer Slide-On            |
| 9       | 168347X011        | Dash                              |
| 10      | 72140608          | Bolt RdHd Sqnk. 3/8-16 Unc x 1    |
| 11      | 174996            | Panel Asm. Dash Lh                |
| 12      | 145660            | Clip Tinnerman Grile P/L          |
| 13      | 172105X010        | Panel Dash Rh                     |
| 15      | 74180512          | Screw Mach Trhd 5/16-18 Unc x 3/4 |
| 16      | 73510500          | Nut Keps 5/16-18 Unc              |
| 17      | 144983X603        | Hood                              |
| 18      | 184921            | Bumper Hood                       |
| 24      | 74780616          | Bolt Fin Hex 3/8-16 Unc x 1 Gr. 5 |
| 25      | 19131312          | Washer 13/32 x 13/16 x 12 Ga.     |
| 26      | 73800600          | Nut Lock Hex w/Insert 3/8-16 UNC  |
| 28      | 178987X428        | Grill/Lens Asm                    |
| 29      | 155217X599        | Lens Grille                       |
| 30      | <b>185473X603</b> | Fender Asm                        |
| 31      | 136619            | Bracket Fender                    |
| 33      | 179716X603        | Footrest LH                       |
| 34      | 179717X603        | Footrest RH                       |
| 35      | 72110606          | Bolt RdHd Sht. Sqnk. 3/8-16 x 3/4 |
| 37      | 17490508          | Screw Thdrol 5/16-18 x 1/2 Tyt    |
| 38      | 175710            | Bracket Asm. Pivot Mower Rear     |
| 51      | 73800400          | Nut Lock Hex W/Ins. 1/4-20        |
| 52      | 19091416          | Washer 9/32 x 7/8 x 16 Ga.        |
| 53      | 145201            | Bracket Grille LH                 |
| 54      | 161464            | Screw Hex Wshd 8-18 x 7/8         |
| 55      | 145202            | Bracket, Grille RH                |
| 57      | 74780412          | Bolt Fin Hex 1/4-20 x .75         |
| 145     | 156524            | Rod Pivot Chassis/Hood            |
| 159     | <b>169473X428</b> | Cup Holder                        |
| 205     | 17490608          | Screw Thdrol 3/8-16 x 1/2         |
| 206     | 170165            | Bolt shoulder 5/16-18             |
| 208     | 17670608          | Screw Thdrol 3/8-16 x 1/2         |
| 209     | 17000612          | Screw Hex Wsh Thdrol 3/8-16       |
| 212     | 165919            | Insert Lens Reflector             |
| --      | 5479J             | Plug Btn Blk                      |

**NOTE:** All component dimensions given in U.S. inches  
1 inch = 25.4 mm

TRACTOR - - MODEL NUMBER WA15542A, PRODUCT NUMBER 954 56 94-17  
GROUND DRIVE



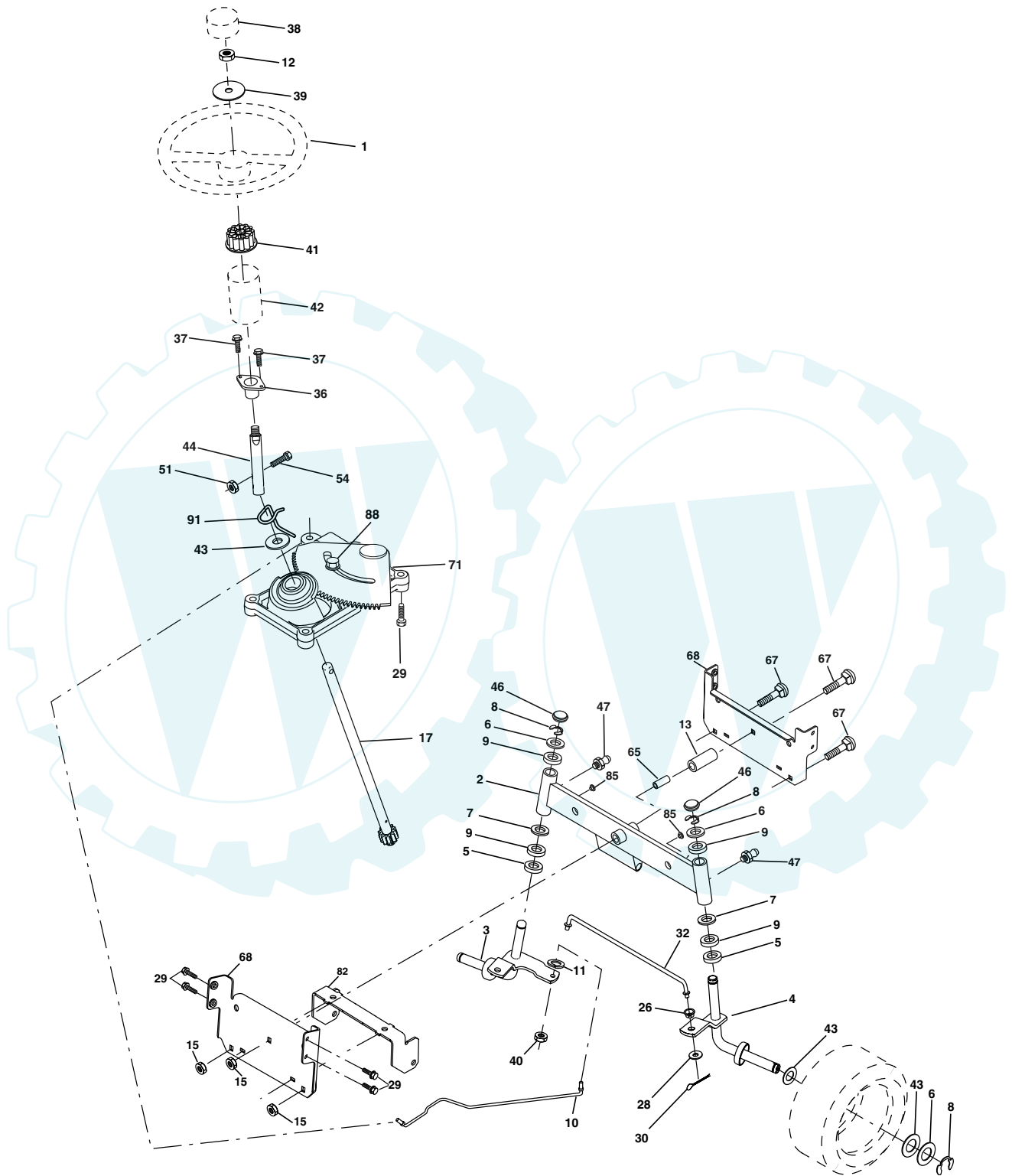
**TRACTOR -- MODEL NUMBER WA15542A, PRODUCT NUMBER 954 56 94-17  
GROUND DRIVE**

| KEY PART NO. | NO.      | DESCRIPTION   | KEY PART NO. | NO.      | DESCRIPTION                        |
|--------------|----------|---|--------------|----------|------------------------------------|
| 1            | -----    | Transaxle Peerless Model 206-545C (Order Parts From Transaxle Manufacturer) | 50           | 72110612 | Bolt Carr Sh 3/8-16 x 1-1/2 Gr. 5  |
| 2            | 146682   | Spring Extension Brake  | 51           | 73680600 | Nut                                |
| 3            | 123666X  | Pulley Transaxle 18" tires  | 52           | 73680500 | Nut                                |
| 4            | 12000028 | Ring Retainer # 5100-62   | 53           | 105710X  | Link Clutch 7 66                   |
| 5            | 121520X  | Strap Torque Rh Pnt Blk   | 55           | 105709X  | Spring Return Clutch 6 75          |
| 6            | 17060512 | Screw 5/16-18 X 3/4   | 56           | 17060620 | Screw 3/8-16 x 1-1/4               |
| 7            | 162240   | Bracket T/A Saddle Shift  | 57           | 130801   | V-belt Ground Drive 95             |
| 8            | 131679   | Rod Shifter Black(dana)   | 59           | 169691   | Keeper Belt Chassis Span Ctr.      |
| 10           | 76020416 | Pin,Cotter  | 61           | 17120614 | Screw 3/8-16 x .875                |
| 11           | 105701X  | Washer Plate Shf 388 Sq Hole  | 62           | 8883R    | Cover Pedal Blk Round              |
| 12           | 19151216 | Washer 15/32 X 3/4 X 16ga   | 63           | 175410   | Pulley Engine                      |
| 13           | 74550412 | Bolt 1/4-28 UNF Gr. 8 W/Patch   | 64           | 71170764 | Bolt, Hex 7/16-20 x 4 Grade 5      |
| 14           | 10040400 | Washer  | 65           | 10040700 | Washer, Lock, Hvy Hlcl Spring 7/16 |
| 18           | 74780616 | Bolt Fin Hex 3/8-16 UNC x 1 Gr. 5   | 66           | 154778   | Keeper Belt Engine Flproof         |
| 19           | 73800600 | Nut   | 70           | 134683   | Guide Belt Dr Mower Rh             |
| 21           | 106933X  | Knob Rd 1/2-13 Plstc Thds Blk   | 74           | 137057   | Spacer Axle                        |
| 22           | 130804   | Rod Brake Lt  | 75           | 121749X  | Washer 25/32 X 1 1/4 X 16 Ga       |
| 24           | 73350600 | Nut   | 76           | 12000001 | E Ring                             |
| 25           | 106888X  | Spring Rod Brake 2 00 Zinc  | 77           | 123583X  | Key Square 2 0 X 1845/ 1865        |
| 26           | 19131316 | Washer  | 78           | 121748X  | Washer 25/32 X 1 5/8 X 16ga        |
| 27           | 76020412 | Pin   | 79           | 2228M    | Key Woodruff                       |
| 28           | 175765   | Rod Brake Parking   | 96           | 4497H    | Retainer Spring 1"                 |
| 29           | 71673    | Cap Parking Brake   | 112          | 19091210 | Washer 9/32 X 3/4 X 10 Ga          |
| 30           | 174973   | Bracket Transmission  | 113          | 127285X  | Strap Torque Lh                    |
| 32           | 74760512 | Bolt  | 116          | 72140608 | Bolt, Rdhd Sqnk 3/8-16 x 1.00      |
| 34           | 175578   | Shaft Asm Pedal Foot  | 120          | 73900600 | Nut Lock Flg 3/8-16                |
| 35           | 120183X  | Bearing Nylon Blk 629 Id  | 145          | 74490540 | Bolt Hex Flghd 5/16-18 x Gr. 5     |
| 36           | 19211616 | Washer  | 150          | 175456   | Spacer Retainer                    |
| 37           | 1572H    | Roll Pin  | 151          | 19133210 | Washer 13/32 x 2 x 10 Ga.          |
| 38           | 179114   | Pulley Idler Composite  | 170          | 178394   | Keeper Belt                        |
| 39           | 74760648 | Bolt Fin Hex 3/8-16 Unc x 3   | 202          | 72110614 | Bolt RdHd 3/8-16 Unc x 1-3/4 Gr. 5 |
| 41           | 175556   | Keeper Belt Idler   | 212          | 145212   | Nut Hex Flange Lock                |
| 47           | 127783   | Pulley Idler V Groove Plastic   |              |          |                                    |
| 48           | 154407   | Bellcrank Clutch  |              |          |                                    |
| 49           | 123205X  | Retainer Belt Style Spring  |              |          |                                    |

**NOTE:** All component dimensions given in U.S. inches  
1 inch = 25.4 mm



**TRACTOR - - MODEL NUMBER WA15542A, PRODUCT NUMBER 954 56 94-17  
STEERING ASSEMBLY**



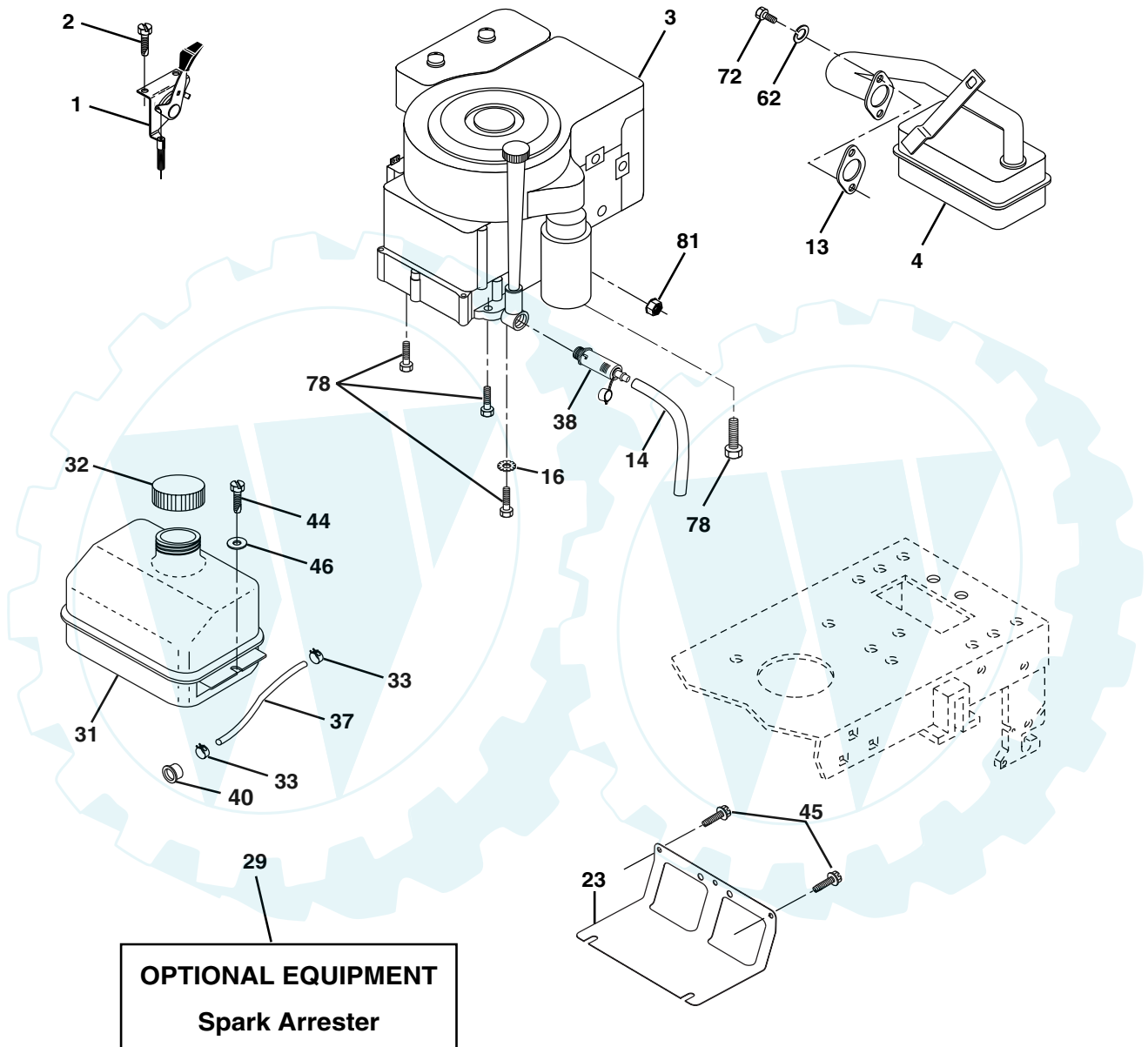


**TRACTOR - - MODEL NUMBER WA15542A, PRODUCT NUMBER 954 56 94-17  
STEERING ASSEMBLY**

| KEY NO. | PART NO.   | DESCRIPTION                       |
|---------|------------|-----------------------------------|
| 1       | 184704X428 | Wheel Steering Auto Black         |
| 2       | 175131     | Axle Asm Front                    |
| 3       | 169840     | Spindle Asm Lh                    |
| 4       | 169839     | Spindle Asm Rh                    |
| 5       | 6266H      | Bearing Race Thrust Harden        |
| 6       | 121748X    | Washer 25/32 X 1 5/8 X 16ga       |
| 7       | 19272016   | Washer 27/32 X 1 1/4 X 16 Ga      |
| 8       | 12000029   | Ring Klip #t5304-75               |
| 9       | 3366R      | Bearing Col Strg Blk              |
| 10      | 175121     | Link Drag                         |
| 11      | 10040600   | Lockwasher                        |
| 12      | 73940800   | Nut Hex Jam Toplock 1/2-20 Unf    |
| 13      | 136518     | Spacer Bearing Axle Front         |
| 15      | 145212     | Hex Flange Lock                   |
| 17      | 180641     | Shaft Asm Strg                    |
| 26      | 126847X    | Bushing Rod Tie Blk Lt            |
| 28      | 19131416   | Washer 13/32 X 7/8 X 16ga         |
| 29      | 17060612   | Screw 3/8-16x3/4                  |
| 30      | 76020412   | Pin                               |
| 32      | 130465     | Rod Tie Wire Form 19 75 Mech      |
| 36      | 155099     | Bushing Strg 5/8 Id Dash          |
| 37      | 152927     | Screw TT #10-32 x 5 x 3/8 Flange  |
| 38      | 159946X428 | Insert Cap Strg                   |
| 39      | 19183812   | Washer 9/16 ID x 2-3/8 OD 12 Ga.  |
| 40      | 7810H      | Locknut Center                    |
| 41      | 159945     | Adaptor Wheel Strg                |
| 42      | 145054X428 | Boot Dash Steering                |
| 43      | 121749X    | Washer 25/32 X 1 1/4 X 16 Ga      |
| 44      | 180640     | Extension Shaft Steering          |
| 46      | 121232X    | Cap Spindle Fr Top Blk            |
| 47      | 183226     | Fitting Grease                    |
| 51      | 73540400   | Nut Crownlock 1/4-28              |
| 54      | 71130420   | Bolt Hex 1/4-28 Unf x 1-1/4 Gr. 8 |
| 65      | 160367     | Spacer Brace Axle                 |
| 67      | 72140618   | Bolt Rdhd Sq 3/8-16 Unc x 2-3/4   |
| 68      | 169827     | Brace Axle                        |
| 71      | 175146     | Steering Asm                      |
| 82      | 169835     | Bracket Susp Chassis Front        |
| 85      | 133835     | Fastener Christmas Tree           |
| 88      | 175118     | Bolt Shoulder 7/16-20 Unc         |
| 91      | 175553     | Clip Steering                     |

**NOTE:** All component dimensions given in U.S. inches  
1 inch = 25.4 mm

**TRACTOR - - MODEL NUMBER WA15542A, PRODUCT NUMBER 954 56 94-17  
ENGINE**

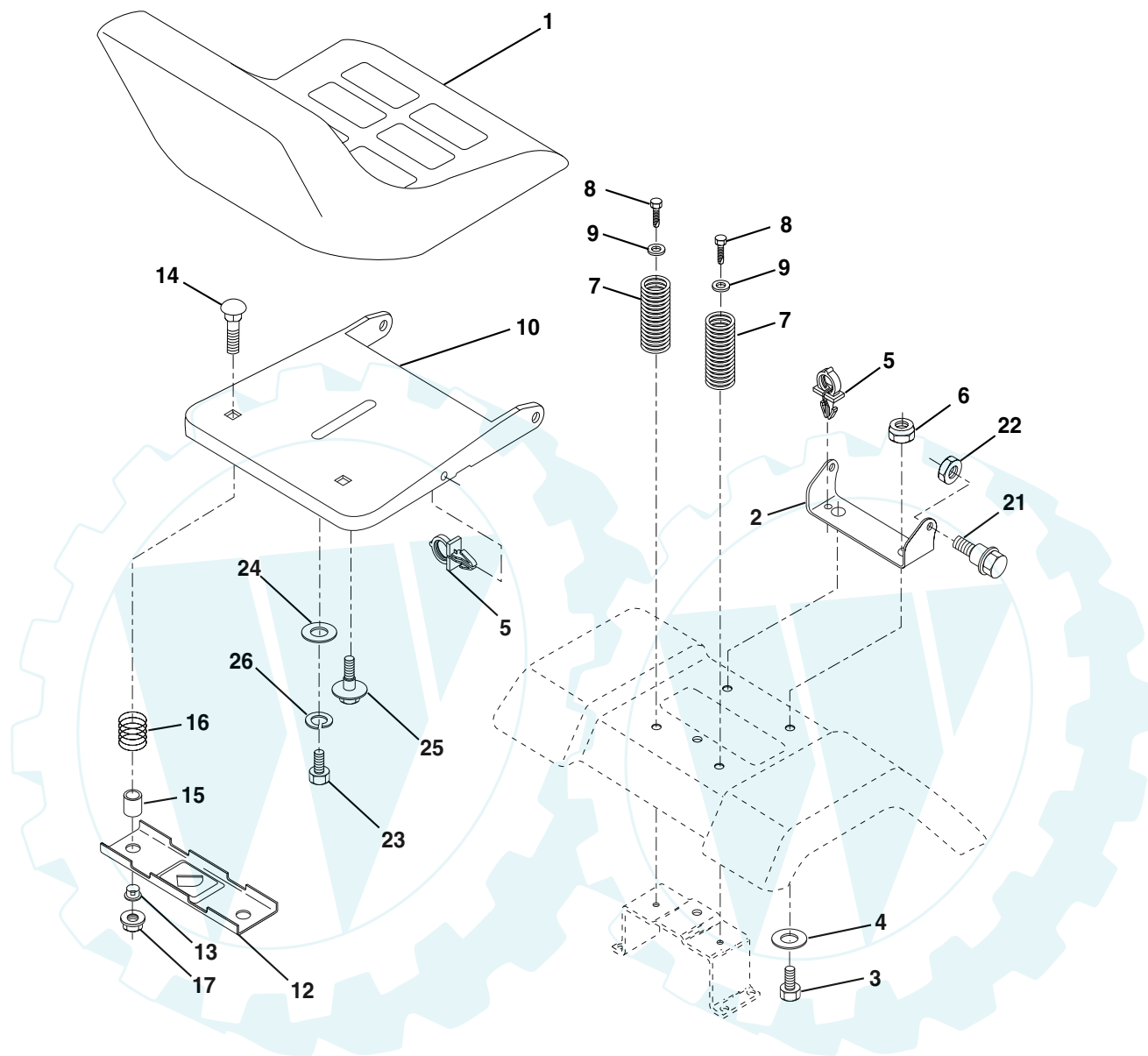


**TRACTOR - - MODEL NUMBER WA15542A, PRODUCT NUMBER 954 56 94-17  
ENGINE**

| <b>KEY<br/>NO.</b> | <b>PART<br/>NO.</b> | <b>DESCRIPTION</b>   |
|--------------------|---------------------|--|
| 1                  | 170551              | Control Throt /Ch Flag   |
| 2                  | 17720408            | Screw Hex Thd Cut 1/4-20x1/2   |
| 3                  | -----               | Engine Briggs Model 282H07<br>(Order Parts From Engine Manufacturer) |
| 4                  | 137352              | Muffler Exhaust B&S Lt   |
| 13                 | 165291              | Gasket 1 313 Id Tin Plated   |
| 14                 | 148456              | Tube Drain Oil   |
| 16                 | 11050600            | Washer Lock Ext Tooth 3/8  |
| 23                 | 169837              | Shield Browning/Debris Guard   |
| 29                 | 137180              | Arrestor Spark   |
| 31                 | 109202X             | Tank Fuel 1 25 Fr  |
| 32                 | 140527              | Cap Asm Fuel W/sym Vented  |
| 33                 | 123487X             | Clamp Hose Blk   |
| 37                 | 137040              | Line Fuel 20"  |
| 38                 | 181654              | Plug Drain Oil   |
| 40                 | 124028X             | Bushing Snap Nyl Blk Fuel Line                                       |
| 44                 | 17670412            | Screw Hexwsh Thdrol 1/4-20x3/4                                       |
| 45                 | 17000612            | Screw Hex Wsh Thdrol 3/8-16  |
| 46                 | 19091416            | Washer 9/32 X 7/8 X 16ga   |
| 62                 | 10040500            | Washer Lock Hvy Hlcl Spr 5/16  |
| 72                 | 71070512            | Screw Hexhd Cap 5/16-18x3/4  |
| 78                 | 17060620            | Screw 3/8-16x1-1/4   |
| 81                 | 73510400            | Nut Keps Hex 1/4-20 Unc  |

**NOTE:** All component dimensions given in U.S. inches  
1 inch = 25.4 mm

**TRACTOR - - MODEL NUMBER WA15542A, PRODUCT NUMBER 954 56 94-17  
SEAT ASSEMBLY**



**KEY PART  
NO. NO.**

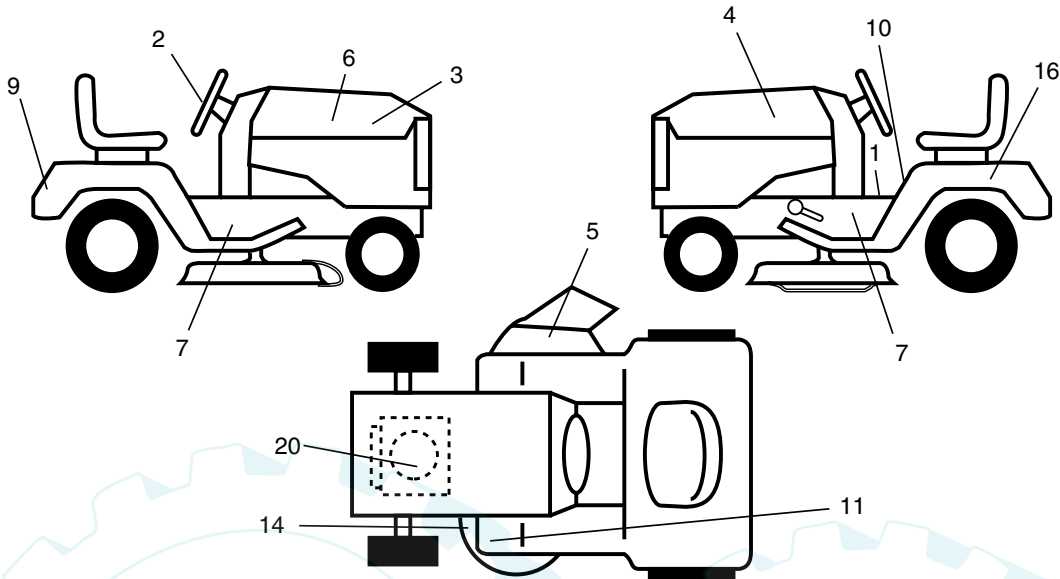
| KEY PART NO. | NO.      | DESCRIPTION                    |
|--------------|----------|--------------------------------|
| 1            | 140117   | Seat                           |
| 2            | 140551   | Bracket Pnt Pivot Seat (blk )  |
| 3            | 71110616 | Bolt                           |
| 4            | 19131610 | Washer 13/32 x 1 x 10 Ga       |
| 5            | 145006   | Clip Push-In Hinged            |
| 6            | 73800600 | Nut                            |
| 7            | 124181X  | Spring Seat Cprsn 2 250 Blk Zi |
| 8            | 17000616 | Screw 3/8-16 x 1               |
| 9            | 19131614 | Washer 13/32 x 1 x 14 Ga       |
| 10           | 182493   | Pan Pnt Seat (blk )            |
| 12           | 121246X  | Bracket Pnt Mounting Switch    |
| 13           | 121248X  | Bushing Snap Blk Nyl 50 Id     |

**KEY PART  
NO. NO.**

| KEY PART NO. | NO.      | DESCRIPTION                       |
|--------------|----------|-----------------------------------|
| 14           | 72050412 | Bolt Rdhd Sht Nk 1/4-20 x 1-1/2   |
| 15           | 134300   | Spacer Split 28 x 96 Yel Zinc     |
| 16           | 121250X  | Spring Cprsn 1 27 Blk Pnt         |
| 17           | 123976X  | Nut Lock 1/4 Lge Flg Gr 5 Zinc    |
| 21           | 171852   | Bolt Shoulder 5/16-18 Unc Blkz-2A |
| 22           | 73800500 | Nut                               |
| 23           | 71110814 | Bolt Hex Black                    |
| 24           | 19171912 | Washer 17/32 x 1-3/16 x 12 Ga     |
| 25           | 127018X  | Bolt Shoulder 5/16-18 x 62        |
| 26           | 10040800 | Lockwasher                        |

**NOTE:** All component dimensions given in U.S. inches 1 inch = 25.4 mm

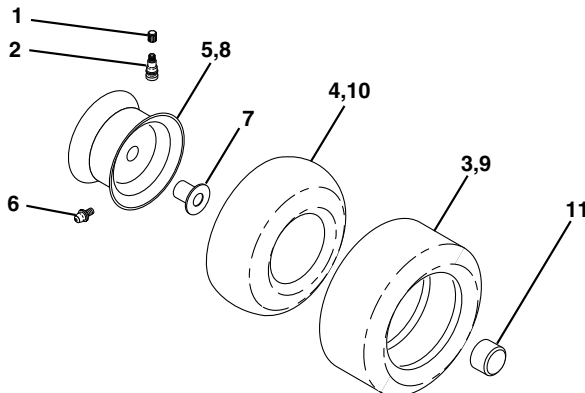
**TRACTOR -- MODEL NUMBER WA15542A, PRODUCT NUMBER 954 56 94-17  
DECALS**



| KEY PART NO. | PART NO. | DESCRIPTION                      |
|--------------|----------|----------------------------------|
| 1            | 156867   | Decal Instruction Operat English |
| 2            | 184943   | Decal Steering                   |
| 3            | 184934   | Decal Hood Rh                    |
| 4            | 184942   | Decal Hood Lh                    |
| 5            | 179128   | Decal Deck "B"                   |
| 6            | 185409   | Decal Replace                    |
| 7            | 184945   | Decal Chassis 6 Sp/42            |
| 9            | 184944   | Decal Fender Logo                |
| 10           | 156439   | Decal Danger English             |

| KEY PART NO. | PART NO.   | DESCRIPTION                 |
|--------------|------------|-----------------------------|
| 11           | 181249     | Decal Clutch/brake          |
| 14           | 160396     | Decal V-belt Schematic 42"  |
| 16           | 145005     | Decal Battery Danger/Poison |
| 20           | 185409     | Decal HP Engine             |
| --           | 179769X428 | Pad Footrest RH             |
| --           | 179768X428 | Pad Footrest LH             |
| --           | 138311     | Decal Lift Handle           |
| --           | 184539     | Manual Owner's English      |
| --           | 184540     | Manual Owner's Spanish      |

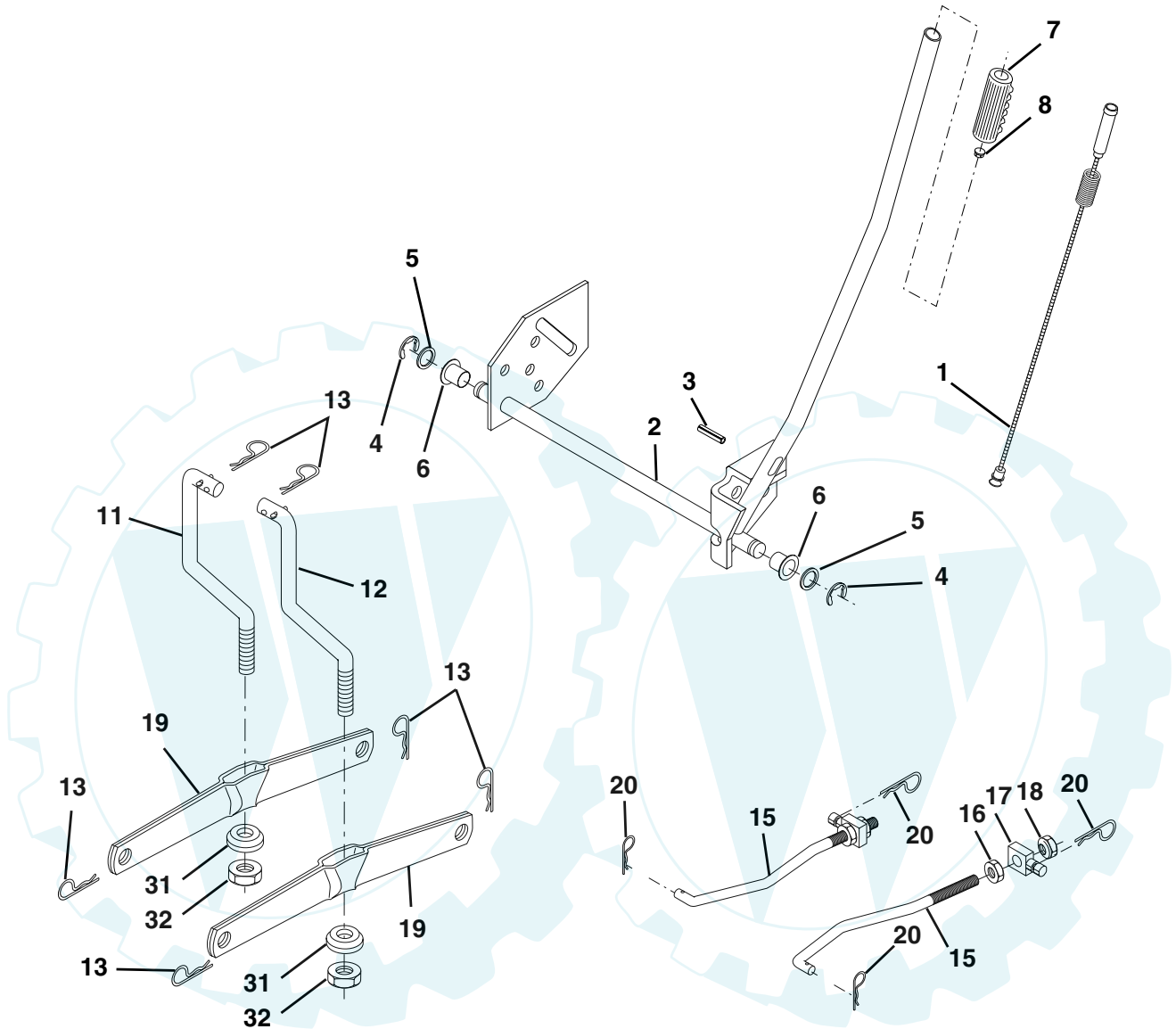
**WHEELS & TIRES**



| KEY PART NO. | PART NO.   | DESCRIPTION                       |
|--------------|------------|-----------------------------------|
| 1            | 59192      | Cap Valve Tire                    |
| 2            | 65139      | Stem Valve                        |
| 3            | 106222X    | Tire F Ts 15 X 6 0 - 6 Service    |
| 4            | 59904      | Tube Front (Service Item Only)    |
| 5            | 106732X417 | Rim Asm 6"front Silver Service    |
| 6            | 278H       | Fitting Grease (Front Wheel Only) |
| 7            | 9040H      | Bearing Flange (Front Wheel Only) |
| 8            | 106108X417 | Rim Asm 8"rear Silver Service     |
| 9            | 124635X    | Tire R Ts 18x8.5-8 C Service      |
| 10           | 7152J      | Tube Rear (Service Item Only)     |
| 11           | 104757X428 | Cap Axle Blk 1 50 X 1 00          |
| --           | 144334     | Sealant, Tire (10 oz. Tube)       |

**NOTE:** All component dimensions given in U.S. inches 1 inch = 25.4 mm

**TRACTOR -- MODEL NUMBER WA15542A, PRODUCT NUMBER 954 56 94-17  
LIFT ASSEMBLY**



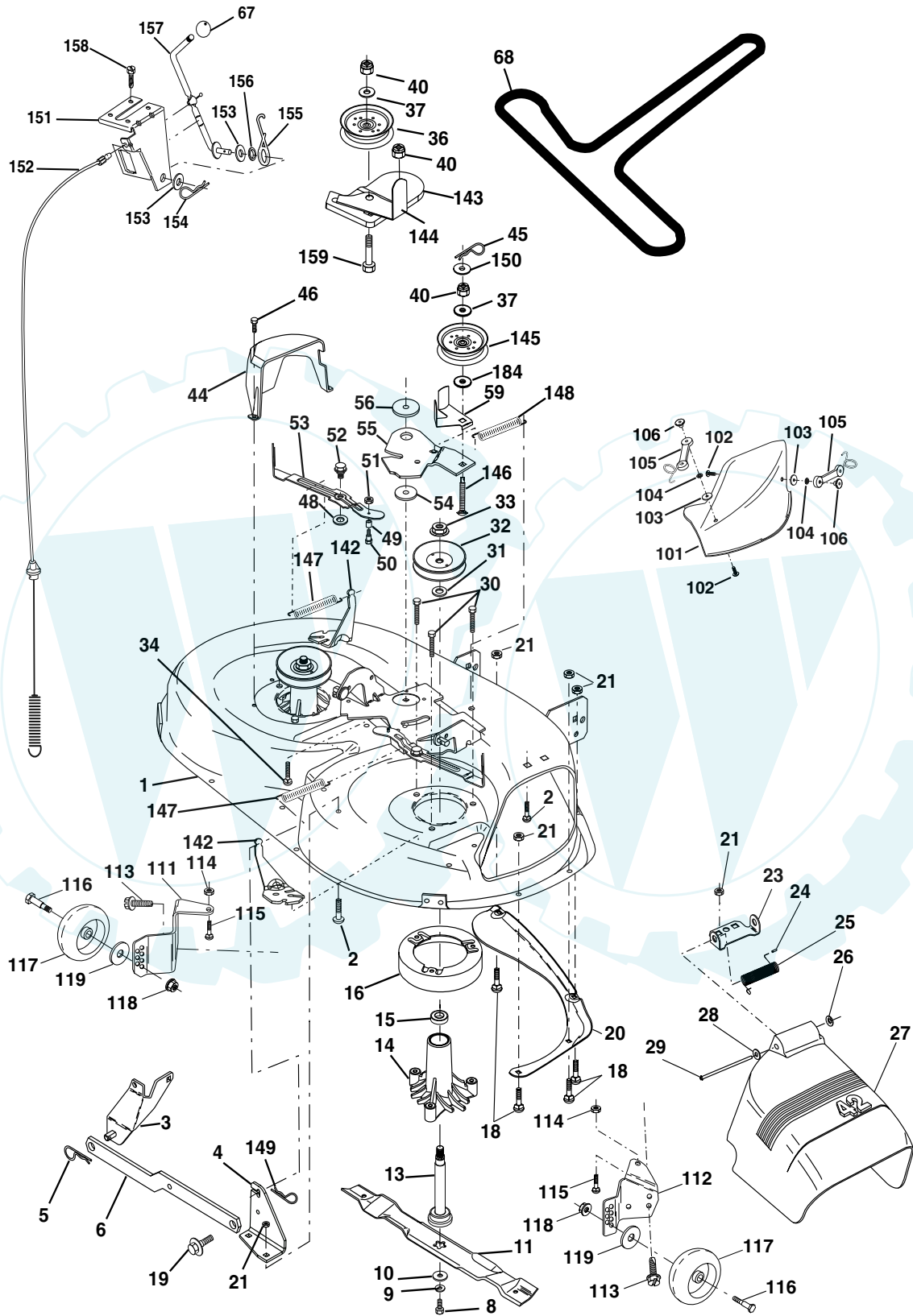
**TRACTOR - - MODEL NUMBER WA15542A, PRODUCT NUMBER 954 56 94-17  
LIFT ASSEMBLY**

| <b>KEY PART<br/>NO.</b> | <b>NO.</b> | <b>DESCRIPTION</b>            |
|-------------------------|------------|-------------------------------|
| 1                       | 159460     | Wire Asm Inner/Sprg w/Plunger |
| 2                       | 159471     | Shaft Asm Lift                |
| 3                       | 105767X    | Pin Groove                    |
| 4                       | 12000002   | E Ring #5133-62               |
| 5                       | 19211621   | Washer 21/32 x 1 x 21 Ga.     |
| 6                       | 120183X    | Bearing Nylon                 |
| 7                       | 109413X    | Grip Handle                   |
| 8                       | 124526X    | Button Plunger                |
| 11                      | 139865     | Link Lift Lh                  |
| 12                      | 139866     | Link Lift Rh                  |
| 13                      | 4939M      | Retainer Spring               |
| 15                      | 173288     | Link Front                    |
| 16                      | 73350800   | Nut Jam Hex 1/2-13 Unc        |
| 17                      | 175689     | Trunnion                      |
| 18                      | 73800800   | Nut Lock w/Wsh 1/2-13 Unc     |
| 19                      | 139868     | Arm Suspension Rear           |
| 20                      | 163552     | Retainer Spring               |
| 31                      | 169865     | Bearing Pvt Lift              |
| 32                      | 73540600   | Nut Crownlock 3/8-24          |

**NOTE:** All component dimensions given in U.S. inches  
1 inch = 25.4 mm



TRACTOR - - MODEL NUMBER WA15542A, PRODUCT NUMBER 954 56 94-17  
MOWER DECK



**TRACTOR -- MODEL NUMBER WA15542A, PRODUCT NUMBER 954 56 94-17  
MOWER DECK**

| KEY NO. | PART NO.   | DESCRIPTION                         | KEY NO. | PART NO. | DESCRIPTION   |
|---------|------------|-------------------------------------|---------|----------|---|
| 1       | 165892     | Mower Deck Assembly, 42"            | 59      | 141043   | Guard TUV Idler   |
| 2       | 72140506   | Bolt                                | 67      | 106932X  | Knob  |
| 3       | 138017     | Bracket Asm Fr. Sway Bar 3/42       | 68      | 144959   | V-Belt, 42" Mower   |
| 4       | 165460     | Bracket Asm Deck 42" Sway Bar       | 101     | 136420   | Mulcher Cover   |
| 5       | 4939M      | Retainer Spring                     | 102     | 71081010 | Screw Pan Hd Phillips<br>10-24 x 5/8  |
| 6       | 178024     | Bar Sway Deck                       | 103     | 19061216 | Washer Flat   |
| 8       | 850857     | Bolt 3/8-24 x 25 Grade 8<br>patched | 104     | 10071000 | Washer, Lock  |
| 9       | 10030600   | Washer, Lock                        | 105     | 160793   | Latch Assembly  |
| 10      | 140296     | Washer, Hardened                    | 106     | 2029J    | Nut, Weld   |
| 11      | 138498     | Blade                               | 111     | 179292   | Bracket, Gauge, Wheel LH  |
| 13      | 137645     | Shaft Assembly, Mandrel,<br>Vented  | 112     | 179293   | Bracket, Gauge, Wheel RH  |
| 14      | 128774     | Housing, Mandrel, Vented            | 113     | 17060510 | Screw Tapping 3/8-16 x .625   |
| 15      | 110485X    | Bearing, Ball, Mandrel              | 114     | 73510500 | Nut, Keps 5/16 - 18 UNC   |
| 16      | 174493     | Stripper, Mower Deck                | 115     | 72110505 | Bolt, Carriage 5/16-18 x 5/8  |
| 18      | 72140505   | Bolt, Carriage 5/16-18 x 5/8        | 116     | 4898H    | Bolt, Shoulder  |
| 19      | 132827     | Bolt, Shoulder                      | 117     | 165746   | Wheel, Gauge  |
| 20      | 159770     | Baffle, Vortex                      | 118     | 73930600 | Nut Centerlock 3/8-16   |
| 21      | 73680500   | Nut                                 | 119     | 19121414 | Washer 3/8 x 7/8 x 14 Ga.   |
| 23      | 177563     | Bracket, Deflector Mower 42"        | 142     | 165890   | Arm Spring Brake Mower  |
| 24      | 105304X    | Cap, Sleeve 80 x 112 Blk<br>Mower   | 143     | 157109   | Bracket Arm Idler 42"   |
| 25      | 123713X    | Spring, Torsion, Deflector 2 52     | 144     | 158634   | Keeper Belt 42" Clutch Cable  |
| 26      | 110452X    | Nut, Push Phos & Oil                | 145     | 165888   | Pulley Idler Flat   |
| 27      | 130968X428 | Shield, Deflector 42" Blk           | 146     | 171977   | Bolt Carriage Idler   |
| 28      | 19111016   | Washer 11/32 x 5/8 x 16 Gauge       | 147     | 131335   | Spring Extension  |
| 29      | 131491     | Rod, Hinge 42" 6 75 W/G             | 148     | 169022   | Spring Return Idler   |
| 30      | 173984     | Screw Thdrol Hex                    | 149     | 165898   | Retainer Spring Yellow  |
| 31      | 129963     | Washer, Spacer Mower Vented         | 150     | 19091216 | Washer 9/32 x 3/4 x 16 Ga.  |
| 32      | 153535     | Pulley, Mandrel                     | 151     | 169670   | Bracket Clutch Cable  |
| 33      | 178342     | Nut, Toplock                        | 152     | 169676   | Clutch Cable 42"  |
| 34      | 72110614   | Bolt                                | 153     | 169674   | Washer Flat 3/8" Type B   |
| 36      | 131494     | Pulley, Idler, Flat                 | 154     | 169675   | Spring Retainer   |
| 37      | 19131316   | Washer 13/32 x 13/16 x 16 Ga.       | 155     | 169671   | Spring Retention LVR CLTCH<br>CAB   |
| 40      | 73680600   | Nut                                 | 156     | 169672   | Spacer Clutch Cable   |
| 44      | 140088     | Guard, Mandrel, LH                  | 157     | 169669   | Rod Clutch Cable 3/8"   |
| 45      | 4497H      | Retainer                            | 158     | 17720408 | Screw Hex Thd Cut 1/4-20 x 1/2  |
| 46      | 137729     | Screw, Thdrol 1/4-20 x 5/8 T        | 159     | 72140614 | Bolt Rdhd Sqn<br>3/8-16 UNC x 1-3/4   |
| 48      | 133944     | Washer, Hardened                    | 184     | 19131410 | Washer 13/32 x 7/8 x 10 Ga.   |
| 49      | 174284     | Roller Assembly, Cam Follower       | --      | 130794   | Mandrel Assembly (Includes<br>Housing, Shaft and Shaft<br>Hardware Only - Pulley Not<br>Included) |
| 50      | 131340     | Bolt, Shoulder #10-24 Grade 5       | --      | 171491   | Replacement Mower, Complete   |
| 51      | 69180      | Locknut                             |         |          |   |
| 52      | 139888     | Bolt, Shoulder 5/16-18 UNC          |         |          |   |
| 53      | 131845     | Arm Assembly, Pad, Brake            |         |          |   |
| 54      | 178515     | Washer, Hardened                    |         |          |   |
| 55      | 155046     | Arm, Idler                          |         |          |   |
| 56      | 165723     | Spacer, Retainer                    |         |          |   |

**NOTE:** All component dimensions given in U.S.inches  
1 inch = 25.4 mm