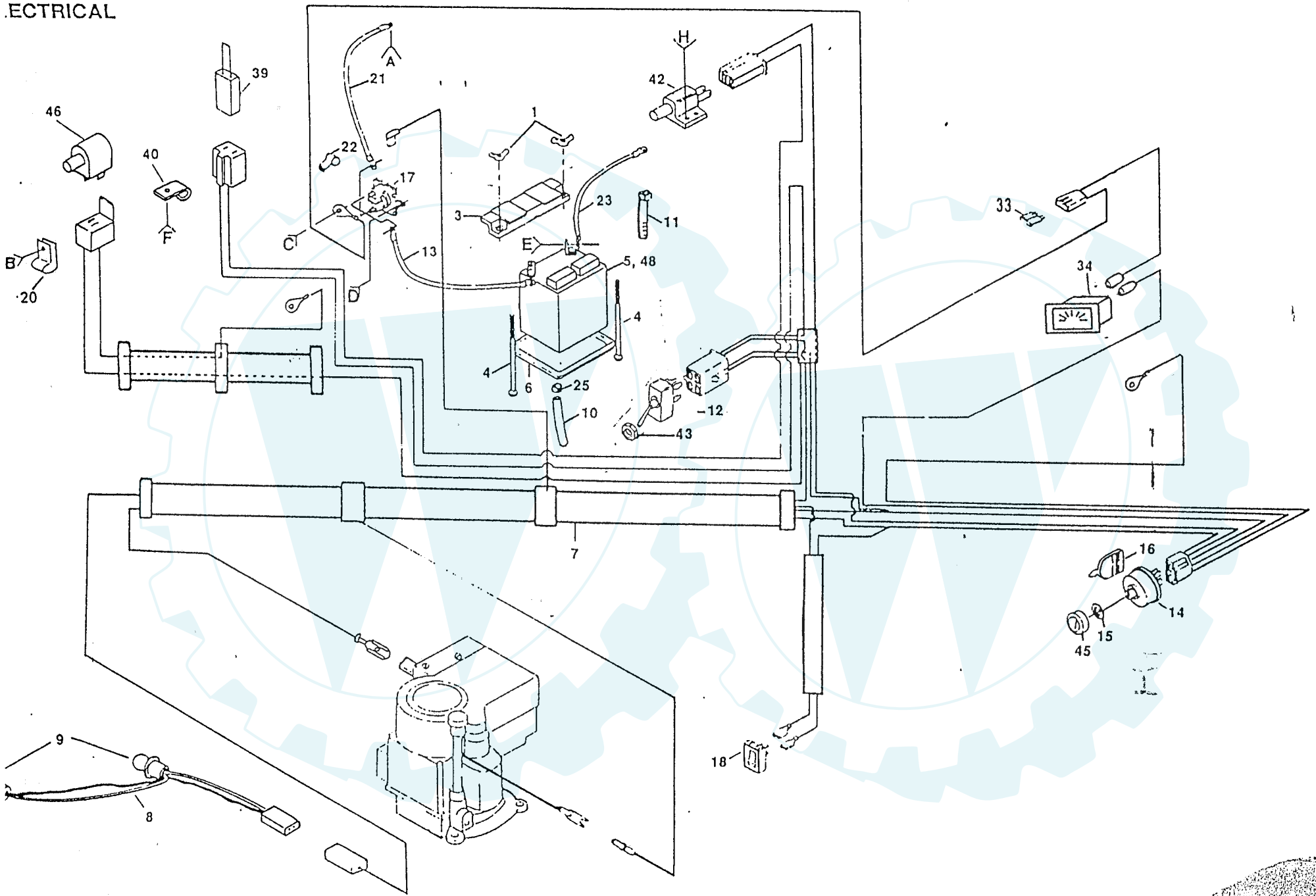


ELECTRICAL



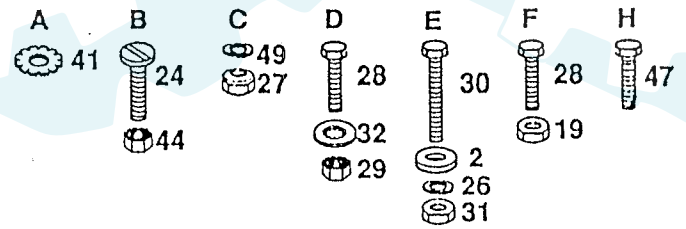
ELECTRICAL

KEY NO.	PART NO.	DESCRIPTION
1	532123198	* Nut, Wing 1/4-20
2	819091016	* Washer 9/32 x 5/8 x 16 Ga.
3	532102476	Terminal Guard
4	872240460	Bolt, Carriage 1/4-20 x 7-1/12
5	532121265	Battery 12V (Shipped dry; purchase battery acid locally)
6	532124886	Tray, Battery
7	532124262	Harness, Ignition
8	532110859	Harness, Light Socket
9	532004152	Bulb, Light
10	532100541	Tube, Tray, Battery
11	532124756	Tie, Cable
12	532004021	Switch, PTO
13	532108423	Cable, Battery (Battery to Solenoid)
14	532125104	Switch, Ignition
15	532109788	Nut, Ignition
16	532122147	Key
17	532109081	Solenoid
18	532110712	Switch, Light
19	873680400	* Nut, Hex 1/4-20
20	532004171	Clip, Wire
21	532124780	Cable, Battery (Solenoid to Starter)
22	532124783	Cover, Terminal (For Solenoid)
23	532124773	Cable, Battery (To Ground)
24	874641008	Screw, Pan Head 10/32 x 1/2 UNF
25	532109596	Clamp, Hose
26	810040400	* Washer, Lock 1/4

KEY NO.	PART NO.	DESCRIPTION
27	873350400	* Nut, Hex, Jam 1/4-20
28	874780408	* Bolt, Hex 1/4-20 x 1/2 Gr. 5
29	873510400	* Nut, Hex, Keps 1/4-20
30	874760412	* Bolt, Hex 1/4-20 x 3/4
31	873220400	* Nut, Hex 1/4-20
32	811050400	Washer, Lock, Int. Tooth 1/4-20
33	532108824	Fuse, 30 Amp
34	532122822	Ammeter
39	532102501	Loop, Wire
40	532124995	Clip, Insulated
41	811050600	Washer, Lock, Ext. Tooth 3/8
42	532104445	Switch, Interlock, Clutch Pedal
43	532004022	Nut, Hex
44	873951000	* Nut, Keps #10-32 UNF
45	532109787	Bezel, Ignition
46	532121305	Switch, Plunger
47	817021008	Screw, Hex, Tapping #10-24 x 1/2
48	532121264	Caps Set, Battery
49	810090400	Washer, Lock 1/4
---	532124277	Manual, Owner's, English
---	532124278	Manual, Parts, English
---	532101539	Sheet, Instruction, Tractor 15° Slope, English

\* STANDARD HARDWARE—PURCHASE LOCALLY

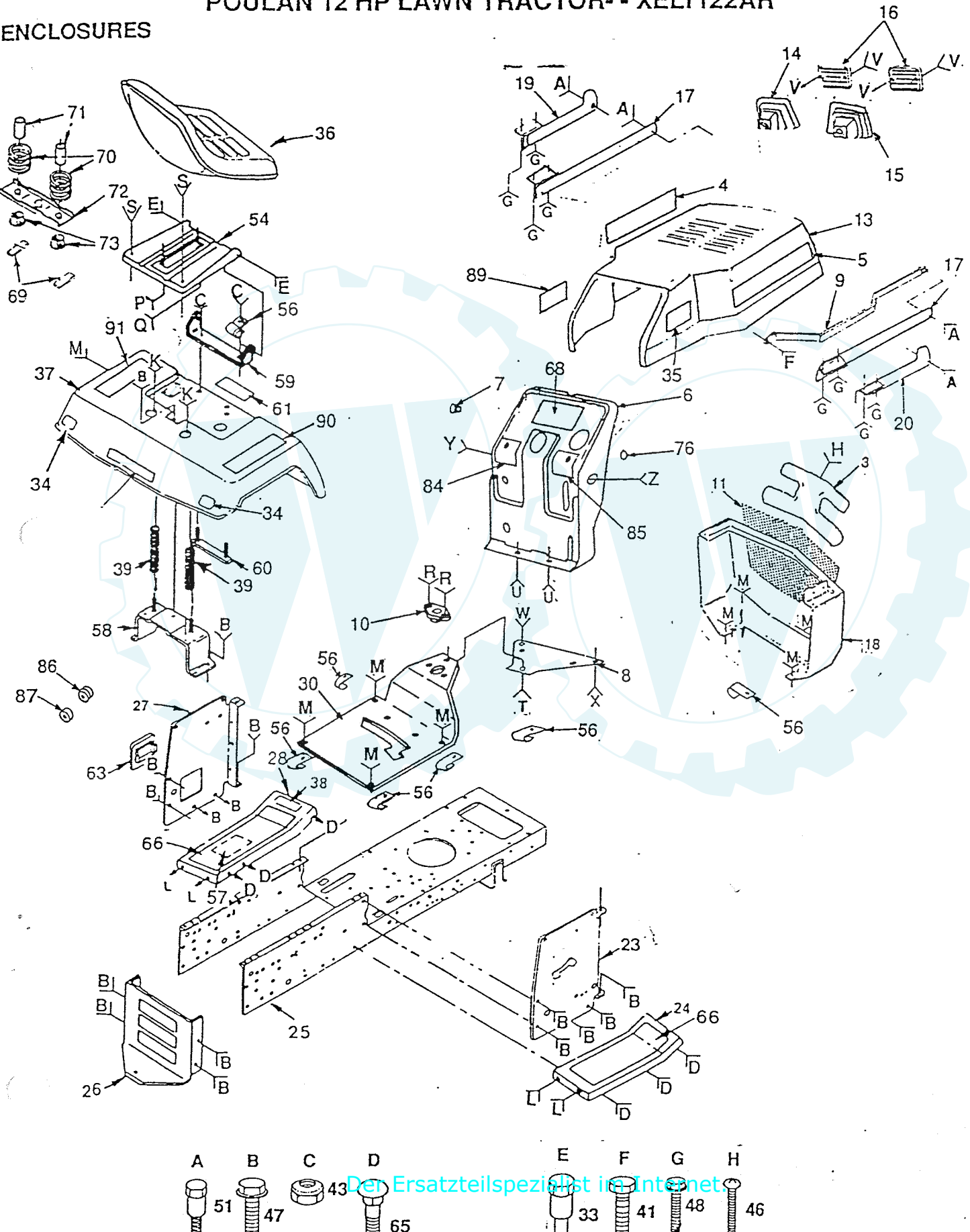
NOTE: All component dimensions given in U.S. inches.  
1 inch = 25.4 mm



# REPAIR PARTS

## POULAN 12 HP LAWN TRACTOR - - XEL1122AR

### ENCLOSURES



# REPAIR PARTS

## POULAN 12 HP LAWN TRACTOR- - XEL1122AR

### ENCLOSURES

**KEY PART NO. NO.**

**DESCRIPTION**

1	819131416	Washer 13/32 x 7/8 x 16 Ga.
2	532125710	Decal
3	532124227	Insert, Grill
4	532125714	Decal, Hood, Poulan, L.H.
5	532125715	Decal, Hood, Poulan, R.H.
6	532122341	Dash
7	532008022	Plug, Dash
8	532106965	Plate, Support, Battery
9	532122196	Brace, Grill
10	532001554	Bushing, Steering
11	532101234	Screen, Grill
12	817431008	Screw, Hex #10-16 x 1/2
13	532124909	Hood
14	532124910	Bezel, L.H.
15	532125069	Bezel, R.H.
16	532109671	Lens
17	532124921	Strap Assembly, Hinge, Rear
18	532124920	Grill Assembly
19	532124918	Strap Assembly, Hinge, L.H.
20	532125065	Strap Assembly, Hinge, R.H.
21	819171912	Washer 17/32 x 1-3/16 x 12 Ga.
22	810040800	* Washer, Lock 1/2
23	532110828	Panel, Dash, R.H.
24	532125037	Footrest, R.H.
25	532124355	Chassis
26	532121306	Drawbar
	532124118	Panel, Dash, L.H.
	32125041	Footrest, L.H.
29	873680500	Locknut 5/16-18
30	124587014	Saddle
31	819131614	Washer 13/32 x 1 x 14 Ga.
32	532121144	Bolt, Shoulder
33	532105529	Bolt, Shoulder
34	532106202	Reflector
35	532124272	Decal, HP, R.H.
36	532121442	Seat
37	532125077	Fender
38	532004900	Decal, Clutch/Brake
39	532124181	Spring, Seat
40	873680600	* Nut, Crownlock 3/8-16
41	874760612	* Bolt, Hex 3/8-16 x 3/4
42	819131312	Washer 13/32 x 13/16 x 12 Ga.
43	873680600	Locknut 3/8-16
44	874760616	* Bolt, Hex 3/8-16
45	819090816	Washer 9/32 x 1/2 x 16 Ga.
46	817511208	Screw, Hex, Slotted #12 x 1/2
47	817490612	Screw, Hex, Washer Hd. 3/8-16 x 3/4

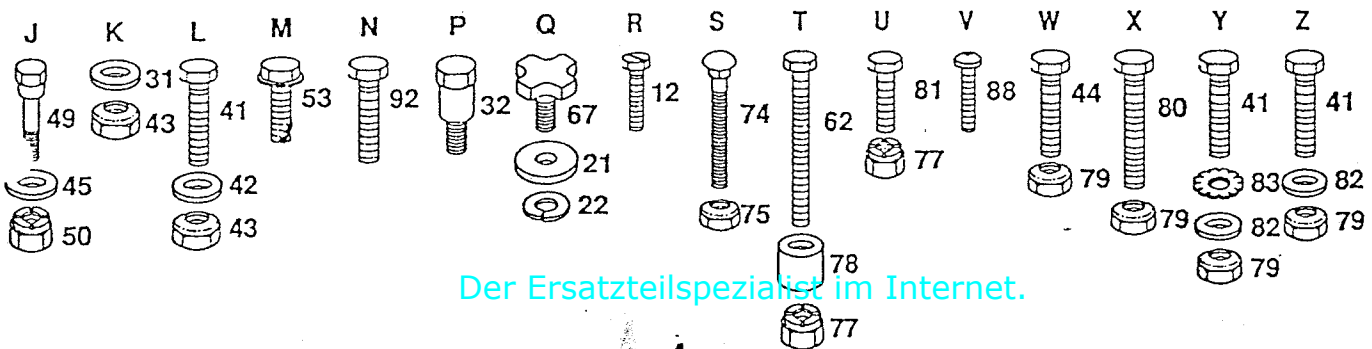
**KEY PART NO. NO.**

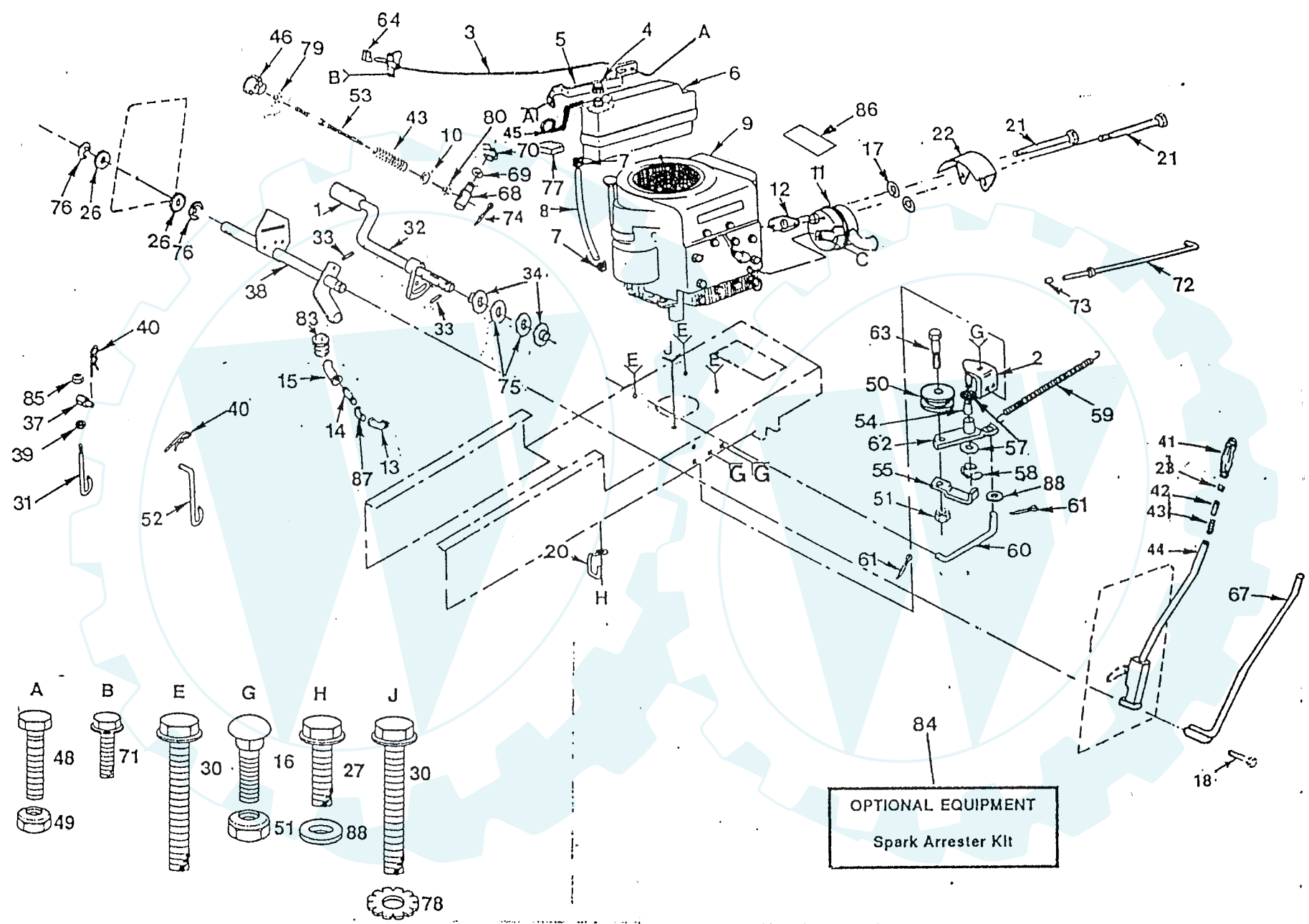
**DESCRIPTION**

48	817411310	Screw, Hex, Washer Hd., Special
49	532124549	Bolt, Shoulder
50	873680400	Locknut 1/4-20
51	532124815	Bolt, Shoulder 1/4-20
52	532008019	Washer 7/32 x 5/8 x 16 Ga.
53	817490608	Screw, Hex, Washer Hd. 3/8-16 x 1/2
		Pan, Seat
54	532121247	Clip
56	532124996	Decal, V-Belt, Ground Drive
57	532109199	Bracket Assembly, Fender
58	532105509	Bracket, Pivot, Seat
59	532105513	Strap Assembly, Fender
60	532105511	Decal, Caution
61	532106974	Bolt, Hex 5/16-18 x 2
62	874760532	Cover, Access
63	532121794	* Bolt, Carriage 3/8-16 x 3/4
65	872140606	Pad, Footrest
66	532108256	Knob, Seat
67	532120068	Decal, Dash
68	532123175	Foam, Strip
69	532121251	Spring
70	532121250	Spacer
71	532121249	Bracket, Switch
72	532121246	Bushing, Snap
73	532121248	Bolt, Carriage 1/4-20 x 1 x 1-1/4
74	872170410	Locknut, Flange
75	532123976	Plug, Dash
76	532005479	Nut, Keps 5/16-18
77	873510500	Spacer
78	532121236	Nut, Keps 3/8-16
79	873510600	Bolt, Hex 3/8-16 x 1-1/4
80	874760620	Screw, Machine 5/16-18 x 3/4
81	874180512	Washer 13/32 x 13/16 x 16 Ga.
82	819131316	Washer, Lock, Ext. Tooth 3/8
83	811050600	Decal, Attachment, Clutch
84	532125772	Decal, Attachment, Lift
85	532125771	Grommet, Split
86	532110436	Grommet
87	532009151	Screw, Pan Head #8-18 x 1/2
88	817990808	Decal, HP, L.H.
89	532124271	Decal, Fender, R.H.
90	532125712	Decal, Fender, L.H.
91	532125711	Screw, Hex 3/8-16 x 1
92	817490616	

\* STANDARD HARDWARE—PURCHASE LOCALLY

NOTE: All component dimensions given in U.S. inches.  
1 inch = 25.4 mm





## POULAN 12 HP LAWN TRACTOR- - XEL1122AR

## OVER AND MECHANICAL CONTROLS GROUP

KEY NO.	PART NO.	DESCRIPTION	KEY NO.	PART NO.	DESCRIPTION
1	532124872	Cover, Pedal	46	532121891	Handle, Adjust, Lift
2	532123102	Bracket Assembly, Clutch	48	874780512	* Bolt, Hex 5/16-18 x 3/4 Gr. 5
3	532121275	Control, Throttle	49	873680500	Locknut 5/16-18 Gr. B
4	532008504	Cap, Fuel	50	532123766	Pulley, Idler
5	532007155	Support, Tank, Fuel	51	873680600	Nut 3/8-16
6	532121280	Tank, Fuel	52	532110029	Link, Lift
7	532123487	Clamp, Hose	53	532110729	Rod, Adjust, Lift
8	532005277	Line, Fuel	54	532105706	Bearing
9	532124149	Engine, Briggs & Stratton, Model No. 281707, Type No. 1413-0	55	532123205	Retainer, Belt
10	819131016	* Washer 13/32 x 5/8 x 16 Ga.	57	532110812	Washer, Hardened
11	532121304	Muffler	58	812000039	Ring, Klip
12	532125593	Gasket, Exhaust	59	532105709	Spring, Return, Clutch
13	813240300	Elbow, Street	60	532105710	Link, Clutch
14	813280328	Nipple, Pipe, STD 3/8-18 NPT x 3-1/2	61	876020412	Pin, Cotter 1/8 x 3/4
15	813200300	Elbow, STD 90° 3/8-18 NPT	62	532123789	Arm, Idler
16	872140606	* Bolt, Carriage 3/8-16 x 3/4	63	874760624	* Bolt, Hex 3/8-16 x 1-1/2
17	819151616	Washer 15/32 x 1 x 16 Ga.	64	532061159	Knob, Control, Throttle
18	874780624	Bolt, Hex 3/8-16 x 1-1/2	67	532121006	Rod, Lever
20	532104777	Retainer, Belt, Chassis, LH.	68	532110810	Trunnion, Stop, Depth
21	531221744	Bolt, Shoulder	69	819151216	* Washer 15/32 x 3/4 x 16 Ga.
22	532121742	Muffler, Heat Shield	70	812000037	Ring, Klip
23	532124526	Button, Plunger	71	817720410	Screw, Hex, Washer Hd., Thd. Cut. 1/4-20 x 5/8
26	819292016	Washer 29/32 x 1-1/4 x 16 Ga.	72	532105844	Rod, Brake, Park
27	817490612	Screw, Hex, Washer Hd., Thd. Roll. 3/8-16 x 3/4	73	532071673	Cap, Plunger
30	817490620	Screw, Hex, Washer Hd., Thd. Roll. Type TT 3/8-16 x 1-1/4	74	876020308	Pin, Cotter 3/32 x 1/2
31	532110448	Link, Lift, Adjustable	75	819211616	Washer 21/32 x 1 x 16 Ga.
32	532122424	Shaft, Pedal, Foot	76	812000022	E-Ring
33	532001572	Pin, Roll 3/16 x 1	77	532106082	Pad, Spacer
34	532120183	Bearing, Nylon	78	811050600	Washer, Lock, Ext. Tooth 3/8
37	532110447	Trunnion, Lift	79	873350600	Nut, Hex, Jam 3/8-16
38	532121000	Shaft Assembly, Lift	80	532110807	Nut, Special
39	873360700	Nut, Hex, Jam 7/16-20	83	813290300	Plug, Oil Drain
40	532124670	Retainer, Spring	84	532100091	Spark Arrester Kit
41	532109413	Grip, Handle	85	873710700	Nut, Jam, Crownlock 7/16-20
42	532122364	Plunger, Lever, Hand	86	532121120	Decal, Maintenance
43	532124874	Spring	87	813310300	Elbow, Street, 45°
44	532121002	Lever Assembly, Hand Kit (Includes Key No. 67)	88	819131316	Washer 13/32 x 13/16 x 16 Ga.
45	532124170	Brace, Tank			

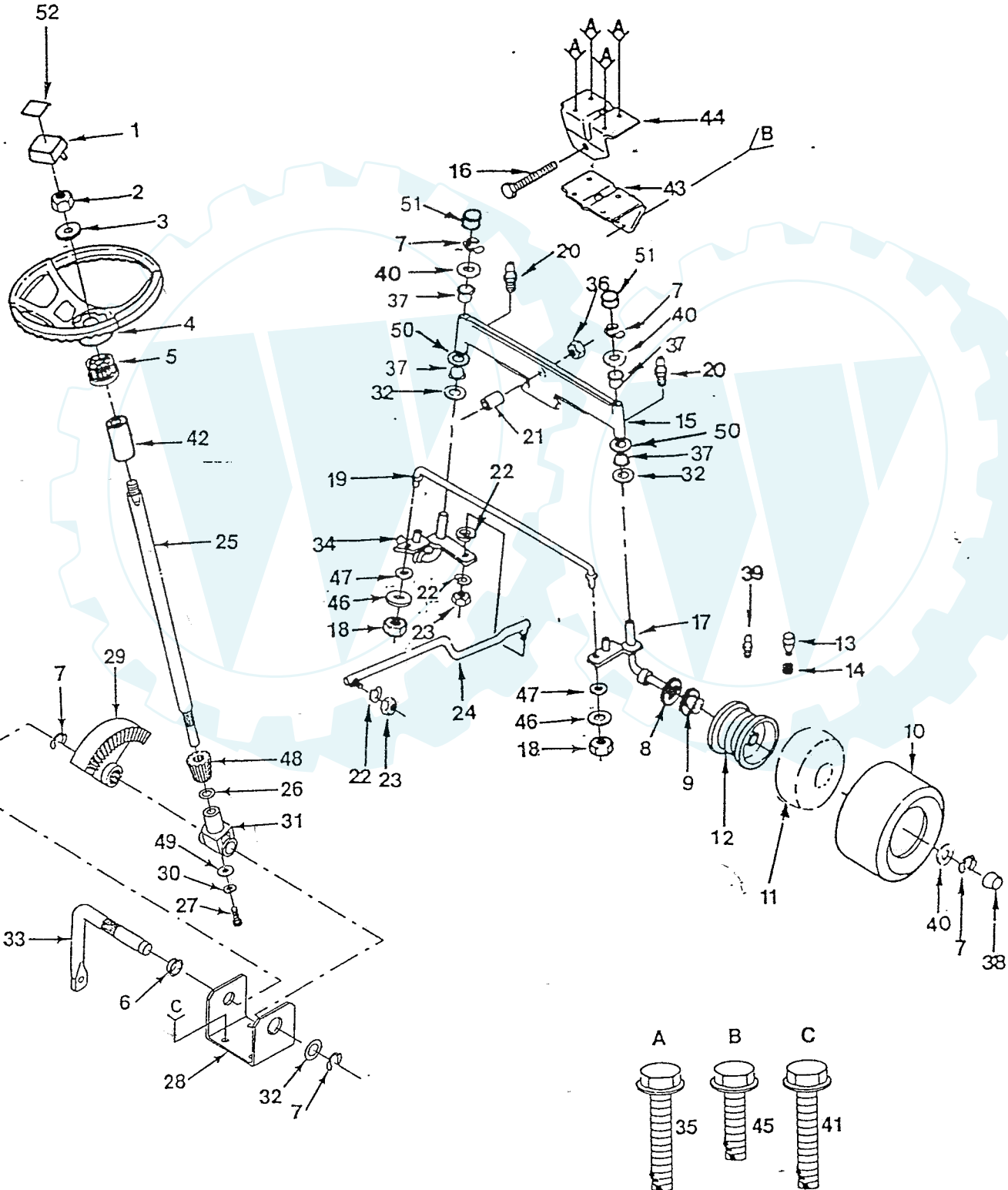
\* STANDARD HARDWARE—PURCHASE LOCALLY

NOTE: All component dimensions given in U.S inches.  
1 inch = 25.4 mm

# REPAIR PARTS

## POULAN 12 HP LAWN TRACTOR- - XEL1122AR

### STEERING, FRONT AXLE, AND WHEELS



# REPAIR PARTS

## POULAN 12 HP LAWN TRACTOR- - XEL1122AR

### STEERING, FRONT AXLE, AND WHEELS



KEY PART NO.	KEY PART NO.	DESCRIPTION	KEY PART NO.	KEY PART NO.	DESCRIPTION
1	532100710	Insert, Steering Wheel	30	810040400	Washer, Lock 14
2	873940800	Nut, Hex, Jam, Toplock 1/2-20	31	532124035	Support, Shaft
3	532100712	Washer 17/32 x 2-1/4 x .160	32	532124931	Bearing, Thrust
4	532100713	Steering Wheel	33	532124033	Shaft, Pitman
5	532110711	Adapter, Steering Wheel	34	532105656	Spindle Assembly, L.H.
6	532109816	Nyliner, Snap-in	35	532122819	Screw, Hex, Washer Hd., Thd. Form. Type TT 3/8-16 x 3/4
7	812000029	Ring, Klip	36	873901000	Nut, Flange 5/8-11
8	532121749	Washer 25/32 x 1-1/4 x 16 Ga.	37	532003366	Bearing
9	532009040	Bearings, Wheel, Front	38	532104757	Cap, Hub, Front
10	532106222	Tire 15 x .00-6 (Tubeless)	39	532000278	Fitting, Grease
11	532059904	Tube (Not furnished w/Tractor)	40	532121748	Washer 25/32 x 1-5/8 x 16 Ga.
12	532125021	Rim Assembly, Front, 6" (Includes 2 each Key No. 9)	41	817490612	Screw, Hex, Washer Hd., Thd. Form. 3/8-16 x 3/4
13	532065139	Stem, Valve	42	532100714	Tube, Shaft, Steering
14	532059192	Cap, Valve	43	532105664	Support, Saddle, Front
15	532108076	Axle Assembly, Front	44	532105663	Support, Saddle, Rear
16	874761060	Bolt, Hex 5/8-11 x 3-3/4	45	817490508	Screw, Hex, Washer Hd., Thd. Roll. 5/16-18 x 1/2
17	532105654	Spindle Assembly, R.H.	46	810040500	Washer, Lock 5/16
18	873810500	Nut, Hex 5/16-24	47	819111216	11/32 x 3/4 x 16 Ga.
19	532121334	Rod, Tie	48	532124037	Gear, Pinion
20	532124836	Fitting, Grease	49	819091116	Washer 9/32 x 11/16 x 16 Ga.
21	532110438	Spacer, Bearing, Axle, Front	50	819272016	Washer 27/32 x 1-1/4 x 16 Ga.
22	*10040600	* Washer, Lock 3/8	51	532121232	Cap, Spindle
23	73610600	* Nut, Hex 3/8-24	52	532124234	Decal, Steering
24	532124032	Link, Drag			
25	532124041	Shaft, Steering			
26	532057079	Washer			
27	871070410	Screw, Hex, Socket 1/4-20 x 5/8			
28	532124036	Bracket, Assembly, Steering			
29	532124034	Gear, Sector			

\* STANDARD HARDWARE—PURCHASE LOCALLY

NOTE: All component dimensions given in U.S. inches.  
1 inch = 25.4 mm

532108684 Sector on early production.  
532108683 Sty. Rod/Pitman arm on early production.  
532106126 Woodruff Key for above.

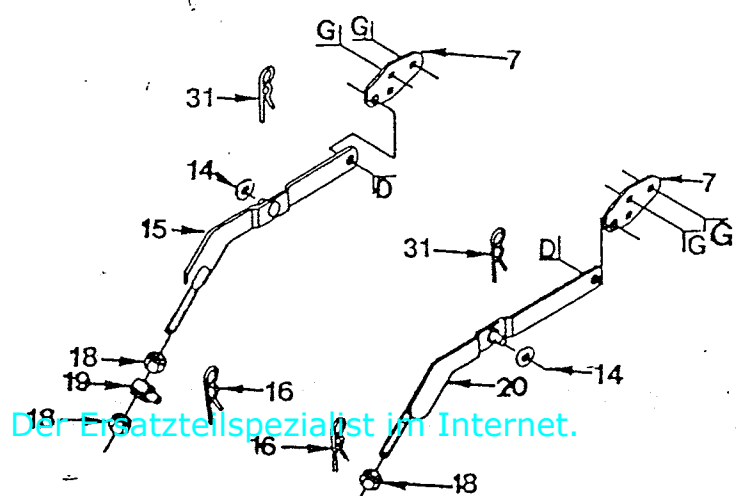
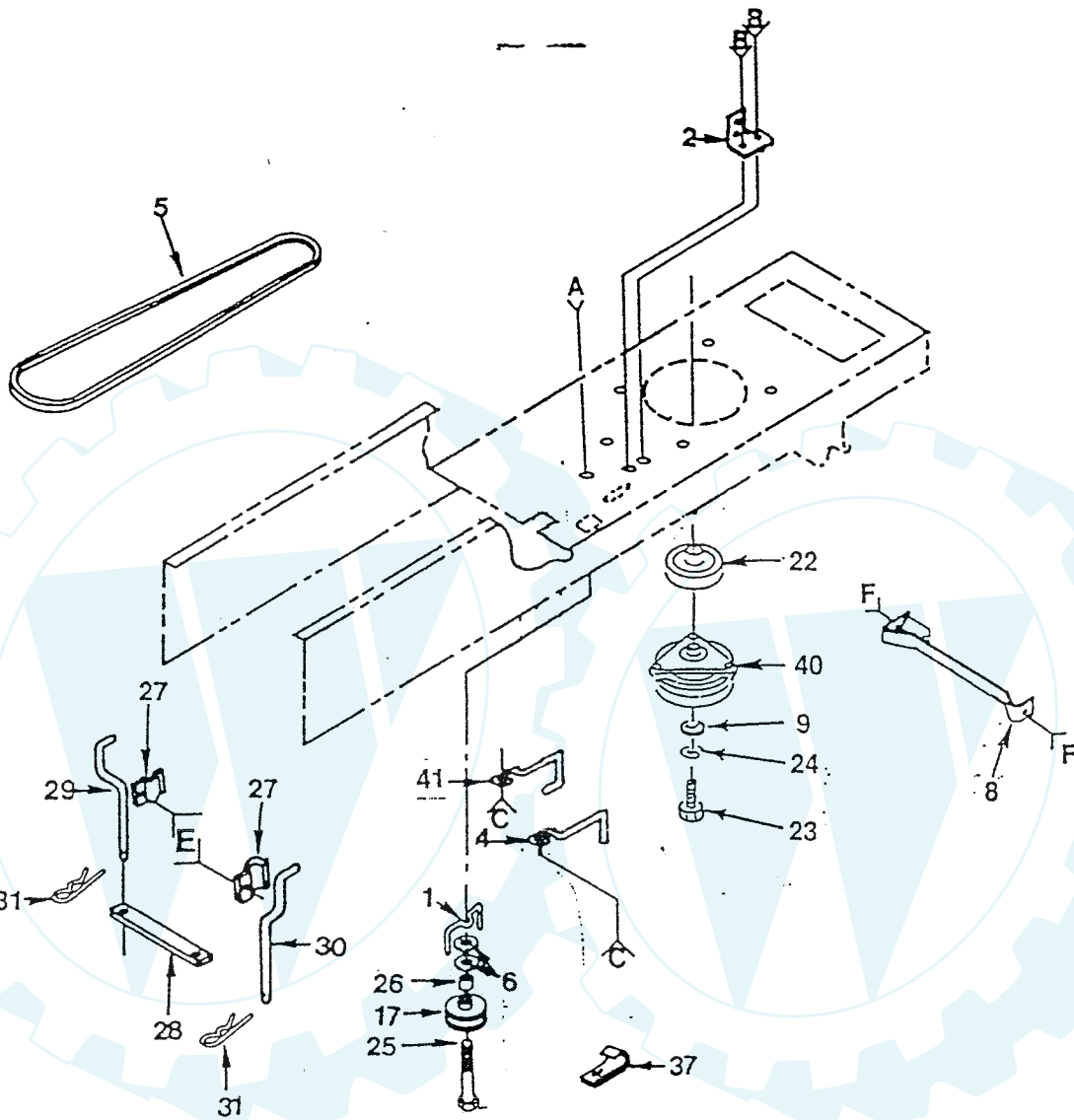
on serial number 3419501298



# REPAIR PARTS

## POULAN 12 HP LAWN TRACTOR - - XEL1122AR

### DRIVE GROUP



# REPAIR PARTS

## POULAN 12 HP LAWN TRACTOR- - XEL1122AR

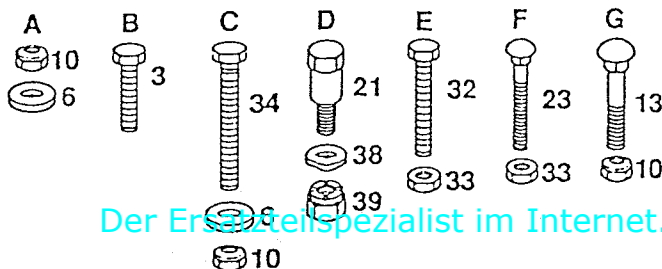


### DRIVE GROUP

KEY NO.	PART NO.	DESCRIPTION
1	532109070	Keeper, Belt
2	532108236	Bracket, Switch
3	817021008	Screw, Hex, Tapping #10-24 x 1/2
4	532105730	Keeper, Belt, Engine, R.H.
5	532125907	V-Belt, Drive
6	819131312	Washer 13/32 x 13/16 x 12 Ga.
7	532105864	Bracket, Suspension
8	532109169	Retainer, Clutch
9	532108252	Washer 15/32 x 1-3/8 x 1/4
10	873680600	Nut, Crownlock 3/8-16
12	874610764	* Bolt, Hex 7/16-20 x 4
13	872140606	Bolt, Round Hd., Sq. Neck 3/8-16 x 3/4
14	819171516	Washer 17/32 x 15/16 x 16 Ga.
15	532121599	Arm Assembly, Suspension, L.H.
16	532009135	Retainer, Spring
17	532123674	Idler, Flat
18	873220800	* Nut, Hex 1/2-13
19	532106308	Trunnion, Lift, Lower
20	532121598	Arm Assembly, Suspension, R.H.
21	532105848	Bolt, Shoulder 3/8-16
22	532109841	Pulley, Engine
23	872140506	Bolt, Carriage 5/16-18 x 3/4
24	810040700	* Washer, Lock
25	874760644	* Bolt, Hex 3/8-16 x 2-3/4
26	532004470	Spacer
27	532106190	Clamp
28	532123770	Strap, Locator
29	532123662	Keeper, Belt, L.H.
30	532123663	Keeper, Belt, R.H.
31	532004921	Spring, Retainer
32	874760512	* Bolt, Hex 5/16-18 x 3/4
33	873680500	Locknut 5/16-18
34	874760616	* Bolt, Hex 3/8-16 x 1
38	532110739	Washer, Spring
39	873980600	Locknut, Flange 3/8
40	532108218	Clutch, Electric
41	532121218	Keeper, Belt, Engine, L.H.

\* STANDARD HARDWARE—PURCHASE LOCALLY

NOTE: All component dimensions given in U.S. inches.  
1 inch = 25.4 mm

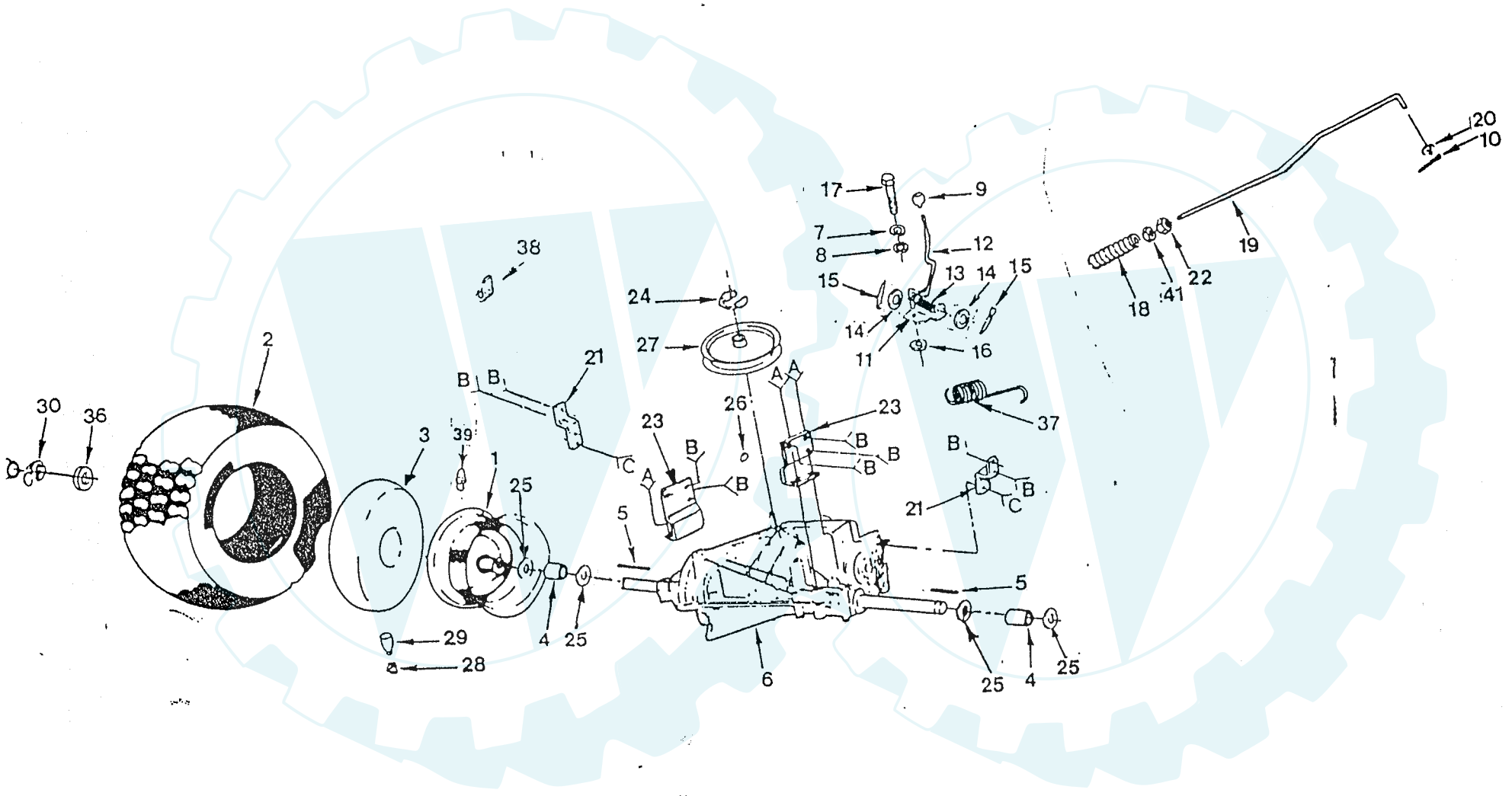


# REPAIR PARTS

## POULAN 12 HP LAWN TRACTOR - XELTZAR

### TRANSAXLE AND REAR WHEEL

[www.ersatzteil-service.de](http://www.ersatzteil-service.de)



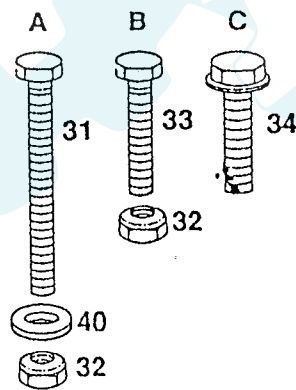
TRANSAXLE AND REAR WHEEL

KEY NO.	PART NO.	DESCRIPTION
1	532106272	Rim Assembly, Rear, 8"
2	532106268	Tire 18 x 9.50-8 (Tubeless)
3	532007152	Tube, Tire (Not furnished with Tractor)
4	532109502	Spacer, Split
5	532123583	Key, Square
6	532120898	Transaxle, Foote Dana, Model No. 4360-7, 6-Speed (See pgs. 15-16 for parts breakdown)
7	810040400	* Washer, Lock 1/4
8	819091210	Washer 9/32 x 3/4 x 10 Ga.
9	532121274	Knob, Control
10	876020412	Pin, Cotter 1/8 x 3/4
11	532106919	Plate, Rod, Shift
12	532124461	Rod, Shifter
13	532105700	Spring, Torsion
14	819151216	Washer 15/32 x 3/4 x 16 Ga.
15	876020416	* Pin, Cotter 1/8 x 1
16	532105701	Washer, Shift Plate
17	871040412	Bolt, Hex 14-28 x 3/4 Gr. 8
18	532106888	Spring, Rod, Brake
19	532110437	Rod, Brake
20	819131316	* Washer 13/32 x 13/16 x 16 Ga.
21	532121520	Strap, Torque

KEY NO.	PART NO.	DESCRIPTION
22	873350600	Nut, Hex, Jam 3/8-16
23	532109167	Bracket, Transaxle
24	812000028	Ring, Retainer
25	532121749	Washer 25/32 x 1-1/4 x 16 Ga.
27	532123666	Pulley, Input, Transaxle
28	532059192	Cap, Valve
29	532065139	Stem, Valve
30	812000001	E-Ring
31	874760644	* Bolt, Hex 3/8-16 x 2-3/4
32	873680600	Nut 3/8-16
33	874760612	* Bolt, Hex 3/8-16 x 3/4
34	817490512	Screw, Hex, Washer Hd., Thd. Form. Type TT 5/16-18 UNC x 3/4
35	532104757	Cap, Hub, Rear
36	532121748	Washer 25/32 x 1-5/8 x 16 Ga.
37	532110422	Spring, Brake Return
38	532124996	Clip, Fuel Line
39	532000278	Fitting, Grease
40	819111214	Washer 11/32 x 3/4 x 14 Ga.
41	873800600	Locknut 3/8-16

\* STANDARD HARDWARE—PURCHASE LOCALLY

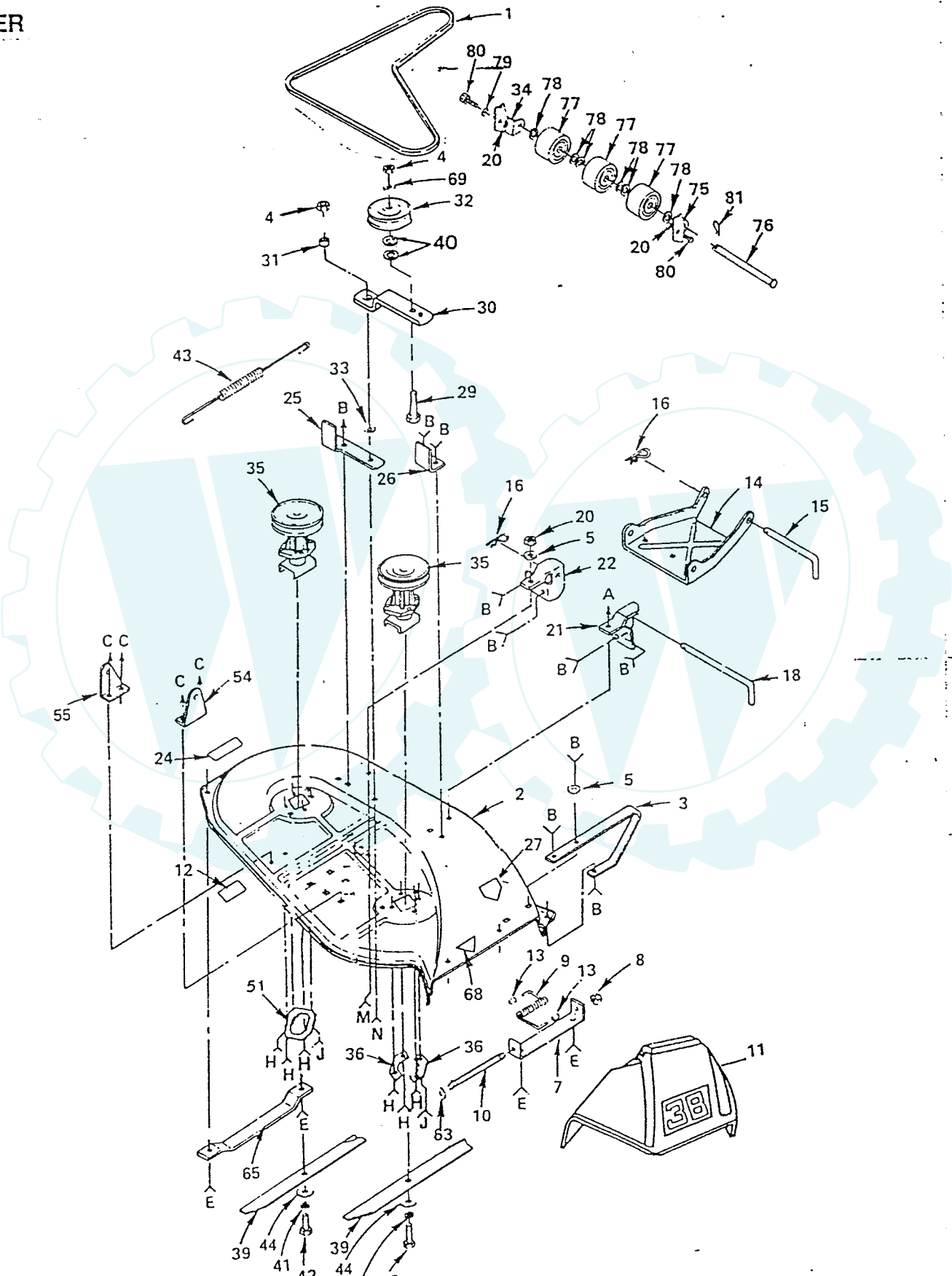
NOTE: All component dimensions given in U.S. inches.  
1 inch = 25.4 mm



# REPAIR PARTS

## POULAN 12 HP LAWN TRACTOR - - XEL1122AR

38" MOWER



# REPAIR PARTS

## POULAN 12 HP LAWN TRACTOR- - XEL1122AR

307 0WER

KEY PART NO.	NO.	DESCRIPTION
1	532106085	V-Belt
2	532121458	Housing
3	532008417	Runner, R.H.
4	873680600	Locknut 3/8-16
5	819111216	Washer 11/32 x 3/4 x 16 Ga.
6	872140505	Bolt, Carriage 5/16-18 x 5/8
7	532105896	Bracket, Deflector
8	532110452	Nut, Push
9	532106734	Spring, Deflector
10	532106735	Rod, Hinge
11	532106736	Deflector, Shield
12	532108682	Decal, Schematic, V-Belt
13	532105304	Cap, Sleeve
14	532105662	Link, Parallel
15	532105744	Pin, Hinge, Front
16	532004921	Spring, Retainer
18	532109835	Pin, Hinge, Rear
20	873680500	Locknut 5/16-18
21	532109598	Bracket, Lift, R.H.
22	532109597	Bracket, Lift, L.H.
23	872140506	* Bolt, Carriage 5/16-18 x 3/4
24	532003713	Decal, Instruction, Caution
25	2109503	Support, Arm
26	2109504	Stop, Deck, Front
27	-----	Decal, Safety Standard
29	874760636	* Bolt 3/8-16 x 2
30	532123552	Arm, Idler
31	532106902	Spacer
32	532121316	Pulley, Idler
33	532106513	Washer, Wear 1/16
34	532109646	Bracket, Nose Roller, L.H.
35	532121687	Mandrel Assembly

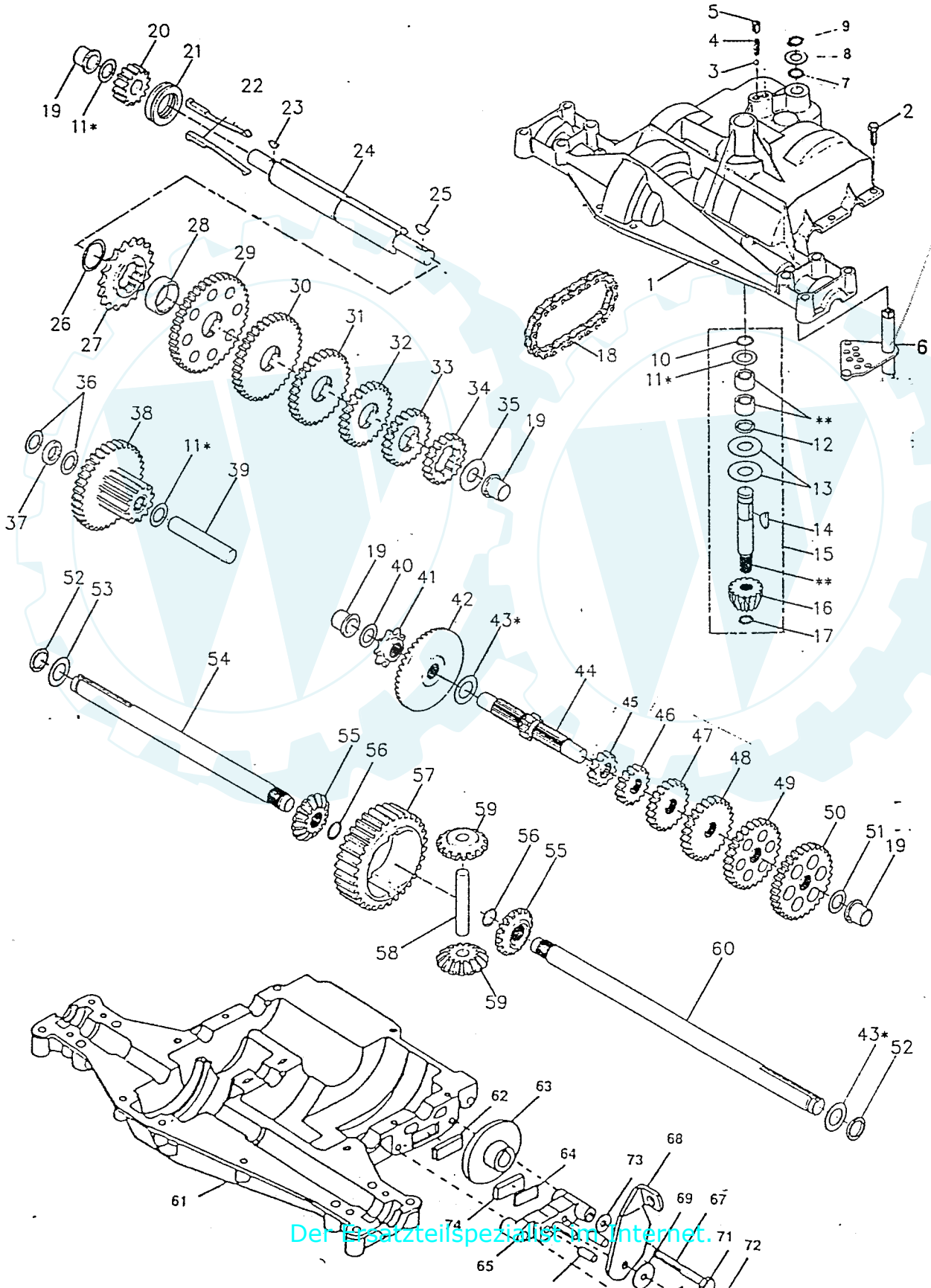
KEY PART NO.	NO.	DESCRIPTION
36	532100668	Plate, Support, Mandrel
37	817490614	Screw, Hex, Washer Hd. 3/8-16 x 7/8
38	817490620	Screw, Hex, Washer Hd. 3/8-16 x 1-1/4
39	532121263	Blade 38"
40	819131210	Washer 13/32 x 1-3/4 x 10 Ga.
41	810030600	Washer, Lock 3/8
42	874610624	* Bolt, Hex 3/8-24 x 1-1/2 Gr. 5
43	532102727	Spring, Extension
44	819132012	Washer 3/8 x 1-1/4 x 12 Ga.
50	872140606	* Bolt, Carriage 3/8-16 x 3/4
51	532110445	Plate, Support
54	532105857	Bracket, Suspension, Rear, R.H.
55	532108673	Bracket, Suspension, Rear, L.H.
63	819111016	Washer 11/32 x 5/8 x 16 Ga.
65	532125074	Runner, L.H.
67	872140610	Bolt, Carriage 3/8-16 x 1-1/4
68	532121343	Decal, Warning
69	819131316	Washer 13/32 x 13/16 x 16 Ga.
75	532109647	Bracket, Nose Roller, R.H.
76	532109776	Pin, Pivot
77	532109729	Roller, Nose
78	819151610	Washer 15/32 x 1 x 10 Ga.
79	819161616	Washer 1/2 x 1 x 16 Ga.
80	874760512	Bolt, Hex 5/16-18 x 3/4
81	876020412	Pin, Cotter 1/8 x 3/4

\* STANDARD EQUIPMENT—PURCHASE LOCALLY

NOTE: All component dimensions given in U.S. inches.  
1 inch = 25.4 mm

# REPAIR PARTS

## POULAN 12 HP LAWN TRACTOR - - XEL1122AR TRANSAXLE - FOOTE DANA, MODEL NO. 4360-7



# REPAIR PARTS

## POULAN 12 HP LAWN TRACTOR- - XEL1122AR TRANSAXLE - FOOTE DANA, MODEL NO. 4360-7

KEY NO.	DANA PART NO.	DESCRIPTION
1	3865	Housing, Upper
2	1919	Screw, Tapping 1/4-20 x .734 Lg.
3	1151	Ball, Detent
4	3626	Spring, Detent
5	3623	Screw, Set
6	4338	Assembly, Shifter
7	3884	O-Ring
8	3885	* Washer, Plain .505 x .942 x .006
8	3886	* Washer, Plain .505 x .942 x .010
8	3887	* Washer, Plain .505 x .942 x .015
8	3888	* Washer, Plain .505 x .942 x .020
8	3889	* Washer, Plain .505 x .942 x .026
8	3121	* Washer, Plain .505 x .942 x .030
8	3890	* Washer, Plain .505 x .942 x .040
9	1100	Ring, Retaining
10	1099	Ring, Retaining
11	1959	* Washer, Plain .632 x 1.00 x .010
11	1441	* Washer, Plain .632 x 1.00 x .020
11	1423	* Washer, Plain .632 x 1.00 x .026
11	1082	* Washer, Plain .632 x 1.00 x .031
	1424	* Washer, Plain .632 x 1.00 x .036
	1068	* Washer, Plain .632 x 1.00 x .041
11	1425	* Washer, Plain .632 x 1.00 x .046
11	1358	* Washer, Plain .632 x 1.00 x .050
11	1145	* Washer, Plain .632 x 1.00 x .060
11	1319	* Washer, Plain .632 x 1.00 x .082
12	3312	O-Ring
13	3876	Washer, Plain .632 x 1.38 x .046
14	1374	Key, Woodruff, #9
15	4134	Ass'y., Kit, Input Shaft
16	3590	Pinion, Bevel 14T.
17	3624	Ring, Retaining
18	3625	Chain, 24 Pitches
19	1542	Bearing, Flange
20	3773	Gear, Spur, 14T.
21	3631	Collar, Clutch
22	3828	Key, Clutch
23	1369	Key, Woodruff
24	3883	Shaft, Intermediate
25	1375	Key, Woodruff, #61
26	3627	Ring, Retaining
27	3830	Sprocket, 18T.
28	3841	Spacer
29	3786	Gear, Spur, 37T.
30	3785	Gear, Spur, 35T.
31	3867	Gear, Spur, 30T.
32	3783	Gear, Spur, 25T.
33	3869	Gear, Spur, 22T.
34	3741	Gear, Spur, 19T.
35	3628	Washer, Plain .640 x 1.37 x .061
36	1423	Washer, Plain .632 x 1.00 x .026
37	3422	Spacer, .630 x 1.00 x .169

KEY NO.	DANA PART NO.	DESCRIPTION
38	4286	Ass'y., Gear, Comb., 12T. & 35T.
39	3877	Spacer, .635 x .875 x .755
41	3645	Sprocket, 9T.
42	3853	Gear, Bevel, 42T.
43	3749	* Washer, Plain .758 x 1.12 x .010
43	3652	* Washer, Plain .758 x 1.12 x .015
43	3693	* Washer, Plain .758 x 1.12 x .020
43	3653	* Washer, Plain .758 x 1.12 x .025
43	3408	* Washer, Plain .758 x 1.25 x .020
43	3732	* Washer, Plain .758 x 1.25 x .025
43	3184	* Washer, Plain .758 x 1.25 x .031
43	3733	* Washer, Plain .758 x 1.25 x .035
43	3198	* Washer, Plain .758 x 1.25 x .040
43	3734	* Washer, Plain .758 x 1.25 x .045
43	3735	* Washer, Plain .758 x 1.25 x .050
43	3736	* Washer, Plain .758 x 1.25 x .055
43	3180	* Washer, Plain .758 x 1.25 x .062
44	3882	Shaft, Drive
45	3646	Gear, Spur, 12T.
46	3707	Gear, Spur, 15T.
47	3866	Gear, Spur, 20T.
48	3719	Gear, Spur, 25T.
49	3868	Gear, Spur, 28T.
50	3683	Gear, Spur, 31T.
51	1145	Washer, Plain .632 x 1.00 x .060
52	3191	Seal, Felt
53	3180	Washer, Plain .758 x 1.25 x .062
54	3880	Axle, L.H.
55	3780	Gear, Miter, 15T.
56	3656	Ring, Retaining
57	3839	Gear, Spur, 32T.
58	3919	Shaft, Cross
59	3781	Gear, Miter, 15T.
60	3881	Axle, R.H.
61	3864	Housing, Lower
62	3920	Puck, Friction
63	3276	Disc, Brake
64	3758	Spacer
65	3916	Jaw, Brake
66	3843	Pin, Dowel
67	3915	Screw, Tapping 5/16-18 x 2.25 Lg.
68	3768	Lever, Actuating
69	3760	Washer, Plain .321 x 1.00 x .055
70	3917	Bracket, Anti-Rotation
71	3847	Nut, Lock 5/16-24
72	3724	Screw, Tapping 5/16-18 x 1.44 Lg.
73	3906	Washer, Plain .343 x .81 x .059
74	3907	Puck, Friction
75	4300	Grease

\*Use in various combinations to maintain proper clearances.

\*\*Order Key No. 15.

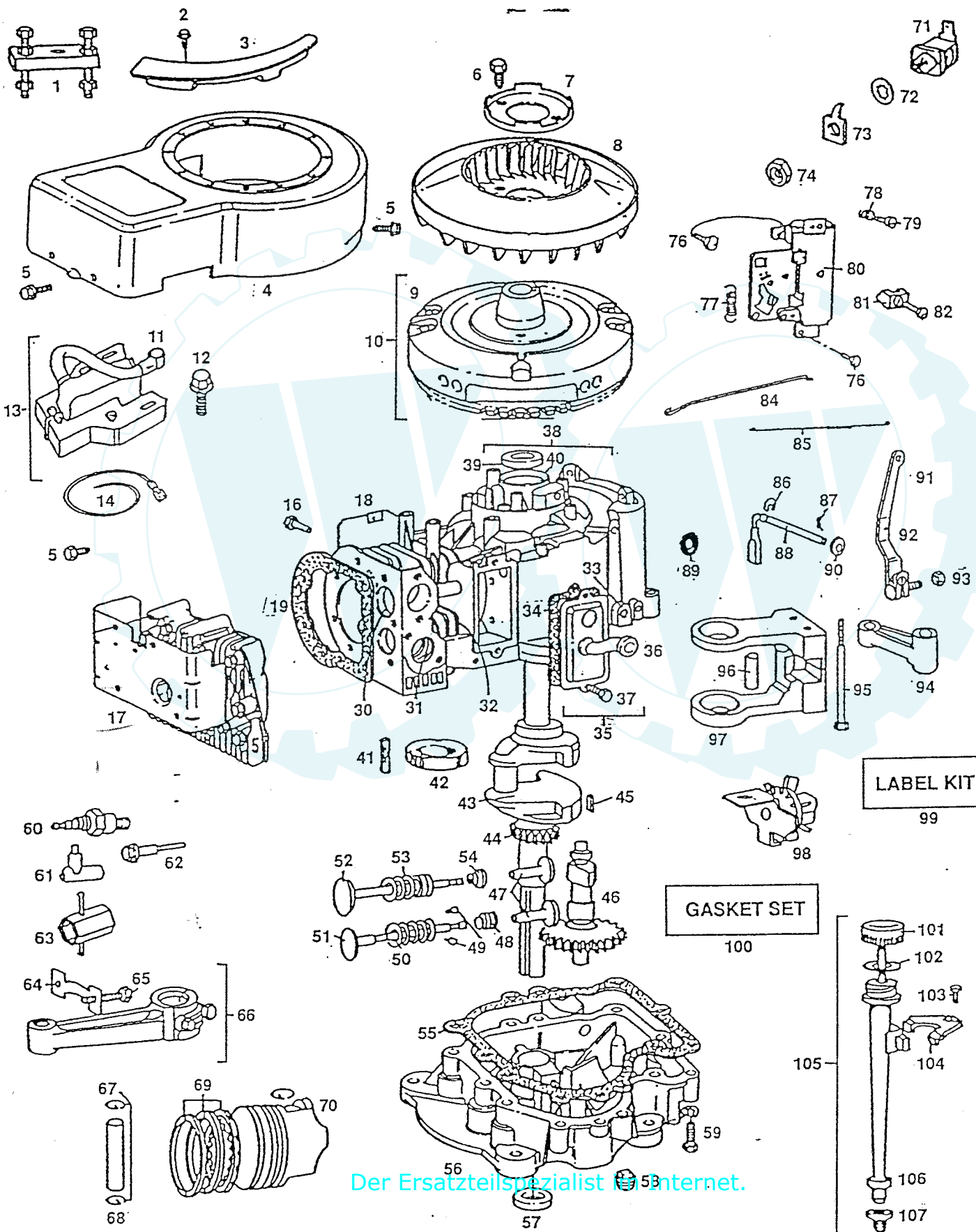
NOTE: All component dimensions given in U.S. inches.

1 inch = 25.4 mm



# REPAIR PARTS

POULAN 12 HP LAWN TRACTOR - - XEL1122AR  
ENGINE - BRIGGS & STRATTON, MODEL NO. 281707, TYPE NO. 0413-01



LABEL KIT  
99

GASKET SET  
100

# REPAIR PARTS

## POULAN 12 HP LAWN TRACTOR - - XEL1122AR ENGINE - BRIGGS & STRATTON, MODEL NO. 281707, TYPE NO. 0413-01

KEY NO.	PART NO.	DESCRIPTION	KEY NO.	PART NO.	DESCRIPTION
1	19203	Puller, Flywheel	63	89838	Wrench, Spark Plug
2	93705	Screw, Hex Hd.	64	222299	Lock, Connecting Rod Screw
3	223752	Guard, Flywheel	65	92909	Screw, Connecting Rod
4	490854	Housing, Blower	66	490348	Rod Assembly, Connecting
5	93158	Screw, Blower Housing Mtg. Sem			Note: For Connecting Rod with
6	93535	Screw, Sem (3/4" long)			.020" undersize Crankpin Bore,
7	223726	Retainer, Fan			order No. 490469.
8	280687	Fan, Flywheel	67	260924	Lock, Piston Pin
9	492325	Flywheel and Ring Gear Assembly,	68	299691	Pin Assembly, Piston, Std.
		Magneto	69	394665	Ring Set, Piston, Std.
0	399676	Gear, Ring (Includes Mounting	70	394661	Piston Assembly, Standard
		Parts)	71	398525	Insulator Assembly
1	221798	Terminal, Ignition Cable	72	92791	Washer, Lock, Shakeproof
2	93381	Screw, Armature Mtg. Sem	73	93722	Terminal, Spade
3	492341	Armature, Magneto	74	90576	Nut, Hex, 8-32
4	398808	Wire, Ground	75	396847	Switch, Stop
6	93163	Screw, Cylinder Shield Mtg. Sem	76	93572	Screw, Carburetor
7	491490	Cover, Cylinder Head	77	260871	Spring, Governor
8	223715	Shield, Cylinder	78	26157	Spring, Throttle Adjustment
9	271866	* Gasket, Cylinder Head	79	90200	Screw, Machine Fil. Hd. 8-32 x 1/2"
0	261463	** Seat, Intake Valve (Standard)	80	491594	Plate, Governor Control (Choke-A-
1	210940	** Seat, Exhaust Valve (Standard)			Matic)
2	261961	** Guide, Exhaust Valve	81	221535	Clamp, Housing
3	597	Bushing, Governor Crank (1/4" I.D.)	82	93496	Screw, Sem
4	27803	* Gasket, Valve Cover	84	262348	Link, Governor
5	391406	Breather Assembly	85	260584	Spring, Governor Link
6	280100	Tube, Breather	86	93307	Retainer, E-Ring
7	93394	Screw, Sem	87	93306	Cotter, Hair Pin
8	490450	Cylinder Assembly	88	231058	Crank, Governor (1/4" dia.)
9	261623	** Bearing, Cylinder	89	491323	Seal, Oil
0	391086	Seal, Oil	90	222450	Washer, Governor Crank (1/4" I.D.)
1	94160	Pin, Eccentric	91	490927	Lever Assembly, Governor (For 1/4"
2	262243	Eccentric			dia. Crank)
3	490466	Crankshaft	92	92613	Bolt, Governor Lever
		Note: Order Part Number 94196	93	231082	Nut, Hex 10-24
		For Timing Gear Key	94	212359	Link, Counterweight
4	262135	Gear, Timing	95	93875	Screw, Counterweight (1)
5	222698	Key, Flywheel	96	298909	Pin, Counterweight (1)
6	212897	Gear, Cam	97	399891	Counterweight Assembly
7	262248	Tappet, Valve	98	490815	Oil Slinger, Governor Gear and
8	292260	Rotocoil, Exhaust Valve			Bracket Assembly
9	93630	Retainer, Exhaust Valve Rotocoil	99	491255	Decal (Label) Kit
		(2)	100	490525	Gasket Set
0	26828	Spring, Exhaust Valve	101	490327	Cap and Dipstick, Oil Filler
1	262246	Valve, Exhaust	102	270920	Seal, Oil Filler Cap
2	262247	Valve, Intake	103	93804	Screw, Clamp Mtg.
3	65906	Spring, Intake Valve	104	223721	Clamp, Oil Filler Tube
4	221596	Retainer, Intake Valve	105	490474	Fill Group, Oil
5	271916	* Gasket, Crankcase Cover - 1/64"	106	280741	Tube, Oil Filler
		thick	107	68838	Seal, Filler Tube
	271996	Gasket, Crankcase Cover - .005"			
		thick			
	271997	Gasket, Crankcase Cover - .009"			
		thick			
6	490452	Base, Engine			
7	291675	Seal, Oil			
8	91084	Plug, Oil Drain			
9	94305	Screw, Base Mounting Sem			
0	293918	Plug, Spark (Resistor Type) (1-1/2"			
		high)			
	66538	Elbow, Spark Plug			

\* Included in Gasket Set - Part No. 490525

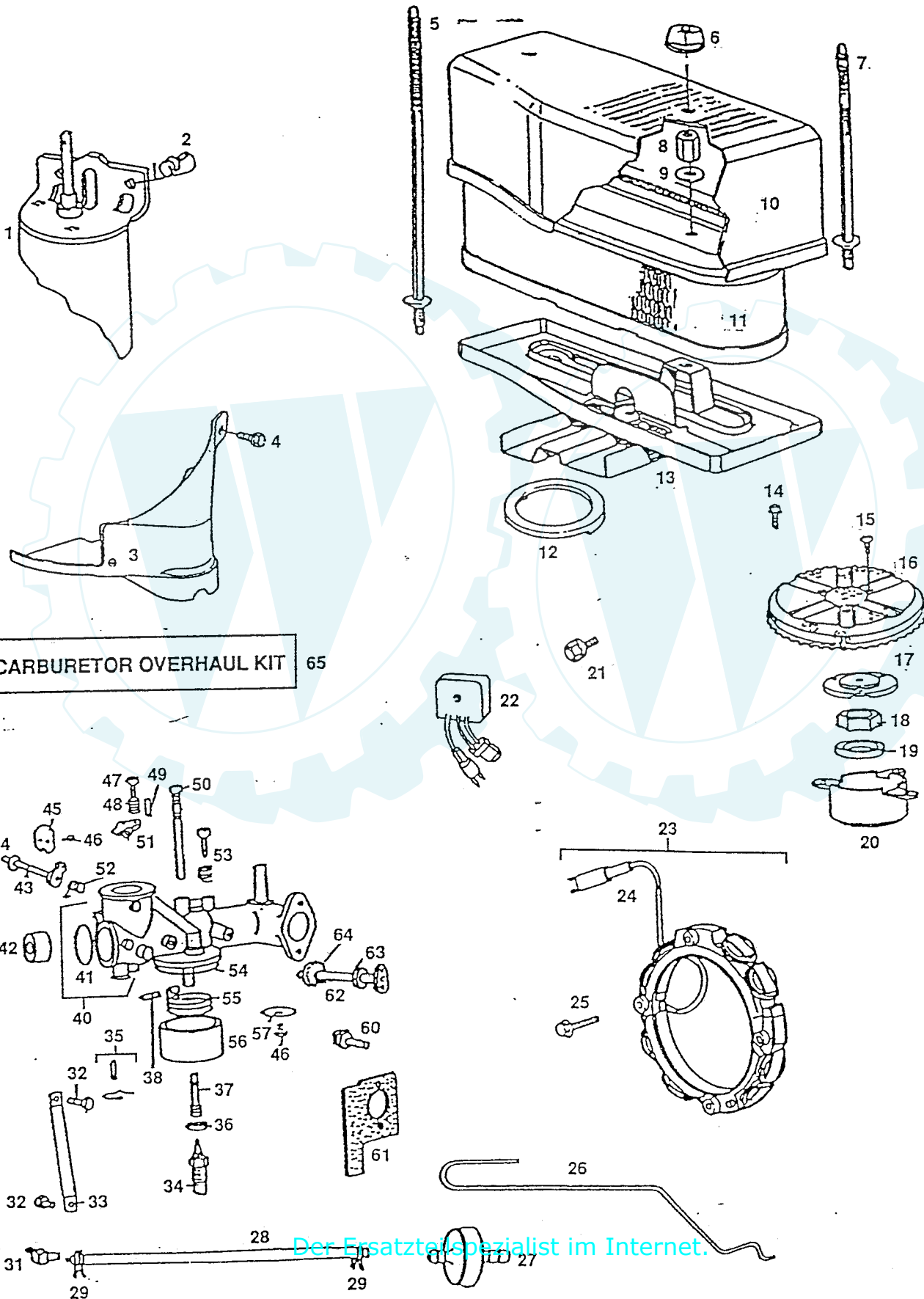
\*\* Requires Special Tools for Installation.

NOTE: All component dimensions given in U.S. inches.

1 inch = 25.4 mm

# REPAIR PARTS

POULAN 12 HP LAWN TRACTOR-- XEL1122AR  
ENGINE - BRIGGS & STRATTON, MODEL NO. 281707, TYPE NO. 0413-01



# REPAIR PARTS

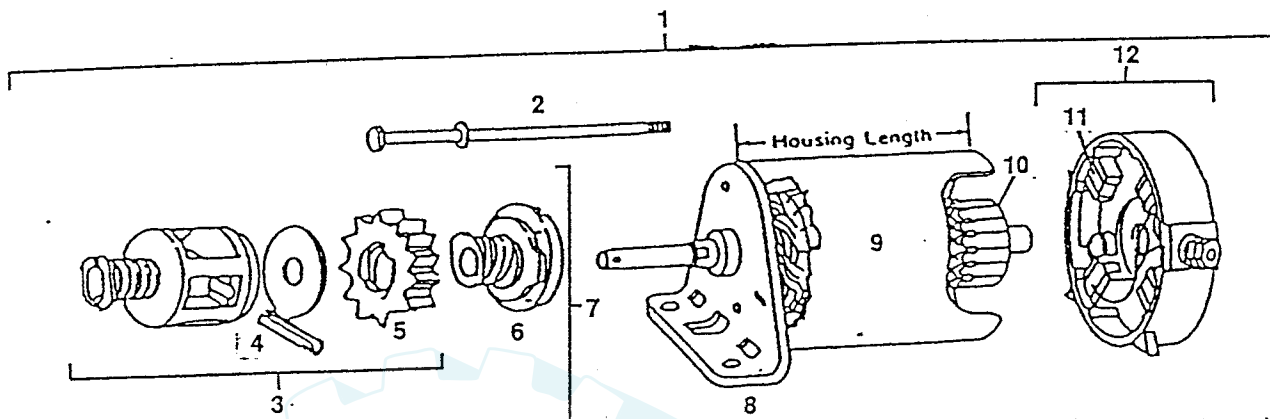
## POULAN 12 HP LAWN TRACTOR - - XEL1122AR ENGINE - BRIGGS & STRATTON, MODEL NO. 281707, TYPE NO. 0413-01

KEY NO.	PART NO.	DESCRIPTION	KEY NO.	PART NO.	DESCRIPTION
1	-----	Motor, Starting (12 Volt)	35	394681	Valve, Fuel Inlet
2	93535	Screw, Sem	36	222014	Washer, Float Bowl
3	490324	Cover, Starter (Includes Mounting Screws)	37	231323	Screw, Nozzle
4	93984	Screw, Sem	38	230896	Pin, Float Hinge
5	94248	Stud, Air Cleaner	40	490473	Body Assembly, Carburetor
6	212706	Knob, Air Cleaner	41	221997	Plug, Welch
7	94246	Stud, Air Cleaner	42	211960	Venturi, Carburetor
8	231532	Nut, Air Cleaner Mtg.	43	390684	Shaft and Lever, Choke
9	94249	Washer, Air Cleaner	44	270382	Washer, Choke Shaft
10	223700	Cover, Air Cleaner	45	222010	Valve, Choke
11	491519	Cartridge, Air Cleaner	46	93499	Screw, Throttle and Choke Valve Mtg. Sem
12	270853	Gasket, Air Cleaner	47	91920	Screw, Machine, Fill. Hd. 8-32 x 5/8"
13	490332	Body, Air Cleaner	48	26157	Spring, Throttle Adjustment
14	94018	Screw, Sem, Air Cleaner	49	93043	Pin, Throttle Stop
15	93805	Screw, Sem	50	299740	Nozzle, Carburetor
16	222562	Screen, Flush Rotating	51	211712	Stop, Throttle
17	280848	Spacer	52	261116	Spring, Choke Return
18	92284	Nut, Hex	53	292681	Valve Assembly, Carburetor Idle
19	220865	Washer, Spring	54	270511	Gasket, Float Bowl
20	222561	Cup, Screen Mtg.	55	299707	Float, Carburetor
21	94137	Screw, Regulator	56	221995	Bowl, Float
	491546	Regulator, Alternator (9 Amp.)	57	222433	Valve, Throttle
23	392595	Stator, Alternator (Tri-Circuit)	59	491031	Carburetor Assembly
24	393537	Connector Assembly (Tri-Circuit)	60	93357	Screw, Carburetor Mtg.
25	93621	Screw, Sem	61	270872	Gasket, Carburetor Mounting
26	261610	Link, Choke	62	491006	Shaft and Lever, Throttle
27	298090	Filter, Fuel (In Fuel Line)	63	398970	Seal, Throttle Shaft
28	393815	Line, Fuel (11" long) (Cut to suit)	64	271853	Washer, Throttle Shaft Seal (Foam)
29	93053	Clamp, Fuel Pipe	65	394698	Carburetor Overhaul Kit
31	67218	Connector, Fuel Pipe			
32	93572	Screw, Carburetor			
33	222311	Bracket, Carburetor			
34	396568	Valve, Needle			

NOTE: All component dimensions given in U.S. inches.  
1 inch = 25.4 mm

# REPAIR PARTS

POULAN 12 HP LAWN TRACTOR- - XEL1122AR  
 ENGINE - BRIGGS & STRATTON, MODEL NO. 281707, TYPE NO. 0413-01



KEY NO.	PART NO.	DESCRIPTION
1	394805	Motor and Drive Assembly )
2	94003	Thru Bolt
3	490467	Rettainer and Pin
4	94288	Roll Pin
5	280104	Gear
6	398003	Clutch Assembly
7	490421	Drive Assembly (Includes Key No.'s 3, 4, 5, and 6)
8	394857	End Cap Assembly Drive
9	393825	Housing Assembly
10	390837	Armature Assembly
11	395538	Brush Assembly
12	395537	* End Cap Assembly Commutator (Includes Brush Set)