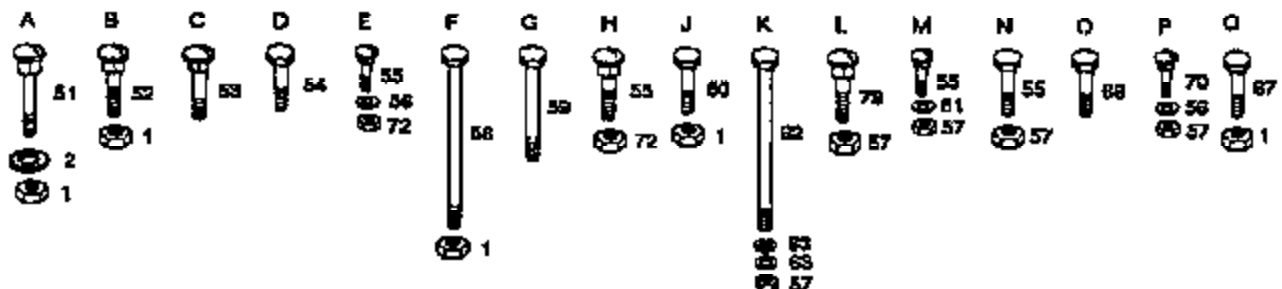
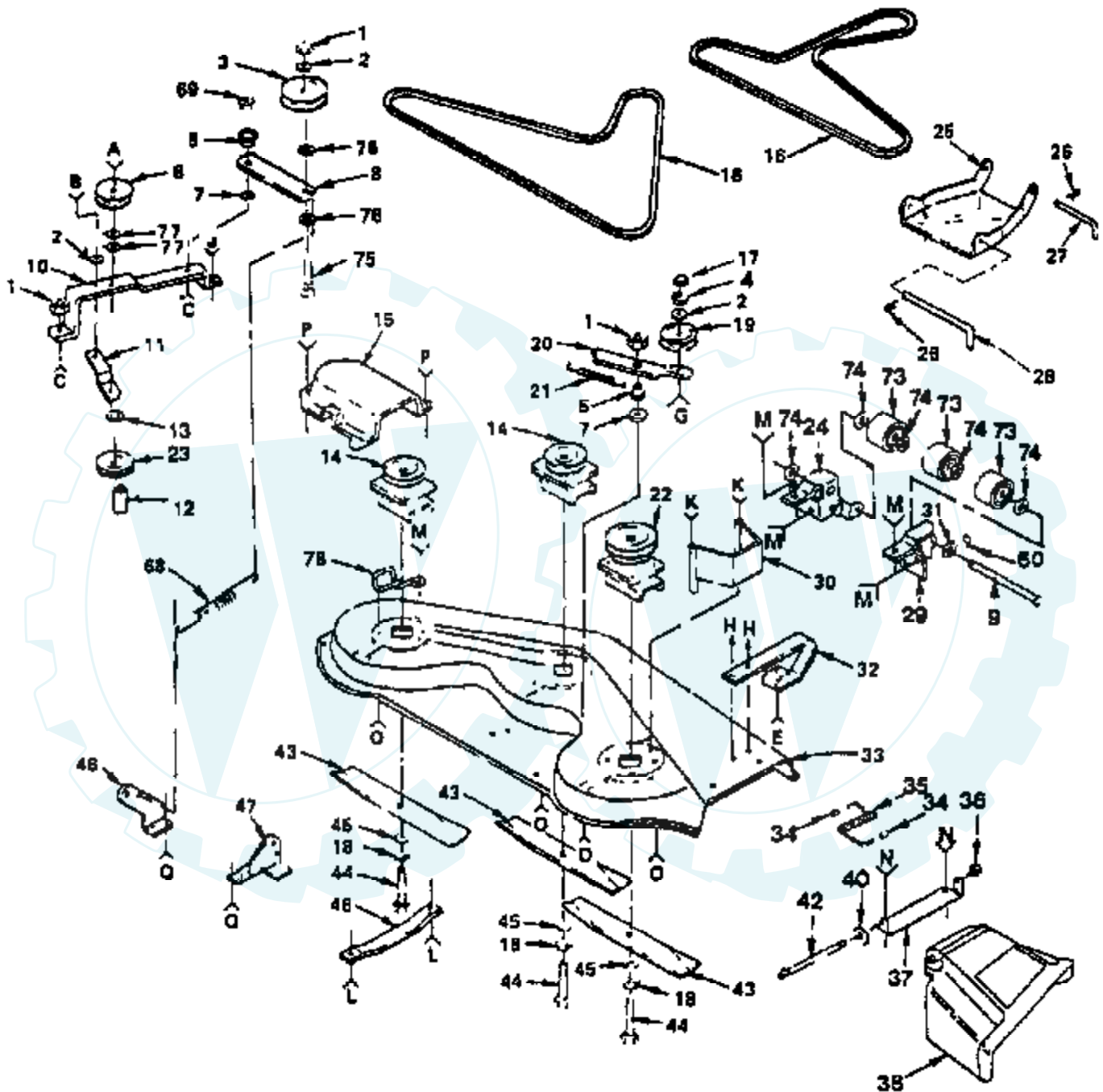
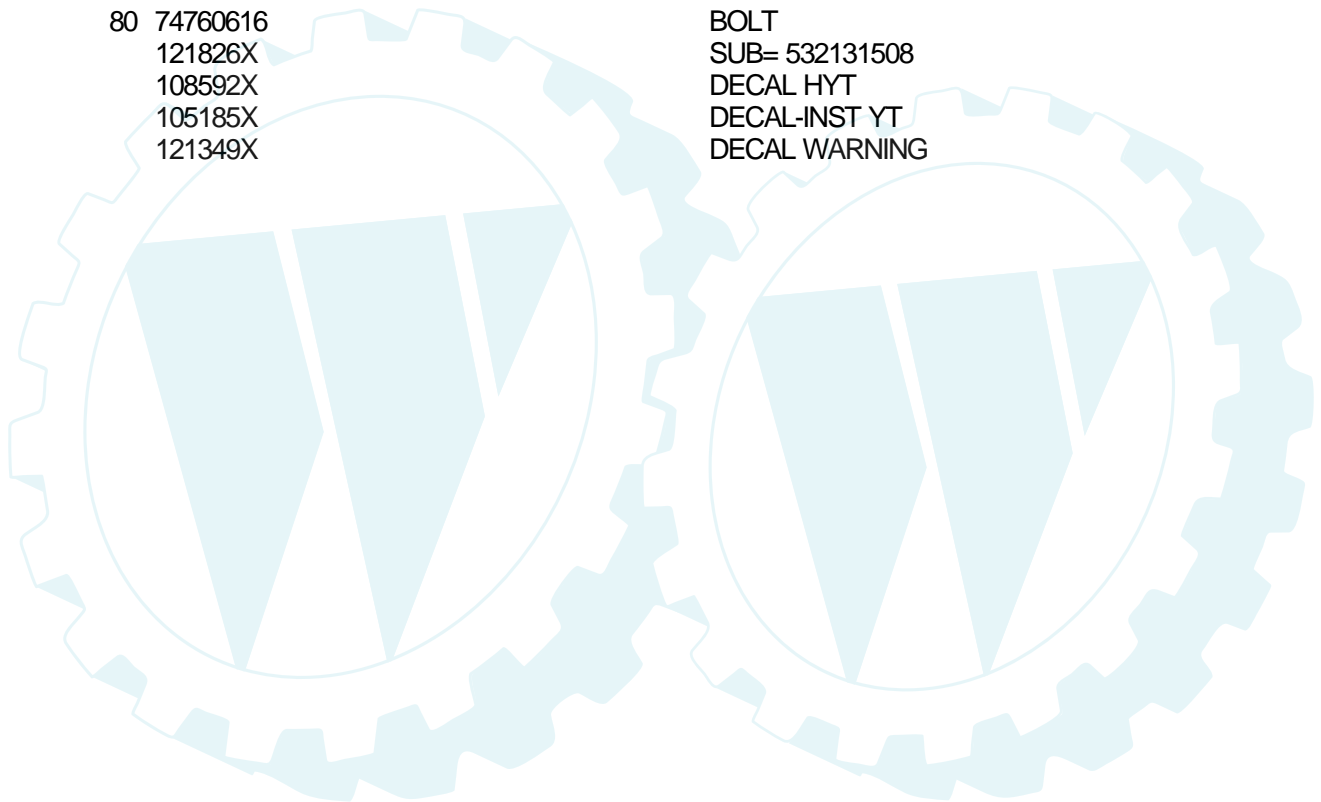


# 18 HP 44" RIDING YARD TRACTOR – MODEL NUMBER X18V44B MOWER



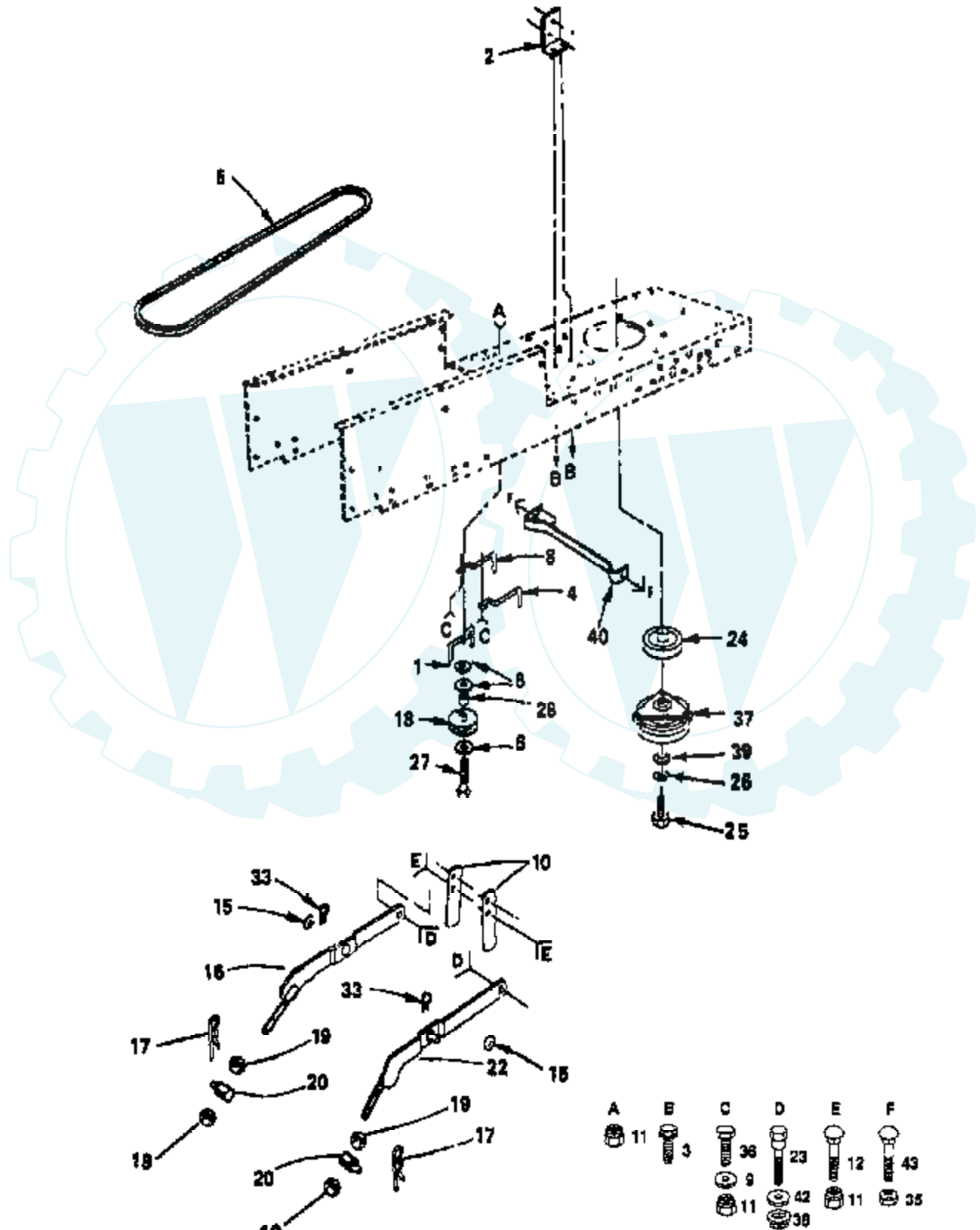
Ref #	Part Number	Qty	Description
1	73680600		SUB= 73690600
2	19131614		WASHER
3	121316X		PULLEY IDLER
4	10040600		LOCKWASHER
5	106902X		SPACER RETAINER
6	677A451		IDLER-INSIDE T
7	106513X		"WASHER, WEAR LT"
8	121425X		ARM IDLER
9	109776X		PIVOT PIN T
10	106523X		"SUPPORT YT, BAR"
11	106522X		BRACE-IDLER YT
12	121236X		SPACER
13	19131316		WASHER
14	121622X		SUB= 136819
15	106214X		GUARD YT
16	106085X		BELT-V.79.1.MWR
17	73220600		NUT.HEX.3/8-16UNC
18	10030600		SUB= 10040600
19	102932X		IDLER.FLAT.GTV
20	106526X		ARM-IDLER YT
21	7644J		SPRING T
22	121704X		SUB= 121705X
23	102403X		IDLER-FLAT T
24	109599X		BRACKET LH YTH
25	105662X		LINK.PARALLEL
26	4921H		SPRING.RETAINER
27	105744X		"ROD, FRT. PARAL T"
28	109835X		HINGE PIN T
29	109600X		BRACKET RH YTH
30	108119X		GUARD BELT HYT
31	19151616		SUB= 19171616
32	8418J		SUB= 136321
33	121423X		SUB= 144729
34	105304X		CAP-SLEEVE LT
35	106734X		SUB= 123713X
36	110452X		NUT PUSH M
37	109743X		SUB= 137607
38	109785X		DEFLECTOR SHIELD
40	19111016		WASHER
42	106735X		ROD-HINGE T
43	106635X		SUB= 25034
44	74610624		BOLT.3/8-24X1-1/2
45	19132012		WASHER
46	7631J		RUNNER-LH M
47	123807X		BRKT SUSP REAR RH
48	123808X		BRKT SUSP REAR LH
51	72140614		BOLT
52	72140608		SUB= 72110608
53	72140612		BOLT
54	74760620		SUB= 74780620
55	72140506		BOLT
56	19111116		WASHER
57	73680500		SUB= 73690500
58	74760648		BOLT - HEX 3/8 - 16 X 3
59	74110632		SCREW YT
60	76020412		COTTER PIN
61	19111216		WASHER M
62	74760580		BOLT

Ref #	Part Number	Qty	Description
63	19111216		WASHER M
66	17490612		SCREW
67	72140606		BOLT
68	102727X		"SPRING.EXT.8.5""
69	73930600		LOCKNUT
70	72110506		SUB= 72270506
72	1685H		SUB= 68478
73	109729X		ROLLER T
74	19151610		WASHER T
75	72140620		BOLT
76	19131210		WASHER
77	19131410		WASHER
78	121352X		BELT RETIANER
79	72110505		BOLT
80	74760616		BOLT
	121826X		SUB= 532131508
	108592X		DECAL HYT
	105185X		DECAL-INST YT
	121349X		DECAL WARNING



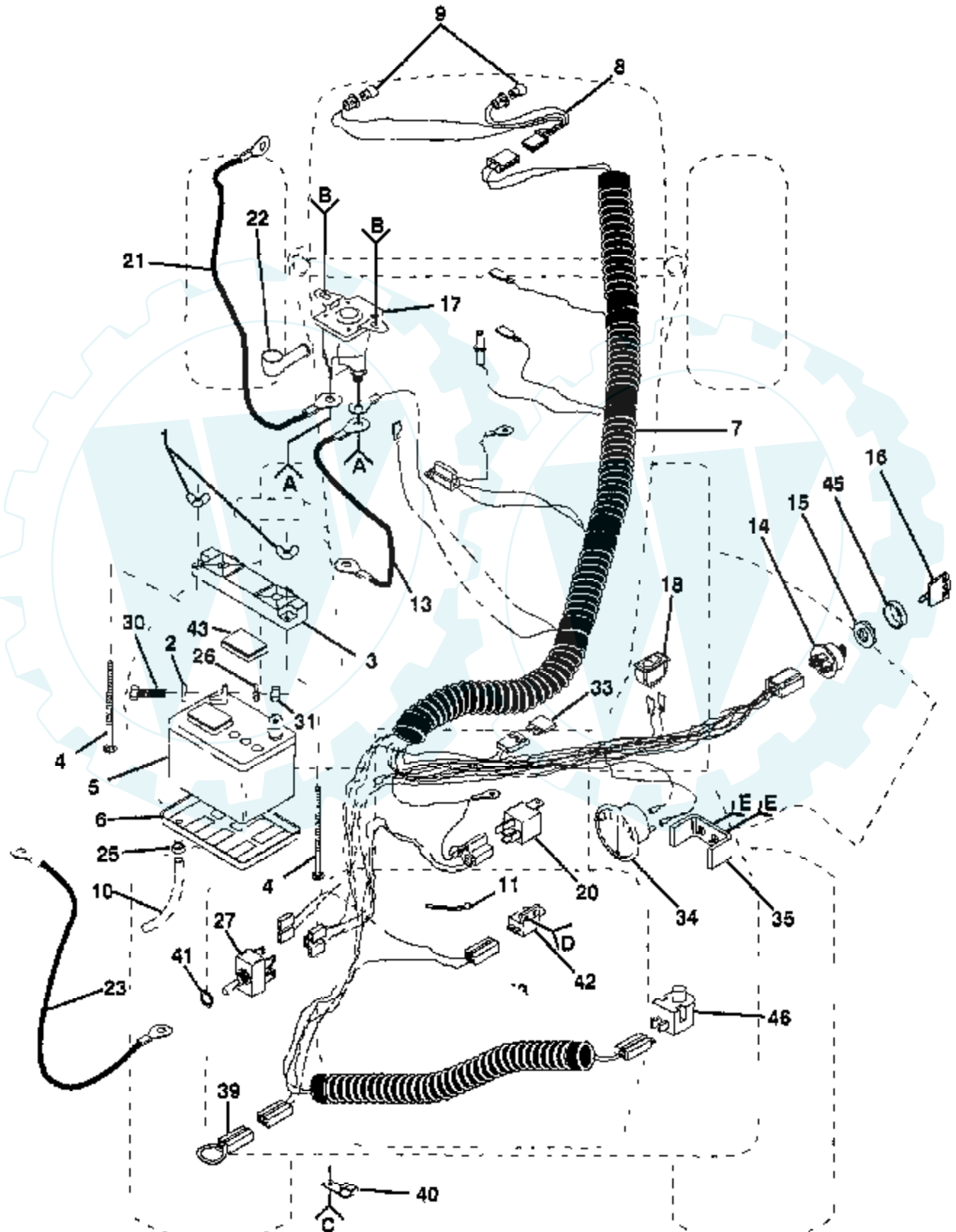
# 18 HP 44" RIDING YARD TRACTOR – MODEL NUMBER X18V44B

## DRIVE



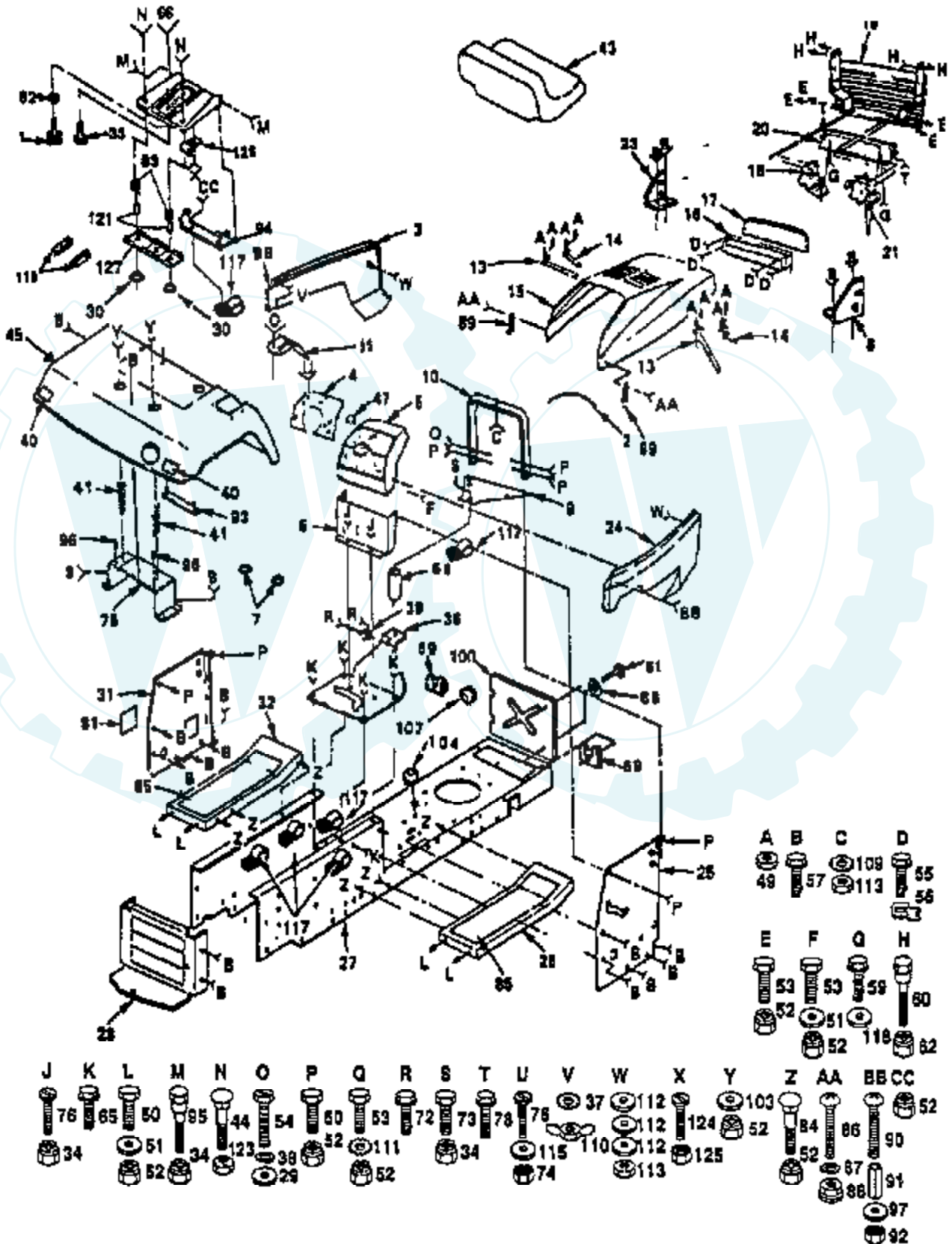
Ref #	Part Number	Qty	Description
1	109070X		BELT KEEPER LT
2	108236X		BRACKET LT
3	17021008		SCREW
4	105730X		"KEEPER,BLT ENG LT"
5	123796X		BELT.GRDRV.94.75
6	19131316		WASHER
8	121218X		KEEPER BELT ENGLH
9	19131312		WASHER
10	121252X		UPSTOP
11	73680600		SUB= 73690600
12	72140608		SUB= 72110608
15	19171516		WASHER T
16	121599X		LH SUSP ARM ASM
17	9135R		SPRING H
18	123674X		PULLEY.IDLER.FLAT
19	73220800		NUT
20	106308X		SUB= 130171
22	121598X		RH SUSP ARM ASM
23	105848X		"BOLT, SHOULDER LT"
24	123795X		SUB= 136906
25	71130768		"BOLT,HEX"
26	10040700		LOCKWASHER
27	74760644		BOLT
28	4470J		SPACER T
33	4921H		SPRING.RETAINER
35	73680500		SUB= 73690500
36	74760616		BOLT
37	128206		CLUTCH, ELECTRIC
38	73980600		NUT SPECIAL T
39	126197X		WASHER
40	109169X		SUB= 109172X
42	110739X		WASHER T
43	72140506		BOLT

# 18 HP 44" RIDING YARD TRACTOR – MODEL NUMBER X18V44B ELECTRICAL



Ref #	Part Number	Qty	Description
1	123198X		SUB= 146525
2	19091016		WASHER
3	102476X		SUB= 150109
4	72240460		BOLT
5	121537X		SUB= 123899X
6	7603J		"TRAY T, BATTERY"
7	129524		HARNESS
8	127441X		SUB= 136850
9	7662J		SUB= 4152J
10	100541K		SUB= 7697J
11	7192J		WIRE TIE
13	4206J		CABLE-BATTERY T
14	102972X		SUB= 918102972X
15	109788X		SUB= 124211X
16	122147X		KEY
17	109081X		SUB= 146154
18	110712X		SWITCH LT
20	109748X		RELAY ASSY T
21	4799J		"CABLE T, BATTERY"
22	719J		SUB= 154336
23	4207J		CABLE T
25	109596X		HOSE CLAMP T
26	10040400		LOCKWASHER
27	126016X		SUB= 4021J
30	74760412		BOLT LT
31	73220400		SUB= 50675
33	108824X		FUSE HYT
34	9433R		AMMETER T
35	6009J		SUB= 532131708
39	102501X		SUB= 141940
40	235R		CLIPT
41	4022J		HEX NUT T
42	104445X		SWITCH-INTER. GT
43	121264X		"CAP,BATTERY "
45	109787X		SUB= 147626
46	121305X		SWITCH SEAT
	121549X		DECAL
	128905		NLA
	272112		OWNER'S MANUAL
	101539X		SHEET INSTR LT

# 18 HP 44" RIDING YARD TRACTOR – MODEL NUMBER X18V44B ENCLOSURES

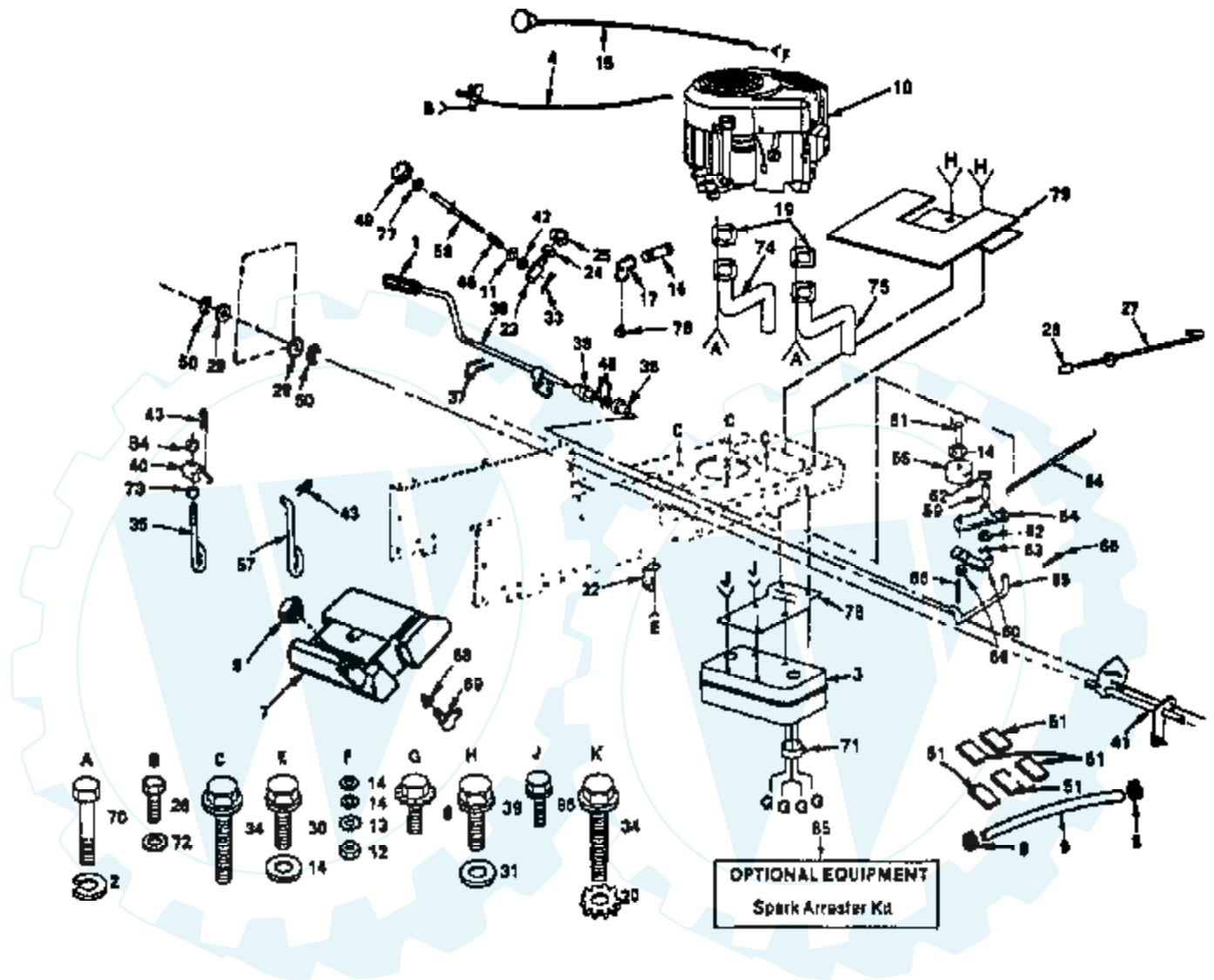




Ref #	Part Number	Qty	Description
1	120068X		"KNOB 1/2"" YT"
2	109458X		FOAM STRIP T
3	121888X476		SUB= 132638X475
4	121444X015		DASHPLATE
5	124252X		SUB= 140398
6	104805X		LOWER DASH
7	124238X		CAP SPRING
8	110853X		SUPPORT RH YTH
9	106965X		SUB= 140181
10	110829X		SUB= 124130X
11	123825X		CONSOLE SHIFTER
13	106784X		SUB= 155013
14	104618X		SUB= 155013
15	121886X476		SUB= 132635X475
16	124392X417		SUB= 147717
17	106395X		LENS LT
18	110855X		SUPPORT LH YTH
19	122100X		GRILL ASSY
20	105419X475		"STRAP,GRILL "
21	110854X		SUPPORT RH YTH
23	110852X		SUPPORT LH YTH
24	121887X476		SUB= 132639X475
25	110828X		SUB= 133748
26	105464X475		SUB= 145243X475
27	127166X		CHASSIS
28	123785X		DRAW BAR
29	19060718		WASHER
30	121248X		BUSHING
31	124118X		PANEL DASH LH
32	105465X475		SUB= 145244X475
33	127018X		"BOLT,SHOULDER"
34	73680500		SUB= 73690500
36	123783X013		SADDLE
37	11030400		LOCKWASHER GT
38	10100800		"WASHER,LOCK"
39	1554J		SUB= 155108
40	106202X		REFLECTOR-TAIL YT
41	124181X		SPRING COMPRESSIO
43	127429X		SUB= 140121
44	72170410		BOLT
45	123784X475		FENDER
47	5479J		PLUG BUTTON T
49	73510400		NUT
50	74760612		SUB= 74780612
51	19131312		WASHER
52	73680600		SUB= 73690600
53	74760616		BOLT
54	74640806		SCREW
55	17211010		SCREW LT
56	104755X		""J"" FASTENER LT"
57	17490612		SCREW
58	121236X		SPACER
59	17490512		SCREW
60	123481X		SUB= 7605J
61	123650X		STUD.1/4.TURN
62	73680400		SUB= 73690400
63	123740X		SPRING COMPRESSED
65	17490608		SCREW LT

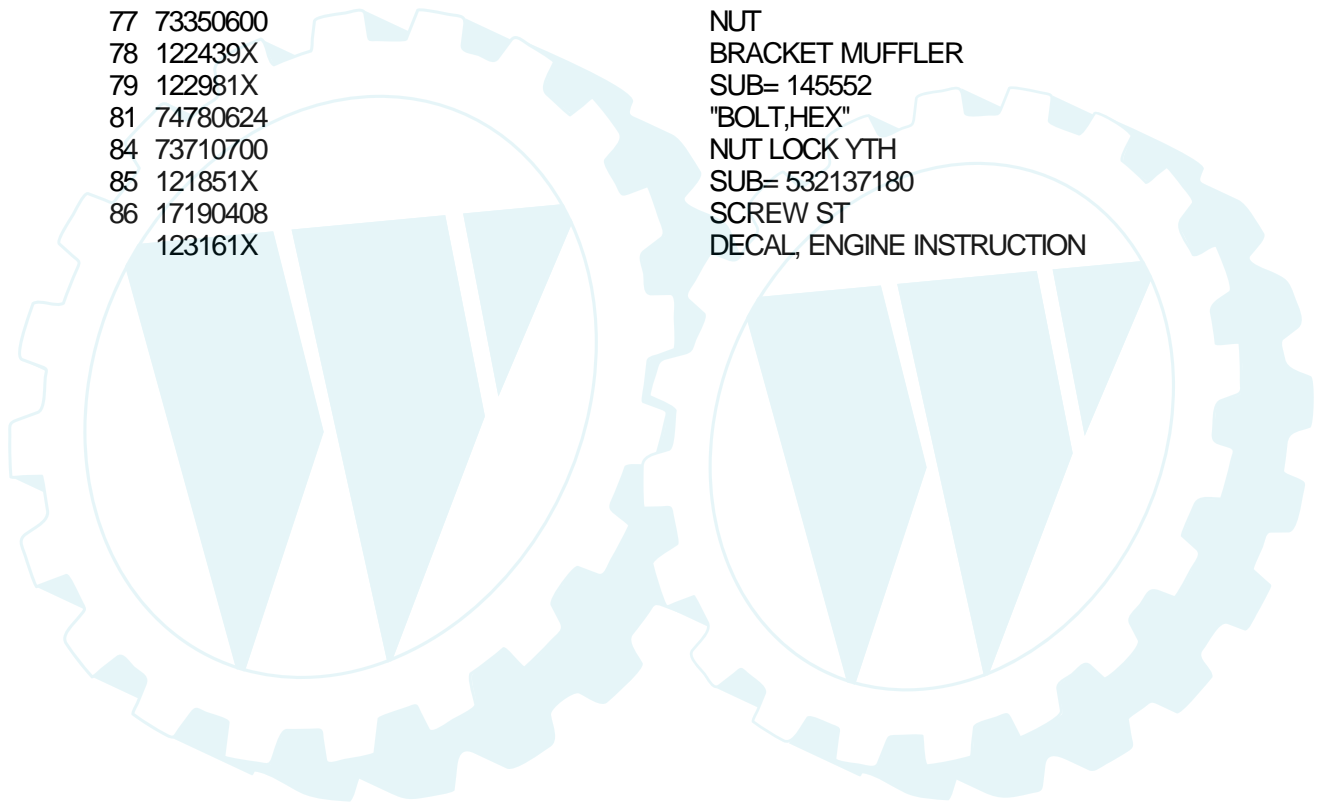
Ref #	Part Number	Qty	Description
66	124294X		SUB= 155925
68	105838X		RETAINER LT
69	105839X		RECEPTACLE LT
72	17431008		SUB= 98000165
73	74760532		BOLT
74	73510500		NUT
75	105509X		SUB= 137113
76	74180512		SCREW
78	17190412		SCREW
81	121794X		COVER ACCESS
82	19171912		WASHER
84	72140606		BOLT
85	128866		"PAD,FOOTREST"
86	74191008		SCREW
87	10071000		LOCKWASHER
88	2029J		WELDNUT
89	109808X		HOOD LATCH T
90	74981020		SCREW
91	7206J		SPACER LT
92	73731000		NUT
93	105511X		SUB= 140675
94	126656X		SUB= 140551
95	105529X		SUB= 139888
96	105531X		NUT-PUSH YT
97	19070818		WASHER
100	108105X		SUB= 133746
103	19131614		WASHER
104	9151R		SNAP BUSHING T
107	110436X		SUB= 9151R
109	11050400		LOCKWASHER
110	73490400		SUB= 146525
111	11050600		LOCKWASHER
112	19091216		WASHER PM
113	73220400		SUB= 50675
115	19111116		WASHER
117	2751R		CLIP T
118	19111212		WASHER
119	121251X		STRIP FORM
121	121249X		SPACER SPLIT
123	123976X		SUB= 73900400
124	74641008		SUB= 71031008
125	73951000		"NUT,KEPS"
126	4171R		CLIP T
127	121246X		BRKT SWITCH
	128002		NLA
	128018		NLA
	109199X		SUB= 146046
	128015		"DECAL,HOOD RH "
	109821X		SUB= 138956
	128005		NLA
	101892X		DECAL T
	128028		NLA
	128007		"DECAL,GRILL "

### 18 HP 44" RIDING YARD TRACTOR -- MODEL NUMBER X18V44B POWER AND MECHANICAL CONTROLS GROUP

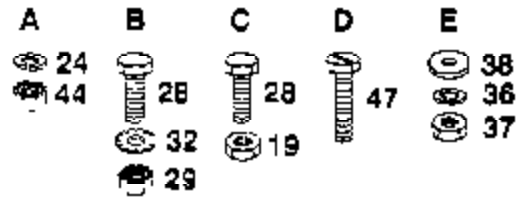


Ref #	Part Number	Qty	Description
1	8883R		PEDAL COVER T
2	10040400		LOCKWASHER
3	129464		MUFFLER
4	121523X		SUB= 532132748
5	123549X		SUB= 158990
6	17450808		SCREW LT
7	127334X		SUB= 151346
8	123487X		HOSE CLAMP
9	8542R		FUEL LINE T
10	128693		ENGINE
11	19131016		WASHER
12	73610600		SUB= 7810H
13	11050600		LOCKWASHER
14	19131316		WASHER
15	122926X		SUB= 132781
16	13280336		PIPE NIPPLE LT
17	13200300		ELBOW
19	8545J		SUB= 272250
20	11050600		LOCKWASHER
21	121006X		LEVER ROD LT
22	123788X		RETAINER BELT
23	110810X		TRUNION LT
24	19151216		WASHER
25	12000037		KLIP RING
26	17080408		SCREW
27	125637X		ROD BRAKE PARK
28	71673		PLUNGER CAP T
29	19292016		WASHER
30	17490612		SCREW
31	19131614		WASHER
33	76020308		SUB= 3145
34	17490624		SCREW LT
35	110448X		PIVOT PIN T
36	122424X		SUB= 149001
37	1572H		SUB= 2882J
38	120183X		NYLON BEARING
39	17490512		SCREW
40	110447X		SUB= 132793
41	121000X		SHAFT LIFT LT
42	110807X		NUT T
43	4939M		SUB= 85902
44	109413X		GRIP
45	122364X		SUB= 125925X
46	2876H		SPRING T
47	121002X		SUB= 123096X
48	19211616		WASHER LT
49	121891X		HDLE ADJ LIFT
50	12000022		E-RING
51	106082X		PAD-SPACER LT
52	124526X		SUB= 125925X
54	123789X		ARM IDLER
55	127783		SUB= 139245
56	73680600		SUB= 73690600
57	110029X		LIFT LINK LT
58	110729X		ROD LIFT LT
59	105706X		"LY, BEARING"
60	123205X		RETAIN BELT
61	74760624		SUB= 74930624

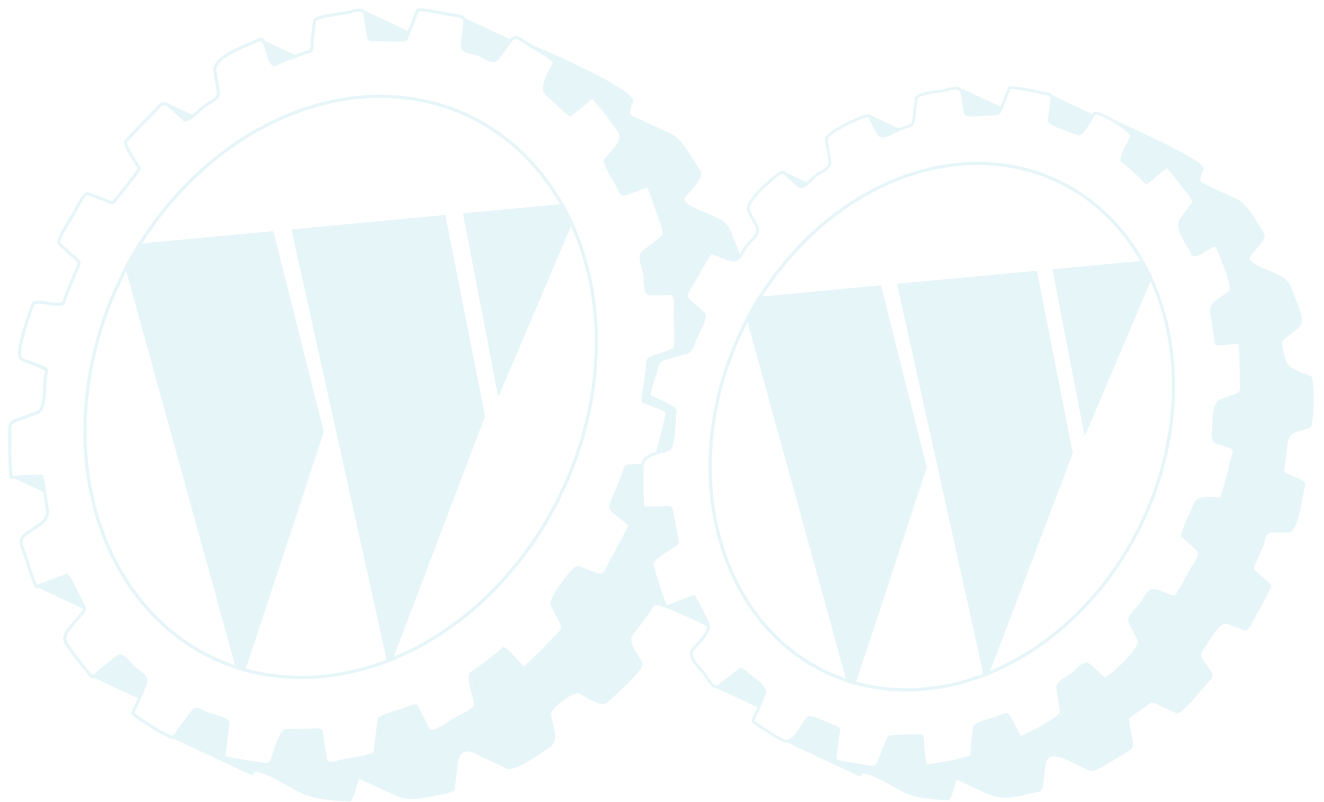
Ref #	Part Number	Qty	Description
62	110812X		WASHER LT
63	12000039		KLIP RING
64	105709X		"SPRING, RETURN LT"
65	105710X		"LINK, CLUTCH T"
66	76020412		COTTER PIN
68	3645J		BUSHING OUTLET T
69	8710J		FUEL TANK STEM GT
70	74780412		SUB= 74780414
71	101326L		DEFLECTOR.222573
72	110457X		SUB= 19091016
73	73360700		NUT
74	129465		SUB= 136989
75	129466		SUB= 144068
76			CHECK WITH SUPPLIER
77	73350600		NUT
78	122439X		BRACKET MUFFLER
79	122981X		SUB= 145552
81	74780624		"BOLT,HEX"
84	73710700		NUT LOCK YTH
85	121851X		SUB= 532137180
86	17190408 123161X		SCREW ST DECAL, ENGINE INSTRUCTION



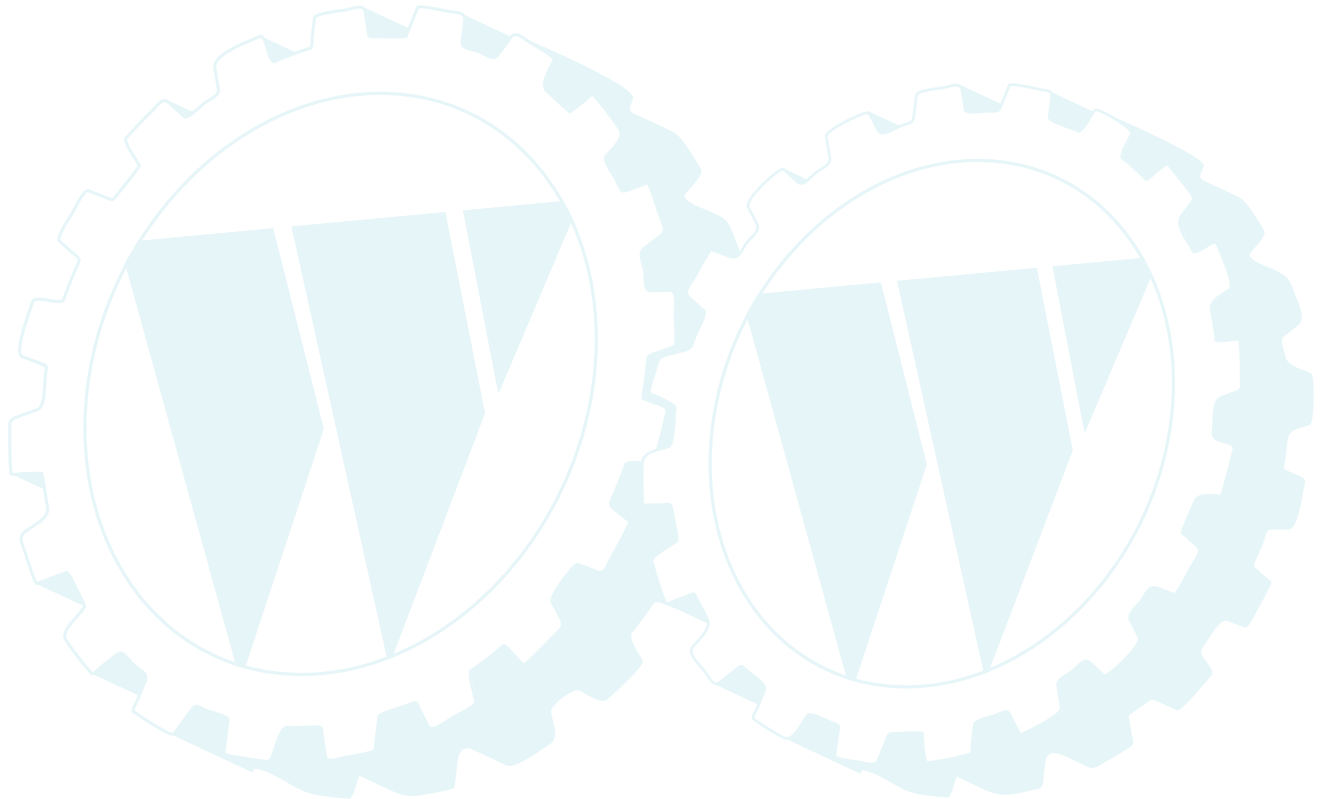
# 18 HP 44" RIDING YARD TRACTOR – MODEL NUMBER X18V44B ELECTRICAL



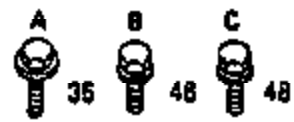
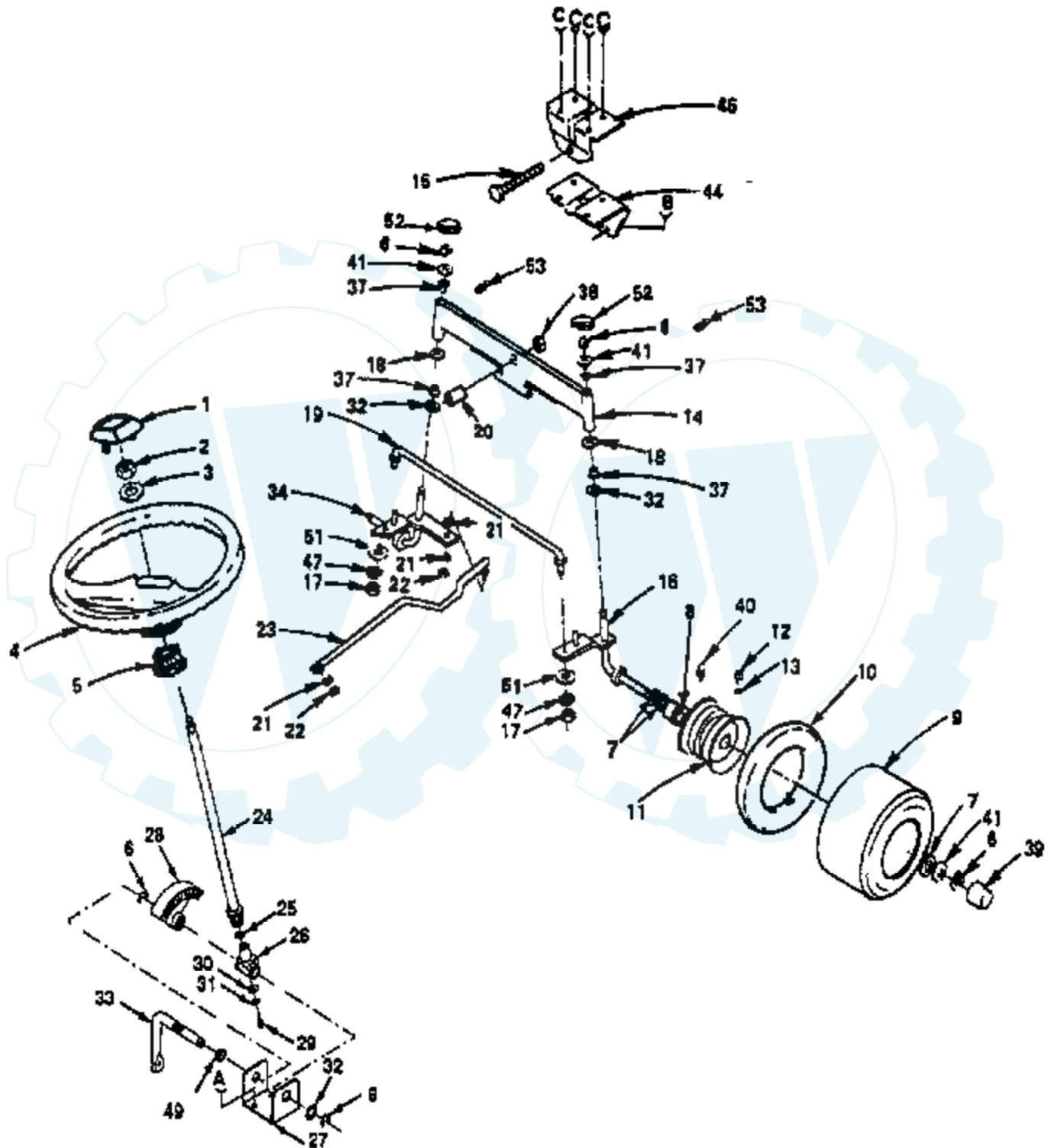
NOTE All component dimensions given in U S inches  
1 inch = 25.4 mm



Ref #	Part Number	Qty	Description
19	73680400		SUB= 73690400
24	10090400		SUB= 10040400
28	74780408		BOLT
29	73510400		NUT
32	11050400		LOCKWASHER
36	10101000		SUB= 10071000
37	73911000		NUT
38	19070818		WASHER
44	73350400		NUT
47	17021008		SCREW
	121549X		DECAL
	128905		NLA
	272112		OWNER'S MANUAL
	101539X		SHEET INSTR LT



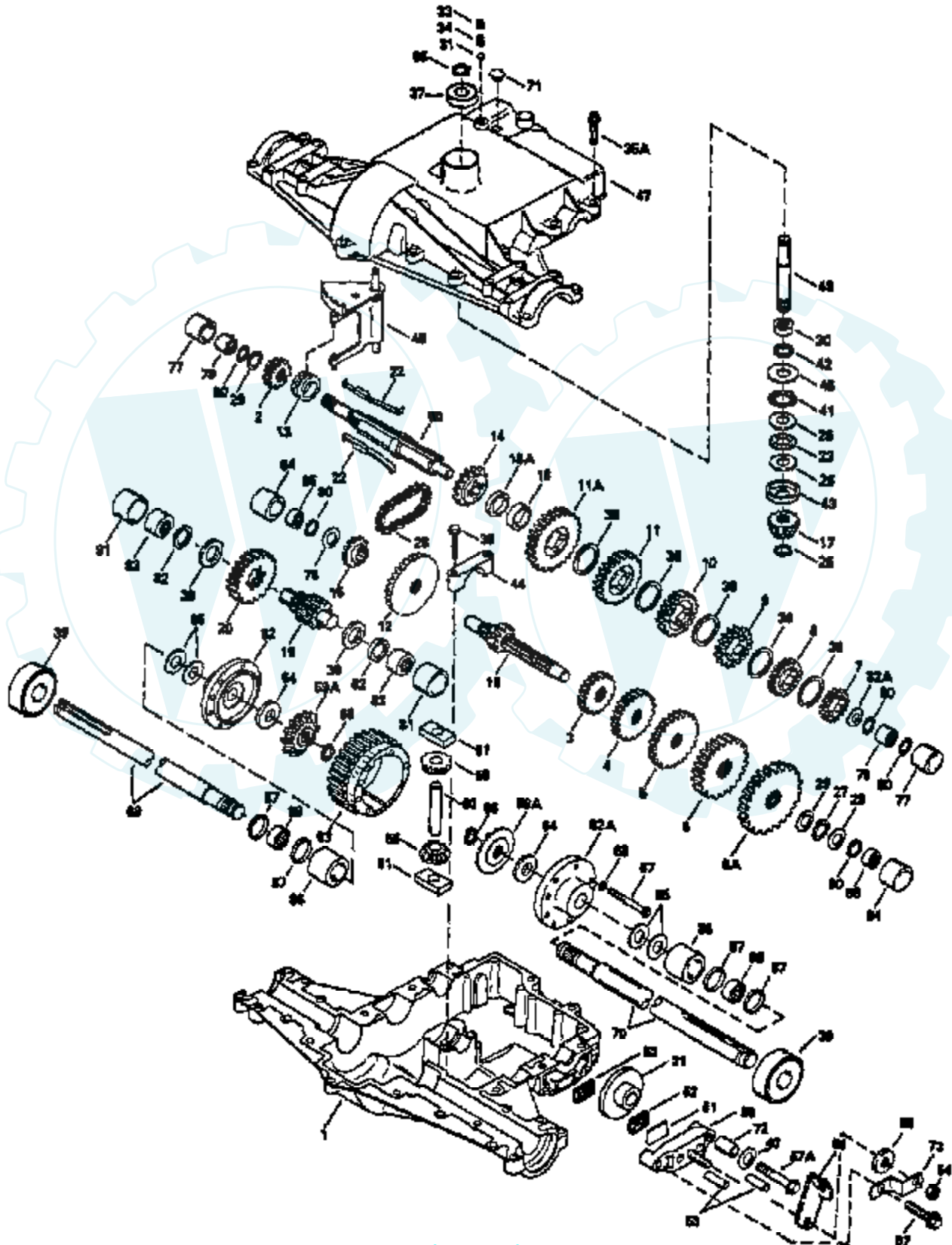
# 18 HP 44" RIDING YARD TRACTOR – MODEL NUMBER X18V44B STEERING, FRONT AXLE AND WHEELS





Ref #	Part Number	Qty	Description
1	126805X		"INSERT,STR WHEEL"
2	73940800		SUB= 73360800
3	100712K		WASHER
4	121472X		SUB= 150546
5	100711L		ADAPTER LT
6	12000029		RING
7	121749X		WASHER
8	9040H		"FLANGE, BEARING"
9	106222X		SUB= 122073X
10	59904		TUBE.5.3/4.5/6
11	106732X475		"RIM,FRT 6""
12	65139		VALVE STEM LT
13	59192		VALVE CAP
14	108075X		FRONT AXLE
15	74761060		BOLT LT
16	105654X		SUB= 130524
17	73810500		NUT.LOCK.5/16-24
18	19272016		WASHER
19	121334X		ROD TIE
20	110438X		BEARING
21	10040600		LOCKWASHER
22	73610600		SUB= 7810H
23	128122		SUB= 532130468
24	128762		SUB= 156544
25	57079		THRUST WASHER
26	124035X		SUPPORT.SHAFT
27	124036X		"BRKT,STEERING"
28	124034X		SUB= 136874
29	71070410		"SCREW,SPECIAL"
30	126684X		SUB= 532126684
31	10040400		LOCKWASHER
32	6266H		WASHER .T
33	124033X		SUB= 156365
34	105656X		SPINDLE-LH LT
35	17490612		SCREW
36	73601000		SUB= 73901000
37	3366R		COL. SRTG. BEAR.
39	104757X		HUB CAP
40	278H		FITTING LT
41	121748X		WASHER
44	105664X		SUPPORT.SADDLE.FT
45	105663X		SUPPORT-SADDL T
46	17490508		SCREW LT
47	10040500		LOCKWASHER
48	122819X		SCREW SPECIAL
49	109816X		NYLINER T
51	19111216		WASHER M
52	121232X		CAP
53	6855M		ZERK M
	128009		"DECAL,STR WHL"

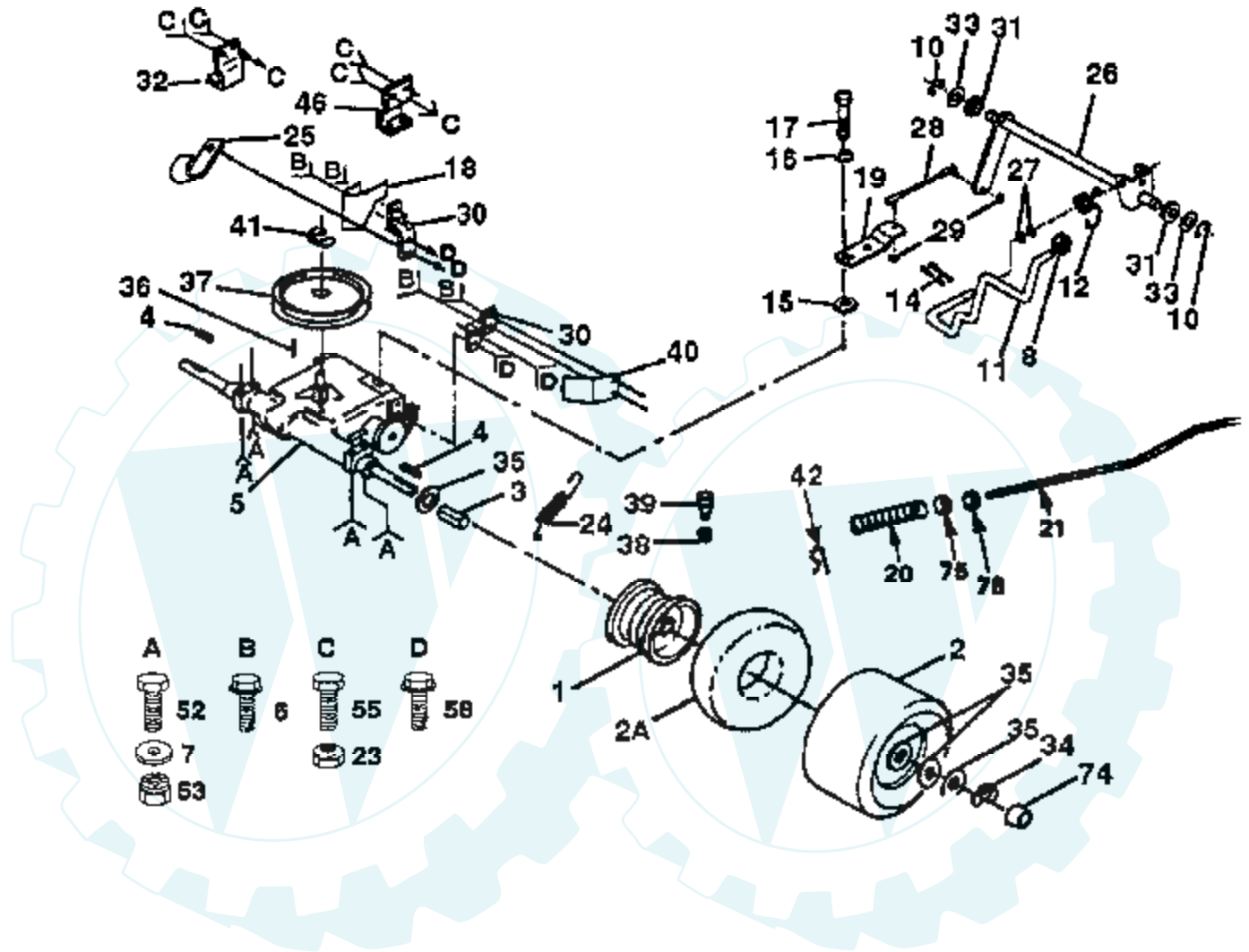
**18 HP 44" RIDING YARD TRACTOR – MODEL NUMBER X18V44B  
TRANSAXLE – PEERLESS MODEL NUMBER 820-016**



Ref #	Part Number	Qty	Description
1	770088		CASE TRANSAXLE
2	778253		GEAR, SPUR, 15T
3	778211		GEAR, SPUR, 12 TEETH
4	778240		GEAR, SPUR, 18 TEETH
5	778201		GEAR, SPUR, 25T
6	778202		GEAR, SPUR, 28T
6A	778208		GEAR, SPUR, 31T
7	778209		GEAR, SPUR, 19 TEETH
8	778203A		GEAR, SPUR, 22T
9	778204A		GEAR, SPUR, 25T
10	778239A		GEAR, SPUR, 32 TEETH
11	778207A		GEAR, SPUR, 37 TEETH
11A	778216A		GEAR, SPUR, 41T
12	778246		GEAR BEVEL, 33T
13	784216		COLLAR SHIFT
14	786123		SPROCKET 18T (REV)
15	786082		SPROCKET 9T
16	776291		SHAFT COUNTER
17	778245		BEVEL PINION, 13T
18	786121		SPACER, .350/.340 THICK
18A	786122		SPACER, .276/.268 THICK
19	776275		SHAFT, OUTPUT, 9T
20	778247		GEAR, OUTPUT, 35T
21	790043		DISK BRAKE
22	792138		KEY
23	780084		BEARING THRUST
25	788040		RETAINING RING
26	780051		WASHER THRUST
27	780071		THRUST BEARING
28	786081		CHAIN, ROLLER
29	780072		WASHER THRUST
30	780155		BEARING NEEDLE
31	792077		BALL STEEL, 5/16" DIA.
32A	780139		WASHER
33	792078		SCREW, 3/8-16 X 3/8"
34	792079		SPRING
35	792073		SCREW, 1/4-20 X 1-1/4
35A	792129		SCREW HEX HD 5/16-18 X 1-1/4
36	780108		WASHER THRUST
37	780119		BEARING BALL
38	780128		WASHER THRUST
39	780050		BEARING BALL
40	792128		WASHER FLAT
41	788077		"O" RING
42	788042		OIL SEAL 3/4
43	780166		WASHER CUPPED
44	786131		BEARING CAP
45	780165		WASHER
47	772098		COVER, TRANSAXLE
48	784342		ROD AND FORK ASSY SHIFT
49	776274		SHAFT INPUT
50	776313		SHAFT BRAKE
51	790007		PLATE BRAKE PAD
52	790006		PAD BRAKE
53	786026		PIN DOWEL
54	792075		LOCKNUT 5/16-24
55	792076		WASHER FLAT
56	790047		LEVER BRAKE

Ref #	Part Number	Qty	Description
57	792073		SCREW, 1/4-20 X 1-1/4
57A	792085		SCREW FLNG HEX 1/4-20 X 2-1/4
58	790025		HOLDER BRAKE PAD
59	778197		PINION, 10T
59A	778198		GEAR BEVEL
60	786019		PIN DRIVE
61	786027		BLOCK DRIVE
62	774833		CARRIER DIFF THREADED HOLES
62A	774834		CARRIER DIFF
63	778248		GEAR, RING, 31T
64	780107		WASHER
65	780042		WASHER THRUST
66	792018		RING STRAP
67	792020		SCREW, 1/4-20 X 2-1/4
68	792006		WASHER LOCK 1/4
69	774832		AXLE, 12-5/16" LONG
70	774831		AXLE, 16-3/16" LONG
71	792074		PLUG, THRDED, 9/16-18
72	786067		SPACER
73	786086		BRKT BRAKE LEVER
76	780153		WASHER
77	786144		SLEEVE
78	780150		BEARING NEEDLE
79	780152		BEARING NEEDLE
80	792001		"O" RING
81	786142		SLEEVE STEPPED
82	788071		RING SQ CUT
83	780049		BEARING, NEEDLE
84	786143		SLEEVE STEPPED
85	780151		BEARING NEEDLE CAPPED
86	786145		SLEEVE STEPPED
87	788070		RING SQ CUT
88	780031		BEARING NEEDLE

**18 HP 44" RIDING YARD TRACTOR – MODEL NUMBER X18V44B  
TRANSAXLE AND REAR WHEEL**



Ref #	Part Number	Qty	Description
1	124074X475		RIM
2	124106X		SUB= 138756
2A	7154J		TUBE.23X8/10-12
3	108097X		SPACER HYT
4	9396E		SQ KEY STD
5	123797X		TRANSAXLE PEERLESS MODEL NO
6	17490612		SCREW
7	19111214		WASHER
8	106933X		KNOB T (1/2-HOLE)
9	76020412		COTTER PIN
10	12000008		KLIP RING
11	123781X		SUB= 141002
12	123782X		"SPRING,TORSION"
14	76020416		PIN COTTER 1/8
15	105701X		WASH-SHFT PLT LT
16	19091216		WASHER PM
17	71040412		SUB= 74550412
18	123791X		KEEPER BELT LH
19	123794X		"ARM,SHIFT"
20	126909X		"SPRING,ROD BRAKE"
21	123786X		ROD BRAKE
22	19131316		WASHER
23	73680600		SUB= 73690600
24	110422X		SUB= 146682
25	2751R		CLIP T
26	123772X		"SHAFT,SHIFTER"
27	19171216		WASHER
28	123793X		"ROD,TIE "
29	73530400		NUT 1/4-28
30	123787X		STRAP TORQUE
31	71208		BUSHING
32	123780X		BRKT TRANS LH
33	19212016		WASHER D
34	12000053		E RING HYT
35	123800X		WASHER
36	2228M		SUB= 2228M1
37	121327X		PULLEY TRANSAXLE
38	59192		VALVE CAP
39	65139		VALVE STEM LT
40	123792X		"KEEPER,BELT RH"
41	12000004		RING
42	4497H		RETAINER M
46	123776X		BRKT TRANS RH
52	74780544		BOLT HEX
53	73680500		SUB= 73690500
55	74760612		SUB= 74780612
58	17490512		SCREW
74	104757X		HUB CAP
75	73800600		NUT
78	73350600		NUT