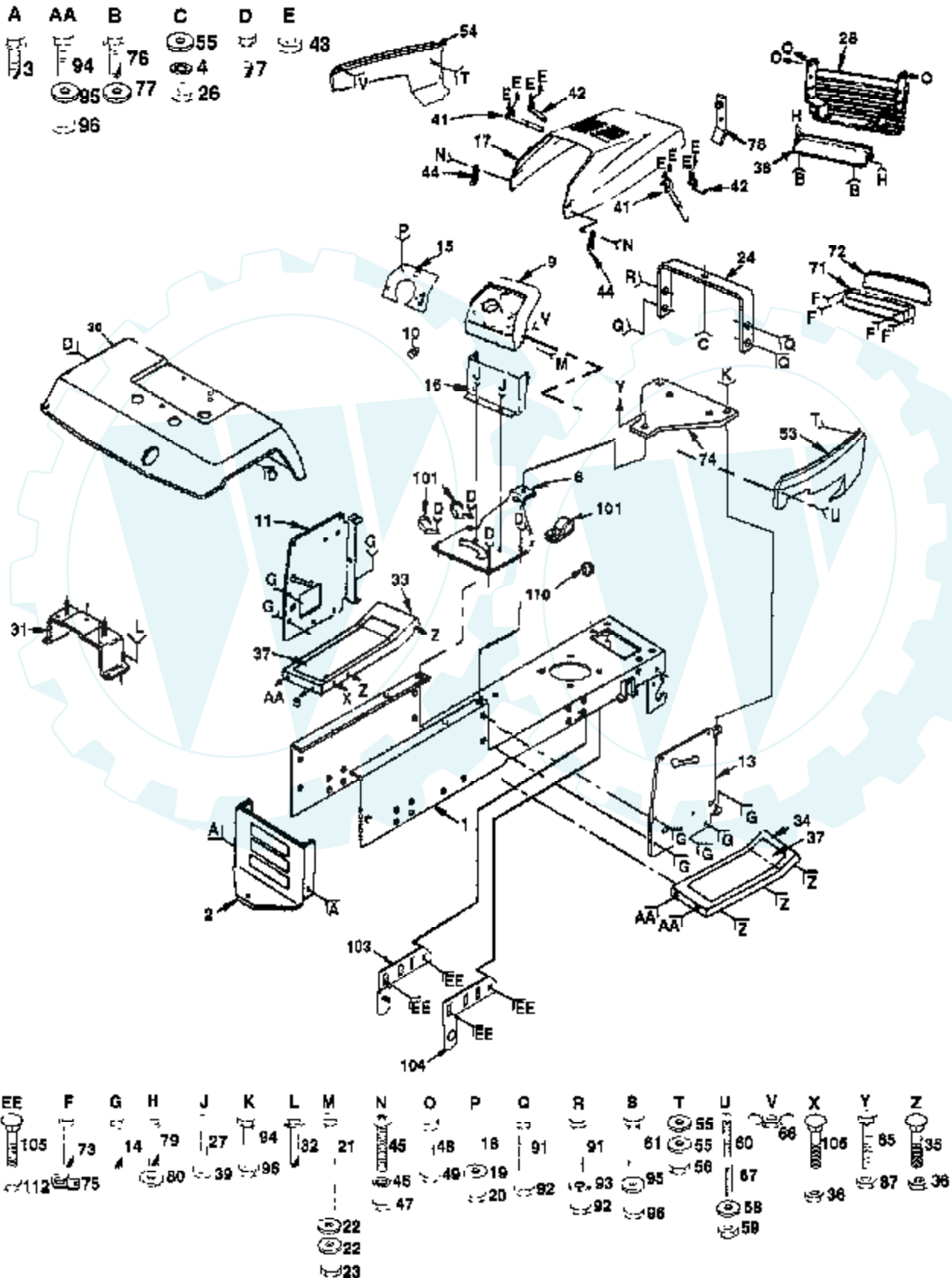


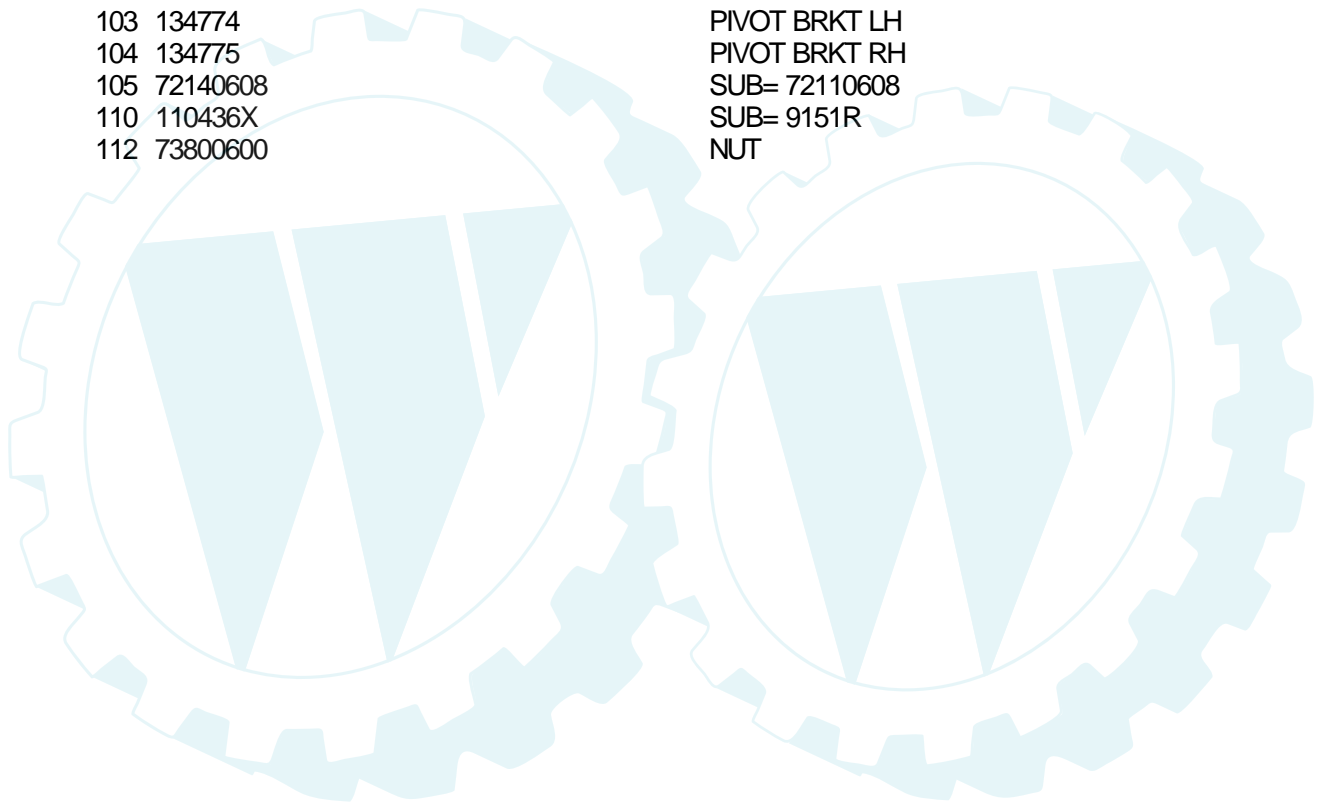
12.5 HP 42" TRACTOR -- MODEL NUMBER X12542A

CHASSIS AND ENCLOSURES



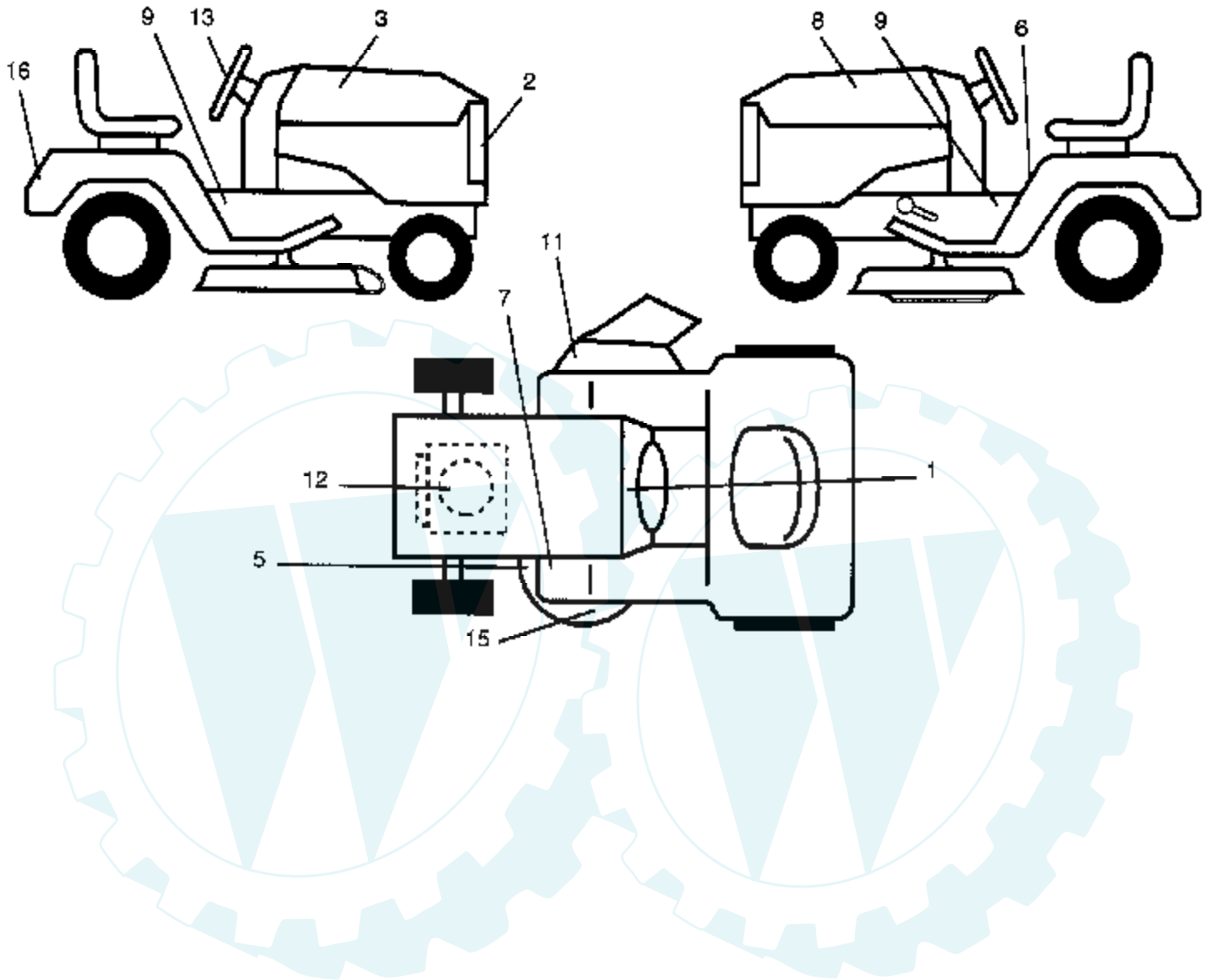
Ref #	Part Number	Qty	Description
1	135034		SUB= 145501
2	137275		SUB= 145009
3	17490612		SCREW
4	10040400		LOCKWASHER
6	131343X037		SADDLE. 6SP
7	17490608		SCREW LT
9	124252X		SUB= 140398
10	5479J		PLUG BUTTON T
11	132178		DASH PANEL LH
13	132069		SUB= 532132069
14	17490612		SCREW
15	135138X014		PLATE.SLKSCR
16	132177		LOWER DASH
17	132635X475		HOOD
18	74180512		SCREW
19	19111116		WASHER
20	73510500		NUT
21	74760620		SUB= 74780620
22	19131312		WASHER
23	73680600		SUB= 73690600
24	124130X		SUPPORT ASS'Y
26	73220400		SUB= 50675
27	74180512		SCREW
28	131716		SUB= 532131716
30	109872X475		FENDER
31	136619		BRKT FENDER
32	17490612		SCREW
33	105465X475		SUB= 145244X475
34	105464X475		SUB= 145243X475
35	72110606		BOLT
36	73680600		SUB= 73690600
37	136619		BRKT FENDER
38	105419X475		"STRAP,GRILL "
39	73510500		NUT
41	106784X		SUB= 155013
42	104618X		SUB= 155013
43	73510400		NUT
44	109808X		HOOD LATCH T
45	74191008		SCREW
46	10071000		LOCKWASHER
47	2029J		WELDNUT
48	123481X		SUB= 7605J
49	73680400		SUB= 73690400
53	137655X475		PANEL.SIDE.RH
54	132637X475		PANEL.SIDE.LH
55	19091216		WASHER PM
56	73220400		SUB= 50675
57	7206J		SPACER LT
58	19070818		WASHER
59	73731000		NUT
60	74981020		SCREW
61	74760614		SUB= 74760616
66	123198X		SUB= 146525
71	124392X417		SUB= 147717
72	106395X		LENS LT
73	17211010		SCREW LT
74	137654		SUB= 140181
75	104755X		"J" FASTENER LT"

Ref #	Part Number	Qty	Description
76	17490512		SCREW
77	19131210		WASHER
78	132644		SUB= 532132644
79	17490412		SCREW HEX CRT
80	19091016		WASHER
85	74760512		BOLT
87	73680500		SUB= 73690500
91	74760612		SUB= 74780612
92	73680600		SUB= 73690600
93	11050600		LOCKWASHER
94	74760612		SUB= 74780612
95	19131312		WASHER
96	73680600		SUB= 73690600
101	2751R		CLIP T
103	134774		PIVOT BRKT LH
104	134775		PIVOT BRKT RH
105	72140608		SUB= 72110608
110	110436X		SUB= 9151R
112	73800600		NUT

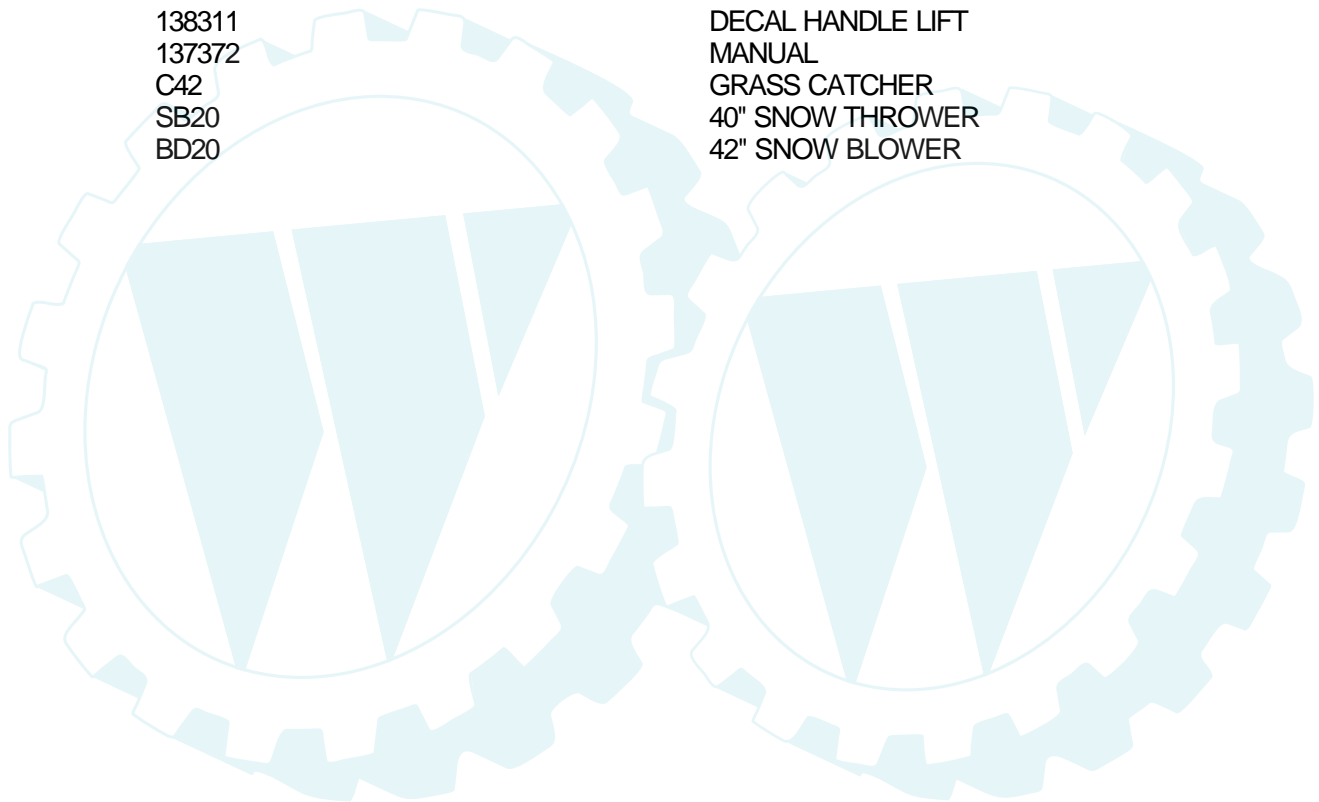


12.5 HP 42" TRACTOR - - MODEL NUMBER X12542A

DECALS

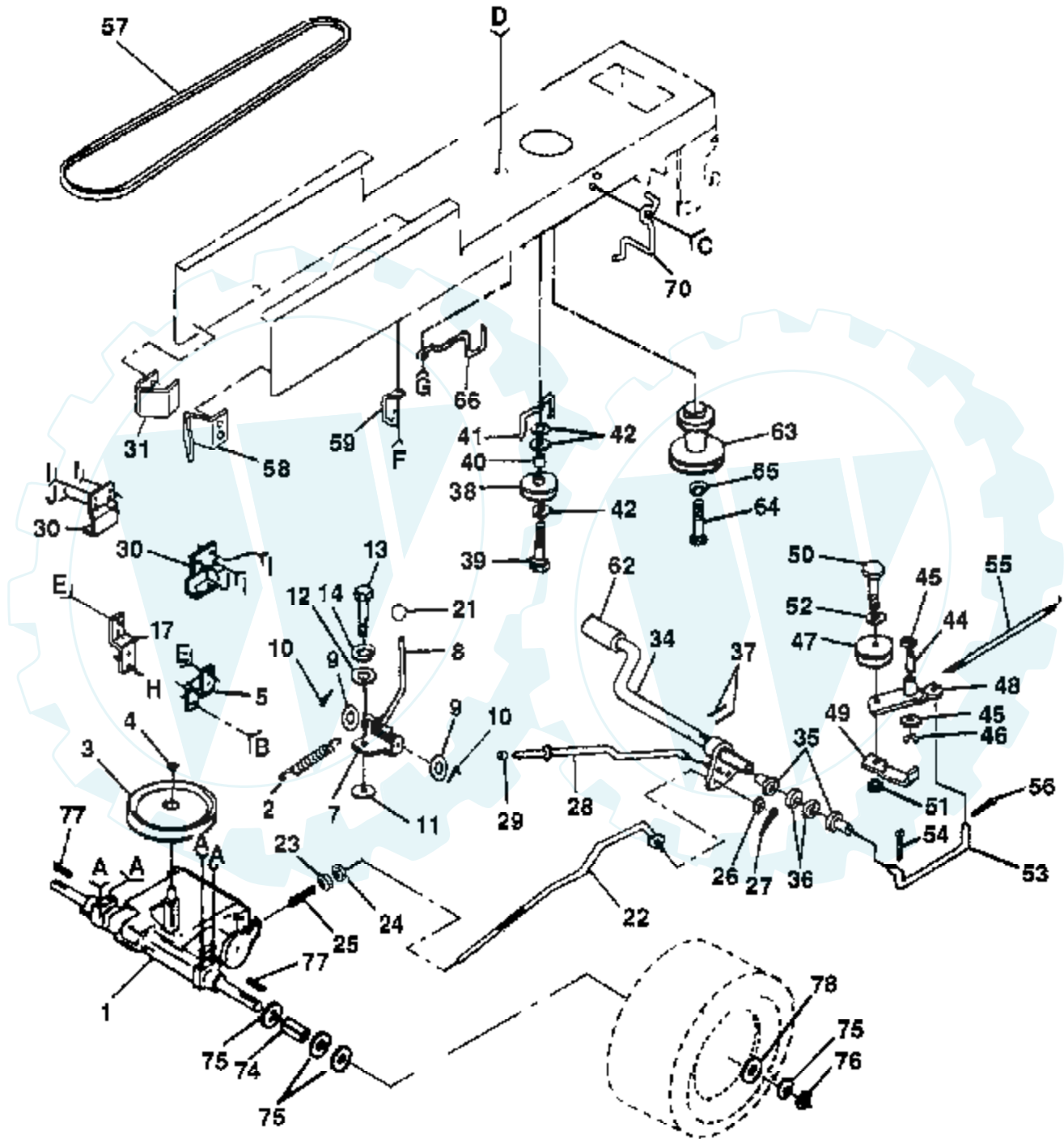


Ref #	Part Number	Qty	Description
1	136795		SUB= 138956
2	1128007		DECAL, GRILL
3	128015		"DECAL,HOOD RH "
5	136832		DECAL
6	133795		DECAL CAUTION
7	101892X		DECAL T
8	128018		NLA
9	134544		DECAL.CHASS.6SP
11	137259		"DECAL, WARNING"
12	129057		SUB= 532129057
13	128008		"DECAL,STR WHL "
15	135013		NLA
16	128006		"DECAL,LOGO"
	139675		MANUAL.O.X12542A
	138311		DECAL HANDLE LIFT
	137372		MANUAL
	C42		GRASS CATCHER
	SB20		40" SNOW THROWER
	BD20		42" SNOW BLOWER



12.5 HP 42" TRACTOR - - MODEL NUMBER X12542A

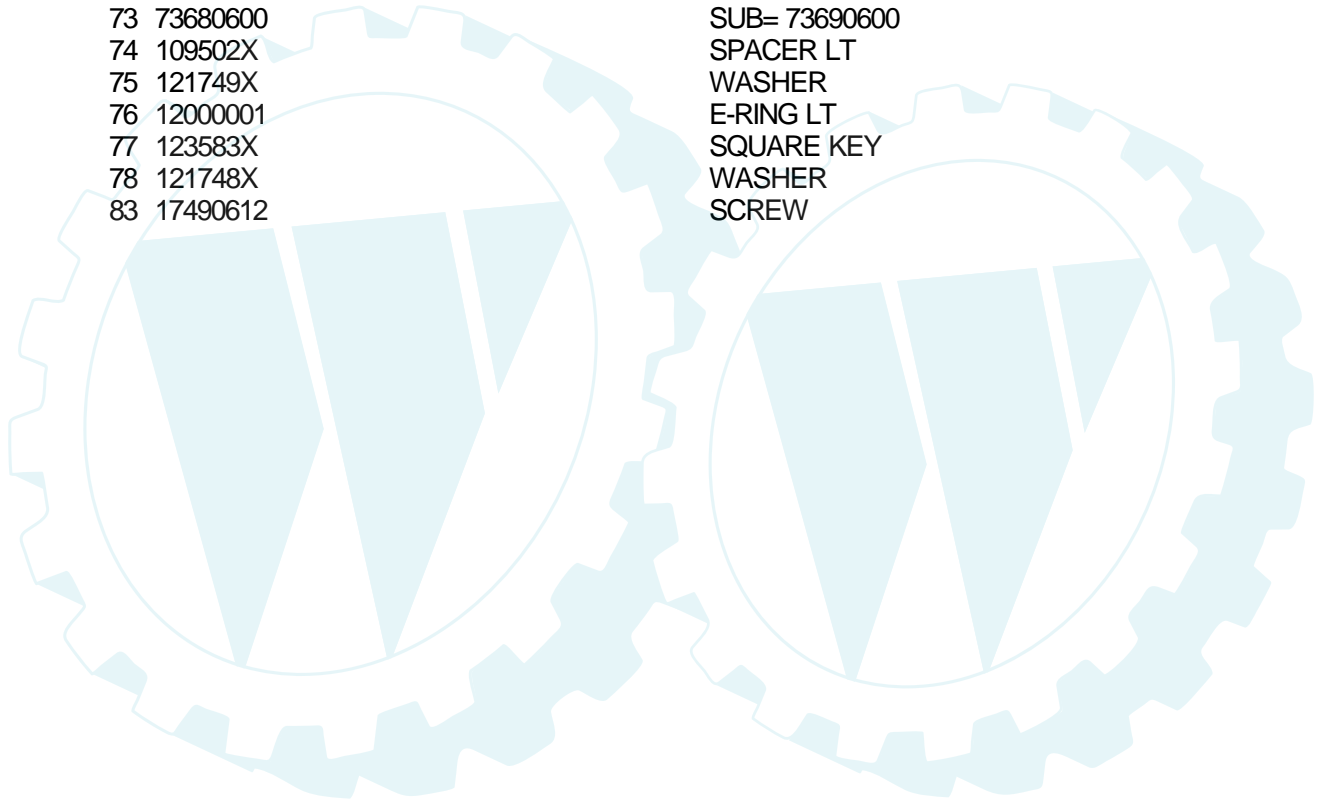
DRIVE



- | | | | | | | | | | |
|----------|----------|----------|----------|----------|----------|----------|----------|----------|----------|
| A | B | C | D | E | F | G | H | I | J |
| | | | | | | | | | |
| | | | | | | | | | |
| | | | | | | | | | |

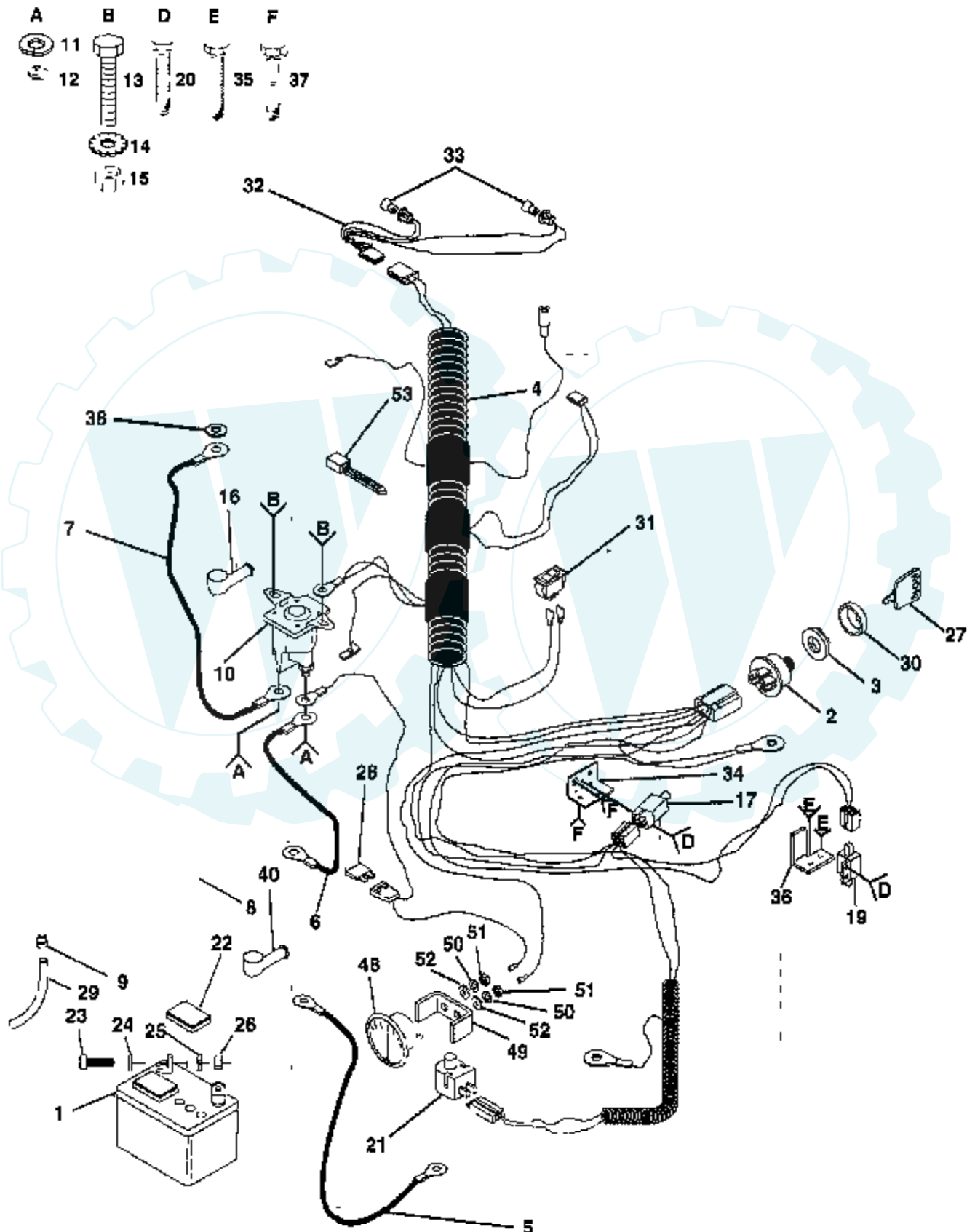
Ref #	Part Number	Qty	Description
1	137369		SUB= 137367
2	110422X		SUB= 146682
3	123667X		"PULLEY,TRANSAXLE"
4	12000028		SUB= 2267J
5	121520X		STRAP TORQUE
6	17490512		SCREW
7	130802		SUB= 162240
8	131679		SHIFT ROD
9	19151216		WASHER
10	76020416		PIN COTTER 1/8
11	105701X		WASH-SHFT PLT LT
12	19091210		WASHER LT
13	71040412		SUB= 74550412
14	10040400		LOCKWASHER
15	74760540		BOLT
16	73680500		SUB= 73690500
17	121520X		STRAP TORQUE
18	74760612		SUB= 74780612
19	73680600		SUB= 73690600
20	17490512		SCREW
21	106933X		KNOB T (1/2-HOLE)
22	130804		BRAKE ROD
23	73800600		NUT
24	73350600		NUT
25	106888X		SPRING ROD LT
26	19131316		WASHER
27	76020412		COTTER PIN
28	133261		BRAKE PARK ROD
29	71673		PLUNGER CAP T
30	130807		TRANSAXLE MTG BKT
31	127289		"KEEPER,BELT LH"
32	74760512		BOLT
33	73680500		SUB= 73690500
34	122424X		SUB= 149001
35	120183X		NYLON BEARING
36	19211616		WASHER LT
37	1572H		SUB= 2882J
38	123674X		PULLEY.IDLER.FLAT
39	74760644		BOLT
40	4470J		SPACER T
41	109070X		BELT KEEPER LT
42	19131312		WASHER
43	73680600		SUB= 73690600
44	105706X		"LY, BEARING"
45	110812X		WASHER LT
46	12000039		KLIP RING
47	127783		SUB= 139245
48	123789X		ARM IDLER
49	123205X		RETAIN BELT
50	74760624		SUB= 74930624
51	73680600		SUB= 73690600
52	19131316		WASHER
53	105710X		"LINK, CLUTCH T"
54	76020412		COTTER PIN
55	105709X		"SPRING, RETURN LT"
56	76020412		COTTER PIN
57	131006		BELT-V
58	127290		"KEEPER,BELT RH"

Ref #	Part Number	Qty	Description
59	136715		SUB= 140312
60	19131312		WASHER
61	17490612		SCREW
62	8883R		PEDAL COVER T
63	134825		SUB= 136004
64	71170764		BOLT
65	10040700		LOCKWASHER
66	129921		KEEPER.BELT.ENG.L
67	74760616		BOLT
68	19131312		WASHER
69	73680600		SUB= 73690600
70	134683		KEEPER BELT ENG
71	74760616		BOLT
72	19132012		WASHER
73	73680600		SUB= 73690600
74	109502X		SPACER LT
75	121749X		WASHER
76	12000001		E-RING LT
77	123583X		SQUARE KEY
78	121748X		WASHER
83	17490612		SCREW



12.5 HP 42" TRACTOR - - MODEL NUMBER X12542A

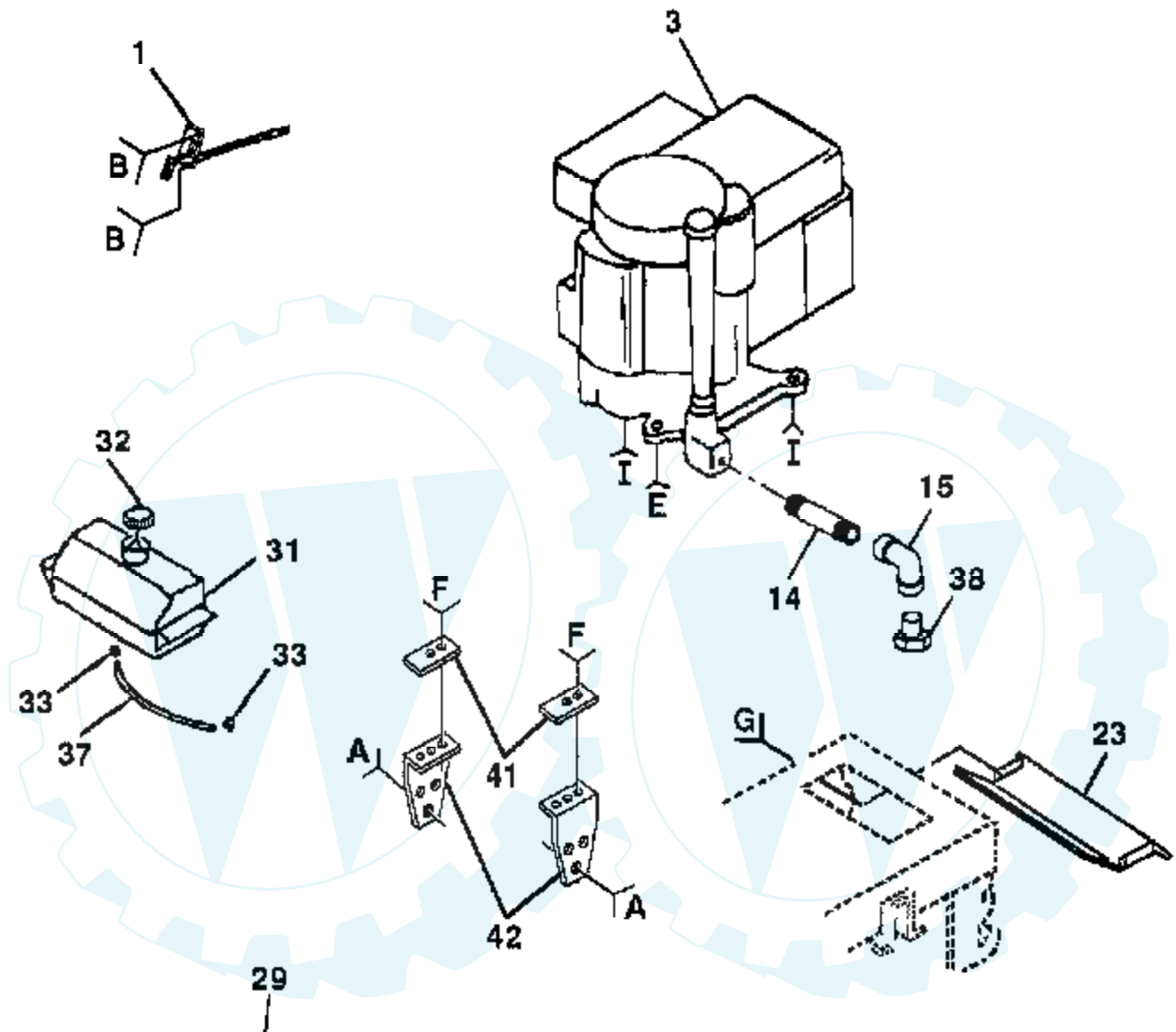
ELECTRICAL



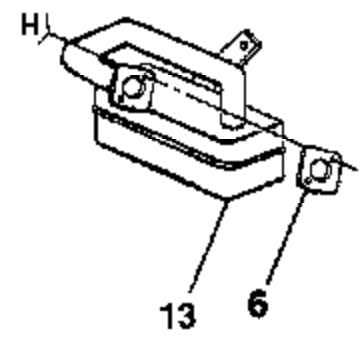
Ref #	Part Number	Qty	Description
1	121265X		SUB= 123899X
2	4406R		SUB= STD365402
3	124211X		NUT IGNITION
4	139085		HARNESS.IGN
5	4207J		CABLE T
6	132202		SUB= 146147
7	4206J		CABLE-BATTERY T
8	133753		BTRY CASE W/O LID
9	109596X		HOSE CLAMP T
10	138406		SUB= 146154
11	10090400		SUB= 10040400
12	73350400		NUT
13	74780408		BOLT
14	11050400		LOCKWASHER
15	73510400		NUT
16	131563		SUB= 154336
17	109553X		SWITCH INTERLOCKT
19	104445X		SWITCH-INTER. GT
20	17021008		SCREW
21	121305X		SWITCH SEAT
22	121264X		"CAP,BATTERY "
23	74760412		BOLT LT
24	19091016		WASHER
25	10040400		LOCKWASHER
26	73220400		SUB= 50675
27	122147X		KEY
28	108824X		FUSE HYT
29	109238X		TUBE T
30	123620X		SUB= 141226
31	110712X		SWITCH LT
32	136849		SUB= 136850
33	7662J		SUB= 4152J
34	130890		SWITCH BRACKET
35	17021008		SCREW
36	108236X		BRACKET LT
37	17021008		SCREW
38	11150400		LOCKWASHER
40	719J		SUB= 154336
48	9433R		AMMETER T
49	131708		SUB= 532131708
50	10101000		SUB= 10071000
51	73911000		NUT
52	19070818		WASHER
53	7192J		WIRE TIE

12.5 HP 42" TRACTOR - - MODEL NUMBER X12542A

ENGINE

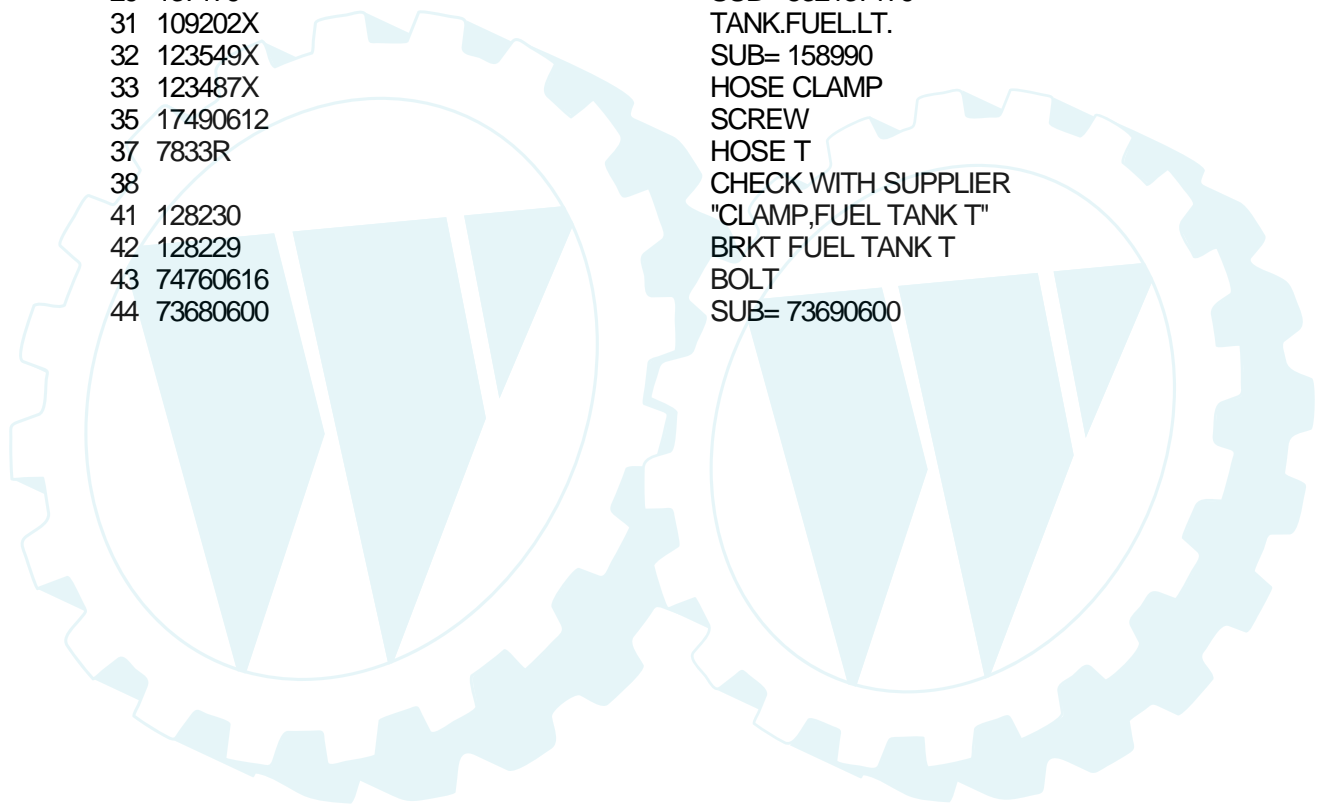


OPTIONAL EQUIPMENT
Spark Arrester



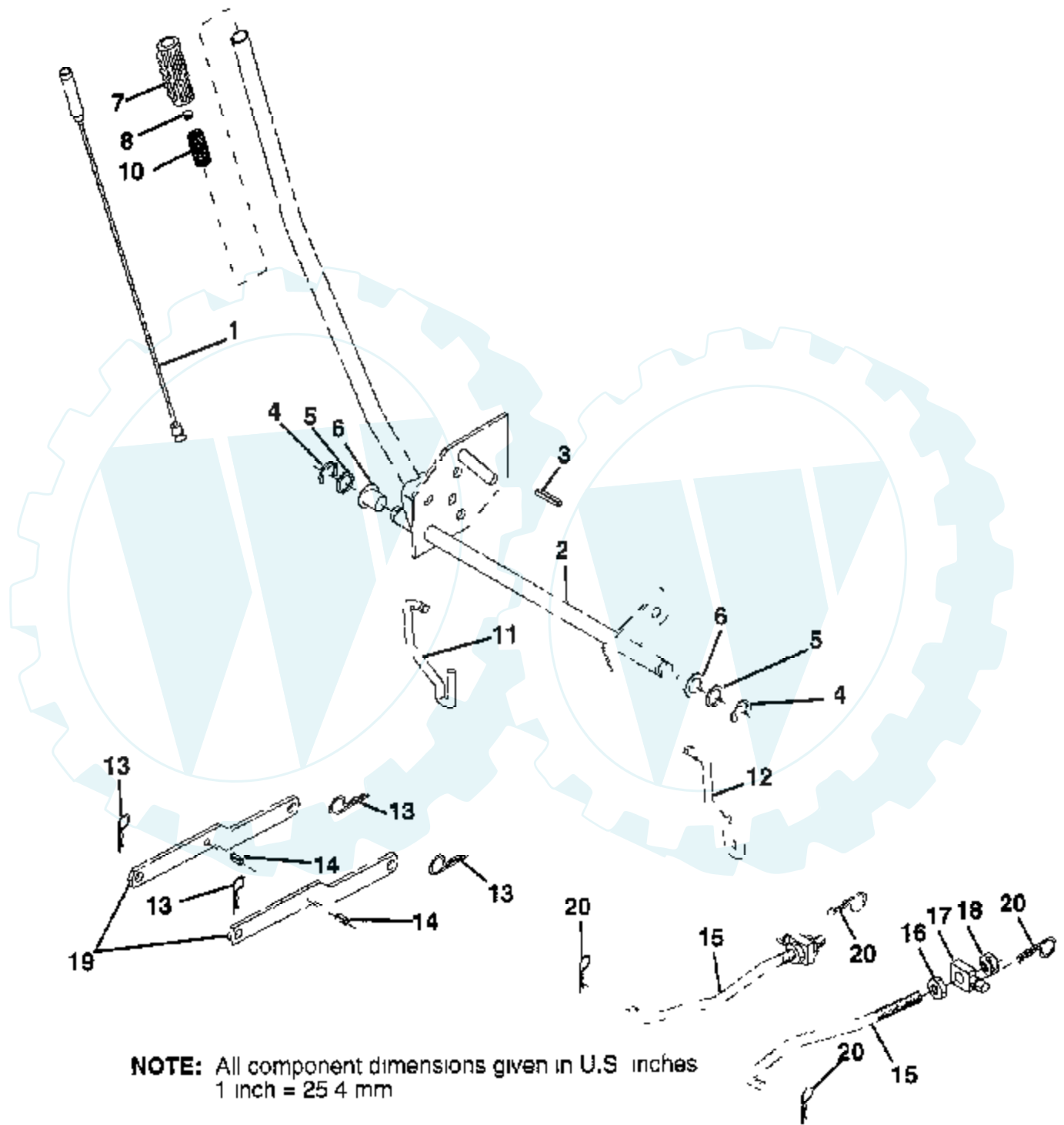
- | | | | | | | |
|----------|----------|----------|----------|----------|----------|----------|
| A | B | E | F | G | H | I |
| | | | | | | |
| 43 | 2 | 17 | 35 | 24 | 8 | 17 |
| | | | | | | |
| 44 | | 16 | | | | 7 |

Ref #	Part Number	Qty	Description
1	132752		"CONTROL,THROTTLE"
2	17720410		SCREW LT
3	286707		ENGINE
6	125593X		SUB= 272293
7	10040500		LOCKWASHER
8	71070512		SCREW
13	137348		MUFFLER
14	13280324		PIPE NIPPLE
15	13200300		ELBOW
16	11050600		LOCKWASHER
17	17490620		SCREW
23	128953		HEAT SHIELD
24	17021008		SCREW
29	137179		SUB= 532137179
31	109202X		TANK.FUEL.LT.
32	123549X		SUB= 158990
33	123487X		HOSE CLAMP
35	17490612		SCREW
37	7833R		HOSE T
38			CHECK WITH SUPPLIER
41	128230		"CLAMP,FUEL TANK T"
42	128229		BRKT FUEL TANK T
43	74760616		BOLT
44	73680600		SUB= 73690600

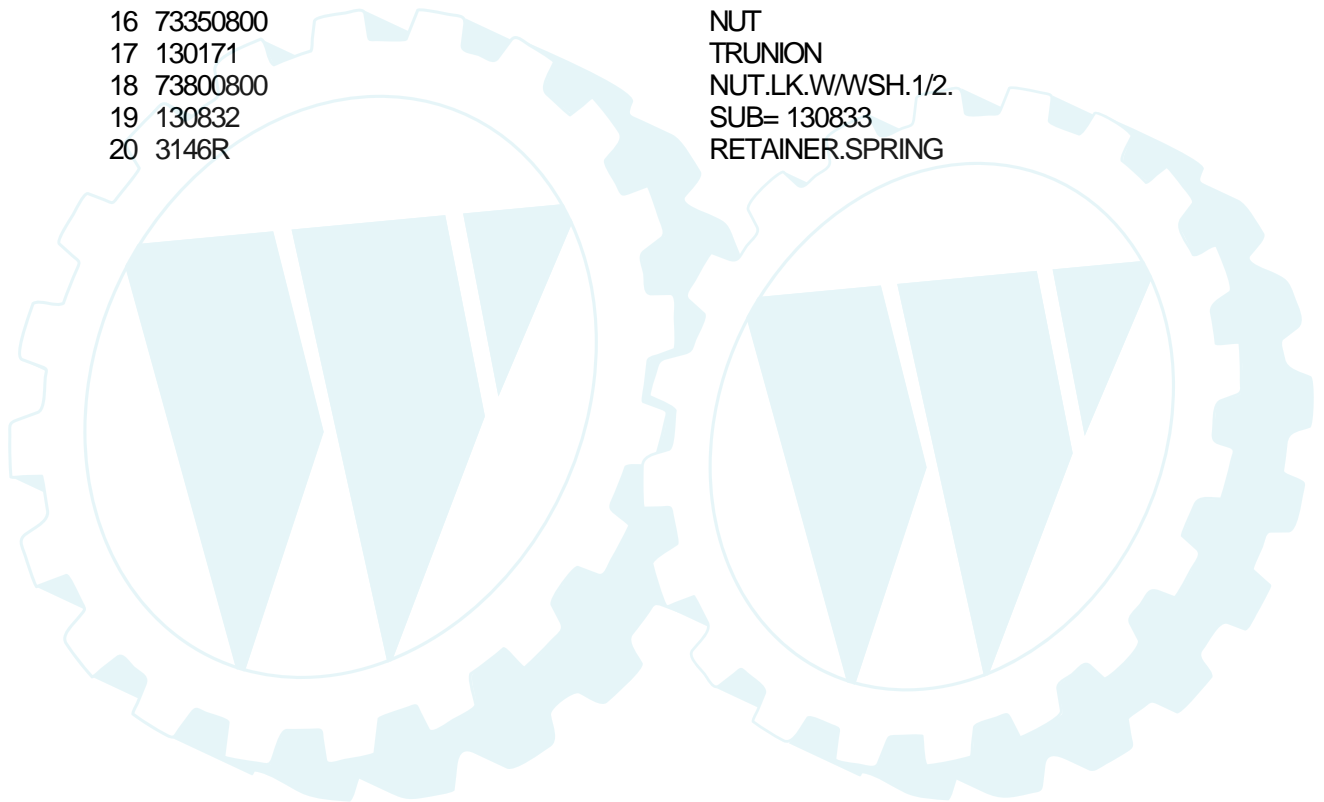


12.5 HP 42" TRACTOR - - MODEL NUMBER X12542A

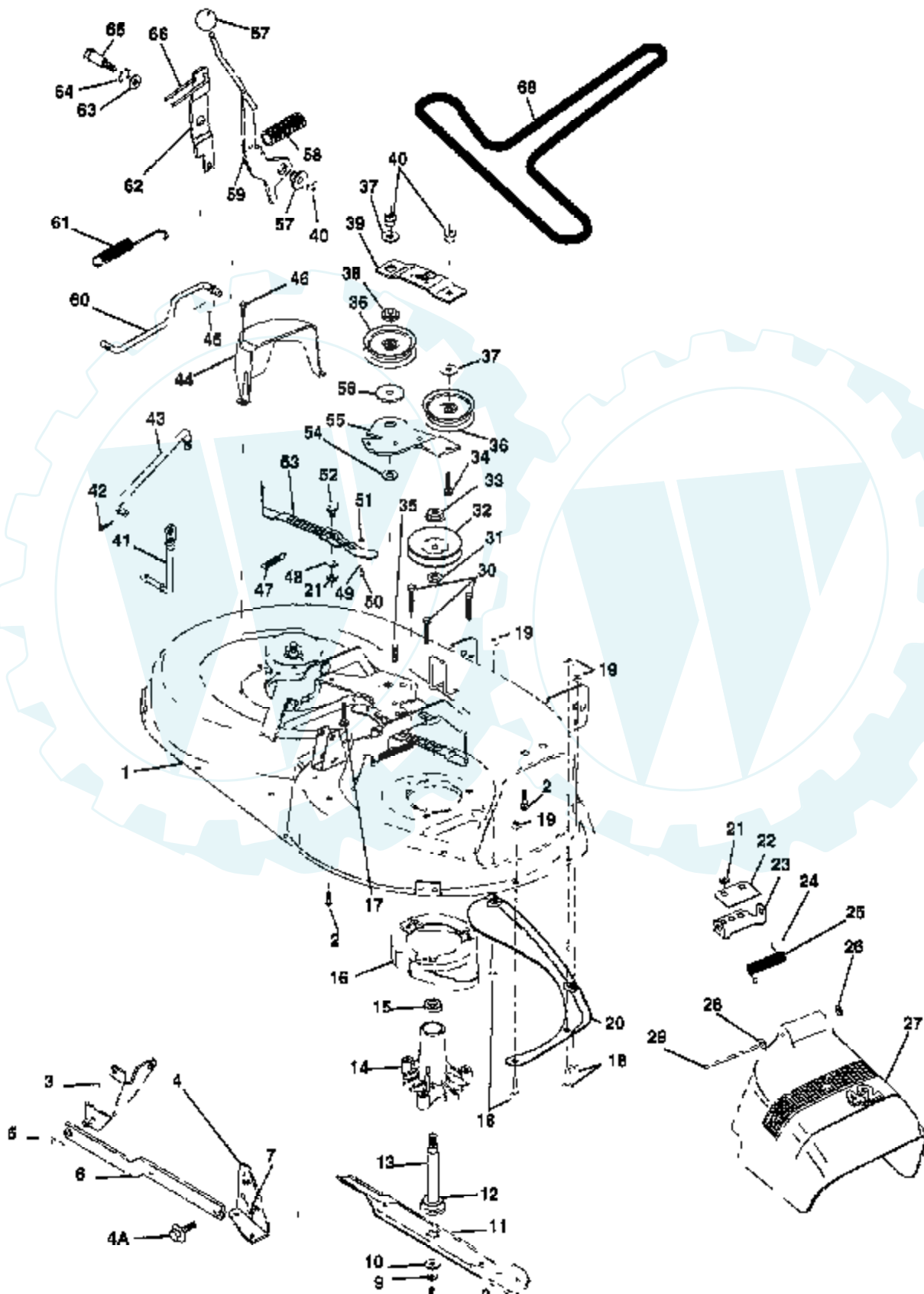
LIFT



Ref #	Part Number	Qty	Description
1	136973		WIRE ASM
2	137111X431		SUB= 137111
3	105767X		PIN-GROOVE LT
4	12000002		SUB= 2225J
5	19211621		WASHER
6	120183X		NYLON BEARING
7	109413X		GRIP
8	124526X		SUB= 125925X
10	122512X		SUB= 532122512
11	134619		LINK LIFT LH
12	135388		LIFT LINK RH
13	4939M		SUB= 85902
14	135563		"PIN,SPRING"
15	127218		LINK.FRONT
16	73350800		NUT
17	130171		TRUNION
18	73800800		NUT.LK.W/WSH.1/2.
19	130832		SUB= 130833
20	3146R		RETAINER.SPRING



12.5 HP 42" TRACTOR - - MODEL NUMBER X12542A 42" MOWER DECK



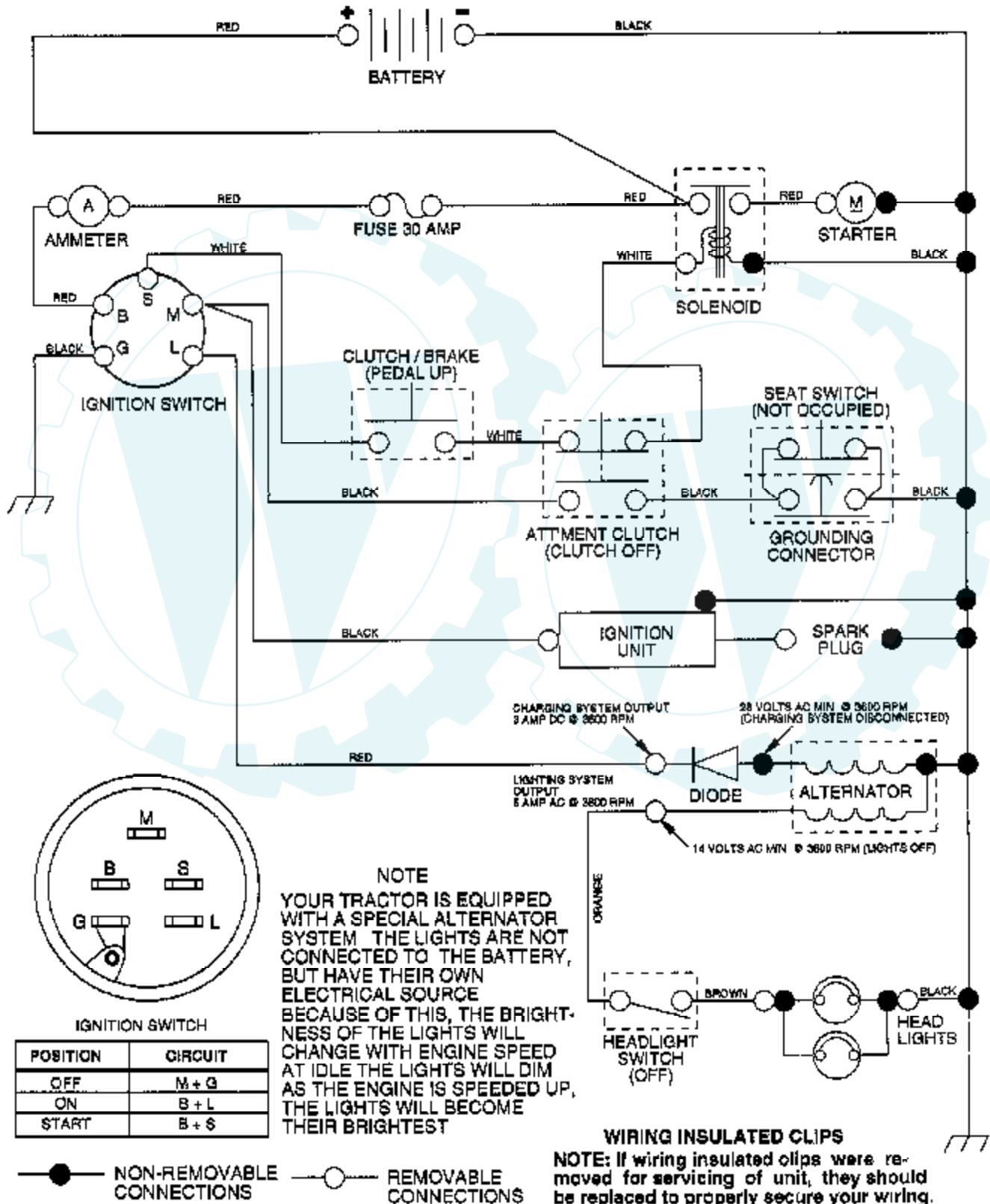
Ref #	Part Number	Qty	Description
1	138024		SUB= 145338
2	72140506		BOLT
3	138017		BRKT ASM SWAY BAR
4	138440		BRKT DECK SW BAR
4A	132827		BOLT SHD 5/16-18
5	4939M		SUB= 85902
6	130832		SUB= 130833
7	73800500		NUT
8	850857		BLADE BOLT
9	10030600		SUB= 10040600
10	129962		WASHER BLADE
11	138498		"BLADE.42"" HIPERF"
12	129895		BEARING.BALL
13	137645		SUB= 137646
14	128774		HSG ASM MANDREL
15	110485X		BEARING
16	136929		SUB= 140329
17	72110618		BOLT CARRIAGE
18	72140505		BOLT
19	73800500		NUT
20	136888		SUB= 918136888
21	73680500		SUB= 73690500
22	134753		STIFFENER BRKT
23	131267		DEFLECTOR BRKT
24	105304X		CAP-SLEEVE LT
25	123713X		SPRING TORSION
26	110452X		NUT PUSH M
27	130968		DEFLECTOR.SHIELD
28	19111016		WASHER
29	131491		HINGE ROD
30	78158		SUB= 17580520
31	129963		WASHER
32	129861		SUB= 153535
33	137266		SUB= 139729
34	72110614		BOLT
35	133835		XMAS TREE FASTNER
36	131494		FLAT IDLER PULLEY
37	19131612		WASHER GT
38	133502		RETAINER SPACER
39	133503		IDLER ARM STIFF
40	73680600		SUB= 73690600
41	133551		PIVOT ROD
42	76020312		SUB= 3145
43	133504		CLUTCH ROD SECOND
44	134236		SUB= 140088
45	4497H		RETAINER M
46	137729		SCREW.1/4-20X5/8
47	131335		SPRING EXTENSION
48	133944		HARD SMALL WASHER
49	133940		SUB= 151785
50	131340		SHOULDER BOLT
51	69180		LOCKNUT
52	105529X		SUB= 139888
53	131845		BRAKE PAD ARM ASM
54	133943		HARDENED WASHER
55	133844		IDLER ARM
56	122052X		SPACER RETAINER
57	127498		BUSHING

Ref #	Part Number	Qty	Description
58	128759		SUB= 918128759
59	138003		LEVER.ASM.CLUTCH
60	134666		"ROD, CLUTCH PRIM"
61	131870		RETURN SPRING
62	127847		CLUTCH ARM SECOND
63	121748X		WASHER
64	12000029		RING
65	128903		SHOULDER BOLT
66	127845		SPRING KEEPER
67	132044		SUB= 532132044
68	130969		BELT-V.92.4.MWR
	130794		MANDREL ASM
	138358		SUB= 145411



12.5 HP 42" TRACTOR - - MODEL NUMBER X12542A

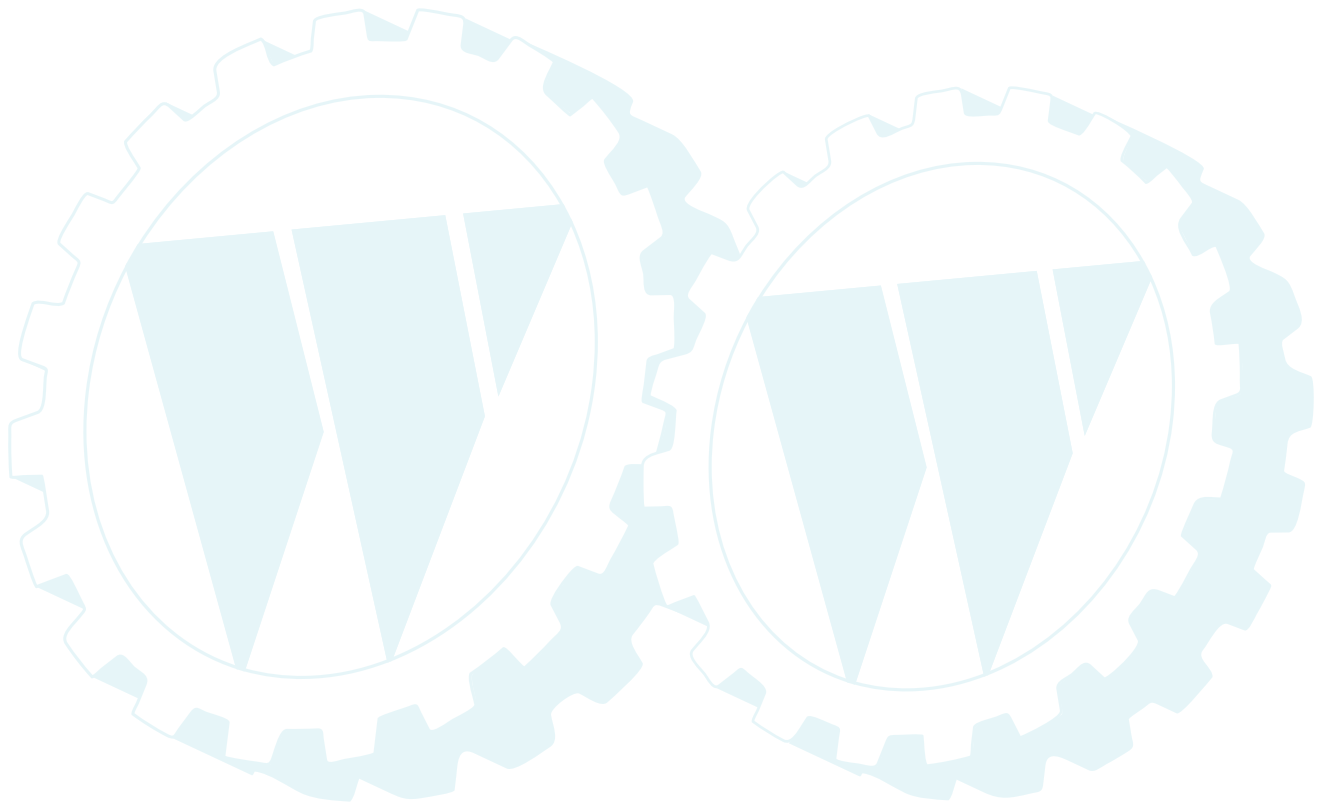
SCHEMATIC



Ref # Part Number

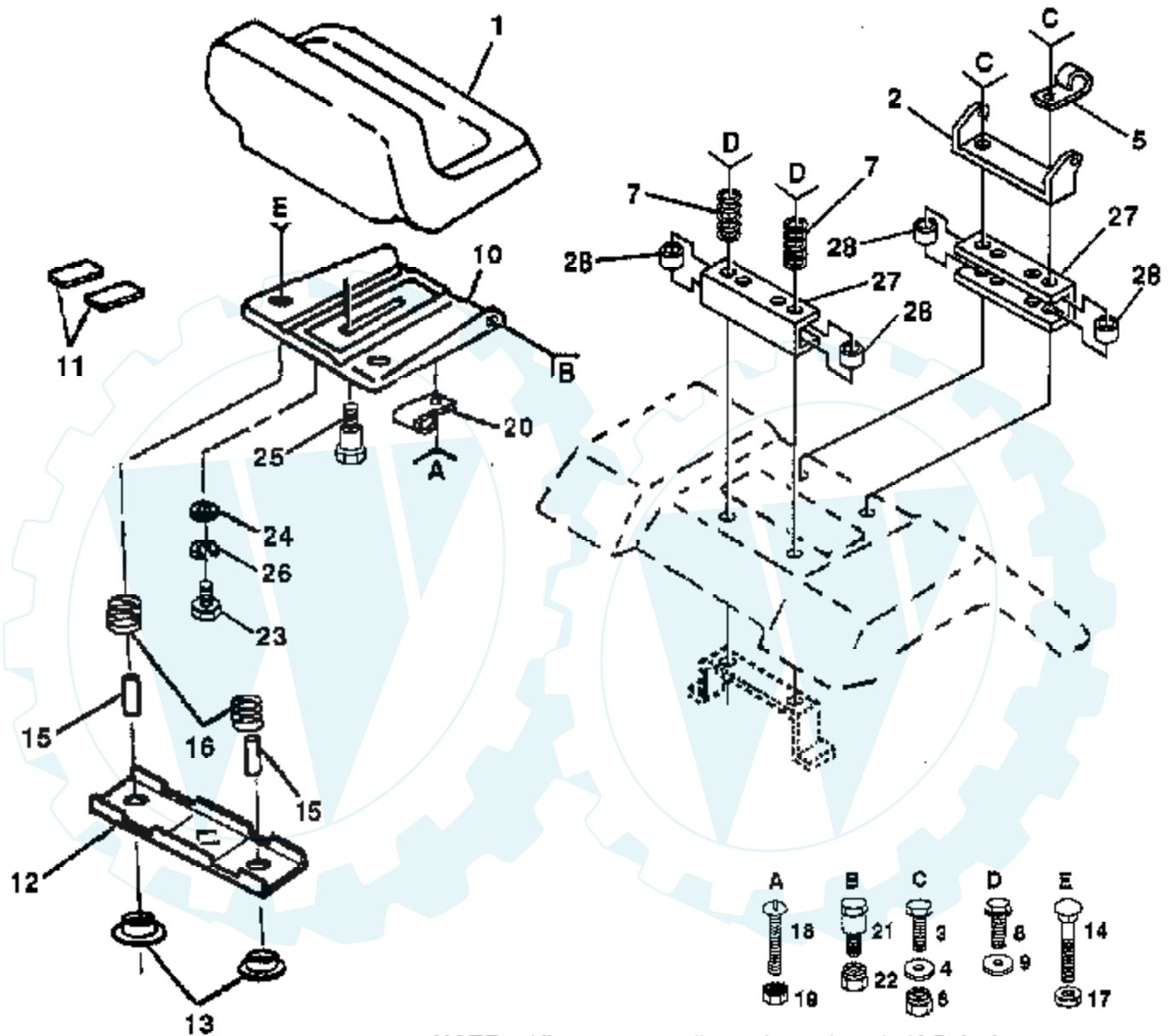
Qty Description

REFER TO IMAGE



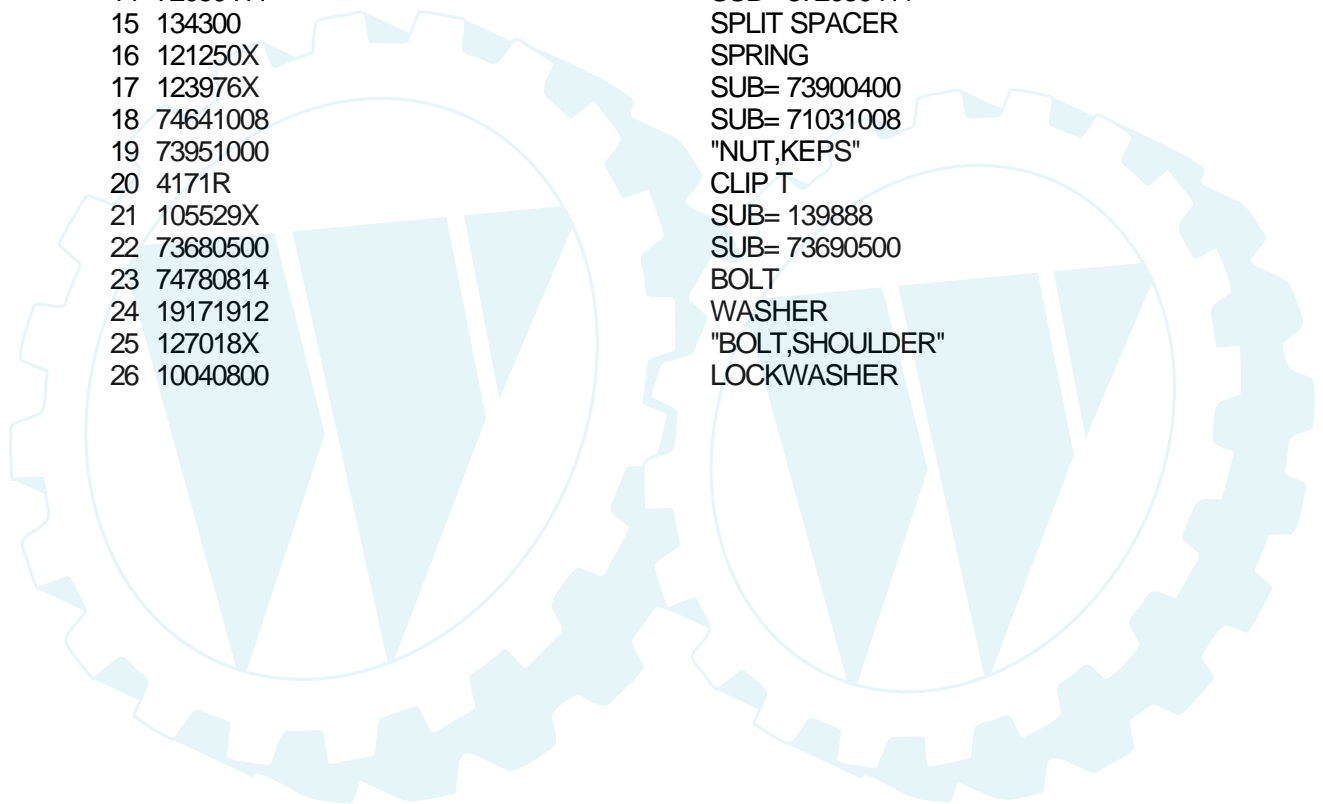
12.5 HP 42" TRACTOR - - MODEL NUMBER X12542A

SEAT ASSEMBLY



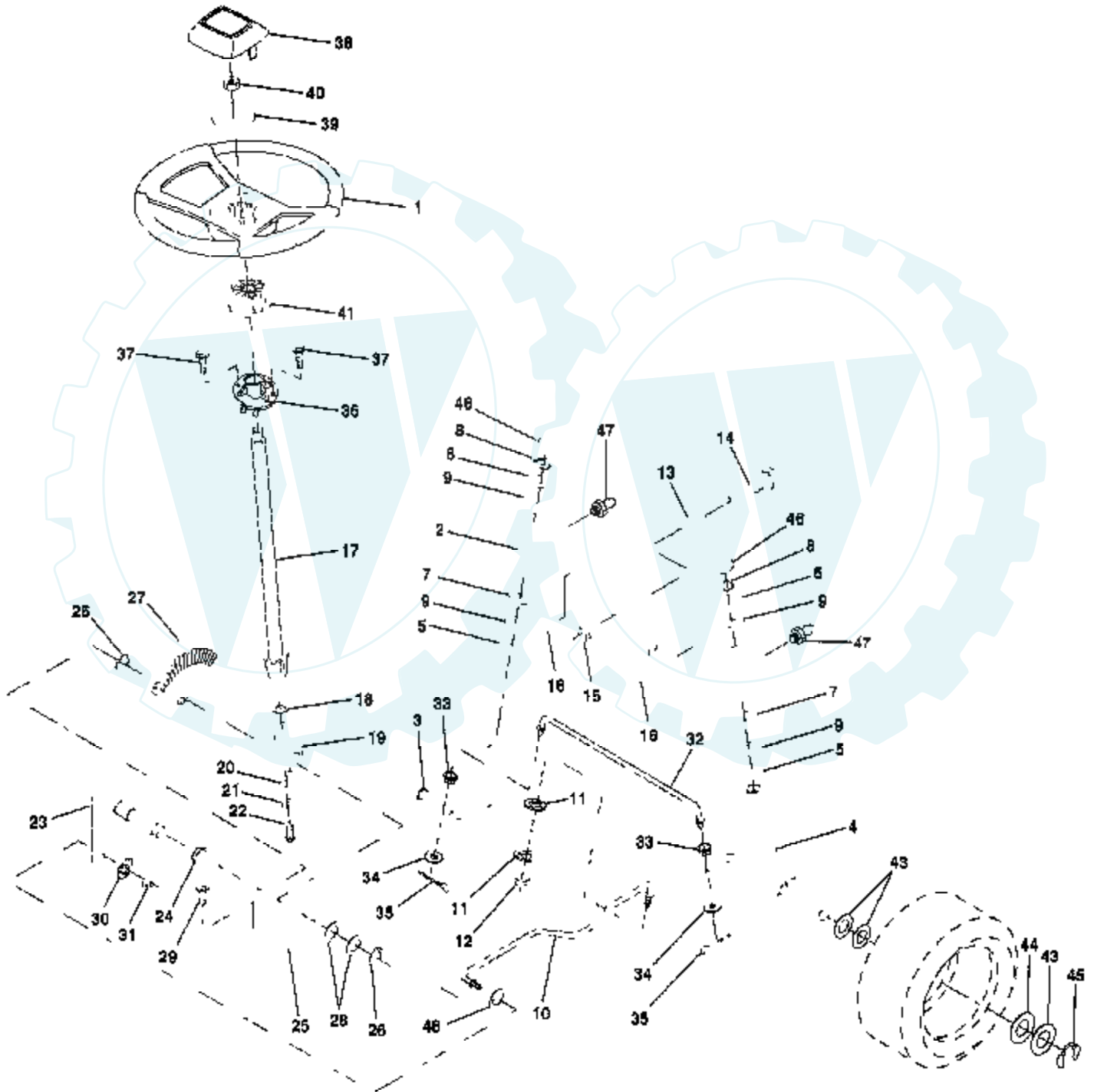
NOTE: All component dimensions given in U.S. inches -
1 Inch = 25.4 mm.

Ref #	Part Number	Qty	Description
1	127427		SUB= 140119
2	126656X		SUB= 140551
3	74760612		SUB= 74780612
4	19131210		WASHER
5	2751R		CLIP T
6	73680600		SUB= 73690600
7	124181X		SPRING COMPRESSIO
8	17490640		SCREW
9	19131614		WASHER
10	131541		SUB= 155925
11	121251X		STRIP FORM
12	121246X		BRKT SWITCH
13	121248X		BUSHING
14	72050411		SUB= 872050411
15	134300		SPLIT SPACER
16	121250X		SPRING
17	123976X		SUB= 73900400
18	74641008		SUB= 71031008
19	73951000		"NUT,KEPS"
20	4171R		CLIP T
21	105529X		SUB= 139888
22	73680500		SUB= 73690500
23	74780814		BOLT
24	19171912		WASHER
25	127018X		"BOLT,SHOULDER"
26	10040800		LOCKWASHER



12.5 HP 42" TRACTOR - - MODEL NUMBER X12542A

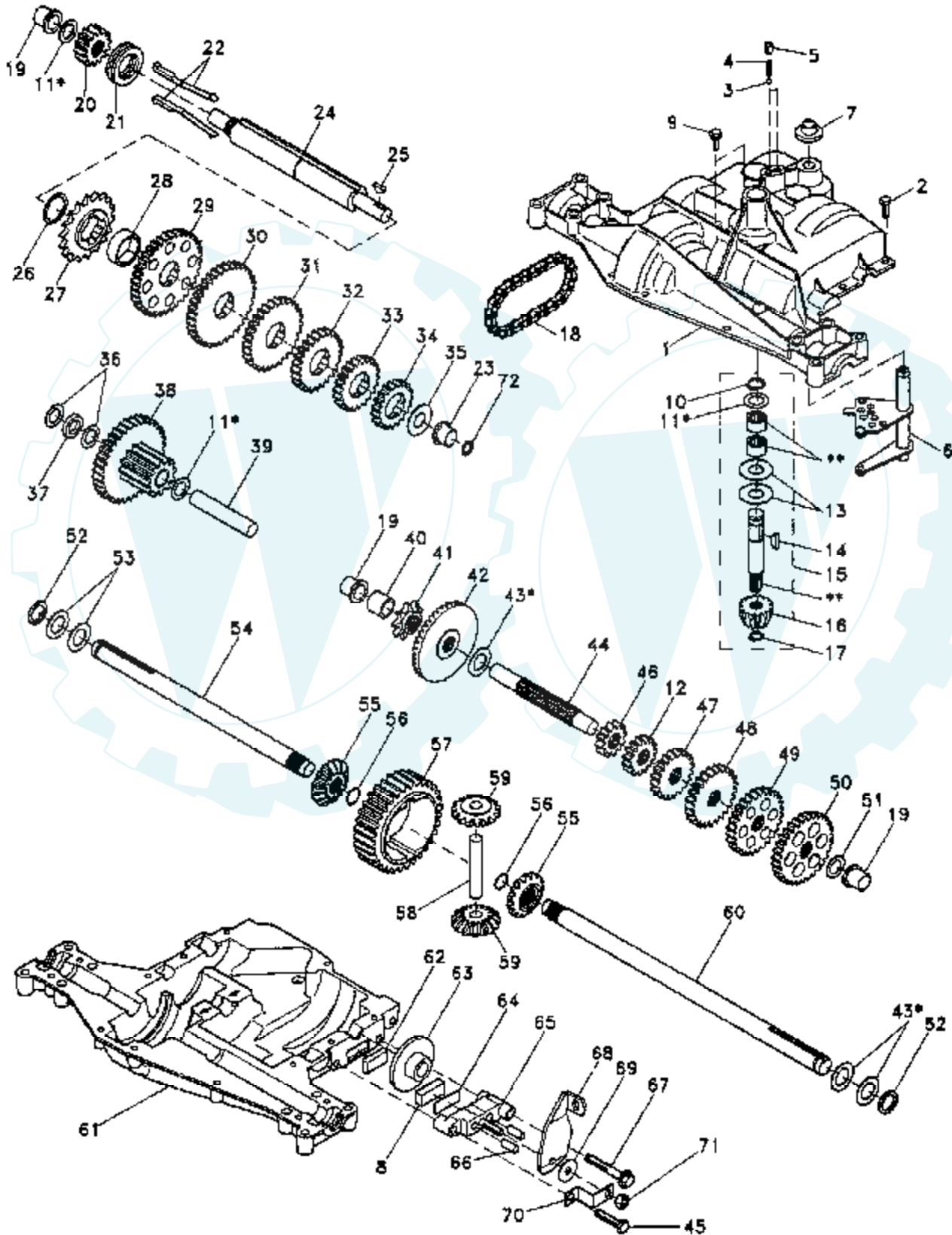
STEERING ASSEMBLY



Ref #	Part Number	Qty	Description
1	133741		SUB= 150547
2	133988		SUB= 142033
3	135227		SPINDLE LH
4	135228		SPINDLE RH
5	6266H		WASHER .T
6	121748X		WASHER
7	19272016		WASHER
8	12000029		RING
9	3366R		COL. SRTG. BEAR.
10	130468		SUB= 532130468
11	10040600		LOCKWASHER
12	73610600		SUB= 7810H
13	110438X		BEARING
14	74011056		BOLT HEX 5/8-11
15	73901000		"NUT-LOC,FLANGE LT"
16	132624		AXLE PIN
17	128785		SHIFT, ASM.,STRG LT
18	57079		THRUST WASHER
19	124035X		SUPPORT.SHAFT
20	126684X		SUB= 532126684
21	10040400		LOCKWASHER
22	71070410		"SCREW,SPECIAL"
23	127501		SUB= 918127501
24	109816X		NYLINER T
25	124036X		"BRKT,STEERING"
26	12000029		RING
27	136874		GEAR SECTOR
28	6266H		WASHER .T
29	17490612		SCREW
30	10040600		LOCKWASHER
31	73610600		SUB= 7810H
32	130465		TIE ROD
33	126847X		BUSHING.DRAGLINK
34	19131416		WASHER
35	76020412		COTTER PIN
36	1554J		SUB= 155108
37	17431008		SUB= 98000165
38	133742		ST WHL INSERT CAP
39	100712K		WASHER
40	73940800		SUB= 73360800
41	100711L		ADAPTER LT
43	121749X		WASHER
44	121748X		WASHER
45	12000029		RING
46	121232X		CAP
47	6855M		ZERK M
48	19131210		WASHER

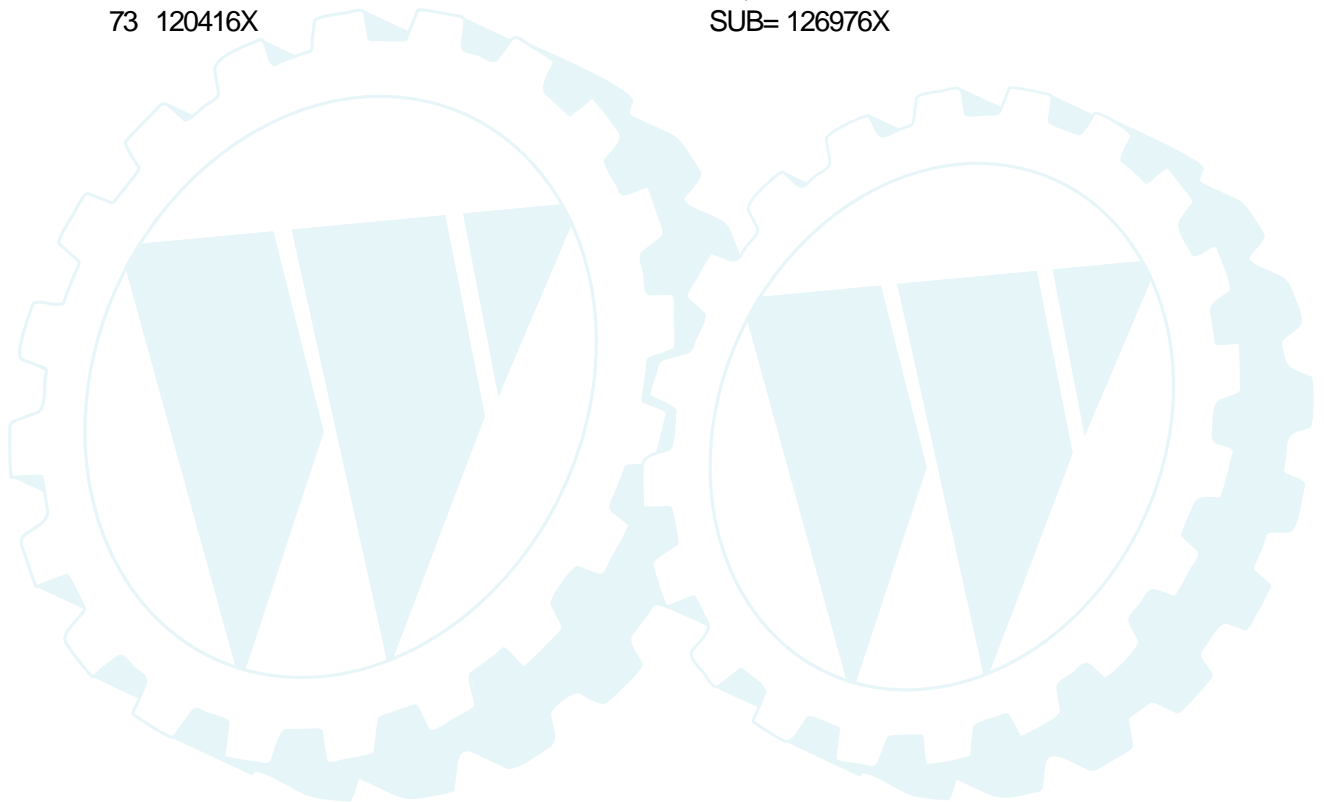
12.5 HP 42" TRACTOR - - MODEL NUMBER X12542A TRANSAXLE DANA - MODEL NUMBER 4360-54

TRANSAXLE



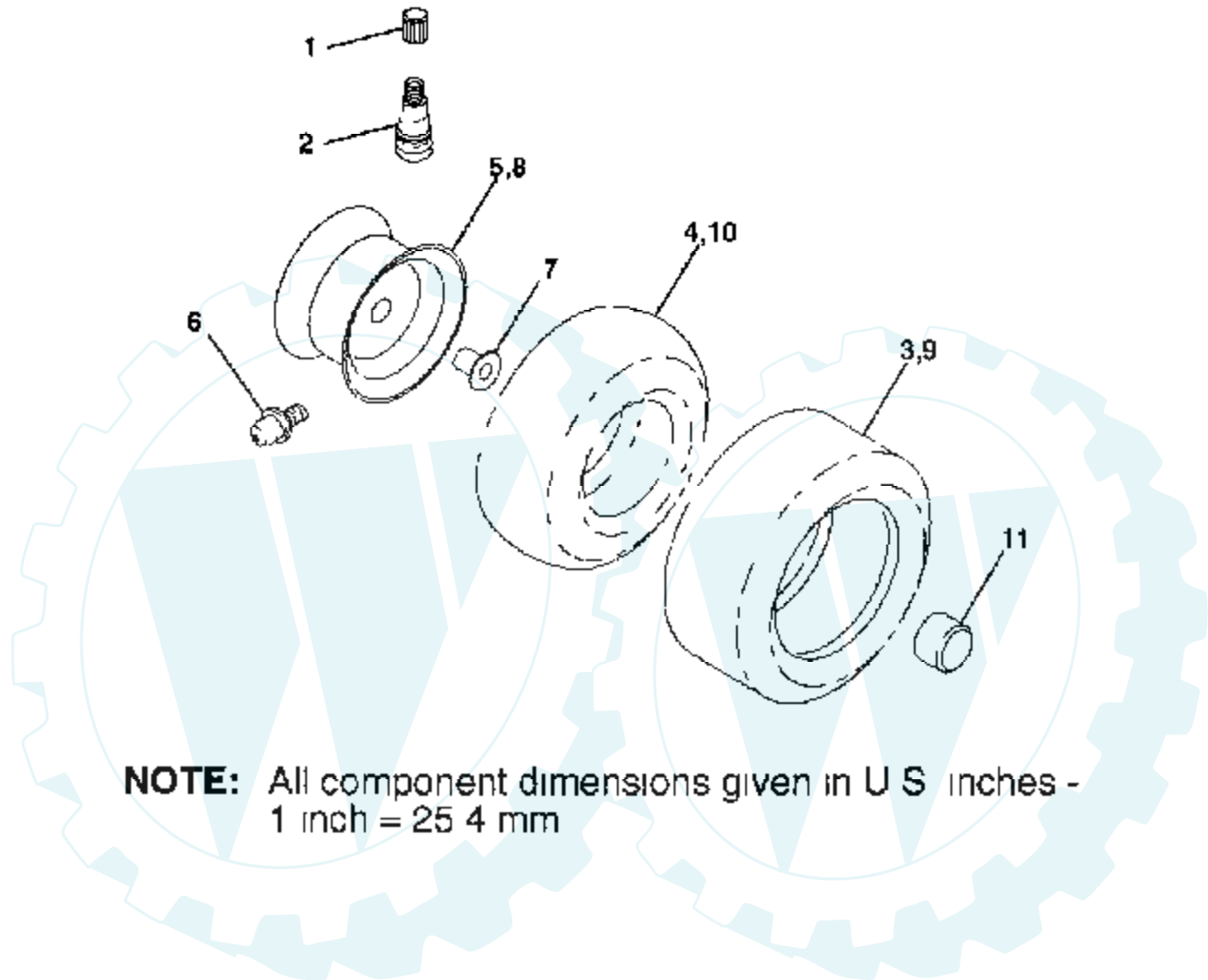
Ref #	Part Number	Qty	Description
1	138248		SUB= 160951
2	2274J		SUB= 74760412
3	134400		SUB= 68003
4	105904X		"SPRING, DETENT LT"
5	105905X		"SCREW, SET LT"
6	134788		SHIFTER.ASM.KIT.
7	134399		SHIFTER BOOT
8	120951X		PUCK T
9	134791		SCREW TAP W/SEAL
10	2267J		RETAINING RING LT
11	134793		ASM KIT SHIM 4689
12	106151X		SUB= 144893
13	120415X		WASHER T
14	2257J		WOODRUFF KEY
15	106846X		SUB= 167148
16	106095X		SUB= 95-8060-6F
17	105909X		"RING,RETAINING LT"
18	105910X		"CHAIN,24 PTCH LT"
19	105911X		BEARING.FLNG.5510
20	138242		GEAR SPUR 14T
21	138246		COLLAR CLUTCH
22	138237		KIT.ASM.CLUTCH KY
23	138240		"FLANGE, BEARING"
24	138243		SHAFT INTERM
25	2244J		WOODRUFF KEY
26	105916X		"RING,RETAINING LT"
27	120470X		SPROCKET 18T T
28	110070X		SPACER YT
29	108977X		KIT.GEAR.12/37TH
30	109254X		SUB= 144893
31	124644X		GEAR SPUR 30T
32	108980X		GEAR 25T LT
33	120406X		GEAR SPUR 22 TT
34	134796		SPUR GEAR 19T
35	105925X		"WASHER, PLAIN LT"
36	2232J		WASHER 025
37	108978X		SPACER
38	110079X		ASSM GEAR COMB
39	124639X		SHAFT IDLER
40	120472X		SPACER T
41	105928X		SPROCKET 9T LT
42	106605X		SUB= 167148
43	134394		ASM KIT SHIM
44	120473X		SHAFT T
45	106596X		"SCREW, TAPPING LT"
46	105933X		SUB= 108977X
47	120407X		SUB= 124641X
48	106589X		"GEAR, SPUR 25T LT"
49	120408X		GEAR 28T T
50	105937X		"GEAR, SPUR 31T LT"
51	2226J		WASHER 060
52	134401		NEOPRENE WASHER
53	2264J		WASHER 031
54	120474X		SUB= 154658
55	120409X		GEAR LT
56	105941X		"RING,RETAINING LT"
57	110071X		SUB= 120478X
58	120952X		SHAFT T

Ref #	Part Number	Qty	Description
59	106592X		"GEAR,MITER 15T YT"
60	120475X		SUB= 154659
61	138247		SUB= 160951
62	120961X		PUCK T
63	7294J		BRAKE DISC. T
64	108989X		SPACER LT
65	120953X		SUB= 918120953X
66	120954X		PIN T
67	134799		TAP SCREW
68	138244		SUB= 108992X
69	108996X		WASHER LT
70	120956X		NLA
71	73810500		NUT.LOCK.5/16-24
72	138241		SQUARE RING
73	120416X		SUB= 126976X



12.5 HP 42" TRACTOR - - MODEL NUMBER X12542A

WHEELS & TIRES



NOTE: All component dimensions given in U S inches -
1 inch = 25.4 mm

Ref #	Part Number	Qty	Description
1	59192		VALVE CAP
2	65139		VALVE STEM LT
3	106222X		SUB= 122073X
4	59904		TUBE.5.3/4.5/6
5	106732X475		"RIM,FRT 6""
6	278H		FITTING LT
7	9040H		"FLANGE, BEARING"
8	106108X475		"RIM,REAR"
9	138468		TIRE.20X8-8
10	7152J		TUBE.18X9.5-8
11	104757X		HUB CAP

