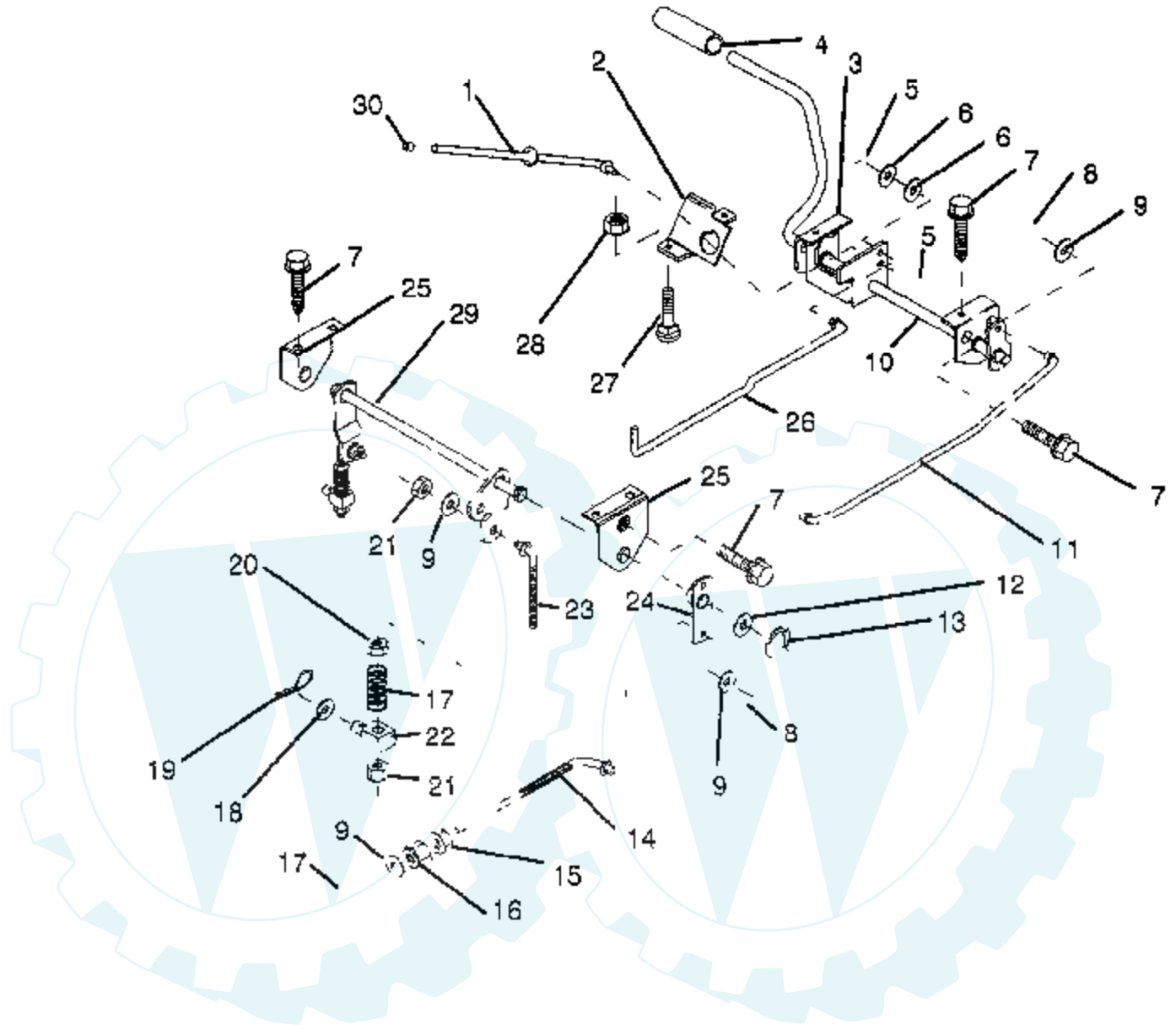
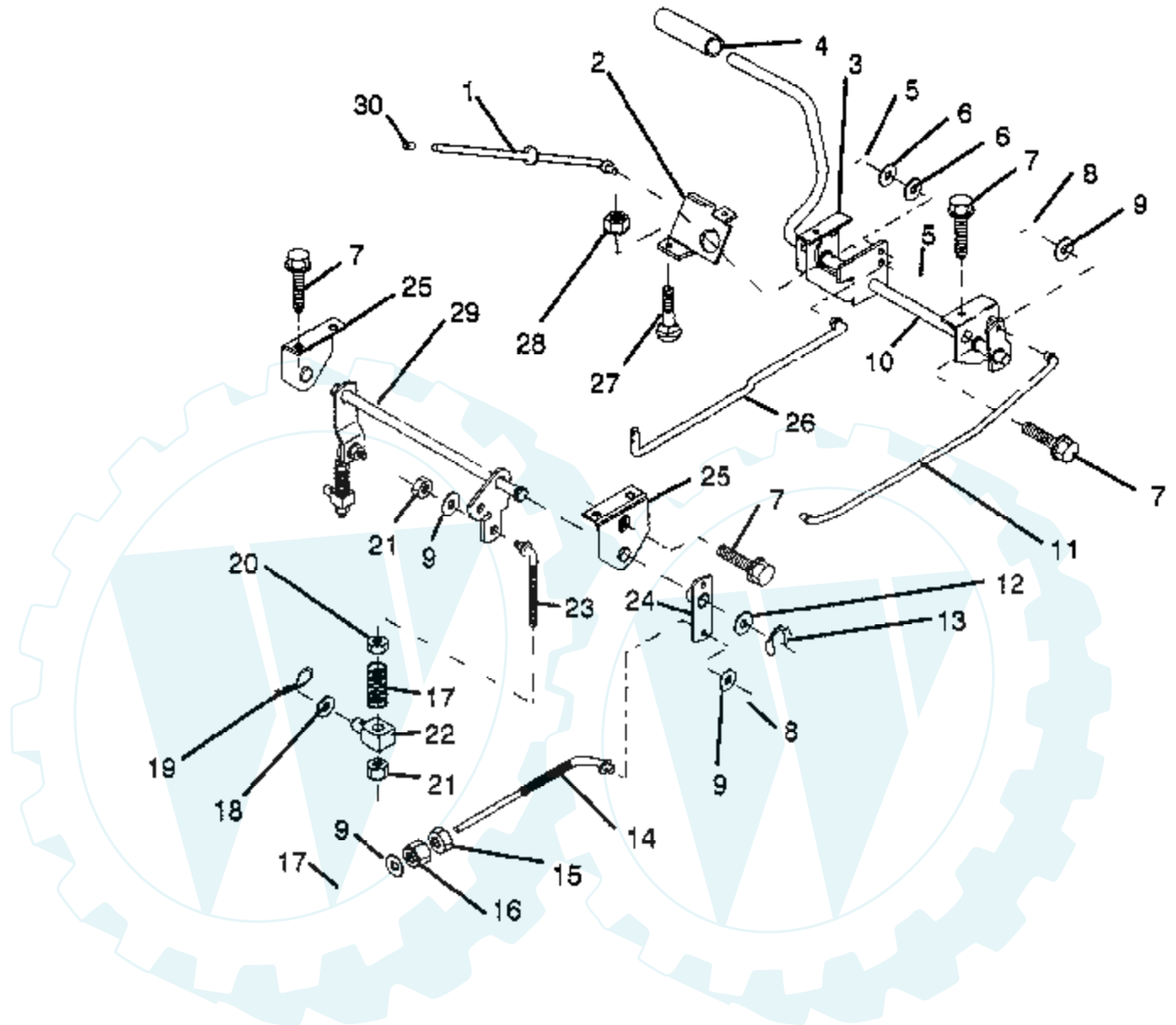


BRAKE / REAR MOWER LIFT ASSEMBLY



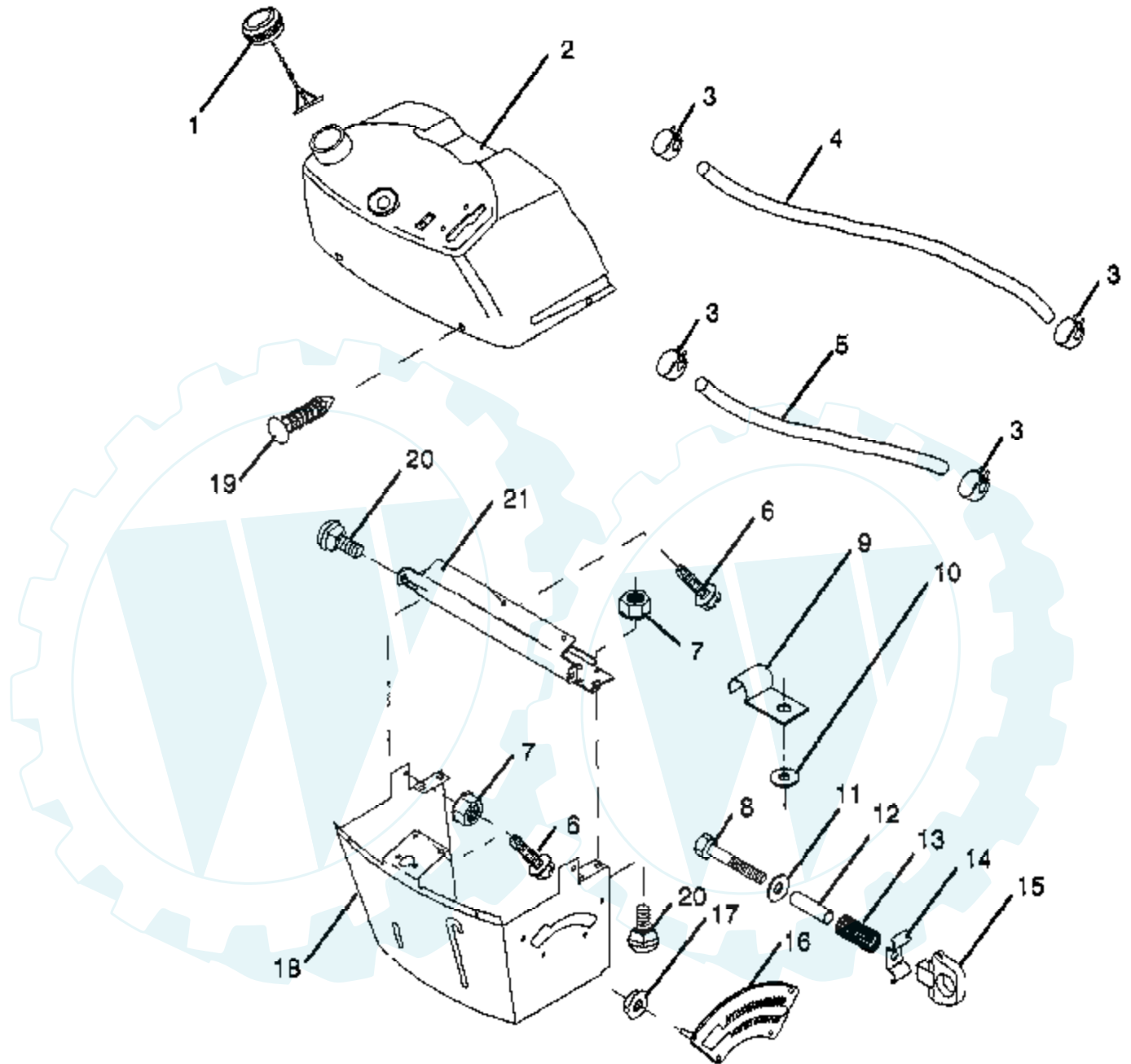
Ref #	Part Number	Qty	Description
1	123436X		"ROD,PARK BRAKE"
2	123437X		"BRKT,PARK BRAKE"
3	122504X		"BRKT,CLU PEDAL LH"
4	8883R		PEDAL COVER T
5	76020312		SUB= 3145
6	19131016		WASHER
7	17490508		SCREW LT
8	76020412		COTTER PIN
9	19131316		WASHER
10	124145X		SUB= 139933
11	123543X		"ROD,FRT BRAKE"
12	19251816		WASHER T
13	12000034		KLIP RING
14	126759X		SUB= 131461
15	73350600		NUT
16	73800600		NUT
17	106888X		SPRING ROD LT
18	19132012		WASHER
19	4921H		SPRING.RETAINER
20	73930600		LOCKNUT
21	73680600		SUB= 73690600
22	106204X		SUB= 132793
23	123672X		"LINK.LIFT.3.5"'"
24	123641X		BRAKE PIVOT ARM
25	121978X		"BRKT,LIFT SHAFT"
26	123394X		"ROD,CLUTCH"
27	72110506		SUB= 72270506
28	73510500		NUT
29	123547X		REAR MOWER LIFT
30	71673		PLUNGER CAP T

BRAKE / REAR MOWER LIFT ASSEMBLY

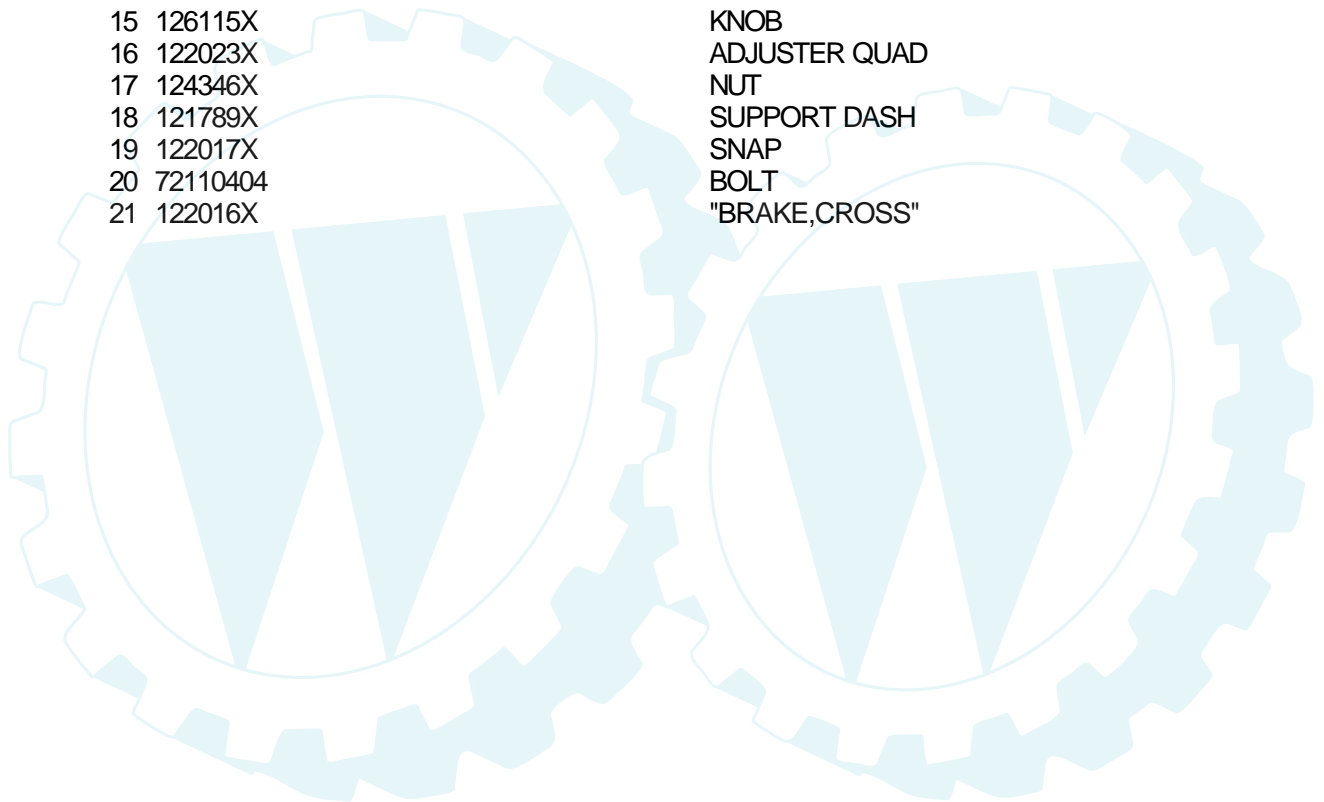


Ref #	Part Number	Qty	Description
1	123436X		"ROD,PARK BRAKE"
2	123437X		"BRKT,PARK BRAKE"
3	122504X		"BRKT,CLU PEDAL LH"
4	8883R		PEDAL COVER T
5	76020312		SUB= 3145
6	19131016		WASHER
7	17490508		SCREW LT
8	76020412		COTTER PIN
9	19131316		WASHER
10	124145X		SUB= 139933
11	123543X		"ROD,FRT BRAKE"
12	19251816		WASHER T
13	12000034		KLIP RING
14	126759X		SUB= 131461
15	73350600		NUT
16	73800600		NUT
17	106888X		SPRING ROD LT
18	19132012		WASHER
19	4921H		SPRING.RETAINER
20	73930600		LOCKNUT
21	73680600		SUB= 73690600
22	106204X		SUB= 132793
23	123672X		"LINK.LIFT.3.5"'"
24	123641X		BRAKE PIVOT ARM
25	121978X		"BRKT,LIFT SHAFT"
26	123394X		"ROD,CLUTCH"
27	72110506		SUB= 72270506
28	73510500		NUT
29	123547X		REAR MOWER LIFT
30	124236X		CAP

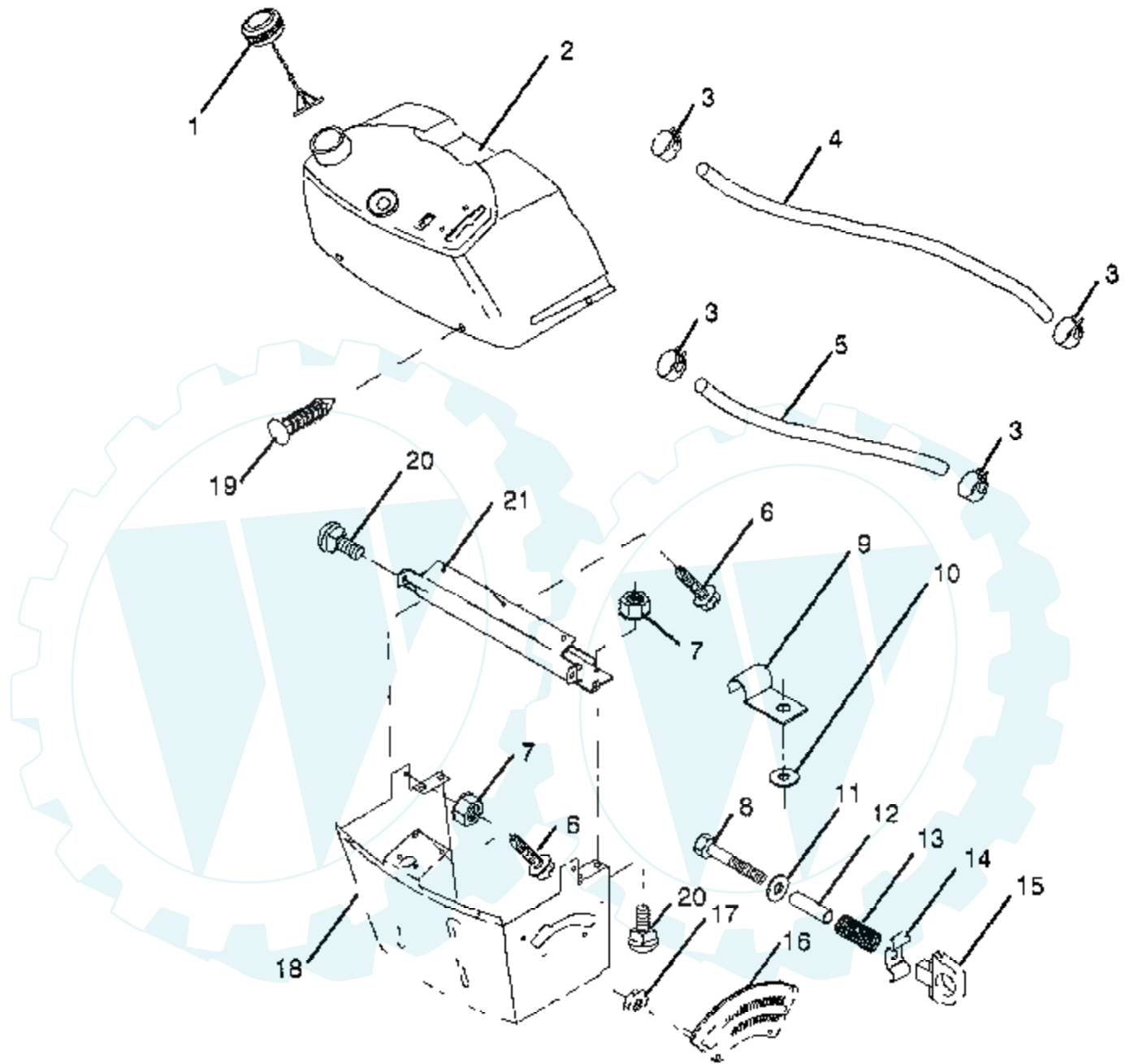
DASH



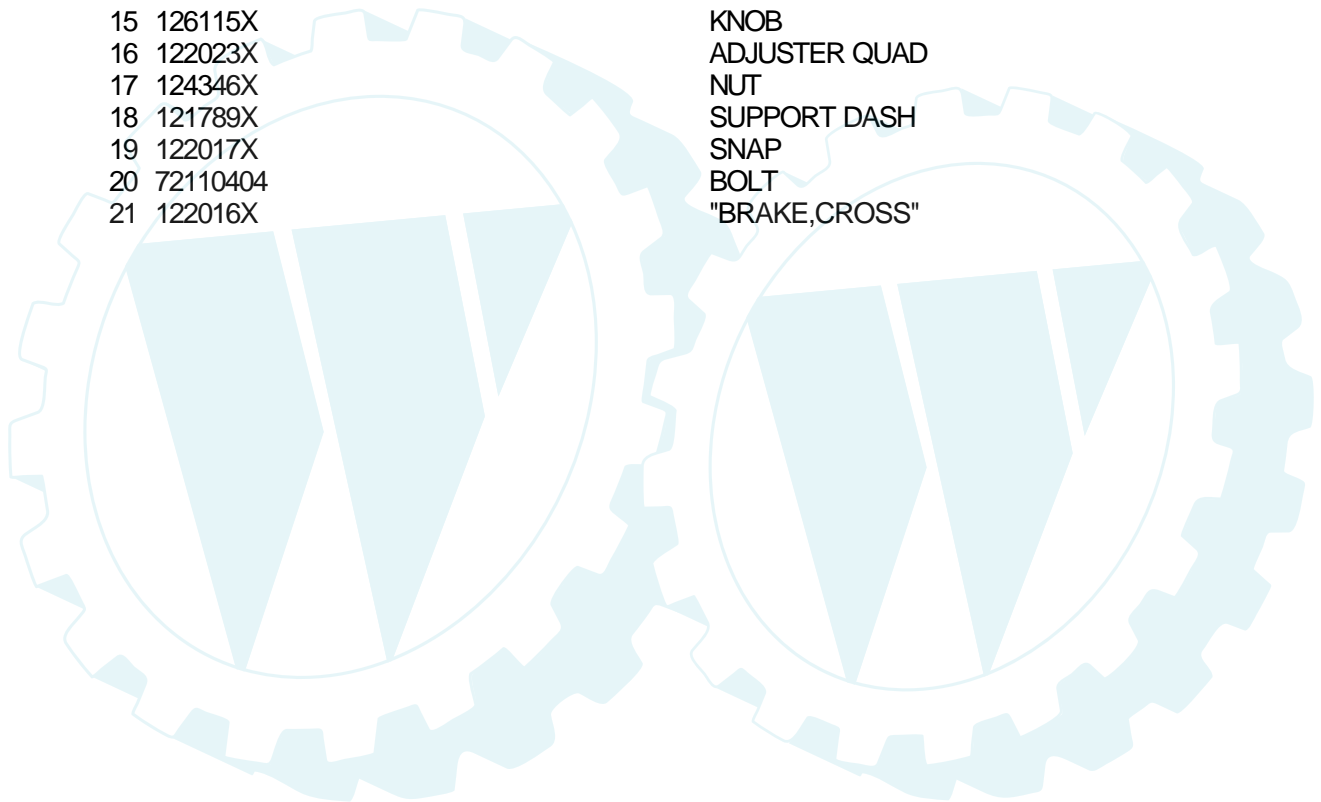
Ref #	Part Number	Qty	Description
1	122015X		SUB= 141523
2	124540X		SUB= 138392
3	123487X		HOSE CLAMP
4	8548R		FUEL LINE T
5	106809X		SUB= 295J
6	17411310		SUB= 17521312
7	73510400		NUT
8	74760432		BOLT
9	2751R		CLIP T
10	19091216		WASHER PM
11	19111116		WASHER
12	123494X		SPACER SPLIT
13	2876H		SPRING T
14	123493X		HEIGHT ADJ
15	126115X		KNOB
16	122023X		ADJUSTER QUAD
17	124346X		NUT
18	121789X		SUPPORT DASH
19	122017X		SNAP
20	72110404		BOLT
21	122016X		"BRAKE,CROSS"



DASH

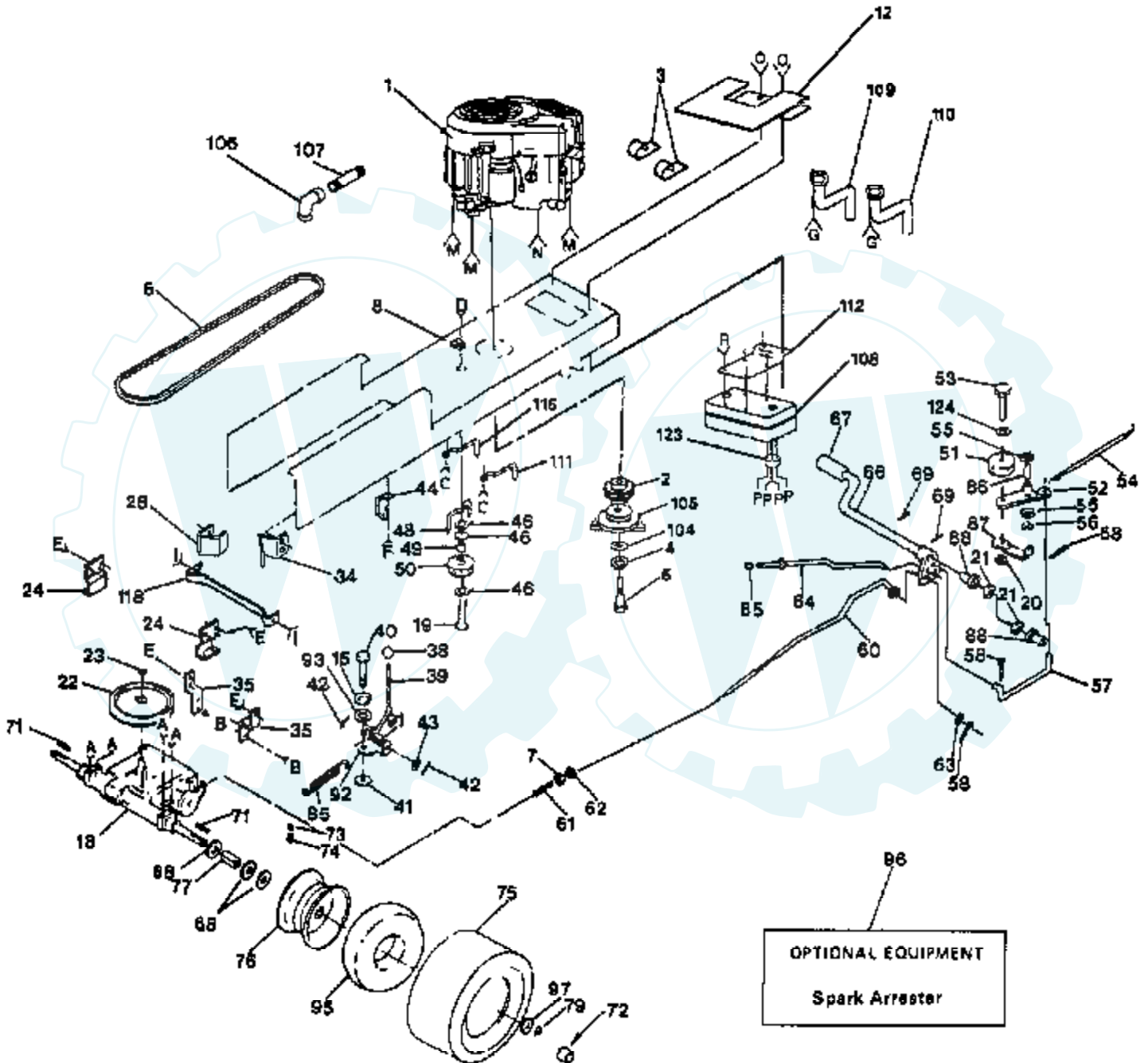


Ref #	Part Number	Qty	Description
1	122015X		SUB= 141523
2	123986X		SUB= 138393
3	123487X		HOSE CLAMP
4	8548R		FUEL LINE T
5	8544R		SUB= 295J
6	17411310		SUB= 17521312
7	73510400		NUT
8	74760432		BOLT
9	2751R		CLIP T
10	19091216		WASHER PM
11	19111116		WASHER
12	123494X		SPACER SPLIT
13	2876H		SPRING T
14	123493X		HEIGHT ADJ
15	126115X		KNOB
16	122023X		ADJUSTER QUAD
17	124346X		NUT
18	121789X		SUPPORT DASH
19	122017X		SNAP
20	72110404		BOLT
21	122016X		"BRAKE,CROSS"



LAWN TRACTOR - MODEL NUMBER X14V38A

DRIVE

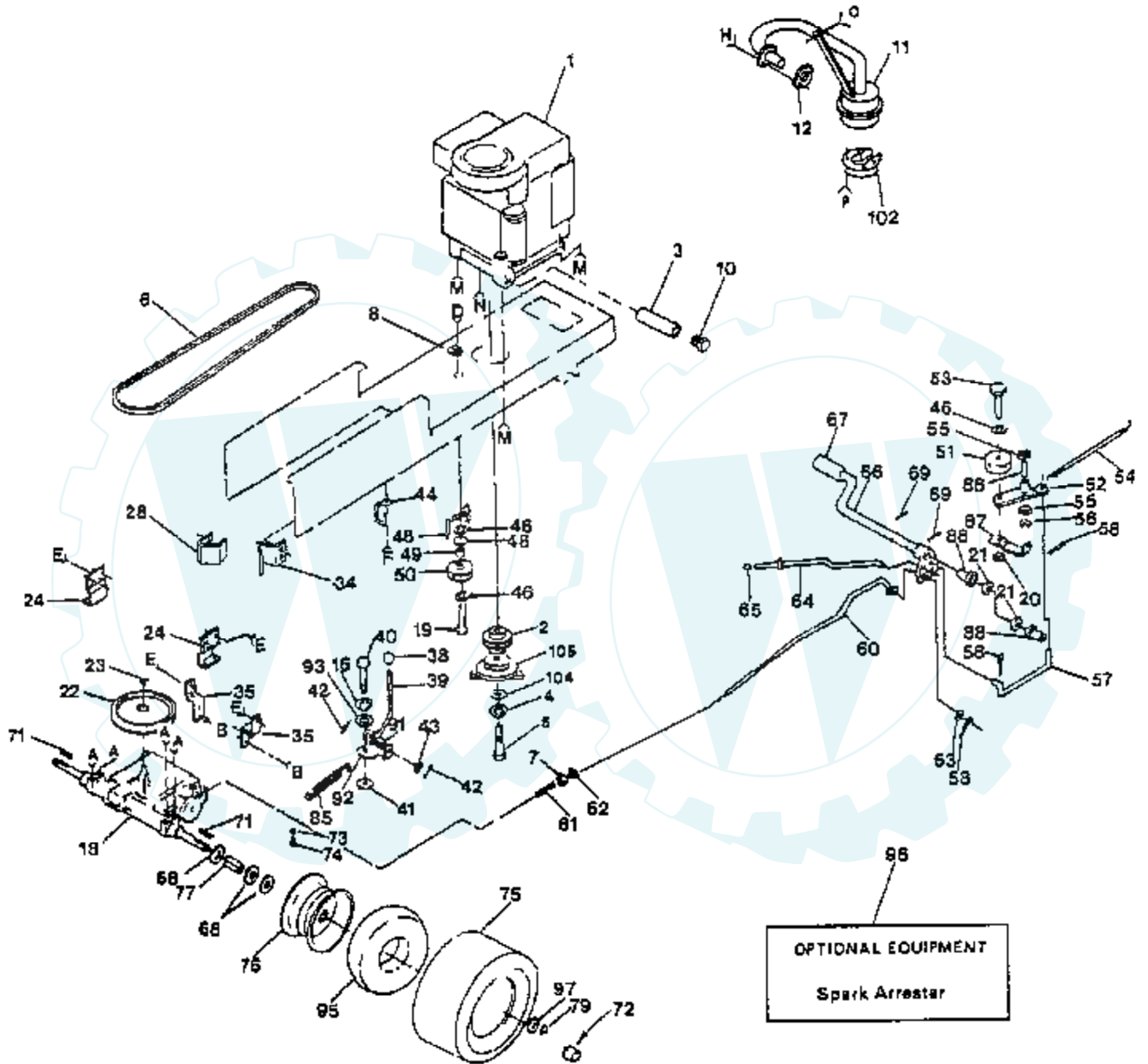


Ref #	Part Number	Qty	Description
1	122436X		PIPE, EXHAUST
2	109841X		SUB= 136905
4	10040700		LOCKWASHER
5	71130720		BOLT
6	125907X		BELT-V.90.0.GD.DR
7	73800600		NUT
8	2751R		CLIP T
12	128199X		SUB= 145552
16	10040400		LOCKWASHER
18	120898X		SUB= 137367
19	74760644		BOLT
20	73680600		SUB= 73690600
21	19211616		WASHER LT
22	123666X		PULLEY TRANS
23	12000028		SUB= 2267J
24	109167X		BRACKET LT
28	127275X		"KEEPER,BELT LH T"
34	127274X		"KEEPER,BELT RH T"
35	121520X		STRAP TORQUE
38	106279X		CONTROL KNOB LT
39	124461X		ROD SHIFTER
40	71040412		SUB= 74550412
41	105701X		WASH-SHFT PLT LT
42	76020416		PIN COTTER 1/8
43	19151216		WASHER
44	104777X		SUB= 140312
46	19131312		WASHER
48	109070X		BELT KEEPER LT
49	4470J		SPACER T
50	123674X		PULLEY.IDLER.FLAT
51	123766X		SUB= 139245
52	123789X		ARM IDLER
53	74760624		SUB= 74930624
54	105709X		"SPRING, RETURN LT"
55	110812X		WASHER LT
56	12000039		KLIP RING
57	105710X		"LINK, CLUTCH T"
58	76020412		COTTER PIN
60	110437X		BRAKE ROD LT
61	106888X		SPRING ROD LT
62	73350600		NUT
63	19131316		WASHER
64	125638X		SUB= 128904
65	71673		PLUNGER CAP T
66	122424X		SUB= 149001
67	8883R		PEDAL COVER T
68	121749X		WASHER
69	1572H		SUB= 2882J
71	123583X		SQUARE KEY
72	104757X		HUB CAP
73	59192		VALVE CAP
74	65139		VALVE STEM LT
75	123969X		TIRE.TS2.18X8.5
76	106108X475		"RIM,REAR"
77	109502X		SPACER LT
79	12000001		E-RING LT
85	110422X		SUB= 146682
86	105706X		"LY, BEARING"

Ref #	Part Number	Qty	Description
87	123205X		RETAIN BELT
88	120183X		NYLON BEARING
91	105700X		SPRING LT
92	106919X		PLATE SHIFT LT
93	19091210		WASHER LT
95	7152J		TUBE.18X9.5-8
96	123110X		SPARK ARREST KIT
97	121748X		WASHER
104	126197X		WASHER
105	108218X		SUB= 142600
106	13200300		ELBOW
107	13280336		PIPE NIPPLE LT
108	122440X		SUB= 149723
109	122434X		TUBE ASSY EXH LH
110	122435X		TUBE ASSY EXH RH
111	105730X		"KEEPER,BLT ENG LT"
112	122439X		BRACKET MUFFLER
115	121218X		KEEPER BELT ENGLH
118	109169X		SUB= 109172X
123	101326L		DEFLECTOR.222573
	123161X		DECAL, ENGINE INSTRUCTION
	125918X		NLA
	125917X		NLA
	109199X		SUB= 146046

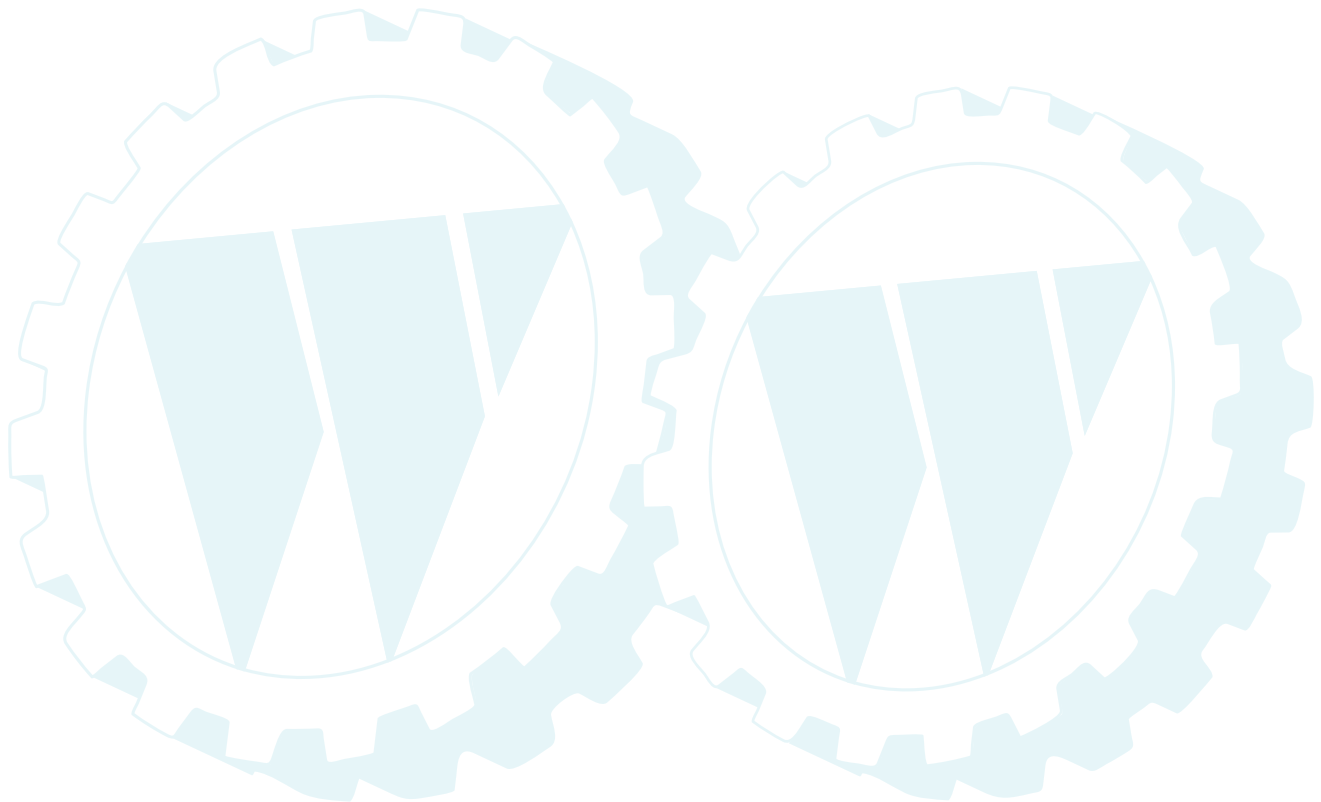
LAWN TRACTOR - MODEL NUMBER X12D38A

DRIVE



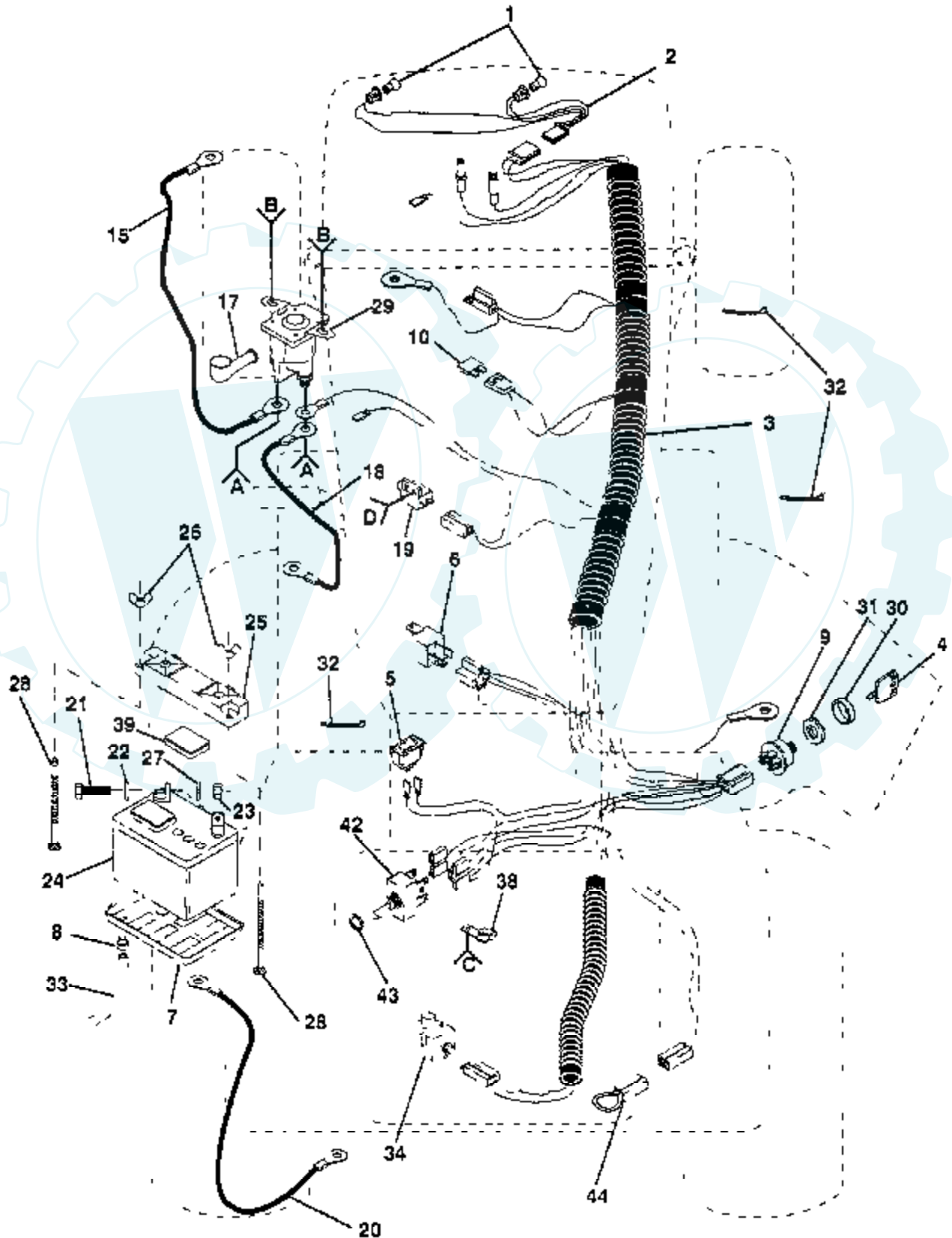
Ref #	Part Number	Qty	Description
1	124149X		ENGINE, 12HP, B&S
2	109841X		SUB= 136905
3	127222X		SUB= 134468
4	10040700		LOCKWASHER
5	71130720		BOLT
6	125907X		BELT-V.90.0.GD.DR
7	73800600		NUT
8	2751R		CLIP T
11	125610X		MUFFLER
12	125593X		SUB= 272293
16	10040400		LOCKWASHER
18	120898X		SUB= 137367
19	74760644		BOLT
20	73680600		SUB= 73690600
21	19211616		WASHER LT
22	123666X		PULLEY TRANS
23	12000028		SUB= 2267J
24	109167X		BRACKET LT
28	127275X		"KEEPER,BELT LH T"
34	127274X		"KEEPER,BELT RH T"
35	121520X		STRAP TORQUE
38	106933X		KNOB T (1/2-HOLE)
39	124461X		ROD SHIFTER
41	105701X		WASH-SHFT PLT LT
42	76020416		PIN COTTER 1/8
43	19151216		WASHER
44	104777X		SUB= 140312
46	19131312		WASHER
48	109070X		BELT KEEPER LT
49	4470J		SPACER T
50	123674X		PULLEY.IDLER.FLAT
51	123766X		SUB= 139245
52	123789X		ARM IDLER
53	74760624		SUB= 74930624
54	105709X		"SPRING, RETURN LT"
55	110812X		WASHER LT
56	12000039		KLIP RING
57	105710X		"LINK, CLUTCH T"
58	76020412		COTTER PIN
60	110437X		BRAKE ROD LT
61	106888X		SPRING ROD LT
62	73350600		NUT
63	19131316		WASHER
64	125638X		SUB= 128904
65	71673		PLUNGER CAP T
66	122424X		SUB= 149001
67	8883R		PEDAL COVER T
68	121749X		WASHER
69	1572H		SUB= 2882J
71	123583X		SQUARE KEY
72	104757X		HUB CAP
73	59192		VALVE CAP
74	65139		VALVE STEM LT
75	123969X		TIRE.TS2.18X8.5
76	106108X475		"RIM,REAR"
77	109502X		SPACER LT
79	12000001		E-RING LT
85	110422X		SUB= 146682

Ref #	Part Number	Qty	Description
86	105706X		"LY, BEARING"
87	123205X		RETAIN BELT
88	120183X		NYLON BEARING
91	105700X		SPRING LT
92	106919X		PLATE SHIFT LT
93	19091210		WASHER LT
95	7152J		TUBE.18X9.5-8
96	123110X		SPARK ARREST KIT
97	121748X		WASHER
102	101326L		DEFLECTOR.222573
104	126197		SUB= 126197X
105	108218		SUB= 142600
	121120X		DECAL
	120601X		DECAL.ENG.271967



LAWN TRACTOR - MODEL NUMBER X14V38A

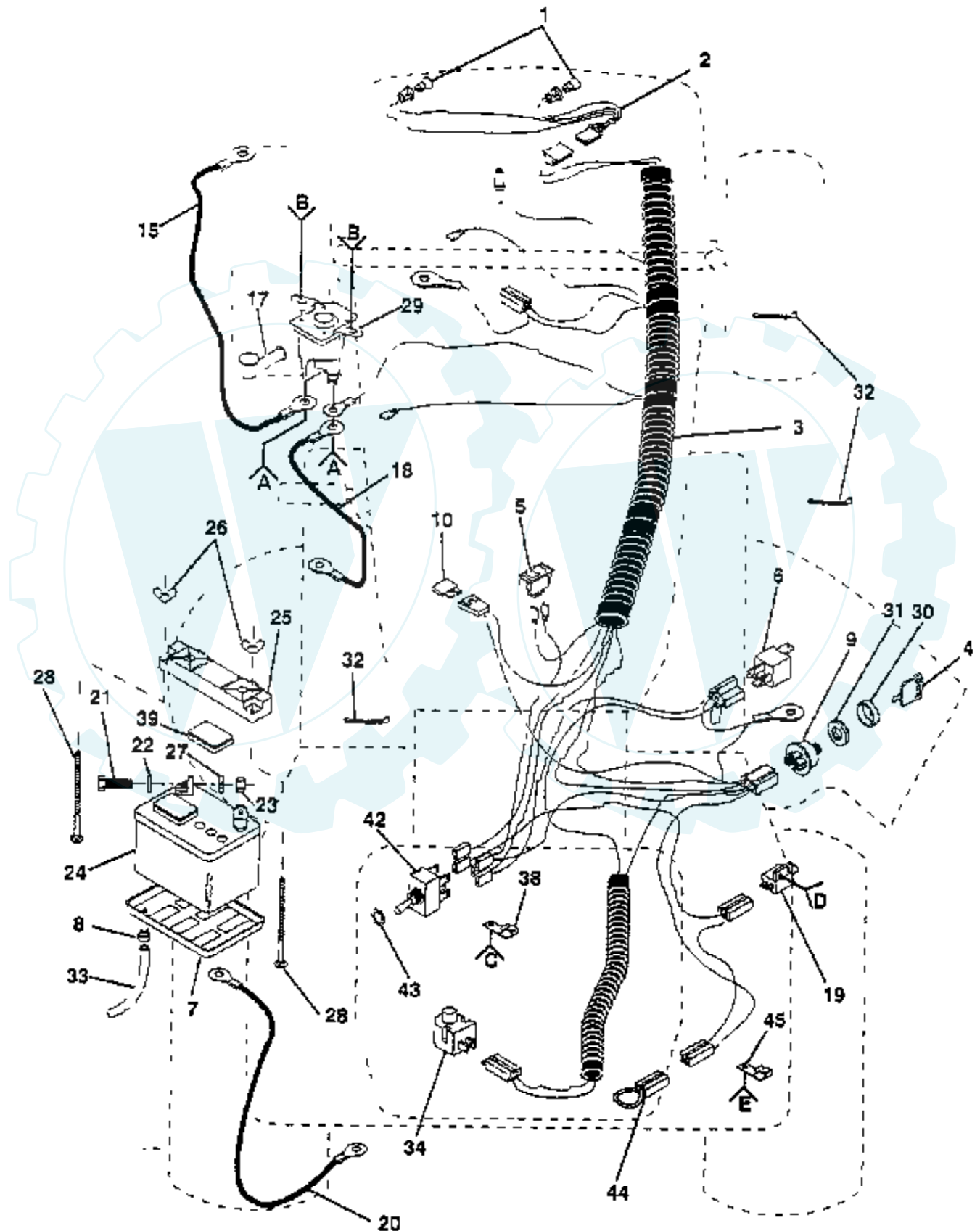
ELECTRICAL



Ref #	Part Number	Qty	Description
1	7662J		SUB= 4152J
2	110859X		HARNESS T
3	126413X		IGNITION HARNESS
4	122147X		KEY
5	110712X		SWITCH LT
6	109748X		RELAY ASSY T
7	7603J		"TRAY T, BATTERY"
8	109596X		HOSE CLAMP T
9	102972X		SUB= 918102972X
10	108824X		FUSE HYT
15	4799J		"CABLE T, BATTERY"
17	719J		SUB= 154336
18	5114J		STARTER CABLE GT
19	104445X		SWITCH-INTER. GT
20	4207J		CABLE T
21	74760412		BOLT LT
22	19091016		WASHER
23	73220400		SUB= 50675
24	121265X		SUB= 123899X
25	102476X		SUB= 150109
26	123198X		SUB= 146525
27	10040400		LOCKWASHER
28	72240460		BOLT
29	109081X		SUB= 146154
30	109787X		SUB= 147626
31	109788X		SUB= 124211X
32	7192J		WIRE TIE
33	105687X		SUB= 109238X
34	121305X		SWITCH SEAT
38	4171R		CLIP T
39	121264X		"CAP,BATTERY "
42	126016X		SUB= 4021J
43	4022J		HEX NUT T
44	102501X		SUB= 141940
	101539X		SHEET INSTR LT
	127987		NLA
	127903		NLA

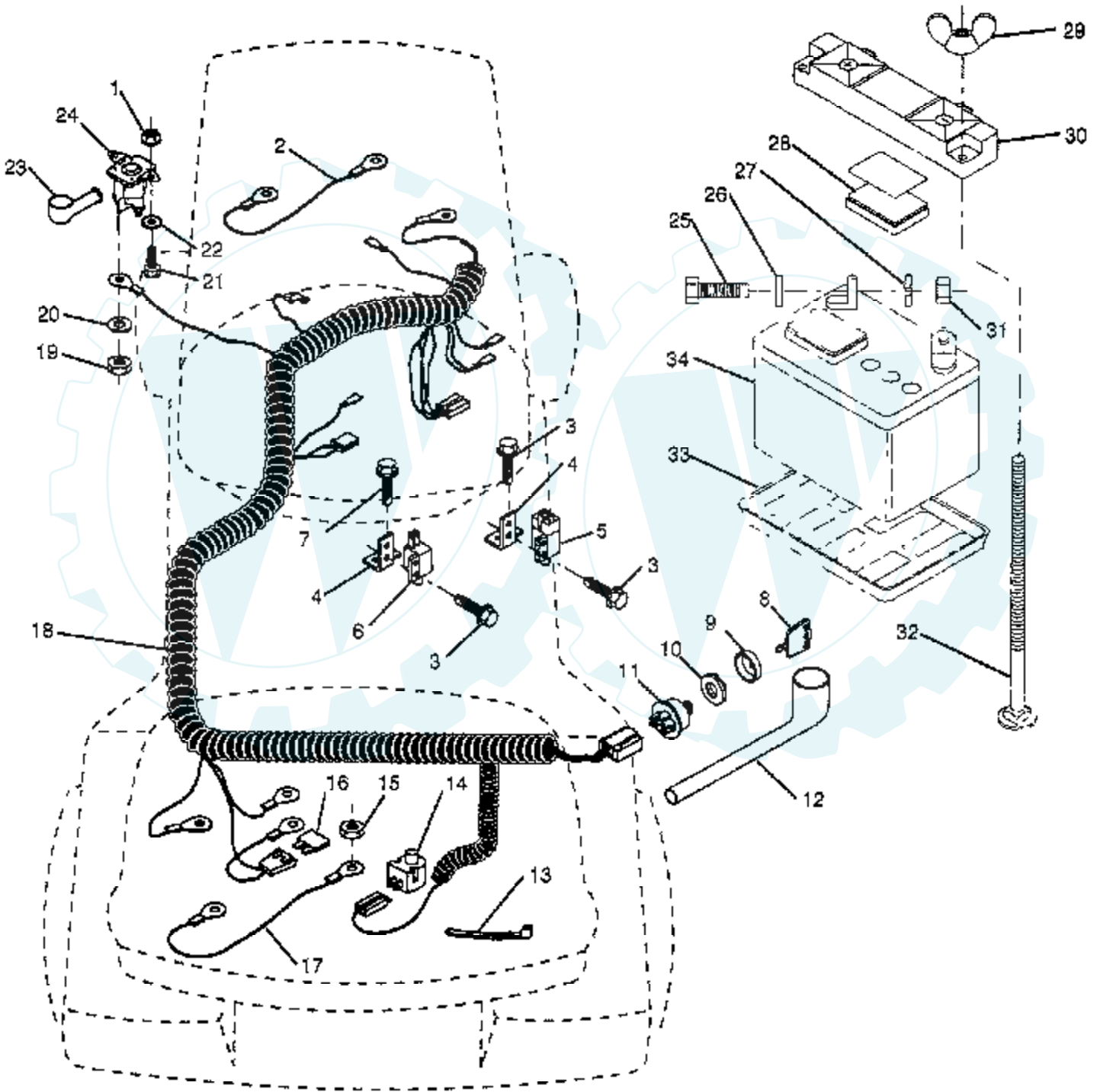
LAWN TRACTOR - MODEL NUMBER X12D38A

ELECTRICAL



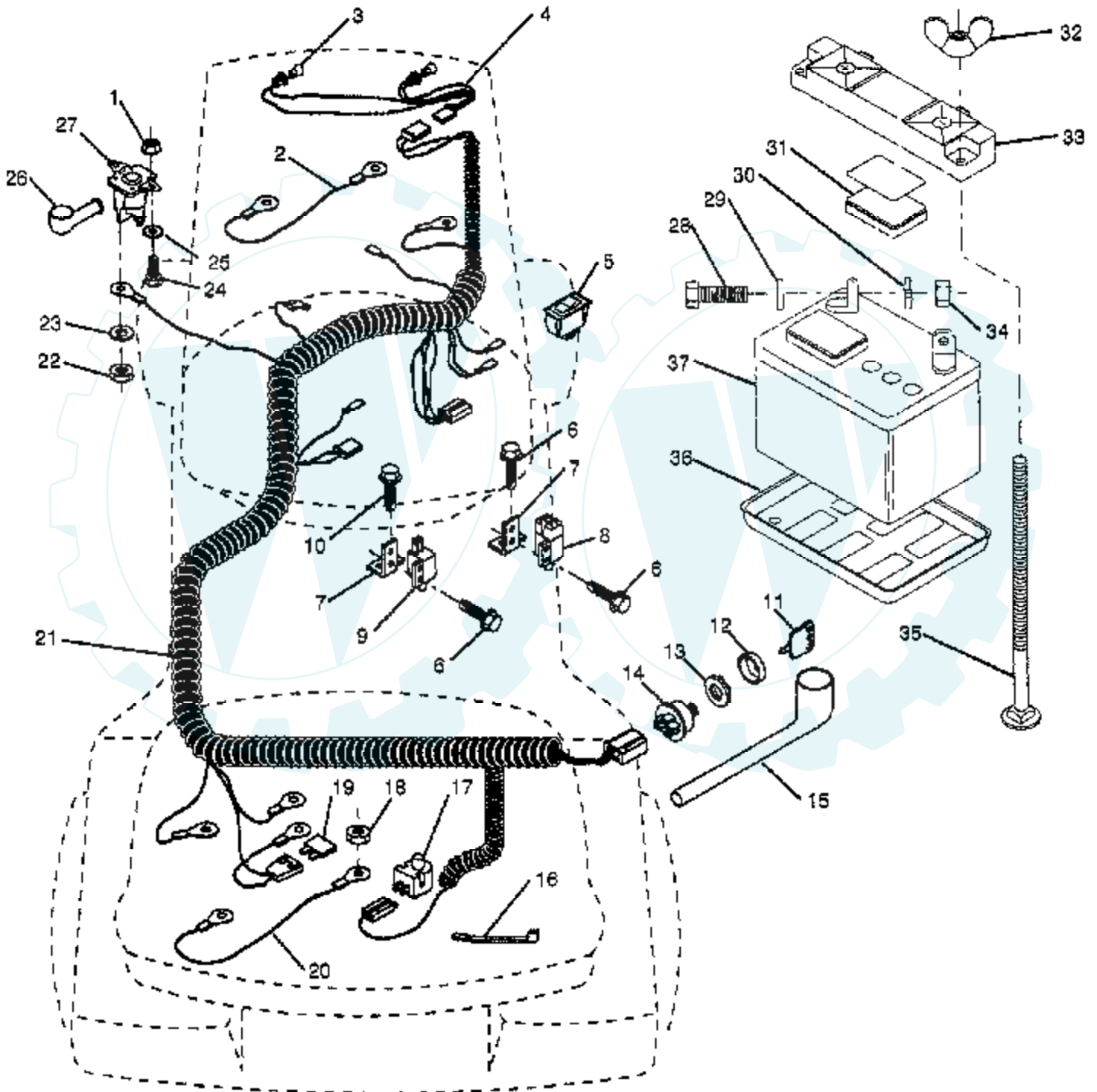
Ref #	Part Number	Qty	Description
1	7662J		SUB= 4152J
2	110859X		HARNESS T
3	128421		"HARNESS,IGNITION"
4	122147X		KEY
5	110712X		SWITCH LT
6	109748X		RELAY ASSY T
7	7603J		"TRAY T, BATTERY"
8	109596X		HOSE CLAMP T
9	4406R		SUB= STD365402
10	108824X		FUSE HYT
15	108423X		CABLE ASM.
17	719J		SUB= 154336
18	5114J		STARTER CABLE GT
19	109553X		SWITCH INTERLOCKT
20	4207J		CABLE T
21	74760412		BOLT LT
22	19091016		WASHER
23	73220400		SUB= 50675
24	121265X		SUB= 123899X
25	102476X		SUB= 150109
26	123198X		SUB= 146525
27	10040400		LOCKWASHER
28	72240460		BOLT
29	109081X		SUB= 146154
30	109787X		SUB= 147626
31	109788X		SUB= 124211X
32	7192J		WIRE TIE
33	105687X		SUB= 109238X
34	121305X		SWITCH SEAT
38	4171R		CLIP T
39	121264X		"CAP,BATTERY "
42	126016		SUB= 4021J
43	124932		SUB= 4022J
44	102501X		SUB= 141940
45	2358		CLIP, WIRE
	101539X		SHEET INSTR LT
	127986		NLA
	127903		NLA

ELECTRICAL



Ref #	Part Number	Qty	Description
1	73510400		NUT
2	105002X		CABLE LTV
3	17021008		SCREW
4	108236X		BRACKET LT
5	109553X		SWITCH INTERLOCKT
6	104445X		SWITCH-INTER. GT
7	17211008		SCREW
8	122147X		KEY
9	123620X		SUB= 141226
10	124211X		NUT IGNITION
11	4406R		SUB= STD365402
12	124083X		COVER IGNITION SW
13	7192J		WIRE TIE
14	121305X		SWITCH SEAT
15	73510500		NUT
16	108824X		FUSE HYT
17	596J		SUB= 2955J
18	123703X		HARNESS IGNITION
19	73350400		NUT
20	10090400		SUB= 10040400
21	74780408		BOLT
22	11050400		LOCKWASHER
23	719J		SUB= 154336
24	109081X		SUB= 146154
25	74760412		BOLT LT
26	19091016		WASHER
27	10040400		LOCKWASHER
28	121300X		CAP BATTERY
29	123198X		SUB= 146525
30	102476X		SUB= 150109
31	73220400		SUB= 50675
32	72240460		BOLT
33	7603J		"TRAY T, BATTERY"
34	121310X		SUB= 123888X
	127661X		SUB= 127661
	MS-9811		OPERATING AND MAINTENANCE MANUAL
	129377		MANUAL, PARTS
	101539X		SHEET INSTR LT

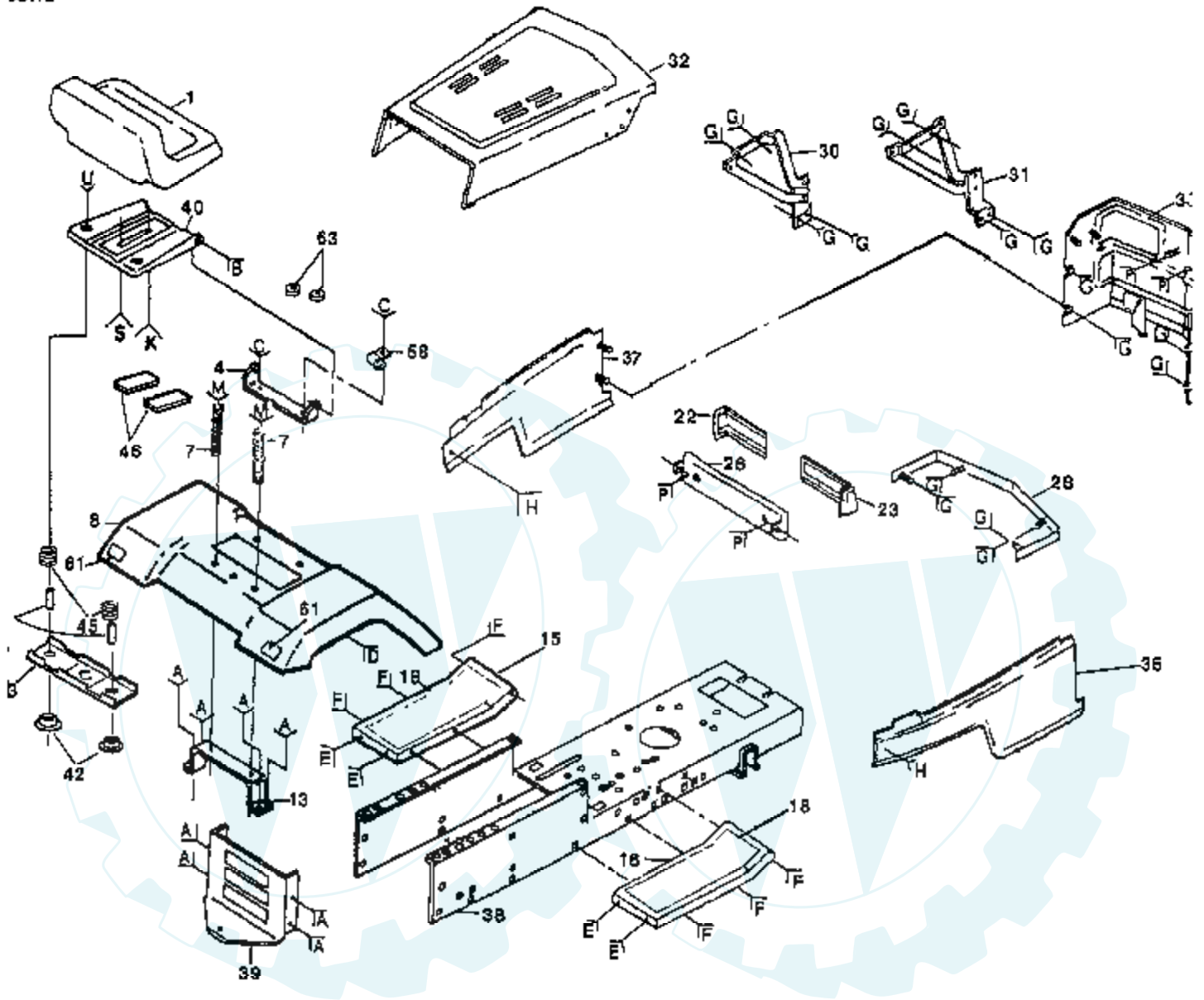
ELECTRICAL



Ref #	Part Number	Qty	Description
1	73510400		NUT
2	4560J		SUB= 2957J
3	7662J		SUB= 4152J
4	127441X		SUB= 136850
5	110712X		SWITCH LT
6	17021008		SCREW
7	108236X		BRACKET LT
8	109553X		SWITCH INTERLOCKT
9	104445X		SWITCH-INTER. GT
10	17211008		SCREW
11	109310X		KEY MOLDED T
12	123620X		SUB= 141226
13	124211X		NUT IGNITION
14	4406R		SUB= STD365402
15	124083X		COVER IGNITION SW
16	7192J		WIRE TIE
17	121305X		SWITCH SEAT
18	73510500		NUT
19	108824X		FUSE HYT
20	596J		SUB= 2955J
21	124190X		HARNESS IGNITION
22	73350400		NUT
23	10090400		SUB= 10040400
24	74780408		BOLT
25	11050400		LOCKWASHER
26	719J		SUB= 154336
27	109081X		SUB= 146154
28	74760412		BOLT LT
29	19091016		WASHER
30	10040400		LOCKWASHER
31	121264X		"CAP,BATTERY "
32	123198X		SUB= 146525
33	102476X		SUB= 150109
34	73220400		SUB= 50675
35	72240460		BOLT
36	7603J		"TRAY T, BATTERY"
37	121265X		SUB= 123899X
	127661X		SUB= 127661
	MS-9250		OPERATING AND MAINTENANCE MANUAL
	128781		NLA
	101539X		SHEET INSTR LT

LAWN TRACTOR - MODEL NUMBER X14V38A

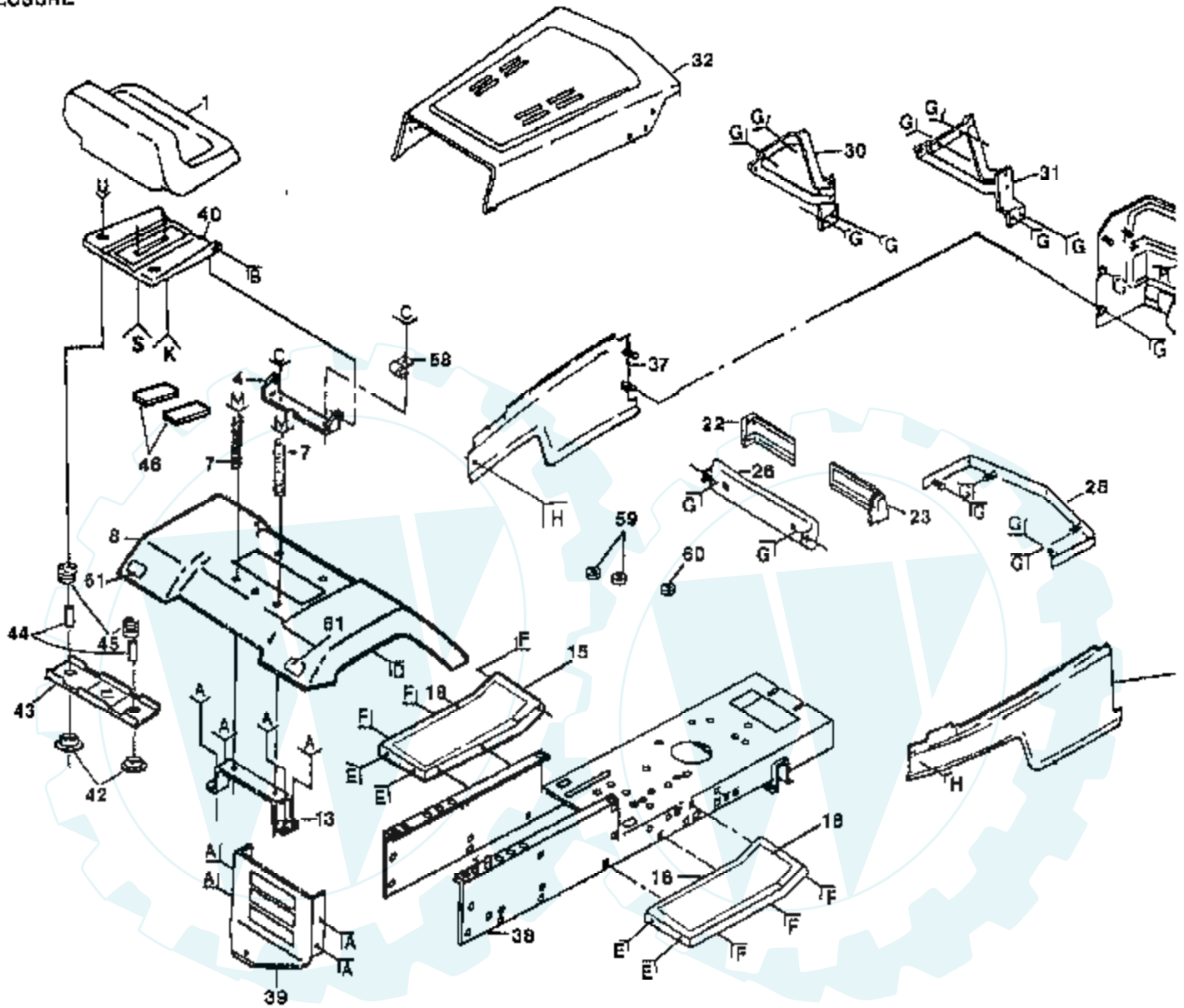
ASURE



Ref #	Part Number	Qty	Description
1	127427		SUB= 140119
4	126656X		SUB= 140551
7	124181X		SPRING COMPRESSIO
8	109872X		SUB= 109872X417
13	109873X		SUB= 136619
15	105465X475		SUB= 145244X475
16	105464X475		SUB= 145243X475
18	108256X		PAD FOOTREST T
22	108361X		LENS LH LT
23	108360X		LENS RH LT
26	110897X		SUB= 132257
28	109745X7475		STRAP, ASM., GRILL
30	105797X		"HINGE,HOOD,LH T"
31	105792X		"HINGE,HOOD,RH T"
32	128561X475		HOOD ASSY
33	128313X475		GRILL ASSY
36	106927X475		"SIDE PANEL,RH"
37	106929X475		"SIDE PANEL,LH"
38	127225X		CHASSIS ASSY
39	127866		DRAWBAR LT/YT
40	124294X		SUB= 155925
42	121248X		BUSHING
45	121250X		SPRING
46	121251X		STRIP FORM
58	2751		CLIP
61	106202X		REFLECTOR-TAIL YT
63	124238X		CAP SPRING
	127999		DECAL, FENDER
	109823X		SUB= 120822X
	101892X		DECAL T
	128007		"DECAL,GRILL "
	128005		NLA
	128026		DECAL, CHASSIS, HP
	128011		NLA
	128010		HOOD DECAL RH

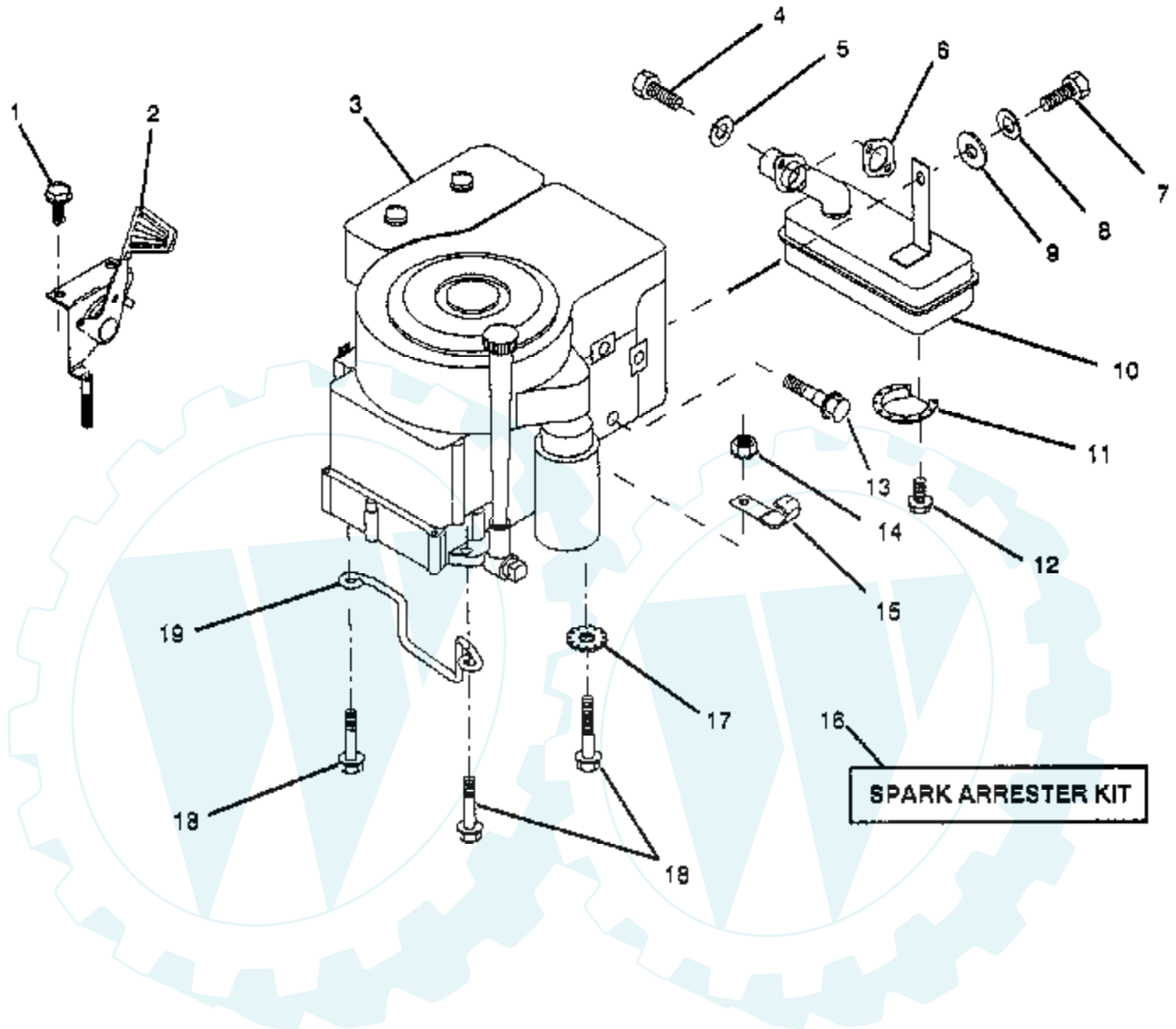
LAWN TRACTOR - MODEL NUMBER X12D38A

CLOSURE

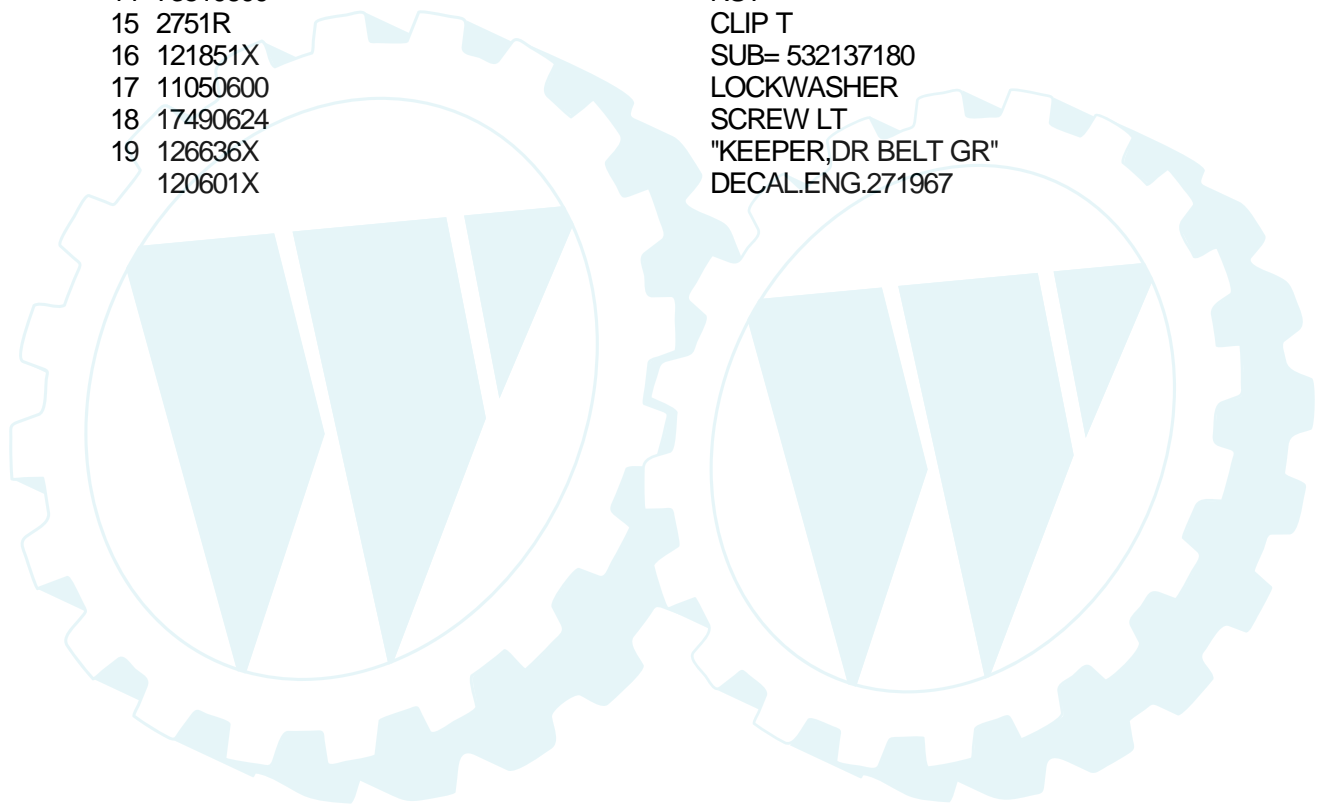


Ref #	Part Number	Qty	Description
1	127427		SUB= 140119
4	126656X		SUB= 140551
7	124181X		SPRING COMPRESSION
8	109872X		SUB= 109872X417
13	109873X		SUB= 136619
15	105465X475		SUB= 145244X475
16	105464X475		SUB= 145243X475
18	128866		"PAD,FOOTREST"
22	124400X		SUB= 133954
23	108360X		LENS RH LT
26	110897X		SUB= 132257
28	109745X475		"STRAP,GRILL"
30	105797X		"HINGE,HOOD,LH T"
31	105792X		"HINGE,HOOD,RH T"
32	105682X475		HOOD
37	106929X475		"SIDE PANEL,LH"
38	127168X		CHASSIS ASS'Y
39	121306X		SUB= 127866
40	124294X		SUB= 155925
43	121246X		BRKT SWITCH
44	121249X		SPACER SPLIT
45	121250X		SPRING
46	121251X		STRIP FORM
58	2751		CLIP
59	110436X		SUB= 9151R
60	124934X		SUB= 9151R
61	106202X		REFLECTOR-TAIL YT
	127999		DECAL, FENDER
	109823X		SUB= 120822X
	4900J		DECAL T
	128007		"DECAL,GRILL "

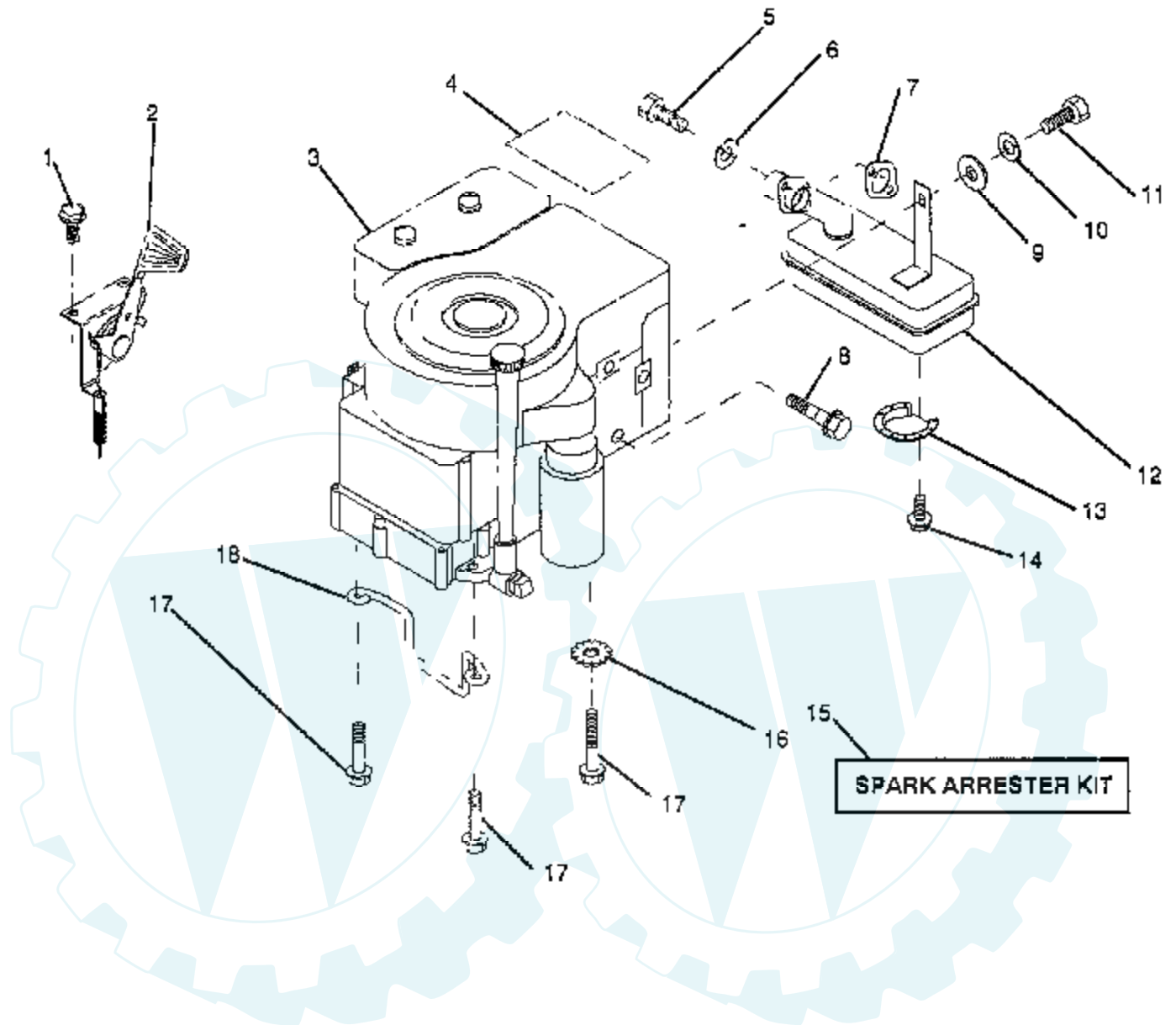
ENGINE / THROTTLE



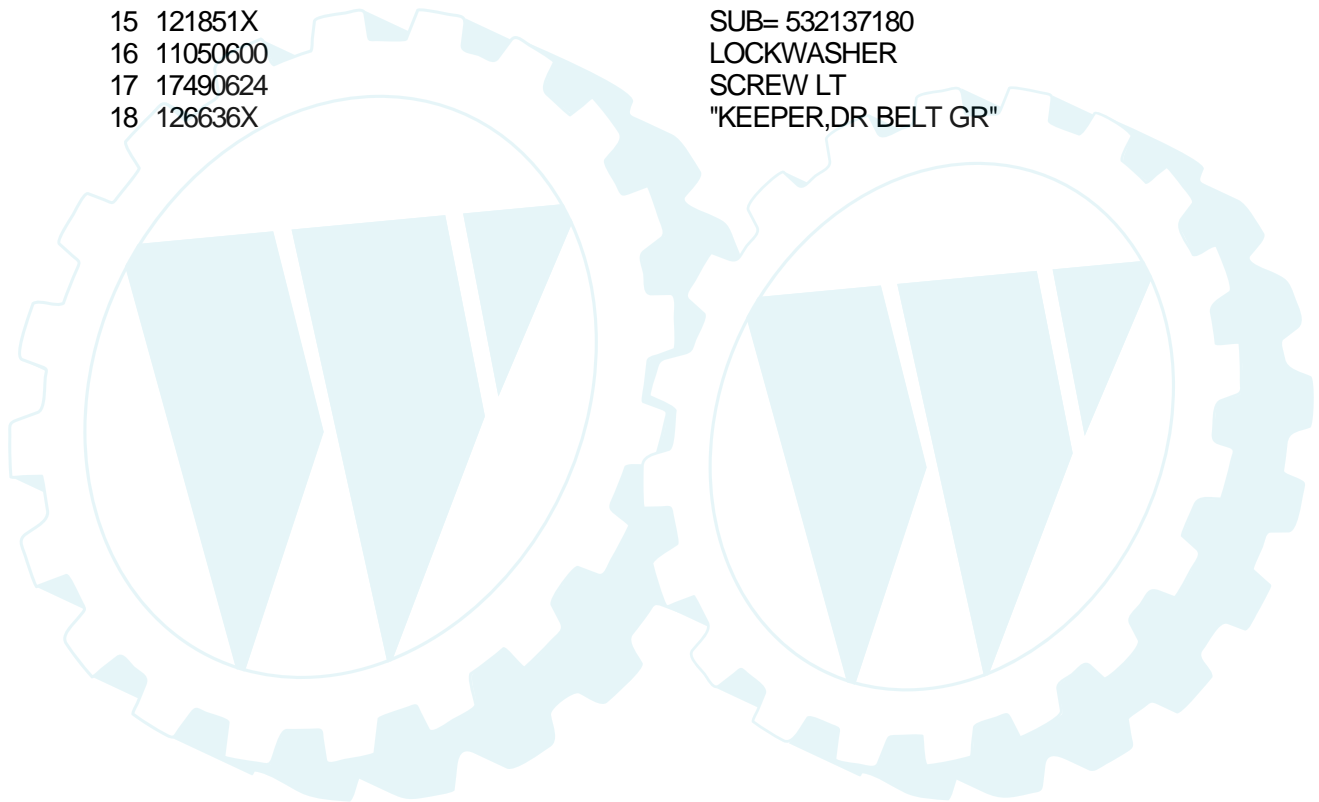
Ref #	Part Number	Qty	Description
1	17720408		SCREW
2	122014X		SUB= 132752
3	124136X		ENGINE BRIGGS AND STRATTON
4	71070512		SCREW
5	10040500		LOCKWASHER
6	125593X		SUB= 272293
7	74780412		SUB= 74780414
8	10040400		LOCKWASHER
9	19101216		WASHER
10	124097X		MUFFLER
11	124097X		MUFFLER
12	17030808		SUB= 17030814
13	121094X		BOLT T
14	73510600		NUT
15	2751R		CLIP T
16	121851X		SUB= 532137180
17	11050600		LOCKWASHER
18	17490624		SCREW LT
19	126636X		"KEEPER,DR BELT GR"
	120601X		DECAL.ENG.271967



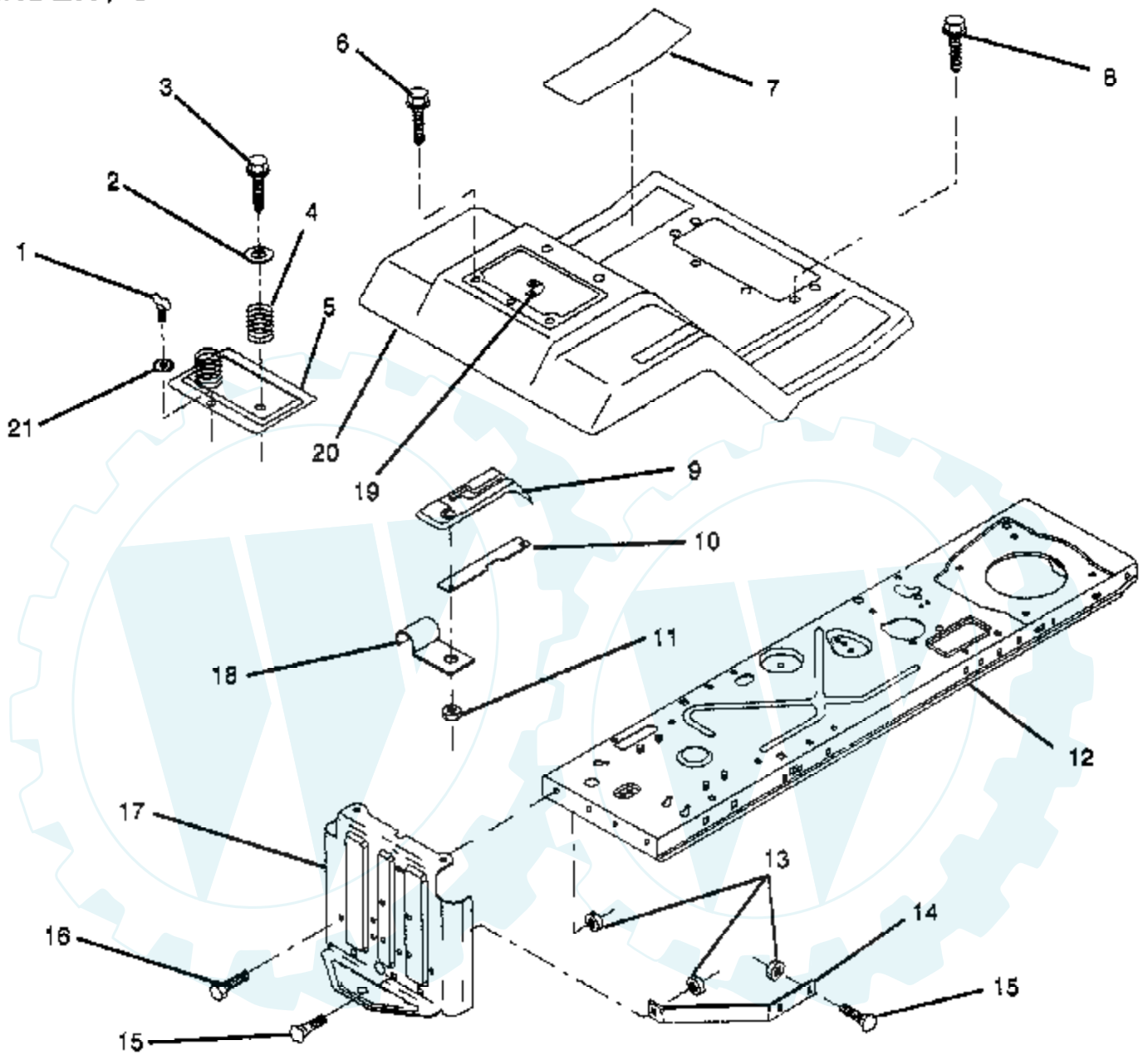
ENGINE / THROTTLE



Ref #	Part Number	Qty	Description
1	17720408		SCREW
2	122014X		SUB= 132752
3	121797X		ENGINE
4	121120X		DECAL
5	71070512		SCREW
6	10040500		LOCKWASHER
7	125593X		SUB= 272293
8	121094X		BOLT T
9	19101216		WASHER
10	10040400		LOCKWASHER
11	74780412		SUB= 74780414
12	124097X		MUFFLER
13	101326L		DEFLECTOR.222573
14	17030808		SUB= 17030814
15	121851X		SUB= 532137180
16	11050600		LOCKWASHER
17	17490624		SCREW LT
18	126636X		"KEEPER,DR BELT GR"

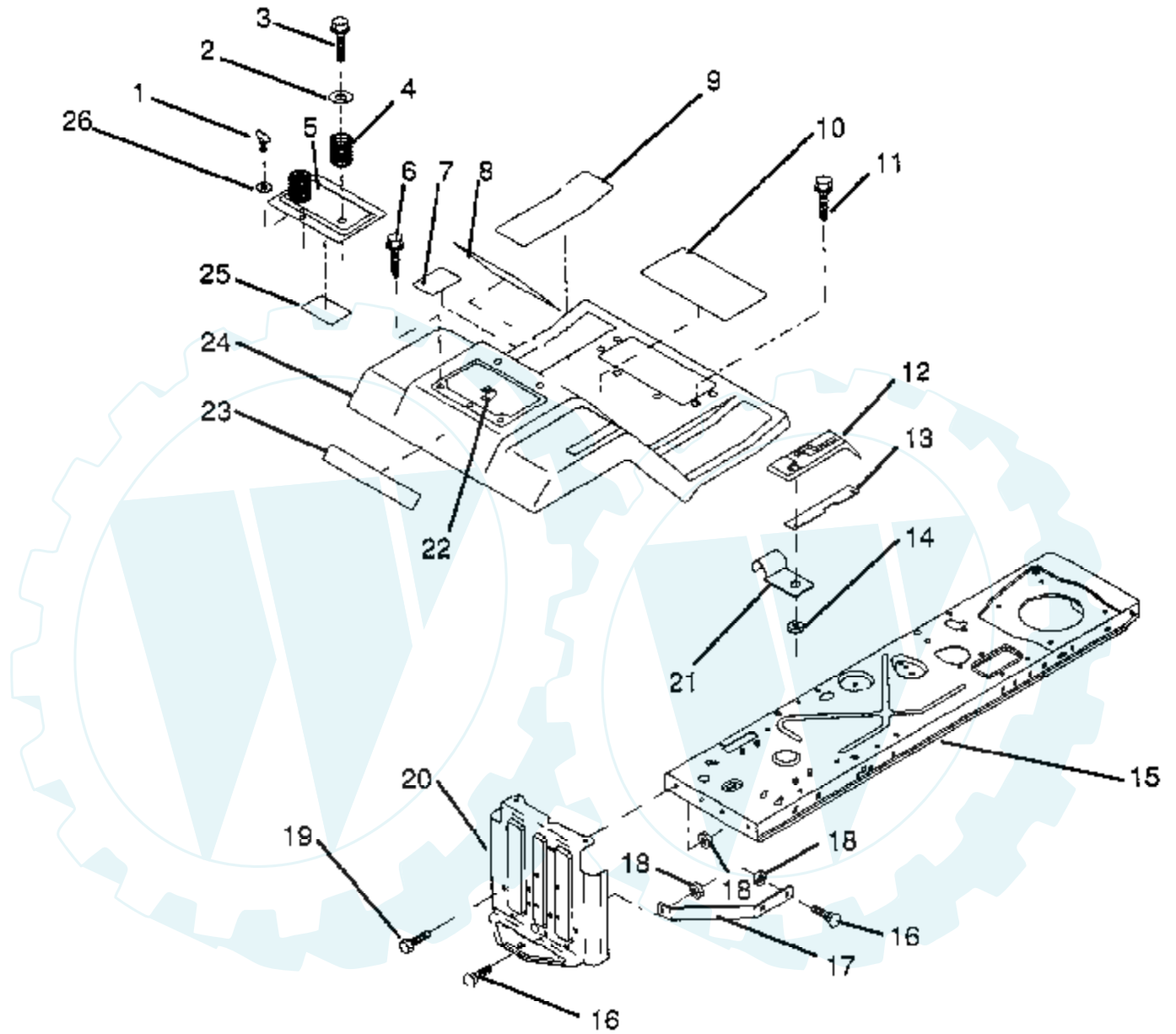


FENDER / CHASSIS



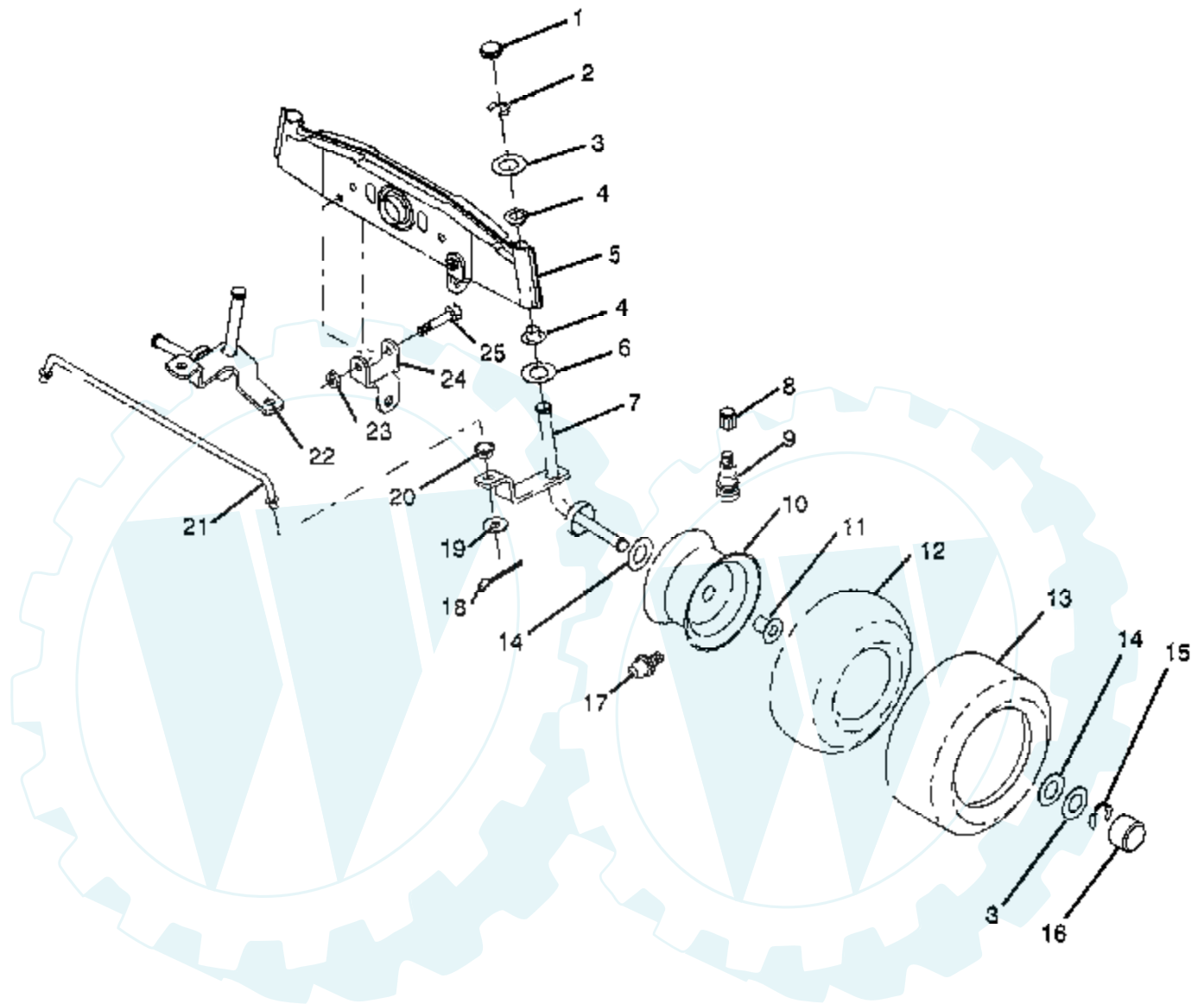
Ref #	Part Number	Qty	Description
1	123650X		STUD.1/4.TURN
2	19132012		WASHER
3	17490612		SCREW
4	124181X		SPRING COMPRESSIO
5	122008X475		DOOR, FENDER
6	17490508		SCREW LT
7	126752X		SUB= 126700X
8	17490512		SCREW
9	126994X		CONSOLE SHFT 5SP
10	124307X		"SHIFT LOCK, BAR"
11	124346X		NUT
12	123645X		FRAME ASS'Y
13	73680500		SUB= 73690500
14	123379X		"BRACE,DRAWBAR "
15	72140506		BOLT
16	74760512		BOLT
17	121904X		DRAWBAR
18	126470X		"CLIP,INSULATOR"
19	105839X		RECEPTACLE LT
20	124332X475		"FENDER,FOOTREST"
21	105838X		RETAINER LT
	128001		DECAL, FENDER RH
	128004		NLA
	127999		DECAL, FENDER
	123637X		SUB= 138269
	121549X		DECAL
	123408X		DECAL DRIVE
	128026		DECAL, CHASSIS, HP

FENDER / CHASSIS

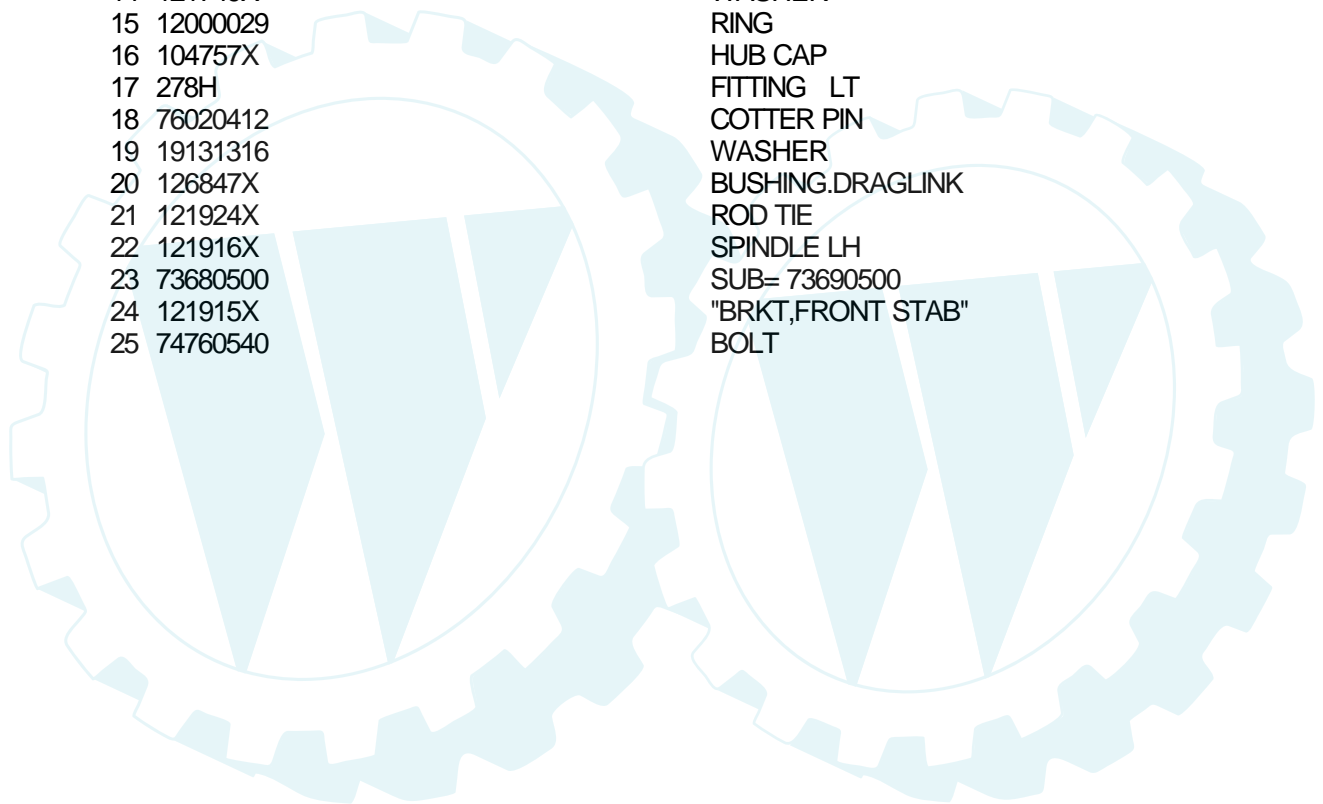


Ref #	Part Number	Qty	Description
1	123650X		STUD.1/4.TURN
2	19132012		WASHER
3	17490612		SCREW
4	124181X		SPRING COMPRESSION
5	122008X388		SUB= 122008X425
6	17490508		SCREW LT
7	123408X		DECAL DRIVE
8	120822X		DECAL
9	126752X		SUB= 126700X
10	120822X		DECAL
11	17490512		SCREW
12	126993X		CONSOLE SHFT 4SP
13	124602X		SUB= 139783
14	124346X		NUT
15	123645X		FRAME ASS'Y
16	72140506		BOLT
17	123379X		"BRACE,DRAWBAR "
18	73680500		SUB= 73690500
19	74760512		BOLT
20	121904X		DRAWBAR
21	126470X		"CLIP,INSULATOR"
22	105839X		RECEPTACLE LT
23	127999		DECAL, FENDER
24	124332X475		"FENDER,FOOTREST"
25	121549X		DECAL
26	105838X		RETAINER LT
	128000		DECAL, FENDER R.H.
	128003		DECAL, FENDER L.H.
	123637X		SUB= 138269

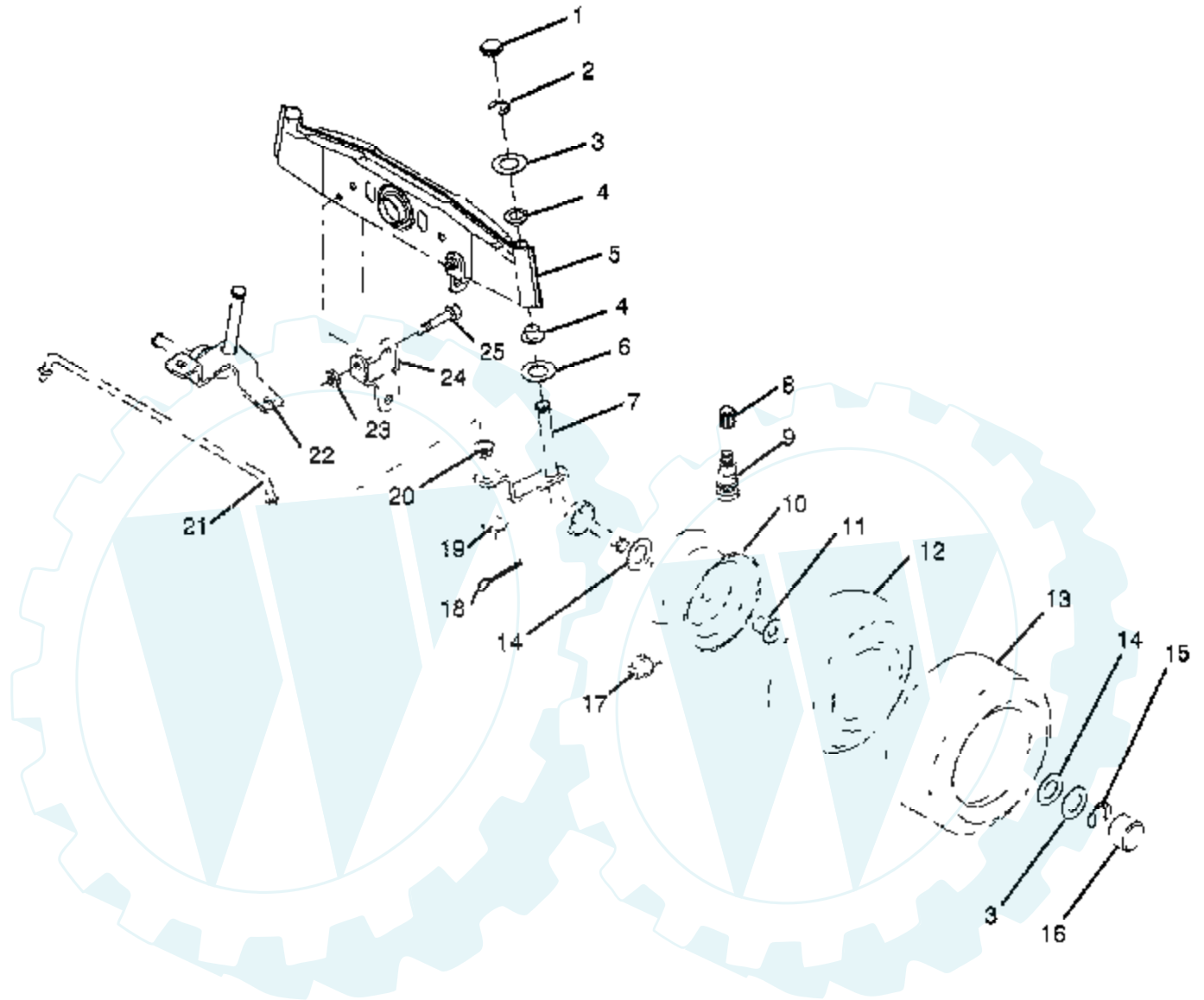
FRONT AXLE



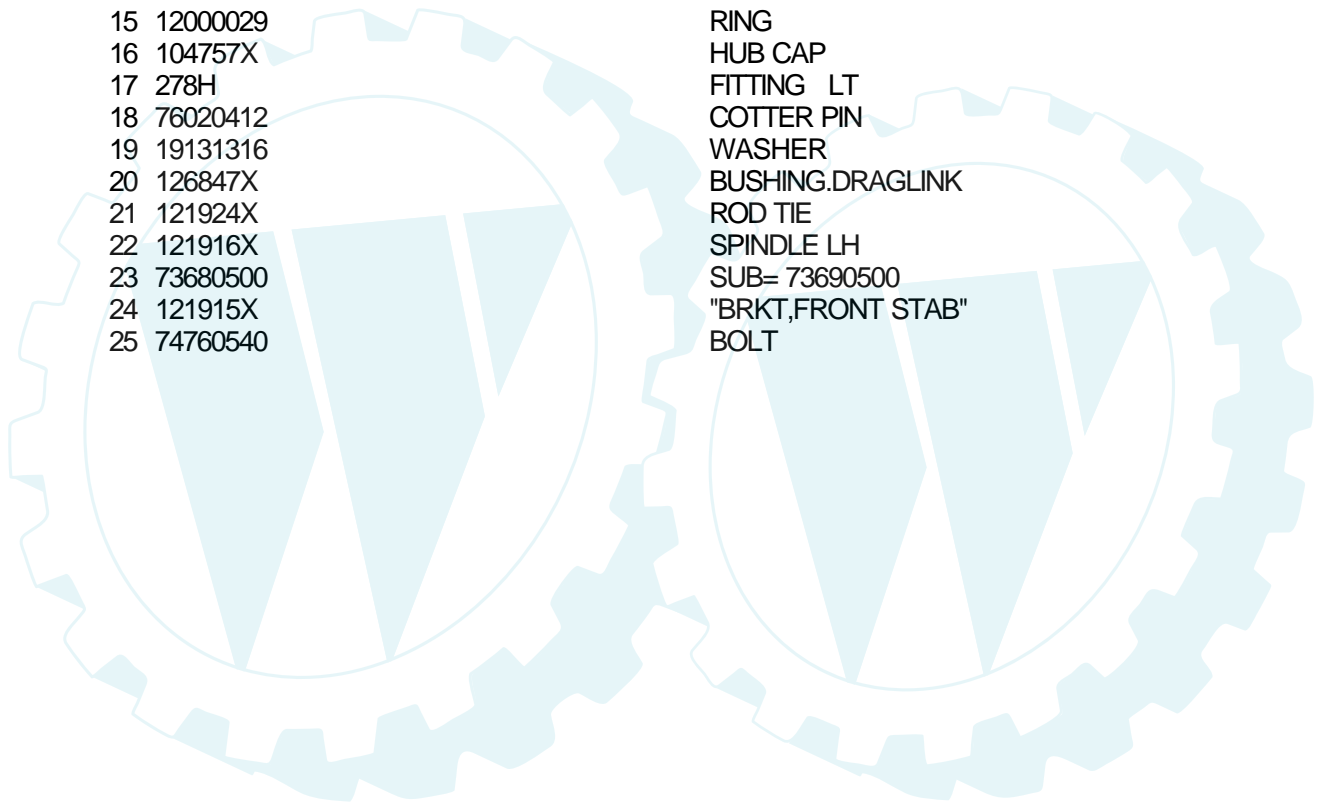
Ref #	Part Number	Qty	Description
1	121232X		CAP
2	12000029		RING
3	127148X		"SWASHPLATE,VARIAB"
4	121922X		NYLINER
5	121914X		AXLE FRONT
6	6266H		WASHER .T
7	121919X		SPINDLE RH
8	59192		VALVE CAP
9	65139		VALVE STEM LT
10	122394X475		SUB= 137237X475
11	9040H		"FLANGE, BEARING"
12	59904		TUBE.5.3/4.5/6
13	123410X		TIRE
14	121749X		WASHER
15	12000029		RING
16	104757X		HUB CAP
17	278H		FITTING LT
18	76020412		COTTER PIN
19	19131316		WASHER
20	126847X		BUSHING.DRAGLINK
21	121924X		ROD TIE
22	121916X		SPINDLE LH
23	73680500		SUB= 73690500
24	121915X		"BRKT,FRONT STAB"
25	74760540		BOLT



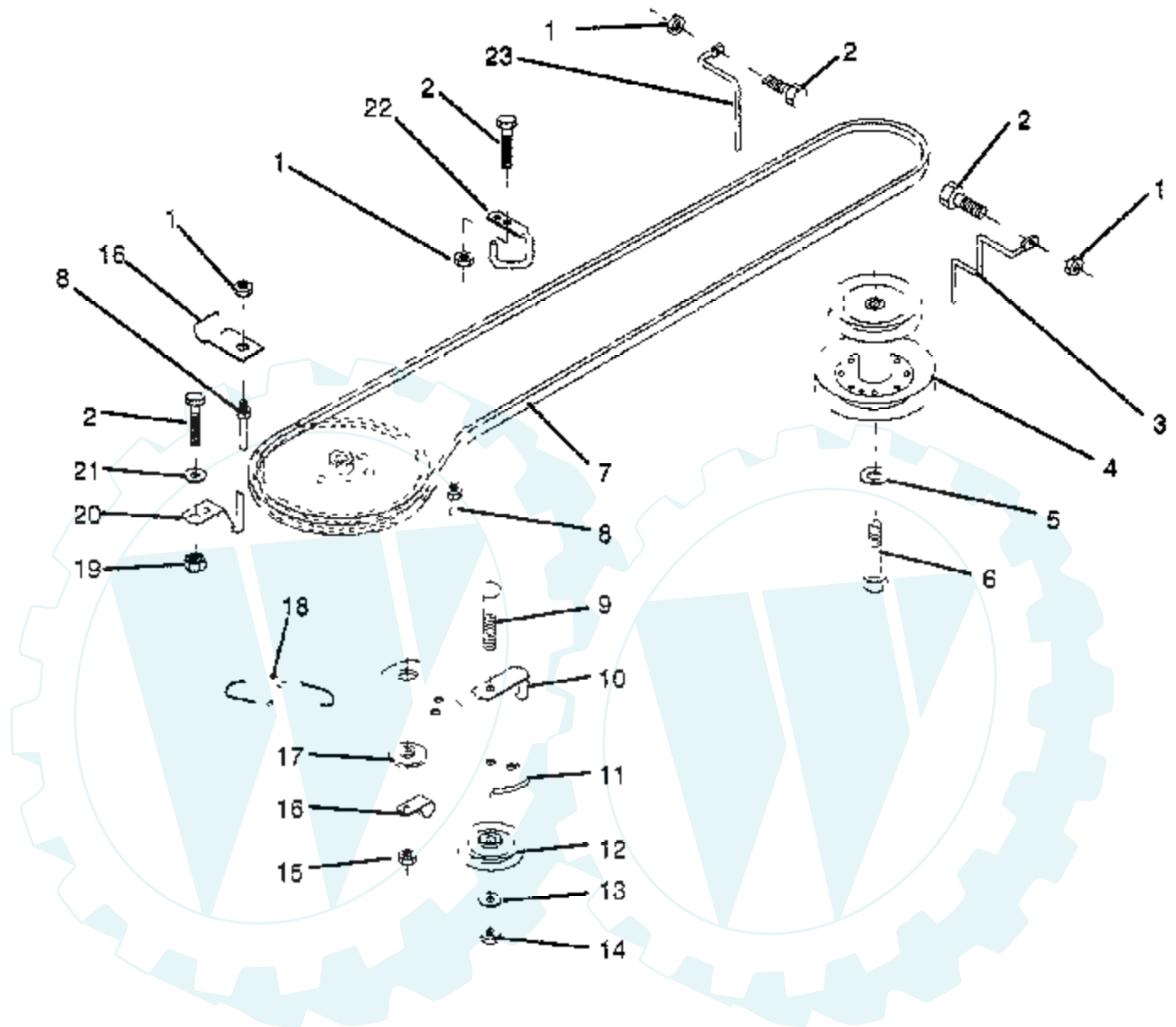
FRONT AXLE



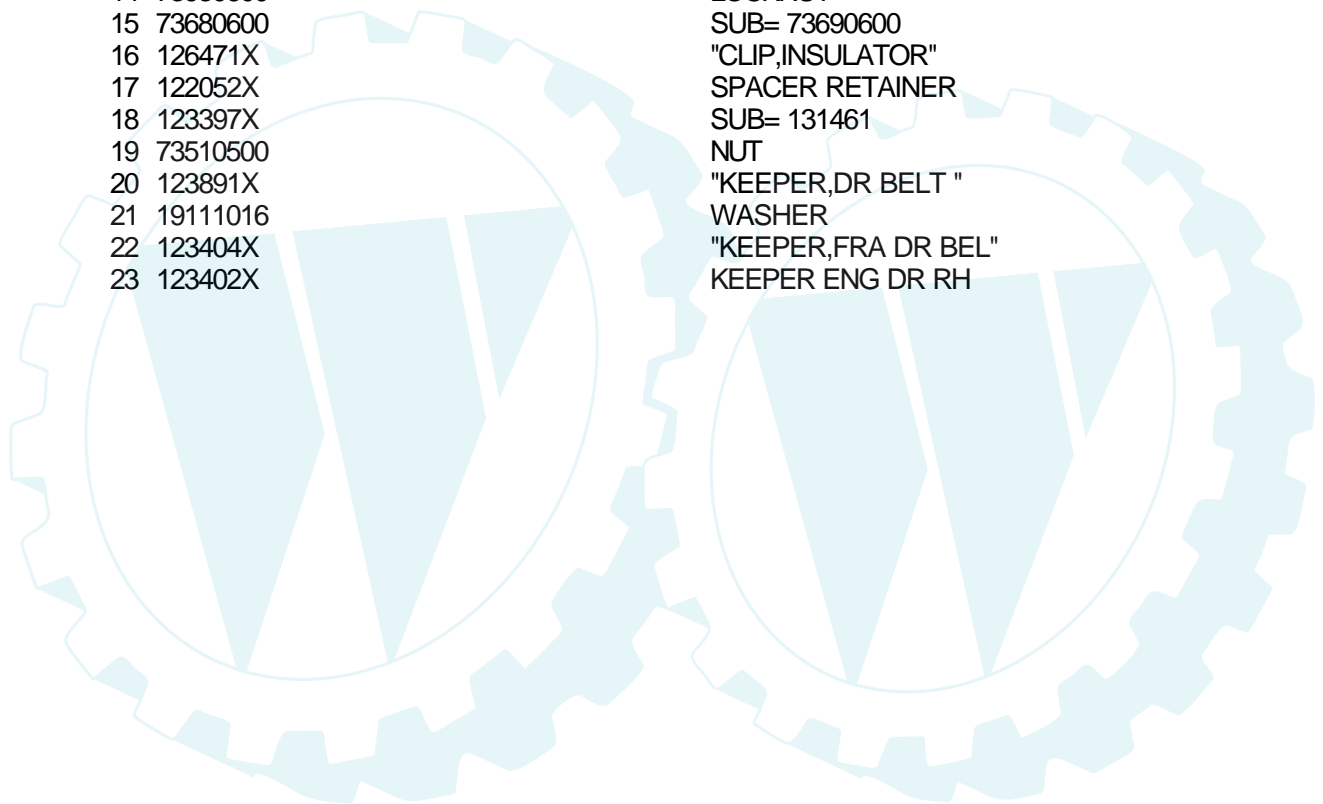
Ref #	Part Number	Qty	Description
1	121232X		CAP
2	12000029		RING
3	121748X		WASHER
4	121922X		NYLINER
5	121914X		AXLE FRONT
6	6266H		WASHER .T
7	121919X		SPINDLE RH
8	59192		VALVE CAP
9	65139		VALVE STEM LT
10	122394X475		SUB= 137237X475
11	9040H		"FLANGE, BEARING"
12	59904		TUBE.5.3/4.5/6
13	124142X		SUB= 123410X
14	121749X		WASHER
15	12000029		RING
16	104757X		HUB CAP
17	278H		FITTING LT
18	76020412		COTTER PIN
19	19131316		WASHER
20	126847X		BUSHING.DRAGLINK
21	121924X		ROD TIE
22	121916X		SPINDLE LH
23	73680500		SUB= 73690500
24	121915X		"BRKT,FRONT STAB"
25	74760540		BOLT



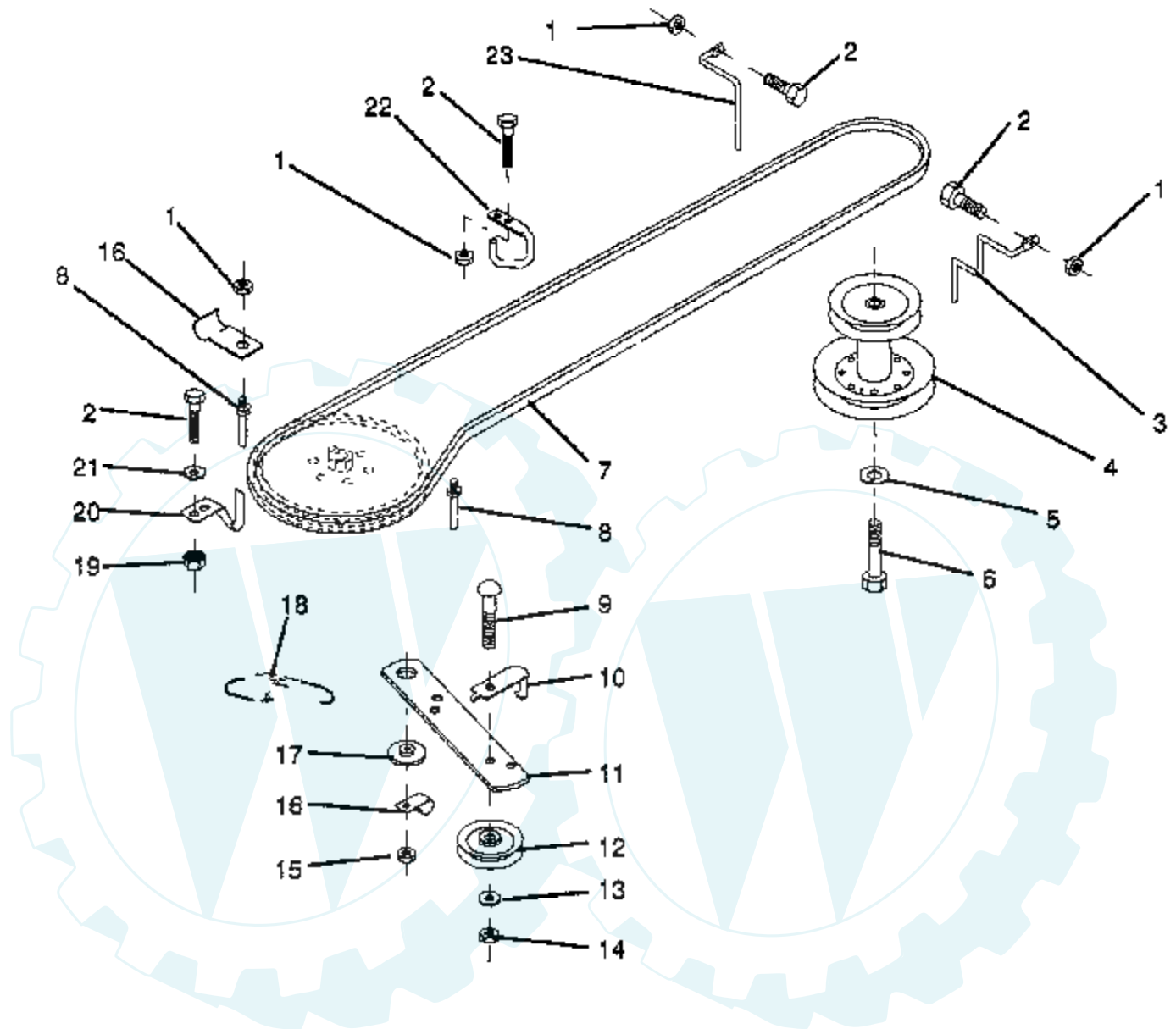
GROUND DRIVE



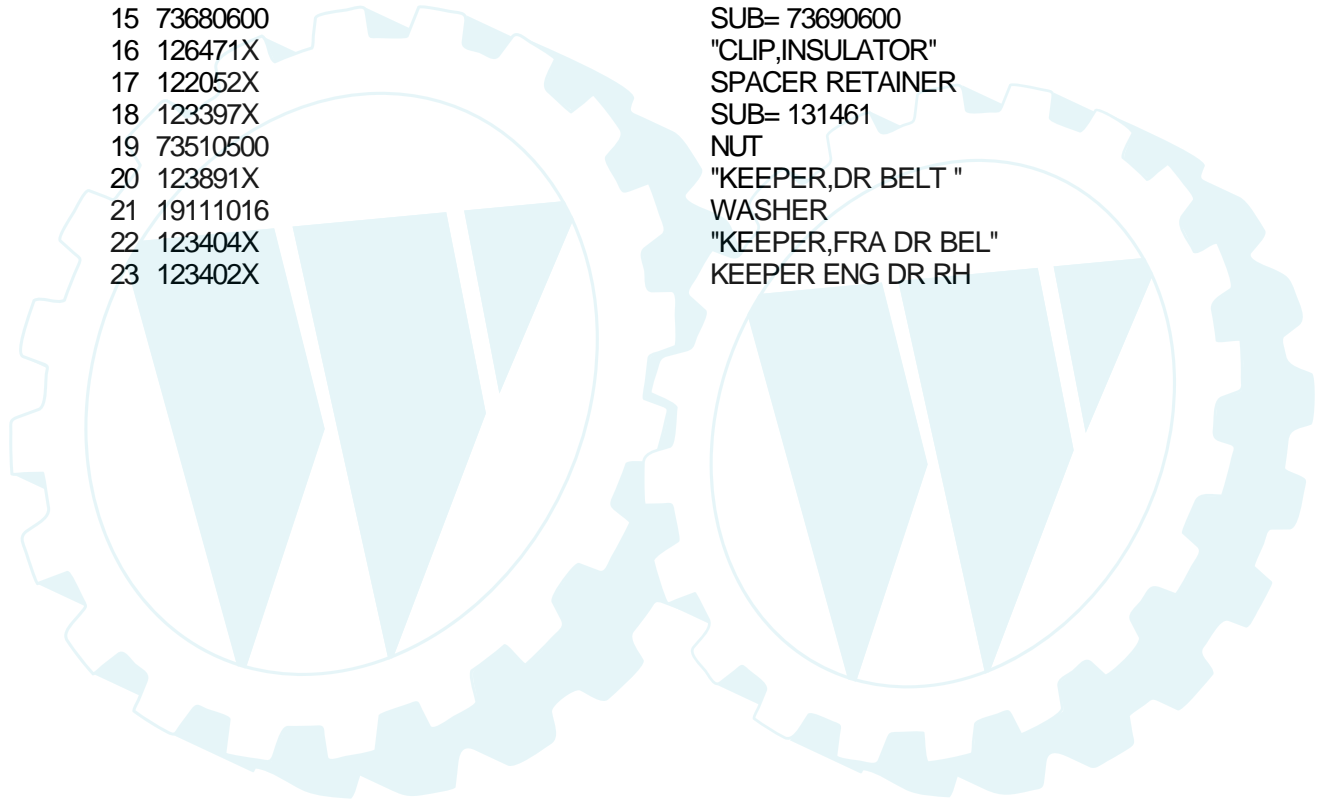
Ref #	Part Number	Qty	Description
1	73680500		SUB= 73690500
2	74760512		BOLT
3	123448X		KEEPER ENG BEL LH
4	123400X		SUB= 135893
5	10040700		LOCKWASHER
6	71130720		BOLT
7	124525X		BELT
8	123405X		"KEEPER,DRIVE BELT"
9	72140612		BOLT
10	123396X		"KEEP,IDLER DR BEL "
11	123395X		SUB= 140911
12	4859J		SUB= 123674X
13	19131316		WASHER
14	73930600		LOCKNUT
15	73680600		SUB= 73690600
16	126471X		"CLIP,INSULATOR"
17	122052X		SPACER RETAINER
18	123397X		SUB= 131461
19	73510500		NUT
20	123891X		"KEEPER,DR BELT "
21	19111016		WASHER
22	123404X		"KEEPER,FRA DR BEL "
23	123402X		KEEPER ENG DR RH



GROUND DRIVE

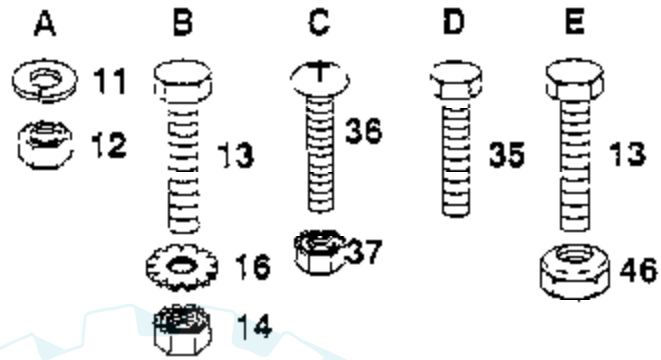


Ref #	Part Number	Qty	Description
1	73680500		SUB= 73690500
2	74760512		BOLT
3	123448X		KEEPER ENG BEL LH
4	123400X		SUB= 135893
5	10040700		LOCKWASHER
6	71130720		BOLT
7	126520X		V BELT
8	123405X		"KEEPER,DRIVE BELT"
9	72140612		BOLT
10	123396X		"KEEP,IDLER DR BEL "
11	123395X		SUB= 140911
12	4859J		SUB= 123674X
13	19131316		WASHER
14	73930600		LOCKNUT
15	73680600		SUB= 73690600
16	126471X		"CLIP,INSULATOR"
17	122052X		SPACER RETAINER
18	123397X		SUB= 131461
19	73510500		NUT
20	123891X		"KEEPER,DR BELT "
21	19111016		WASHER
22	123404X		"KEEPER,FRA DR BEL "
23	123402X		KEEPER ENG DR RH



LAWN TRACTOR - MODEL NUMBER X12D38A

ELECTRICAL



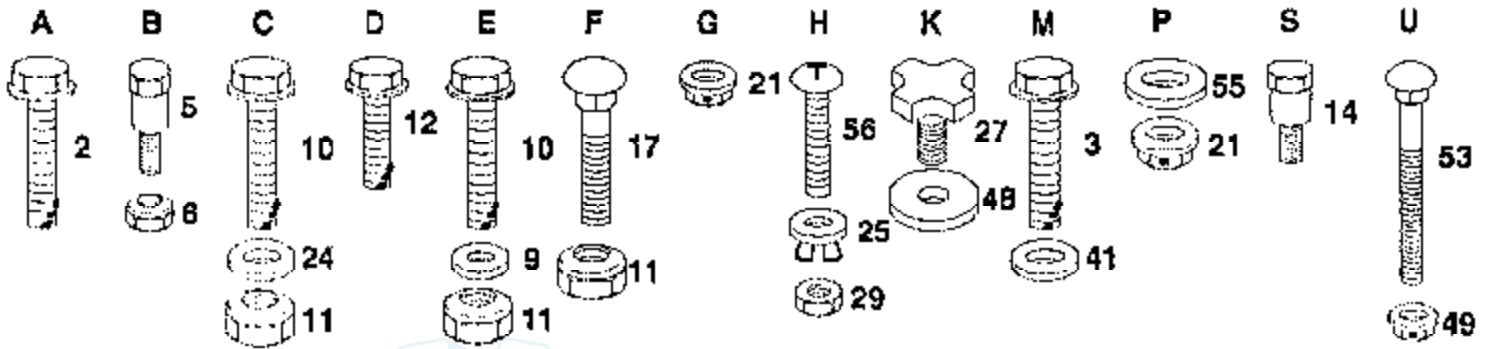
NOTE All component dimensions given in U S inches
1 inch = 25.4 mm

Ref #	Part Number	Qty	Description
11	10090400		SUB= 10040400
12	73350400		NUT
13	74780408		BOLT
14	73510400		NUT
16	11050400		LOCKWASHER
35	17021008		SCREW
36	74641008		SUB= 71031008
37	73951000		"NUT,KEPS"
46	73680400		SUB= 73690400
	101539X		SHEET INSTR LT
	127986		NLA
	127903		NLA



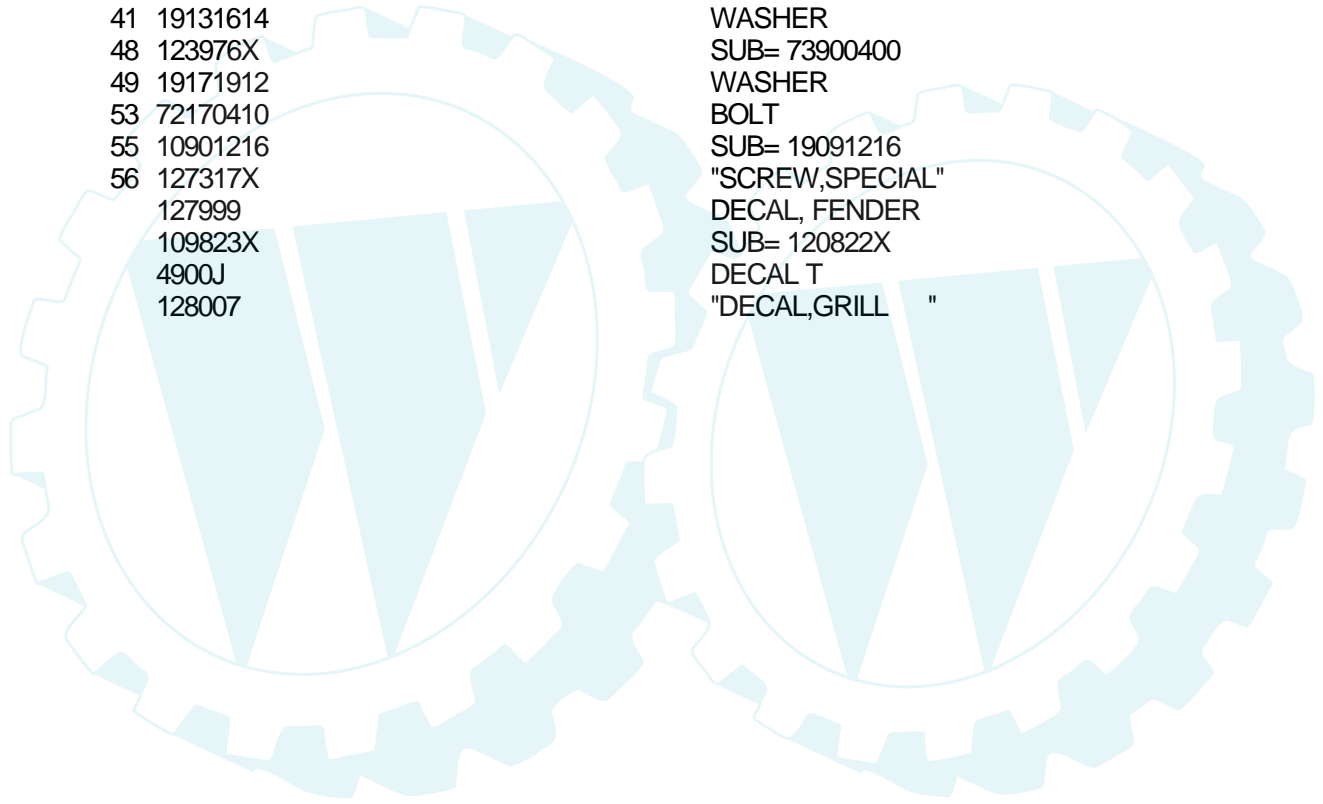
LAWN TRACTOR - MODEL NUMBER X12D38A

LOSURE



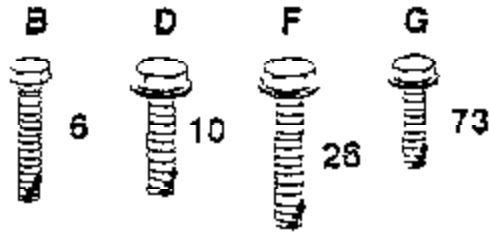
NOTE: All component dimensions given in U. S. Inches.
1 inch = 25.4 mm

Ref #	Part Number	Qty	Description
2	17490612		SCREW
3	17490616		SCREW GTV
5	105529X		SUB= 139888
6	73680500		SUB= 73690500
9	19131312		WASHER
10	74760612		SUB= 74780612
11	73680600		SUB= 73690600
12	17490608		SCREW LT
17	72110606		BOLT
21	108067X		PAL NUT LT
24	19131210		WASHER
25	127316X		RETAINER
27	120068X		"KNOB 1/2" YT"
29	127318X		"GROMMET,PLASTIC"
41	19131614		WASHER
48	123976X		SUB= 73900400
49	19171912		WASHER
53	72170410		BOLT
55	10901216		SUB= 19091216
56	127317X		"SCREW,SPECIAL"
	127999		DECAL, FENDER
	109823X		SUB= 120822X
	4900J		DECAL T
	128007		"DECAL,GRILL "

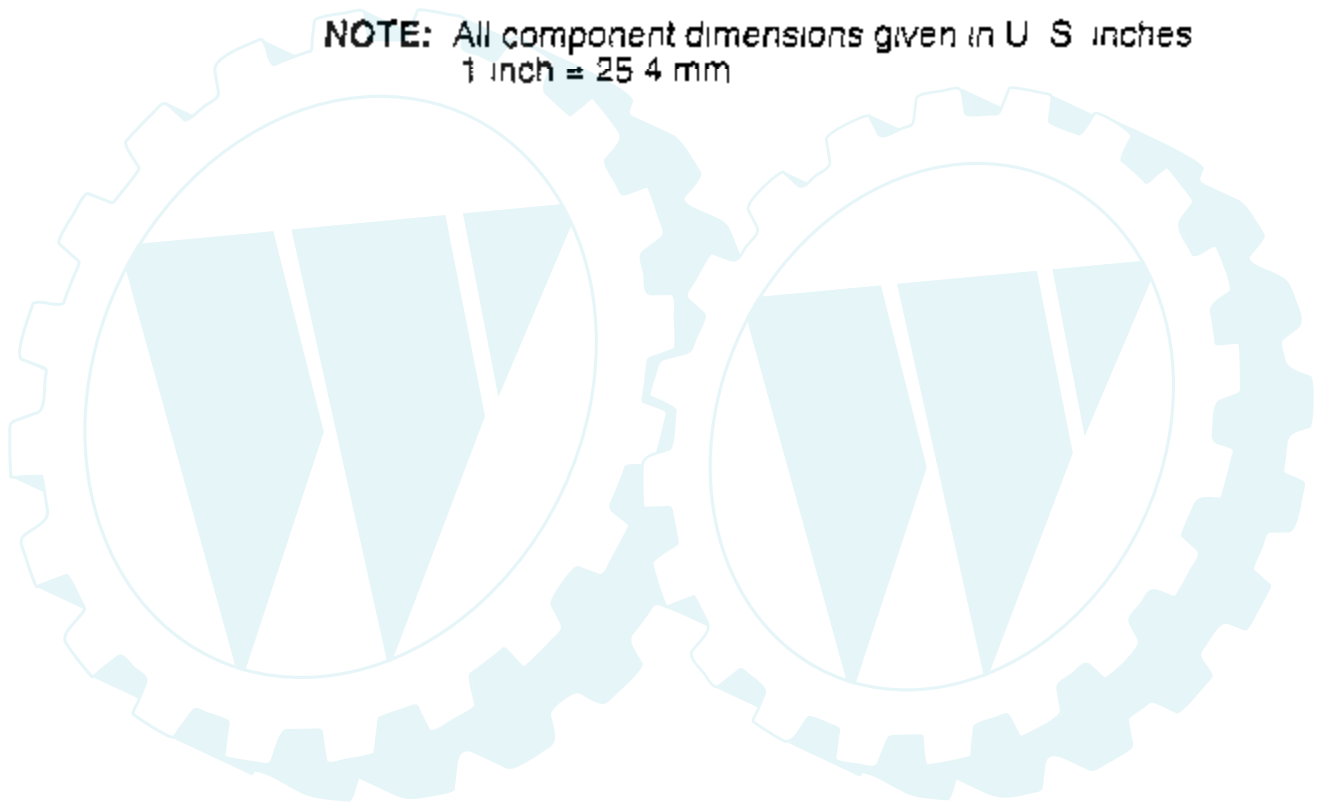


LAWN TRACTOR - MODEL NUMBER X12D38A

STEERING AND FRONT AXLE



NOTE: All component dimensions given in U S inches
1 inch = 25.4 mm

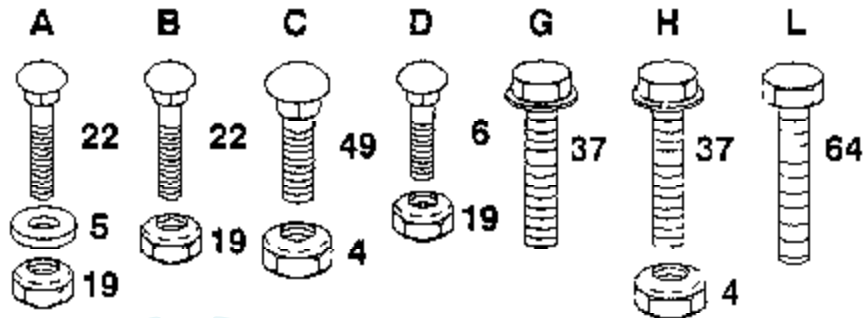


Ref #	Part Number	Qty	Description
6	17720410		SCREW LT
10	17490608		SCREW LT
26	17490612		SCREW
73	17490508		SCREW LT
	128008X		SUB= 128008
	109821X		SUB= 138956



LAWN TRACTOR - MODEL NUMBER X14V38A

38" MOWER



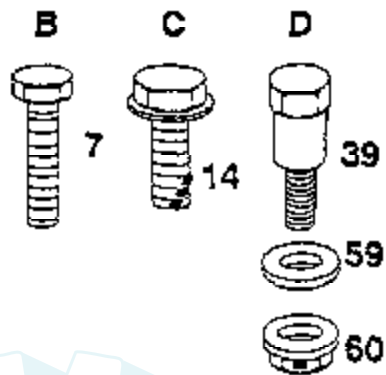
NOTE All component dimensions given in U S inches
1 inch = 25.4 mm

Ref #	Part Number	Qty	Description
4	73680600		SUB= 73690600
5	19111216		WASHER M
6	72140505		BOLT
19	73680500		SUB= 73690500
22	72140506		BOLT
37	17490620		SCREW
49	72140606		BOLT
64	72140610		BOLT.3/8-14X1.25
	123928X		MOWER ASSY
	105814X		DECAL.LT
	109820X		DECAL YT
	121349X		DECAL WARNING



LAWN TRACTOR - MODEL NUMBER X12D38A

LIFT ADJUSTMENT



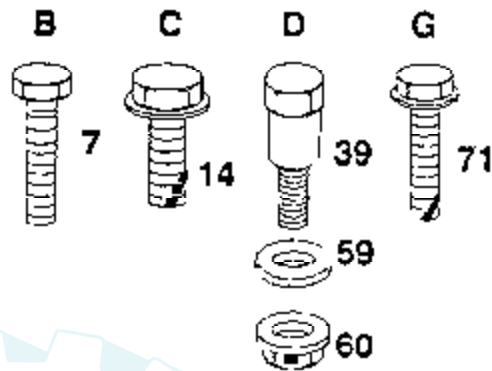
NOTE: All component dimensions given in U.S. inches
1 inch = 25.4 mm

Ref #	Part Number	Qty	Description
7	17021008		SCREW
14	17490412		SCREW HEX CRT
39	105848X		"BOLT, SHOULDER LT"
59	110739X		WASHER T
60	73980600		NUT SPECIAL T



LAWN TRACTOR - MODEL NUMBER X14V38A

LIFT ADJUSTMENT



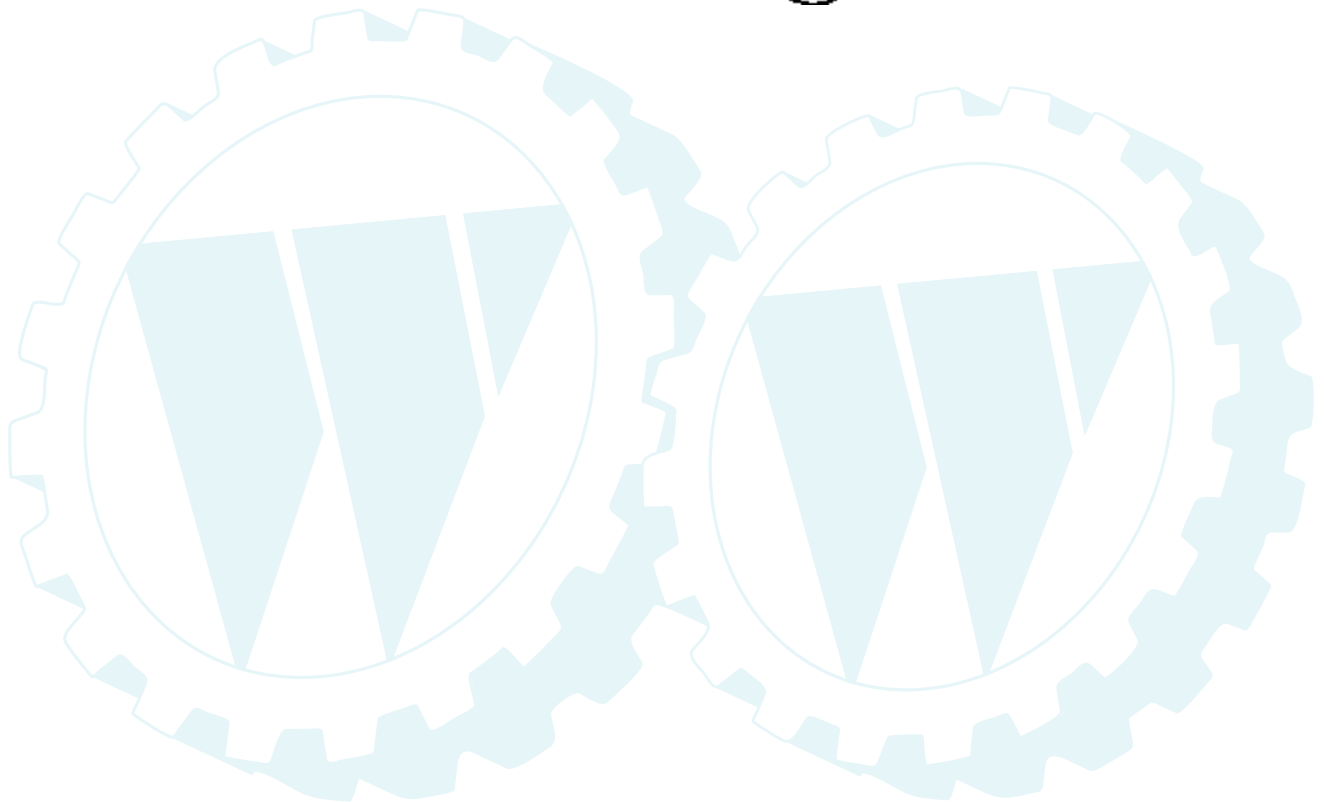
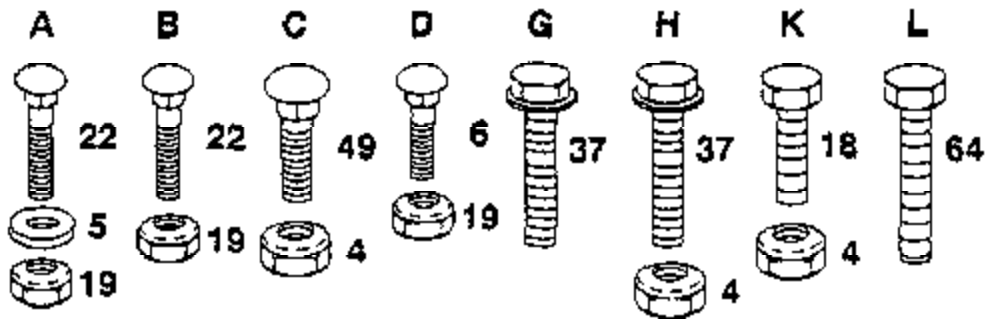
NOTE: All component dimensions given in U S inches
1 inch = 25.4 mm

Ref #	Part Number	Qty	Description
7	17021008		SCREW
14	17490412		SCREW HEX CRT
39	105848X		"BOLT, SHOULDER LT"
59	110739X		WASHER T
60	73980600		NUT SPECIAL T
71	17490612		SCREW



LAWN TRACTOR - MODEL NUMBER X12D38A

38" MOWER

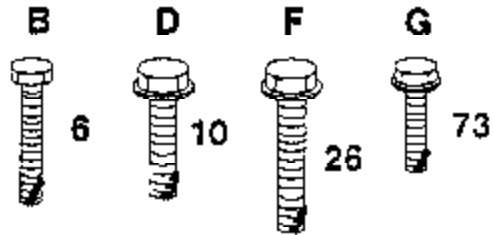


Ref #	Part Number	Qty	Description
4	73680600		SUB= 73690600
5	19111216		WASHER M
6	72140505		BOLT
18	74760612		SUB= 74780612
19	73680500		SUB= 73690500
22	72140506		BOLT
37	17490620		SCREW
49	72140606		BOLT
64	72140610		BOLT.3/8-14X1.25
	123928X		MOWER ASSY
	105814X		DECAL.LT
	109820X		DECAL YT
	121349X		DECAL WARNING

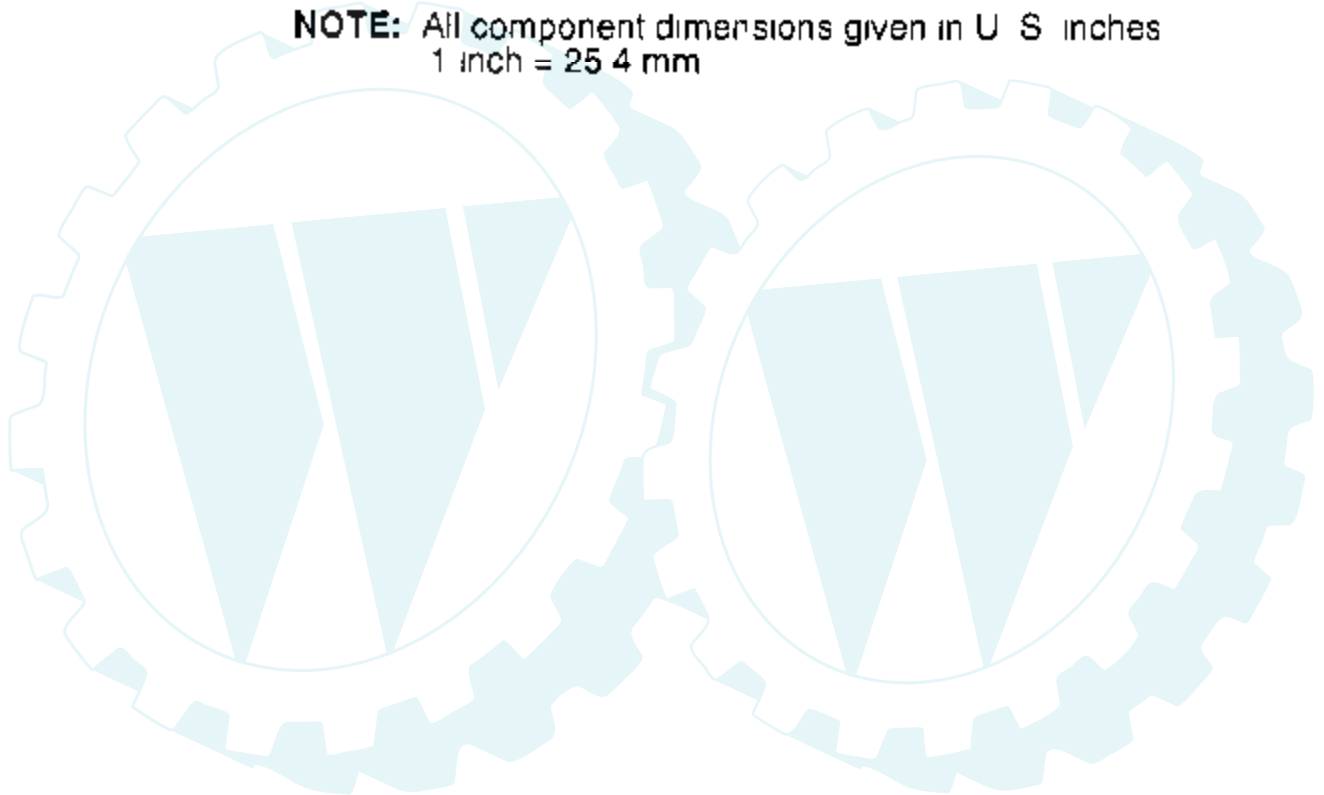


LAWN TRACTOR - MODEL NUMBER X14V38A

STEERING AND FRONT AXLE



NOTE: All component dimensions given in U S inches
1 inch = 25.4 mm

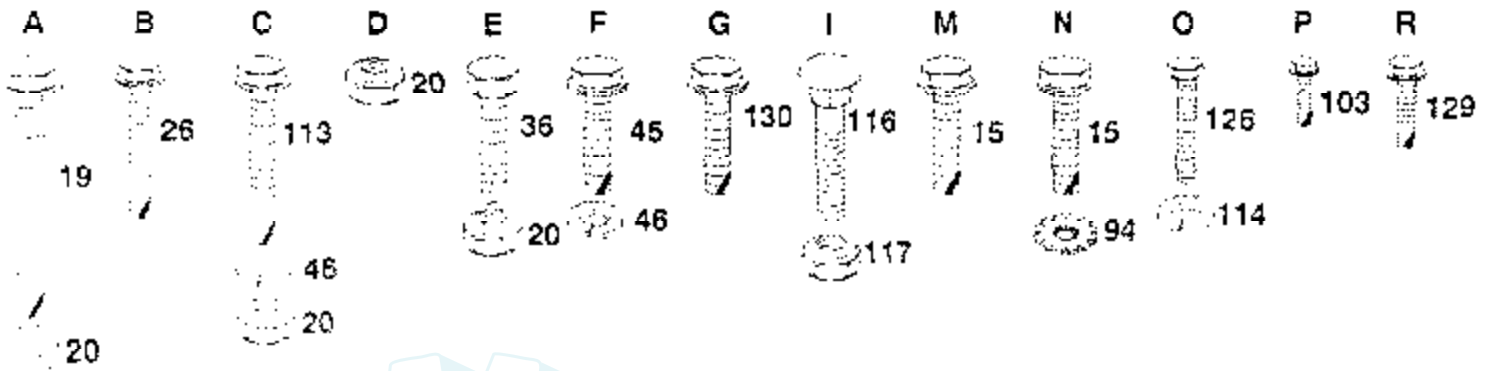


Ref #	Part Number	Qty	Description
6	17720410		SCREW LT
10	17490608		SCREW LT
26	17490612		SCREW
73	17490508		SCREW LT
	128008		"DECAL,STR WHL "
	109821X		SUB= 138956

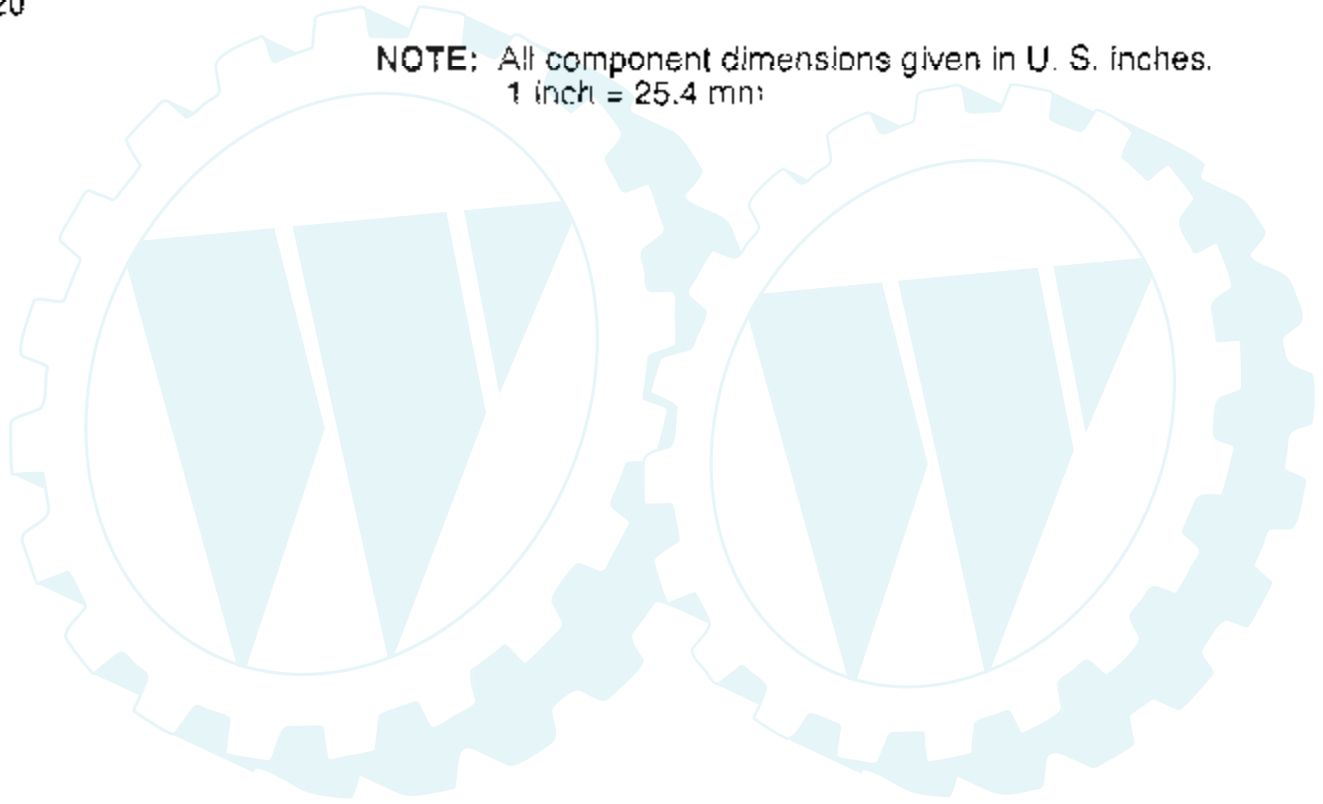


LAWN TRACTOR - MODEL NUMBER X14V38A

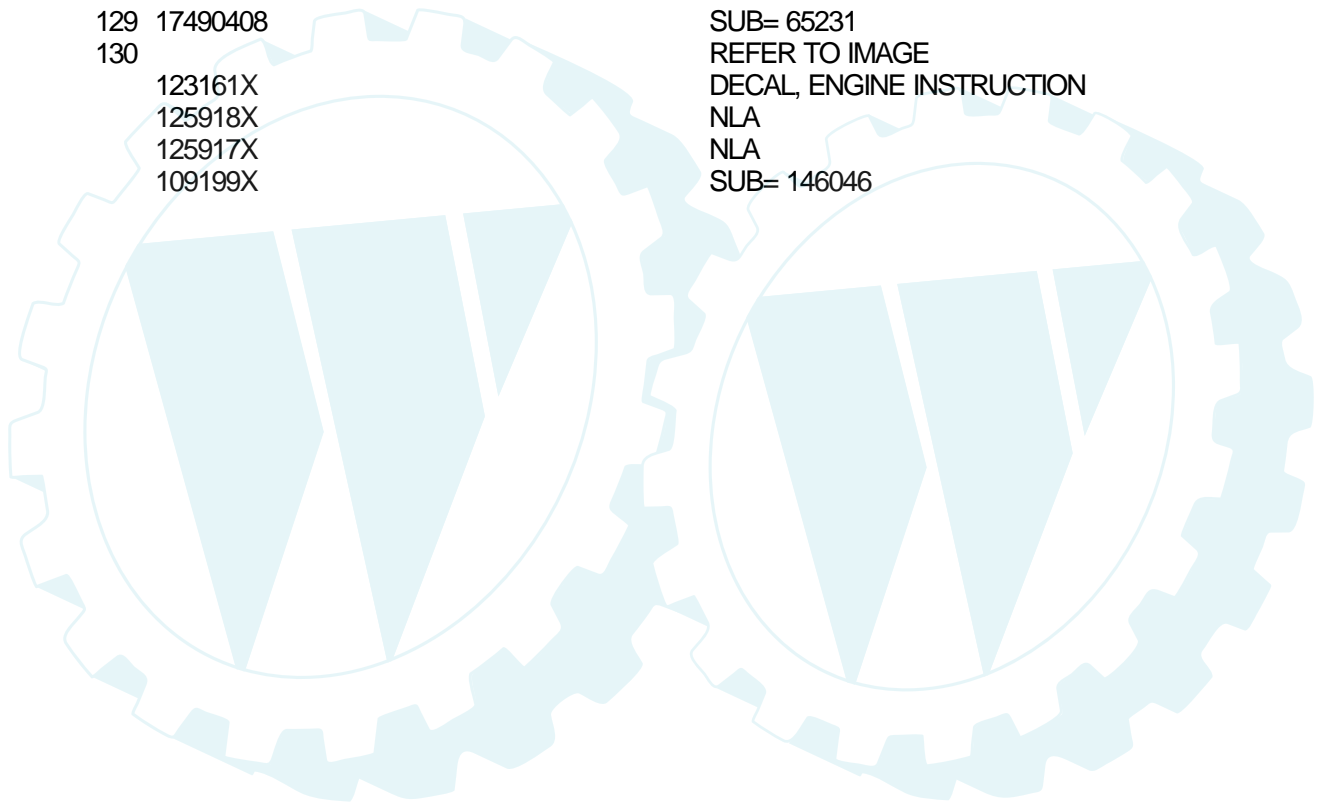
DRIVE



NOTE: All component dimensions given in U. S. inches.
1 inch = 25.4 mm

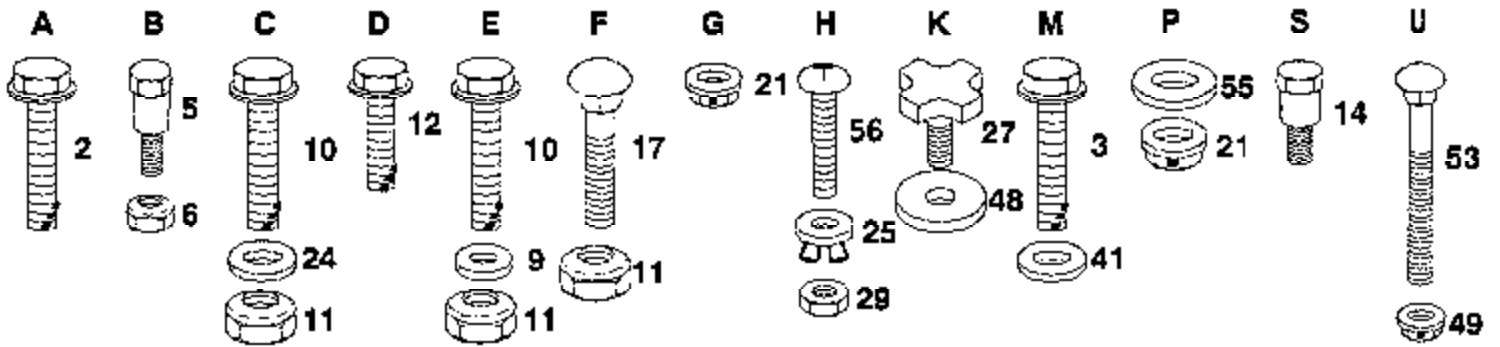


Ref #	Part Number	Qty	Description
15	17490624		SCREW LT
19	74760644		BOLT
20	73680600		SUB= 73690600
26	17490512		SCREW
36	74760612		SUB= 74780612
45	17490612		SCREW
46	19131312		WASHER
94	11050600		LOCKWASHER
103	17030808		SUB= 17030814
113	74760616		BOLT
114	19131614		WASHER
116	72140506		BOLT
117	73680500		SUB= 73690500
126	108067X		PAL NUT LT
129	17490408		SUB= 65231
130			REFER TO IMAGE
	123161X		DECAL, ENGINE INSTRUCTION
	125918X		NLA
	125917X		NLA
	109199X		SUB= 146046



LAWN TRACTOR - MODEL NUMBER X14V38A

CLOSURE

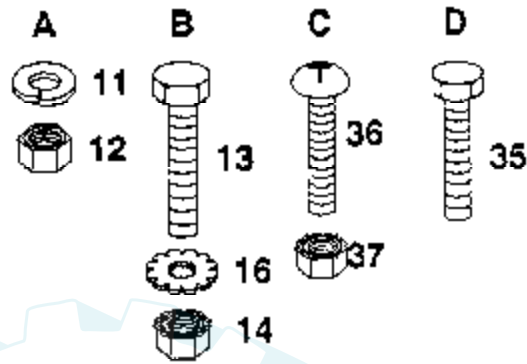


NOTE: All component dimensions given in U. S. inches.
1 inch = 25.4 mm

Ref #	Part Number	Qty	Description
2	17490612		SCREW
3	17490616		SCREW GTV
5	105529X		SUB= 139888
6	73680500		SUB= 73690500
9	19131312		WASHER
10	74760612		SUB= 74780612
11	73680600		SUB= 73690600
12	17490608		SCREW LT
14	127018		SUB= 127018X
17	72110606		BOLT
21	108067X		PAL NUT LT
24	19131210		WASHER
25	127316X		RETAINER
27	120068X		"KNOB 1/2" YT"
29	127318X		"GROMMET,PLASTIC"
41	19131614		WASHER
48	19171912		WASHER
49	123976X		SUB= 73900400
53	72170410		BOLT
55	10901216		SUB= 19091216
56	127317X		"SCREW,SPECIAL"
	127999		DECAL, FENDER
	109823X		SUB= 120822X
	101892X		DECAL T
	128007		"DECAL,GRILL "
	128005		NLA
	128026		DECAL, CHASSIS, HP
	128011		NLA
	128010		HOOD DECAL RH

LAWN TRACTOR - MODEL NUMBER X14V38A

ELECTRICAL



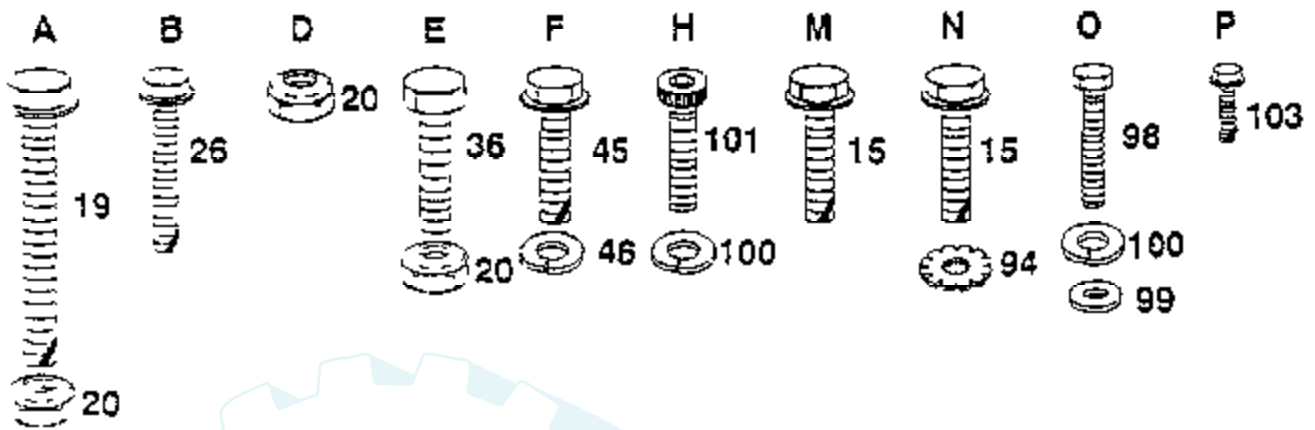
NOTE All component dimensions given in U S inches
1 inch = 25.4 mm

Ref #	Part Number	Qty	Description
11	10090400		SUB= 10040400
12	73350400		NUT
13	74780408		BOLT
14	73510400		NUT
16	11050400		LOCKWASHER
35	17021008		SCREW
36	74641008		SUB= 71031008
37	73951000		"NUT,KEPS"
	101539X		SHEET INSTR LT
	127987		NLA
	127903		NLA



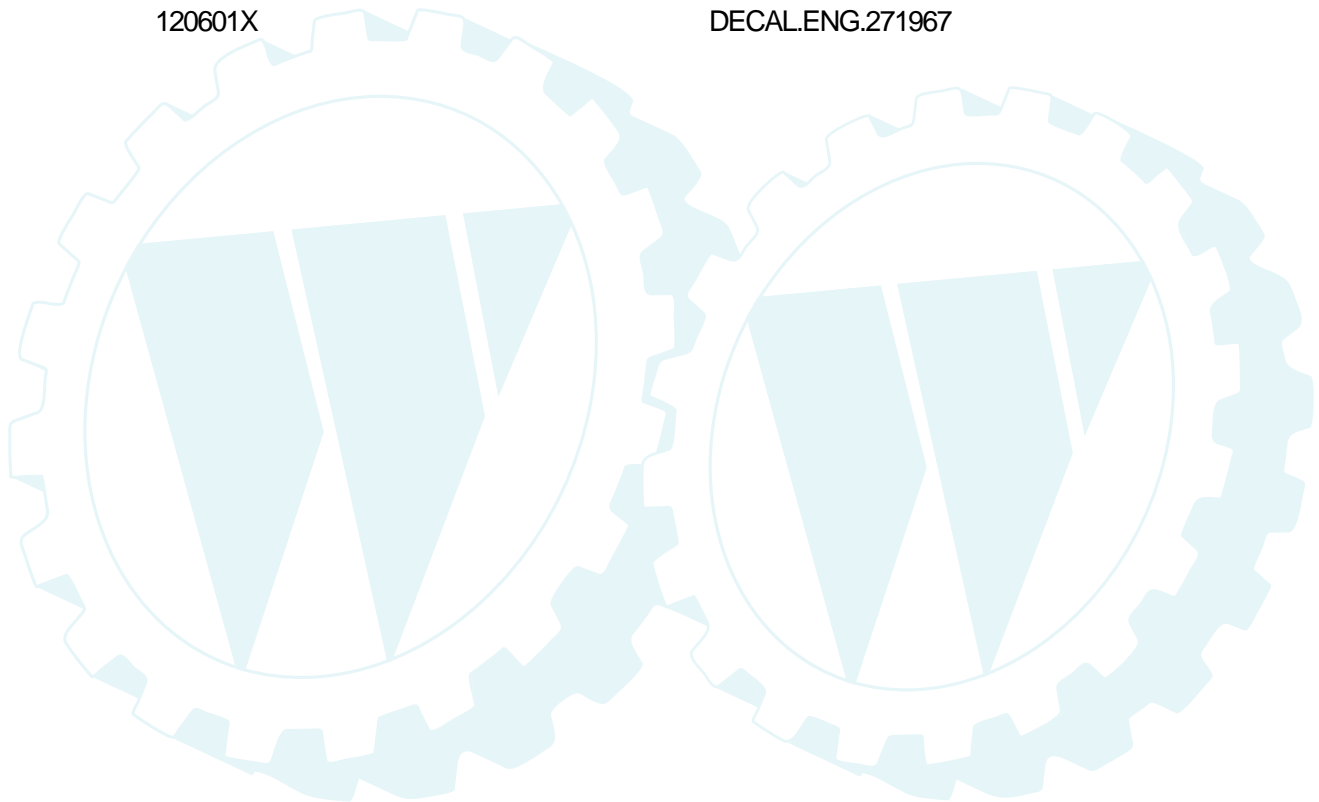
LAWN TRACTOR - MODEL NUMBER X12D38A

DRIVE

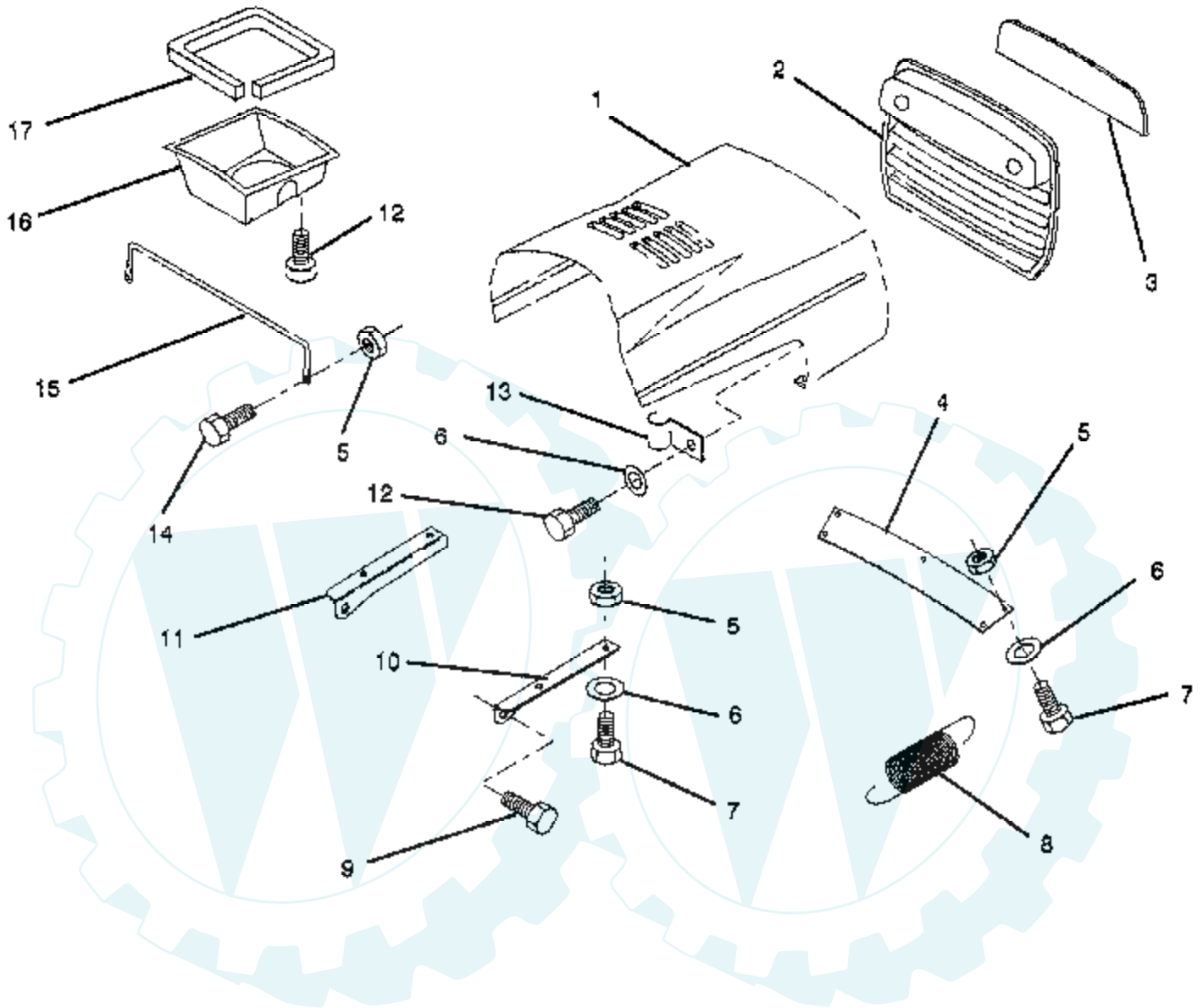


NOTE: All component dimensions given in U S inches
1 inch = 25.4 mm

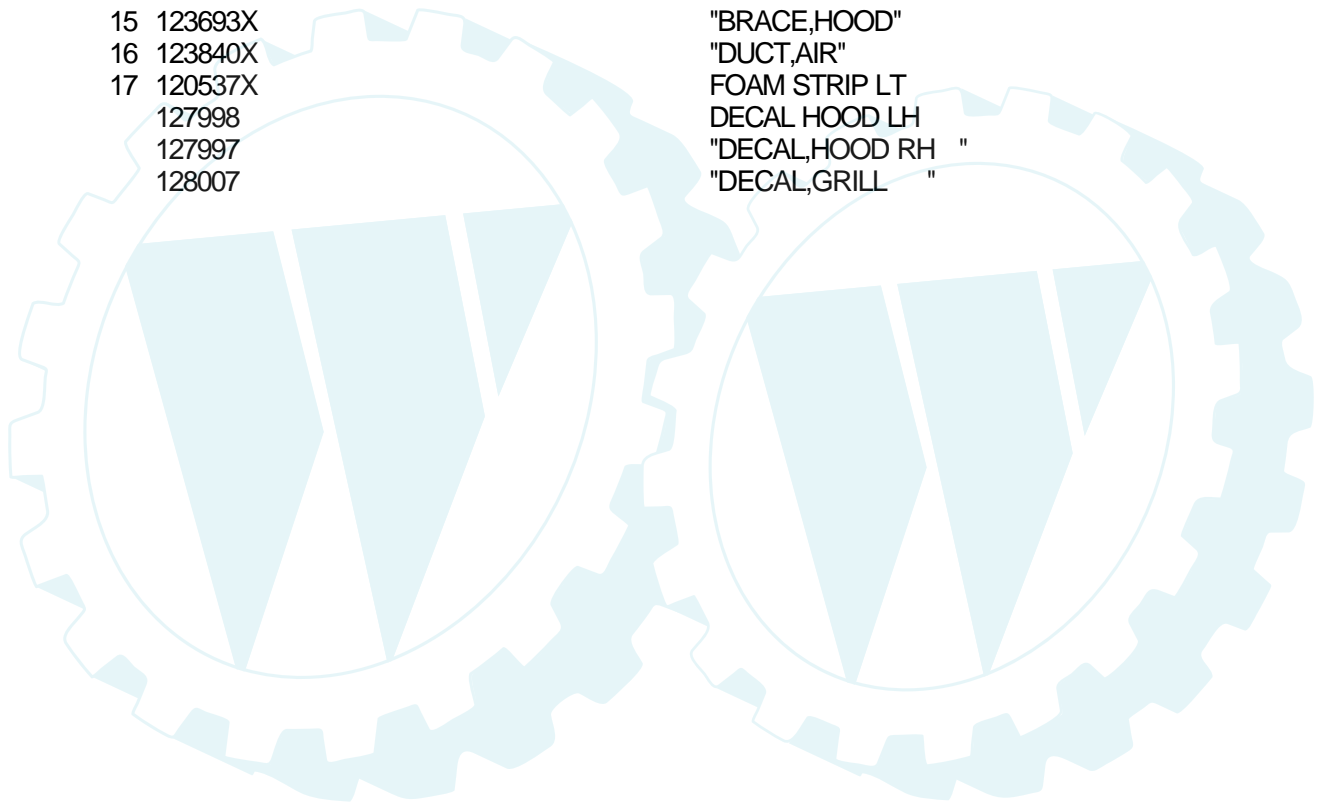
Ref #	Part Number	Qty	Description
15	17490620		SCREW
19	74760644		BOLT
20	73680600		SUB= 73690600
26	17490512		SCREW
36	74760612		SUB= 74780612
45	17490612		SCREW
46	19131312		WASHER
94	11050600		LOCKWASHER
98	74760416		BOLT
99	19091016		WASHER
100	10040500		LOCKWASHER
101	71070510		SCREW LT
103	17030808		SUB= 17030814
	121120X		DECAL
	120601X		DECAL.ENG.271967



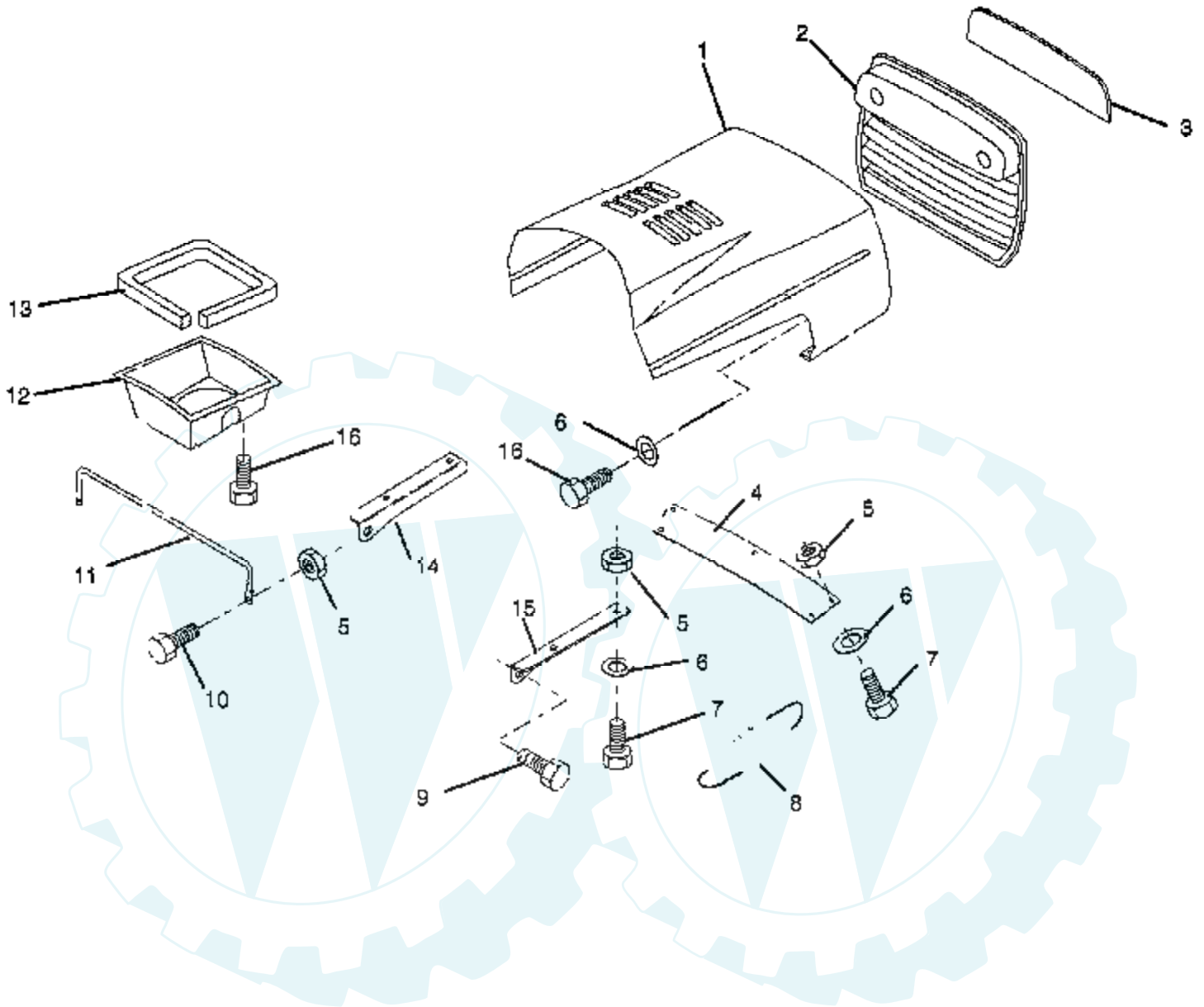
HOOD



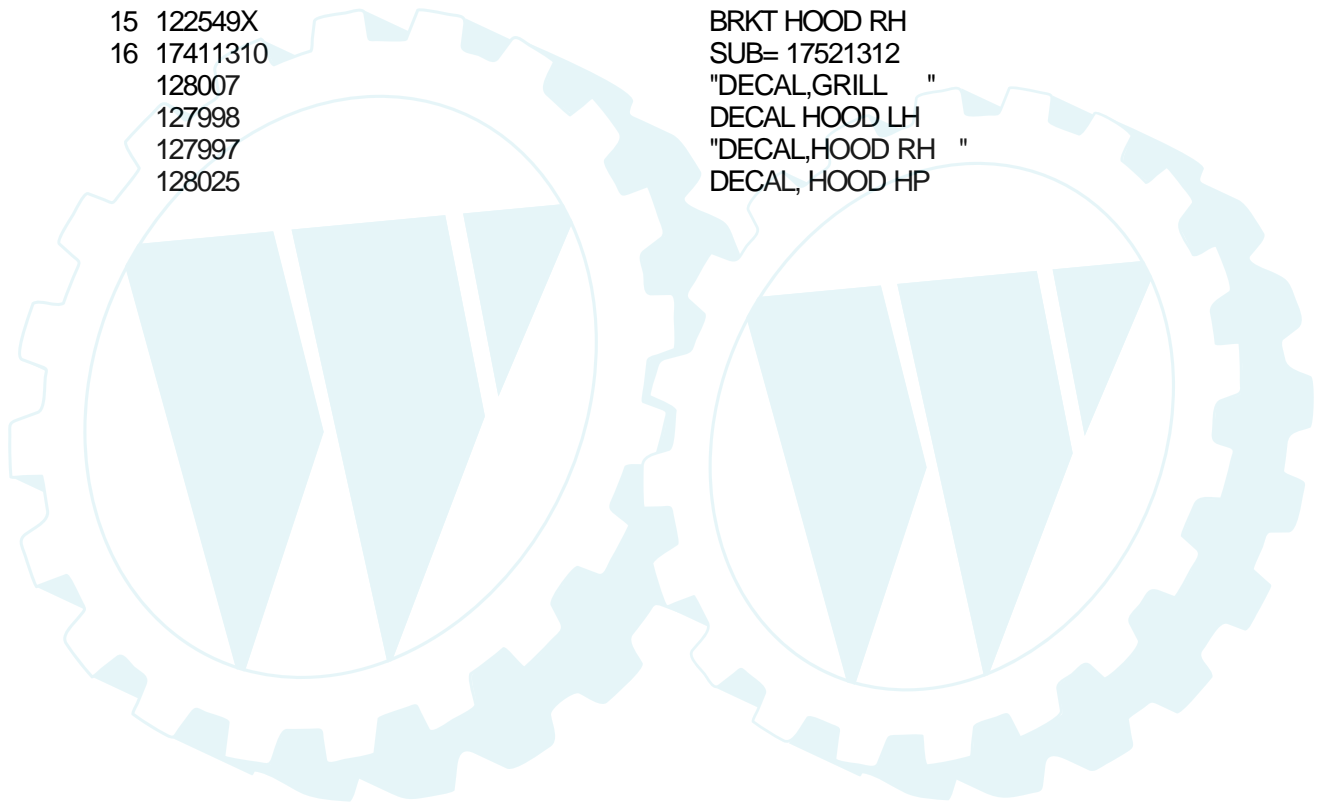
Ref #	Part Number	Qty	Description
1	122032X476		SUB= 132918X475
2	127176X476		SUB= 134232X428
3	127178		LENS T
4	122550X475		STRAP
5	73510400		NUT
6	19091016		WASHER
7	74780410		BOLT
8	124657X		EXT SPRING
9	126675X		SUB= 139888
10	122549X		BRKT HOOD RH
11	122548X		BRKT HOOD LH
12	17411310		SUB= 17521312
13	2751R		CLIP T
14	74780412		SUB= 74780414
15	123693X		"BRACE,HOOD"
16	123840X		"DUCT,AIR"
17	120537X		FOAM STRIP LT
	127998		DECAL HOOD LH
	127997		"DECAL,HOOD RH "
	128007		"DECAL,GRILL "



HOOD

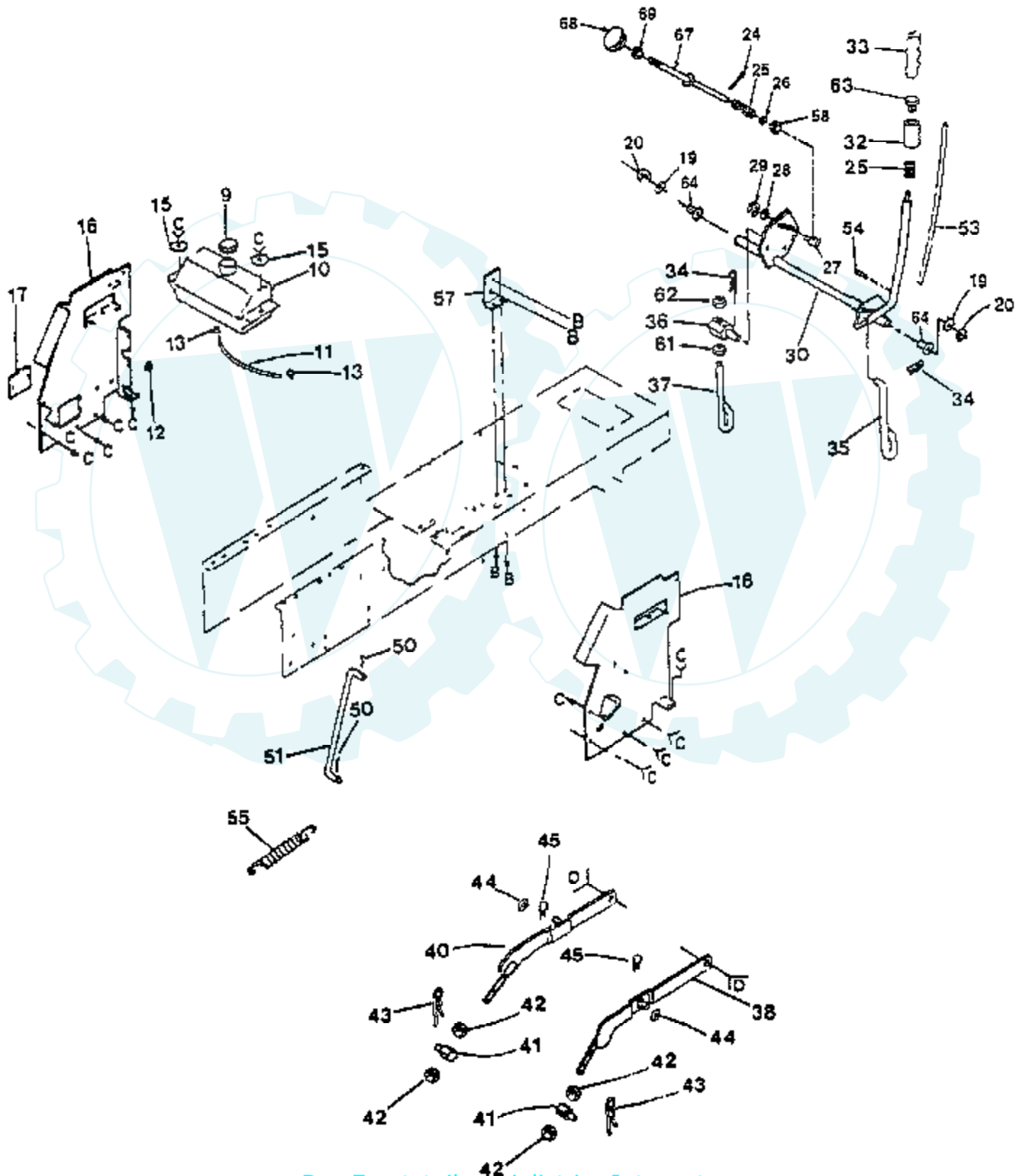


Ref #	Part Number	Qty	Description
1	122032X476		SUB= 132918X475
2	127176X476		SUB= 134232X428
3	127178		LENS T
4	122550X475		STRAP
5	73510400		NUT
6	19091016		WASHER
7	74780410		BOLT
8	124657X		EXT SPRING
9	126675X		SUB= 139888
10	74780412		SUB= 74780414
11	123693X		"BRACE,HOOD"
12	123840X		"DUCT,AIR"
13	120537X		FOAM STRIP LT
14	122548X		BRKT HOOD LH
15	122549X		BRKT HOOD RH
16	17411310		SUB= 17521312
	128007		"DECAL,GRILL "
	127998		DECAL HOOD LH
	127997		"DECAL,HOOD RH "
	128025		DECAL, HOOD HP



LAWN TRACTOR - MODEL NUMBER X12D38A

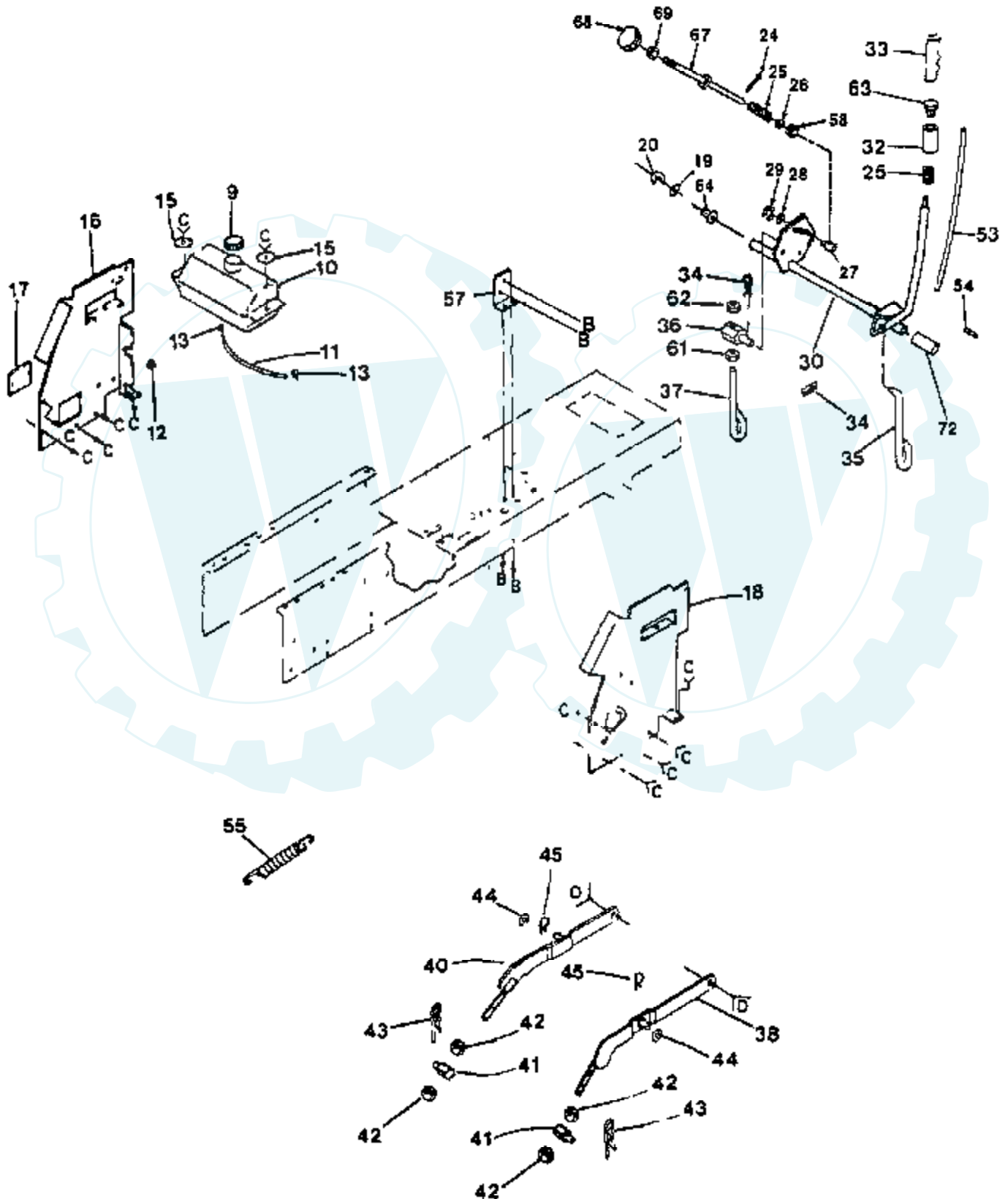
LIFT ADJUSTMENT



Ref #	Part Number	Qty	Description
9	123549X		SUB= 158990
10	109202X		TANK.FUEL.LT.
11	101335K		SUB= 8548R
12	9151R		SNAP BUSHING T
13	123487X		HOSE CLAMP
15	19091416		WASHER
16	122795X		PANEL DASH LH
17	121794X		COVER ACCESS
18	126276X		SUB= 155936
19	19211416		WASHER
20	1200022		SUB= 12000022
24	76020308		SUB= 3145
25	122512X		SUB= 532122512
26	19131016		WASHER
27	110810X		TRUNION LT
28	19151216		WASHER
29	12000037		KLIP RING
30	122507X		SUB= 145117
32	122364X		SUB= 125925X
33	109413X		GRIP
34	4939M		SUB= 85902
35	110029X		LIFT LINK LT
36	110447X		SUB= 132793
37	110448X		PIVOT PIN T
38	121598X		RH SUSP ARM ASM
40	121599X		LH SUSP ARM ASM
41	106308X		SUB= 130171
42	73220800		NUT
43	9135R		SPRING H
44	19171516		WASHER T
45	4921H		SPRING.RETAINER
50	76020412		COTTER PIN
51	124444X		SUB= 532124444
54	105767X		PIN-GROOVE LT
55	124446X		SUB= 532124446
57	108236X		BRACKET LT
58	110807X		NUT T
61	73360700		NUT
62	73710700		NUT LOCK YTH
63	124526X		SUB= 125925X
67	105768X		LEVER ASSY LT
68	100734X		SUB= 138057
69	110809X		SUB= 532126971

LAWN TRACTOR - MODEL NUMBER X14V38A

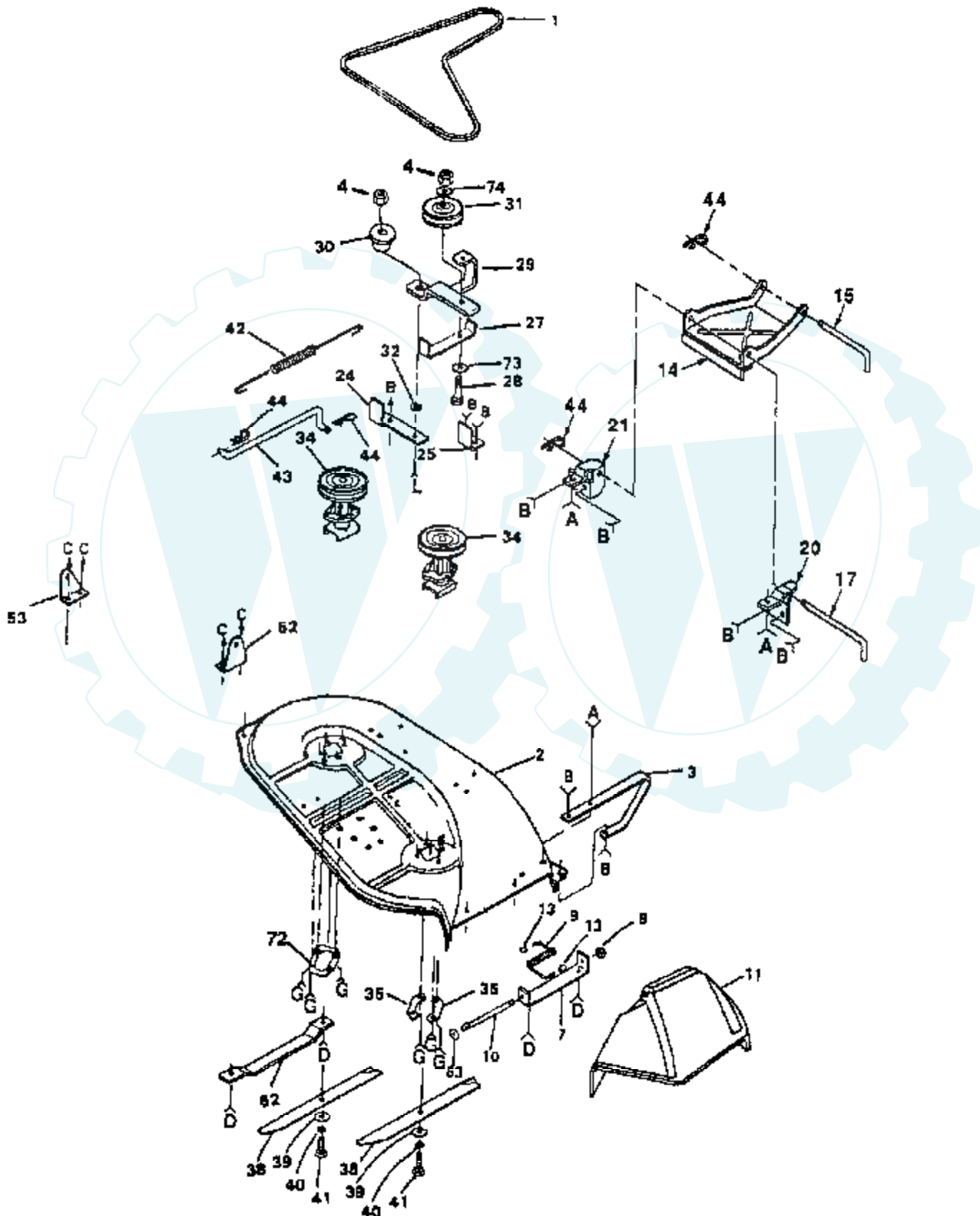
LIFT ADJUSTMENT



Ref #	Part Number	Qty	Description
9	123549X		SUB= 158990
10	109202X		TANK.FUEL.LT.
11	101335K		SUB= 8548R
12	9151R		SNAP BUSHING T
13	123487X		HOSE CLAMP
15	19091416		WASHER
16	122795X		PANEL DASH LH
17	121794X		COVER ACCESS
18	126276X		SUB= 155936
19	19211416		WASHER
20	1200022		SUB= 12000022
24	76020308		SUB= 3145
25	2876H		SPRING T
26	19131016		WASHER
27	110810X		TRUNION LT
28	19151216		WASHER
29	12000037		KLIP RING
30	122507X		SUB= 145117
32	122364X		SUB= 125925X
33	109413X		GRIP
34	4939M		SUB= 85902
35	110029X		LIFT LINK LT
36	110447X		SUB= 132793
37	110448X		PIVOT PIN T
38	121598X		RH SUSP ARM ASM
40	121599X		LH SUSP ARM ASM
41	106308X		SUB= 130171
42	73220800		NUT
43	9135R		SPRING H
44	19171516		WASHER T
45	4921H		SPRING.RETAINER
53	105765X		SUB= 105764X
54	105767X		PIN-GROOVE LT
55	124446X		SUB= 532124446
57	108236X		BRACKET LT
58	110807X		NUT T
61	73360700		NUT
62	73710700		NUT LOCK YTH
63	124526X		SUB= 125925X
64	120183X		NYLON BEARING
67	105768X		LEVER ASSY LT
68	100734K		SUB= 138057
69	110809X		SUB= 532126971
72	105766X		COUPLE LEVER T

LAWN TRACTOR - MODEL NUMBER X14V38A

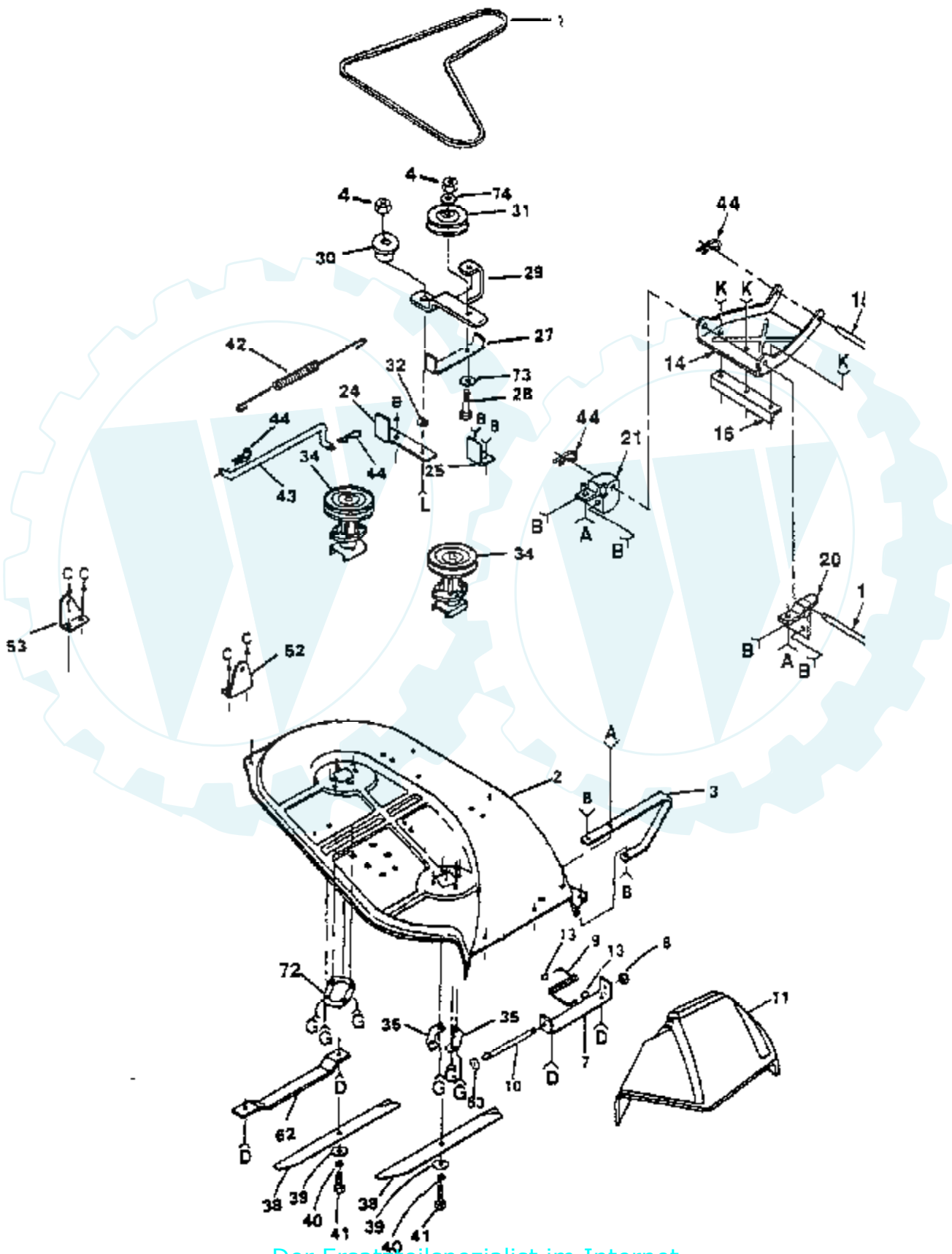
38" MOWER



Ref #	Part Number	Qty	Description
1	106085X		BELT-V.79.1.MWR
2	121458X		SUB= 144726
3	8417J		SUB= 128772
4	73680600		SUB= 73690600
7	105896X		SUB= 137607
8	110452X		NUT PUSH M
9	106734X		SUB= 123713X
10	106735X		ROD-HINGE T
11	106736X		DEFLECTOR-SHLD T
13	105304X		CAP-SLEEVE LT
14	129762		"STOP, LINK PARAL"
15	105744X		"ROD, FRT. PARAL T"
17	109835X		HINGE PIN T
20	109598X		BRACKET RH LT
21	109597X		BRACKET LH T
24	109503X		SUPPORT ARM T
25	109504X		STOP T
27	126756X		GUIDE.BELT
28	74760636		BOLT
29	127162X		ARM IDLER T
30	106902X		SPACER RETAINER
31	123688X		SUB= 121316X
32	106513X		"WASHER, WEAR LT"
34	121687X		"JACKSHAFT.38""LT"
35	100668L		SUPPORT PLATE LT
38	121263X		"BLADE.38"" HI-LI"
39	19132012		WASHER
40	10030600		SUB= 10040600
41	74610624		BOLT.3/8-24X1-1/2
42	102727X		"SPRING.EXT.8.5""
43	108235X		ROD LT
44	4921H		SPRING.RETAINER
52	105857X		"BRKT,SUSP RH T"
53	108673X		"BRKT,SUSP REAR LH"
62	7631J		RUNNER-LH M
63	19111016		WASHER
72	110445X		SUPPORT T
73	19131316		WASHER
74	19131210		WASHER
	123928X		MOWER ASSY
	105814X		DECAL.LT
	109820X		DECAL YT
	121349X		DECAL WARNING

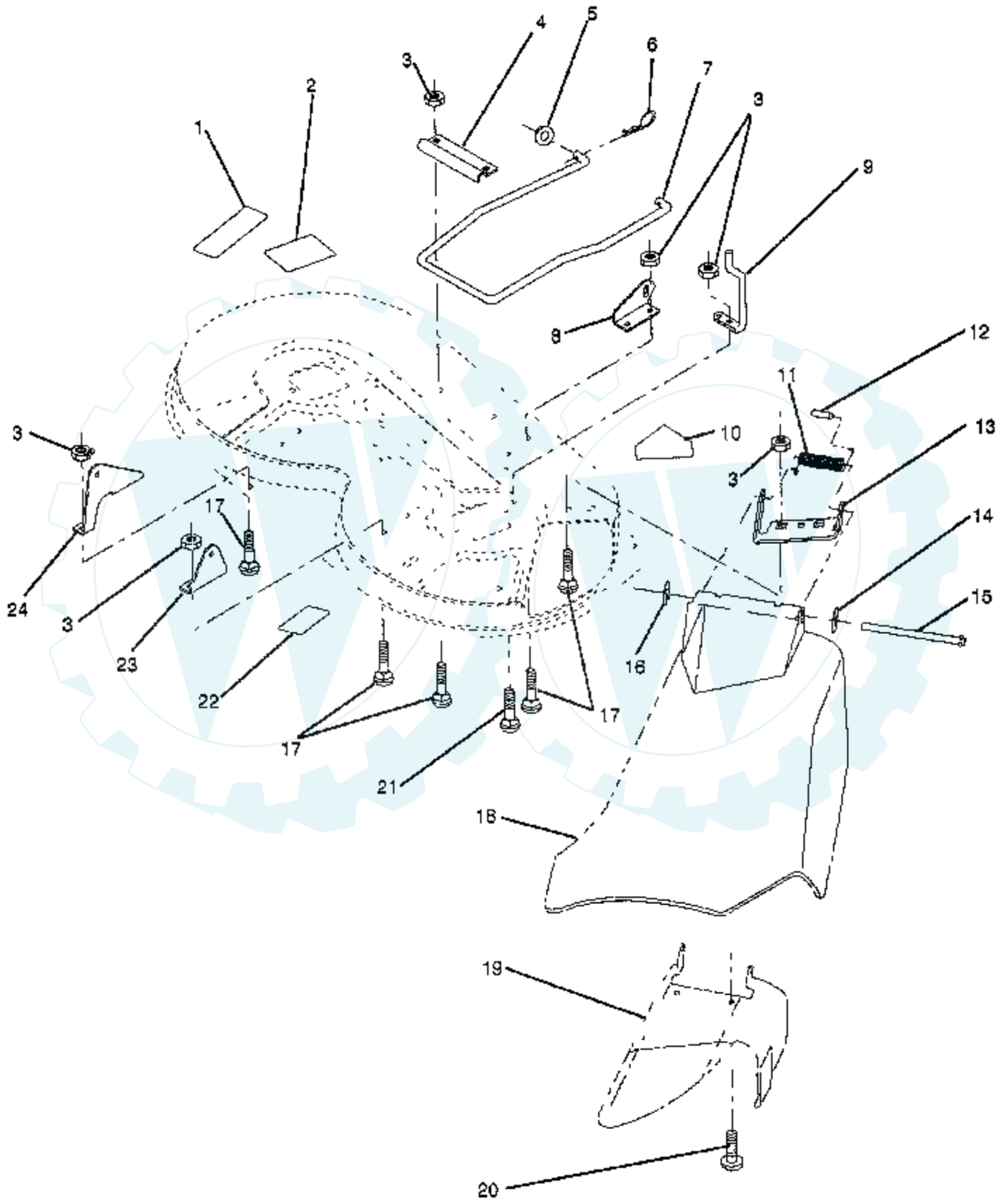
LAWN TRACTOR - MODEL NUMBER X12D38A

38" MOWER

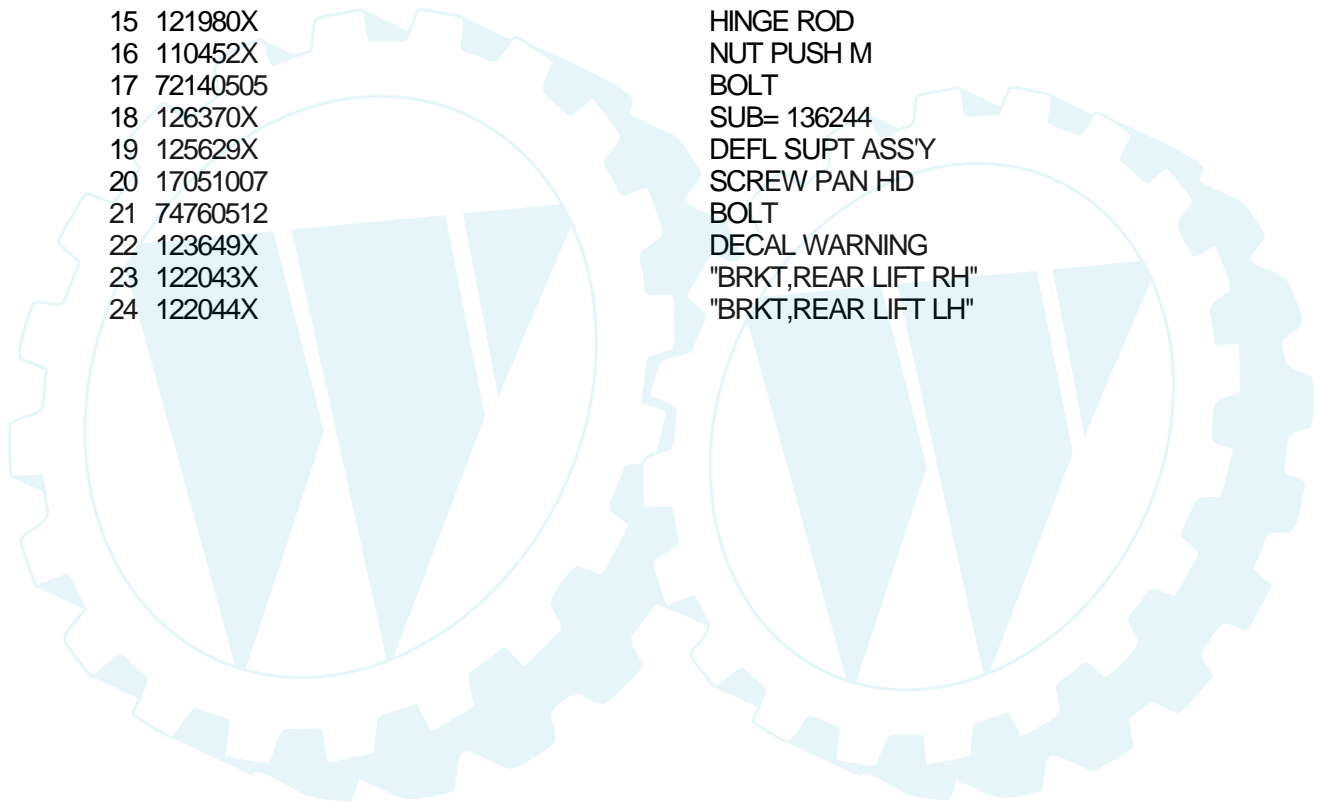


Ref #	Part Number	Qty	Description
1	106085X		BELT-V.79.1.MWR
2	121458X		SUB= 144726
3	8417J		SUB= 128772
4	73680600		SUB= 73690600
7	105896X		SUB= 137607
8	110452X		NUT PUSH M
9	106734X		SUB= 123713X
10	106735X		ROD-HINGE T
11	106736X		DEFLECTOR-SHLD T
13	105304X		CAP-SLEEVE LT
14	105662X		LINK.PARALLEL
15	105744X		"ROD, FRT. PARAL T"
16	105872X		LINK STOP
20	109598X		BRACKET RH LT
21	109597X		BRACKET LH T
24	109503X		SUPPORT ARM T
25	109504X		STOP T
28	74760636		BOLT
29	127162X		ARM IDLER T
30	106902X		SPACER RETAINER
31	123688X		SUB= 121316X
32	106513X		"WASHER, WEAR LT"
34	121687X		"JACKSHAFT.38""LT"
35	100668L		SUPPORT PLATE LT
38	121263X		"BLADE.38"" HI-LI"
39	19132012		WASHER
40	10030600		SUB= 10040600
41	74610624		BOLT.3/8-24X1-1/2
42	102727X		"SPRING.EXT.8.5""
43	108235X		ROD LT
44	4921H		SPRING.RETAINER
52	105857X		"BRKT,SUSP RH T"
53	108673X		"BRKT,SUSP REAR LH"
62	7631J		RUNNER-LH M
63	19111016		WASHER
72	110445X		SUPPORT T
73	19131316		WASHER
74	19121219		SUB= 19131210
	123928X		MOWER ASSY
	105814X		DECAL.LT
	109820X		DECAL YT
	121349X		DECAL WARNING

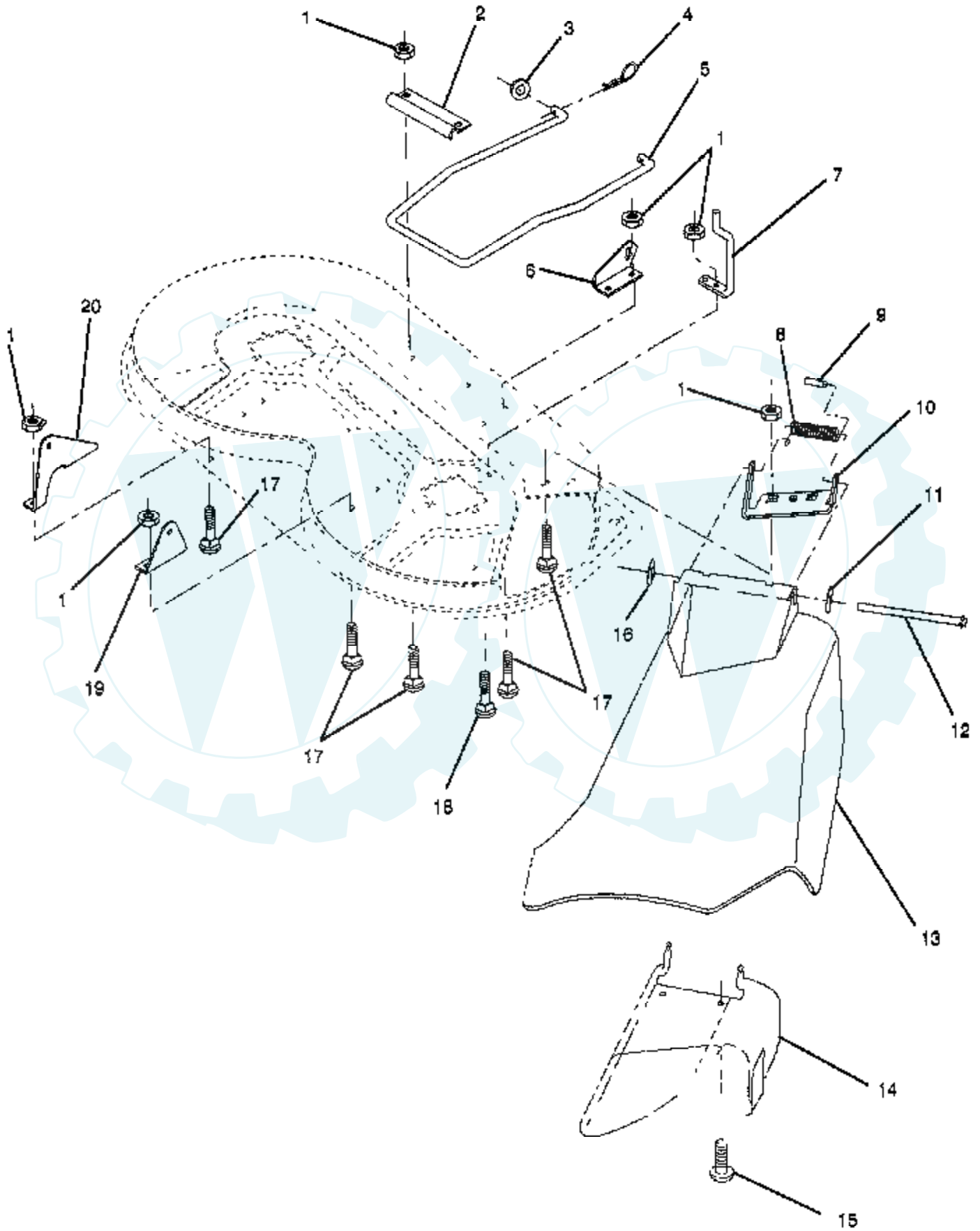
MOWER DECK



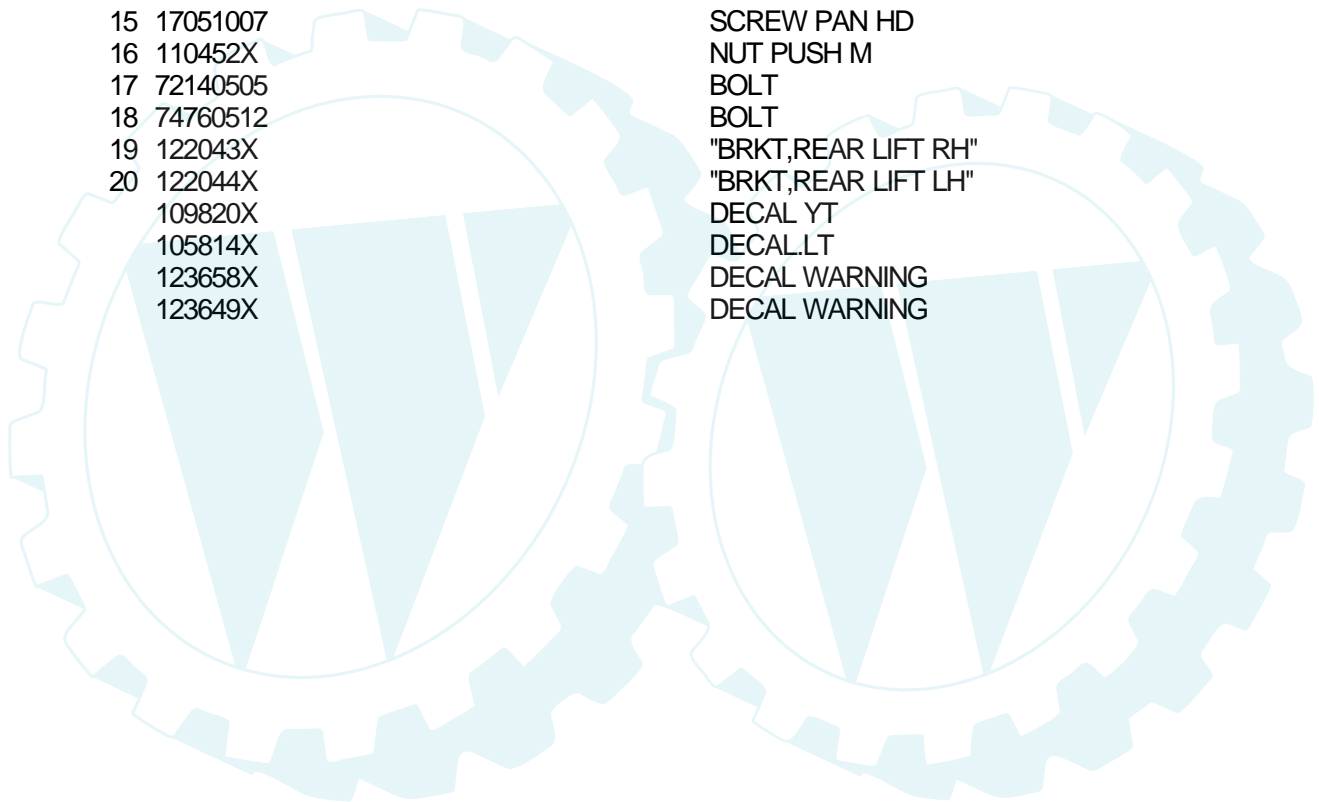
Ref #	Part Number	Qty	Description
1	109820X		DECAL YT
2	105814X		DECAL.LT
3	73680500		SUB= 73690500
4	122047X		"BRKT,STAB LINK"
5	19171713		SUB= 146537
6	3146R		RETAINER.SPRING
7	124636X		STABILIZER MOWER
8	122045X		"BRKT,FRT LIFT RH"
9	123661X		"GUIDE,FRT MAN RH"
10	123658X		DECAL WARNING
11	123713X		SPRING TORSION
12	105304X		CAP-SLEEVE LT
13	126361X		SUB= 532136631
14	19111016		WASHER
15	121980X		HINGE ROD
16	110452X		NUT PUSH M
17	72140505		BOLT
18	126370X		SUB= 136244
19	125629X		DEFL SUPT ASS'Y
20	17051007		SCREW PAN HD
21	74760512		BOLT
22	123649X		DECAL WARNING
23	122043X		"BRKT,REAR LIFT RH"
24	122044X		"BRKT,REAR LIFT LH"



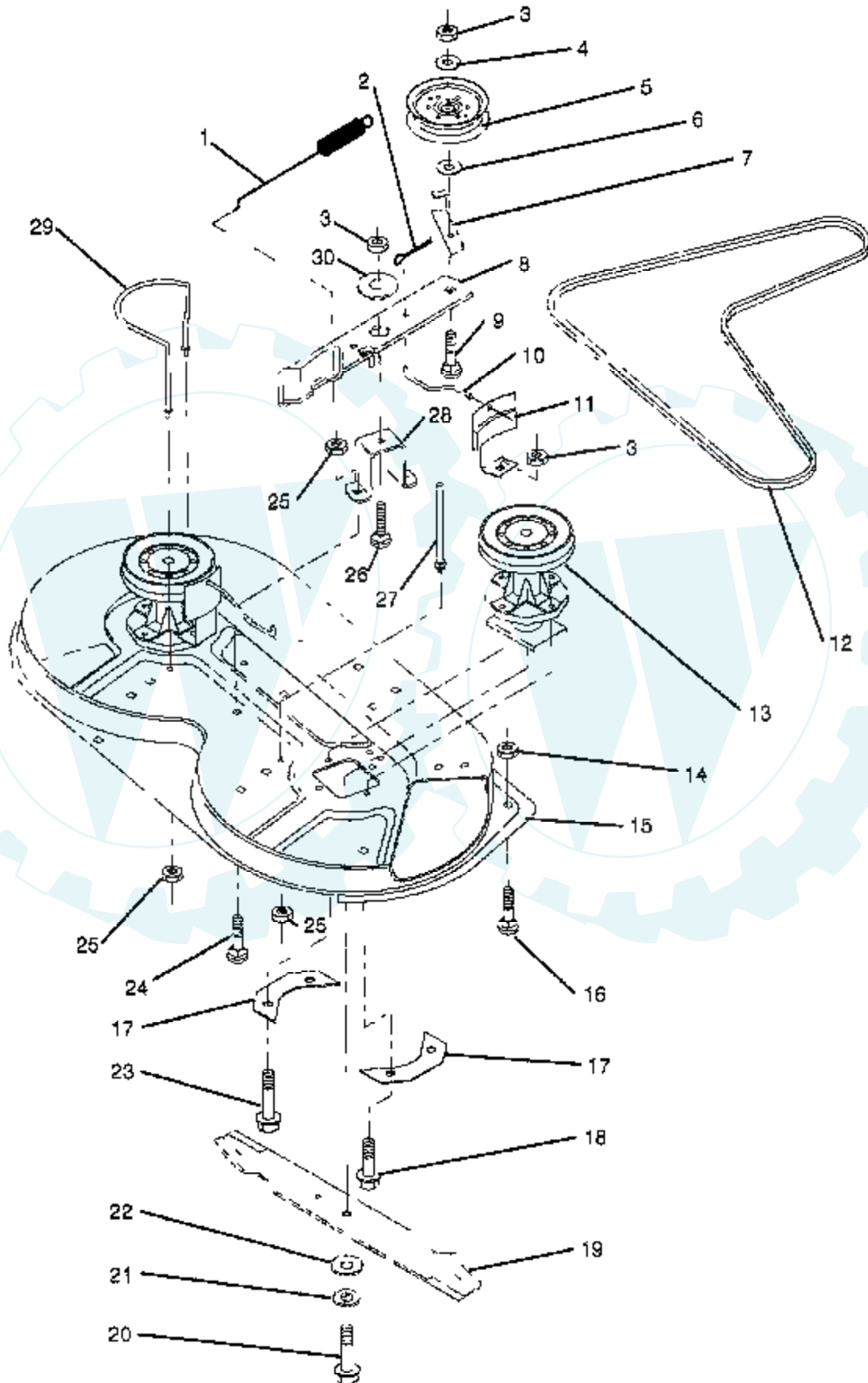
MOWER DECK



Ref #	Part Number	Qty	Description
1	73680600		SUB= 73690600
2	122047X		"BRKT,STAB LINK"
3	19171713		SUB= 146537
4	3146R		RETAINER.SPRING
5	124636X		STABILIZER MOWER
6	122045X		"BRKT,FRT LIFT RH"
7	123661X		"GUIDE,FRT MAN RH"
8	123713X		SPRING TORSION
9	105304X		CAP-SLEEVE LT
10	126361X		SUB= 532136631
11	19111016		WASHER
12	121980X		HINGE ROD
13	126370X		SUB= 136244
14	125629X		DEFL SUPT ASS'Y
15	17051007		SCREW PAN HD
16	110452X		NUT PUSH M
17	72140505		BOLT
18	74760512		BOLT
19	122043X		"BRKT,REAR LIFT RH"
20	122044X		"BRKT,REAR LIFT LH"
	109820X		DECAL YT
	105814X		DECAL.LT
	123658X		DECAL WARNING
	123649X		DECAL WARNING

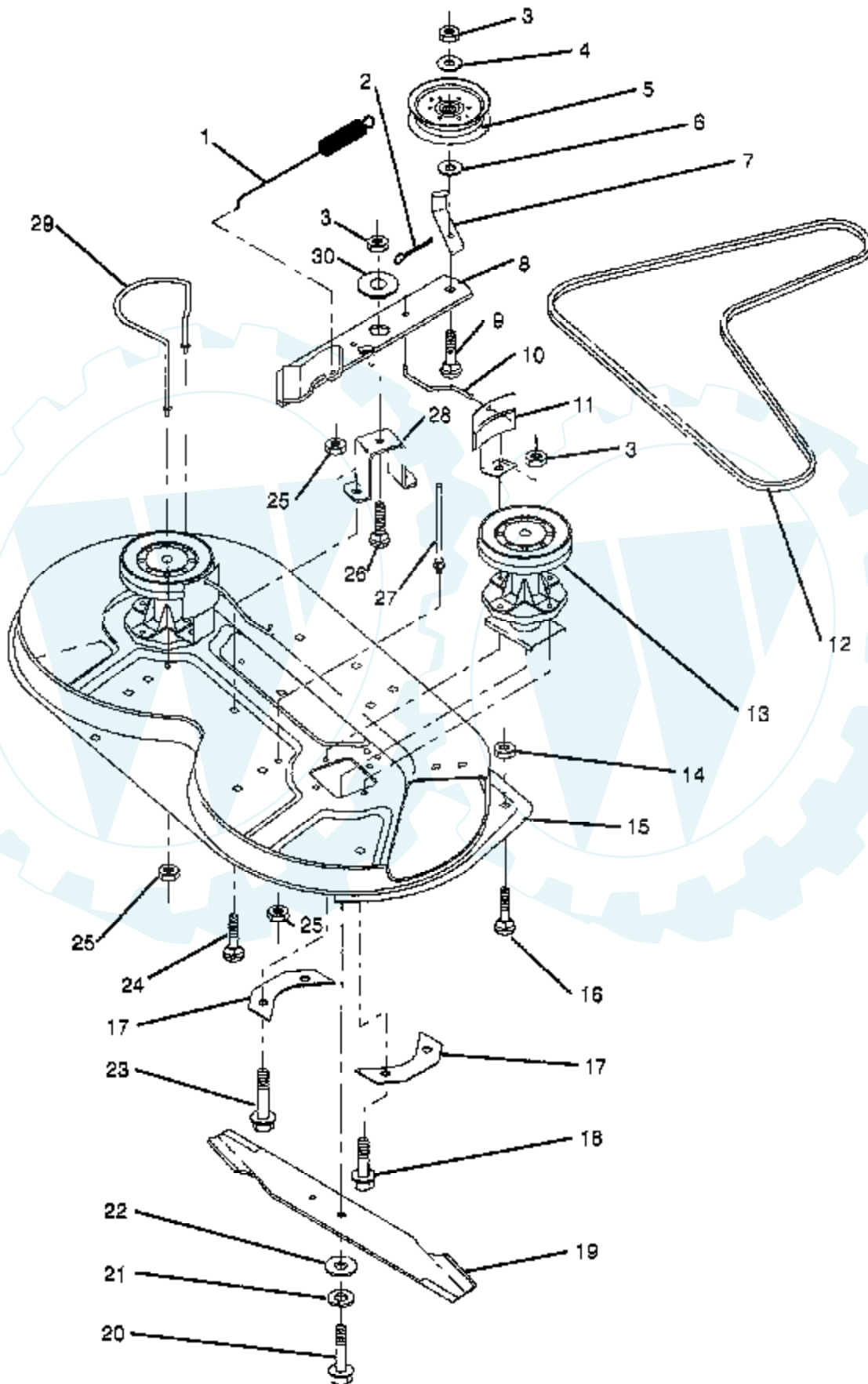


MOWER DECK



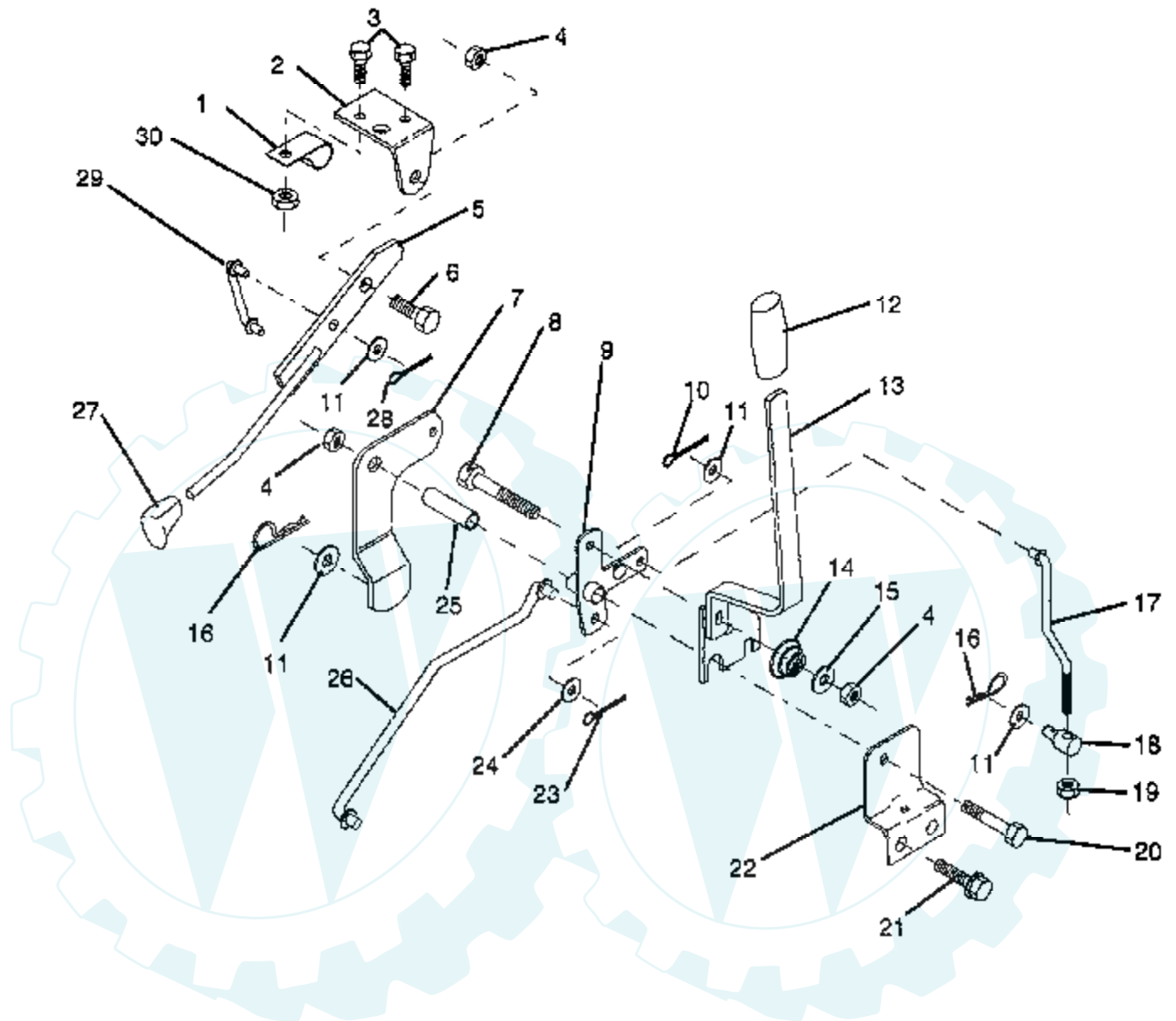
Ref #	Part Number	Qty	Description
1	122028X		SUB= 140064
2	76020312		SUB= 3145
3	73680600		SUB= 73690600
4	19131412		WASHER
5	121316X		PULLEY IDLER
6	19132203		WASHER GT
7	126756X		GUIDE.BELT
8	123702X		IDLER ARM ASSY
9	72110618		BOLT CARRIAGE
10	122049X		ROD BRAKE
11	106578X		BRAKE LT
12	124293X		BELT.MOWER.79.75
13	124208X		MANDREL ASSY
14	73680400		SUB= 73690400
15	126410X		SUB= 144727
16	72140404		BOLT
17	100668L		SUPPORT PLATE LT
18	17490614		SCREW
19	126338X		"BLADE.36" HIGH LIF"
20	74610624		BOLT.3/8-24X1-1/2
21	10030600		SUB= 10040600
22	19132012		WASHER
23	17490620		SCREW
24	72140505		BOLT
25	73680500		SUB= 73690500
26	72110608		BOLT D
27	123439X		"GUIDE,REAR BEL RH"
28	122051X		"SUPT,IDLER ARM"
29	123673X		GUIDE BELT LH
30	122052X		SPACER RETAINER

MOWER DECK



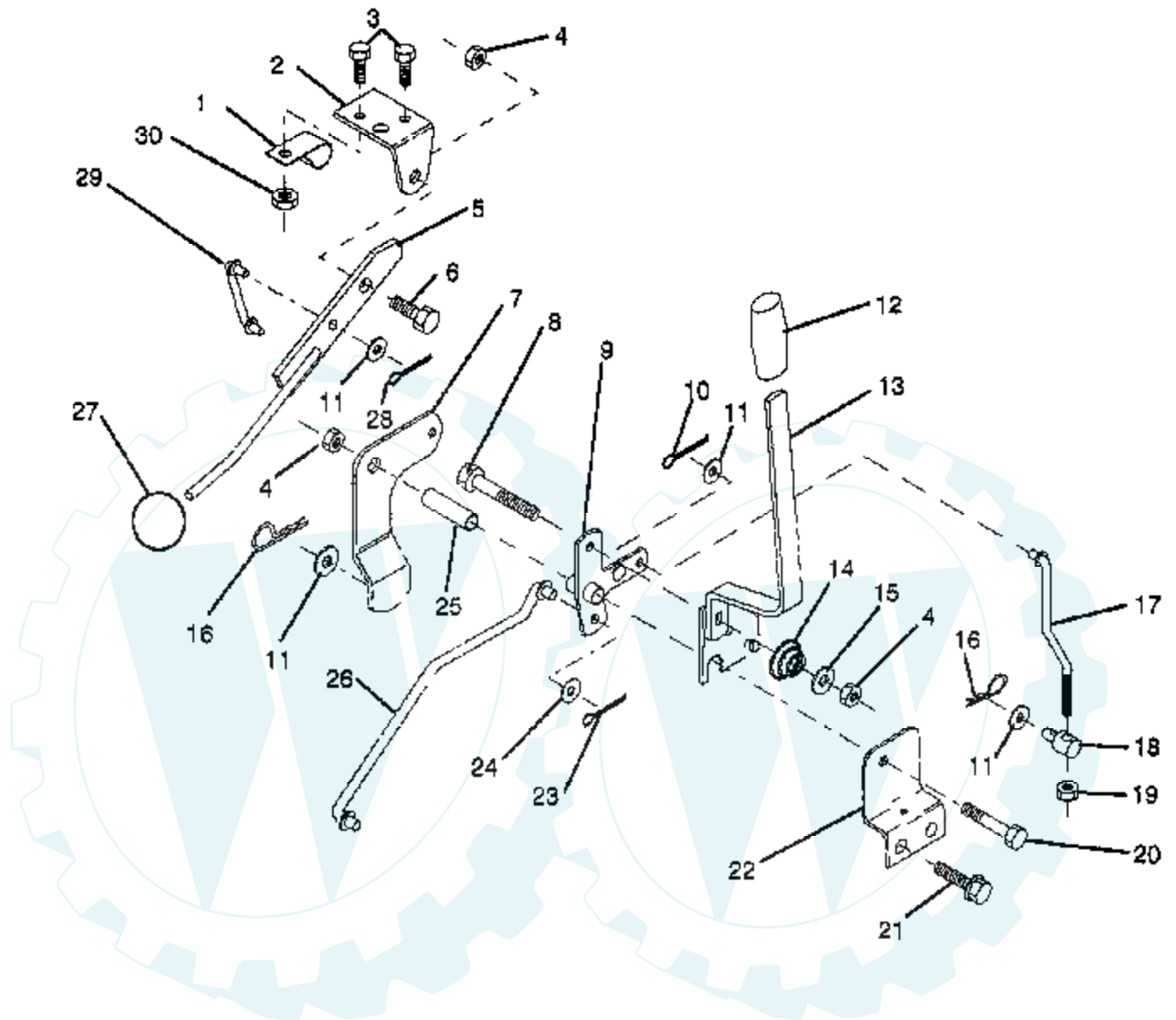
Ref #	Part Number	Qty	Description
1	122028X		SUB= 140064
2	76020312		SUB= 3145
3	73680600		SUB= 73690600
4	19131412		WASHER
5	121316X		PULLEY IDLER
6	19132203		WASHER GT
7	126756X		GUIDE.BELT
8	123702X		IDLER ARM ASSY
9	72110618		BOLT CARRIAGE
10	122049X		ROD BRAKE
11	106578X		BRAKE LT
12	124293X		BELT.MOWER.79.75
13	124208X		MANDREL ASSY
14	73680400		SUB= 73690400
15	121787X		SUB= 144727
16	72140404		BOLT
17	100668L		SUPPORT PLATE LT
18	17490614		SCREW
19	126338X		"BLADE.36" HIGH LIF"
20	74610624		BOLT.3/8-24X1-1/2
21	10030600		SUB= 10040600
22	19132012		WASHER
23	17490620		SCREW
24	72140505		BOLT
25	73680500		SUB= 73690500
26	72110608		BOLT D
27	123439X		"GUIDE,REAR BEL RH"
28	122051X		"SUPT,IDLER ARM"
29	123673X		GUIDE BELT LH
30	122052X		SPACER RETAINER

MOWER LIFT LEVER



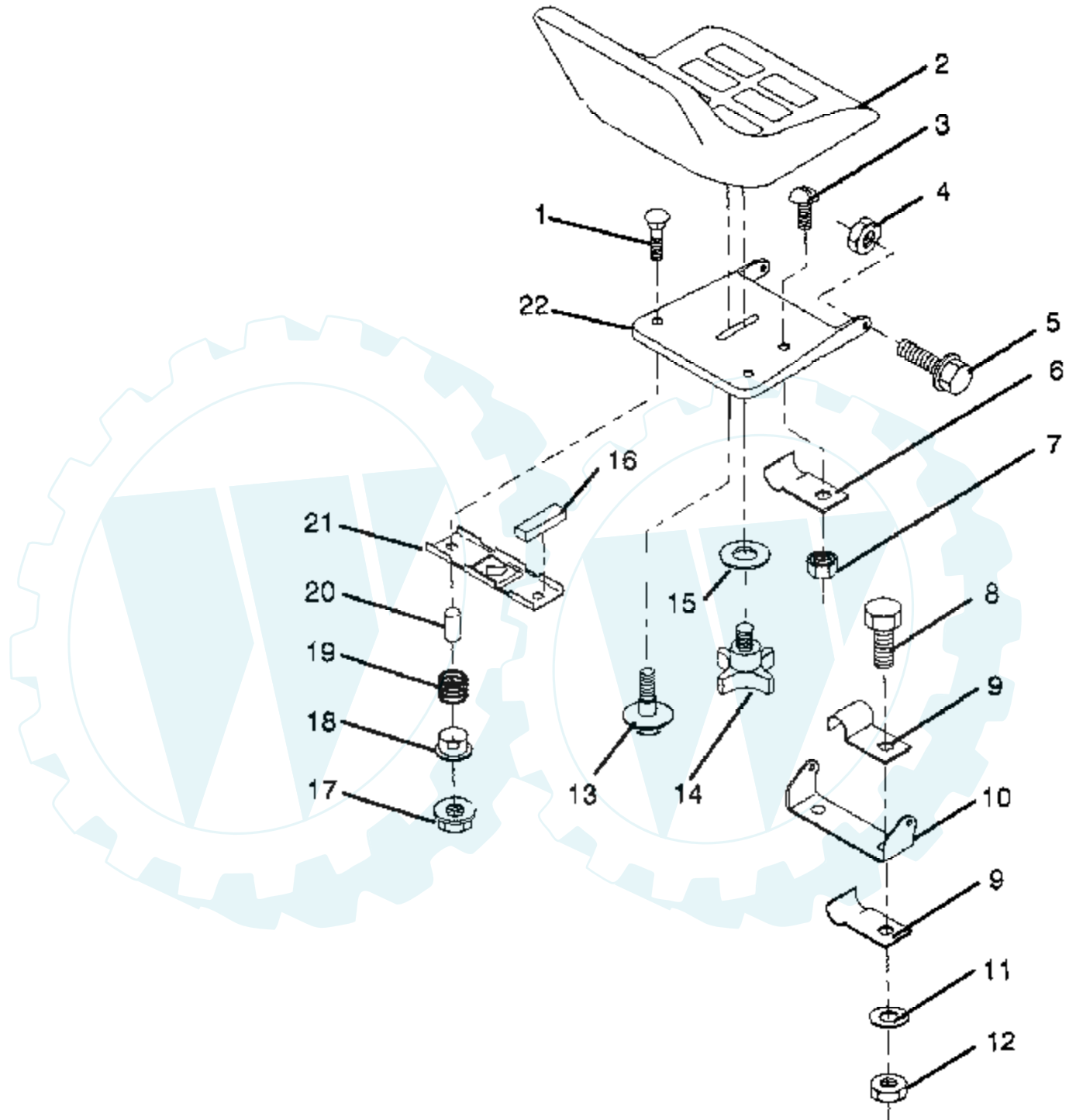
Ref #	Part Number	Qty	Description
1	126470X		"CLIP,INSULATOR"
2	122018X		BRKT CLUTCH
3	74780408		BOLT
4	73680600		SUB= 73690600
5	123417X		CLUTCH LEVER AS
6	106451X		"BOLT, SHOULDER LT"
7	123491X		CLUTCH ARM ASS'Y
8	74760636		BOLT
9	121930X		"BELLCRANK,LIFT"
10	76020412		COTTER PIN
11	19131316		WASHER
12	122027X		GRIP HANDLE
13	127028		"HDLE,LIFT T"
14	123496X		SPRING COMPRESSIO
15	19131212		WASHER T
16	4921H		SPRING.RETAINER
17	123654X		LINK FRT LIFT
18	7078J		SUB= 142028
19	73350600		NUT
20	74760644		BOLT
21	17490508		SCREW LT
22	121929X		"BRKT,MOWER HGT"
23	76020416		PIN COTTER 1/8
24	19171616		WASHER
25	121933X		TUBE SPACER
26	121934X		"ROD,MOWER LIFT "
27	121466X		KNOB
28	76020312		SUB= 3145
29	123671X		"LINK,MOWER LIFT"
30	73680400		SUB= 73690400

MOWER LIFT LEVER

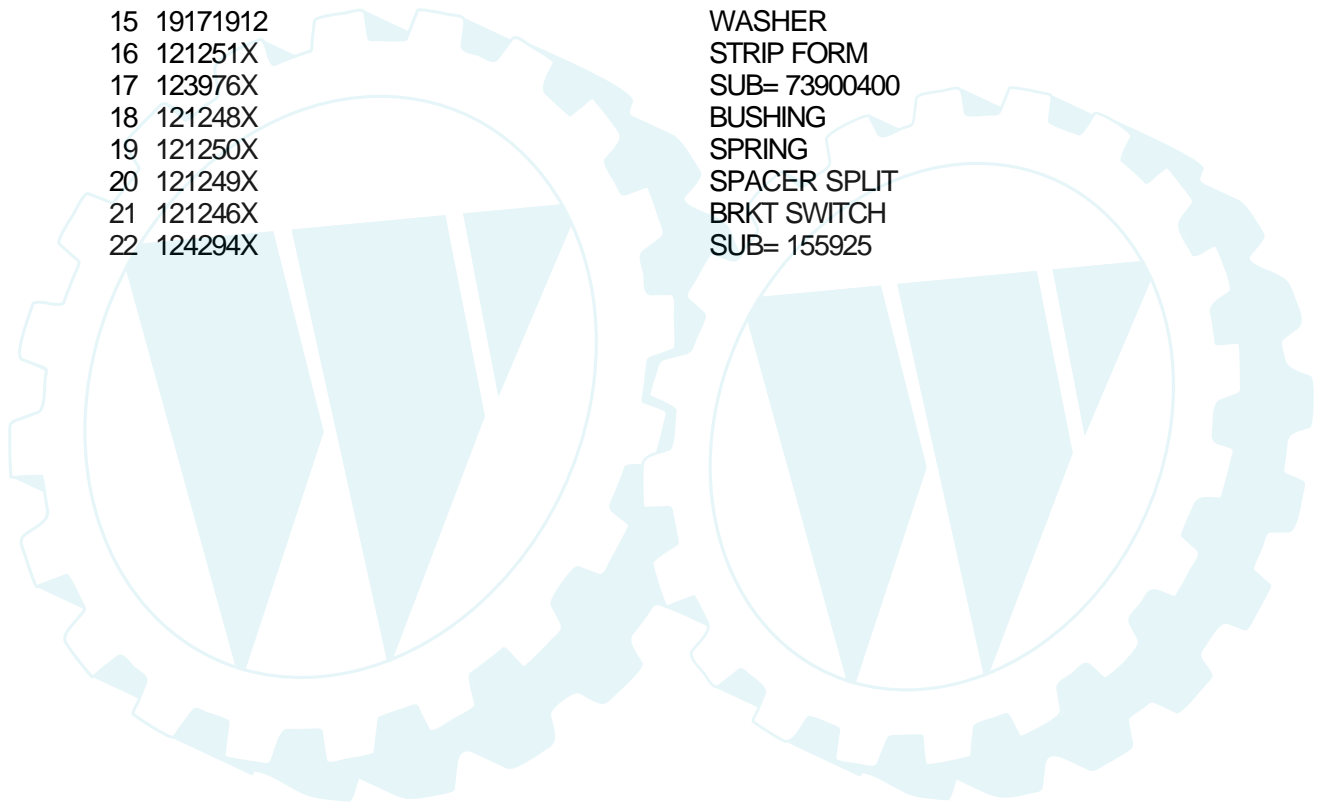


Ref #	Part Number	Qty	Description
1	126470X		"CLIP,INSULATOR"
2	122018X		BRKT CLUTCH
3	74780408		BOLT
4	73680600		SUB= 73690600
5	123417X		CLUTCH LEVER AS
6	106451X		"BOLT, SHOULDER LT"
7	123491X		CLUTCH ARM ASS'Y
8	74760636		BOLT
9	121930X		"BELLCRANK,LIFT"
10	76020412		COTTER PIN
11	19131316		WASHER
12	122027X		GRIP HANDLE
13	127028		"HDLE,LIFT T"
14	123496X		SPRING COMPRESSIO
15	19131212		WASHER T
16	4921H		SPRING.RETAINER
17	123654X		LINK FRT LIFT
18	7078J		SUB= 142028
19	73350600		NUT
20	74760644		BOLT
21	17490508		SCREW LT
22	121929X		"BRKT,MOWER HGT"
23	76020416		PIN COTTER 1/8
24	19171616		WASHER
25	121933X		TUBE SPACER
26	121934X		"ROD,MOWER LIFT "
27	106932X		KNOB T(3/8 HOLE)
28	76020312		SUB= 3145
29	123671X		"LINK,MOWER LIFT"
30	73680400		SUB= 73690400

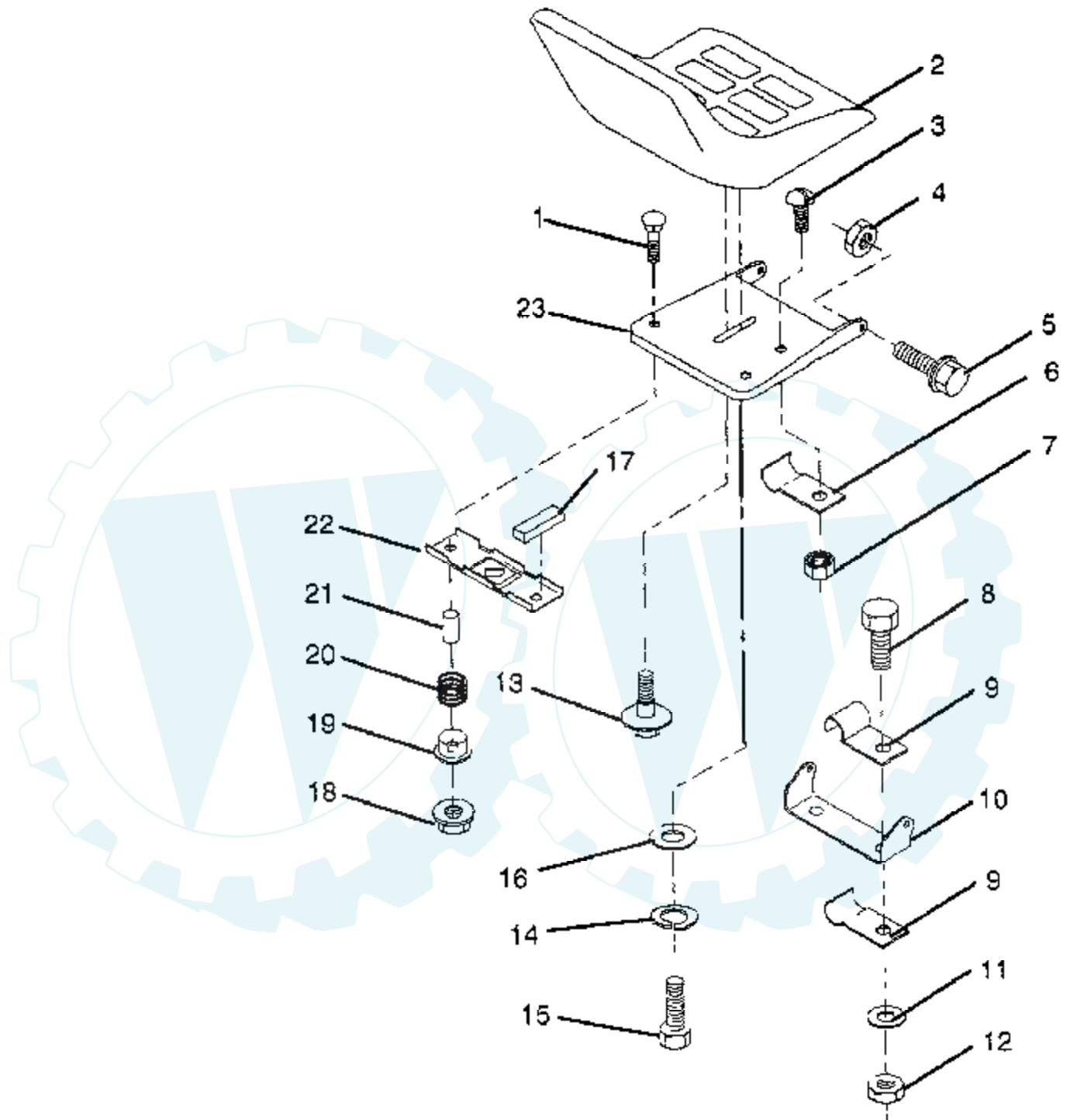
SEAT



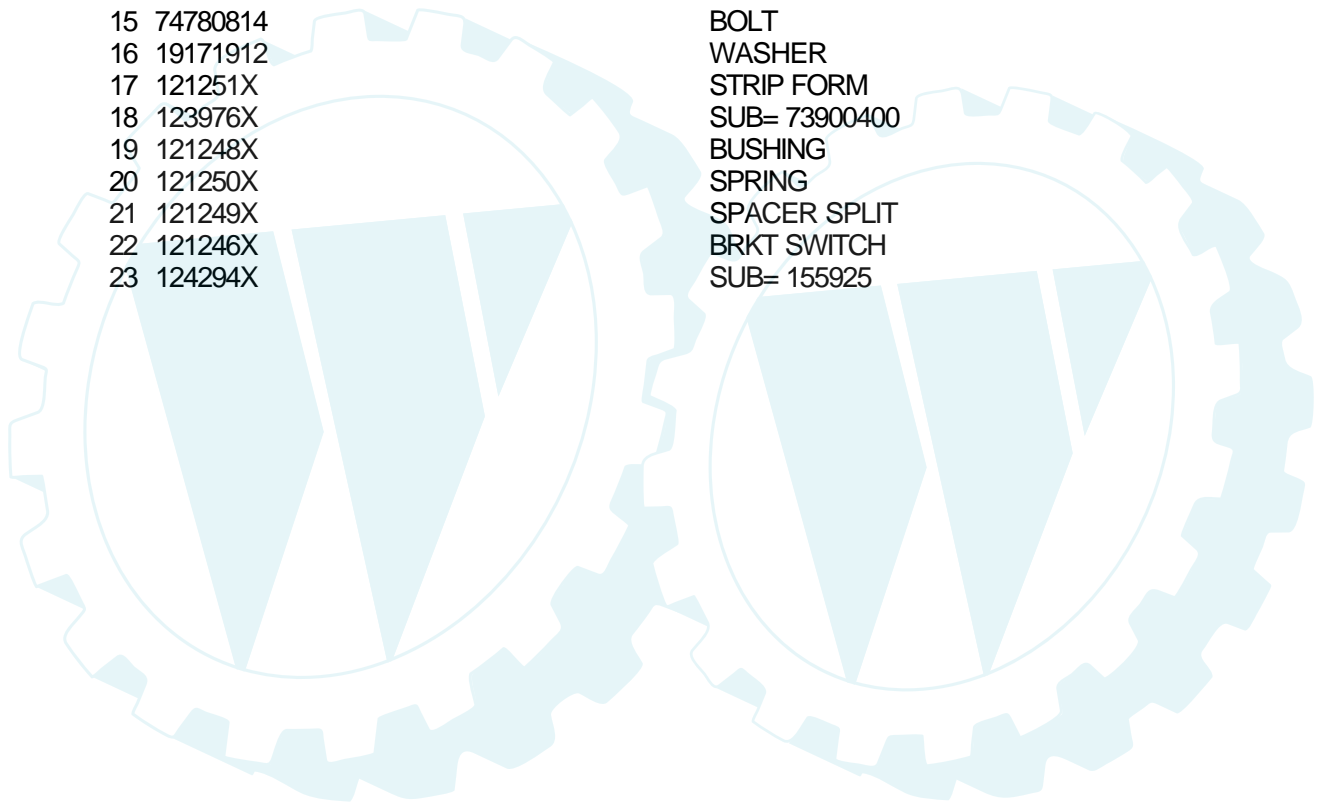
Ref #	Part Number	Qty	Description
1	72170410		BOLT
2	127423X		SUB= 140119
3	74641008		SUB= 71031008
4	73680500		SUB= 73690500
5	105529X		SUB= 139888
6	4171R		CLIP T
7	73951000		"NUT,KEPS"
8	74760612		SUB= 74780612
9	126471X		"CLIP,INSULATOR"
10	126656X		SUB= 140551
11	19131210		WASHER
12	73680600		SUB= 73690600
13	127018X		"BOLT,SHOULDER"
14	120068X		"KNOB 1/2"" YT"
15	19171912		WASHER
16	121251X		STRIP FORM
17	123976X		SUB= 73900400
18	121248X		BUSHING
19	121250X		SPRING
20	121249X		SPACER SPLIT
21	121246X		BRKT SWITCH
22	124294X		SUB= 155925



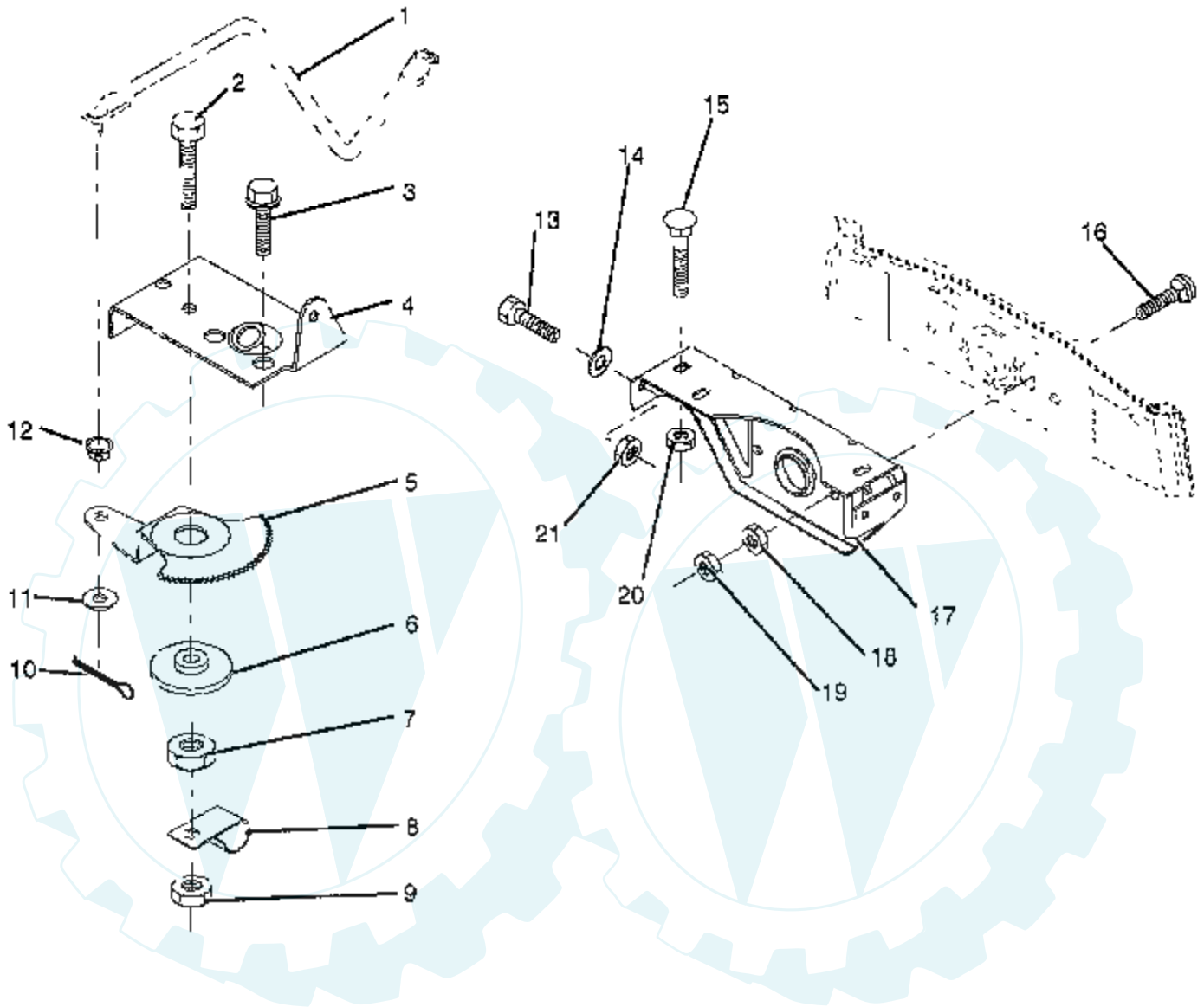
SEAT



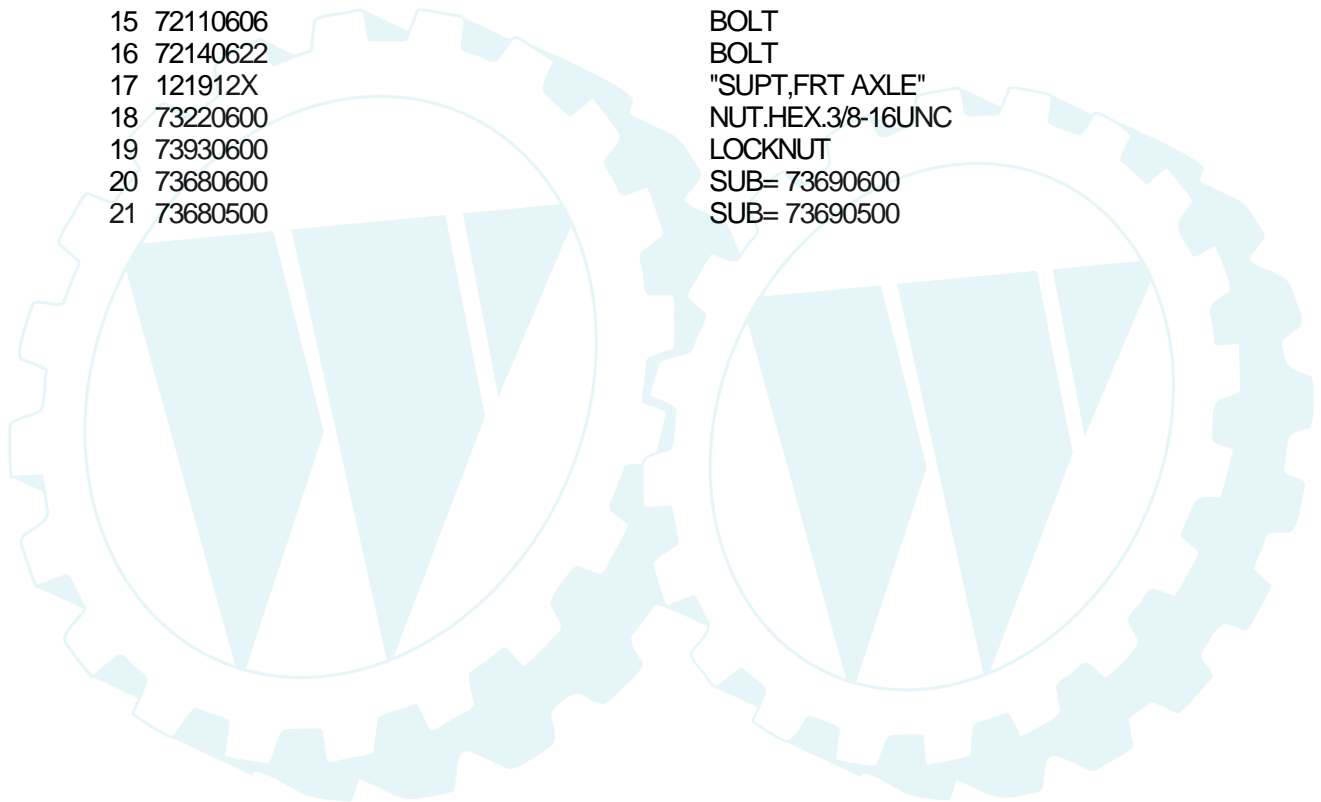
Ref #	Part Number	Qty	Description
1	72170410		BOLT
2	127422X		SUB= 140119
3	74641008		SUB= 71031008
4	73680500		SUB= 73690500
5	105529X		SUB= 139888
6	4171R		CLIP T
7	73951000		"NUT,KEPS"
8	74760612		SUB= 74780612
9	126471X		"CLIP,INSULATOR"
10	126656X		SUB= 140551
11	19131210		WASHER
12	73680600		SUB= 73690600
13	127018X		"BOLT,SHOULDER"
14	10040800		LOCKWASHER
15	74780814		BOLT
16	19171912		WASHER
17	121251X		STRIP FORM
18	123976X		SUB= 73900400
19	121248X		BUSHING
20	121250X		SPRING
21	121249X		SPACER SPLIT
22	121246X		BRKT SWITCH
23	124294X		SUB= 155925



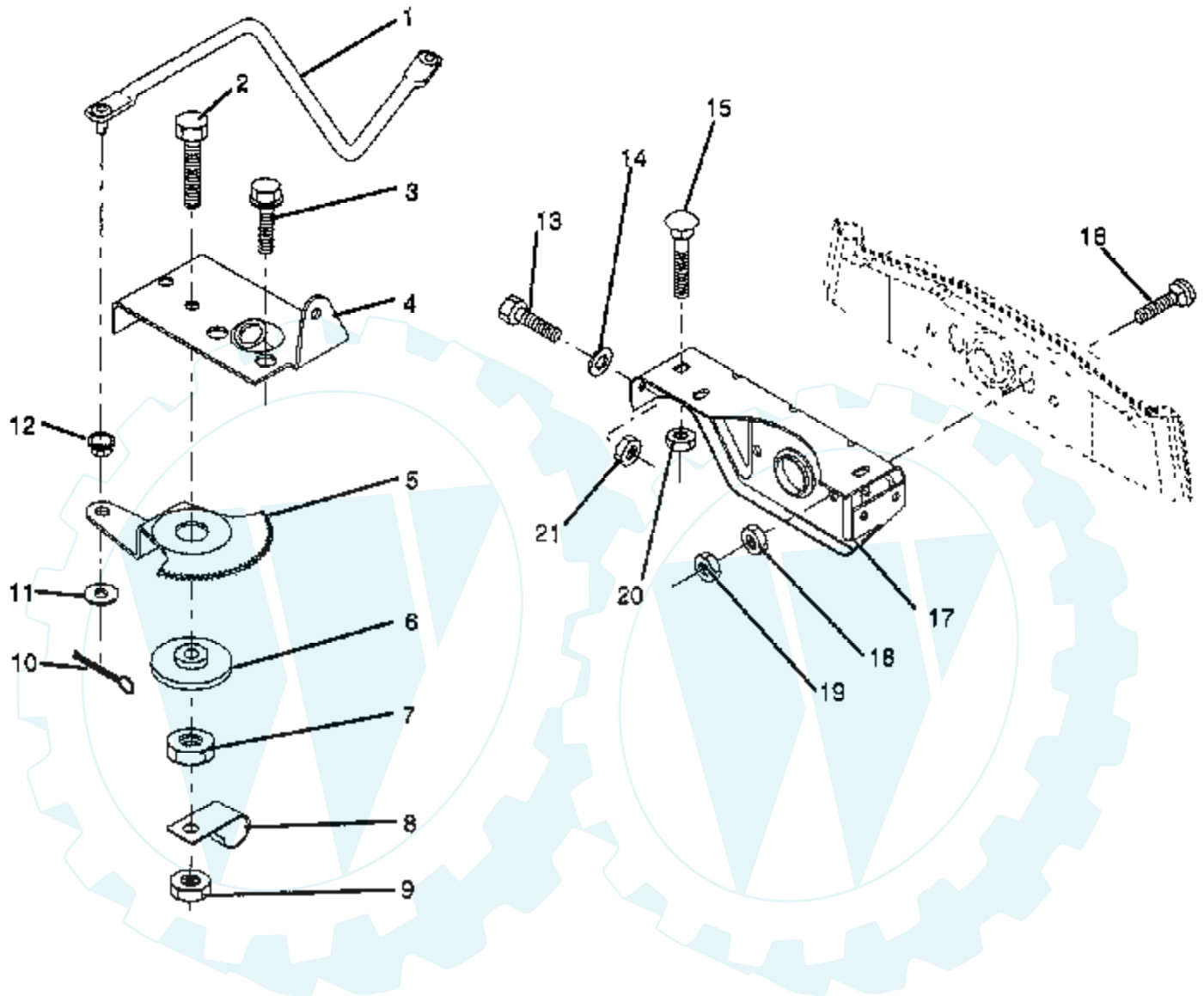
SECTOR GEAR / AXLE SUPPORT



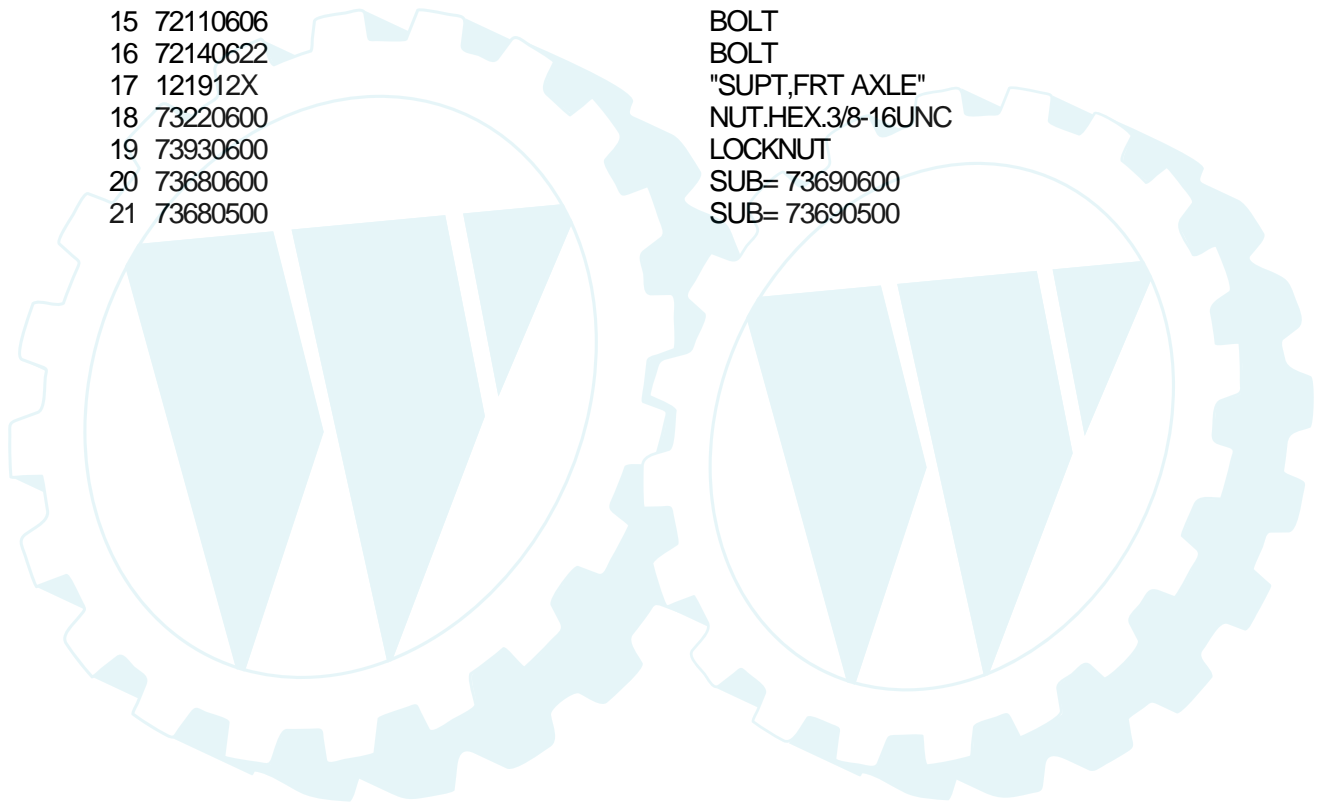
Ref #	Part Number	Qty	Description
1	124093X		SUB= 132566
2	74780828		"BOLT,HEX"
3	17490508		SCREW LT
4	121925X		"PLATE,STR SUPT"
5	121926X		GEAR SECTOR
6	121927X		BUSHING
7	73030800		NUT
8	126472X		CLIP INSULATOR
9	73680800		NUT LTV
10	76020412		COTTER PIN
11	19131316		WASHER
12	126847X		BUSHING.DRAGLINK
13	74760512		BOLT
14	19111416		WASHER
15	72110606		BOLT
16	72140622		BOLT
17	121912X		"SUPT,FRT AXLE"
18	73220600		NUT.HEX.3/8-16UNC
19	73930600		LOCKNUT
20	73680600		SUB= 73690600
21	73680500		SUB= 73690500



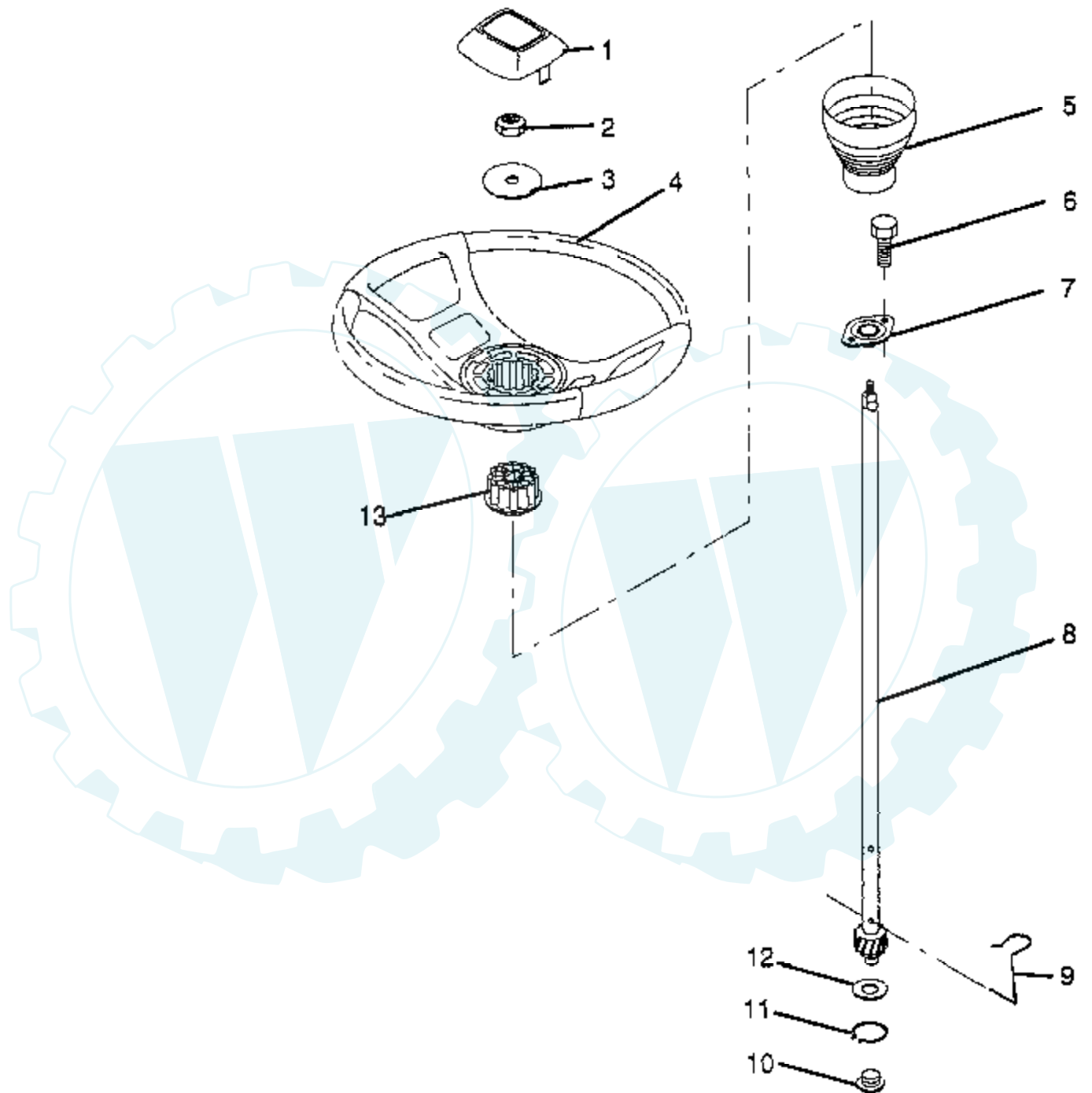
SECTOR GEAR / AXLE SUPPORT



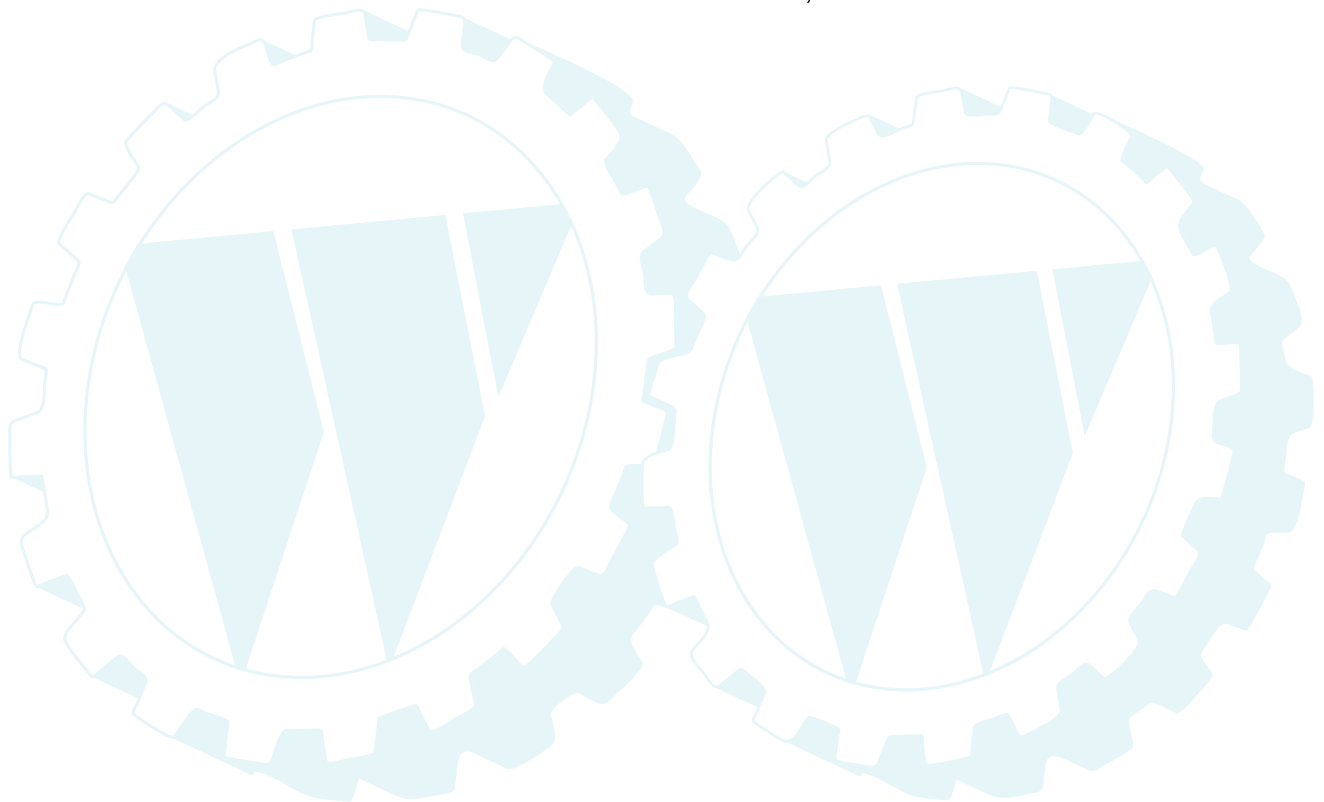
Ref #	Part Number	Qty	Description
1	124093X		SUB= 132566
2	74780828		"BOLT,HEX"
3	17490508		SCREW LT
4	121925X		"PLATE,STR SUPT"
5	121926X		GEAR SECTOR
6	121927X		BUSHING
7	73030800		NUT
8	126472X		CLIP INSULATOR
9	73680800		NUT LTV
10	76020412		COTTER PIN
11	19131316		WASHER
12	126847X		BUSHING.DRAGLINK
13	74760512		BOLT
14	19111416		WASHER
15	72110606		BOLT
16	72140622		BOLT
17	121912X		"SUPT,FRT AXLE"
18	73220600		NUT.HEX.3/8-16UNC
19	73930600		LOCKNUT
20	73680600		SUB= 73690600
21	73680500		SUB= 73690500



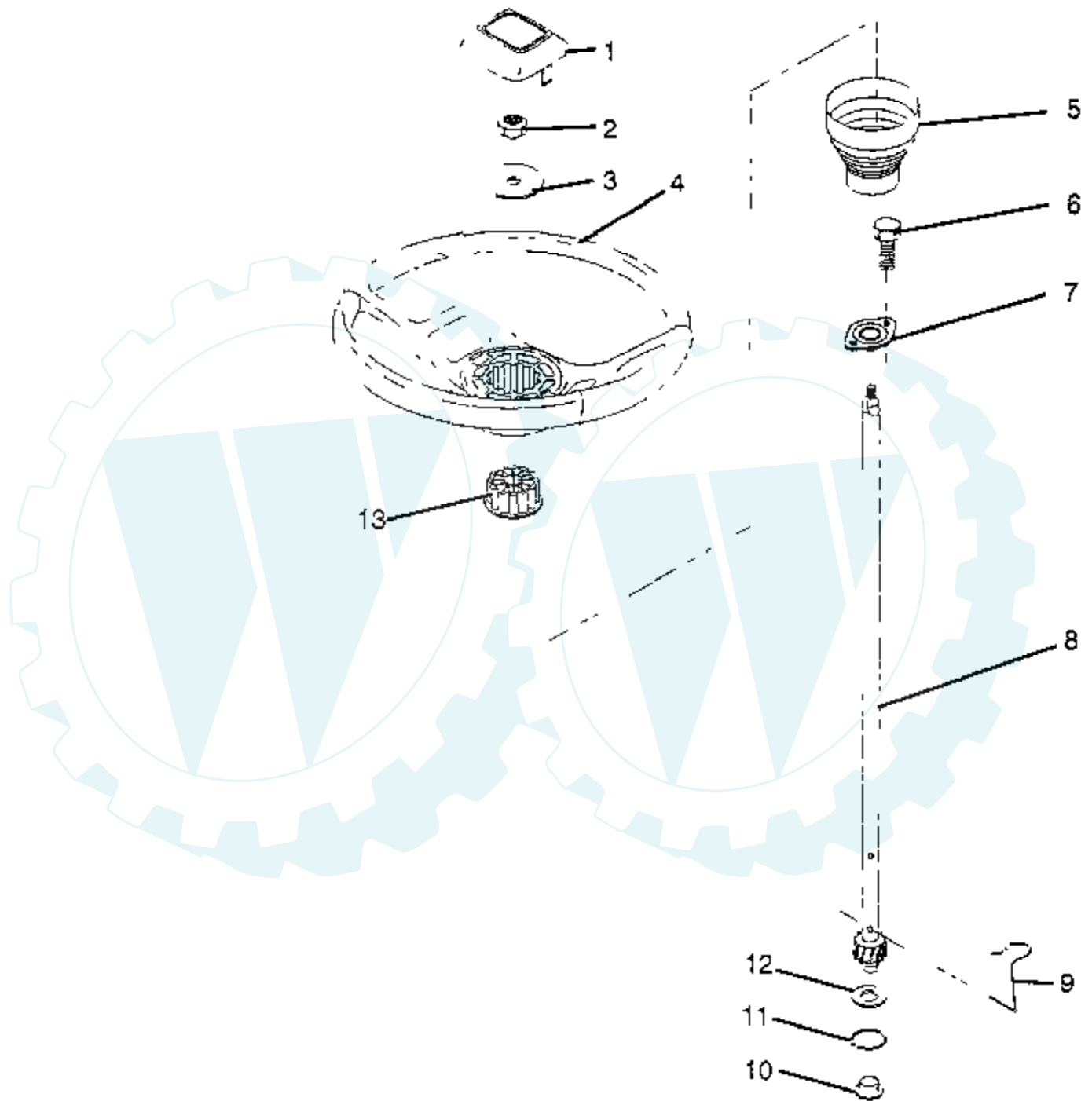
STEERING WHEEL



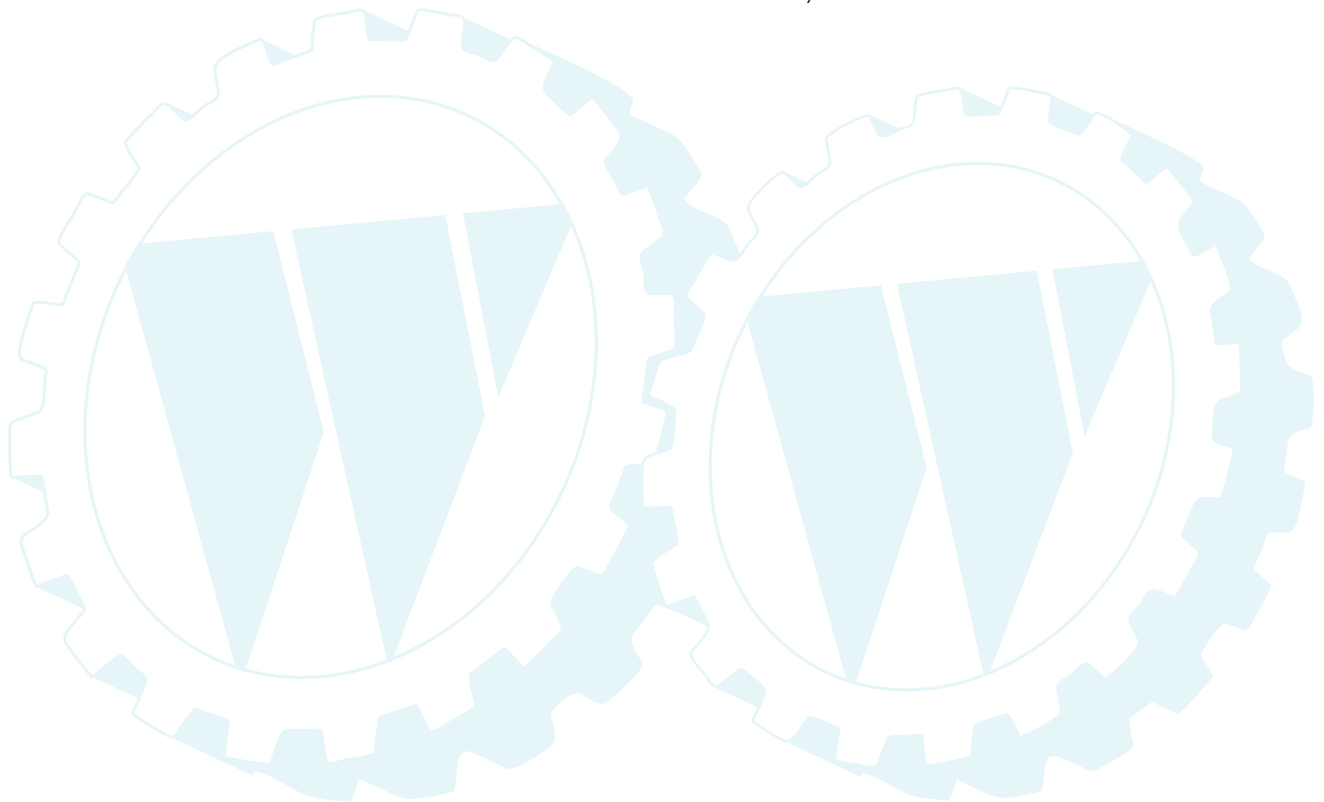
Ref #	Part Number	Qty	Description
1	100710L		INSERT-WHEEL LT
2	7810H		GRIPCO NUT
3	19133808		WASHER T
4	100713N		SUB= 150547
5	121897X		SLEEVE STEERING
6	17431008		SUB= 98000165
7	102803X		SUB= 918102803X
8	123651X		SUB= 148966
9	124210X		STEERING CLIP
10	123438X		BUSHING STEER LWR
11	12000045		RING
12	19211616		WASHER LT
13	104820X		ADAPTER-WHEEL LT
	128008		"DECAL,STR WHL "



STEERING WHEEL

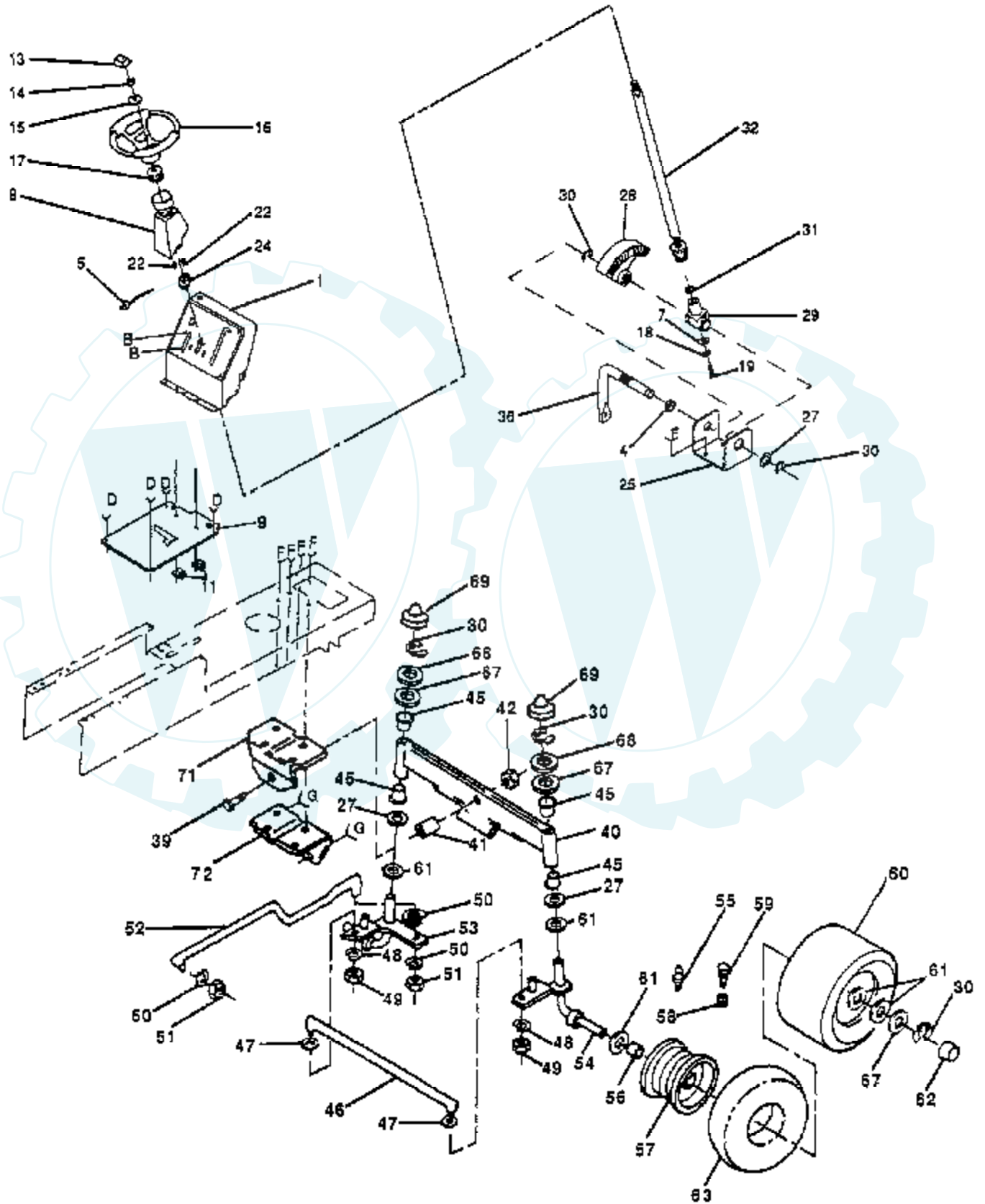


Ref #	Part Number	Qty	Description
1	100710L		INSERT-WHEEL LT
2	7810H		GRIPCO NUT
3	19133808		WASHER T
4	100713N		SUB= 150547
5	121897X		SLEEVE STEERING
6	17431008		SUB= 98000165
7	102803X		SUB= 918102803X
8	123651X		SUB= 148966
9	124210X		STEERING CLIP
10	123438X		BUSHING STEER LWR
11	12000045		RING
12	19211616		WASHER LT
13	104820X		ADAPTER-WHEEL LT
	128008		"DECAL,STR WHL "



LAWN TRACTOR - MODEL NUMBER X12D38A

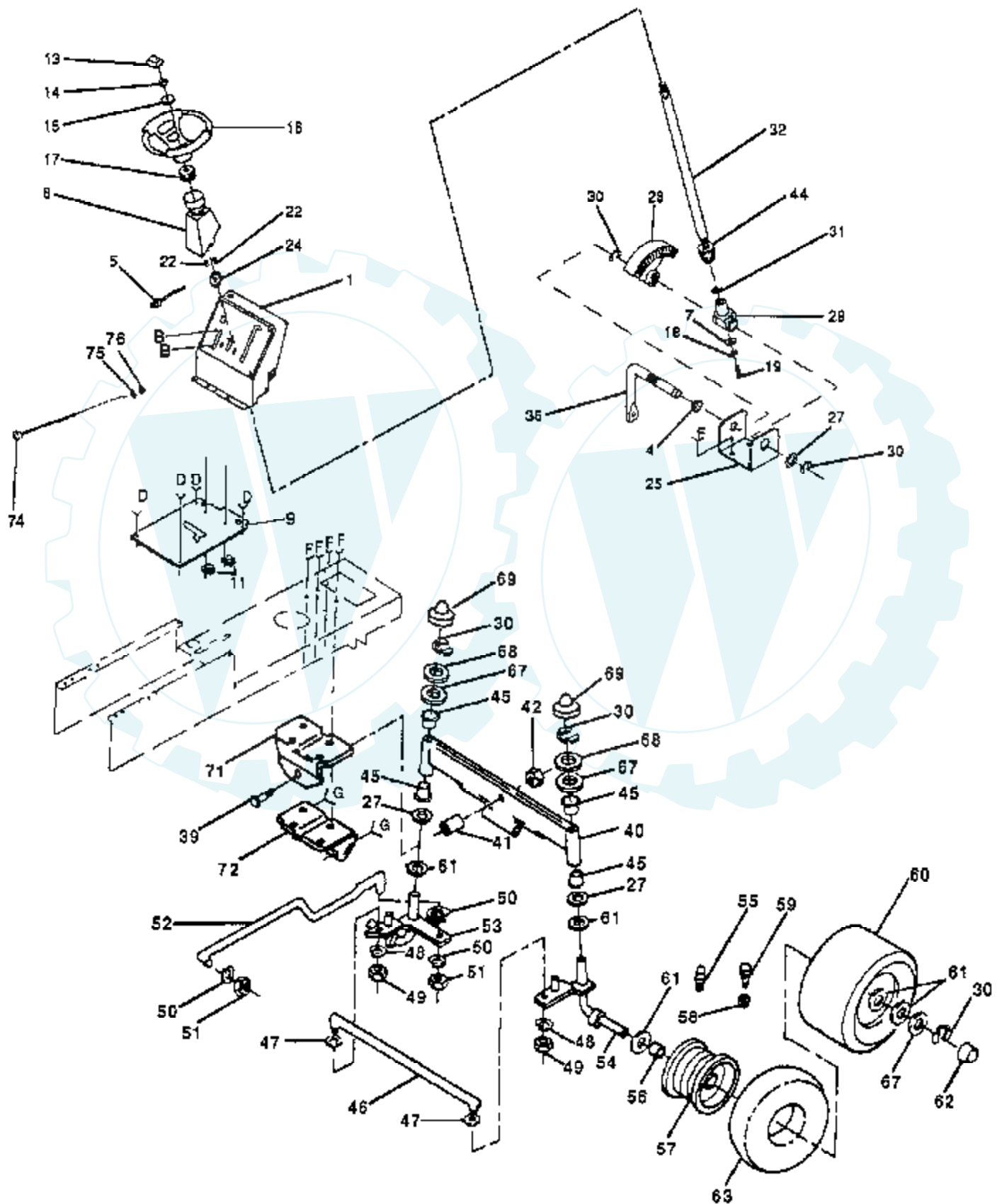
STEERING AND FRONT AXLE



Ref #	Part Number	Qty	Description
1	124650X012		DASH
4	109816X		NYLINER T
5	121733X		SUB= 132768
7	126684X		SUB= 532126684
8	124417X		BOOT STR SHAFT
9	124464X013		SADDLE
11	2751R		CLIP T
13	100710L		INSERT-WHEEL LT
14	73940800		SUB= 73360800
15	100712K		WASHER
16	100713N		SUB= 150547
17	100711L		ADAPTER LT
18	10040400		LOCKWASHER
19	71070410		"SCREW,SPECIAL"
22	17431008		SUB= 98000165
24	124373X		"BUSHING,STEERING"
25	124036X		"BRKT,STEERING"
27	6266H		WASHER .T
28	124034X		SUB= 136874
29	124035X		SUPPORT.SHAFT
30	12000029		RING
31	57079		THRUST WASHER
32	124038X		SUB= 128752
36	124033X		SUB= 156365
39	74761060		BOLT LT
40	105669X		SUB= 108075X
41	110438X		BEARING
42	73901000		"NUT-LOC,FLANGE LT"
45	3366R		COL. SRTG. BEAR.
46	121334X		ROD TIE
47	19111216		WASHER M
48	10040500		LOCKWASHER
49	73810500		NUT.LOCK.5/16-24
50	10040600		LOCKWASHER
51	73610600		SUB= 7810H
52	124032X		SUB= 532130468
53	105656X		SPINDLE-LH LT
54	105654X		SUB= 130524
55	278H		FITTING LT
56	9040H		"FLANGE, BEARING"
57	106732X475		"RIM,FRT 6""
58	59192		VALVE CAP
59	65139		VALVE STEM LT
60	128870		SUB= 122073X
61	121749X		WASHER
62	104757X		HUB CAP
63	59904		TUBE.5.3/4.5/6
67	121748X		WASHER
68	19272016		WASHER
69	121232X		CAP
71	105663X		SUPPORT-SADDL T
72	105664X		SUPPORT.SADDLE.FT
	128008X		SUB= 128008
	109821X		SUB= 138956

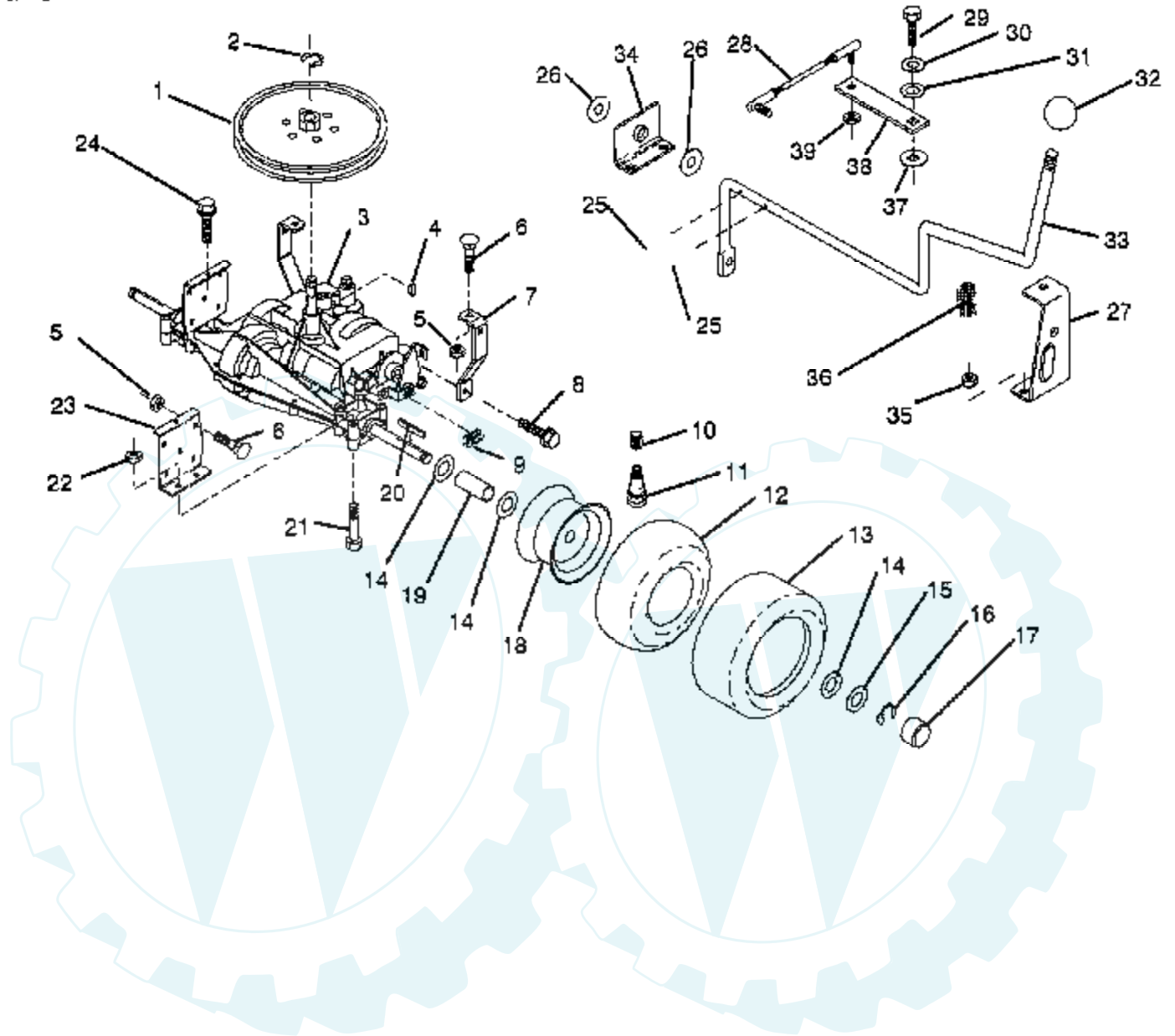
LAWN TRACTOR - MODEL NUMBER X14V38A

STEERING AND FRONT AXLE



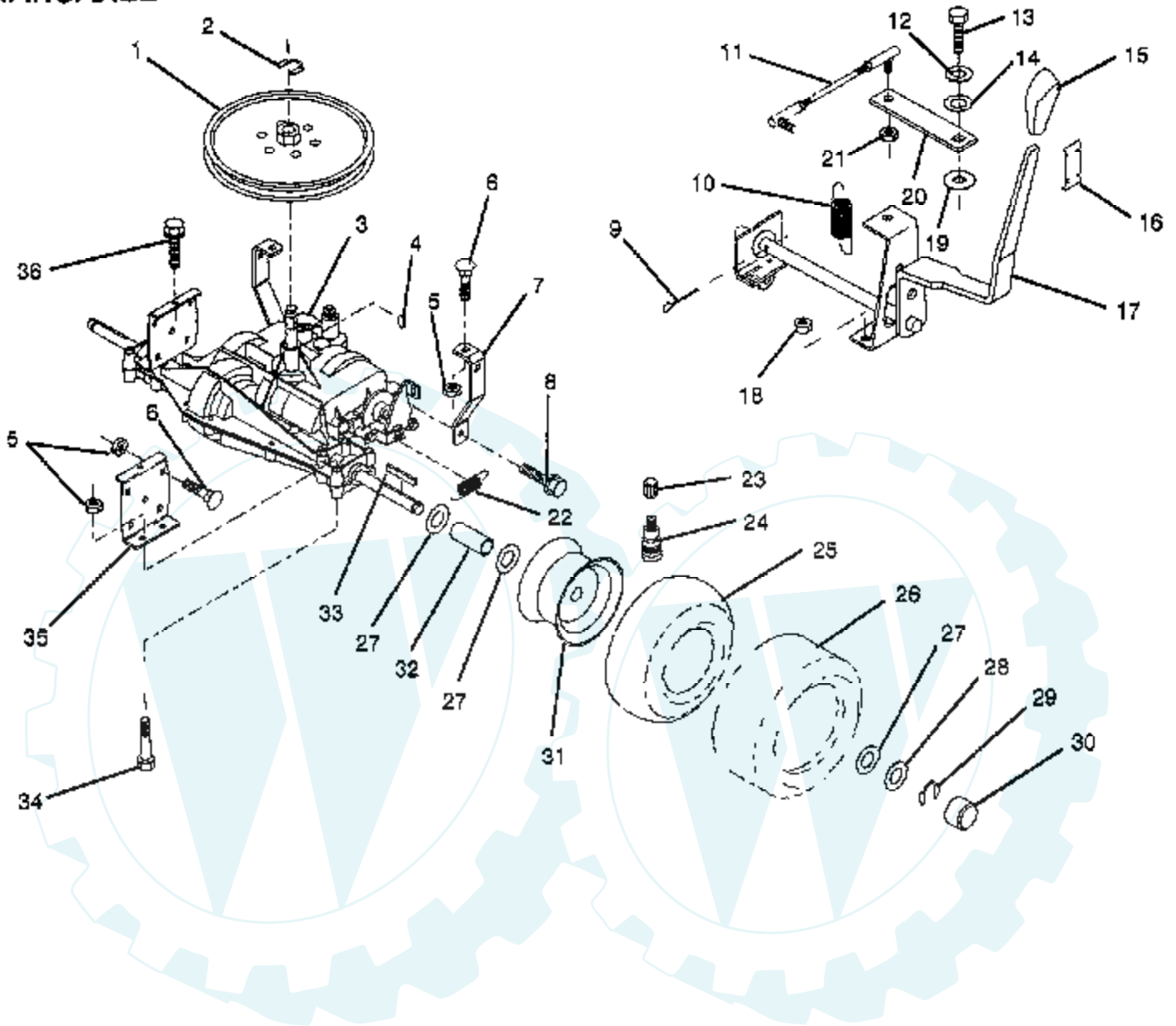
Ref #	Part Number	Qty	Description
1	126411X012		DASH
4	109816X		NYLINER T
5	129579		SUB= 132756
7	126684X		SUB= 532126684
8	124417X		BOOT STR SHAFT
9	124464X013		SADDLE
11	2751R		CLIP T
13	100710L		INSERT-WHEEL LT
14	73940800		SUB= 73360800
15	100712K		WASHER
16	100713N		SUB= 150547
17	100711L		ADAPTER LT
18	10040400		LOCKWASHER
19	71070410		"SCREW,SPECIAL"
22	17431008		SUB= 98000165
24	124373X		"BUSHING,STEERING"
25	124036X		"BRKT,STEERING"
27	6266H		WASHER .T
28	124034X		SUB= 136874
29	124035X		SUPPORT.SHAFT
30	12000029		RING
31	57079		THRUST WASHER
32	124038X		SUB= 128752
36	124033X		SUB= 156365
39	74761060		BOLT LT
40	108075X		FRONT AXLE
41	110438X		BEARING
42	73901000		"NUT-LOC,FLANGE LT"
44	124037X		"GEAR,PINION"
45	3366R		COL. SRTG. BEAR.
46	121334X		ROD TIE
47	19111216		WASHER M
48	10040500		LOCKWASHER
49	73810500		NUT.LOCK.5/16-24
50	10040600		LOCKWASHER
51	73610600		SUB= 7810H
52	124032X		SUB= 532130468
53	105656X		SPINDLE-LH LT
54	105654X		SUB= 130524
55	278H		FITTING LT
56	9040H		"FLANGE, BEARING"
57	106732X475		"RIM,FRT 6""
58	59192		VALVE CAP
59	65139		VALVE STEM LT
60	124157X		SUB= 122073X
61	121749X		WASHER
62	104757X		HUB CAP
63	59904		TUBE.5.3/4.5/6
67	121748X		WASHER
68	19272016		WASHER
69	121232X		CAP
71	105663X		SUPPORT-SADDL T
72	105664X		SUPPORT.SADDLE.FT
74	121389X		SUB= 532132780
75	11050600		LOCKWASHER
76	73610600		SUB= 7810H
	128008		"DECAL STR WHL. "
	109821X		SUB= 138956

TRANSAXLE



Ref #	Part Number	Qty	Description
1	123385X		PULLEY
2	12000028		SUB= 2267J
3	123383X		SUB= 142594
4	2228M		SUB= 2228M1
5	73680500		SUB= 73690500
6	72140506		BOLT
7	123378X		"STRAP,TORQUE"
8	17490508		SCREW LT
9	110422X		SUB= 146682
10	59192		VALVE CAP
11	65139		VALVE STEM LT
12	8134H		TUBE.16X6.5/7.5-8
13	124143X		SUB= 122075X
14	121749X		WASHER
15	121748X		WASHER
16	12000001		E-RING LT
17	104757X		HUB CAP
18	123412X475		RIM
19	123409X		SPACER
20	123583X		SQUARE KEY
21	74760644		BOLT
22	73680600		SUB= 73690600
23	123377X		"BRKT,TRANSAXLE"
24	17490512		SCREW
25	76020416		PIN COTTER 1/8
26	19171616		WASHER
27	124601X		SUB= 128084
28	126293X		LINK SHIFT
29	71040412		SUB= 74550412
30	10040400		LOCKWASHER
31	19091210		WASHER LT
32	106933X		KNOB T (1/2-HOLE)
33	124599X		SUB= 128215
34	124600X		"SUPT,HDLE SHT LH"
35	73510500		NUT
36	123393X		EXT SPRING
37	105701X		WASH-SHFT PLT LT
38	123484X		ARM SHIFT
39	73810500		NUT.LOCK.5/16-24

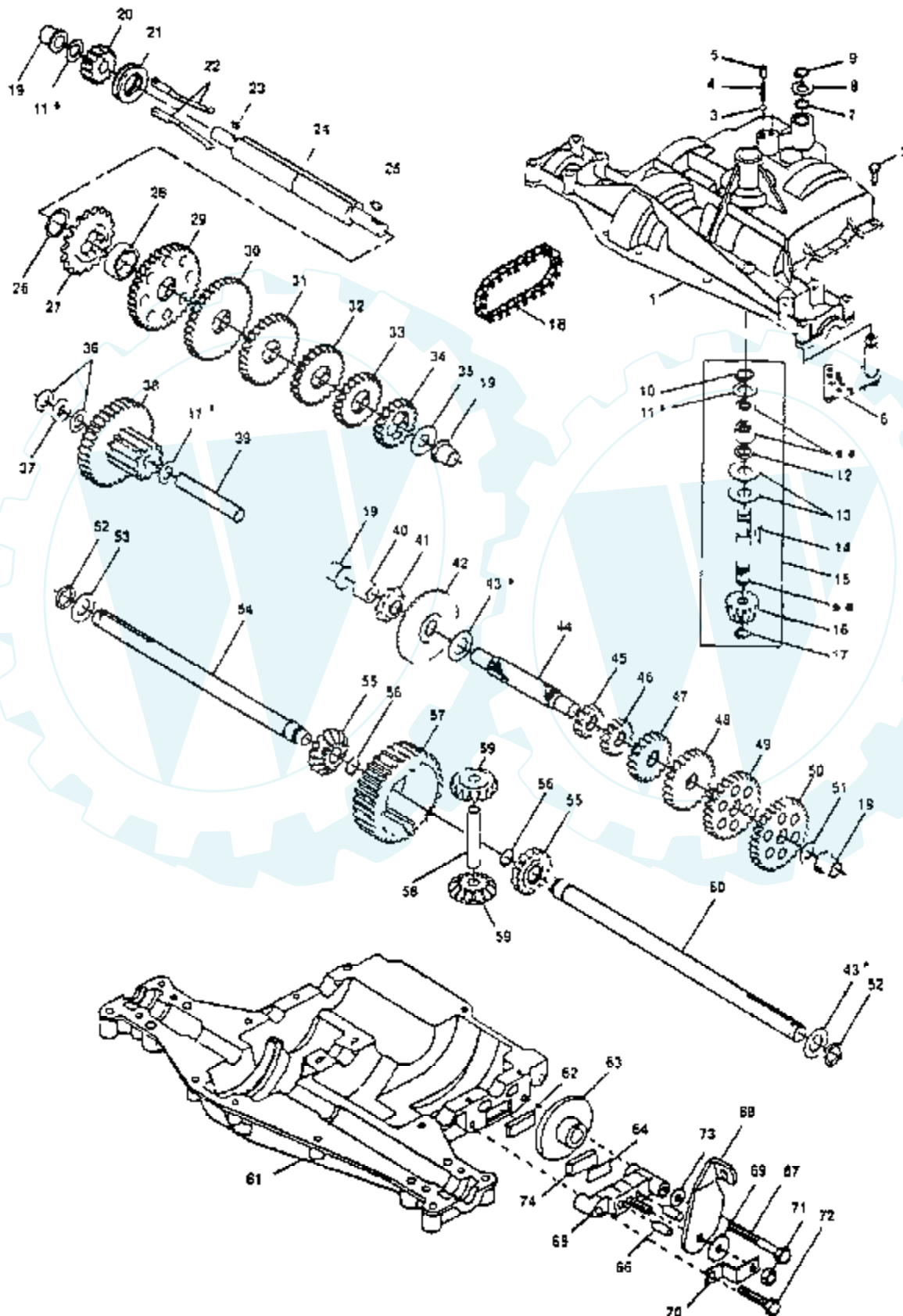
TRANSAXLE



Ref #	Part Number	Qty	Description
1	123385X		PULLEY
2	12000028		SUB= 2267J
3	123483X		SUB= 160851
4	2228M		SUB= 2228M1
5	73680500		SUB= 73690500
6	72140506		BOLT
7	123378X		"STRAP,TORQUE"
8	17490508		SCREW LT
9	76020416		PIN COTTER 1/8
10	123393X		EXT SPRING
11	123632X		"LINK,SHIFT"
12	10040400		LOCKWASHER
13	71040412		SUB= 74550412
14	19091210		WASHER LT
15	122011X		"KNOB,SHT CONTROL"
16	123692X		KNOB RETAINER
17	125976X		SHIFT HANDLE ASSY
18	73510500		NUT
19	105701X		WASH-SHFT PLT LT
20	123484X		ARM SHIFT
21	73810500		NUT.LOCK.5/16-24
22	110422X		SUB= 146682
23	59192		VALVE CAP
24	65139		VALVE STEM LT
25	8134H		TUBE.16X6.5/7.5-8
26	123411X		TIRE.16X7.5-8
27	121749X		WASHER
28	121748X		WASHER
29	12000001		E-RING LT
30	104757X		HUB CAP
31	123412X475		RIM
32	123409X		SPACER
33	123583X		SQUARE KEY
34	74760540		BOLT
35	123377X		"BRKT,TRANSAXLE"
36	17490512		SCREW

LAWN TRACTOR - MODEL NUMBER X12D38A TRANSAXLE FOOT- MODEL NUMBER 4360-7

TRANSAXLE

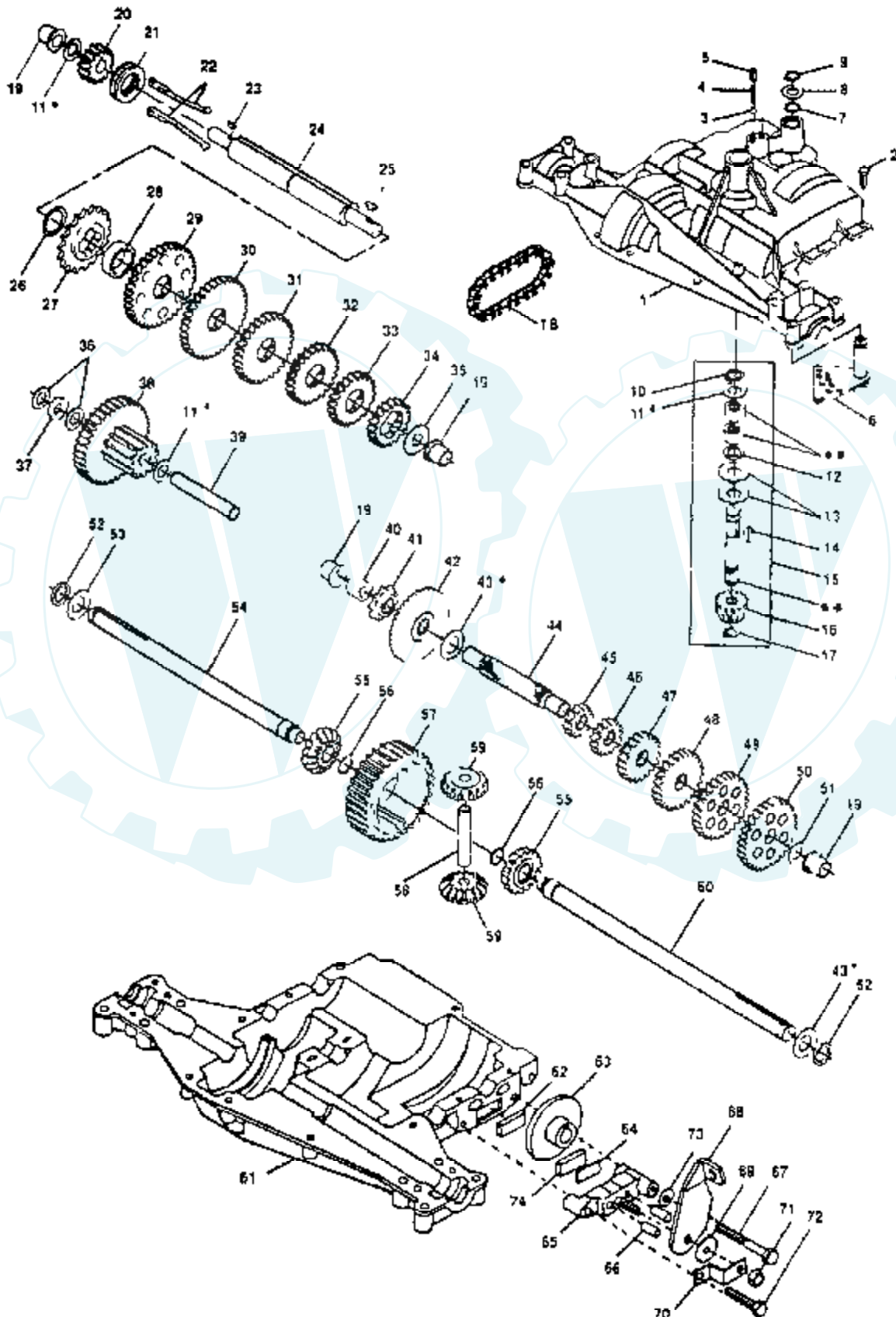


Ref #	Part Number	Qty	Description
1	3865		HOUSING UPPER
2	1919		SCREW
3	1151		BALL DETENT
4	3626		SPRING, DETENT
5	3623		SCREW, SET
6	4336		ASSY SHIFTER
7	3884		O-RING
8	3885		WASHER PLAIN
8	3886		WASHER PLAIN
8	3887		WASHER PLAIN
8	3888		WASHER PLAIN
8	3889		WASHER PLAIN
8	3121		WASHER PLAIN
8	3890		WASHER PLAIN
9	1100		RING RETAINING
10	1099		RING RETAINING
11	1959		WASHER PLAIN
11	1441		WASHER PLAIN
11	1423		WASHER, PLAIN .632 X 1.00 X .026
11	1082		WASHER PLAIN
11	1424		WASHER PLAIN
11	1068		WASHER PLAIN
11	1425		WASHER PLAIN
11	1358		WASHER PLAIN
11	1145		WASHER, PLAIN .632 X 1.00 X .060
11	1319		WASHER PLAIN
12	3312		O-RING
13	3876		WASHER, PLAIN .632 X 1.38 X .046
14	1374		KEY WOODRUFF #9
15	4134		ASSY KIT INPUT SHAFT
16	3590		PINION, BEVEL, 14 TEETH
17	3624		RING, RETAINING
18	3625		CHAIN, 24 PITCHES
19	1542		BEARING, FLANGE
20	3773		GEAR SPUR, 14 TEETH
21	3631		COLLAR CLUTCH
22	3828		KEY CLUTCH
23	1369		KEY WOODRUFF #3
24	3883		SHAFT INTERMEDIATE
25	1375		KEY, WOODRUFF, #61
26	3627		RING, RETAINING
27	3830		SPROCKET, 18 TEETH
28	3841		SPACER
29	3786		GEAR, SPUR, 37 TEETH
30	3785		GEAR, SPUR, 35 TEETH
31	3867		GEAR, SPUR, 30 TEETH
32	3783		GEAR, SPUR, 25 TEETH
33	3869		GEAR, SPUR, 22 TEETH
34	3741		GEAR SPUR
35	3628		WASHER, PLAIN .640 X 1.37 X .061
36	1423		WASHER, PLAIN .632 X 1.00 X .026
37	3422		SPACER .630 X 1.00 X .169
38	4286		ASSY GEAR COMB 12&35 TEETH
39	3877		SHAFT IDLER
40	3901		SPACER .635 X .875 X .755
41	3645		SPROCKET, 9 TEETH
42	3853		GEAR BEVEL 42 TEETH
43	3749		WASHER PLAIN

Ref #	Part Number	Qty	Description
43	3652		WASHER PLAIN
43	3693		WASHER PLAIN
43	3653		WASHER PLAIN
43	3408		WASHER PLAIN
43	3732		WASHER PLAIN
43	3184		WASHER, PLAIN .758 X 1.25 X .031
43	3733		WASHER PLAIN
43	3198		WASHER PLAIN
43	3734		WASHER PLAIN
43	3735		WASHER PLAIN
43	3736		WASHER PLAIN
43	3180		WASHER PLAIN
44	3882		SHAFT, DRIVE
45	3646		GEAR, SPUR, 12 TEETH
46	3707		GEAR SPUR, 15 TEETH
47	3866		GEAR, SPUR, 20 TEETH
48	3719		GEAR, SPUR, 25 TEETH
49	3868		GEAR, SPUR, 28 TEETH
50	3683		GEAR, SPUR, 31 TEETH
51	1145		WASHER, PLAIN .632 X 1.00 X .060
52	3191		SEAL FELT
53	3180		WASHER PLAIN
54	3880		AXLE LEFT HAND
55	3780		GEAR, MITER, 15 TEETH
56	3656		RING, RETAINING
57	3839		GEAR, SPUR, 32 TEETH
58	3919		SHAFT, CROSS
59	3781		GEAR, MITER, 15 TEETH
60	3881		AXLE, R.H.
61	3864		HOUSING LOWER
62	3920		PUCK, FRICTION
63	3276		DISC, BRAKE
64	3758		SPACER
65	3916		JAW, BRAKE
66	3843		PIN, DOWEL
67	3915		SCREW TAPPING
68	3768		LEVER, ACTUATING
69	3760		WASHER, PLAIN .321 X 1.00 X .055
70	3917		BRACKET, ANTI-ROTATION
71	3847		LOCKNUT 5/16-24
72	3724		SCREW TAPPING
73	3906		WASHER PLAIN
74	3907		PUCK, FRICTION
75	4300		GREASE

LAWN TRACTOR - MODEL NUMBER X14V38A TRANSAXLE FOOTE-MODEL NUMBER 4360-7

TRANSAXLE



Ref #	Part Number	Qty	Description
1	3865		HOUSING UPPER
2	1919		SCREW
3	1151		BALL DETENT
4	3626		SPRING, DETENT
5	3623		SCREW, SET
6	4336		ASSY SHIFTER
7	3884		O-RING
8	3885		WASHER PLAIN
8	3886		WASHER PLAIN
8	3887		WASHER PLAIN
8	3888		WASHER PLAIN
8	3889		WASHER PLAIN
8	3121		WASHER PLAIN
8	3890		WASHER PLAIN
9	1100		RING RETAINING
10	1099		RING RETAINING
11	1959		WASHER PLAIN
11	1441		WASHER PLAIN
11	1423		WASHER, PLAIN .632 X 1.00 X .026
11	1082		WASHER PLAIN
11	1424		WASHER PLAIN
11	1068		WASHER PLAIN
11	1425		WASHER PLAIN
11	1358		WASHER PLAIN
11	1145		WASHER, PLAIN .632 X 1.00 X .060
11	1319		WASHER PLAIN
12	3312		O-RING
13	3876		WASHER, PLAIN .632 X 1.38 X .046
14	1374		KEY WOODRUFF #9
15	4134		ASSY KIT INPUT SHAFT
16	3590		PINION, BEVEL, 14 TEETH
17	3624		RING, RETAINING
18	3625		CHAIN, 24 PITCHES
19	1542		BEARING, FLANGE
20	3773		GEAR SPUR, 14 TEETH
21	3631		COLLAR CLUTCH
22	3828		KEY CLUTCH
23	1369		KEY WOODRUFF #3
24	3883		SHAFT INTERMEDIATE
25	1375		KEY, WOODRUFF, #61
26	3627		RING, RETAINING
27	3830		SPROCKET, 18 TEETH
28	3841		SPACER
29	3786		GEAR, SPUR, 37 TEETH
30	3785		GEAR, SPUR, 35 TEETH
31	3867		GEAR, SPUR, 30 TEETH
32	3783		GEAR, SPUR, 25 TEETH
33	3869		GEAR, SPUR, 22 TEETH
34	3741		GEAR SPUR
35	3628		WASHER, PLAIN .640 X 1.37 X .061
36	1423		WASHER, PLAIN .632 X 1.00 X .026
37	3422		SPACER .630 X 1.00 X .169
38	4286		ASSY GEAR COMB 12&35 TEETH
39	3877		SHAFT IDLER
40	3901		SPACER .635 X .875 X .755
41	3645		SPROCKET, 9 TEETH
42	3853		GEAR BEVEL 42 TEETH
43	3749		WASHER PLAIN

Ref #	Part Number	Qty	Description
43	3652		WASHER PLAIN
43	3693		WASHER PLAIN
43	3653		WASHER PLAIN
43	3408		WASHER PLAIN
43	3732		WASHER PLAIN
43	3184		WASHER, PLAIN .758 X 1.25 X .031
43	3733		WASHER PLAIN
43	3198		WASHER PLAIN
43	3734		WASHER PLAIN
43	3735		WASHER PLAIN
43	3736		WASHER PLAIN
43	3180		WASHER PLAIN
44	3882		SHAFT, DRIVE
45	3646		GEAR, SPUR, 12 TEETH
46	3707		GEAR SPUR, 15 TEETH
47	3866		GEAR, SPUR, 20 TEETH
48	3719		GEAR, SPUR, 25 TEETH
49	3868		GEAR, SPUR, 28 TEETH
50	3683		GEAR, SPUR, 31 TEETH
51	1145		WASHER, PLAIN .632 X 1.00 X .060
52	3191		SEAL FELT
53	3180		WASHER PLAIN
54	3880		AXLE LEFT HAND
55	3780		GEAR, MITER, 15 TEETH
56	3656		RING, RETAINING
57	3839		GEAR, SPUR, 32 TEETH
58	3919		SHAFT, CROSS
59	3781		GEAR, MITER, 15 TEETH
60	3881		AXLE, R.H.
61	3864		HOUSING LOWER
62	3920		PUCK, FRICTION
63	3276		DISC, BRAKE
64	3758		SPACER
65	3916		JAW, BRAKE
66	3843		PIN, DOWEL
67	3915		SCREW TAPPING
68	3768		LEVER, ACTUATING
69	3760		WASHER, PLAIN .321 X 1.00 X .055
70	3917		BRACKET, ANTI-ROTATION
71	3847		LOCKNUT 5/16-24
72	3724		SCREW TAPPING
73	3906		WASHER PLAIN
74	3907		PUCK, FRICTION
75	4300		GREASE