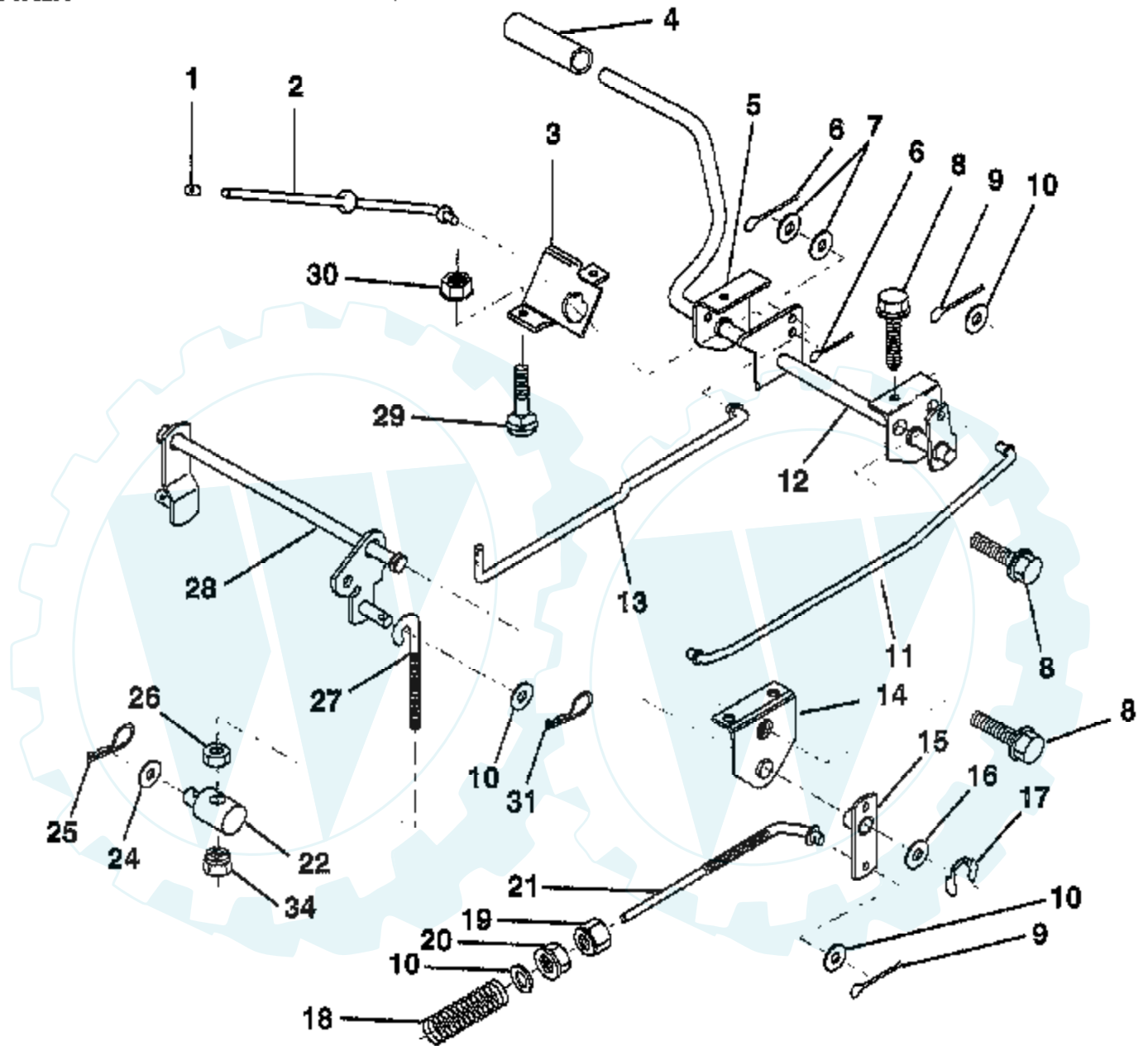


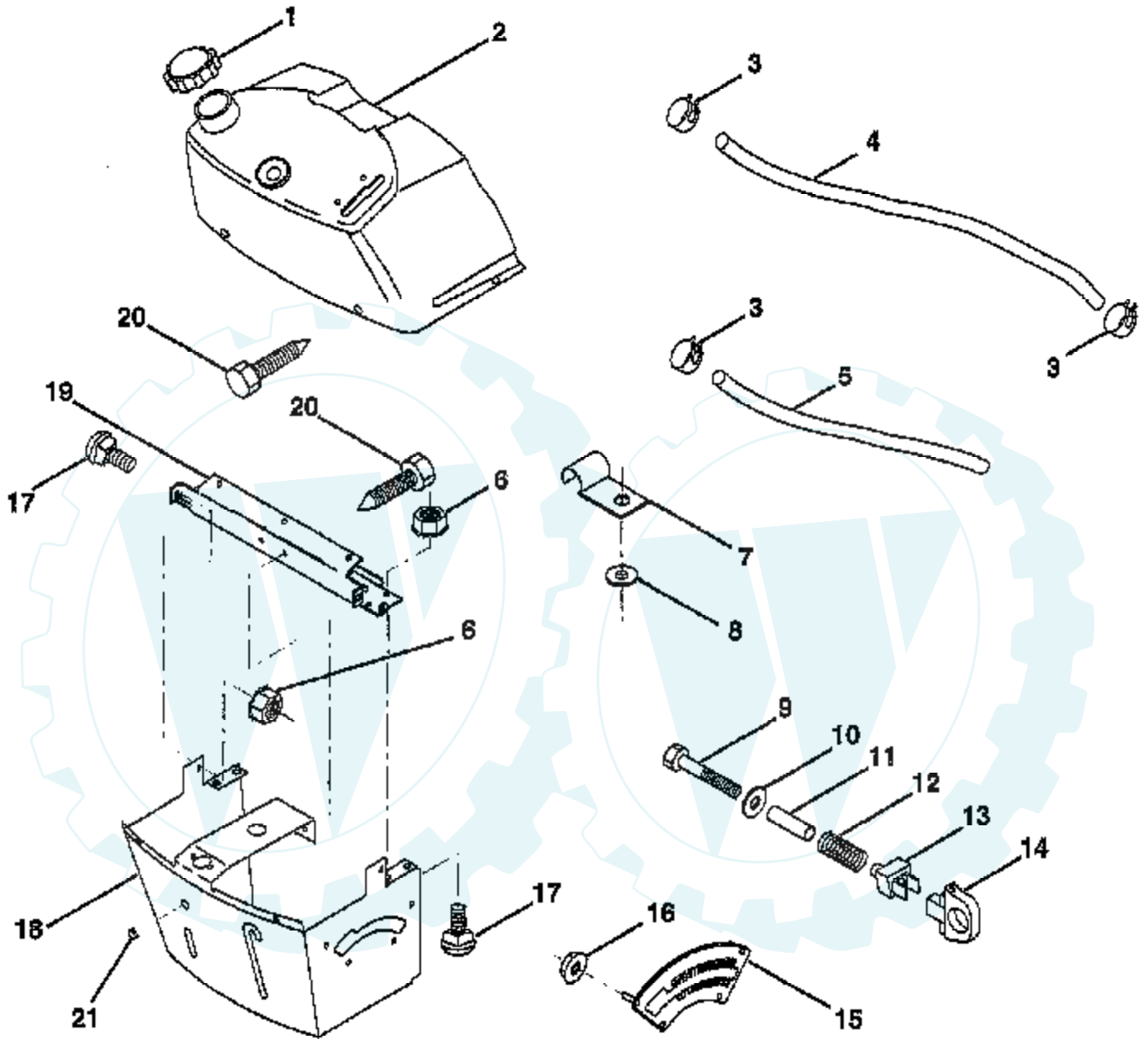
TRACTOR - MODEL NUMBER WZ1236B BRAKE / REAR MOWER LIFT ASSEMBLY



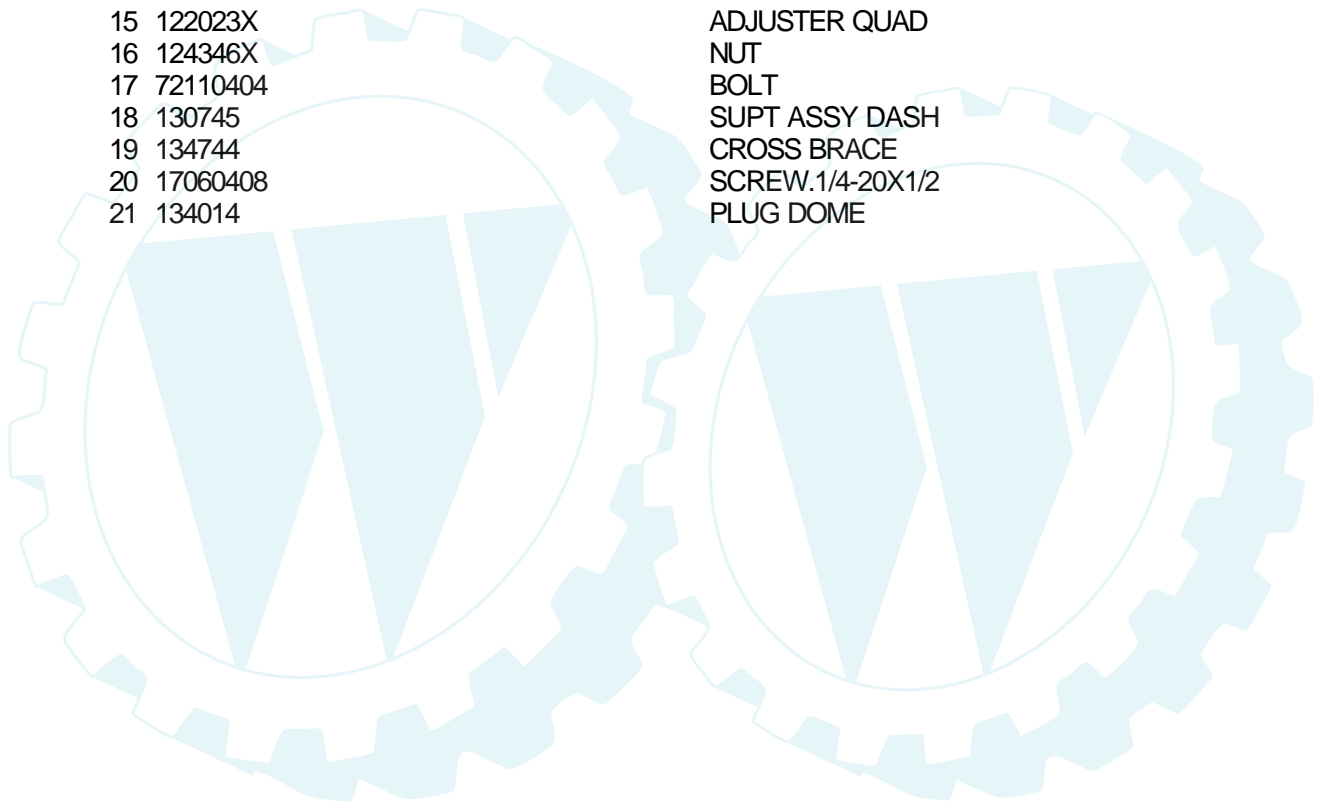
| Ref # | Part Number | Qty | Description |
|-------|-------------|-----|---------------------|
| 1 | 71673 | | PLUNGER CAP T |
| 2 | 123436X | | "ROD,PARK BRAKE" |
| 3 | 123437X | | "BRKT,PARK BRAKE" |
| 4 | 8156H | | FOOT PEDAL COVER |
| 5 | 122504X | | "BRKT,CLU PEDAL LH" |
| 6 | 76020312 | | SUB= 3145 |
| 7 | 19131016 | | WASHER |
| 8 | 17490508 | | SCREW LT |
| 9 | 76020412 | | COTTER PIN |
| 10 | 19131316 | | WASHER |
| 11 | 123543X | | "ROD,FRT BRAKE" |
| 12 | 139933 | | PEDAL ASM CL/BK36 |
| 13 | 123394X | | "ROD,CLUTCH" |
| 14 | 121978X | | "BRKT,LIFT SHAFT" |
| 15 | 133332 | | PVT BRAKE ARM ASM |
| 16 | 19251816 | | WASHER T |
| 17 | 12000034 | | KLIP RING |
| 18 | 151332 | | SPRING ROD BRAKE |
| 19 | 73350600 | | NUT |
| 20 | 73800600 | | NUT |
| 21 | 131460 | | SUB= 532131460 |
| 22 | 144585 | | TRUNNION.LIFT. |
| 24 | 19132012 | | WASHER |
| 25 | 4921H | | SPRING.RETAINER |
| 26 | 73930600 | | LOCKNUT |
| 27 | 127369 | | "LINK, MOWER REAR" |
| 28 | 140776 | | LIFT ASM MOW REAR |
| 29 | 72110506 | | SUB= 72270506 |
| 30 | 73510500 | | NUT |
| 31 | 3146R | | RETAINER.SPRING |
| 34 | 73680600 | | SUB= 73690600 |

TRACTOR - MODEL NUMBER WZ1236B

DASHBOARD

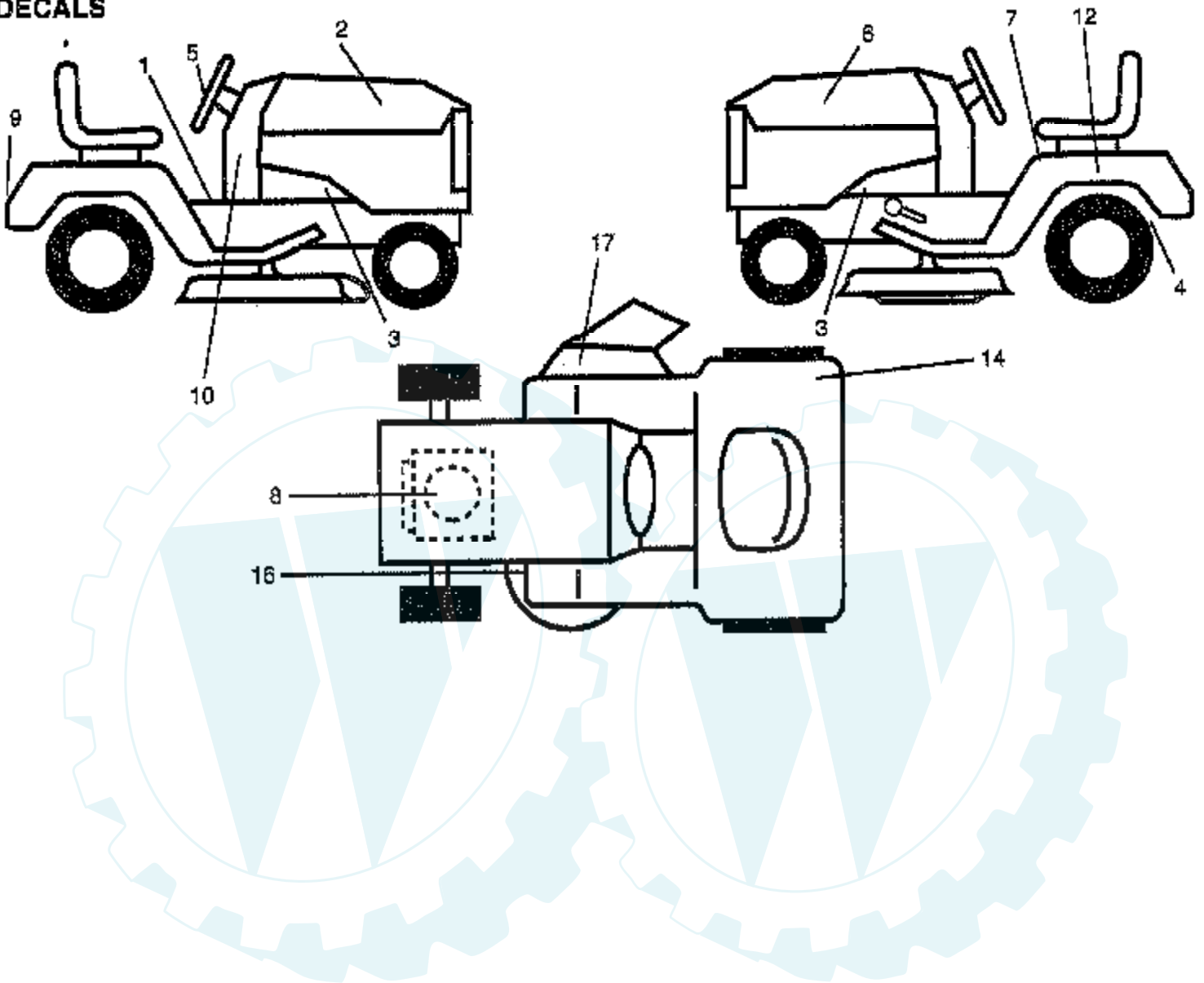


| Ref # | Part Number | Qty | Description |
|-------|-------------|-----|---------------------|
| 1 | 141523 | | CAP BLK FUEL LR |
| 2 | 138393 | | TANK.ASM.DASH.LR |
| 3 | 123487X | | HOSE CLAMP |
| 4 | 8544R | | SUB= 295J |
| 5 | 8548R | | FUEL LINE T |
| 6 | 73640400 | | NUT HXKEP 1/4X20 |
| 7 | 2751R | | CLIP T |
| 8 | 19091216 | | WASHER PM |
| 9 | 74760428 | | BOLT |
| 10 | 19091413 | | WASHER |
| 11 | 121249X | | SPACER SPLIT |
| 12 | 3720R | | SPRING M |
| 13 | 126450X | | "KNOB,HGT RETAINER" |
| 14 | 126115X | | KNOB |
| 15 | 122023X | | ADJUSTER QUAD |
| 16 | 124346X | | NUT |
| 17 | 72110404 | | BOLT |
| 18 | 130745 | | SUPT ASSY DASH |
| 19 | 134744 | | CROSS BRACE |
| 20 | 17060408 | | SCREW.1/4-20X1/2 |
| 21 | 134014 | | PLUG DOME |

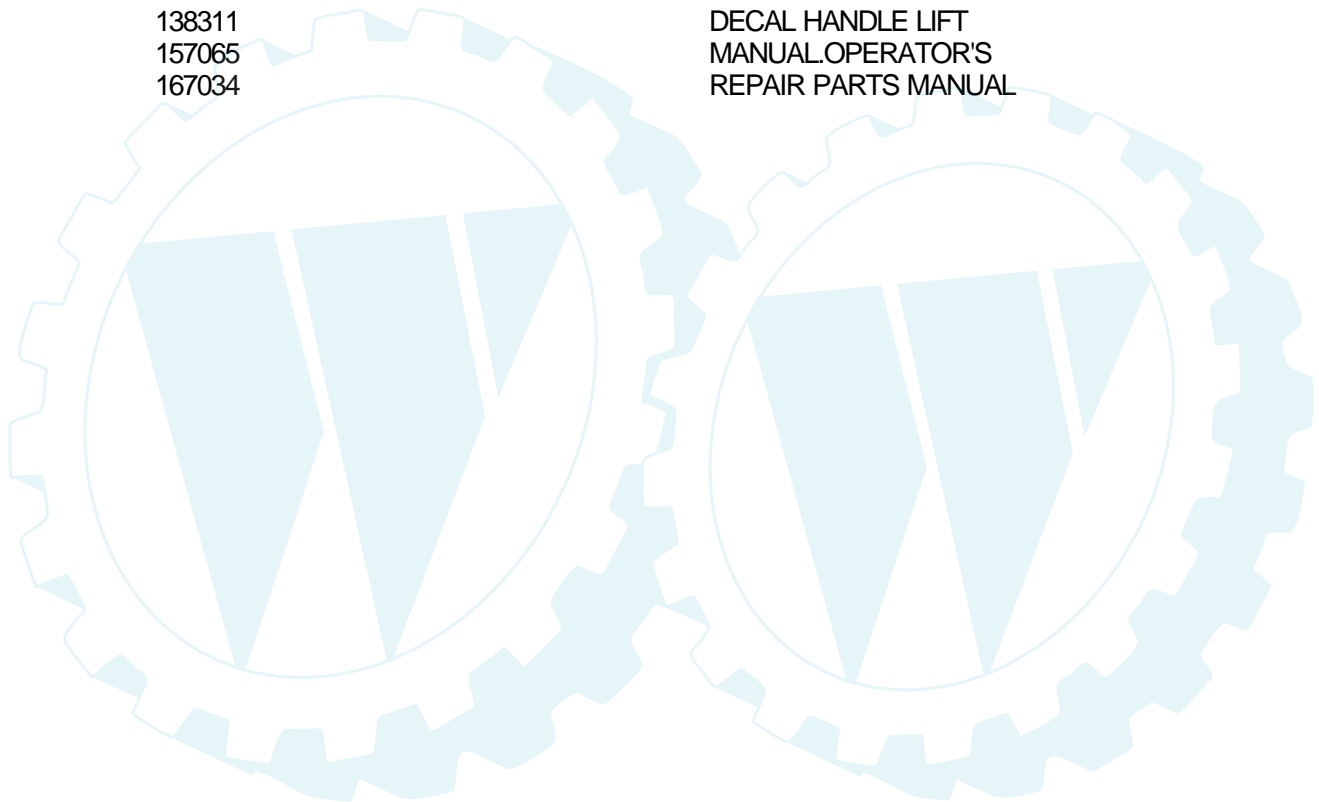


TRACTOR - MODEL NUMBER WZ1236B

DECALS

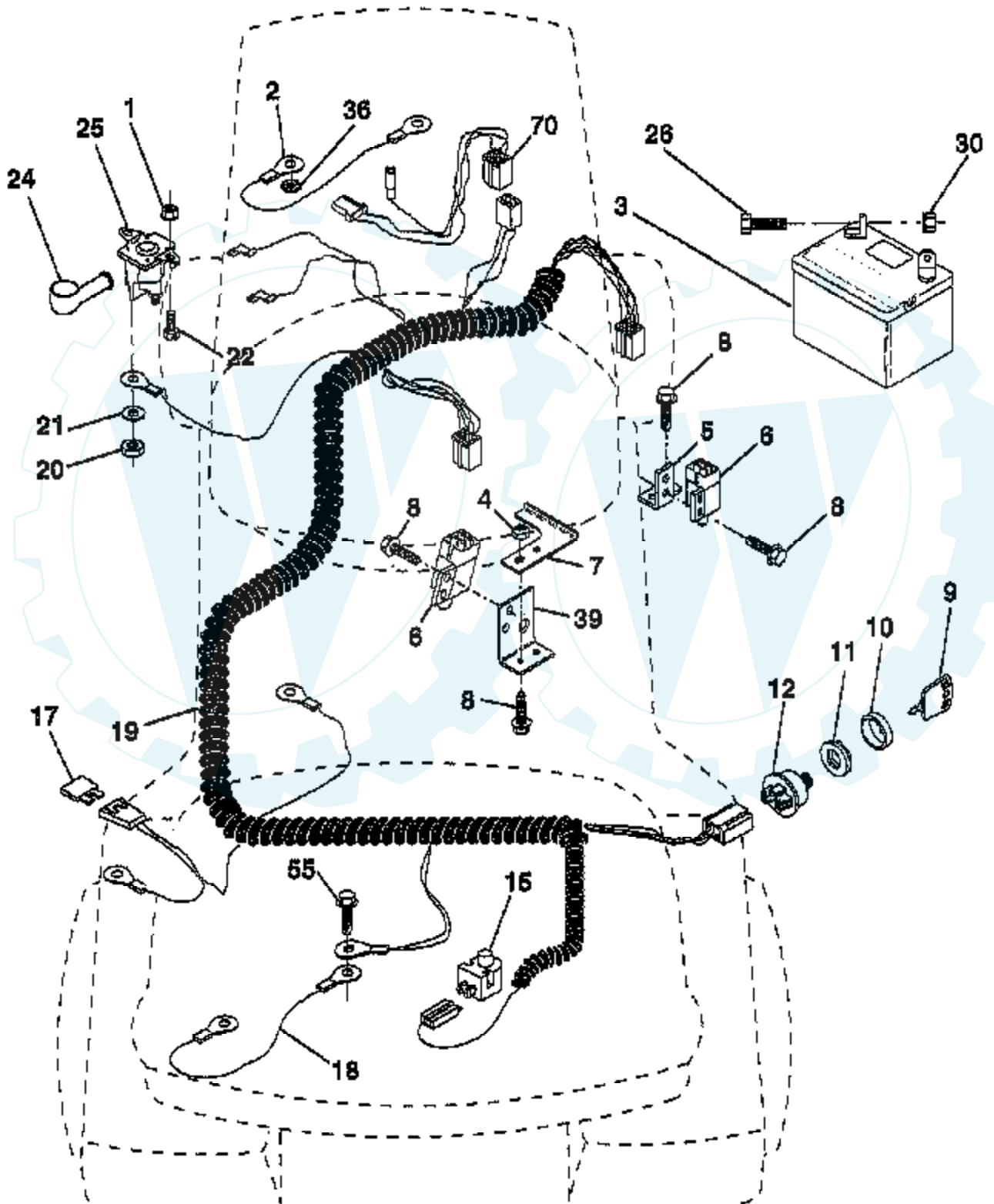


| Ref # | Part Number | Qty | Description |
|-------|-------------|-----|---------------------|
| 1 | 159739 | | DECAL CLUTCH/BRAK |
| 2 | 163767 | | DECAL.HOOD.RH |
| 3 | 159736 | | "DECAL CHASSIS,HOT" |
| 4 | 162598 | | DECAL.DRAWBAR.LDL |
| 5 | 163770 | | DECAL.INS.STRG/WH |
| 6 | 163768 | | DECAL.HOOD.LH |
| 7 | 145498 | | DECAL.READ.O.MANU |
| 8 | 165297 | | SUB= 272440 |
| 9 | 163769 | | DECAL.FENDER |
| 10 | 145437 | | DECAL.EURO.ST.CE. |
| 12 | 145005 | | DECAL.BATRY.3-3908 |
| 14 | 126187X | | SUB= 532126187 |
| 16 | 145494 | | DECAL.DANGER.CUTF |
| 17 | 136830 | | DECAL.V.BELT |
| | 138311 | | DECAL HANDLE LIFT |
| | 157065 | | MANUAL.OPERATOR'S |
| | 167034 | | REPAIR PARTS MANUAL |



TRACTOR - MODEL NUMBER WZ1236B

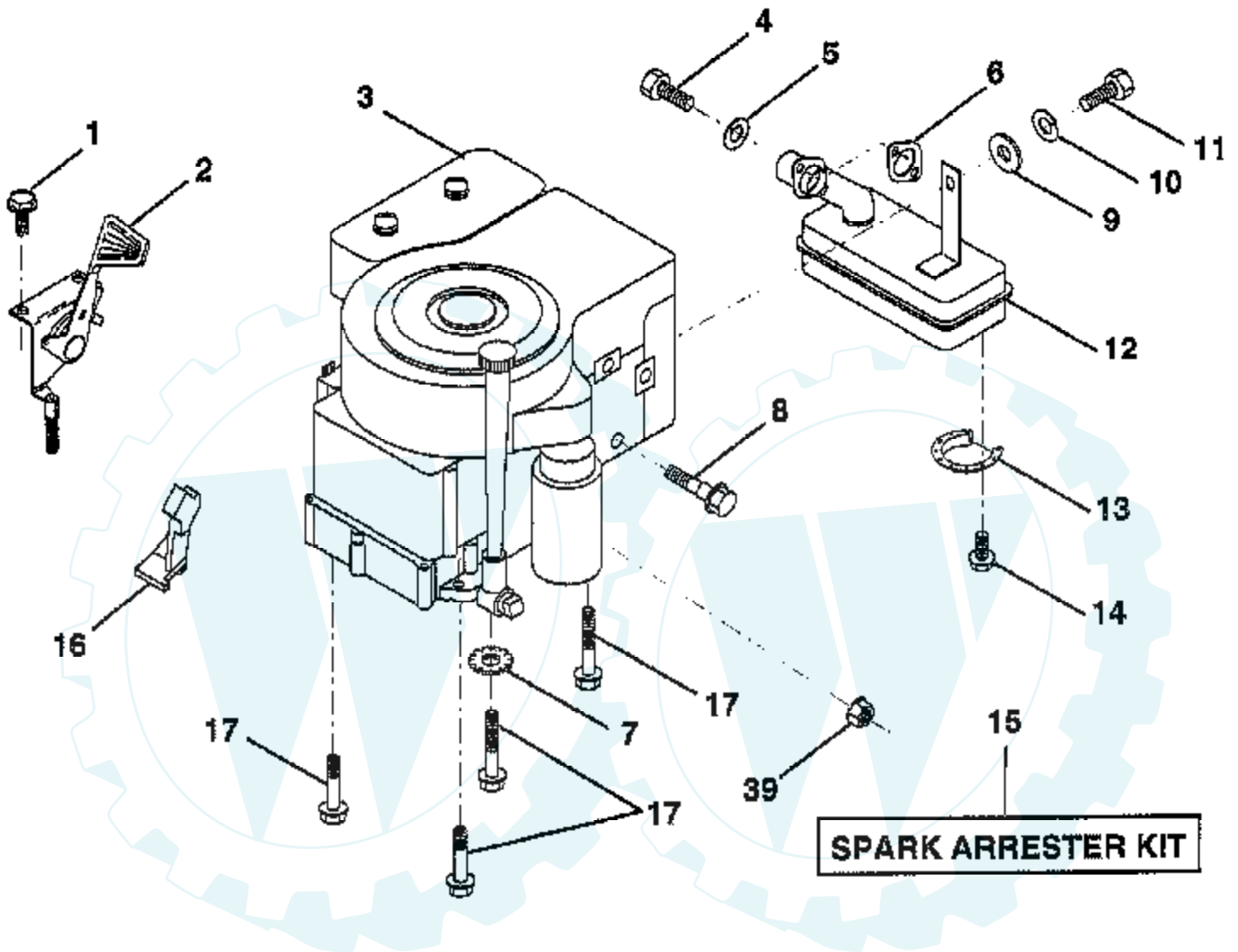
ELECTRICAL



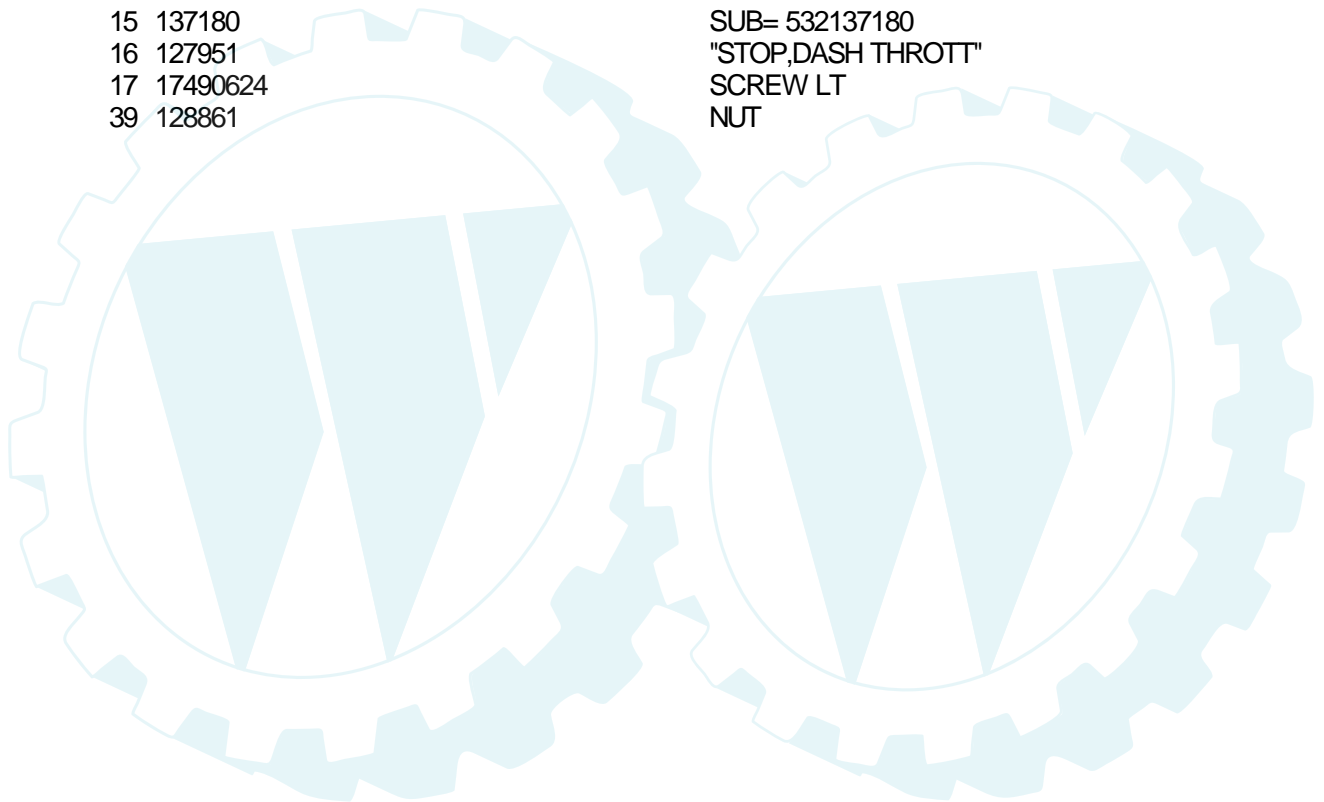
| Ref # | Part Number | Qty | Description |
|-------|-------------|-----|-------------------|
| 1 | 73640400 | | NUT HXKEP 1/4X20 |
| 2 | 108423X | | CABLE ASM. |
| 3 | 144924 | | SUB= 123899X |
| 4 | 69180 | | LOCKNUT |
| 5 | 108236X | | BRACKET LT |
| 6 | 109553X | | SWITCH INTERLOCKT |
| 7 | 146374 | | KEEPER.ACTUAT.LR. |
| 8 | 17021008 | | SCREW |
| 9 | 140401 | | KEY MLD GEN DELTA |
| 10 | 141226 | | COVER KEY SWITCH |
| 11 | 140400 | | SUB= 145774 |
| 12 | 163088 | | SWITCH.IGNITION |
| 15 | 121305X | | SWITCH SEAT |
| 17 | 108824X | | FUSE HYT |
| 18 | 128353 | | CABLE ASSY |
| 19 | 166143 | | HARNES.IGNITION |
| 20 | 73350400 | | NUT |
| 21 | 10090400 | | SUB= 10040400 |
| 22 | 71110408 | | BOLT HXHD FIN |
| 24 | 131563 | | SUB= 154336 |
| 25 | 145673 | | SUB= 146154 |
| 26 | 74760412 | | BOLT LT |
| 30 | 73510400 | | NUT |
| 36 | 11150400 | | LOCKWASHER |
| 39 | 141735 | | BRACKET SWT CLUTC |
| 55 | 17490508 | | SCREW LT |
| 70 | 166658 | | HARNES.ENGINE |

TRACTOR - MODEL NUMBER WZ1236B

ENGINE / THROTTLE

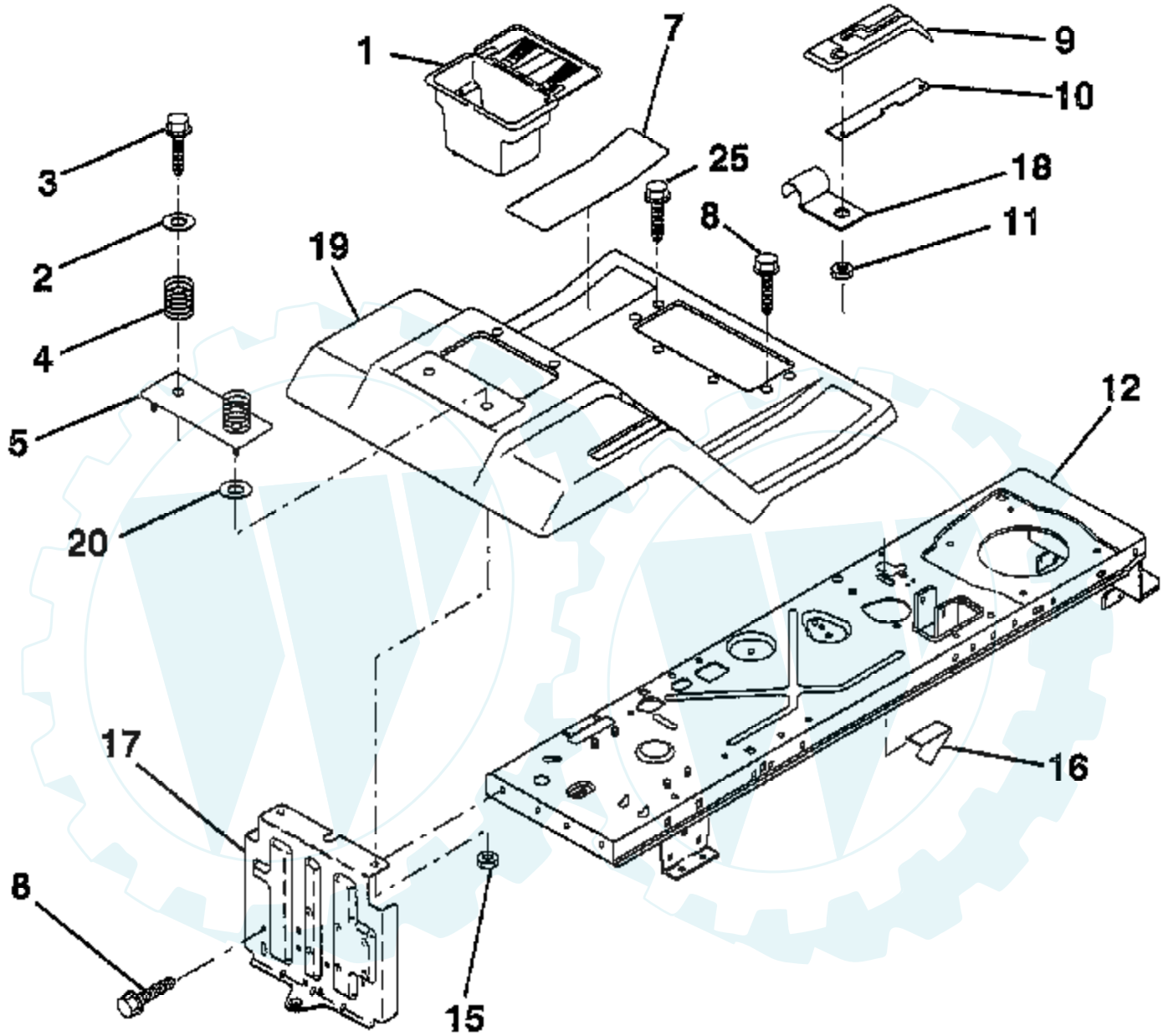


| Ref # | Part Number | Qty | Description |
|-------|-------------|-----|---------------------|
| 1 | 17060408 | | SCREW.1/4-20X1/2 |
| 2 | 133025 | | SUB= 532133025 |
| 3 | SUPPLIER | | CHECK WITH SUPPLIER |
| 4 | 71070512 | | SCREW |
| 5 | 10040500 | | LOCKWASHER |
| 6 | 165291 | | SUB= 272293 |
| 7 | 11050600 | | LOCKWASHER |
| 8 | 121094X | | BOLT T |
| 9 | 19101216 | | WASHER |
| 10 | 10040400 | | LOCKWASHER |
| 11 | SUPPLIER | | CHECK WITH SUPPLIER |
| 12 | 137437 | | MUFFLER |
| 13 | 101326L | | DEFLECTOR.222573 |
| 14 | 17030808 | | SUB= 17030814 |
| 15 | 137180 | | SUB= 532137180 |
| 16 | 127951 | | "STOP,DASH THROTT" |
| 17 | 17490624 | | SCREW LT |
| 39 | 128861 | | NUT |

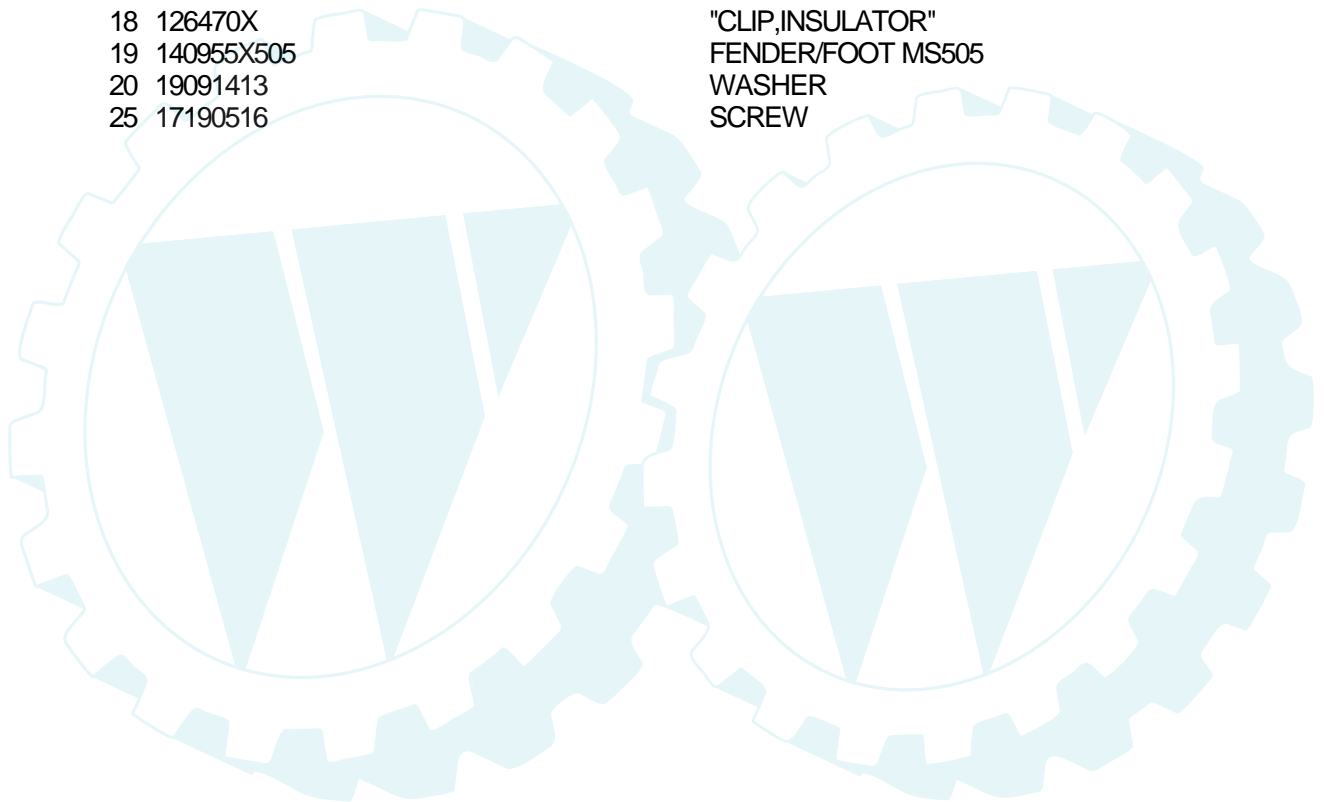


TRACTOR - MODEL NUMBER WZ1236B

FENDER / CHASSIS

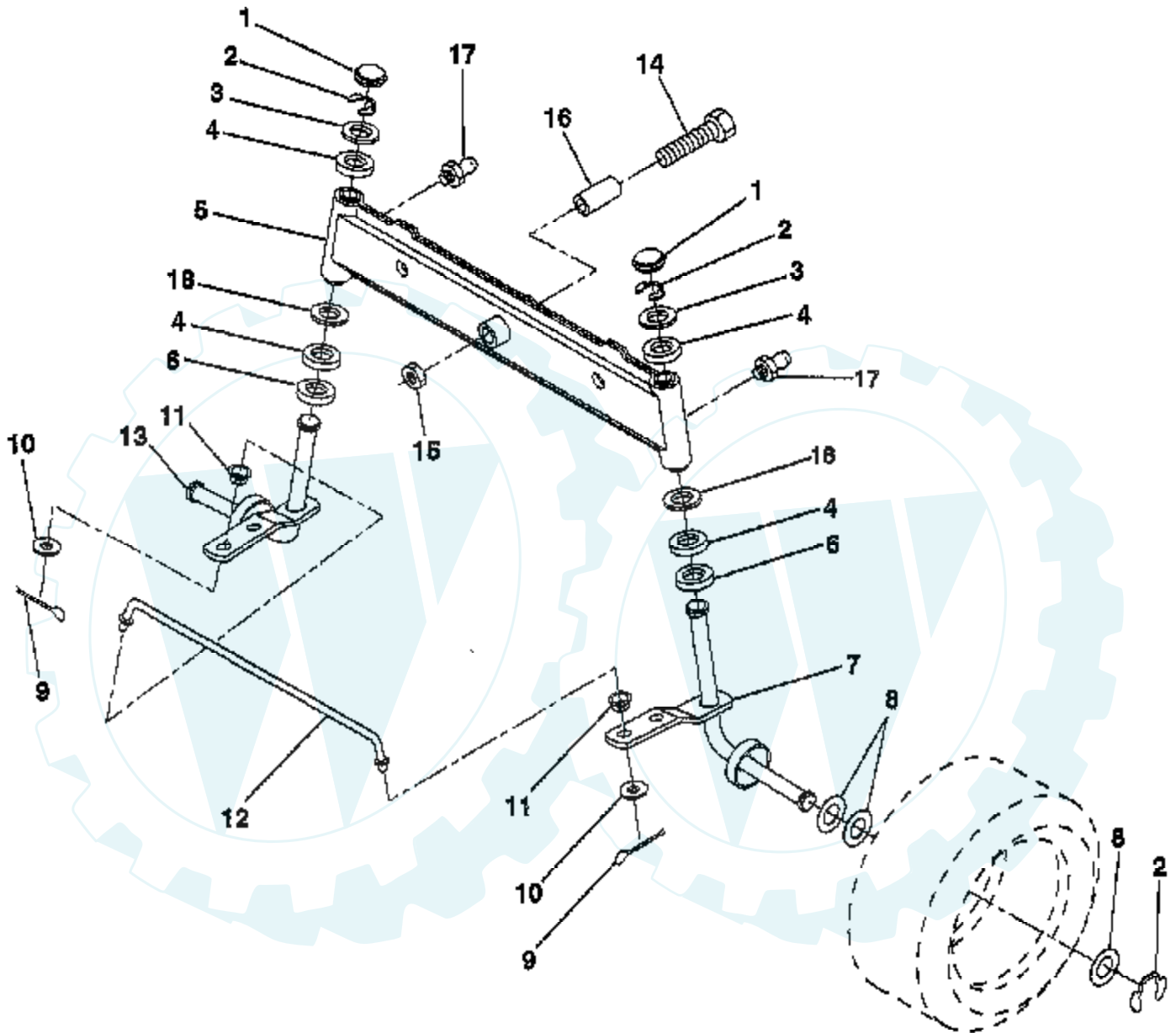


| Ref # | Part Number | Qty | Description |
|-------|-------------|-----|-----------------------|
| 1 | 156417 | | "CASE,BATTERY.MECH" |
| 2 | 19132012 | | WASHER |
| 3 | 17490612 | | SCREW |
| 4 | 124181X | | SPRING COMPRESSIO |
| 5 | 127115X505 | | BTRY FENDER PLATE |
| 7 | 124144X | | PAD FOOTREST |
| 8 | 17490512 | | SCREW |
| 9 | 126997X428 | | CONSOLE.SHIFT CONTROL |
| 10 | 139783 | | PLATE LOCK SHIFT |
| 11 | 124346X | | NUT |
| 12 | 145190 | | CHASSIS.WELD.ASM. |
| 15 | 73640400 | | NUT HXKEP 1/4X20 |
| 16 | 141736 | | SUB= 146613 |
| 17 | 140782 | | DRAWBAR ASM LR |
| 18 | 126470X | | "CLIP,INSULATOR" |
| 19 | 140955X505 | | FENDER/FOOT MS505 |
| 20 | 19091413 | | WASHER |
| 25 | 17190516 | | SCREW |

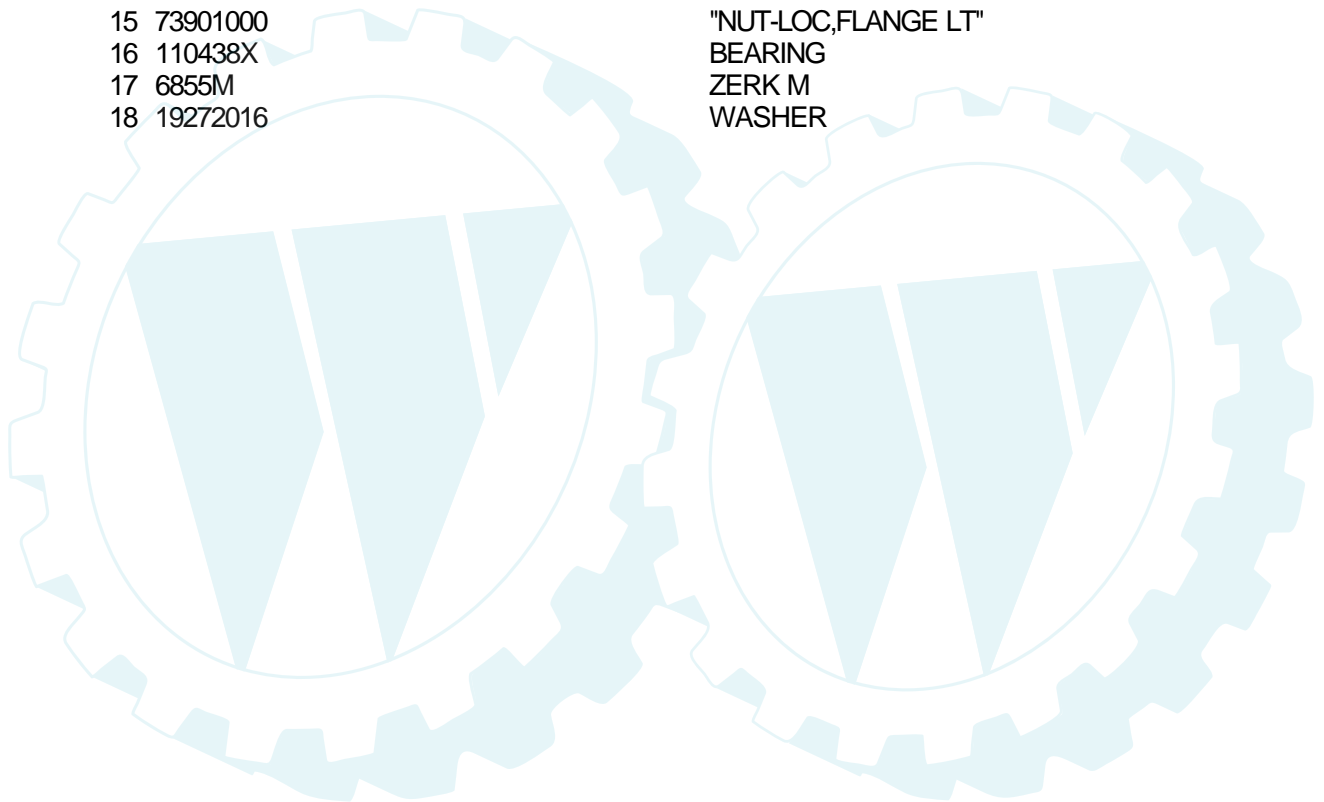


TRACTOR - MODEL NUMBER WZ1236B

FRONT AXLE

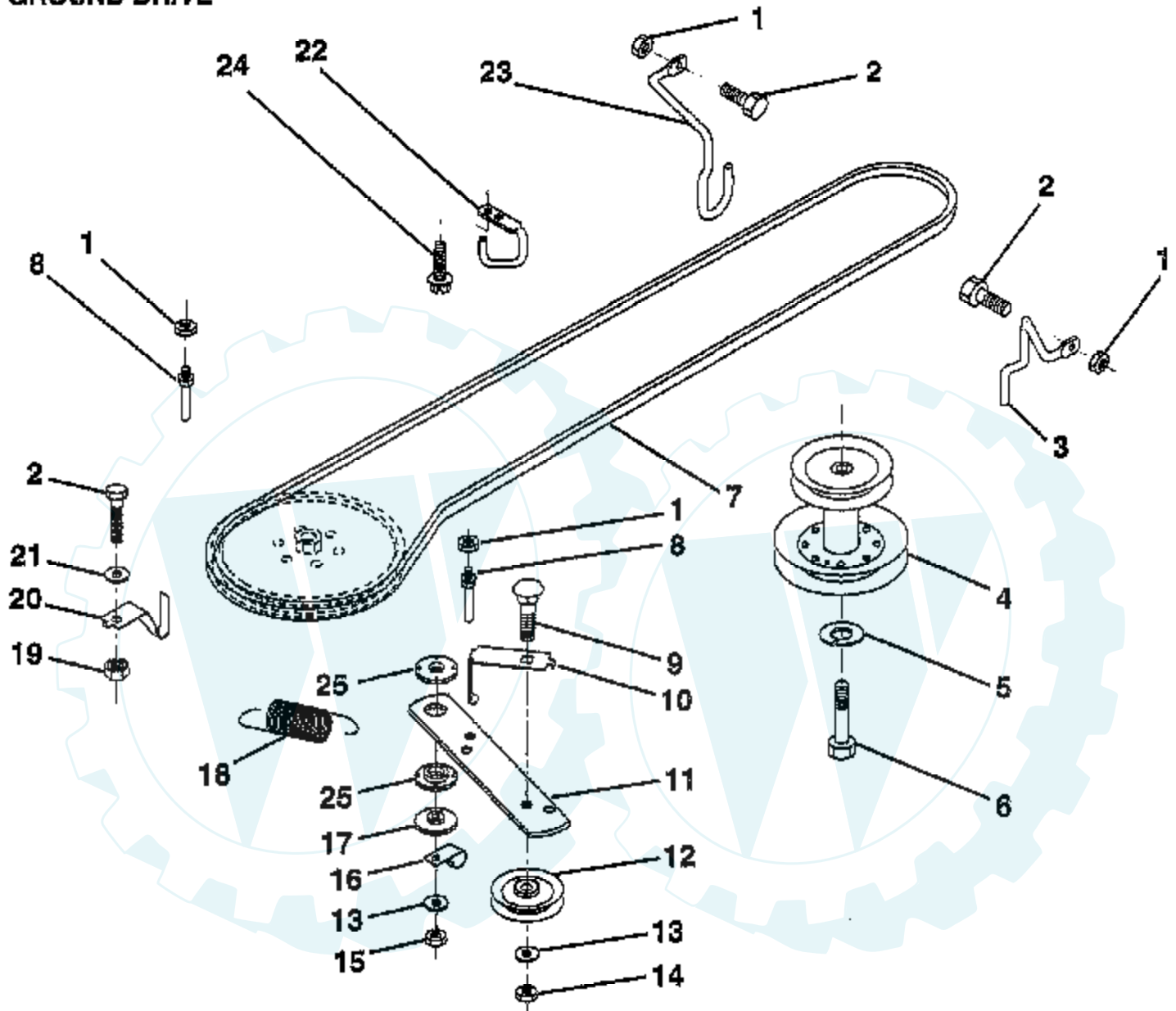


| Ref # | Part Number | Qty | Description |
|-------|-------------|-----|---------------------|
| 1 | 121232X | | CAP |
| 2 | 12000029 | | RING |
| 3 | 121748X | | WASHER |
| 4 | 3366R | | COL. SRTG. BEAR. |
| 5 | 142033 | | AXLE ASM FRONT |
| 6 | 6266H | | WASHER .T |
| 7 | 161826 | | SPINDLE.ASSY.RH |
| 8 | 121749X | | WASHER |
| 9 | 76020412 | | COTTER PIN |
| 10 | 19131316 | | WASHER |
| 11 | 126847X | | BUSHING.DRAGLINK |
| 12 | 130465 | | TIE ROD |
| 13 | 161827 | | SPINDLE.ASSY.LH |
| 14 | 74011056 | | BOLT HEX 5/8-11 |
| 15 | 73901000 | | "NUT-LOC,FLANGE LT" |
| 16 | 110438X | | BEARING |
| 17 | 6855M | | ZERK M |
| 18 | 19272016 | | WASHER |

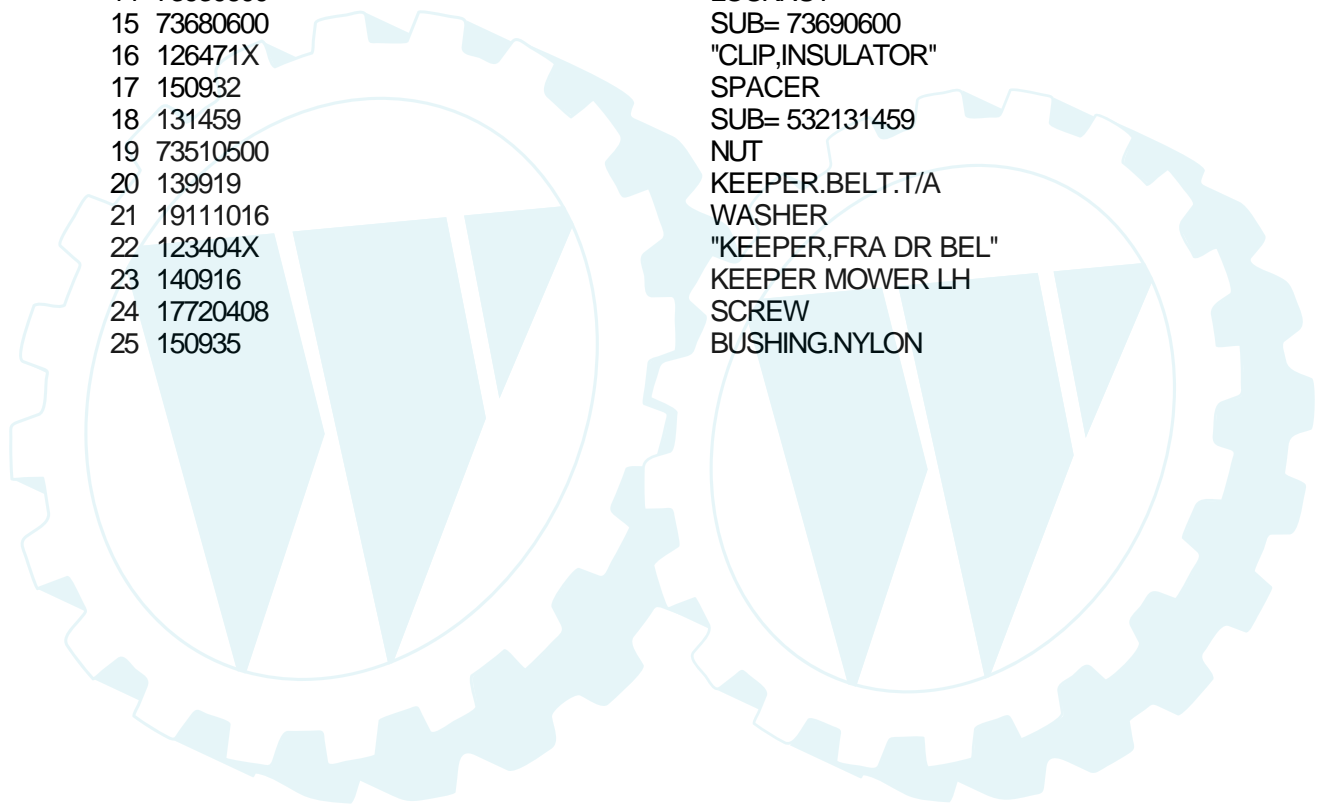


TRACTOR - MODEL NUMBER WZ1236B

GROUND DRIVE

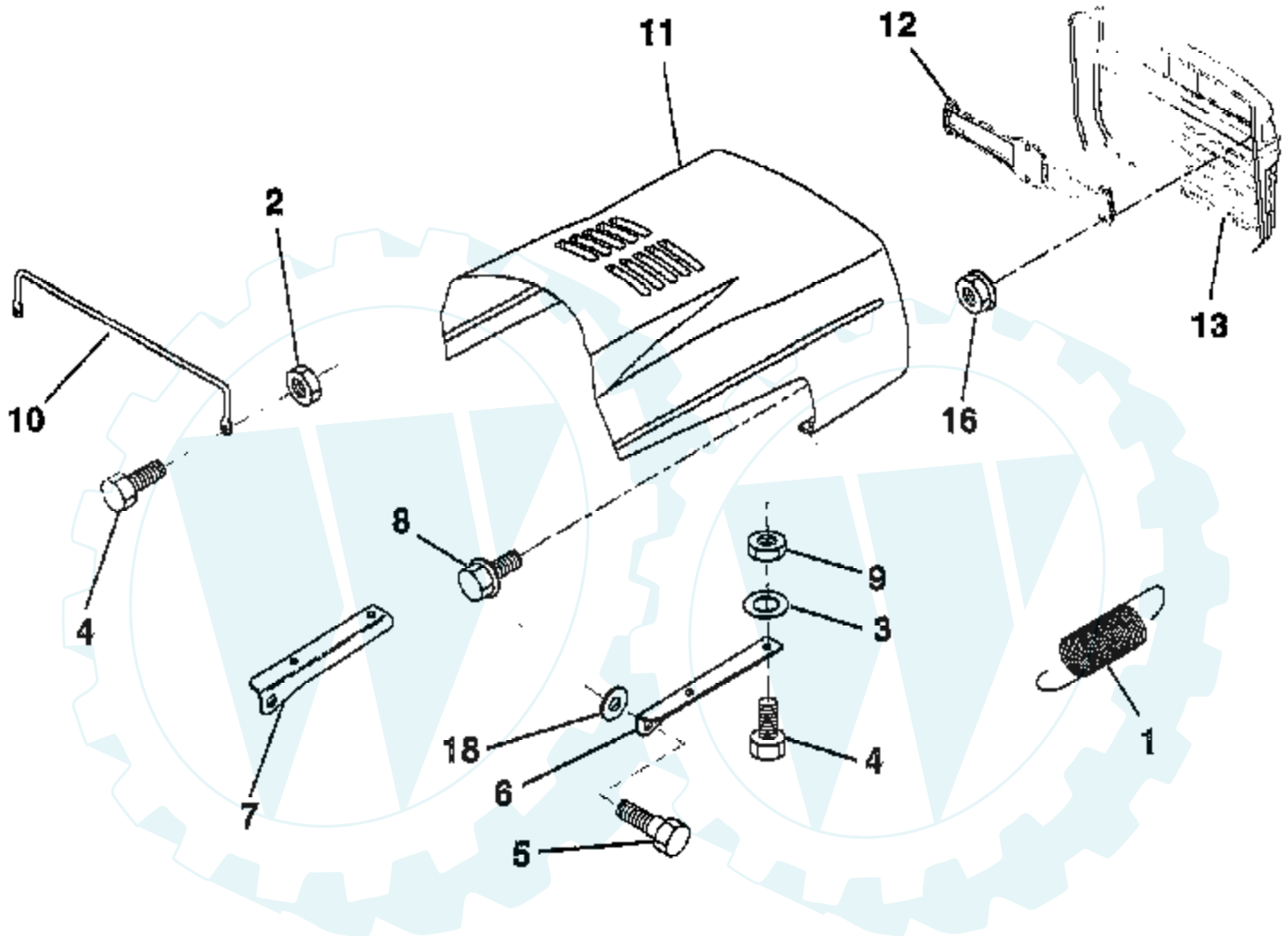


| Ref # | Part Number | Qty | Description |
|-------|-------------|-----|---------------------|
| 1 | 73680500 | | SUB= 73690500 |
| 2 | 74760512 | | BOLT |
| 3 | 141342 | | KEEPER RH |
| 4 | 138029 | | PULLEY.ENGINE.LR |
| 5 | 10040700 | | LOCKWASHER |
| 6 | 71170744 | | HEX BOLT |
| 7 | 126520X | | V BELT |
| 8 | 123405X | | "KEEPER,DRIVE BELT" |
| 9 | 72140612 | | BOLT |
| 10 | 123396X | | "KEEP,IDLER DR BEL" |
| 11 | 150926 | | ARM-IDLER.DR.GRND |
| 12 | 123674X | | PULLEY.IDLER.FLAT |
| 13 | 19131316 | | WASHER |
| 14 | 73930600 | | LOCKNUT |
| 15 | 73680600 | | SUB= 73690600 |
| 16 | 126471X | | "CLIP,INSULATOR" |
| 17 | 150932 | | SPACER |
| 18 | 131459 | | SUB= 532131459 |
| 19 | 73510500 | | NUT |
| 20 | 139919 | | KEEPER.BELT.T/A |
| 21 | 19111016 | | WASHER |
| 22 | 123404X | | "KEEPER,FRA DR BEL" |
| 23 | 140916 | | KEEPER MOWER LH |
| 24 | 17720408 | | SCREW |
| 25 | 150935 | | BUSHING.NYLON |

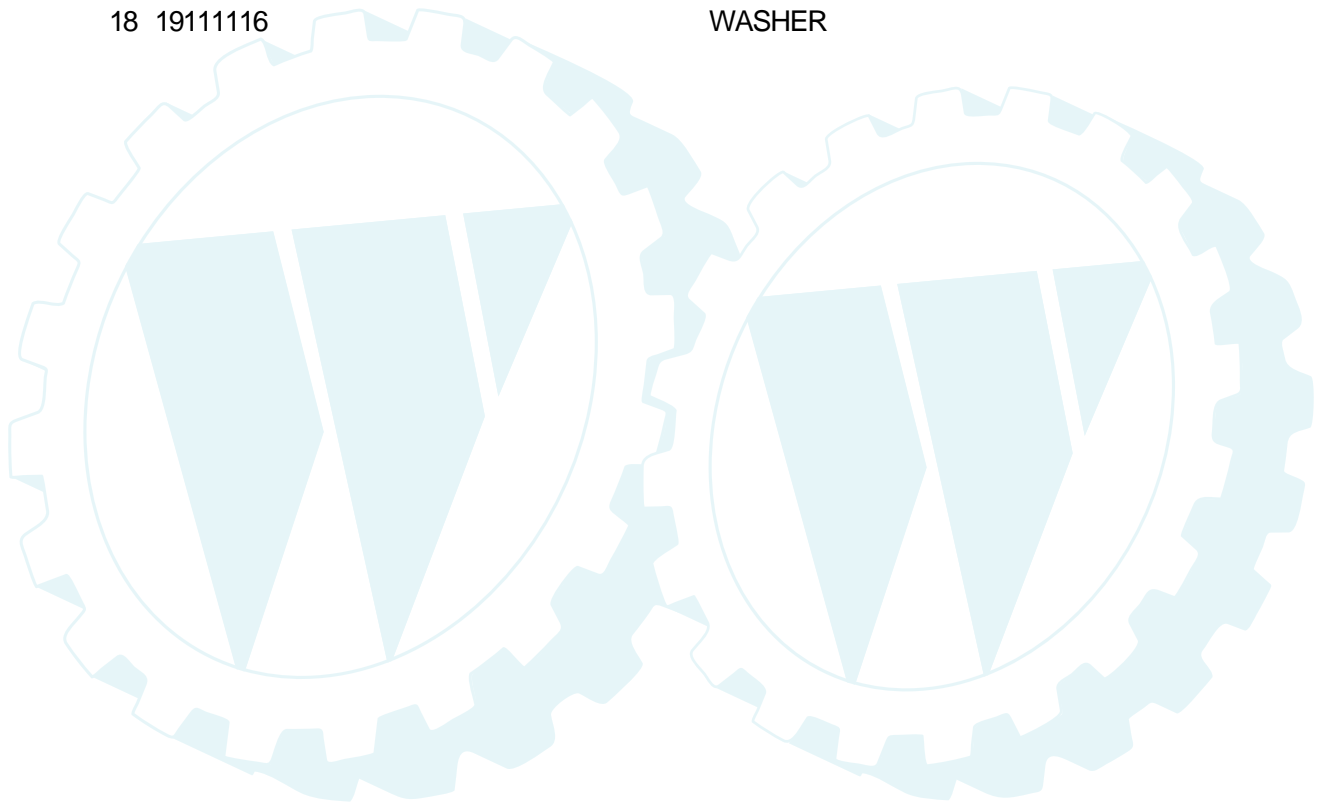


TRACTOR - MODEL NUMBER WZ1236B

HOOD

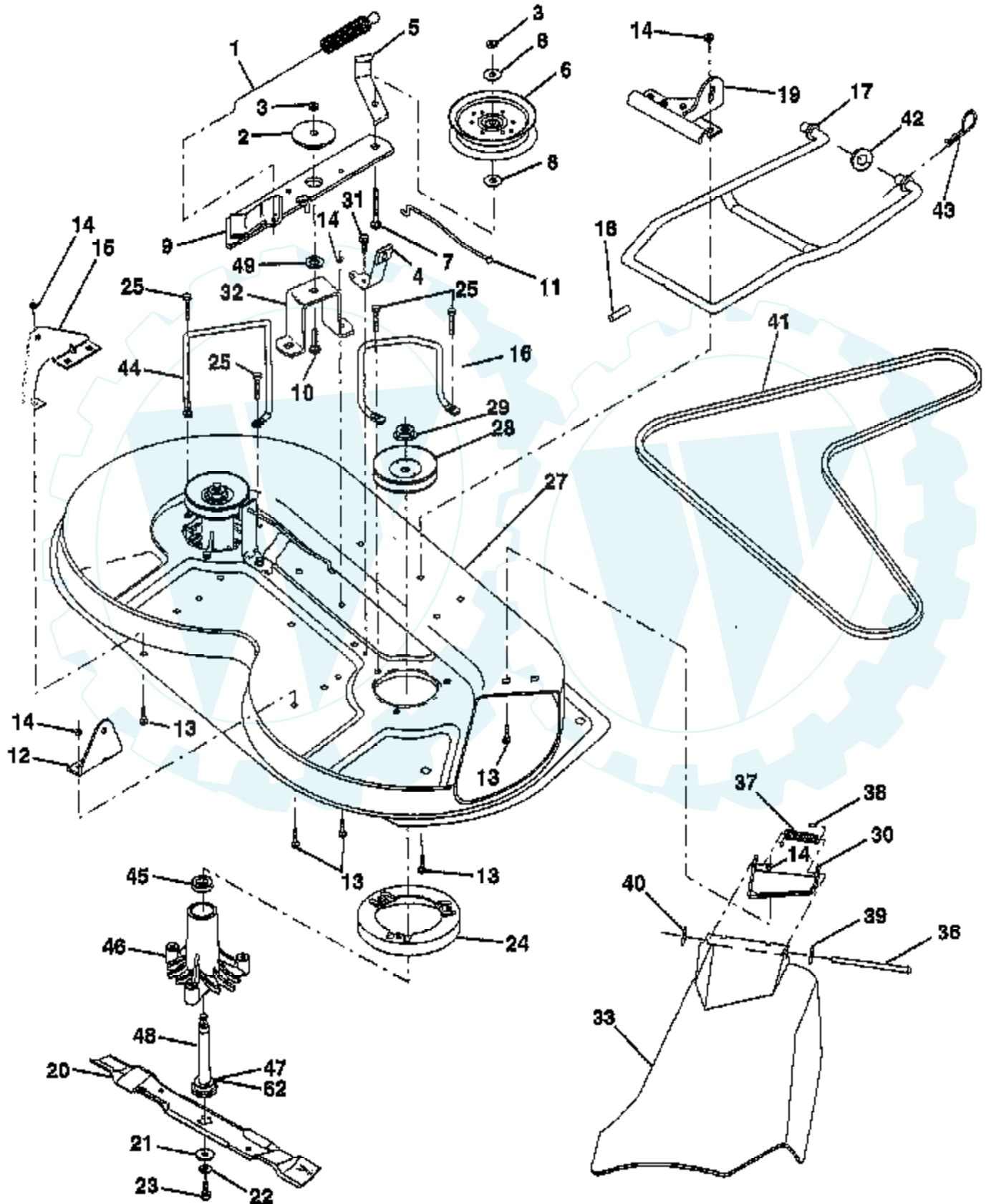


| Ref # | Part Number | Qty | Description |
|-------|-------------|-----|------------------------------|
| 1 | 124657X | | EXT SPRING |
| 2 | 73510400 | | NUT |
| 3 | 19091416 | | WASHER |
| 4 | 74780412 | | SUB= 74780414 |
| 5 | 139888 | | BOLT.SHLD.5/16-18 |
| 6 | 122549X | | BRKT HOOD RH |
| 7 | 122548X | | BRKT HOOD LH |
| 8 | 164863 | | "SCREW,HWHD.HI-LO#13-16X3/4" |
| 9 | 73800400 | | NUT |
| 10 | 123693X | | "BRACE,HOOD" |
| 11 | 132918X505 | | HOOD |
| 12 | 127178 | | LENS T |
| 13 | 134232X428 | | GRILL (BLACK) |
| 16 | 124346X | | NUT |
| 18 | 19111116 | | WASHER |



TRACTOR - MODEL NUMBER WZ1236B

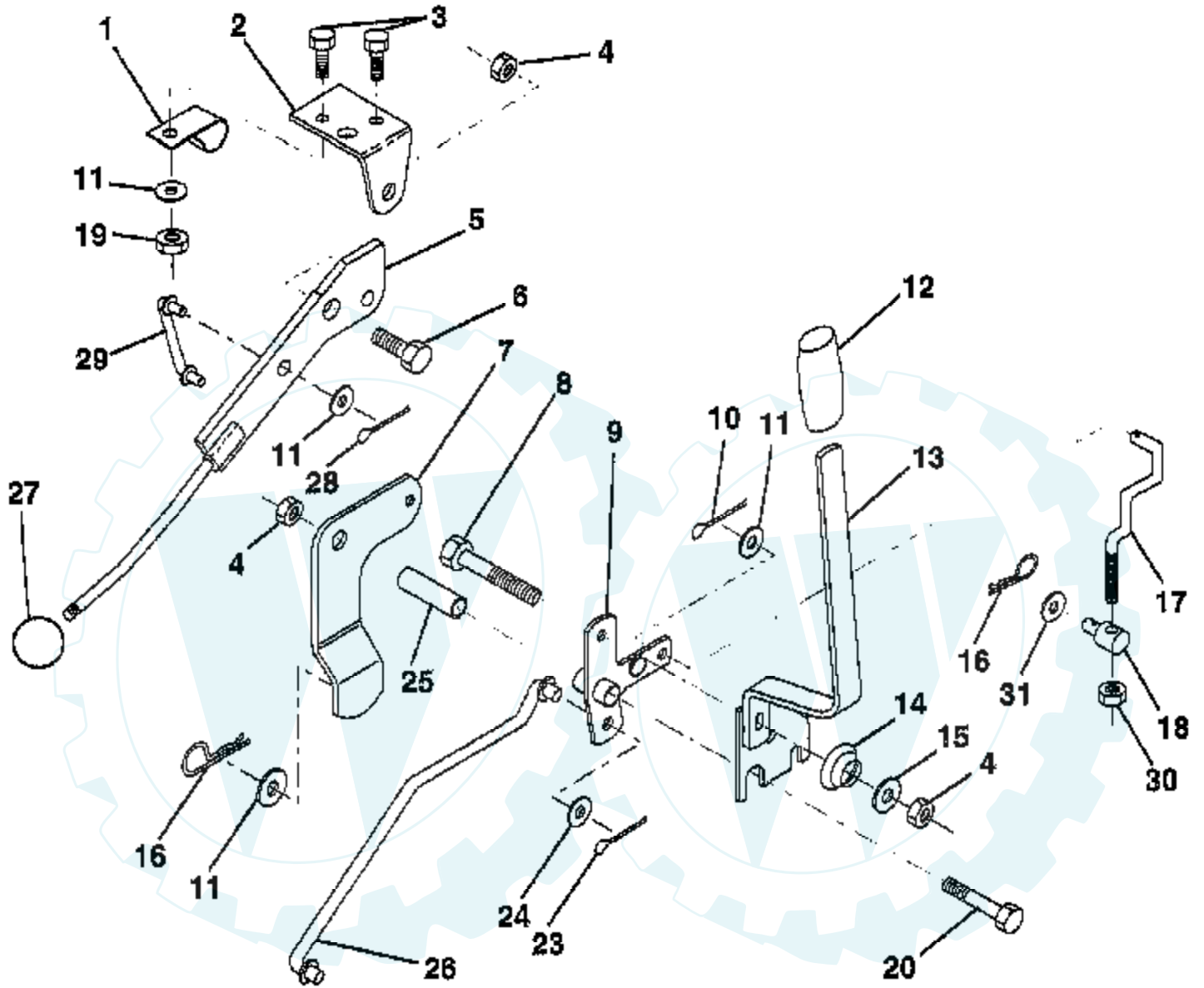
MOWER DECK



| Ref # | Part Number | Qty | Description |
|-------|-------------|-----|---------------------|
| 1 | 140064 | | SPRING CLUTCH MWR |
| 2 | 122052X | | SPACER RETAINER |
| 3 | 73680600 | | SUB= 73690600 |
| 4 | 130840 | | BRAKE ASM |
| 5 | 131251 | | IDLER BELT GUIDE |
| 6 | 121316X | | PULLEY IDLER |
| 7 | 72110616 | | BOLT |
| 8 | 19131410 | | WASHER |
| 9 | 127744 | | SUB= 140092 |
| 10 | 72140610 | | BOLT.3/8-14X1.25 |
| 11 | 130841 | | BRAKE ROD |
| 12 | 127356 | | "BRKT,LIFT REAR" |
| 13 | 72140506 | | BOLT |
| 14 | 73680500 | | SUB= 73690500 |
| 15 | 127357 | | "BRKT,LIFT REAR LH" |
| 16 | 153298 | | "KEEPER-BELT,RH" |
| 17 | 128508 | | MOWER LINK STAB |
| 18 | 128511 | | "PIN,GROOVE" |
| 19 | 127380 | | "BRKT,LINK STABILI" |
| 20 | 138496 | | "BLADE.36"" HIPERF" |
| 21 | 140296 | | WASHER.HARD.BLADE |
| 22 | 10030600 | | SUB= 10040600 |
| 23 | 850857 | | BLADE BOLT |
| 24 | 140329 | | STRIPPER RND MWR |
| 25 | 157722 | | "SCREW-THD ROLL,WA" |
| 27 | 156600 | | "HOUSING-MOWER,36"" |
| 28 | 153531 | | PULLEY.MAND.36/46 |
| 29 | 137266 | | SUB= 139729 |
| 30 | 136631 | | SUB= 532136631 |
| 31 | 17490508 | | SCREW LT |
| 32 | 122051X | | "SUPT,IDLER ARM" |
| 33 | 131560 | | SUB= 532131560 |
| 36 | 121980X | | HINGE ROD |
| 37 | 123713X | | SPRING TORSION |
| 38 | 105304X | | CAP-SLEEVE LT |
| 39 | 19111016 | | WASHER |
| 40 | 110452X | | NUT PUSH M |
| 41 | 131264 | | V-BELT.PRIM.78.5. |
| 42 | 19171616 | | WASHER |
| 43 | 3146R | | RETAINER.SPRING |
| 44 | 140608 | | KEEPER BELT LH |
| 45 | 110485X | | BEARING |
| 46 | 128774 | | HSG ASM MANDREL |
| 47 | 129895 | | BEARING.BALL |
| 48 | 137645 | | SUB= 137646 |
| 49 | 133943 | | HARDENED WASHER |
| 62 | 153390 | | WASHER.FELT. |
| | 130794 | | MANDREL ASM |
| | 156866 | | "DECK SERVICE.36"" |

TRACTOR - MODEL NUMBER WZ1236B

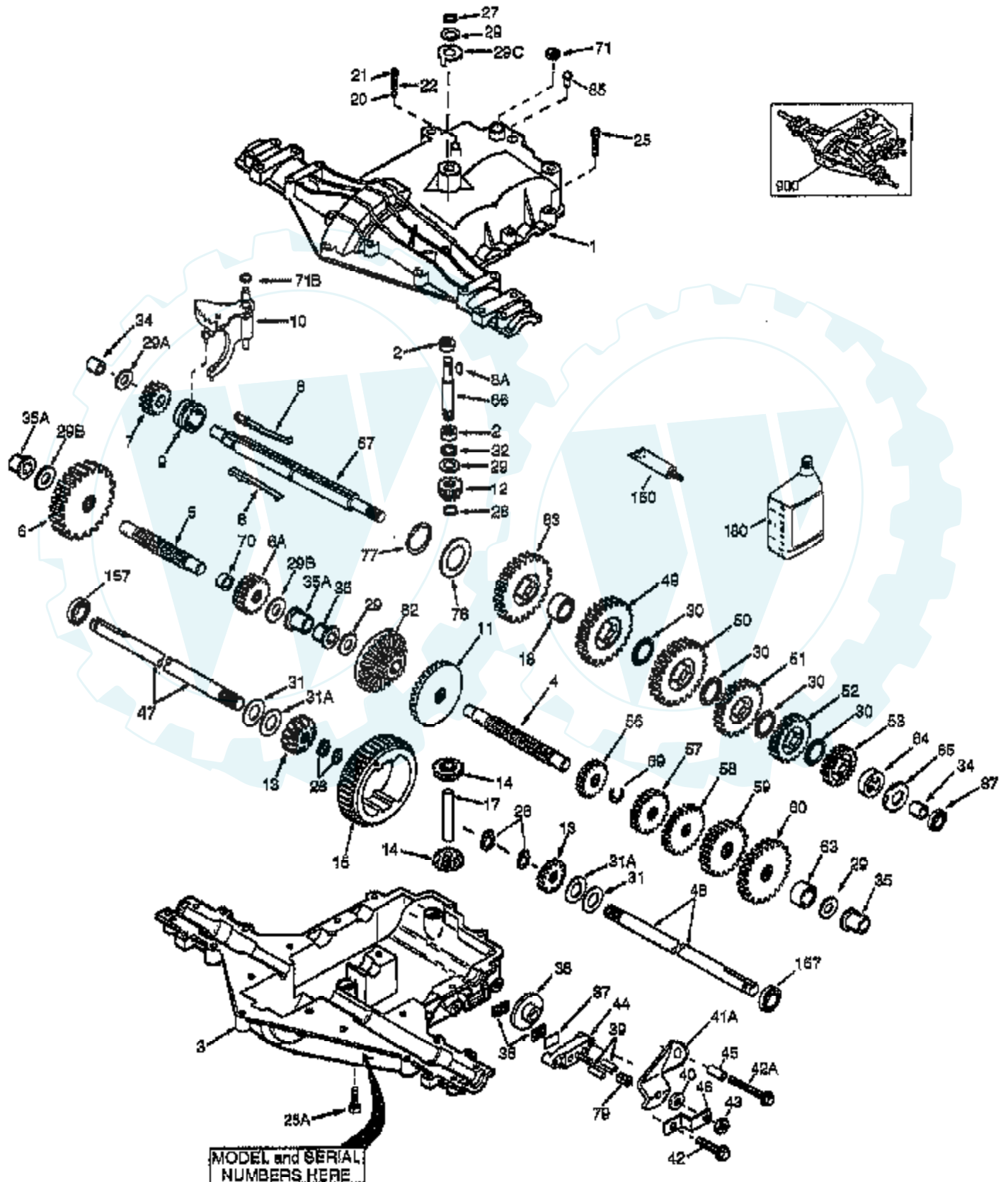
MOWER LIFT LEVER



| Ref # | Part Number | Qty | Description |
|-------|-------------|-----|---------------------|
| 1 | 126470X | | "CLIP,INSULATOR" |
| 2 | 122018X | | BRKT CLUTCH |
| 3 | 71110408 | | BOLT HXHD FIN |
| 4 | 73680600 | | SUB= 73690600 |
| 5 | 145187 | | LEVER.ASM.CLUTCH |
| 6 | 106451X | | "BOLT, SHOULDER LT" |
| 7 | 135371 | | MWR CLUTCH ARM AS |
| 8 | 74760636 | | BOLT |
| 9 | 121930X | | "BELLCRANK,LIFT" |
| 10 | 76020412 | | COTTER PIN |
| 11 | 19131316 | | WASHER |
| 12 | 131861 | | SUB= 532131861 |
| 13 | 139352 | | HANDLE.ASM.LIFT |
| 14 | 123496X | | SPRING COMPRESSIO |
| 15 | 19131212 | | WASHER T |
| 16 | 4921H | | SPRING.RETAINER |
| 17 | 127359 | | "LINK,LIFT FRT" |
| 18 | 142028 | | TRUNION ADJ |
| 19 | 73680400 | | SUB= 73690400 |
| 20 | 74760644 | | BOLT |
| 23 | 76020416 | | PIN COTTER 1/8 |
| 24 | 19171612 | | WASHER GT |
| 25 | 121933X | | TUBE SPACER |
| 26 | 141470 | | ROD LIFT MOWER |
| 27 | 106932X | | KNOB T(3/8 HOLE) |
| 28 | 76020312 | | SUB= 3145 |
| 29 | 131655 | | CLUTCH LINK |
| 30 | 73350600 | | NUT |
| 31 | 19132012 | | WASHER |

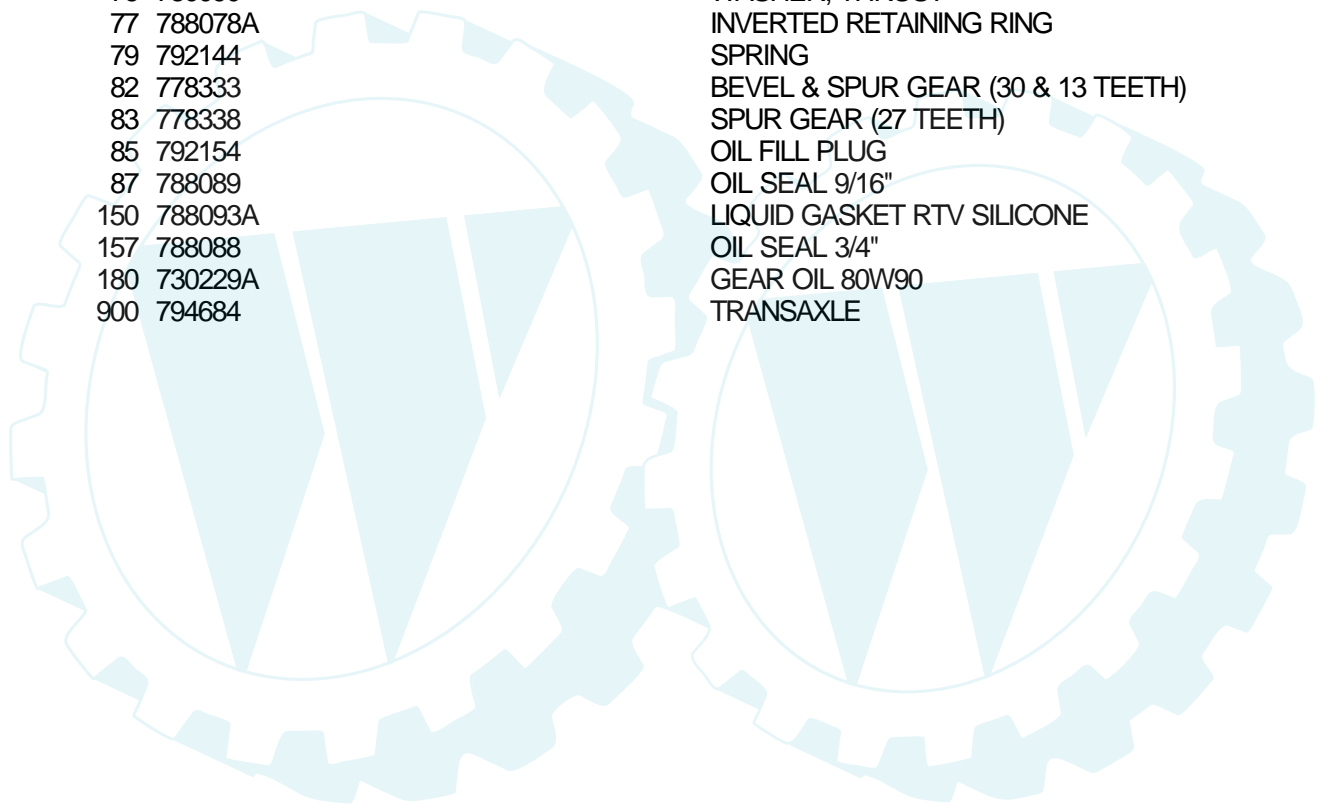
TRACTOR - MODEL NUMBER WZ1236B

PEERLESS TRANSAXLE - MODEL NUMBER 205-507B



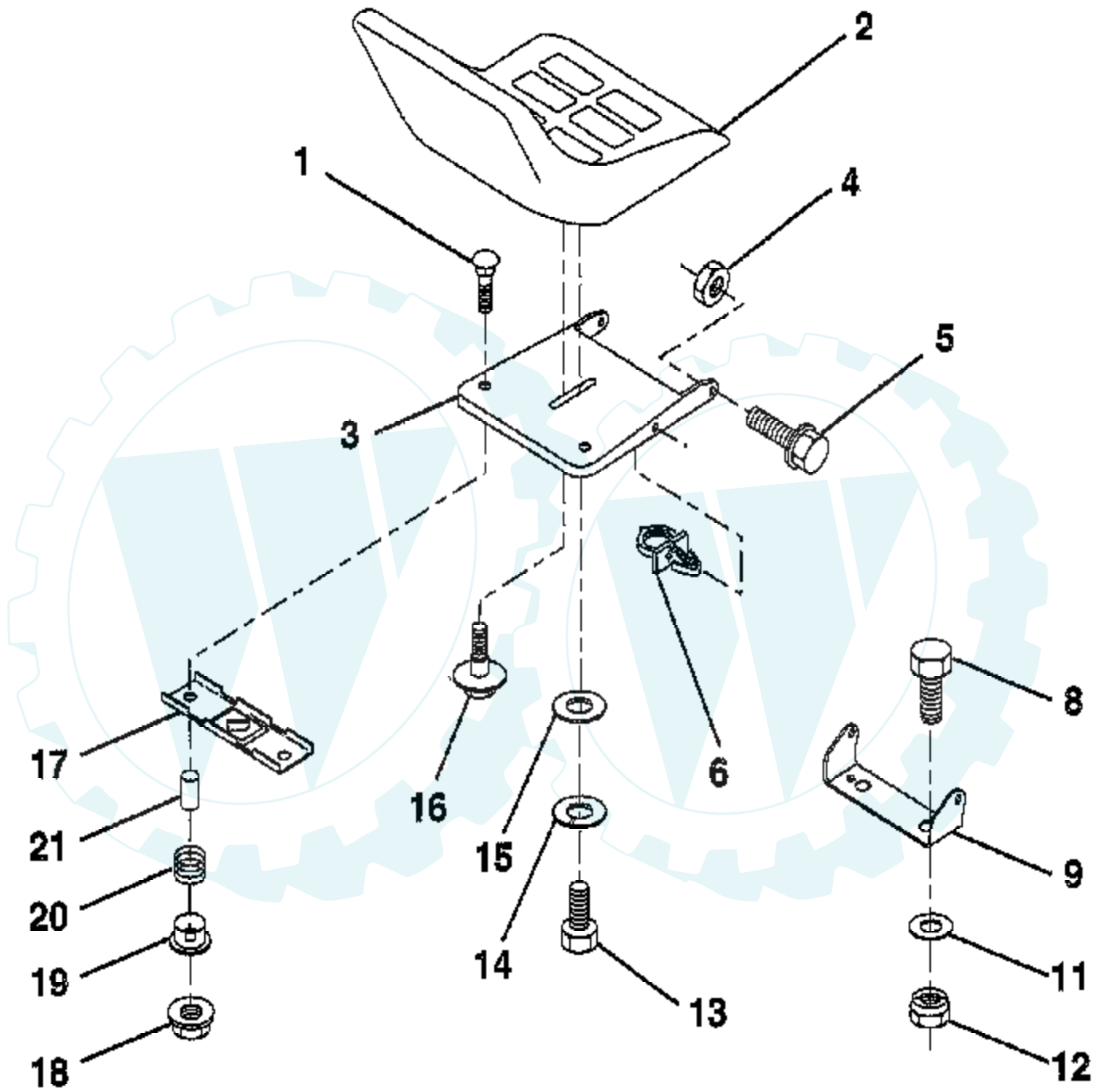
| Ref # | Part Number | Qty | Description |
|-------|-------------|-----|------------------------------------|
| 1 | 772147 | | TRANSAXLE COVER |
| 2 | 780086A | | NEEDLE BEARING 5/8" ID |
| 3 | 770128 | | TRANSAXLE CASE |
| 4 | 776395 | | COUNTERSHAFT |
| 5 | 776409 | | OUTPUT SHAFT |
| 6 | 778364 | | SPUR GEAR (38 TEETH) |
| 6A | 778369 | | SPUR GEAR (15 TEETH) |
| 7 | 778330 | | SPUR GEAR (11 TEETH) |
| 8 | 792180 | | SHIFT KEY |
| 8A | 792047 | | KEY, WOODRUFF |
| 9 | 784352 | | COLLAR, SHIFTER |
| 10 | 784378 | | SHIFT ROD & FORK |
| 11 | 778334 | | BEVEL GEAR (30 TEETH) |
| 12 | 778309 | | INPUT BEVEL PINION (13TEETH) |
| 13 | 778368 | | BEVEL GEAR (13 TEETH) |
| 14 | 778367 | | BEVEL PINION (13 TEETH) |
| 15 | 778370 | | RING GEAR (43 TEETH) |
| 17 | 786188 | | DRIVE PIN |
| 18 | 786102 | | SPACER, NEUTRAL |
| 20 | 792077 | | BALL STEEL, 5/16" DIA. |
| 21 | 792078 | | SCREW, 3/8-16 X 3/8" |
| 22 | 792079 | | SPRING |
| 25 | 792073A | | SCREW |
| 25A | 792177 | | SCREW 1/4-20 X 1-3/8" |
| 26 | 792125 | | RING RETAINER |
| 27 | 792035 | | RING, RETAINER |
| 28 | 788040 | | RETAINING RING |
| 29 | 780072 | | WASHER THRUST |
| 29A | 780160 | | WASHER |
| 29B | 780051 | | WASHER THRUST |
| 29C | 780199 | | P/N CONFLICT - CHECK WITH SUPPLIER |
| 30 | 780108 | | WASHER THRUST |
| 31 | 780001 | | WASHER |
| 31A | 780195 | | FLAT WASHER |
| 32 | 788083 | | OIL SEAL 5/8" |
| 34 | 780194 | | BUSHING 9/16" |
| 35 | 780193 | | FLANGED BUSHING 5/8" ID |
| 35A | 780197 | | FLANGED BUSHING 3/4" |
| 36 | 790075 | | BRAKE DISC |
| 37 | 790007 | | PLATE BRAKE PAD |
| 38 | 799021 | | BRAKE PAD |
| 39 | 786026 | | PIN DOWEL |
| 40 | 792076A | | WASHER |
| 41A | 790079 | | BRAKE LEVER |
| 42 | 792073A | | SCREW |
| 42A | 792085A | | SCREW, 1/4-20 X 2-1/4 |
| 43 | 792075 | | LOCKNUT 5/16-24 |
| 44 | 790025 | | HOLDER BRAKE PAD |
| 45 | 786066 | | SPACER |
| 46 | 786086 | | BRKT BRAKE LEVER |
| 47 | 774690 | | AXLE |
| 48 | 774691 | | AXLE |
| 49 | 778356 | | SPUR GEAR (29 TEETH) |
| 50 | 778354 | | SPUR GEAR (23 TEETH) |
| 51 | 778352 | | SPUR GEAR (19 TEETH) |
| 52 | 778350 | | SPUR GEAR (16 TEETH) |
| 53 | 778346 | | SPUR GEAR (15 TEETH) |
| 56 | 778355 | | SPUR GEAR (11 TEETH) |

| Ref # | Part Number | Qty | Description |
|-------|-------------|-----|-----------------------------------|
| 57 | 778353 | | SPUR GEAR (17 TEETH) |
| 58 | 778351 | | SPUR GEAR (21 TEETH) |
| 59 | 778349 | | SPUR GEAR (24 TEETH) |
| 60 | 778345 | | SPUR GEAR (25 TEETH) |
| 63 | 786071 | | SPACER |
| 64 | 786072 | | SPACER |
| 65 | 780189 | | WASHER |
| 66 | 776422 | | INPUT SHAFT |
| 67 | 776396 | | SHIFTER & BRAKE SHAFT |
| 69 | 792170 | | RETAINING RING |
| 70 | 786187 | | SPACER .890 |
| 71 | 788069 | | SEAL SQUARE CUT |
| 71B | 788092 | | "O" RING |
| 76 | 780090 | | WASHER, THRUST |
| 77 | 788078A | | INVERTED RETAINING RING |
| 79 | 792144 | | SPRING |
| 82 | 778333 | | BEVEL & SPUR GEAR (30 & 13 TEETH) |
| 83 | 778338 | | SPUR GEAR (27 TEETH) |
| 85 | 792154 | | OIL FILL PLUG |
| 87 | 788089 | | OIL SEAL 9/16" |
| 150 | 788093A | | LIQUID GASKET RTV SILICONE |
| 157 | 788088 | | OIL SEAL 3/4" |
| 180 | 730229A | | GEAR OIL 80W90 |
| 900 | 794684 | | TRANSAXLE |

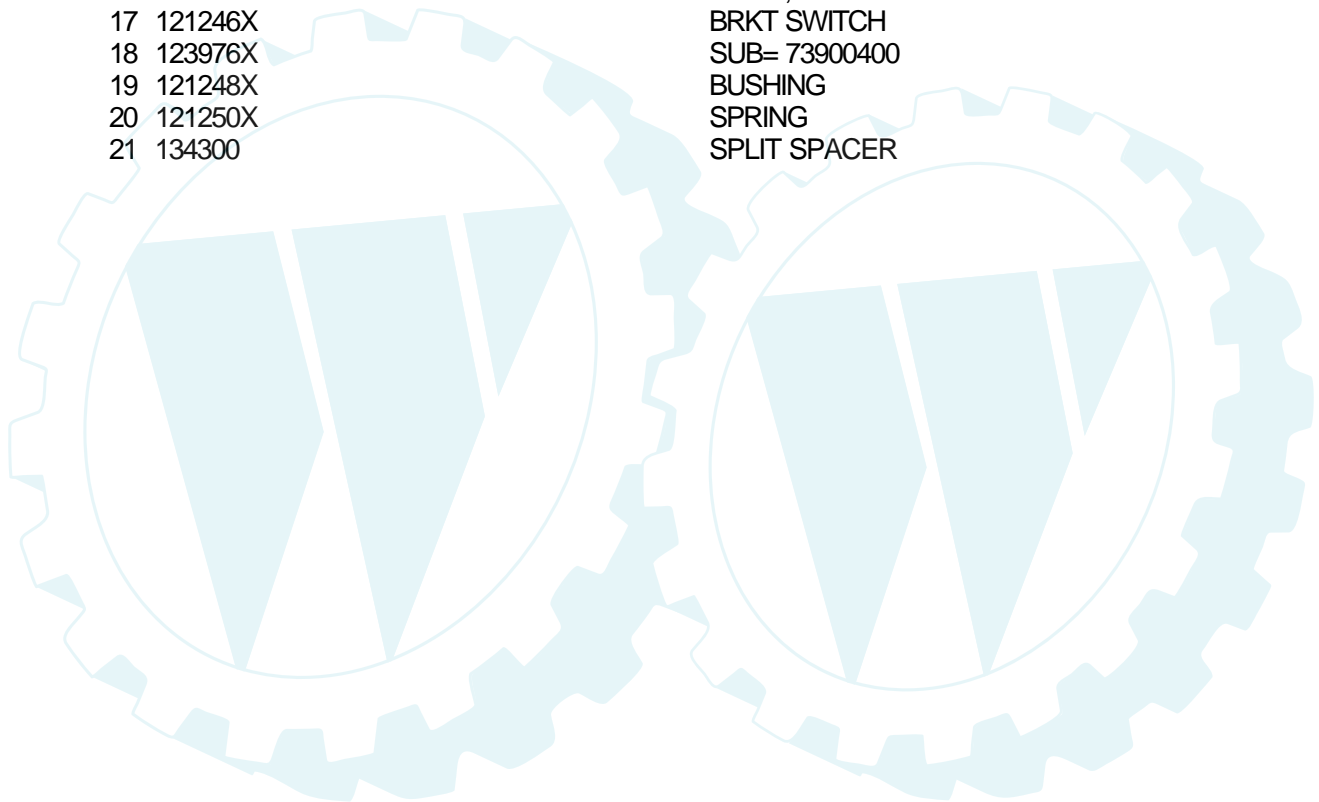


TRACTOR - MODEL NUMBER WZ1236B

SEAT

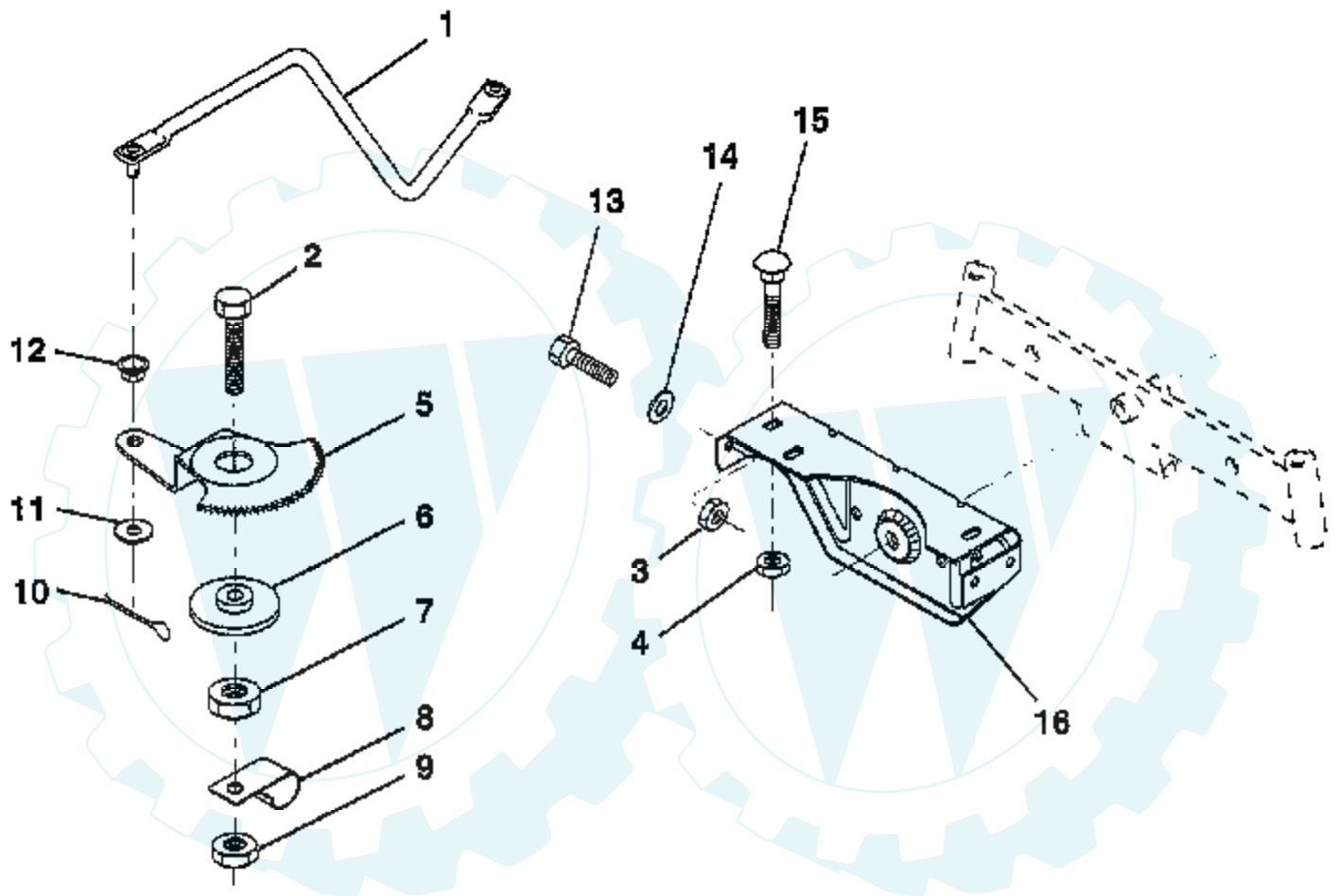


| Ref # | Part Number | Qty | Description |
|-------|-------------|-----|-------------------|
| 1 | 72050412 | | BOLT-RD HD SQ NK |
| 2 | 127426 | | SEAT |
| 3 | 155925 | | PAN-SEAT |
| 4 | 73800500 | | NUT |
| 5 | 153236 | | "BOLT,SHOULDER" |
| 6 | 145006 | | CLIP.PUSH-IN.HING |
| 8 | 74760616 | | BOLT |
| 9 | 140551 | | BRACKET PVT SEAT |
| 11 | 19133210 | | WASHER |
| 12 | 73800600 | | NUT |
| 13 | 74780814 | | BOLT |
| 14 | 10040800 | | LOCKWASHER |
| 15 | 19171912 | | WASHER |
| 16 | 127018X | | "BOLT,SHOULDER" |
| 17 | 121246X | | BRKT SWITCH |
| 18 | 123976X | | SUB= 73900400 |
| 19 | 121248X | | BUSHING |
| 20 | 121250X | | SPRING |
| 21 | 134300 | | SPLIT SPACER |

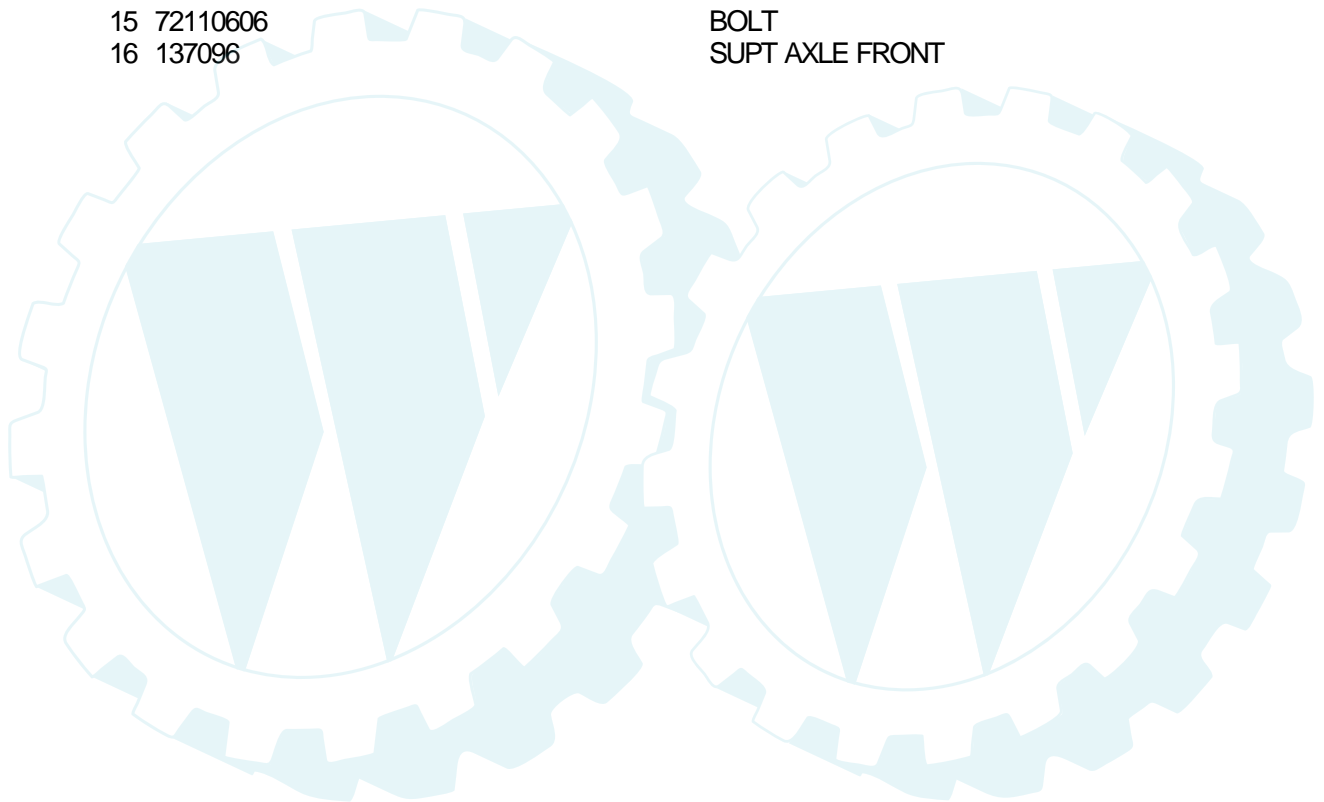


TRACTOR - MODEL NUMBER WZ1236B

SECTOR GEAR / AXLE SUPPORT

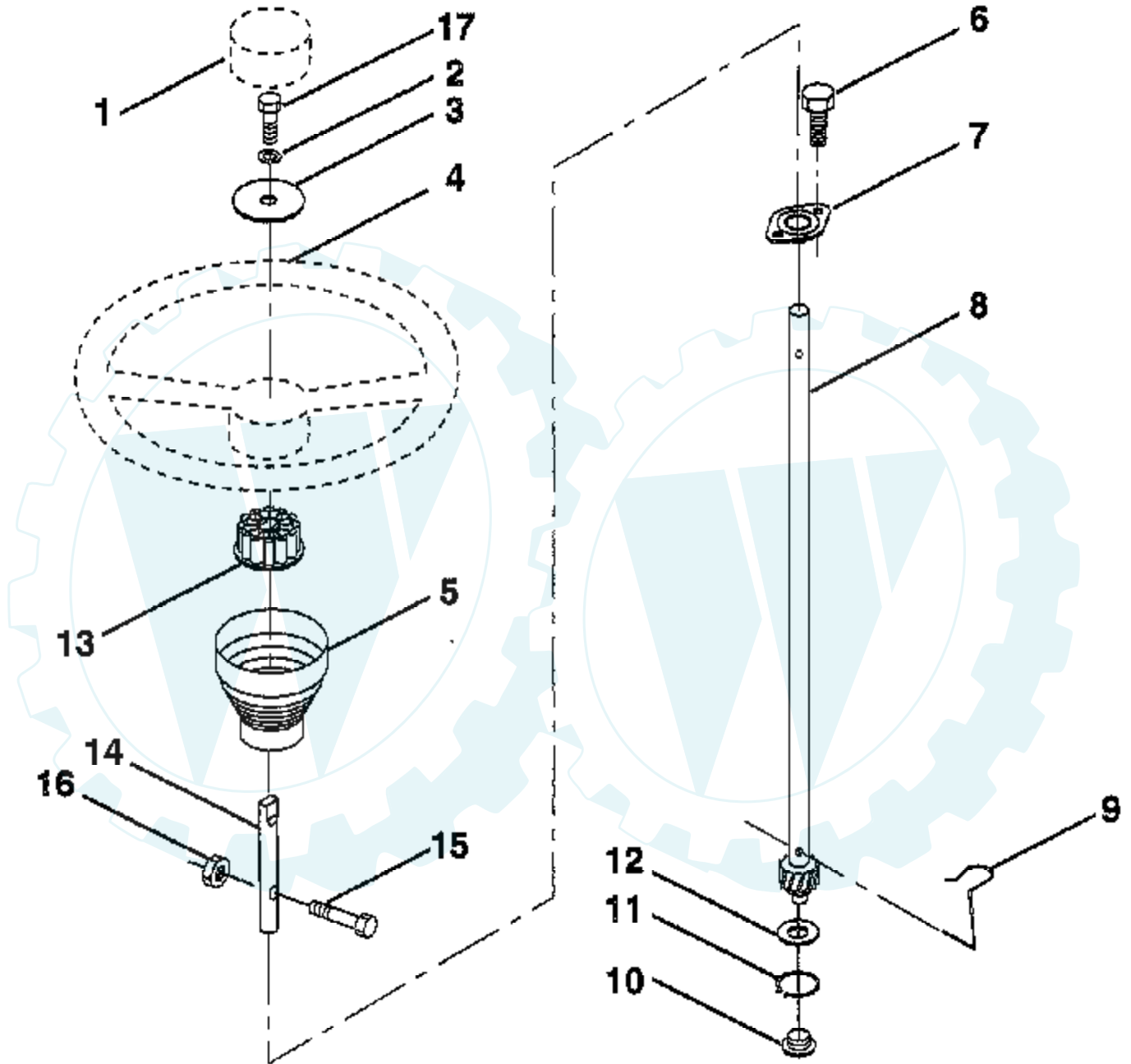


| Ref # | Part Number | Qty | Description |
|-------|-------------|-----|------------------|
| 1 | 132566 | | DRAG LINK |
| 2 | 74780828 | | "BOLT,HEX" |
| 3 | 73680500 | | SUB= 73690500 |
| 4 | 73680600 | | SUB= 73690600 |
| 5 | 121926X | | GEAR SECTOR |
| 6 | 121927X | | BUSHING |
| 7 | 73030800 | | NUT |
| 8 | 126472X | | CLIP INSULATOR |
| 9 | 73680800 | | NUT LTV |
| 10 | 76020412 | | COTTER PIN |
| 11 | 19131316 | | WASHER |
| 12 | 126847X | | BUSHING.DRAGLINK |
| 13 | 74760512 | | BOLT |
| 14 | 19111416 | | WASHER |
| 15 | 72110606 | | BOLT |
| 16 | 137096 | | SUPT AXLE FRONT |

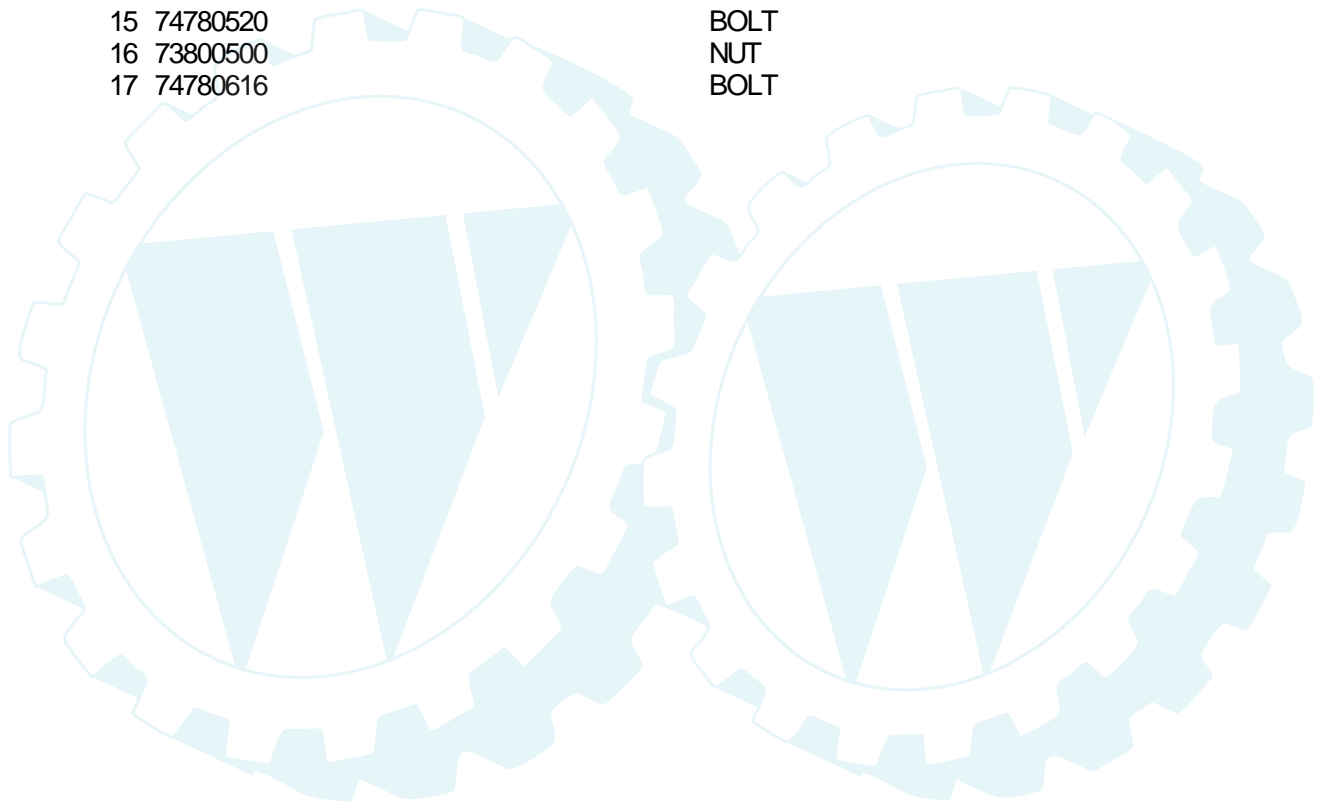


TRACTOR - MODEL NUMBER WZ1236B

STEERING WHEEL

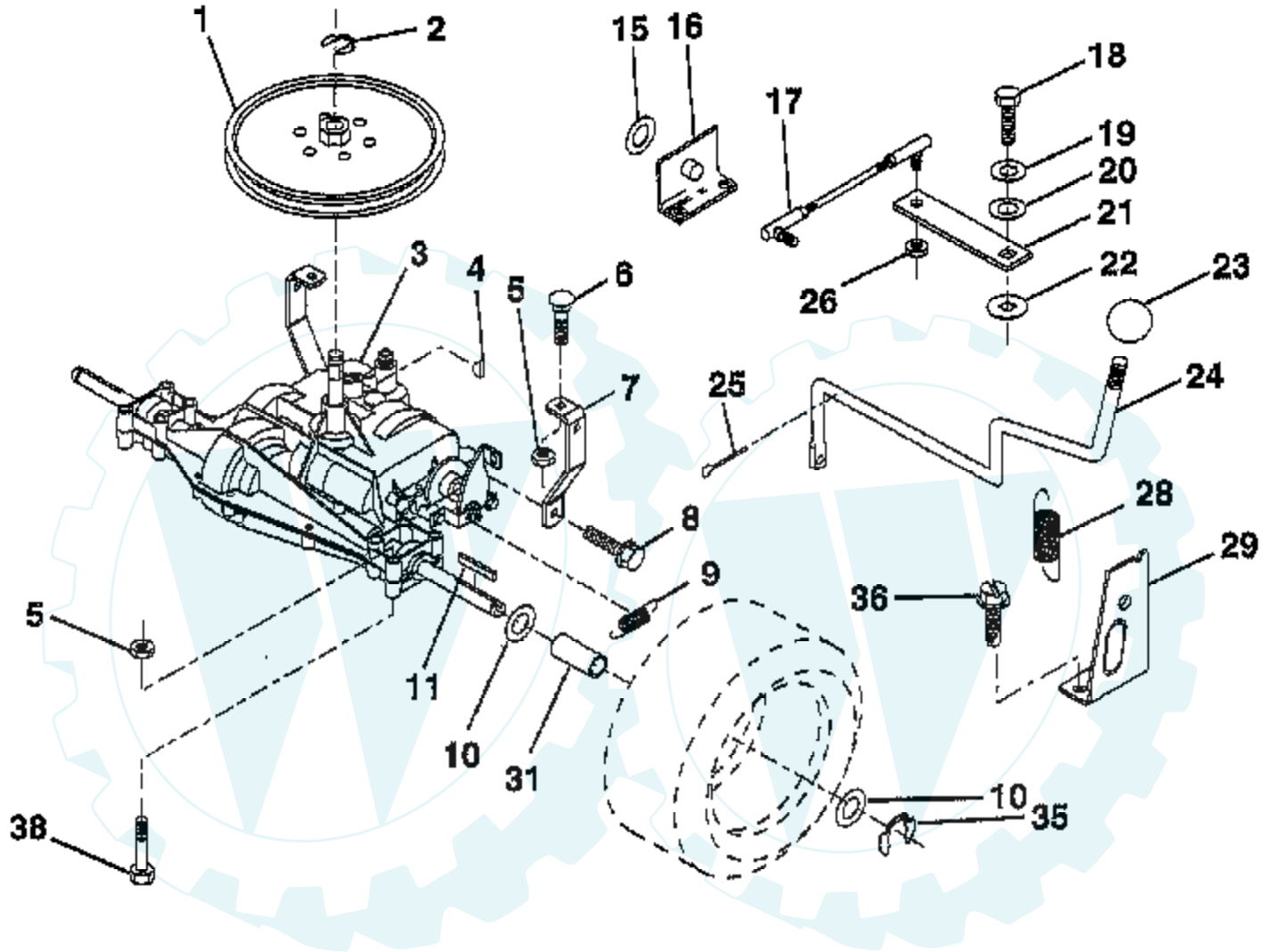


| Ref # | Part Number | Qty | Description |
|-------|-------------|-----|---------------------|
| 1 | 133742 | | ST WHL INSERT CAP |
| 2 | 10040600 | | LOCKWASHER |
| 3 | 19133808 | | WASHER T |
| 4 | 133741 | | SUB= 150547 |
| 5 | 121897X | | SLEEVE STEERING |
| 6 | 152927 | | "SCREW-TT,10-32 FL" |
| 7 | 155104 | | BUSHING.STR.623 |
| 8 | 147391 | | SHAFT.STEERING.LR |
| 9 | 124210X | | STEERING CLIP |
| 10 | 123438X | | BUSHING STEER LWR |
| 11 | 12000045 | | RING |
| 12 | 19211616 | | WASHER LT |
| 13 | 100711L | | ADAPTER LT |
| 14 | 153720 | | EXT SHAFT STEERIN |
| 15 | 74780520 | | BOLT |
| 16 | 73800500 | | NUT |
| 17 | 74780616 | | BOLT |



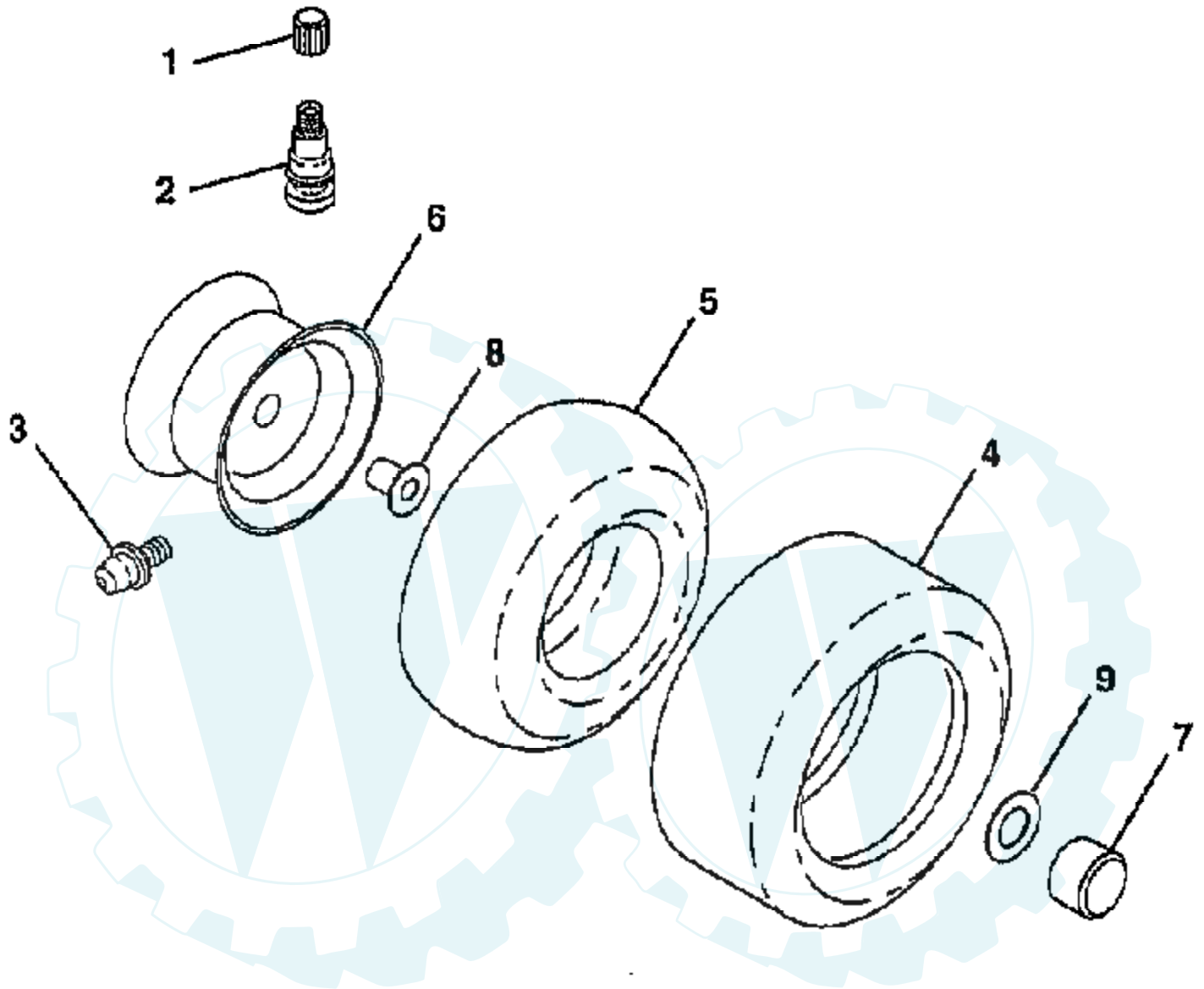
TRACTOR - MODEL NUMBER WZ1236B

TRANSAXLE



| Ref # | Part Number | Qty | Description |
|-------|-------------|-----|----------------------|
| 1 | 123385X | | PULLEY |
| 2 | 12000028 | | SUB= 2267J |
| 3 | PARTSIMAGE | | REFER TO PARTS IMAGE |
| 3 | SUPPLIER | | CHECK WITH SUPPLIER |
| 4 | 2228M | | SUB= 2228M1 |
| 5 | 73680500 | | SUB= 73690500 |
| 6 | 72140506 | | BOLT |
| 7 | 123378X | | "STRAP,TORQUE" |
| 8 | 17490512 | | SCREW |
| 9 | 146682 | | SPRING.BRAKE.RETU |
| 10 | 121749X | | WASHER |
| 11 | 123583X | | SQUARE KEY |
| 15 | 19171616 | | WASHER |
| 16 | 124600X | | "SUPT,HDLE SHT LH" |
| 17 | 126293X | | LINK SHIFT |
| 18 | 74550412 | | BOLT.1/4-28.W/PAT |
| 19 | 10040400 | | LOCKWASHER |
| 20 | 19091210 | | WASHER LT |
| 21 | 126292X | | ARM SHIFT |
| 22 | 105701X | | WASH-SHFT PLT LT |
| 23 | 106933X | | KNOB T (1/2-HOLE) |
| 24 | 128215 | | "ROD,SHIFT" |
| 25 | 76020416 | | PIN COTTER 1/8 |
| 26 | 73810500 | | NUT.LOCK.5/16-24 |
| 28 | 128085 | | "SPRING,EXT" |
| 29 | 128084 | | "SUPT,HDLE RH" |
| 31 | 137057 | | SPACER AXLE |
| 35 | 12000001 | | E-RING LT |
| 36 | 17720408 | | SCREW |
| 38 | 74490540 | | BOLT.HEX.FLGHD |

TIRES & WHEELS



| Ref # | Part Number | Qty | Description |
|-------|-------------|-----|--------------------------|
| 1 | 59192 | | VALVE CAP |
| 2 | 65139 | | VALVE STEM LT |
| 3 | 278H | | FITTING LT |
| 4 | 137422 | | SUB= 122073X |
| 4 | 132703 | | SUB= 532132703 |
| 5 | PARTSIMAGE | | REFER TO PARTS IMAGE |
| 5 | 59904 | | TUBE.5.3/4.5/6 |
| 5 | 8134H | | TUBE.16X6.5/7.5-8 |
| 6 | 137237X427 | | "RIM FRONT 6"" |
| 6 | 140325X427 | | "RIM ASM REAR 8"" |
| 7 | 104757X | | HUB CAP |
| 8 | 9040H | | "FLANGE, BEARING" |
| 9 | 121748X | | WASHER |
| | 144334 | | SEALANT.TIRE 10 OZ. TUBE |

