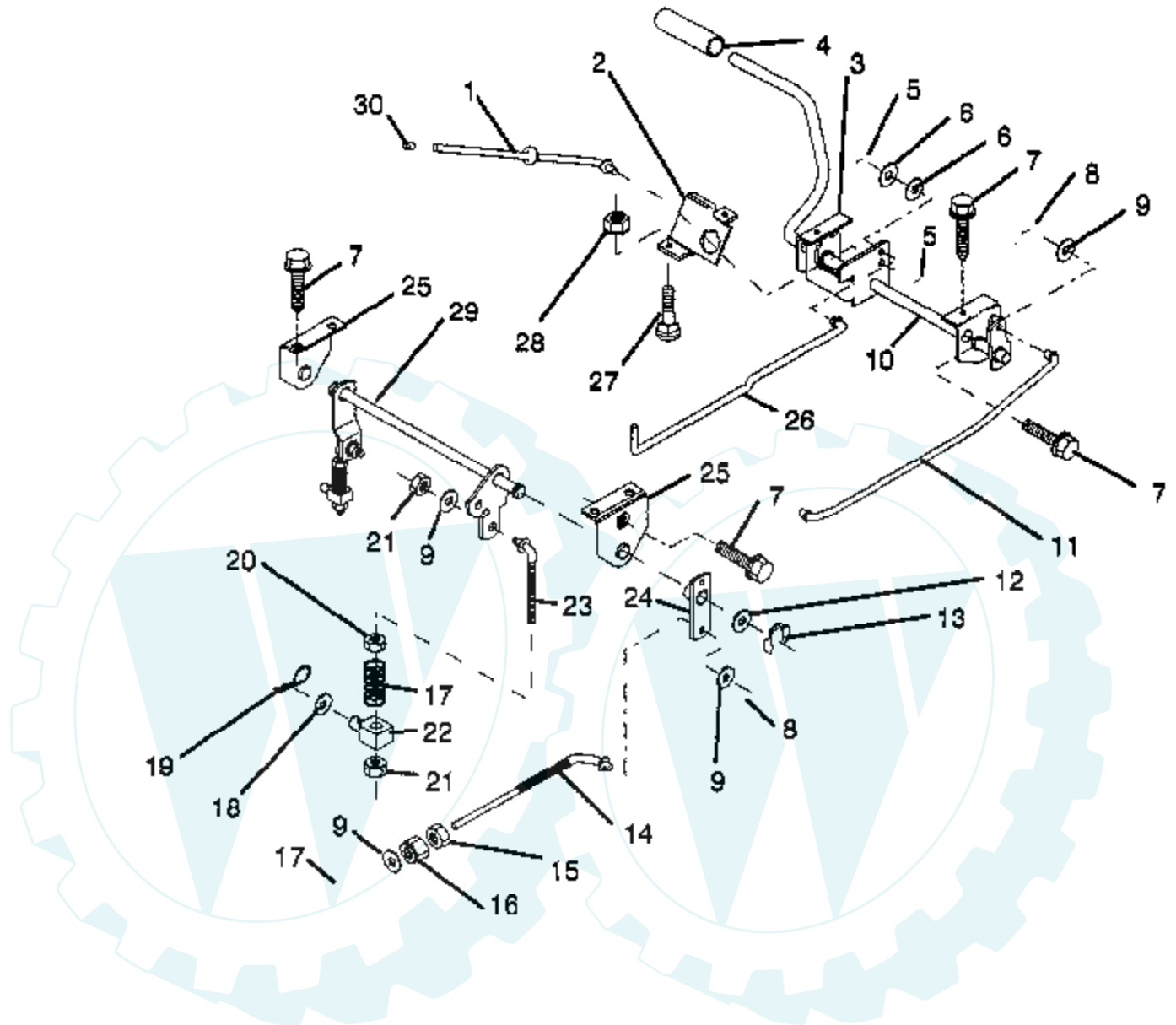
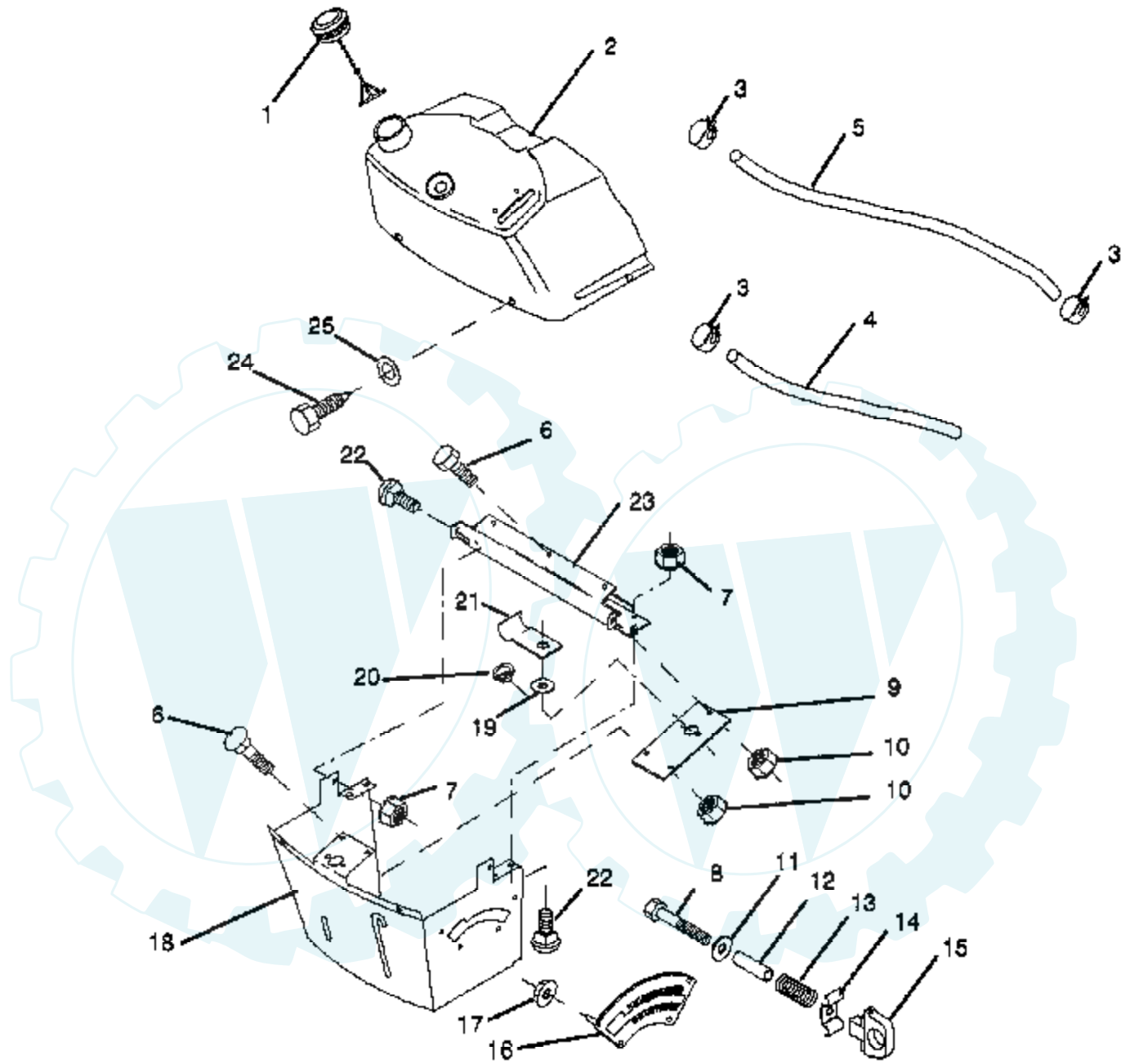


BRAKE / REAR MOWER LIFT ASSEMBLY

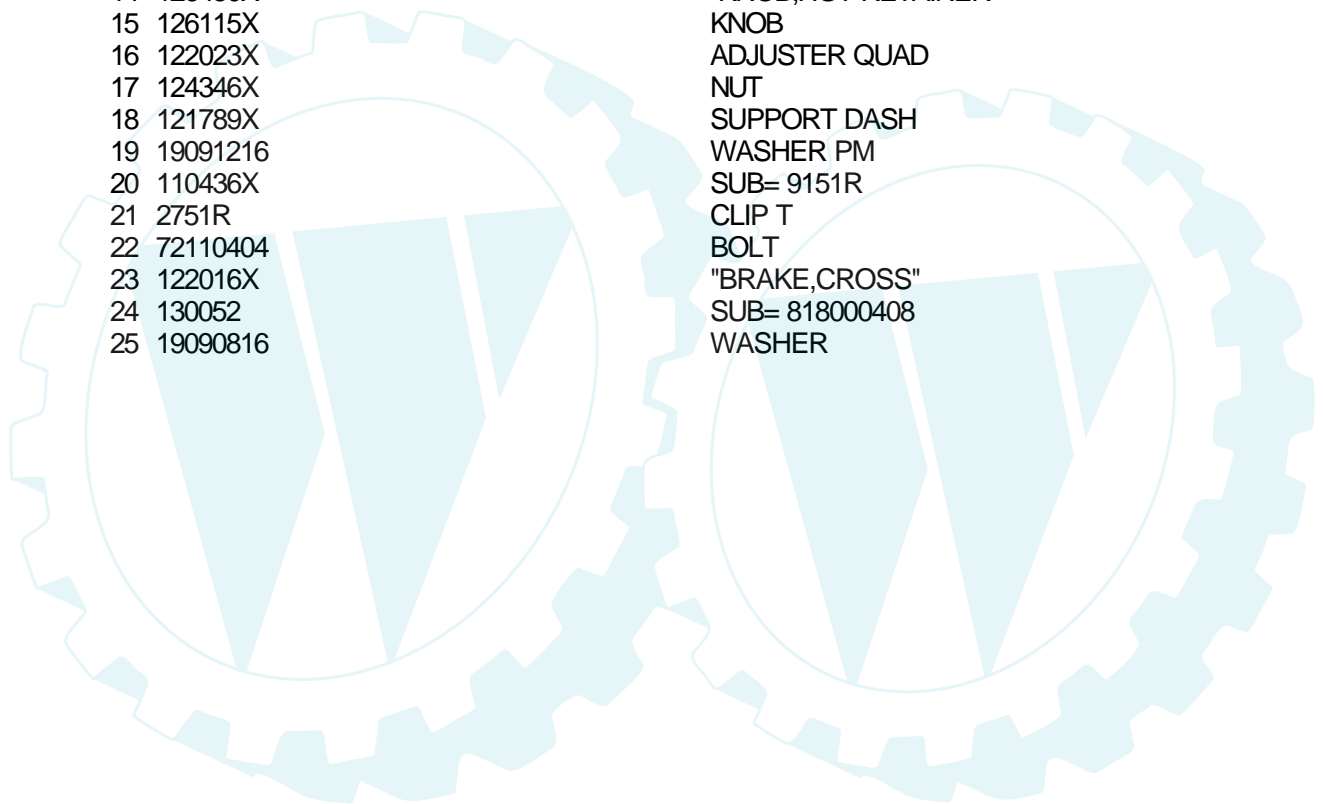


Ref #	Part Number	Qty	Description
1	123436X		"ROD,PARK BRAKE"
2	123437X		"BRKT,PARK BRAKE"
3	122504X		"BRKT,CLU PEDAL LH"
4	8883R		PEDAL COVER T
5	76020312		SUB= 3145
6	19131016		WASHER
7	17490508		SCREW LT
8	76020412		COTTER PIN
9	19131316		WASHER
10	124145X		SUB= 139933
11	123543X		"ROD,FRT BRAKE"
12	19251816		WASHER T
13	12000034		KLIP RING
14	126759X		SUB= 131461
15	73350600		NUT
16	73800600		NUT
17	106888X		SPRING ROD LT
18	19132012		WASHER
19	4921H		SPRING.RETAINER
20	73930600		LOCKNUT
21	73680600		SUB= 73690600
22	106204X		SUB= 132793
23	123672X		"LINK.LIFT.3.5"'"
24	123641X		BRAKE PIVOT ARM
25	121978X		"BRKT,LIFT SHAFT"
26	123394X		"ROD,CLUTCH"
27	72110506		SUB= 72270506
28	73510500		NUT
29	123547X		REAR MOWER LIFT
30	71673		PLUNGER CAP T

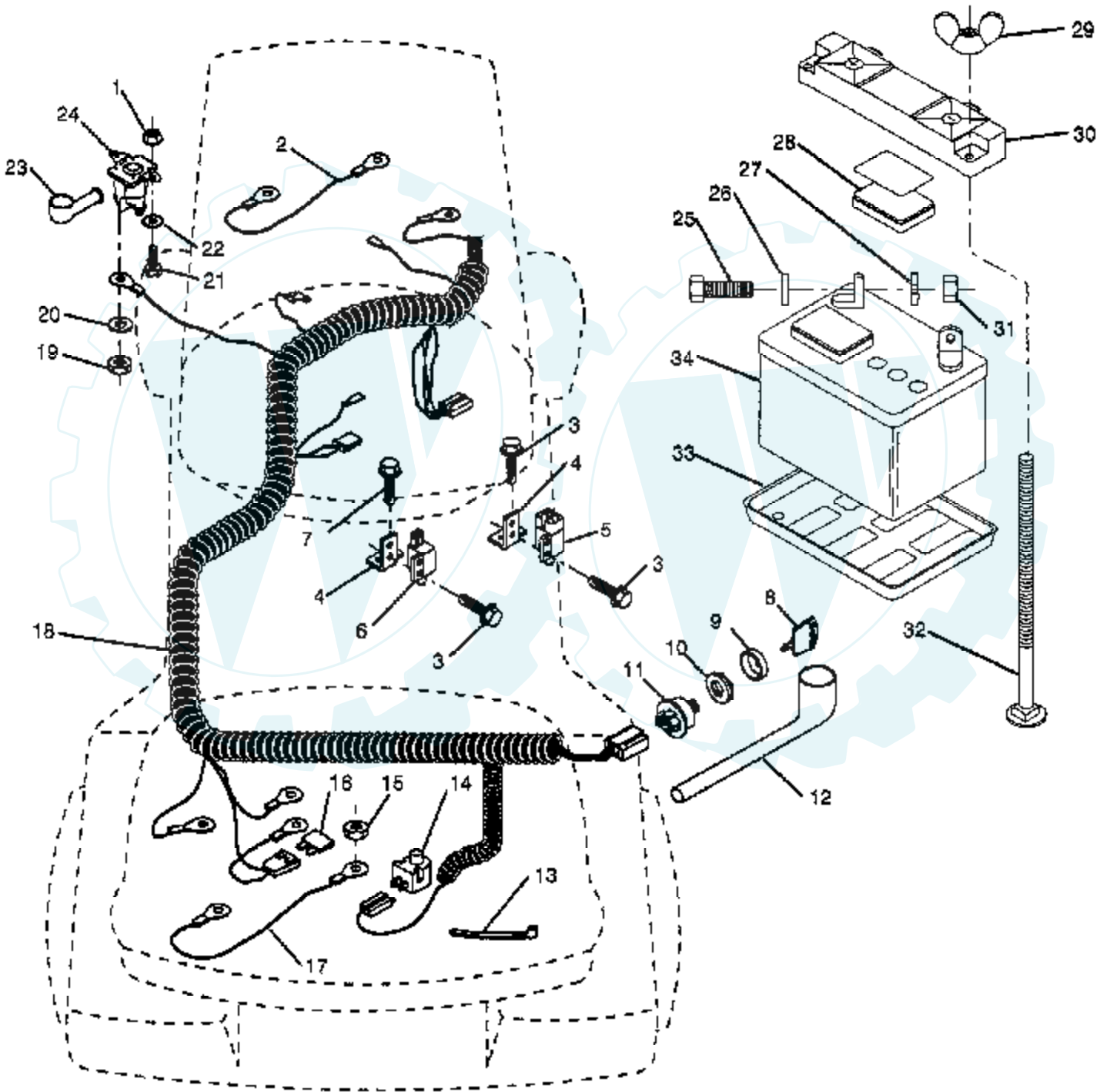
DASH



Ref #	Part Number	Qty	Description
1	122015X		SUB= 141523
2	123986X		SUB= 138393
3	123487X		HOSE CLAMP
4	8548R		FUEL LINE T
5	8544R		SUB= 295J
6	74780412		SUB= 74780414
7	73510400		NUT
8	74760432		BOLT
9	130051		"PLATE,SUPT "
10	73690400		LOCKNUT
11	19091413		WASHER
12	121249X		SPACER SPLIT
13	3720R		SPRING M
14	126450X		"KNOB,HGT RETAINER"
15	126115X		KNOB
16	122023X		ADJUSTER QUAD
17	124346X		NUT
18	121789X		SUPPORT DASH
19	19091216		WASHER PM
20	110436X		SUB= 9151R
21	2751R		CLIP T
22	72110404		BOLT
23	122016X		"BRAKE,CROSS"
24	130052		SUB= 818000408
25	19090816		WASHER

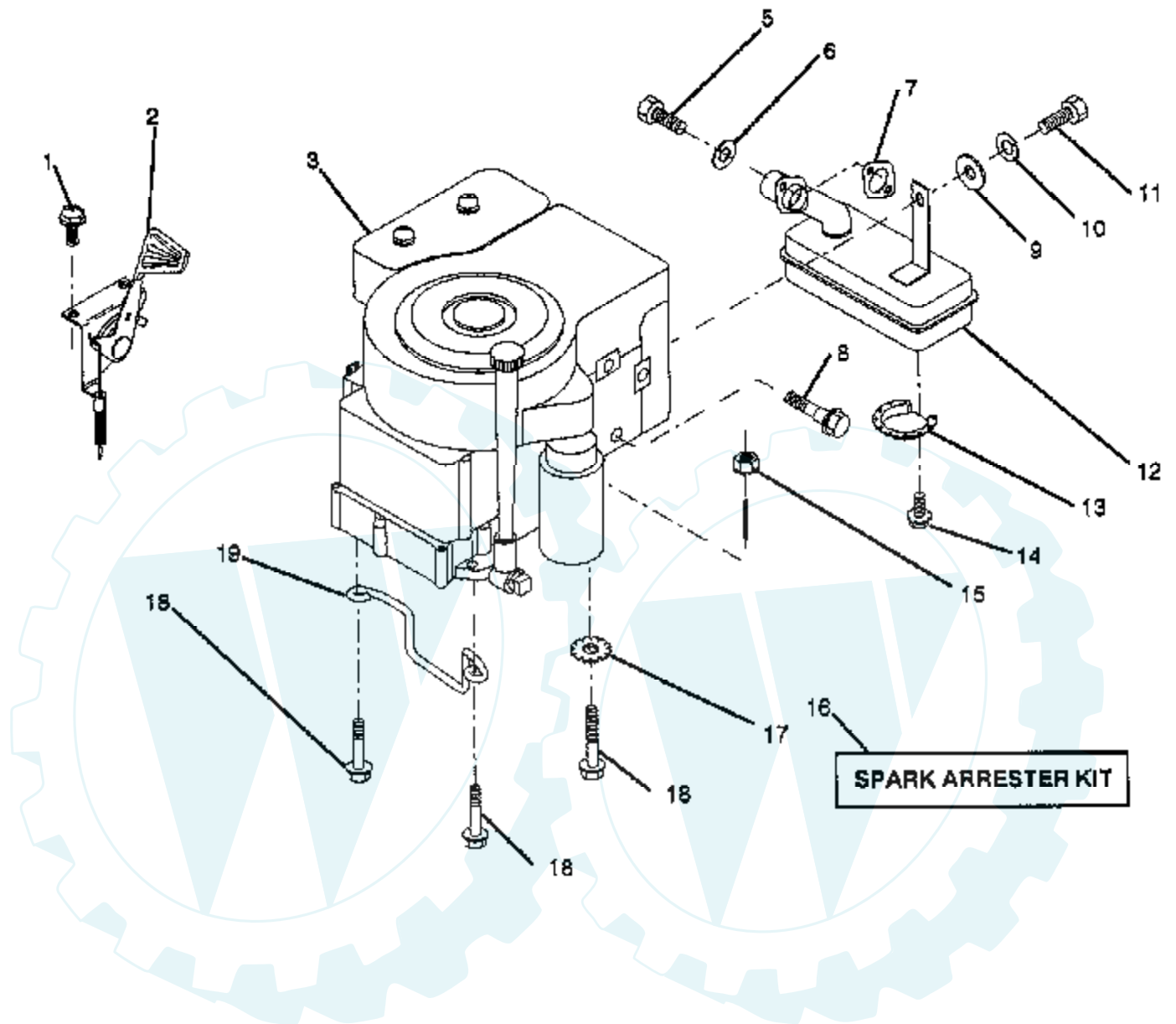


ELECTRICAL

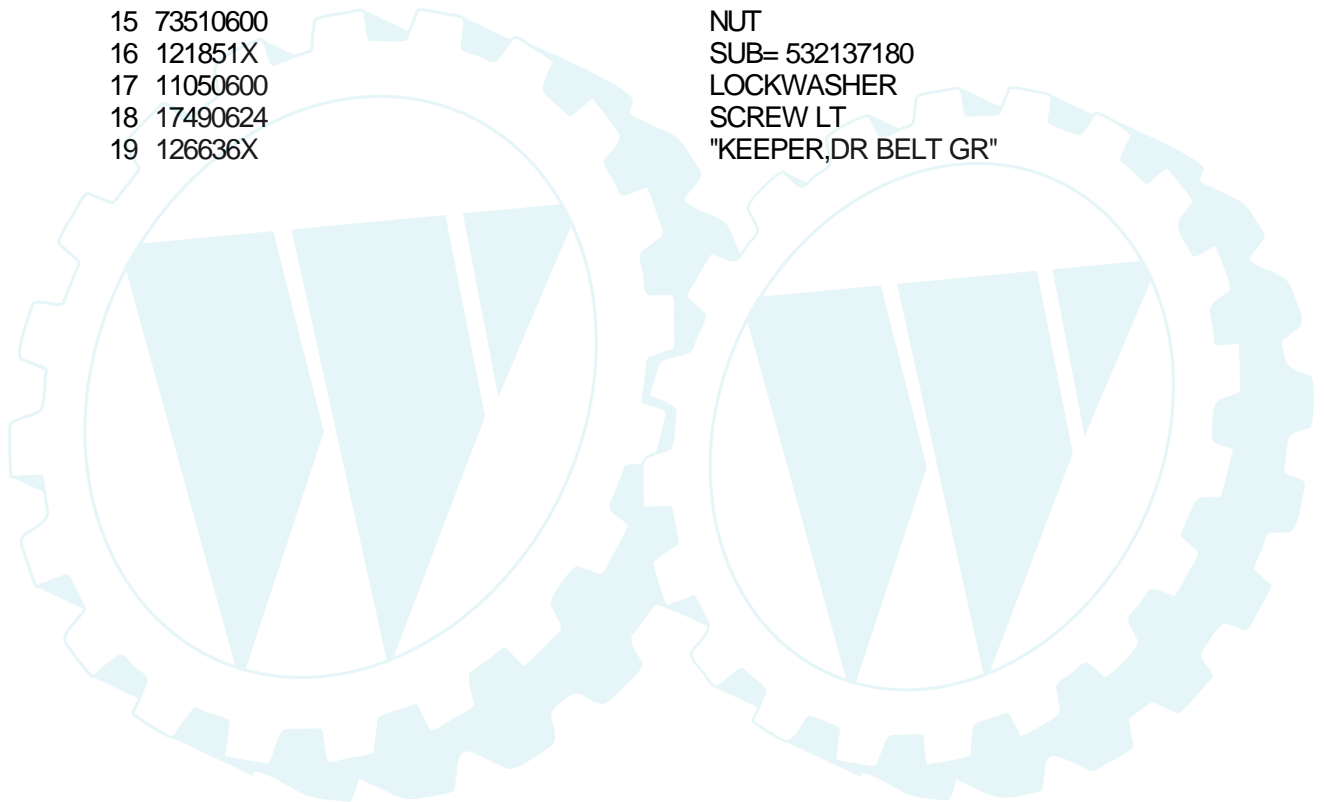


Ref #	Part Number	Qty	Description
1	73510400		NUT
2	105002X		CABLE LTV
3	17021008		SCREW
4	108236X		BRACKET LT
5	109553X		SWITCH INTERLOCKT
6	104445X		SWITCH-INTER. GT
7	17211008		SCREW
8	122147X		KEY
9	123620X		SUB= 141226
10	124211X		NUT IGNITION
11	4406R		SUB= STD365402
12	124083X		COVER IGNITION SW
13	7192J		WIRE TIE
14	121305X		SWITCH SEAT
15	73510500		NUT
16	108824X		FUSE HYT
17	596J		SUB= 2955J
18	123703X		HARNESS IGNITION
19	73350400		NUT
20	10090400		SUB= 10040400
21	74780408		BOLT
22	11050400		LOCKWASHER
23	719J		SUB= 154336
24	109081X		SUB= 146154
25	74760412		BOLT LT
26	19091016		WASHER
27	10040400		LOCKWASHER
28	121264X		"CAP,BATTERY "
29	123198X		SUB= 146525
30	102476X		SUB= 150109
31	73220400		SUB= 50675
32	72240460		BOLT
33	7603J		"TRAY T, BATTERY"
34	121265X		SUB= 123899X
	127661X		SUB= 127661
	MS-9811		OPERATING AND MAINTENANCE MANUAL
	129896		PARTS MANUAL
	101539X		SHEET INSTR LT

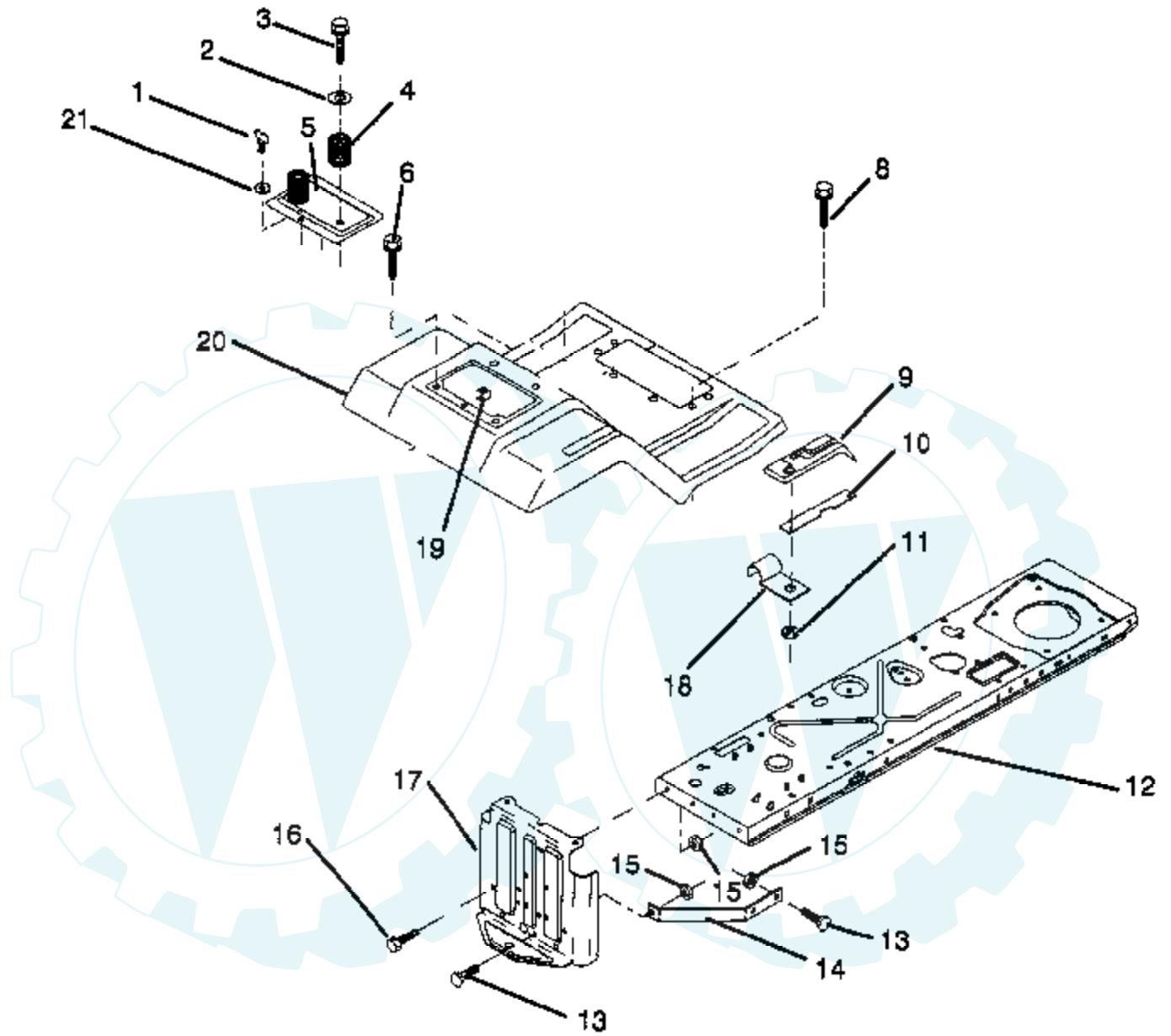
ENGINE / THROTTLE



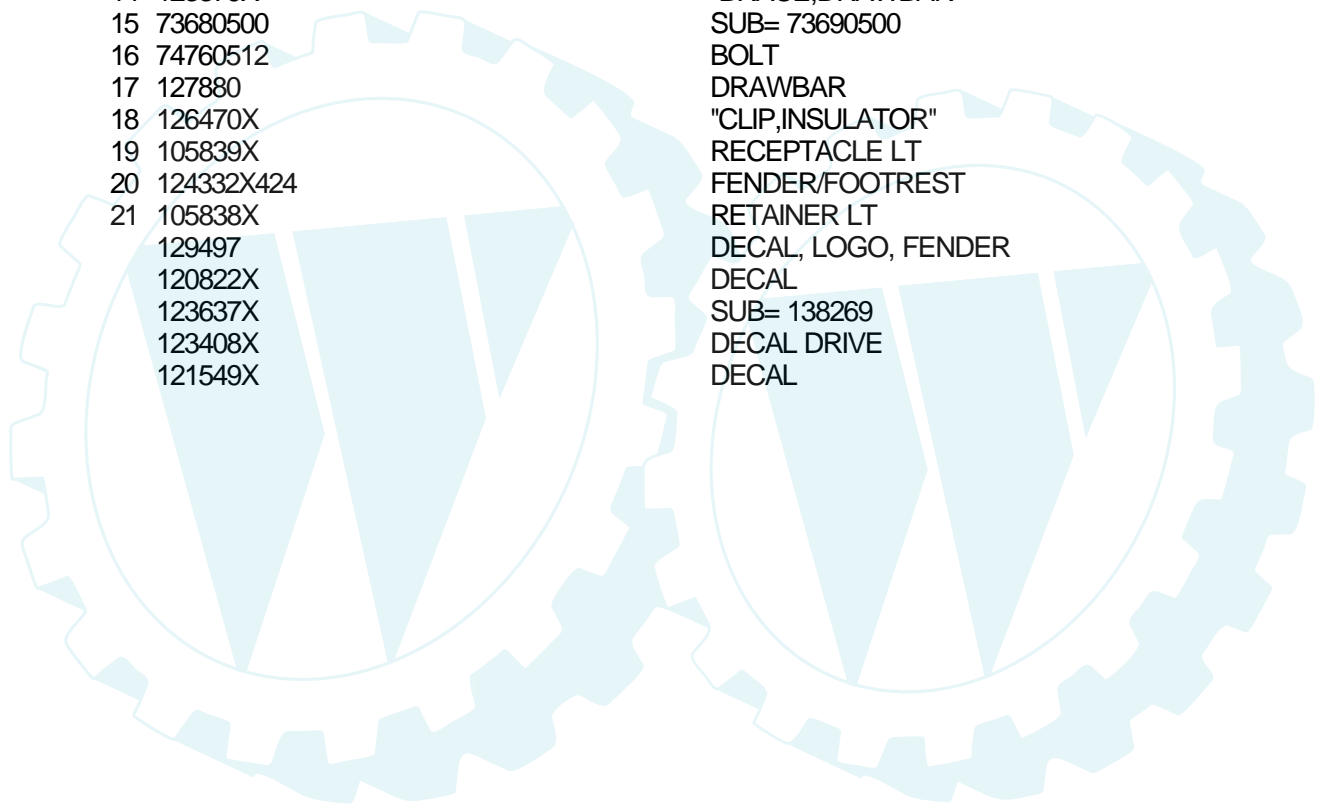
Ref #	Part Number	Qty	Description
1	17720408		SCREW
2	122014X		SUB= 132752
3	129592		ENGINE, BRIGGS AND STRATON
4	108761X		DECAL
5	71070512		SCREW
6	10040500		LOCKWASHER
7	125593X		SUB= 272293
8	121094X		BOLT T
9	19101216		WASHER
10	10040400		LOCKWASHER
11	74780412		SUB= 74780414
12	124097X		MUFFLER
13	101326L		DEFLECTOR.222573
14	17030808		SUB= 17030814
15	73510600		NUT
16	121851X		SUB= 532137180
17	11050600		LOCKWASHER
18	17490624		SCREW LT
19	126636X		"KEEPER,DR BELT GR"



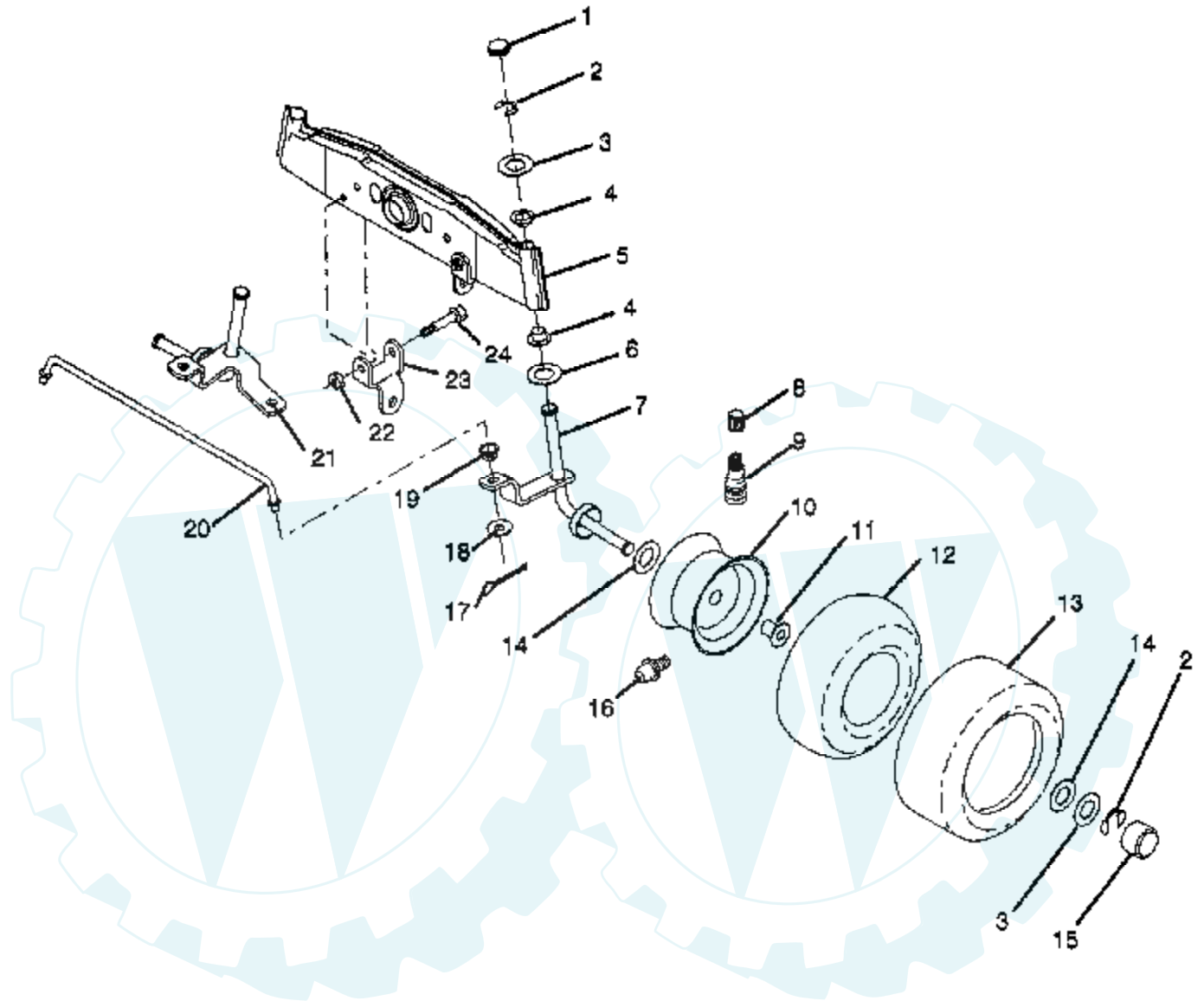
FENDER / CHASSIS



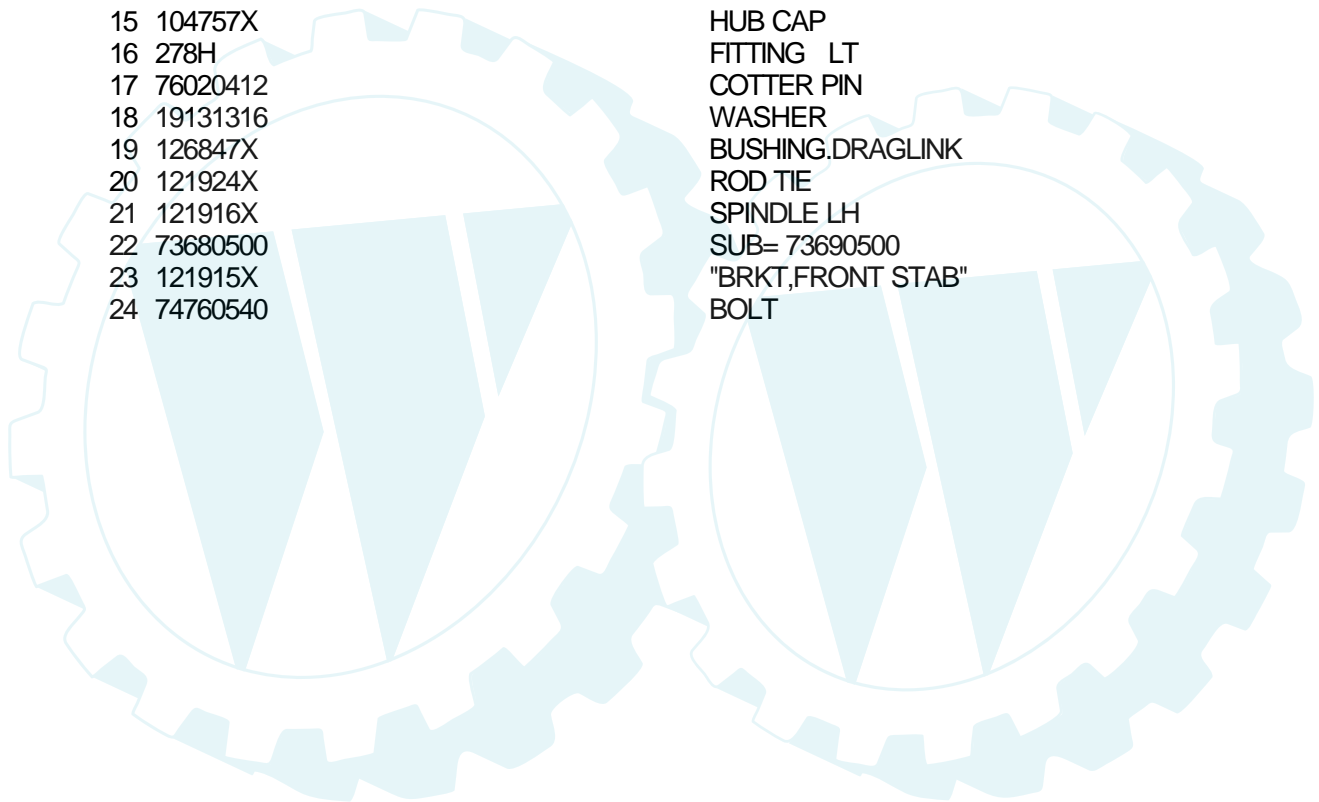
Ref #	Part Number	Qty	Description
1	123650X		STUD.1/4.TURN
2	19132012		WASHER
3	17490612		SCREW
4	124181X		SPRING COMPRESSIO
5	122008X424		"DOOR,FENDER"
6	17490508		SCREW LT
7	124144X		PAD FOOTREST
8	17490512		SCREW
9	126996X		CONSOLE SHIFT
10	124602X		SUB= 139783
11	124346X		NUT
12	123645X		FRAME ASS'Y
13	72140506		BOLT
14	123379X		"BRACE,DRAWBAR "
15	73680500		SUB= 73690500
16	74760512		BOLT
17	127880		DRAWBAR
18	126470X		"CLIP,INSULATOR"
19	105839X		RECEPTACLE LT
20	124332X424		FENDER/FOOTREST
21	105838X		RETAINER LT
	129497		DECAL, LOGO, FENDER
	120822X		DECAL
	123637X		SUB= 138269
	123408X		DECAL DRIVE
	121549X		DECAL



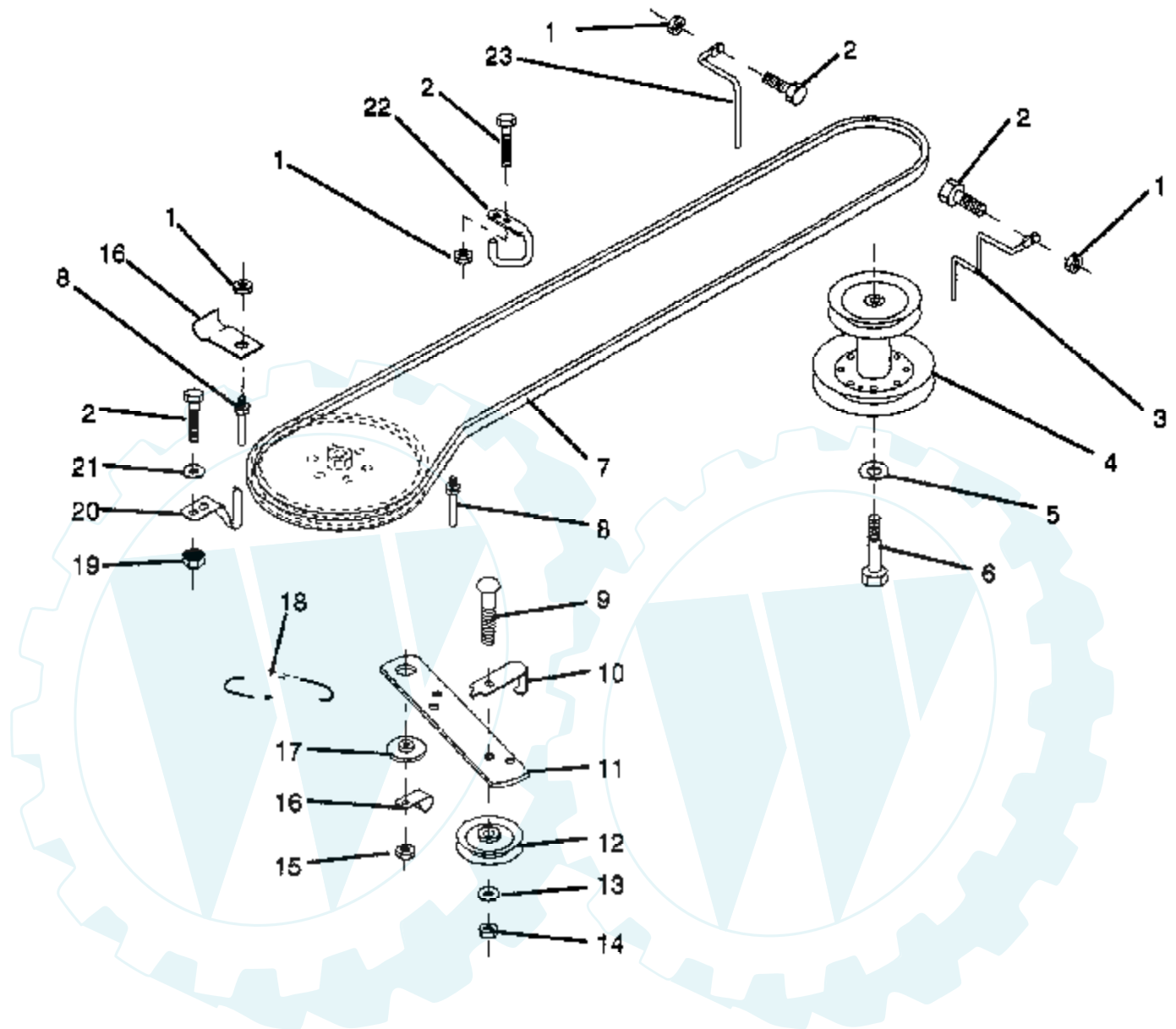
FRONT AXLE



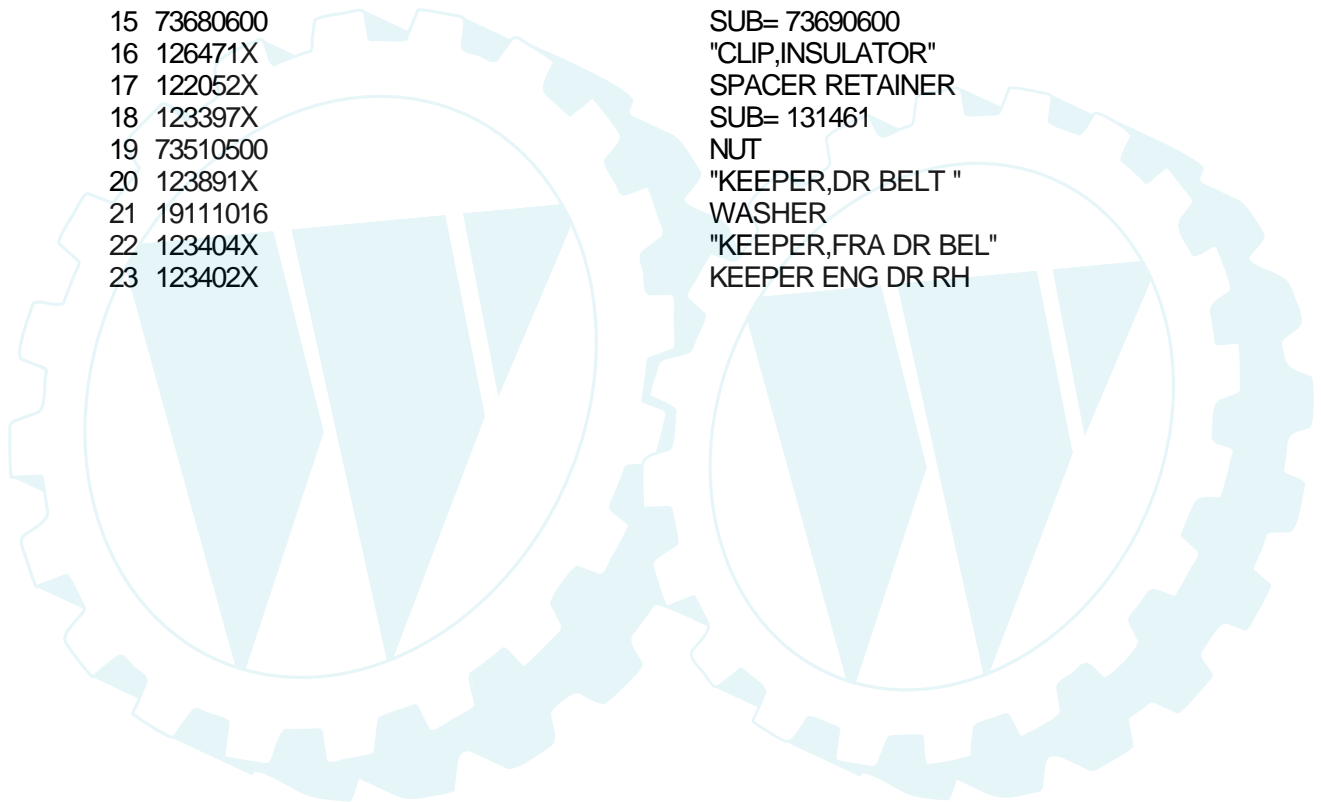
Ref #	Part Number	Qty	Description
1	121232X		CAP
2	12000029		RING
3	121748X		WASHER
4	121922X		NYLINER
5	121914X		AXLE FRONT
6	6266H		WASHER .T
7	121919X		SPINDLE RH
8	59192		VALVE CAP
9	65139		VALVE STEM LT
10	122394X361		SUB= 137237X417
11	9040H		"FLANGE, BEARING"
12	59904		TUBE.5.3/4.5/6
13	123410X		TIRE
14	121749X		WASHER
15	104757X		HUB CAP
16	278H		FITTING LT
17	76020412		COTTER PIN
18	19131316		WASHER
19	126847X		BUSHING.DRAGLINK
20	121924X		ROD TIE
21	121916X		SPINDLE LH
22	73680500		SUB= 73690500
23	121915X		"BRKT,FRONT STAB"
24	74760540		BOLT



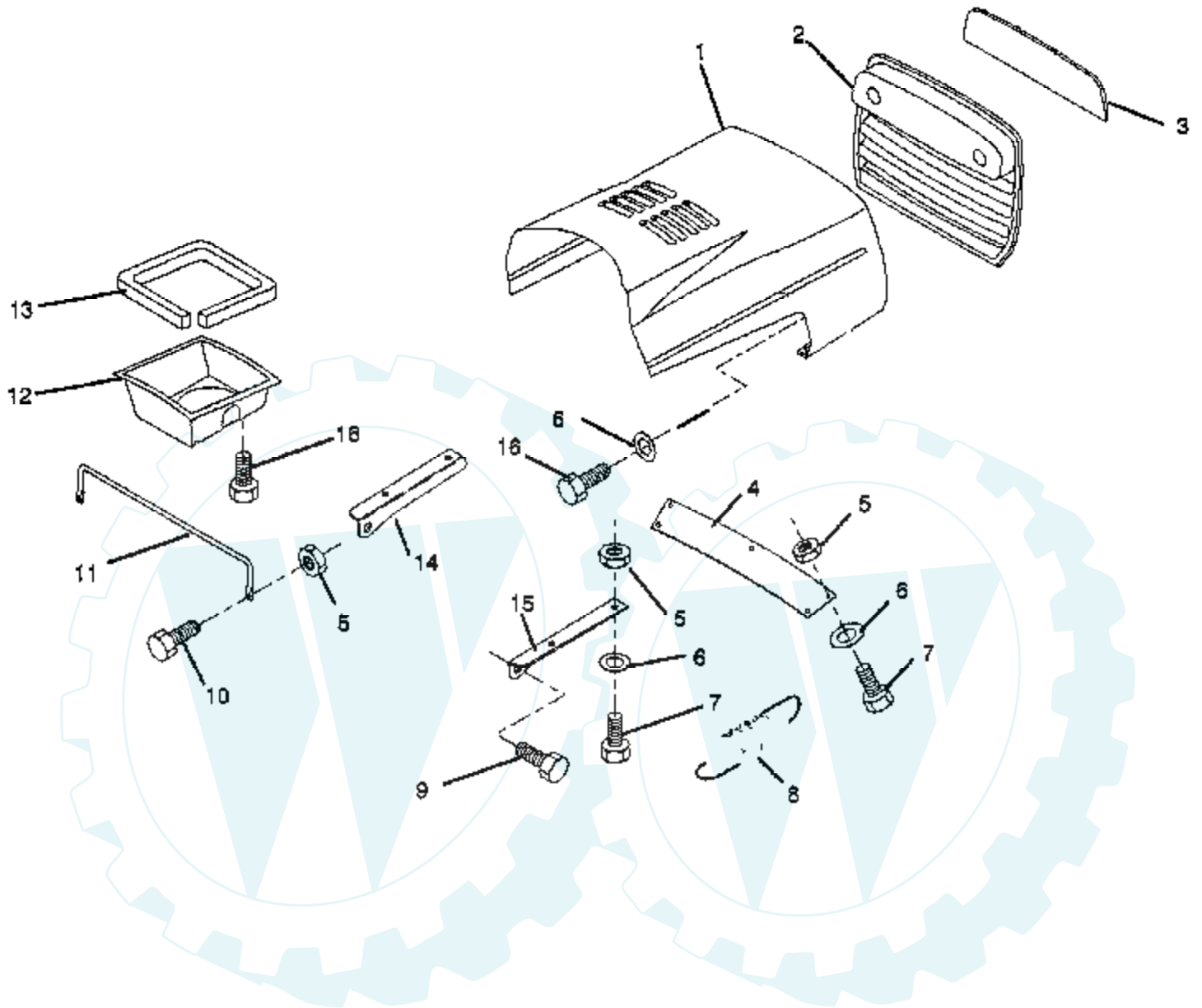
GROUND DRIVE



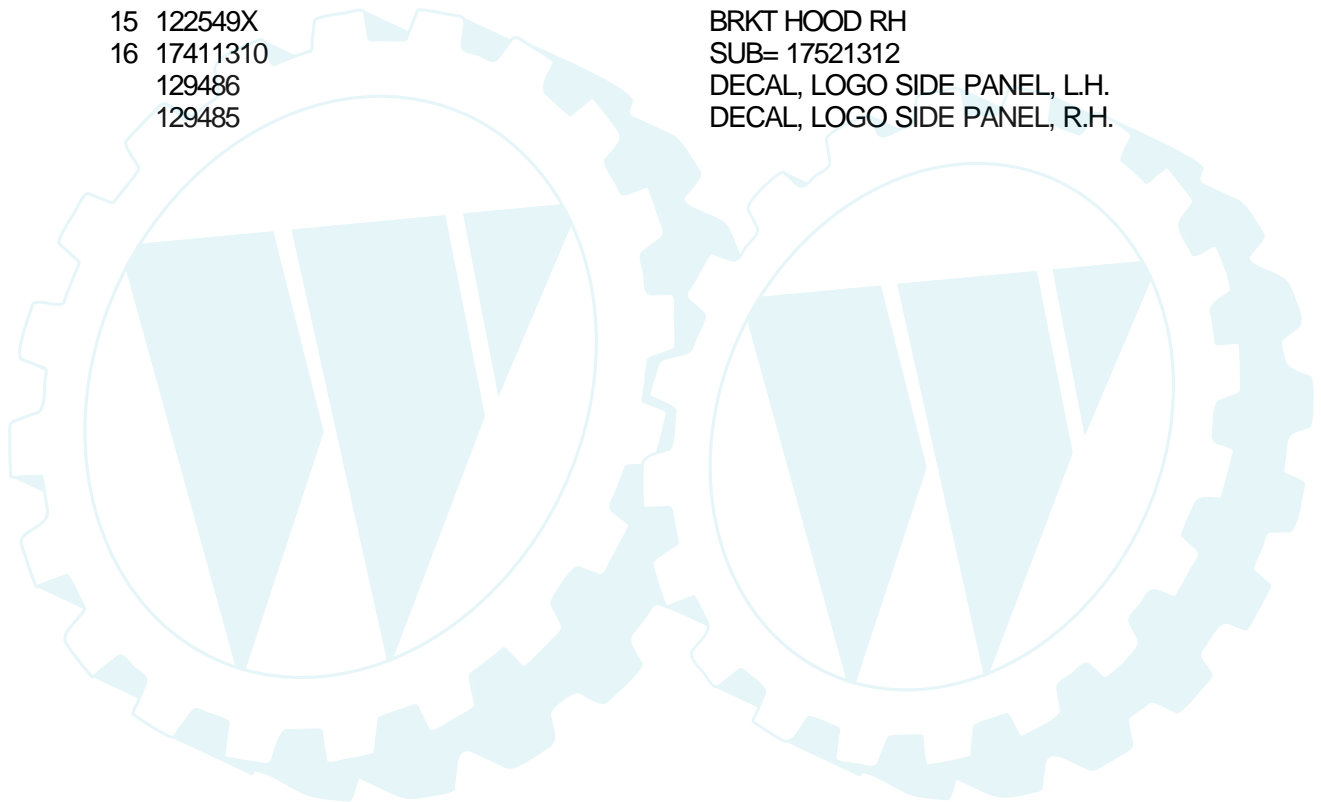
Ref #	Part Number	Qty	Description
1	73680500		SUB= 73690500
2	74760512		BOLT
3	123448X		KEEPER ENG BEL LH
4	123400X		SUB= 135893
5	10040700		LOCKWASHER
6	71130720		BOLT
7	126520X		V BELT
8	123405X		"KEEPER,DRIVE BELT"
9	72140612		BOLT
10	123396X		"KEEP,IDLER DR BEL "
11	123395X		SUB= 140911
12	4859J		SUB= 123674X
13	19131316		WASHER
14	73930600		LOCKNUT
15	73680600		SUB= 73690600
16	126471X		"CLIP,INSULATOR"
17	122052X		SPACER RETAINER
18	123397X		SUB= 131461
19	73510500		NUT
20	123891X		"KEEPER,DR BELT "
21	19111016		WASHER
22	123404X		"KEEPER,FRA DR BEL "
23	123402X		KEEPER ENG DR RH



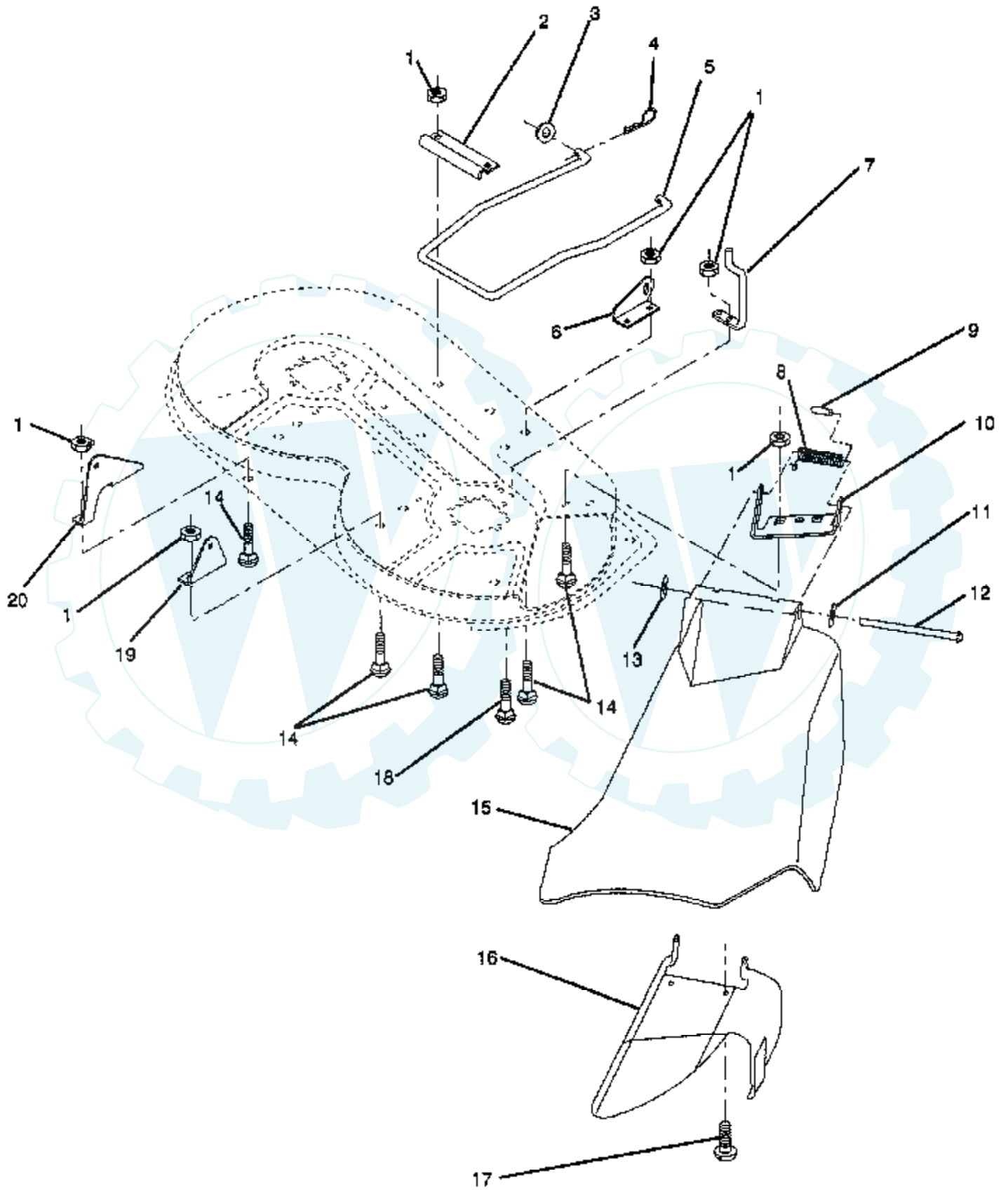
HOOD



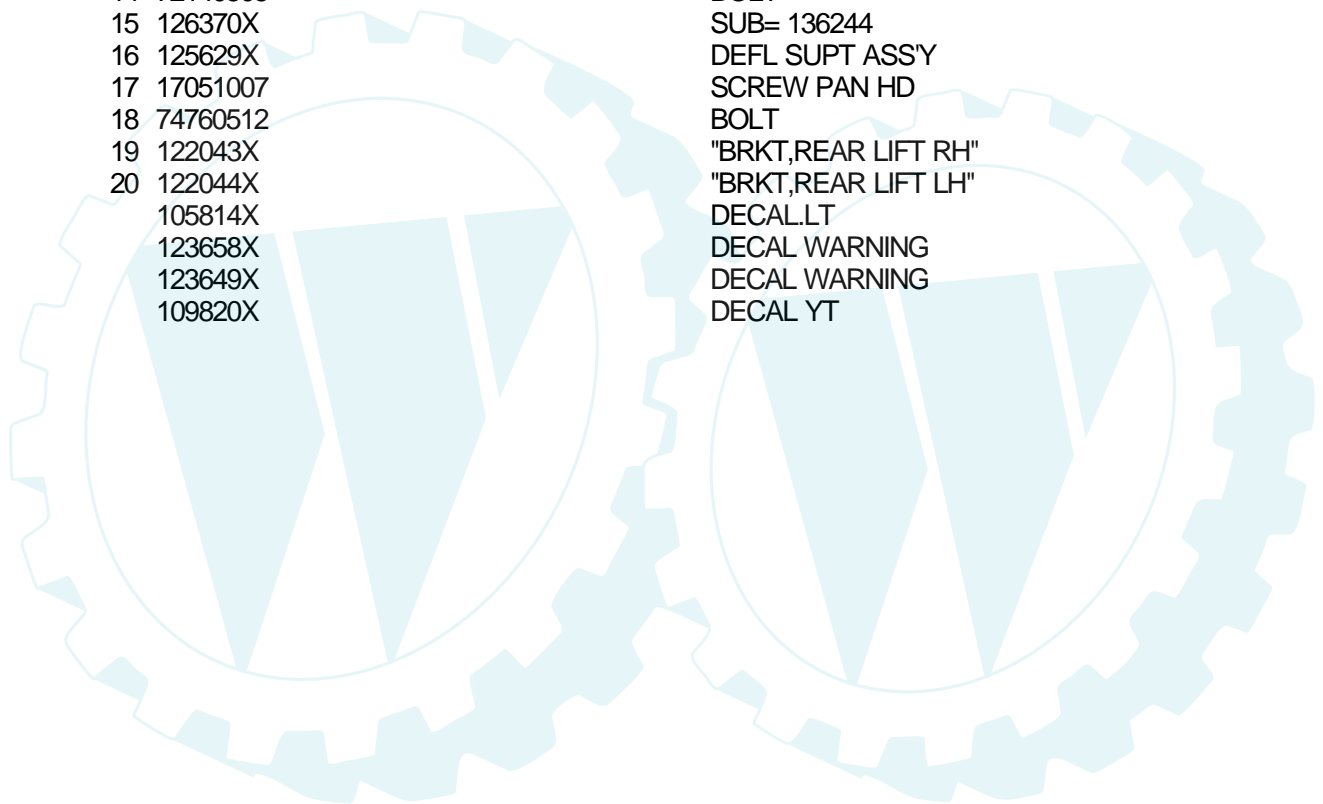
Ref #	Part Number	Qty	Description
1	122032X392		SUB= 132918X424
2	126268X		GRILL
3	122035X		LENS
4	122550X424		"STRAP,GRILL"
5	73510400		NUT
6	19091016		WASHER
7	74780410		BOLT
8	124657X		EXT SPRING
9	126675X		SUB= 139888
10	74780412		SUB= 74780414
11	123693X		"BRACE,HOOD"
12	123840X		"DUCT,AIR"
13	120537X		FOAM STRIP LT
14	122548X		BRKT HOOD LH
15	122549X		BRKT HOOD RH
16	17411310		SUB= 17521312
	129486		DECAL, LOGO SIDE PANEL, L.H.
	129485		DECAL, LOGO SIDE PANEL, R.H.



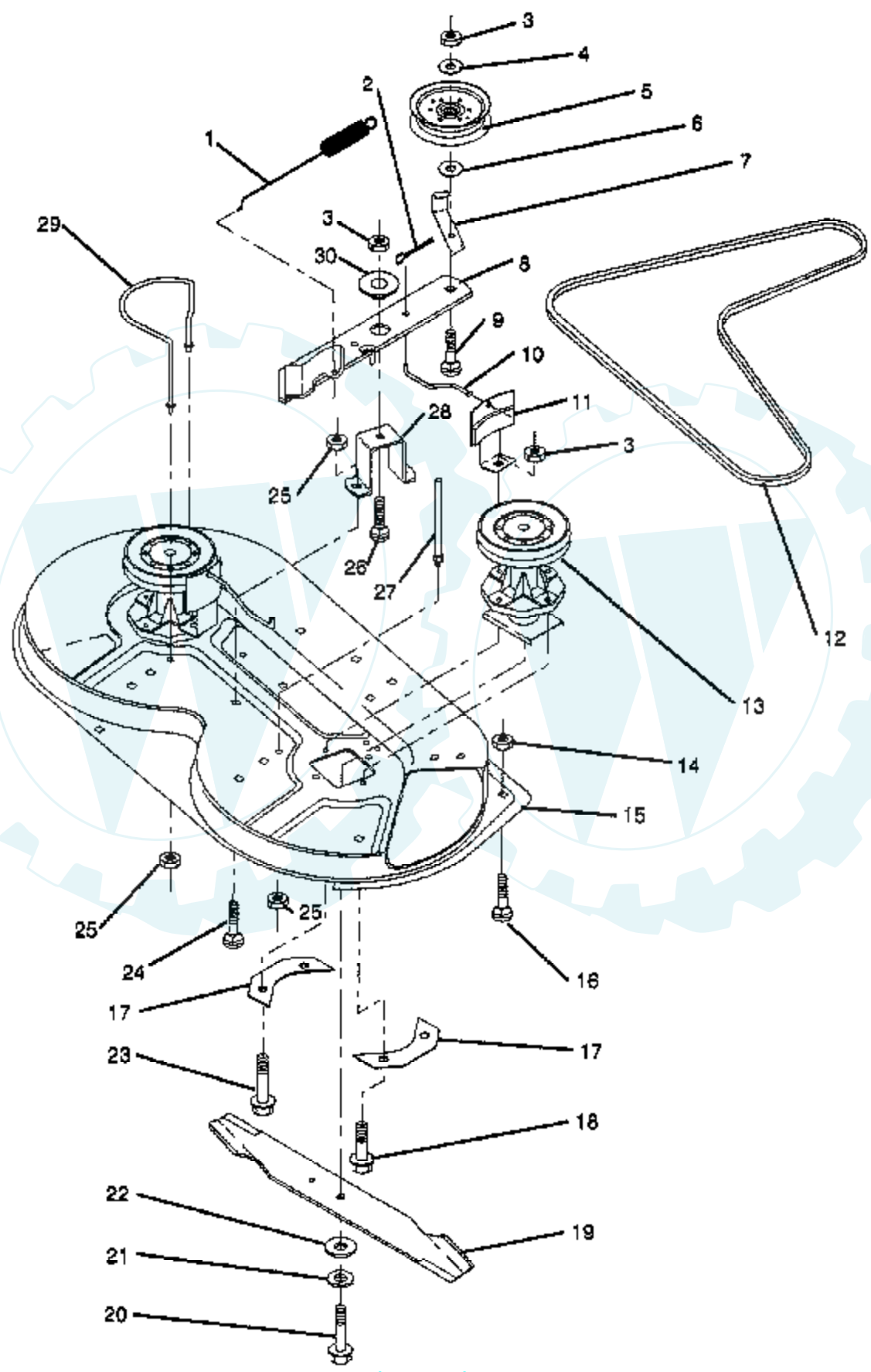
MOWER DECK



Ref #	Part Number	Qty	Description
1	73680500		SUB= 73690500
2	122047X		"BRKT,STAB LINK"
3	19171713		SUB= 146537
4	3146R		RETAINER.SPRING
5	124636X		STABILIZER MOWER
6	122045X		"BRKT,FRT LIFT RH"
7	123661X		"GUIDE,FRT MAN RH"
8	123713X		SPRING TORSION
9	105304X		CAP-SLEEVE LT
10	126361X		SUB= 532136631
11	19111016		WASHER
12	121980X		HINGE ROD
13	110452X		NUT PUSH M
14	72140505		BOLT
15	126370X		SUB= 136244
16	125629X		DEFL SUPT ASS'Y
17	17051007		SCREW PAN HD
18	74760512		BOLT
19	122043X		"BRKT,REAR LIFT RH"
20	122044X		"BRKT,REAR LIFT LH"
	105814X		DECAL.LT
	123658X		DECAL WARNING
	123649X		DECAL WARNING
	109820X		DECAL YT

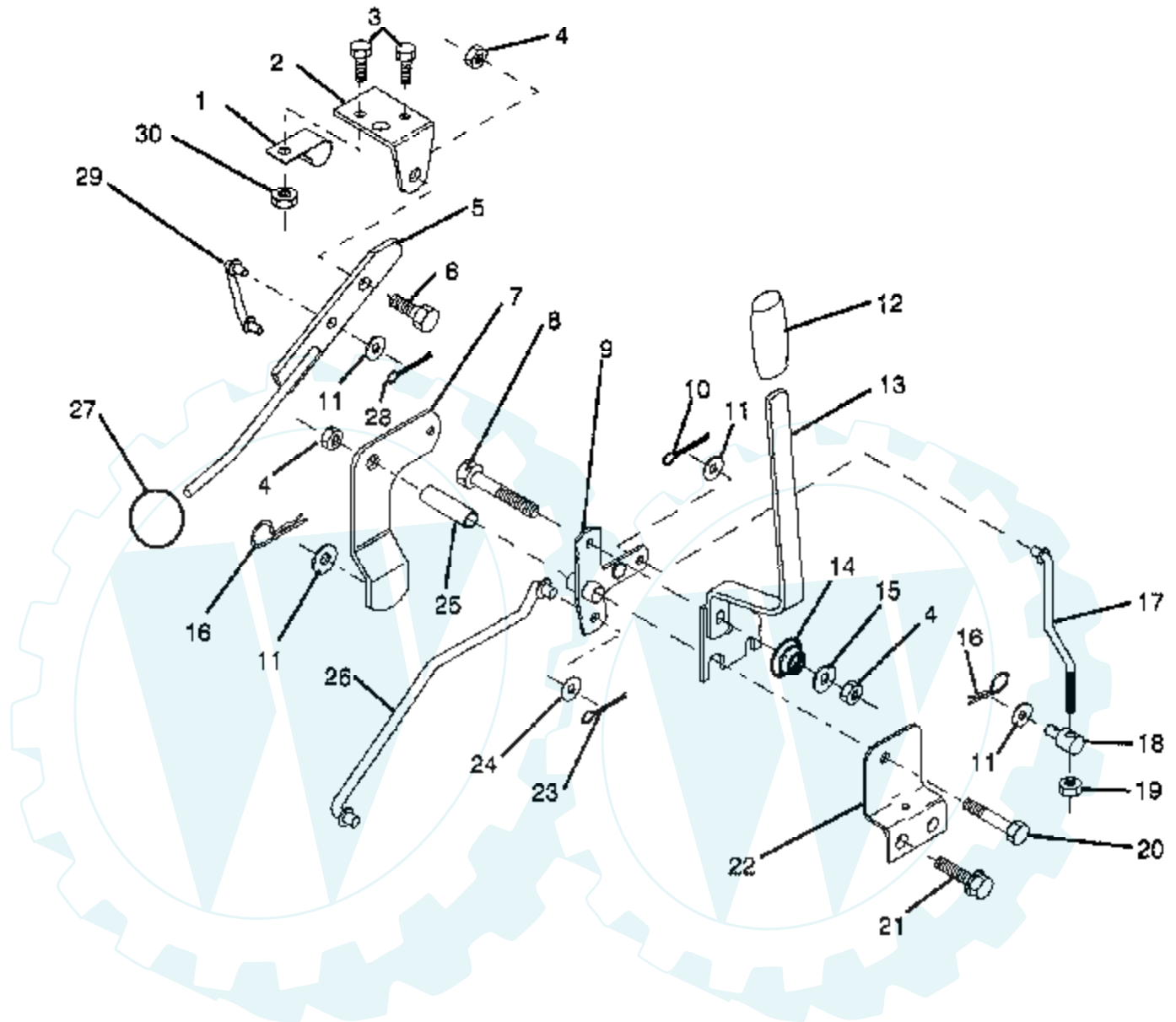


MOWER DECK



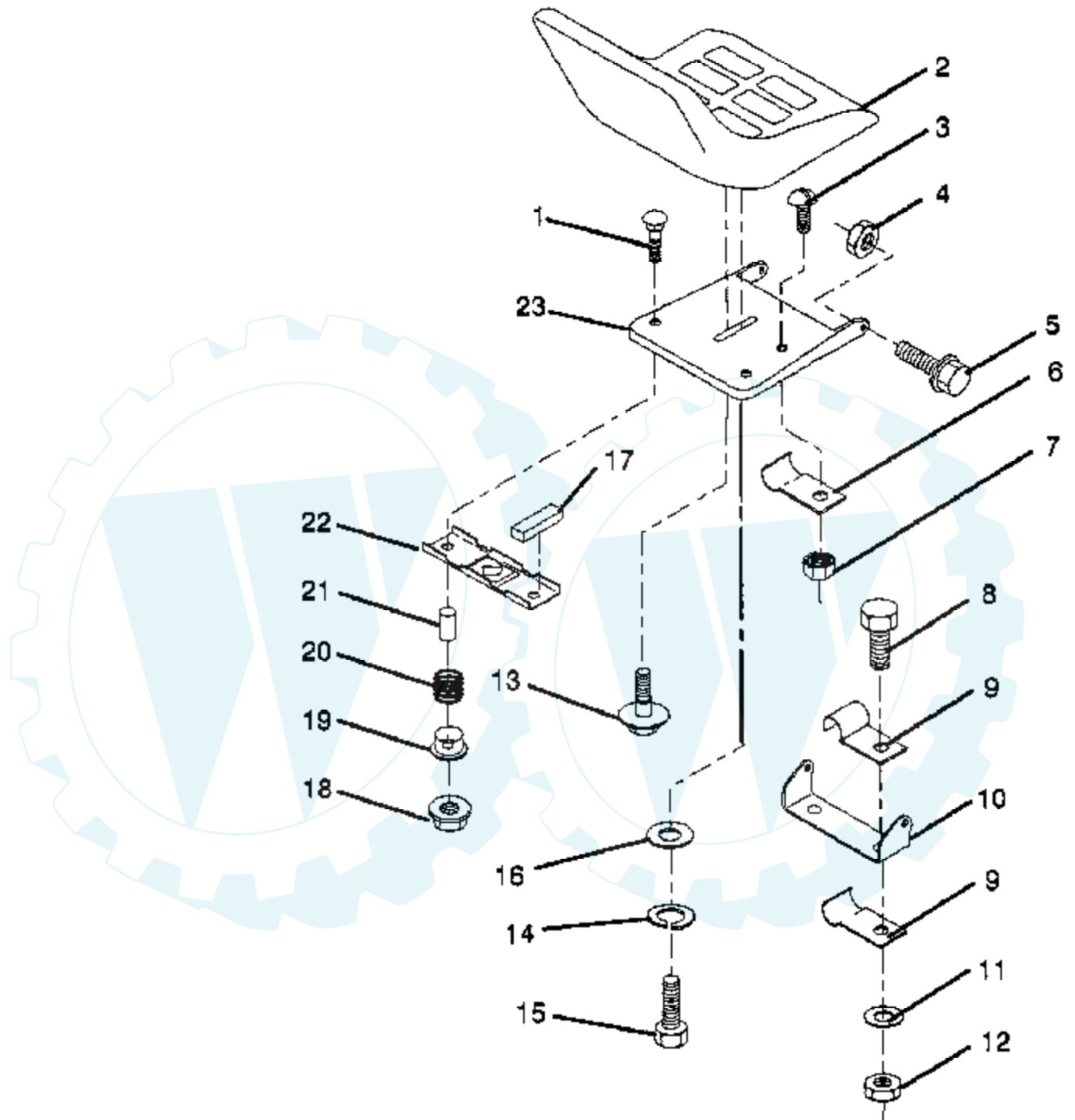
Ref #	Part Number	Qty	Description
1	122028X		SUB= 140064
2	76020312		SUB= 3145
3	73680600		SUB= 73690600
4	19131412		WASHER
5	121316X		PULLEY IDLER
6	19132203		WASHER GT
7	126756X		GUIDE.BELT
8	123702X		IDLER ARM ASSY
9	72110618		BOLT CARRIAGE
10	122049X		ROD BRAKE
11	106578X		BRAKE LT
12	124293X		BELT.MOWER.79.75
13	124208X		MANDREL ASSY
14	73680400		SUB= 73690400
15	126410X		SUB= 144727
16	72140404		BOLT
17	100668L		SUPPORT PLATE LT
18	17490614		SCREW
19	126338X		"BLADE.36" "HIGH LIF"
20	74610624		BOLT.3/8-24X1-1/2
21	10030600		SUB= 10040600
22	19132012		WASHER
23	17490620		SCREW
24	72140505		BOLT
25	73680500		SUB= 73690500
26	72110608		BOLT D
27	123439X		"GUIDE,REAR BEL RH"
28	122051X		"SUPT,IDLER ARM"
29	123673X		GUIDE BELT LH
30	122052X		SPACER RETAINER

MOWER LIFT LEVER

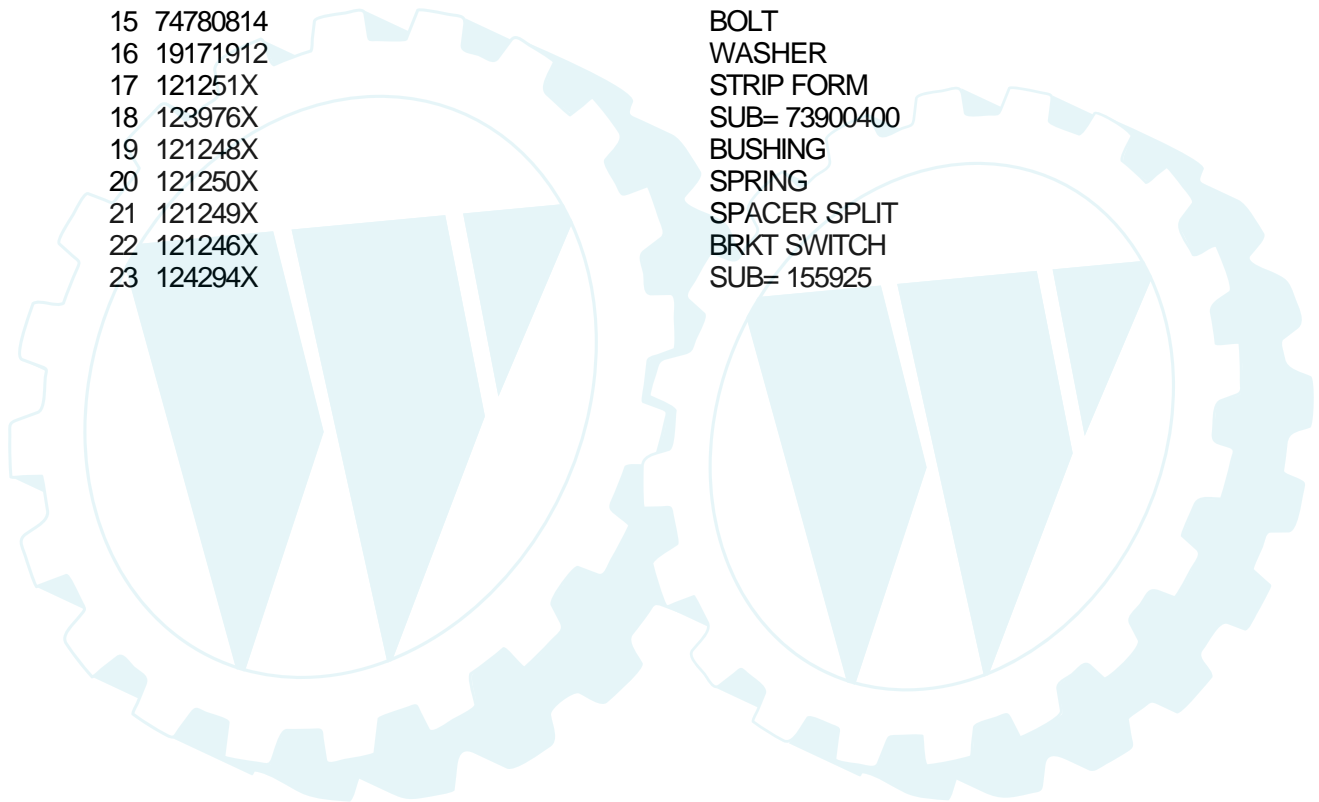


Ref #	Part Number	Qty	Description
1	126470X		"CLIP,INSULATOR"
2	122018X		BRKT CLUTCH
3	74780408		BOLT
4	73680600		SUB= 73690600
5	123417X		CLUTCH LEVER AS
6	106451X		"BOLT, SHOULDER LT"
7	123491X		CLUTCH ARM ASS'Y
8	74760636		BOLT
9	121930X		"BELLCRANK,LIFT"
10	76020412		COTTER PIN
11	19131316		WASHER
12	122027X		GRIP HANDLE
13	127028		"HDLE,LIFT T"
14	123496X		SPRING COMPRESSIO
15	19131212		WASHER T
16	4921H		SPRING.RETAINER
17	123654X		LINK FRT LIFT
18	7078J		SUB= 142028
19	73350600		NUT
20	74760644		BOLT
21	17490508		SCREW LT
22	121929X		"BRKT,MOWER HGT"
23	76020416		PIN COTTER 1/8
24	19171616		WASHER
25	121933X		TUBE SPACER
26	121934X		"ROD,MOWER LIFT "
27	106932X		KNOB T(3/8 HOLE)
28	76020312		SUB= 3145
29	123671X		"LINK,MOWER LIFT"
30	73680400		SUB= 73690400

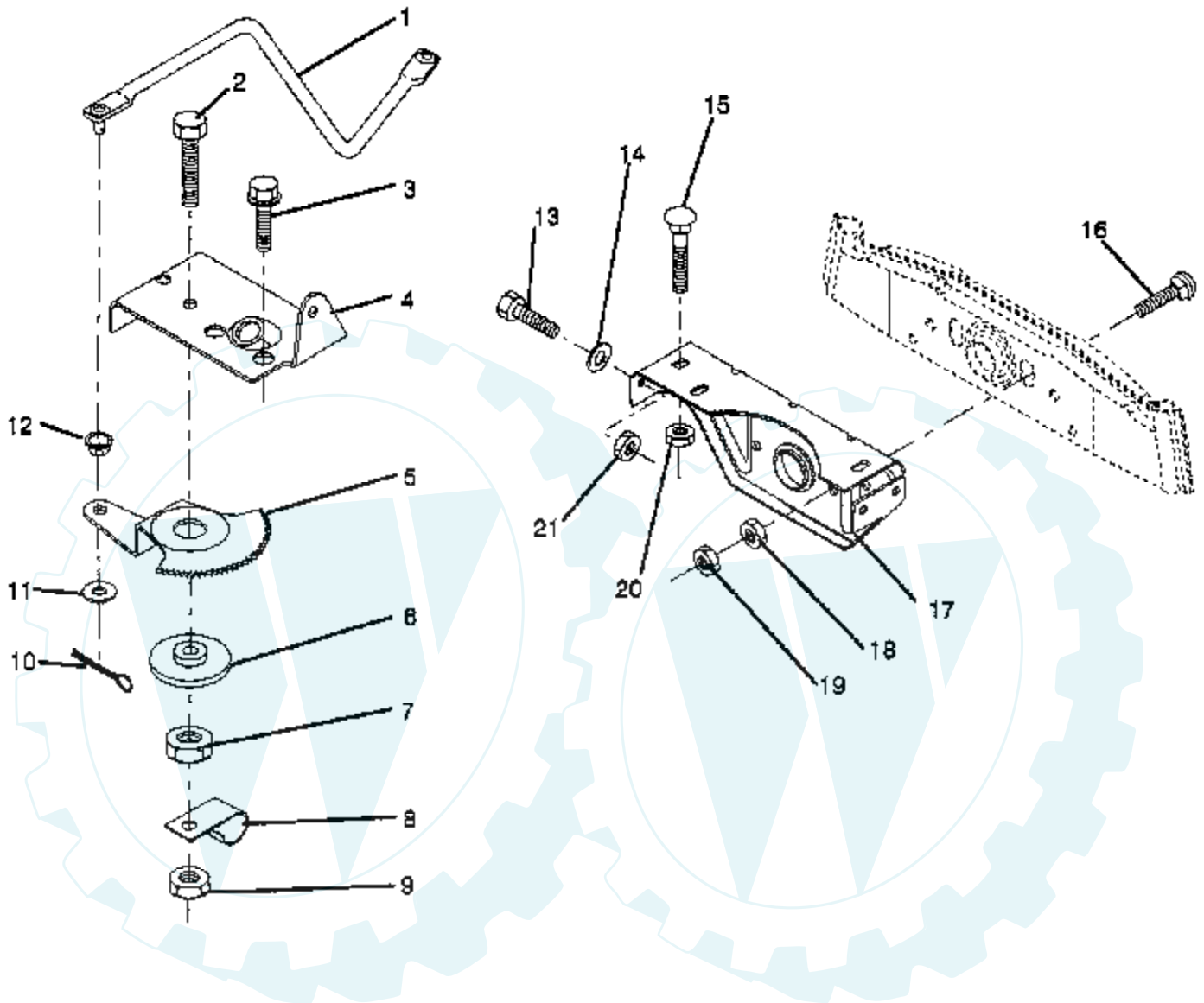
SEAT



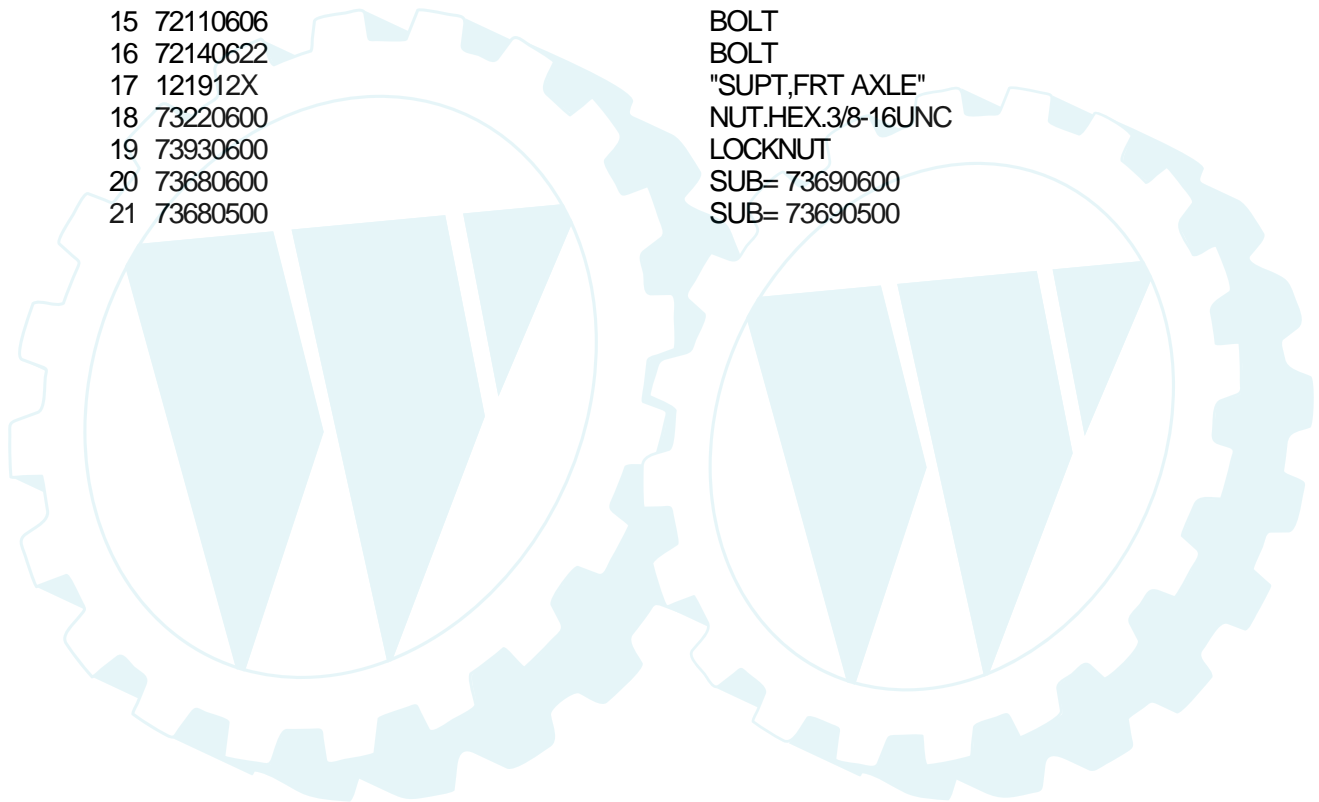
Ref #	Part Number	Qty	Description
1	72170410		BOLT
2	127422X		SUB= 140119
3	74641008		SUB= 71031008
4	73680500		SUB= 73690500
5	105529X		SUB= 139888
6	4171R		CLIP T
7	73951000		"NUT,KEPS"
8	74760612		SUB= 74780612
9	126471X		"CLIP,INSULATOR"
10	126656X		SUB= 140551
11	19131210		WASHER
12	73680600		SUB= 73690600
13	127018X		"BOLT,SHOULDER"
14	10040800		LOCKWASHER
15	74780814		BOLT
16	19171912		WASHER
17	121251X		STRIP FORM
18	123976X		SUB= 73900400
19	121248X		BUSHING
20	121250X		SPRING
21	121249X		SPACER SPLIT
22	121246X		BRKT SWITCH
23	124294X		SUB= 155925



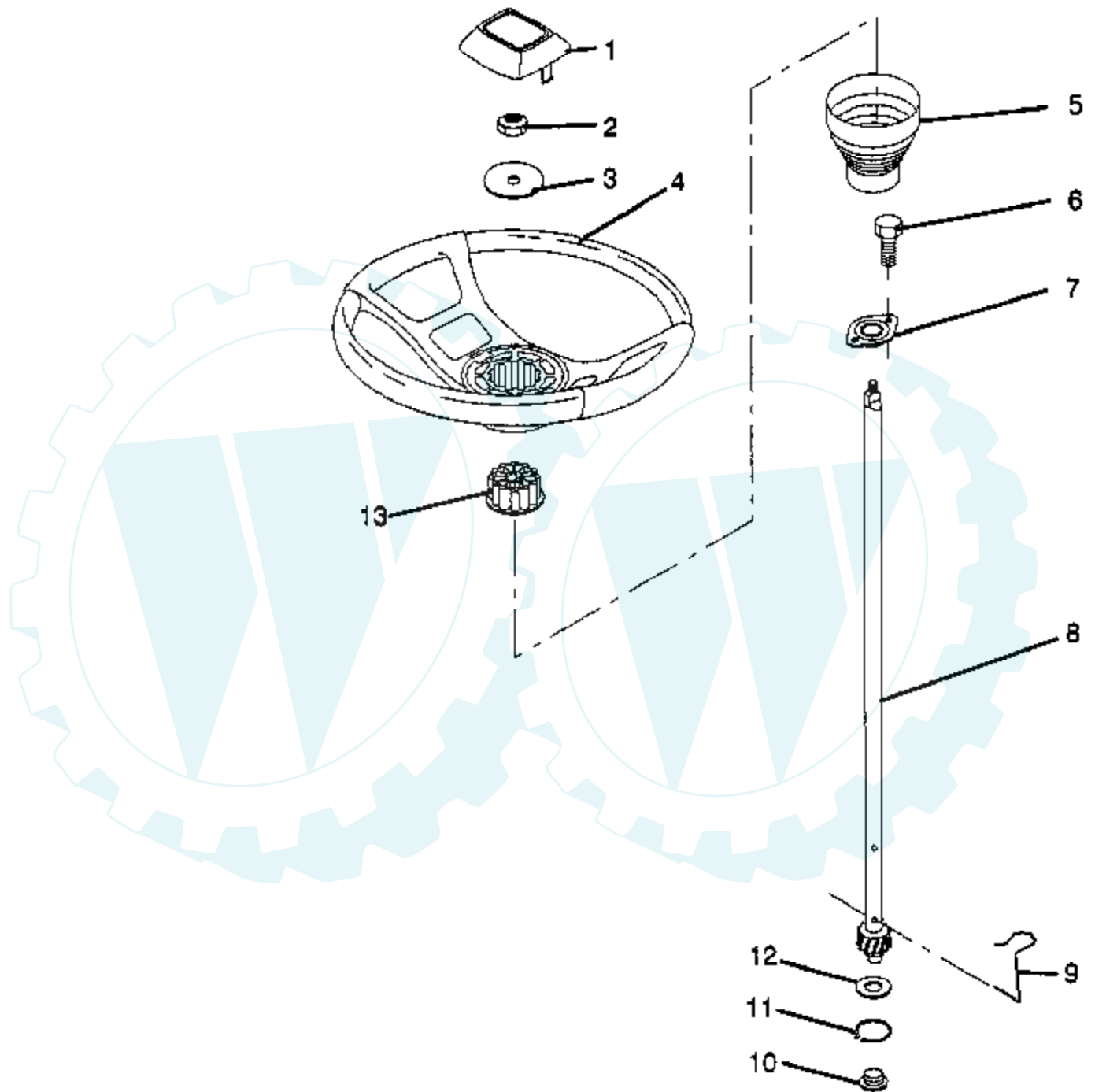
SECTOR GEAR / AXLE SUPPORT



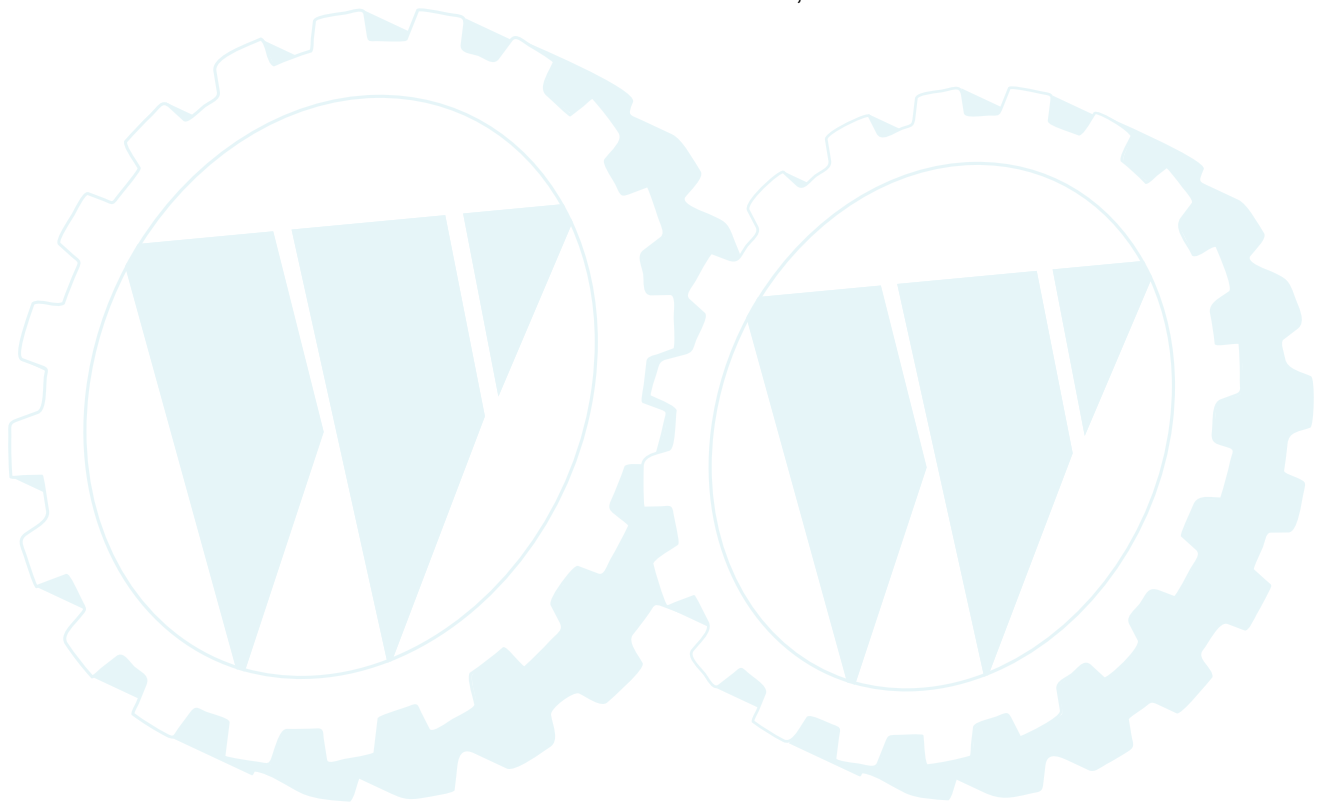
Ref #	Part Number	Qty	Description
1	124093X		SUB= 132566
2	74780828		"BOLT,HEX"
3	17490508		SCREW LT
4	121925X		"PLATE,STR SUPT"
5	121926X		GEAR SECTOR
6	121927X		BUSHING
7	73030800		NUT
8	126472X		CLIP INSULATOR
9	73680800		NUT LTV
10	76020412		COTTER PIN
11	19131316		WASHER
12	126847X		BUSHING.DRAGLINK
13	74760512		BOLT
14	19111416		WASHER
15	72110606		BOLT
16	72140622		BOLT
17	121912X		"SUPT,FRT AXLE"
18	73220600		NUT.HEX.3/8-16UNC
19	73930600		LOCKNUT
20	73680600		SUB= 73690600
21	73680500		SUB= 73690500



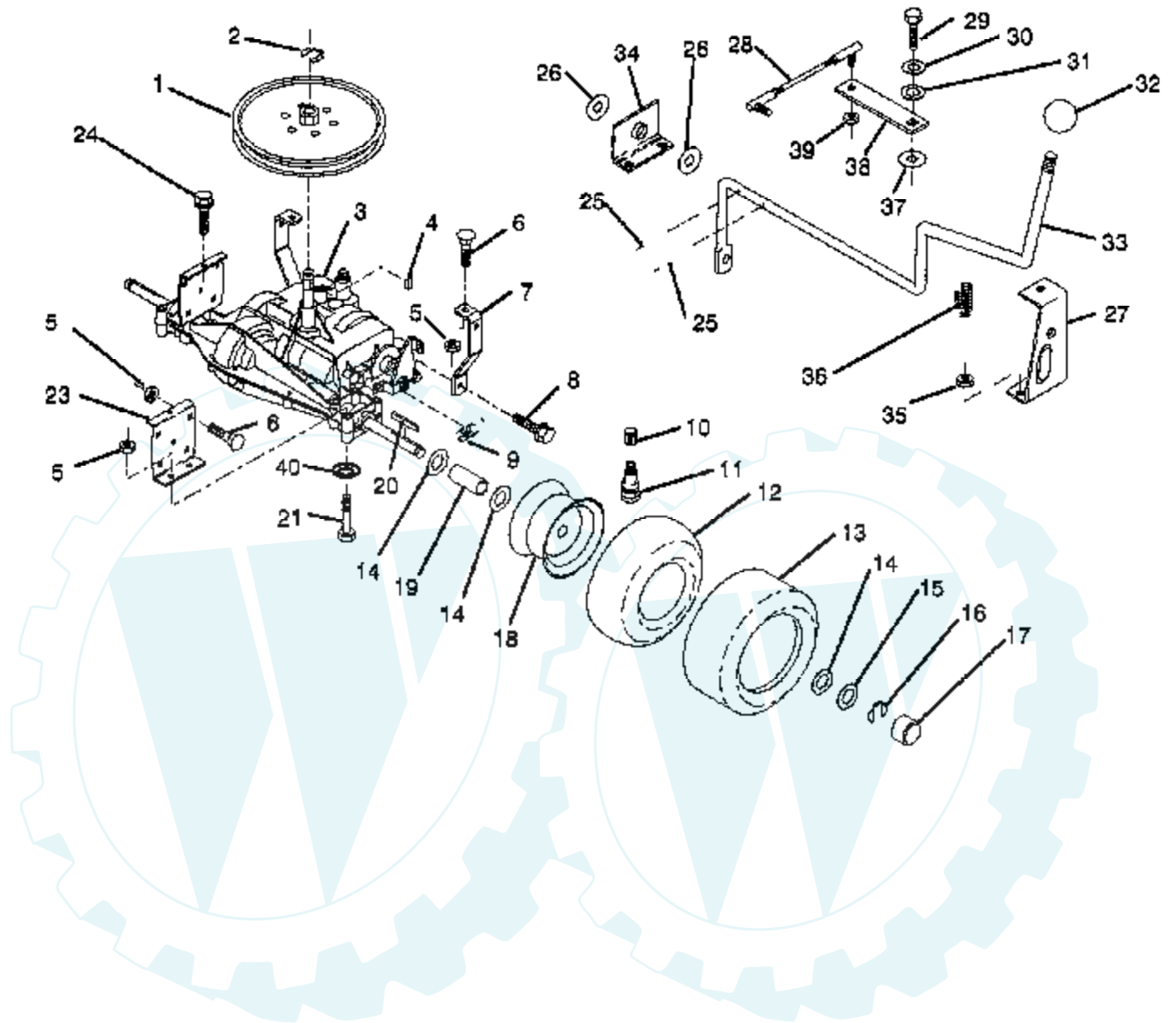
STEERING WHEEL



Ref #	Part Number	Qty	Description
1	100710L		INSERT-WHEEL LT
2	7810H		GRIPCO NUT
3	19133808		WASHER T
4	100713N		SUB= 150547
5	121897X		SLEEVE STEERING
6	17431008		SUB= 98000165
7	102803X		SUB= 918102803X
8	123651X		SUB= 148966
9	124210X		STEERING CLIP
10	123438X		BUSHING STEER LWR
11	12000045		RING
12	19211616		WASHER LT
13	104820X		ADAPTER-WHEEL LT
	129493		DECAL, STEERING WHEEL



TRANSAXLE



Ref #	Part Number	Qty	Description
1	123385X		PULLEY
2	12000028		SUB= 2267J
3	127052		TRANSAXLE
4	2228M		SUB= 2228M1
5	73680500		SUB= 73690500
6	72140506		BOLT
7	123378X		"STRAP,TORQUE"
8	17490508		SCREW LT
9	110422X		SUB= 146682
10	59192		VALVE CAP
11	65139		VALVE STEM LT
12	8134H		TUBE.16X6.5/7.5-8
13	106230X		SUB= 122075X
14	121749X		WASHER
15	121748X		WASHER
16	12000001		E-RING LT
17	104757X		HUB CAP
18	123412X361		RIM
19	123409X		SPACER
20	123583X		SQUARE KEY
21	74760540		BOLT
22	73680600		SUB= 73690600
23	123377X		"BRKT,TRANSAXLE"
24	17490512		SCREW
25	76020416		PIN COTTER 1/8
26	19171616		WASHER
27	124601X		SUB= 128084
28	126293X		LINK SHIFT
29	71040412		SUB= 74550412
30	10040400		LOCKWASHER
31	19091210		WASHER LT
32	106933X		KNOB T (1/2-HOLE)
33	124599X		SUB= 128215
34	124600X		"SUPT,HDLE SHT LH"
35	73510500		NUT
36	123393X		EXT SPRING
37	105701X		WASH-SHFT PLT LT
38	126292X		ARM SHIFT
39	73810500		NUT.LOCK.5/16-24
40	19111116		WASHER