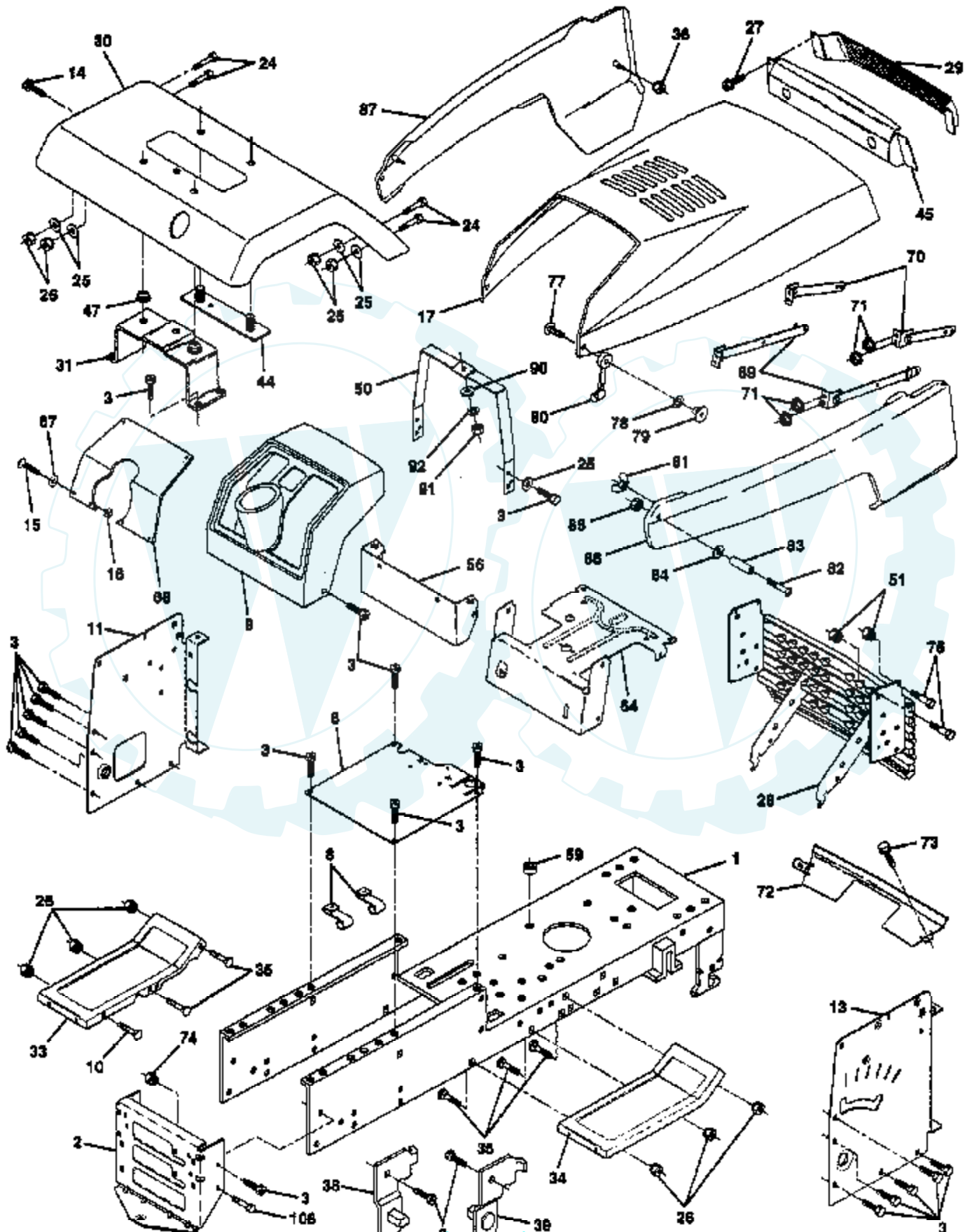


TRACTOR - MODEL NUMBER WP18IC44A

CHASSIS AND ENCLOSURES



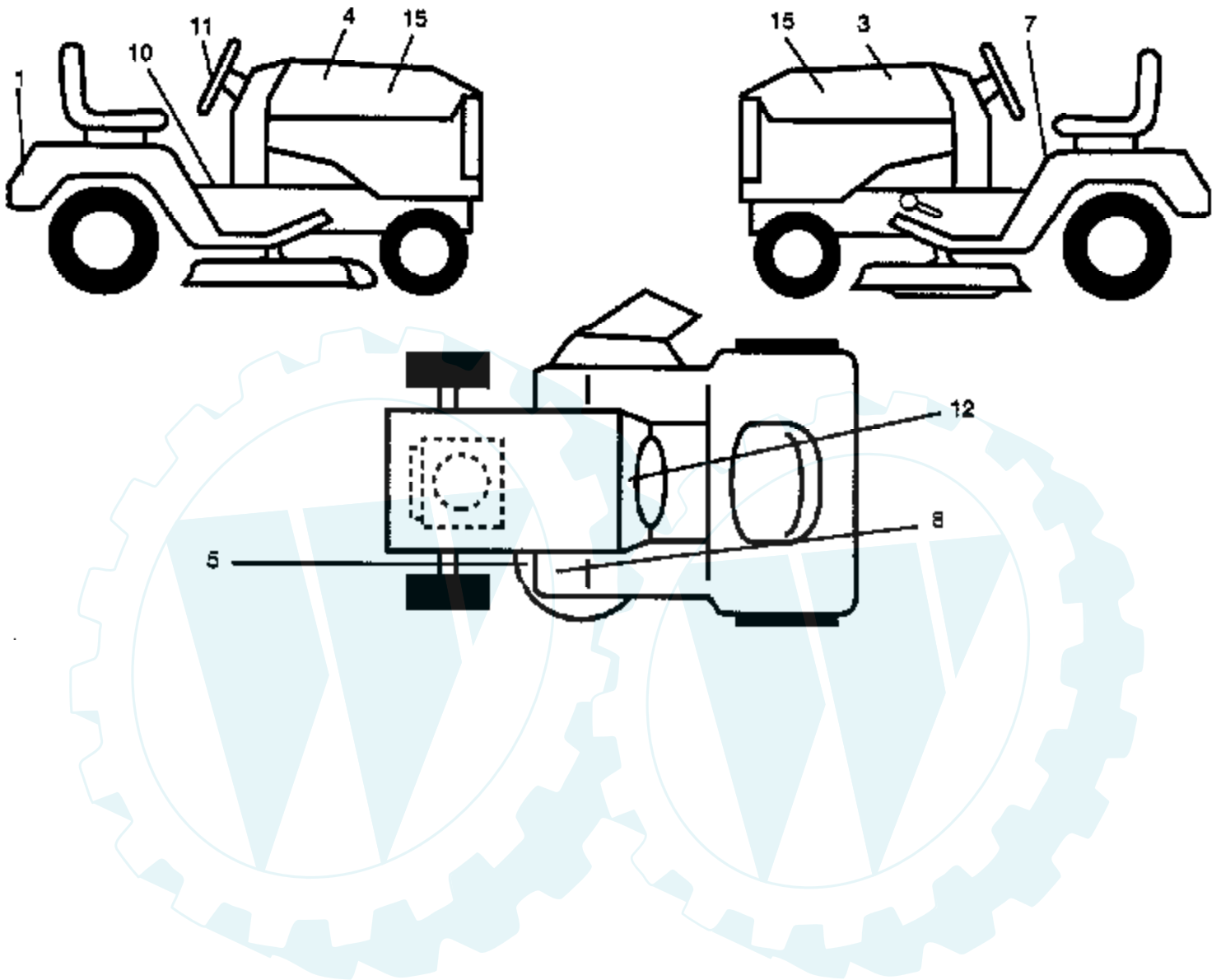
Ref #	Part Number	Qty	Description
1	145501		CHASSIS.WLD.11GA
2	123785X		DRAW BAR
3	17490612		SCREW
6	145206		SUB= 145206X431
8	126471X		"CLIP,INSULATOR"
9	140398		DASHBOARD BLACK
10	72140608		SUB= 72110608
11	145222		PANEL.DASH.LH.PNT
13	145221		PANEL.DASH.RH.PNT
14	17490608		SCREW LT
15	74180512		SCREW
16	73510500		NUT
17	132635X505		SUB= 150301X505
24	74780616		BOLT
25	19131312		WASHER
26	73800600		NUT
27	17030814		SUB= 91817030814
28	131681		SUB= 131681X431
29	146459		LENS.BAR.CLEAR
30	140002X505		FENDER.PNT.
31	137113		BRKT.ASM.FENDER
33	145244X505		FOOTREST.LH.LT/GT
34	145243X505		FOOTREST.RH.LT/GT
35	72110606		BOLT
36	108067X		PAL NUT LT
38	139886		BRACKET ASM LH
39	139887		BRACKET ASM RH
44	140675		STRAP ASM FENDER
45	124392X417		SUB= 147717
47	105531X		NUT-PUSH YT
50	145205		DASH.SUPT.YP/HUSQ
51	73800400		NUT
56	145151		DASH.EXT.PNT.
59	110436X		SUB= 9151R
64	145095		SUB= 150272
66	140299X012		PLATE SLKSCR YP
67	19111116		WASHER
69	106784X		SUB= 155013
70	104618X		SUB= 155013
71	73640400		NUT HXKEP 1/4X20
72	144916X505		STRAP.GRILLE.PNT.
73	17580408		SCREW CRT
74	73680600		SUB= 73690600
75	123481X		SUB= 7605J
77	74191008		SCREW
78	10071000		LOCKWASHER
79	2029J		WELDNUT
80	109808X		HOOD LATCH T
81	123198X		SUB= 146525
82	74981020		SCREW
83	7206J		SPACER LT
84	19070818		WASHER
85	73731000		NUT
86	140679X505		PANEL SIDE RH
87	140678X505		SUB= 150302X505
90	19091216		WASHER PM
91	73220400		SUB= 50675
92	10040400		LOCKWASHER

Ref #	Part Number	Qty	Description
108	74760612		SUB= 74780612
	8022J		PLUG-DASH T
	121794X		COVER ACCESS

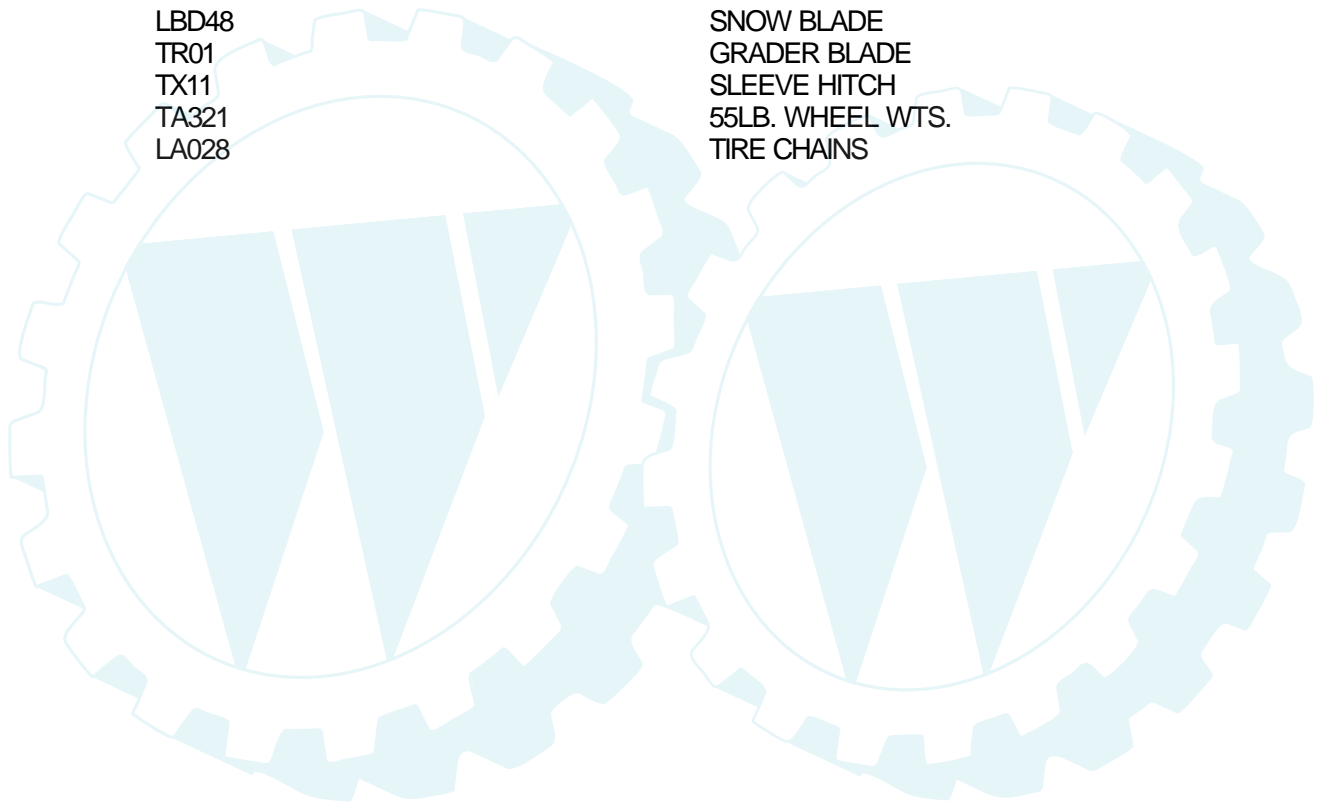


TRACTOR - MODEL NUMBER WP18IC44A

DECALS

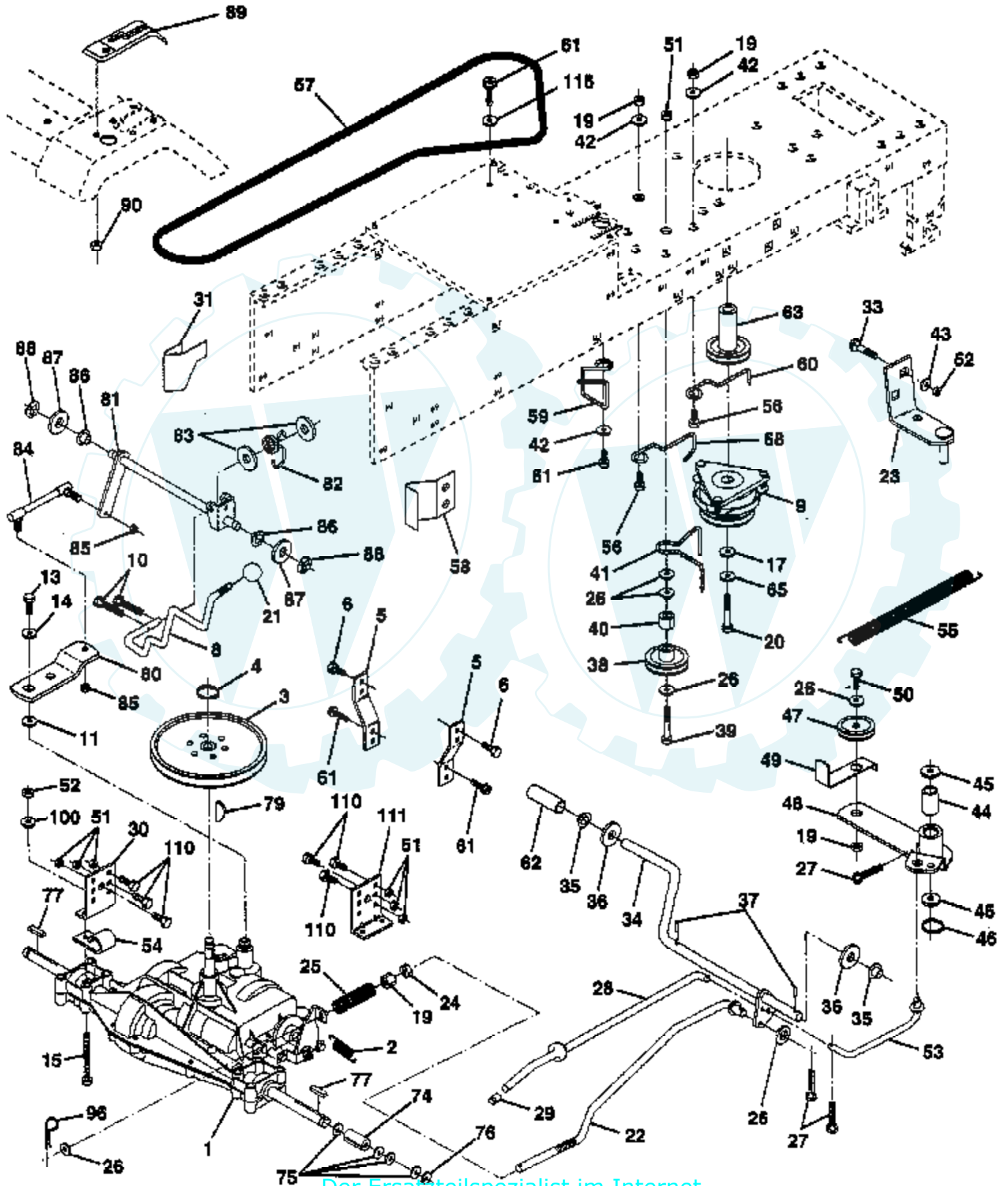


Ref #	Part Number	Qty	Description
1	135841		DECAL, FENDER LOGO
3	135864		DECAL.HOOD.LH
4	135865		DECAL.HOOD.RH
5	139346		"DECAL.V.BELT.44""
7	133796		DECAL
8	4900J		DECAL T
10	140837		DECAL BRAK PARK
11	135845		DECAL, INSERT
12	138955		DECAL.DASH.INST.
15	149226		DECAL.INS.HD.LT.
	138311		DECAL HANDLE LIFT
	133671		FOOTREST PAD
	149228		MANUAL.WP181C44A
	LSB42		SNOW THROWER
	LBD48		SNOW BLADE
	TR01		GRADER BLADE
	TX11		SLEEVE HITCH
	TA321		55LB. WHEEL WTS.
	LA028		TIRE CHAINS



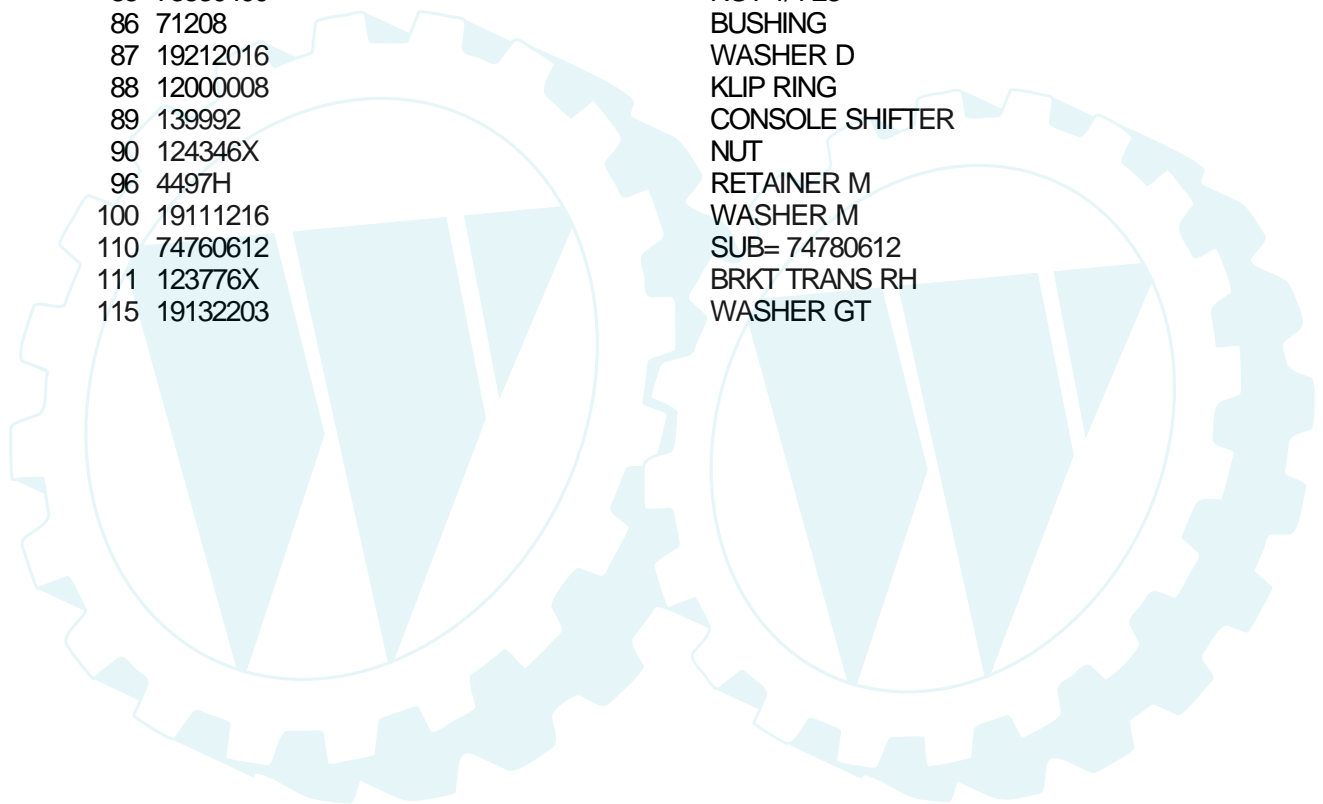
TRACTOR - MODEL NUMBER WP18IC44A

DRIVE



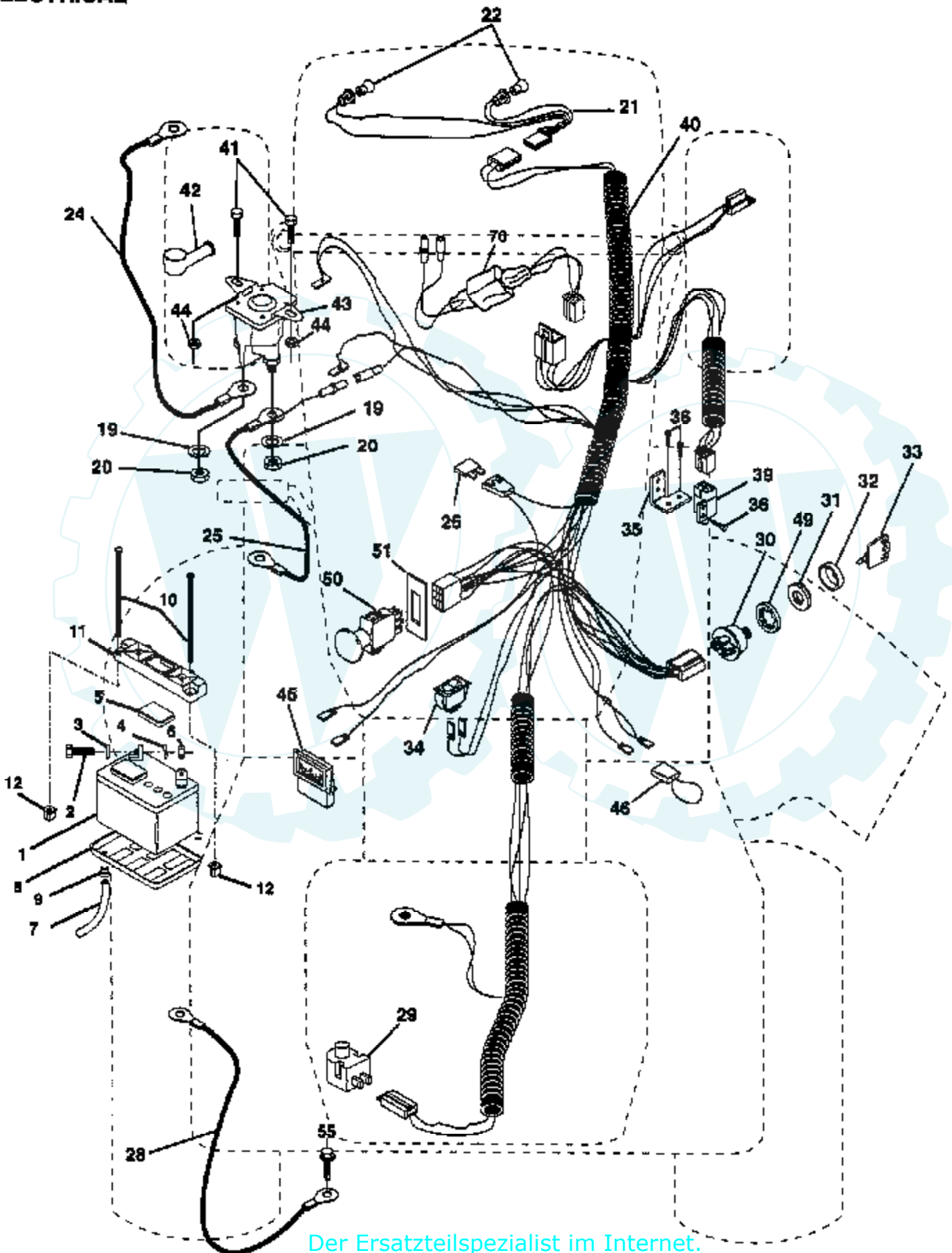
Ref #	Part Number	Qty	Description
1	138788		TRANSAX. PRLES.
2	110422X		SUB= 146682
3	121327X		PULLEY TRANSAXLE
4	12000004		RING
5	123787X		STRAP TORQUE
6	17490512		SCREW
8	123781X		SUB= 141002
9	137140		SUB= 142600
10	76020416		PIN COTTER 1/8
11	105701X		WASH-SHFT PLT LT
13	74550412		BOLT.1/4-28.W/PAT
14	19091216		WASHER PM
15	74780544		BOLT HEX
17	126197X		WASHER
19	73800600		NUT
20	71170768		SUB= 150280
21	106933X		KNOB T (1/2-HOLE)
22	145340		ROD.ASM.BK.44.MWR
23	137141		BRACKET.ASM.MTG
24	73350600		NUT
25	126909X		"SPRING,ROD BRAKE"
26	19131316		WASHER
27	76020412		COTTER PIN
28	145204		ROD.BRAKE.PARK.LT
29	71673		PLUNGER CAP T
30	123780X		BRKT TRANS LH
31	123791X		KEEPER BELT LH
33	72140506		BOLT
34	149001		SHAFT.PEDAL.FOOT
35	120183X		NYLON BEARING
36	19211616		WASHER LT
37	1572H		SUB= 2882J
38	123674X		PULLEY.IDLER.FLAT
39	74760644		BOLT
40	4470J		SPACER T
41	109070X		BELT KEEPER LT
42	19131312		WASHER
43	19111012		WASHER T
44	105706X		"LY, BEARING"
45	110812X		WASHER LT
46	12000039		KLIP RING
47	127783		SUB= 139245
48	123789X		ARM IDLER
49	123205X		RETAIN BELT
50	74760624		SUB= 74930624
51	73680600		SUB= 73690600
52	73680500		SUB= 73690500
52	73800500		NUT
53	105710X		"LINK, CLUTCH T"
54	126471X		"CLIP,INSULATOR"
55	105709X		"SPRING, RETURN LT"
56	74760620		SUB= 74780620
57	123796X		BELT.GRDRV.94.75
58	123792X		"KEEPER,BELT RH"
59	140312		KEEPER BELT CNTSP
60	121218X		KEEPER BELT ENGLH
61	17490612		SCREW
62	8883R		PEDAL COVER T

Ref #	Part Number	Qty	Description
63	136906		PULLEY ENGINE
65	10040700		LOCKWASHER
68	105730X		"KEEPER,BLT ENG LT"
74	108097X		SPACER HYT
75	123800X		WASHER
76	12000053		E RING HYT
77	9396E		SQ KEY STD
79	2228M		SUB= 2228M1
80	123794X		"ARM,SHIFT"
81	123772X		"SHAFT,SHIFTER"
82	123782X		"SPRING,TORSION"
83	19171216		WASHER
84	123793X		"ROD,TIE "
85	73530400		NUT 1/4-28
86	71208		BUSHING
87	19212016		WASHER D
88	12000008		KLIP RING
89	139992		CONSOLE SHIFTER
90	124346X		NUT
96	4497H		RETAINER M
100	19111216		WASHER M
110	74760612		SUB= 74780612
111	123776X		BRKT TRANS RH
115	19132203		WASHER GT



TRACTOR - MODEL NUMBER WP18IC44A

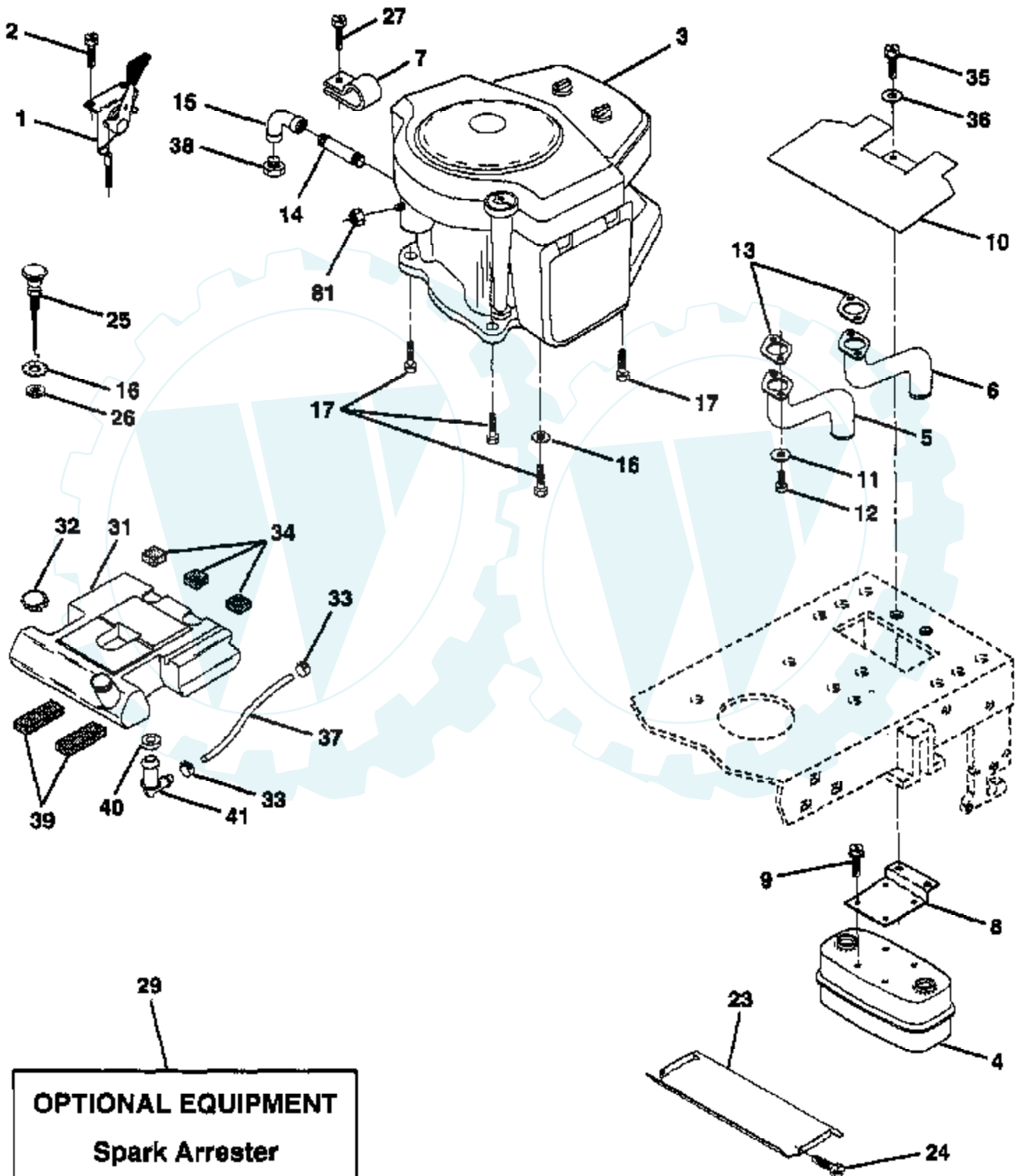
ELECTRICAL



Ref #	Part Number	Qty	Description
1	121537X		SUB= 123899X
2	74760412		BOLT LT
3	19091016		WASHER
4	10040400		LOCKWASHER
5	121264X		"CAP,BATTERY "
6	73220400		SUB= 50675
7	7697J		"DRAIN TU T, BATT"
8	7603J		"TRAY T, BATTERY"
9	109596X		HOSE CLAMP T
10	145211		SUB= 150177
11	145209		SUB= 150109
12	145769		SUB= 150177
19	10090400		SUB= 10040400
20	73350400		NUT
21	136850		"HARNES,LIGHT SOC"
22	4152J		HEADLAMP BULB
24	4799J		"CABLE T, BATTERY"
25	146148		CABLE.6GA.22W/16W
26	108824X		FUSE HYT
28	145491		CABLE.GRND.6GA.21
29	121305X		SWITCH SEAT
30	144921		SUB= 163088
31	140400		SUB= 145774
32	141226		COVER KEY SWITCH
33	140401		KEY MLD GEN DELTA
34	110712X		SWITCH LT
35	108236X		BRACKET LT
36	17021008		SCREW
39	109553X		SWITCH INTERLOCKT
40	145493		HARNES.ING.ELEC.
41	71110412		BOLT.HX.1/4-20
42	131563		SUB= 154336
43	145673		SUB= 146154
44	73510400		NUT
45	121433X		SUB= 122822X
46	141940		PROTECTION LOOP
49	11151000		LOCKWASHER
50	140404		SUB= 154959
51	140405		RING RETAIN PTO
55	17490508		SCREW LT
70	146096		HARN.ENG.TRI-CKT

TRACTOR - MODEL NUMBER WP18IC44A

ENGINE



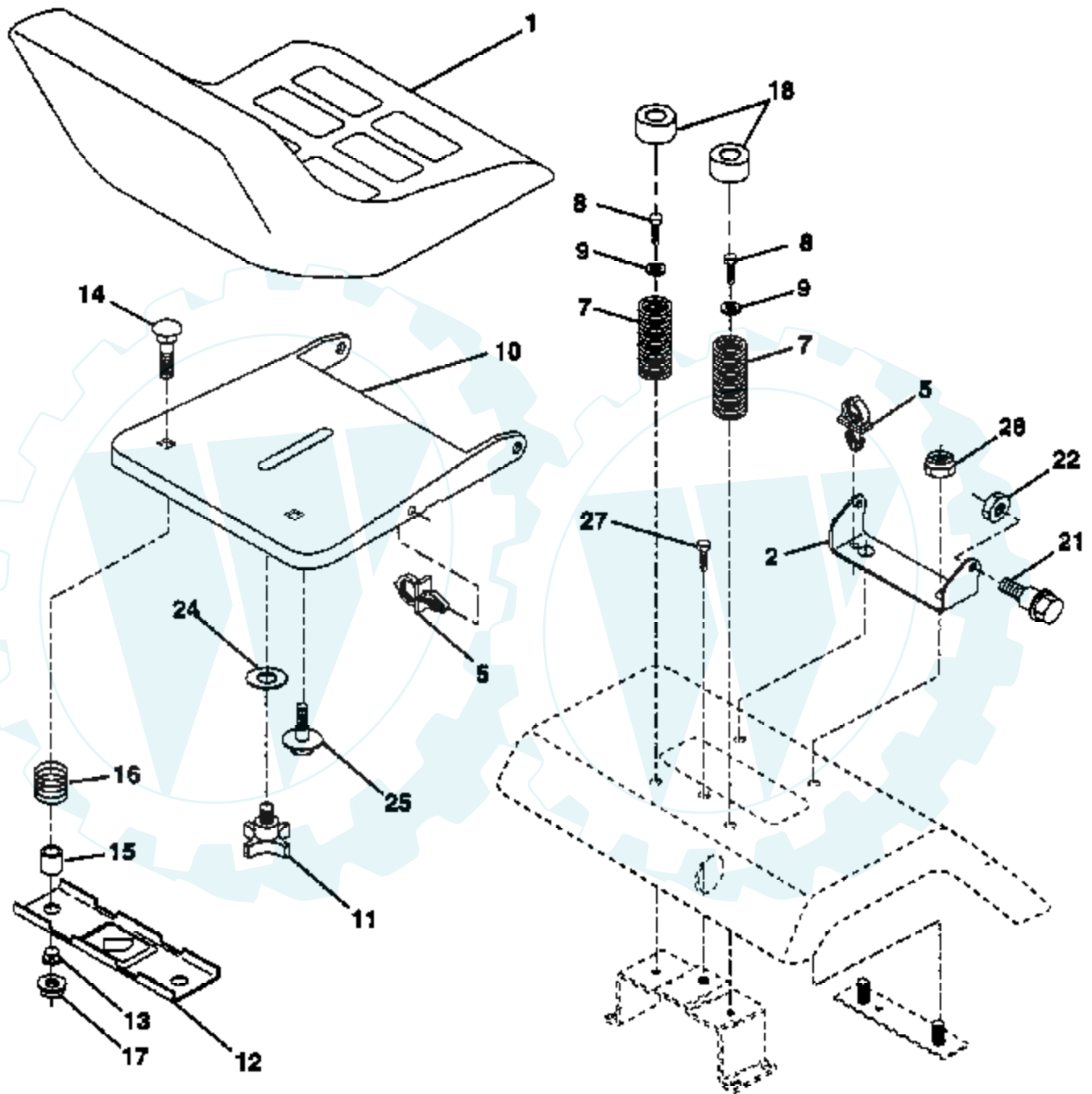
OPTIONAL EQUIPMENT
Spark Arrester

Ref #	Part Number	Qty	Description
1	132748		SUB= 532132748
2	17720410		SCREW LT
3	422707		ENGINE B&S 18HP
4	137978		SUB= 149723
5	144069		EXHAUST.B&S.18.LH
6	144068		EXHAUST.B&S.18.RH
7	138129		CLAMP.TUBE.DBL.EN
8	122439X		BRACKET MUFFLER
9	17190408		SCREW ST
10	145552		SHIELD.HEAT.
11	10040400		LOCKWASHER
12	74780412		SUB= 74780414
13	8545J		SUB= 272250
14	13280336		PIPE NIPPLE LT
15	13200300		ELBOW
16	11050600		LOCKWASHER
17	17490624		SCREW LT
23	128953		HEAT SHIELD
24	17021008		SCREW
25	138672		"CONTROL.CHOKE.51""
26	73610600		SUB= 7810H
27	17490624		SCREW LT
29	137180		SUB= 532137180
31	141069		SUB= 151346
32	140527		CAP ASM FUEL
33	123487X		HOSE CLAMP
34	106082X		PAD-SPACER LT
35	17490512		SCREW
36	19132012		WASHER
37	8543R		FUEL LINE T
38			REFER TO IMAGE
39	109227X		PAD IDLER TI
40	3645J		BUSHING OUTLET T
41	139277		STEM.TANK.FUEL
81	73510400		NUT

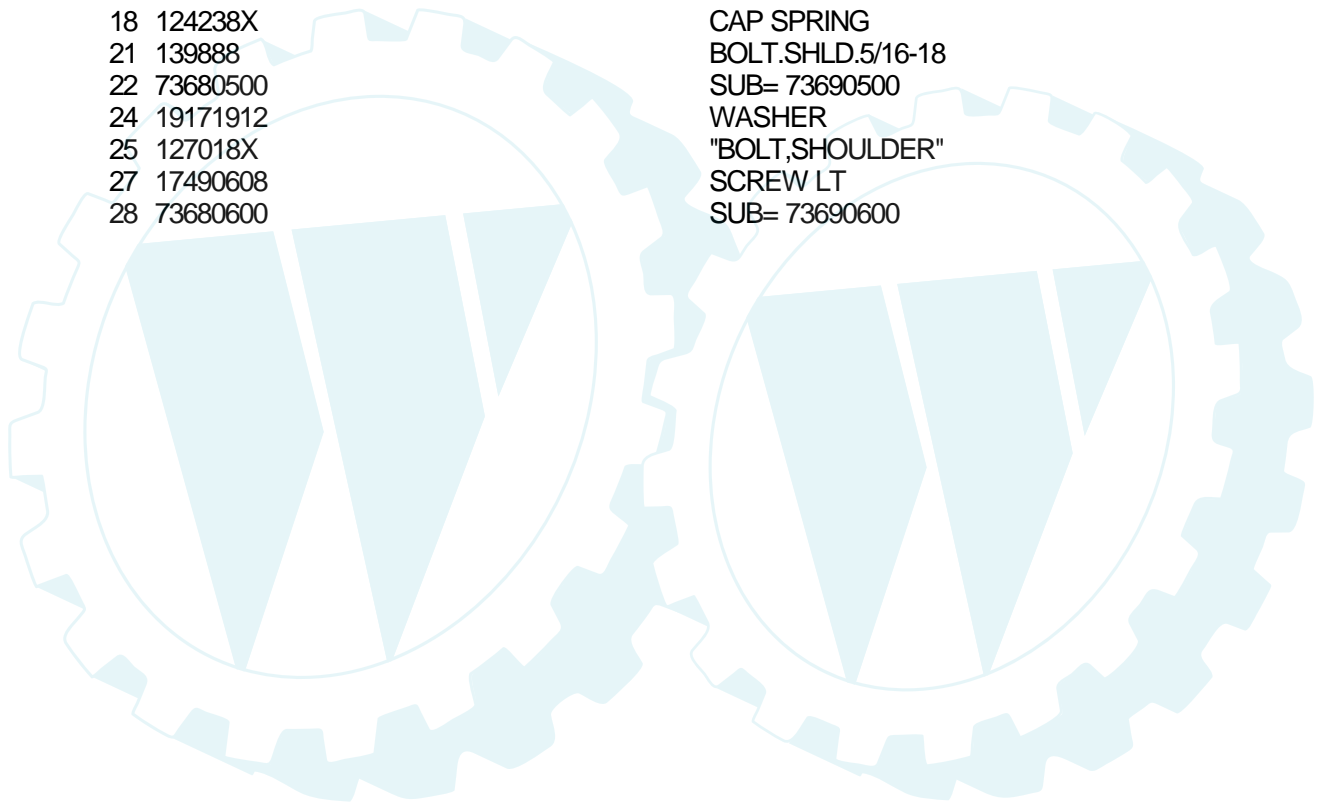
TRACTOR - MODEL NUMBER WP18IC44A

SEAT ASSEMBLY

NOTE: All component dimensions given in U.S. inches
1 inch = 25.4 mm

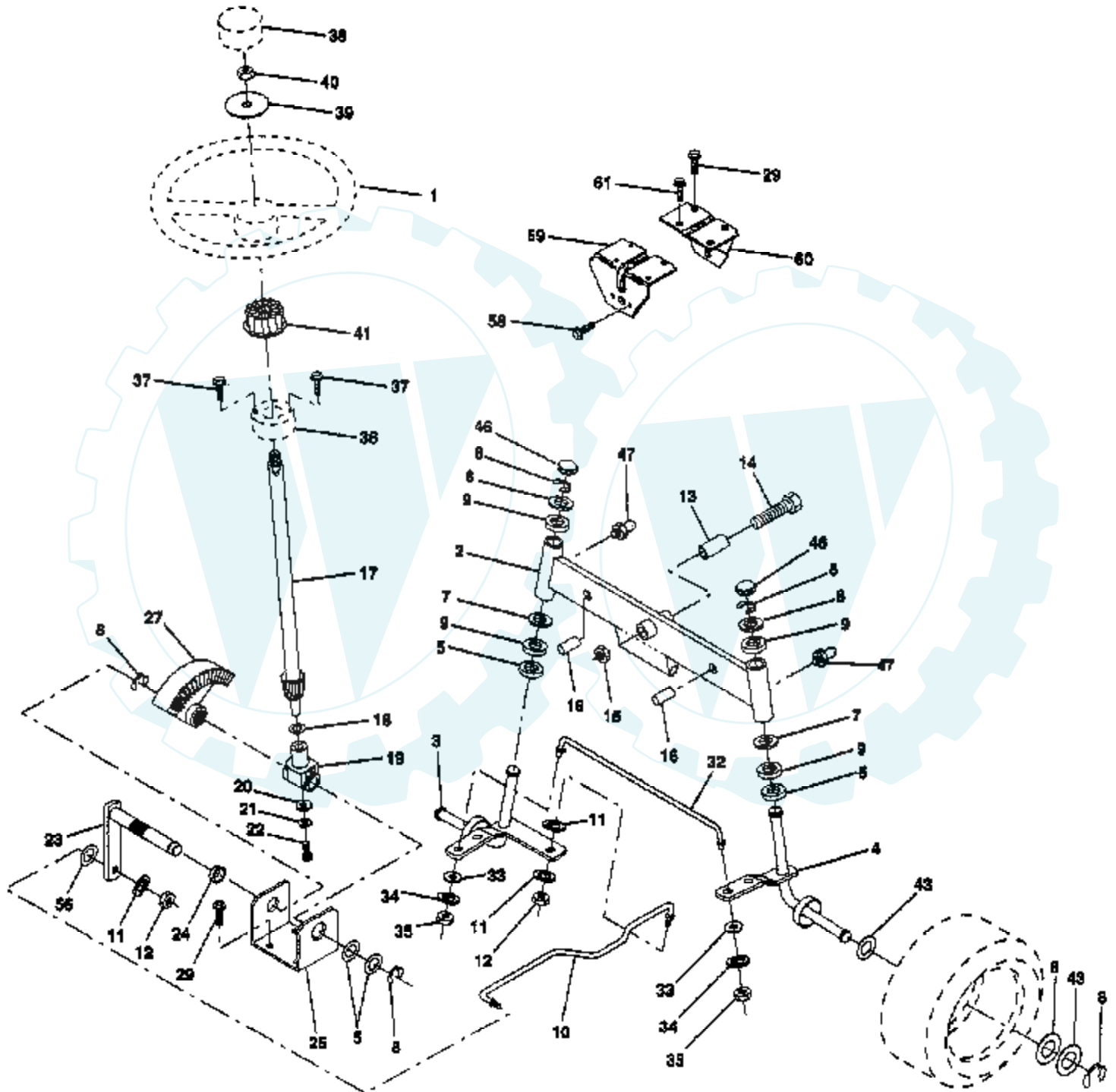


Ref #	Part Number	Qty	Description
1	127429X		SUB= 140121
2	140551		BRACKET PVT SEAT
5	145006		CLIP.PUSH-IN.HING
7	124181X		SPRING COMPRESSIO
8	17490508		SCREW LT
9	19131614		WASHER
10	140552		SUB= 155925
11	120068X		"KNOB 1/2" YT"
12	121246X		BRKT SWITCH
13	121248X		BUSHING
14	72050411		SUB= 872050411
15	121249X		SPACER SPLIT
16	123740X		SPRING COMPRESSED
17	123976X		SUB= 73900400
18	124238X		CAP SPRING
21	139888		BOLT.SHLD.5/16-18
22	73680500		SUB= 73690500
24	19171912		WASHER
25	127018X		"BOLT,SHOULDER"
27	17490608		SCREW LT
28	73680600		SUB= 73690600



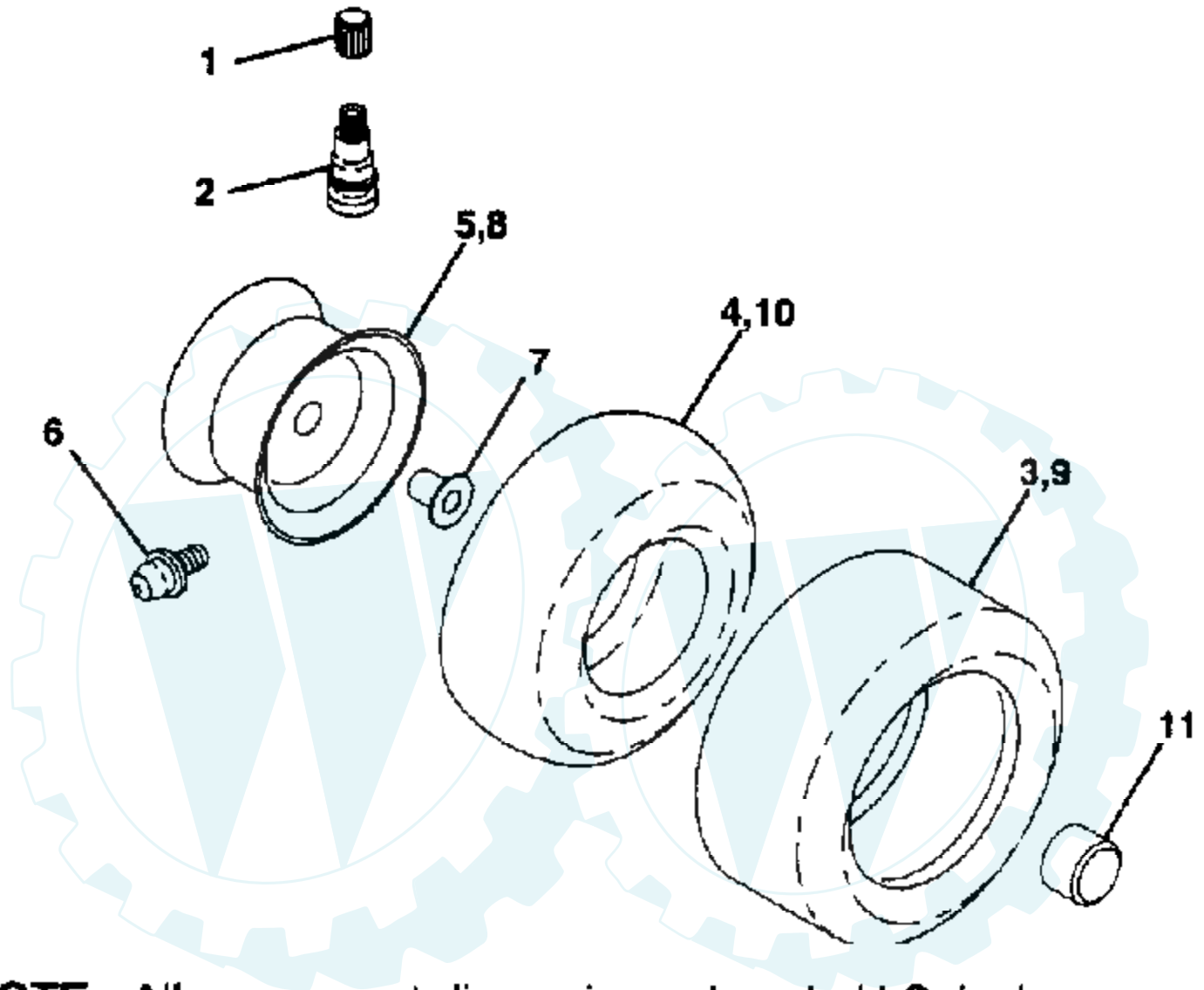
TRACTOR - MODEL NUMBER WP18IC44A

STEERING ASSEMBLY



Ref #	Part Number	Qty	Description
1	121472X		SUB= 150546
2	142033		AXLE ASM FRONT
3	145410		SUB= 145410X431
4	145413		SUB= 145413X431
5	6266H		WASHER .T
6	121748X		WASHER
7	19272016		WASHER
8	12000029		RING
9	3366R		COL. SRTG. BEAR.
10	130468		SUB= 532130468
11	10040600		LOCKWASHER
12	73610600		SUB= 7810H
13	110438X		BEARING
14	74761060		BOLT LT
15	73901000		"NUT-LOC,FLANGE LT"
16	132624		AXLE PIN
17	128762		SUB= 156544
18	57079		THRUST WASHER
19	124035X		SUPPORT.SHAFT
20	126684X		SUB= 532126684
21	10040400		LOCKWASHER
22	71070410		"SCREW,SPECIAL"
23	127501		SUB= 918127501
24	109816X		NYLINER T
25	124036X		"BRKT,STEERING"
27	136874		GEAR SECTOR
29	17490612		SCREW
32	130467		TIE ROD
33	19111216		WASHER M
34	10040500		LOCKWASHER
35	73810500		NUT.LOCK.5/16-24
36	145207		BUSHING.STRG.3/4
37	17541008		SCREW.10-24X1/2
38	126805X		"INSERT,STR WHEEL"
39	100712K		WASHER
40	73940800		SUB= 73360800
41	100711L		ADAPTER LT
43	121749X		WASHER
46	121232X		CAP
47	6855M		ZERK M
56	19131210		WASHER
58	17490508		SCREW LT
59	105663X		SUPPORT-SADDL T
60	105664X		SUPPORT.SADDLE.FT
61	122819X		SCREW SPECIAL

WHEELS & TIRES



NOTE: All component dimensions given in U.S. inches
1 inch = 25.4 mm

Ref #	Part Number	Qty	Description
1	59192		VALVE CAP
2	65139		VALVE STEM LT
3	106230X		SUB= 122075X
4	59904		TUBE.5.3/4.5/6
5	106228X417		RIM.FRONT.
6	278H		FITTING LT
7	9040H		"FLANGE, BEARING"
8	124074X417		RIM.REAR.417
9	140183		TIRE.R.23X9.5-12
10	7154J		TUBE.23X8/10-12
11	104757X		HUB CAP
	144334		SEALANT.TIRE 10 OZ. TUBE

