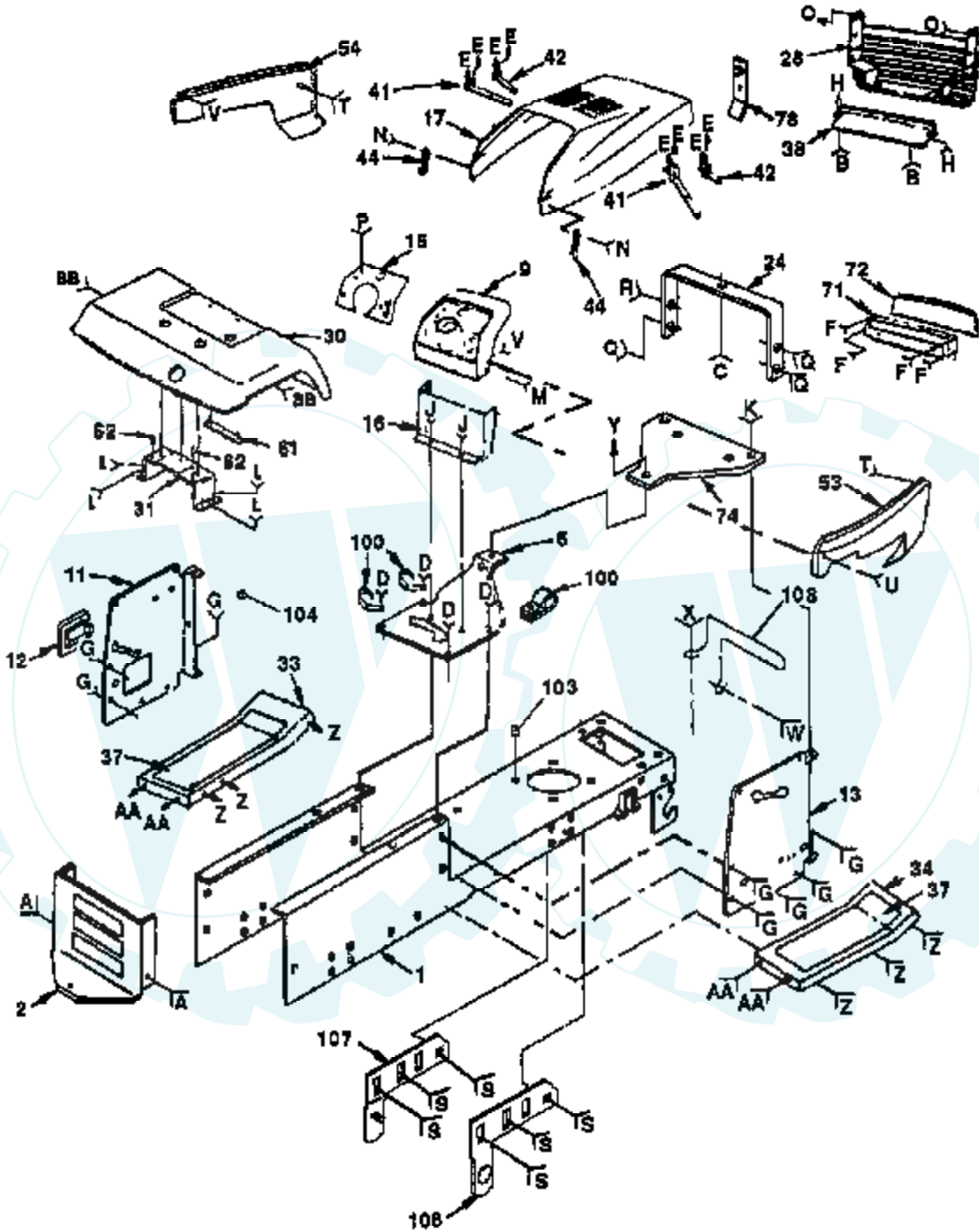


18 HP 42" TRACTOR - - MODEL NUMBER WP1842A

CHASSIS AND ENCLOSURES



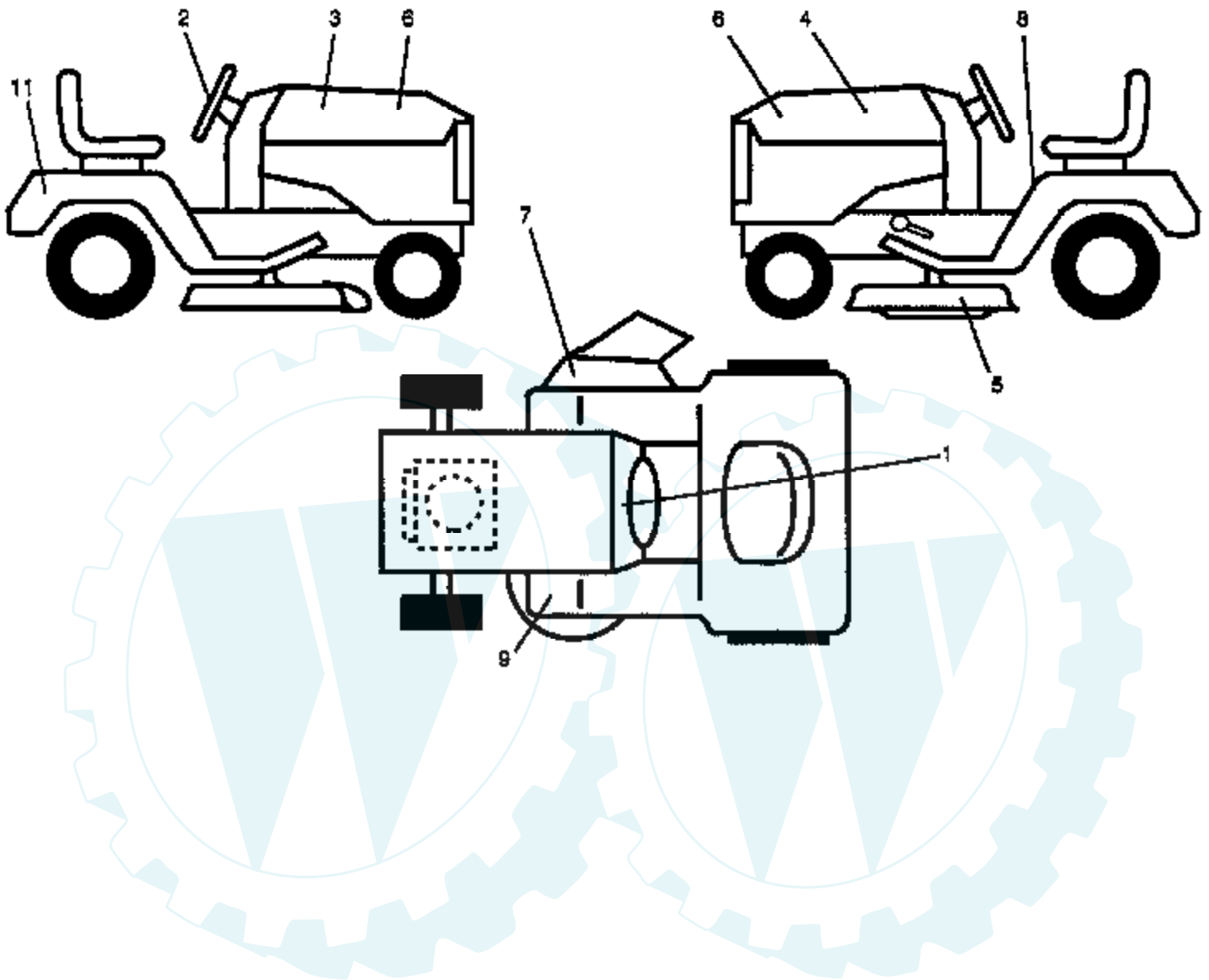
- | A | B | C | D | E | F | G | H | J | K | L | M | N | O | P | Q | R | S | T | U | V | W | X | Y | Z | AA | BB |
|----|----|----|----|----|----|----|----|----|----|----|----|----|----|----|----|----|-----|----|----|----|-----|-----|-----|----|----|----|
| 3 | 76 | 64 | 7 | 43 | 73 | 14 | 79 | 27 | 88 | 32 | 21 | 45 | 48 | 19 | 91 | 81 | 100 | 59 | 60 | 68 | 109 | 110 | 55 | 35 | 84 | 97 |
| 77 | 28 | | 75 | | 85 | 38 | 62 | | | | 47 | 45 | 49 | 20 | 92 | 92 | | 55 | 67 | 58 | 38 | 111 | 111 | 87 | 36 | 95 |
| | | | | | | | | | | | 22 | 22 | 22 | | | | | 54 | 54 | | | | | | | |

Ref #	Part Number	Qty	Description
1	135034		SUB= 145501
2	130805		SUB= 145009
3	17490612		SCREW
6	131005X020		SADDLE SILKSCREEN 6D ENG YT LH
7	17490608		SCREW LT
9	124252X		SUB= 140398
11	132178		DASH PANEL LH
13	132069		SUB= 532132069
14	17490612		SCREW
15	135040X011		DASH PLATE
16	132177		LOWER DASH
17	132635X505		SUB= 150301X505
18	74180512		SCREW
19	19111116		WASHER
20	73510500		NUT
21	74760620		SUB= 74780620
22	19131312		WASHER
23	73680600		SUB= 73690600
24	124130X		SUPPORT ASS'Y
25	10040400		LOCKWASHER
26	73220400		SUB= 50675
27	74180512		SCREW
28	131716		SUB= 532131716
30	121642X505		FENDER
31	105509X		SUB= 137113
32	17490612		SCREW
33	105465X505		SUB= 145244X505
34	105464X505		SUB= 145243X505
35	72110606		BOLT
36	73680600		SUB= 73690600
37	133671		FOOTREST PAD
38	105419X505		GRILL STRAP
39	73510500		NUT
41	106784X		SUB= 155013
42	104618X		SUB= 155013
43	73510400		NUT
44	109808X		HOOD LATCH T
45	74191008		SCREW
46	1007100		WASHER LOCK #10
47	2029J		WELDNUT
48	123481X		SUB= 7605J
49	73680400		SUB= 73690400
53	132636X505		"PANEL,SIDE RH"
54	132637X505		"PANEL,SIDE LH"
55	19091216		WASHER PM
56	73220400		SUB= 50675
57	7206J		SPACER LT
58	19070818		WASHER
59	73731000		NUT
60	74981020		SCREW
61	105511X		SUB= 140675
62	105531X		NUT-PUSH YT
66	123198X		SUB= 146525
71	124392X417		SUB= 147717
72	106395X		LENS LT
73	17211010		SCREW LT
74	106965X		SUB= 140181
75	104755X		"J" FASTENER LT"

Ref #	Part Number	Qty	Description
76	17490512		SCREW
77	19131210		WASHER
78	132644		SUB= 532132644
79	17490412		SCREW HEX CRT
80	19091016		WASHER
84	19091216		WASHER PM
85	74760512		BOLT
87	73510500		NUT
88	74760620		SUB= 74780620
91	74760612		SUB= 74780612
92	73680600		SUB= 73690600
93	11050600		LOCKWASHER
94	74760612		SUB= 74780612
95	19131312		WASHER
96	73680600		SUB= 73690600
97	17490608		SCREW LT
100	2751R		CLIP T
103	9151R		SNAP BUSHING T
104	110436X		SUB= 9151R
105	72140606		BOLT
106	134775		PIVOT BRKT RH
107	134774		PIVOT BRKT LH
108	135029		MUFFLER GUARD
109	72110608		BOLT D
110	17490616		SCREW GTV
111	19131316		WASHER

18 HP 42" TRACTOR - - MODEL NUMBER WP1842A

DECALS

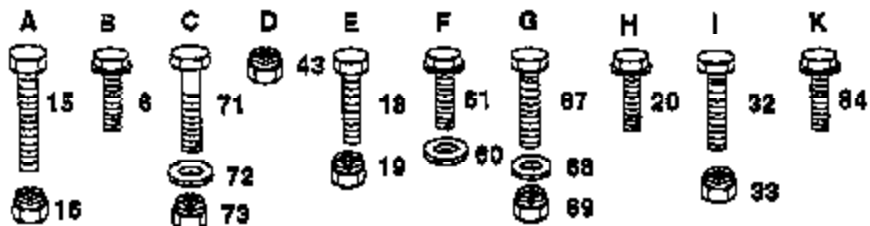
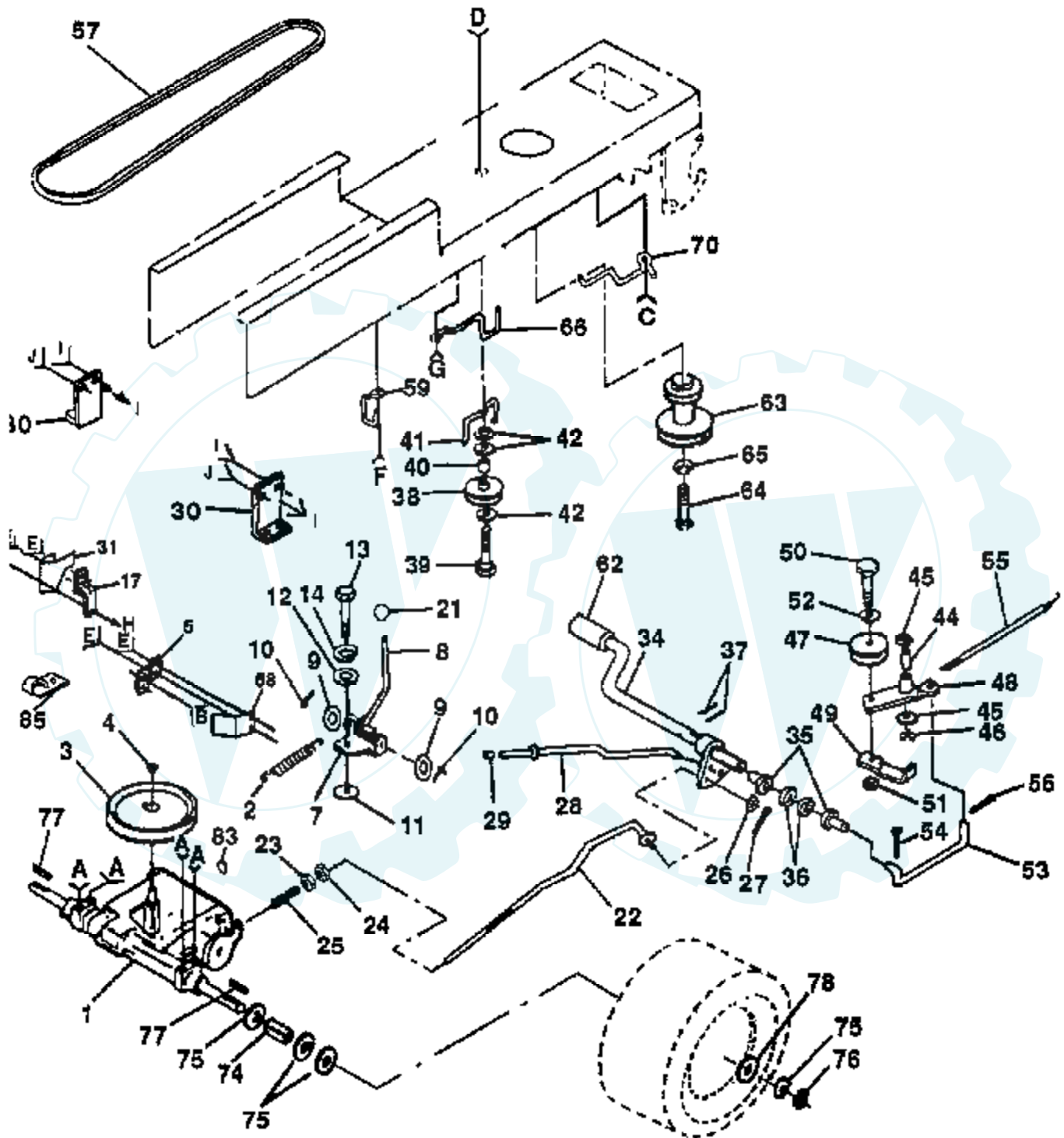


Ref #	Part Number	Qty	Description
1	108456X		SUB= 138955
2	135845		DECAL, INSERT
3	135865		DECAL.HOOD.RH
4	135864		DECAL.HOOD.LH
5	3713J		DECAL INSTRUCTION CAUTION
6	135847		DECAL, MODEL HOOD
7	121343X		DECAL WARING
8	133796		DECAL
9	4900J		DECAL T
11	135842		DECAL, LOGO, FENDER
	132704		MANUAL, OPERATOR'S
	136142		"MANUAL,PARTS"



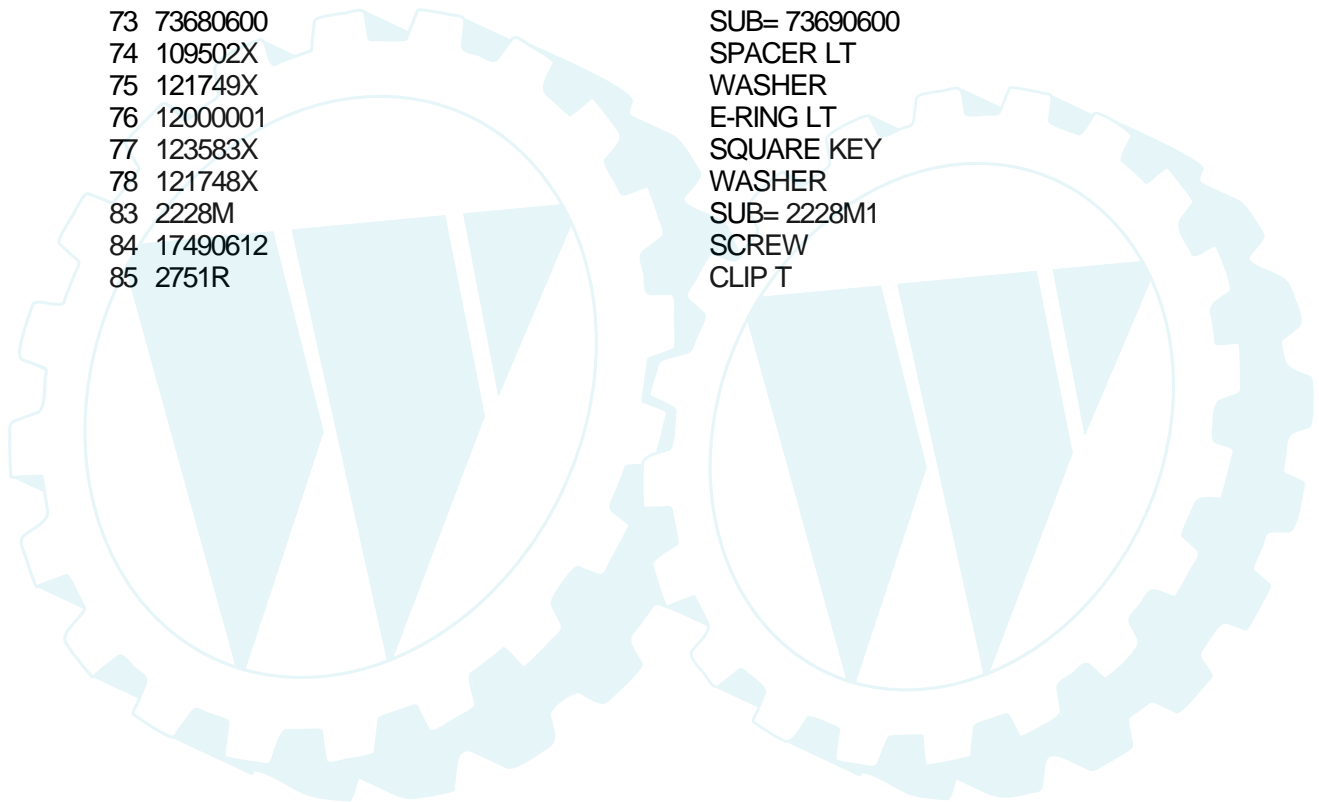
18 HP 42" TRACTOR -- MODEL NUMBER WP1842A

DRIVE



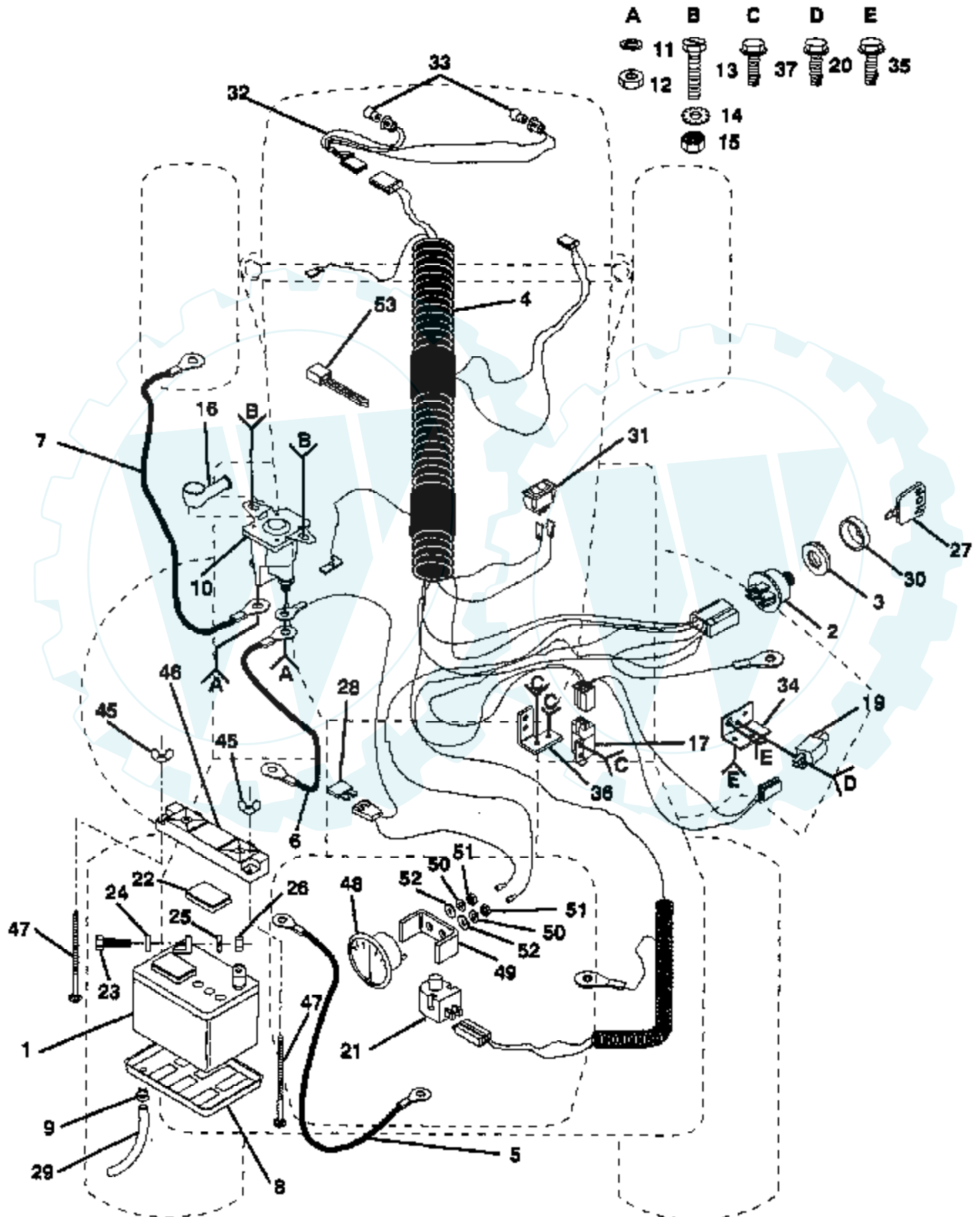
Ref #	Part Number	Qty	Description
1	131965		SUB= 137367
2	110422X		SUB= 146682
3	123667X		"PULLEY,TRANSAXLE"
4	12000028		SUB= 2267J
5	121520X		STRAP TORQUE
6	17490512		SCREW
7	130802		SUB= 162240
8	131679		SHIFT ROD
9	19151216		WASHER
10	76020416		PIN COTTER 1/8
11	105701X		WASH-SHFT PLT LT
12	19091210		WASHER LT
13	71040412		SUB= 74550412
14	10040400		LOCKWASHER
15	74760540		BOLT
16	73680500		SUB= 73690500
17	121520X		STRAP TORQUE
18	74760612		SUB= 74780612
19	73680600		SUB= 73690600
20	17490512		SCREW
21	106933X		KNOB T (1/2-HOLE)
22	130804		BRAKE ROD
23	73800600		NUT
24	73350600		NUT
25	106888X		SPRING ROD LT
26	19131316		WASHER
27	76020412		COTTER PIN
28	133261		BRAKE PARK ROD
29	71673		PLUNGER CAP T
30	130807		TRANSAXLE MTG BKT
31	127289		"KEEPER,BELT LH"
32	74760512		BOLT
33	73680500		SUB= 73690500
34	122424X		SUB= 149001
35	120183X		NYLON BEARING
36	19211616		WASHER LT
37	1572H		SUB= 2882J
38	123674X		PULLEY.IDLER.FLAT
39	74760644		BOLT
40	4470J		SPACER T
41	109070X		BELT KEEPER LT
42	19131312		WASHER
43	73680600		SUB= 73690600
44	105706X		"LY, BEARING"
45	110812X		WASHER LT
46	12000039		KLIP RING
47	127783		SUB= 139245
48	123789X		ARM IDLER
49	123205X		RETAIN BELT
50	74760624		SUB= 74930624
51	73680600		SUB= 73690600
52	19131316		WASHER
53	105710X		"LINK, CLUTCH T"
54	76020412		COTTER PIN
55	105709X		"SPRING, RETURN LT"
56	76020412		COTTER PIN
57	131006		BELT-V
58	127290		"KEEPER,BELT RH"

Ref #	Part Number	Qty	Description
59	104777X		SUB= 140312
60	19131312		WASHER
61	17490612		SCREW
62	8883R		PEDAL COVER T
63	134825		SUB= 136004
64	71170764		BOLT
65	10040700		LOCKWASHER
66	129921		KEEPER.BELT.ENG.L
67	74760616		BOLT
68	19131312		WASHER
69	73680600		SUB= 73690600
70	134683		KEEPER BELT ENG
71	74760616		BOLT
72	19132012		WASHER
73	73680600		SUB= 73690600
74	109502X		SPACER LT
75	121749X		WASHER
76	12000001		E-RING LT
77	123583X		SQUARE KEY
78	121748X		WASHER
83	2228M		SUB= 2228M1
84	17490612		SCREW
85	2751R		CLIP T



18 HP 42" TRACTOR - - MODEL NUMBER WP1842A

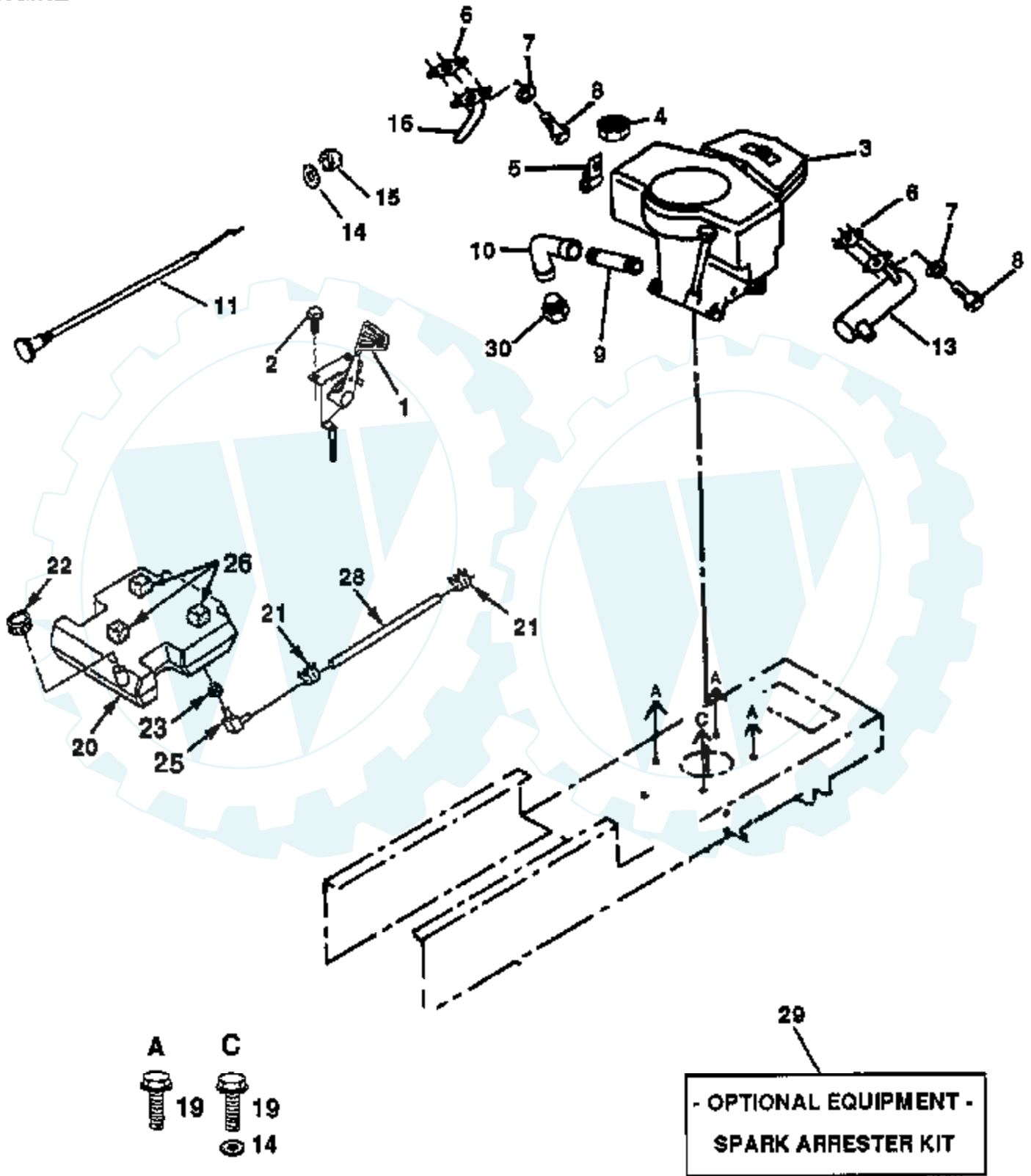
ELECTRICAL



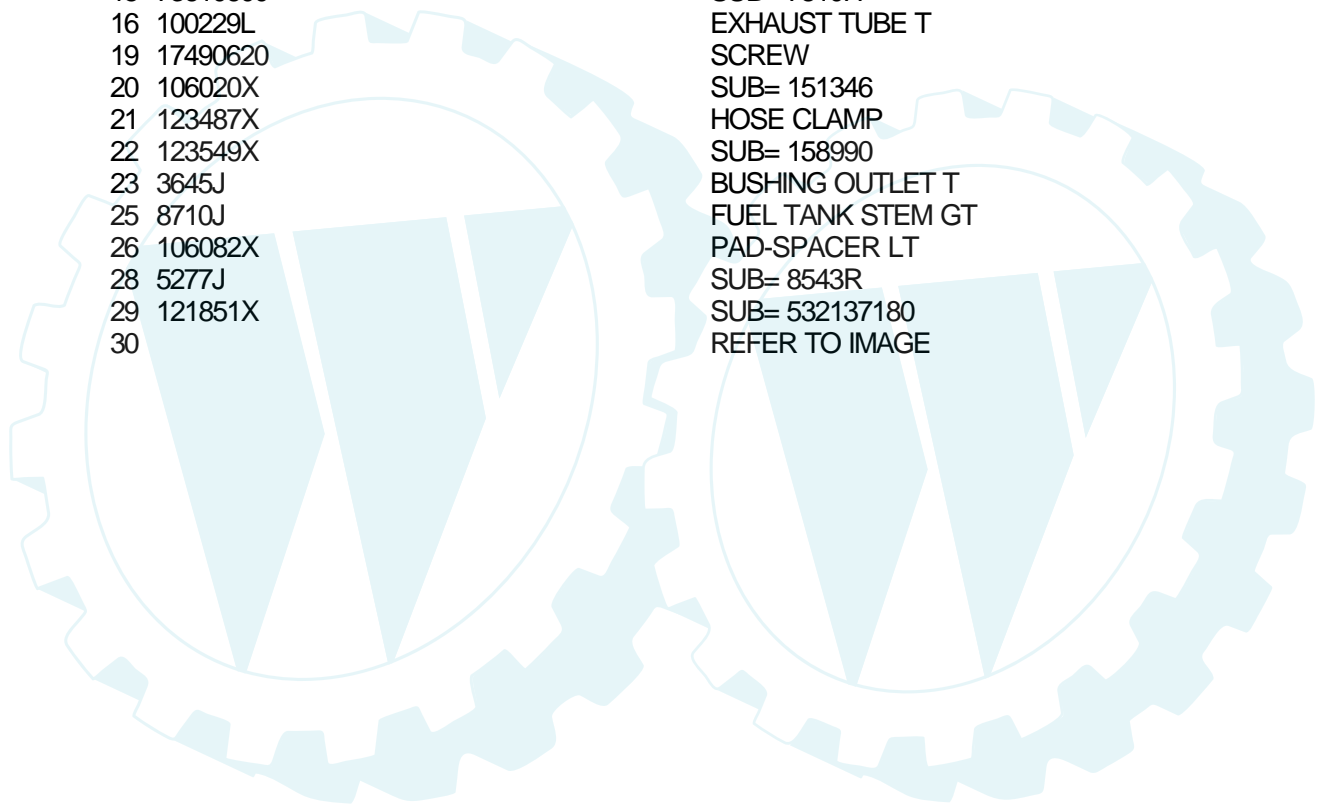
Ref #	Part Number	Qty	Description
1	121265x		No Desc
2	4406r		No Desc
3	124211x		NUT IGNITION
4	134298		IGNITION HARNESS
5	4207j		CABLE T
6	4206j		CABLE-BATTERY T
7	4799j		CABLE T, BATTERY
8	7603j		TRAY T, BATTERY
9	109596x		HOSE CLAMP T
10	109081x		No Desc
11	10090400		SUB= 10040400
12	73350400		NUT
13	74780408		BOLT
14	11050400		LOCKWASHER
15	73510400		NUT
16	131563		SUB= 154336
17	109553x		SWITCH INTERLOCKT
19	104445x		SWITCH-INTER. GT
20	17021008		SCREW
21	121305x		SWITCH SEAT
22	121264x		CAP,BATTERY *
23	74760412		BOLT LT
24	19091016		WASHER
25	10040400		LOCKWASHER
26	73220400		SUB= 50675
27	122147x		KEY
28	108824x		FUSE HYT
29	7604j		No Desc
30	123620x		No Desc
31	110712x		SWITCH LT
32	127441x		No Desc
33	7662j		No Desc
34	108236x		BRACKET LT
35	17021008		SCREW
36	130890		SWITCH BRACKET
37	17021008		SCREW
45	123198x		No Desc
46	102476x		No Desc
47	72240460		BOLT
48	9433r		AMMETER T
49	131708		SUB= 532131708
50	10101000		SUB= 10071000
51	73911000		NUT
52	19070818		WASHER
53	7192j		WIRE TIE

18 HP 42" TRACTOR -- MODEL NUMBER WP1842A

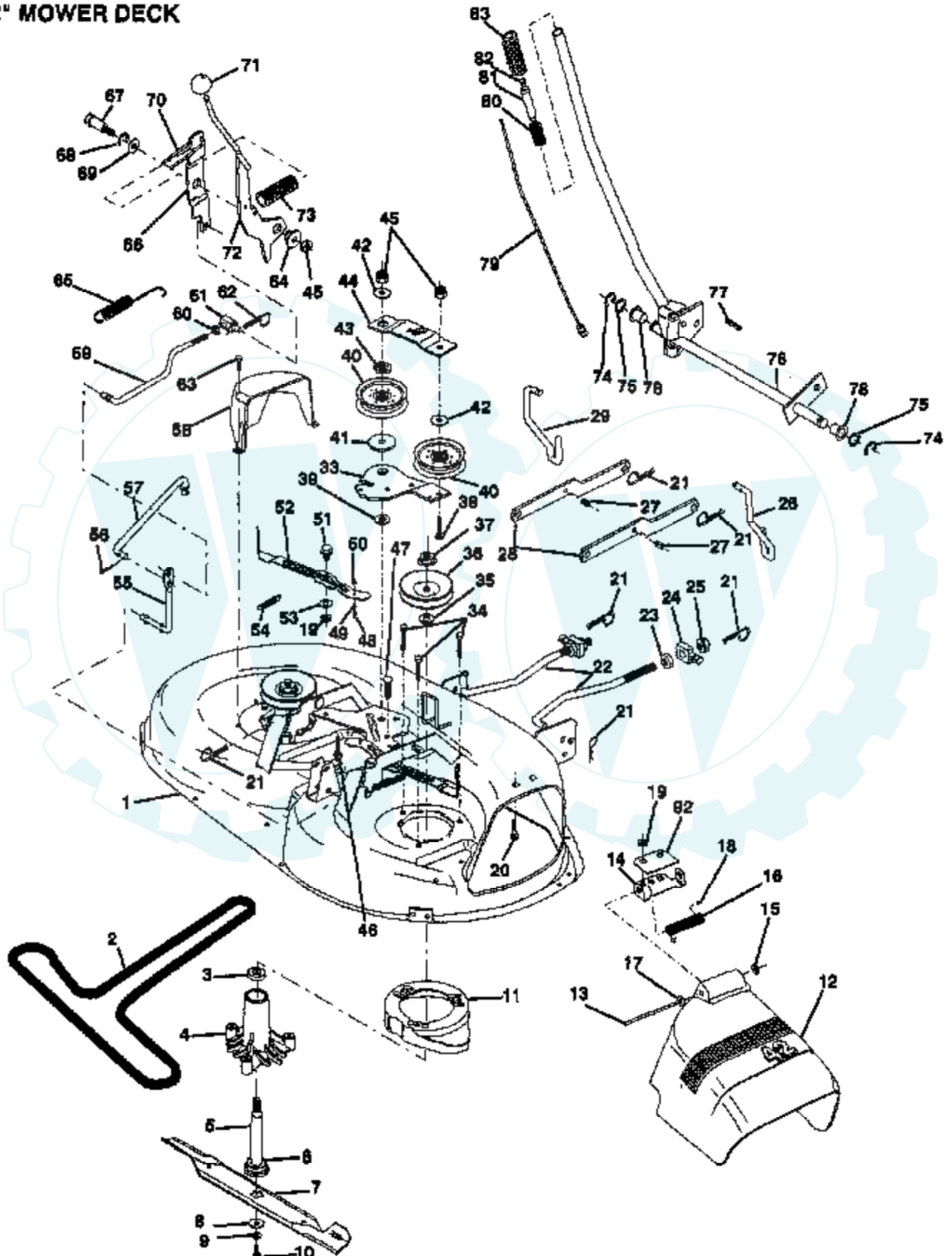
ENGINE



Ref #	Part Number	Qty	Description
1	132747		SUB= 532132748
2	17720410		SCREW LT
3			REFER TO IMAGE
4	73510600		NUT
5	2751R		CLIP T
6	8545J		SUB= 272250
7	10040400		LOCKWASHER
8	74780412		SUB= 74780414
9	13280336		PIPE NIPPLE LT
10	13200300		ELBOW
11	132781		CHOKE CONTROL
13	108373X		MUFFLER HYT
14	11050600		LOCKWASHER
15	73610600		SUB= 7810H
16	100229L		EXHAUST TUBE T
19	17490620		SCREW
20	106020X		SUB= 151346
21	123487X		HOSE CLAMP
22	123549X		SUB= 158990
23	3645J		BUSHING OUTLET T
25	8710J		FUEL TANK STEM GT
26	106082X		PAD-SPACER LT
28	5277J		SUB= 8543R
29	121851X		SUB= 532137180
30			REFER TO IMAGE



18 HP 42' TRACTOR - - MODEL NUMBER WP1842A 42" MOWER DECK

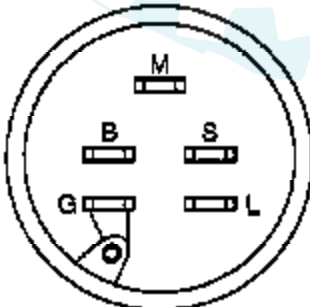
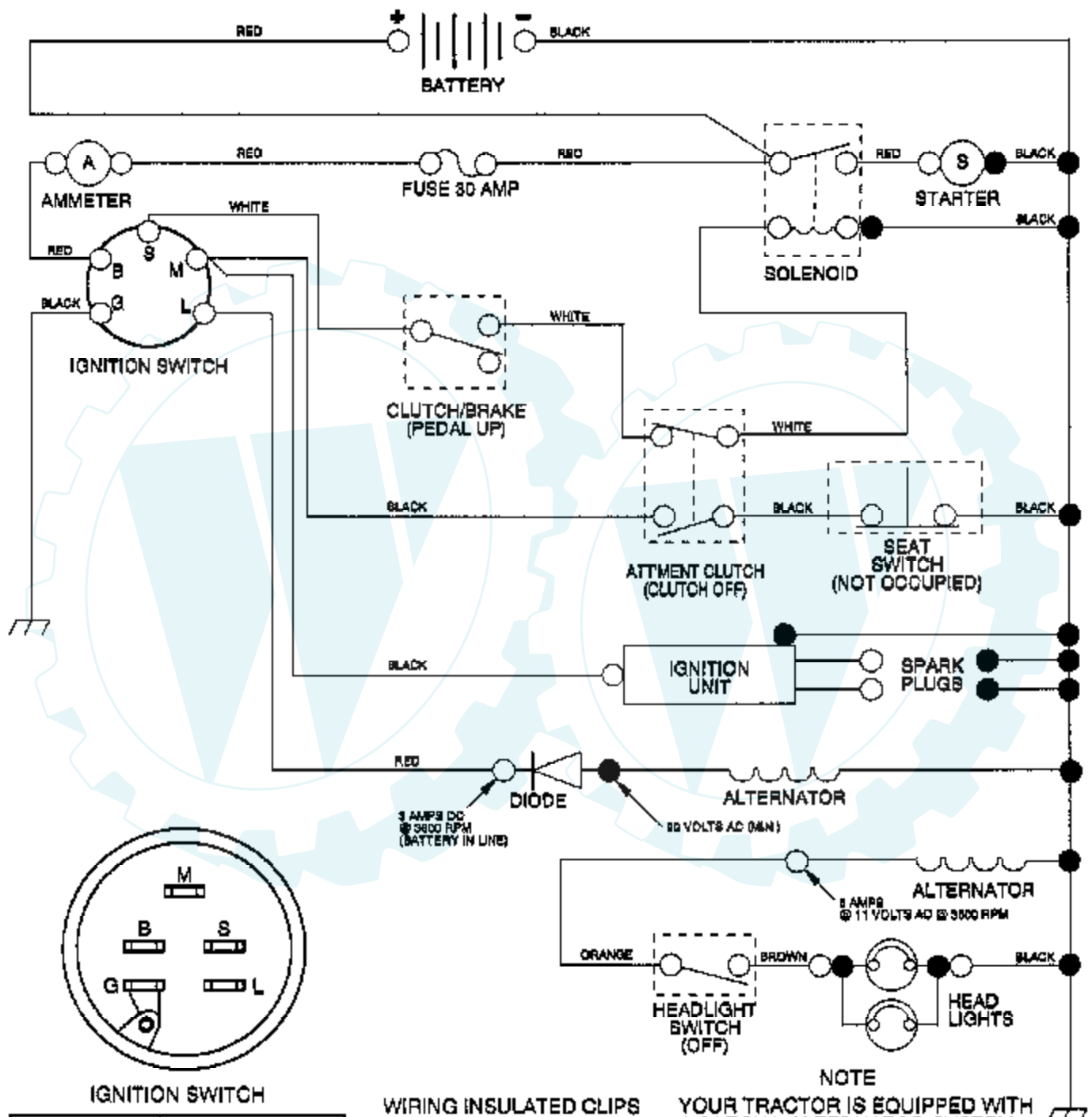


Ref #	Part Number	Qty	Description
1	130970		SUB= 145338
2	130969		BELT-V.92.4.MWR
3	110485X		BEARING
4	128774		HSG ASM MANDREL
5	133172		SUB= 137646
6	129895		BEARING.BALL
7	127843		SUB= 138498
8	129962		WASHER BLADE
9	10030600		SUB= 10040600
10	850857		BLADE BOLT
11	128961		SUB= 140329
12	130968		DEFLECTOR.SHIELD
13	131491		HINGE ROD
14	131267		DEFLECTOR BRKT
15	110452X		NUT PUSH M
16	123713X		SPRING TORSION
17	19111016		WASHER
18	105304X		CAP-SLEEVE LT
19	73680500		SUB= 73690500
20	72140506		BOLT
21	4939M		SUB= 85902
22	127218		LINK.FRONT
23	73350800		NUT
24	130171		TRUNION
25	73800800		NUT.LK.W/WSH.1/2.
26	135388		LIFT LINK RH
27	135563		"PIN,SPRING"
28	130832		SUB= 130833
29	134619		LINK LIFT LH
33	133844		IDLER ARM
34	78158		SUB= 17580520
35	129963		WASHER
36	129861		SUB= 153535
37	73050900		SUB= 139729
38	72110614		BOLT
39	133943		HARDENED WASHER
40	131494		FLAT IDLER PULLEY
41	122052X		SPACER RETAINER
42	19131612		WASHER GT
43	133502		RETAINER SPACER
44	133503		IDLER ARM STIFF
45	73680600		SUB= 73690600
46	72110618		BOLT CARRIAGE
47	133835		XMAS TREE FASTNER
48	131340		SHOULDER BOLT
49	133940		SUB= 151785
50	69180		LOCKNUT
51	105529X		SUB= 139888
52	131845		BRAKE PAD ARM ASM
53	133944		HARD SMALL WASHER
54	131335		SPRING EXTENSION
55	133551		PIVOT ROD
56	76020312		SUB= 3145
57	133504		CLUTCH ROD SECOND
58	131857		SUB= 140088
59	133550		SUB= 142427
60	73350600		NUT
61	133205		TRUNION

Ref #	Part Number	Qty	Description
62	4497H		RETAINER M
63	17720410		SCREW LT
64	127498		BUSHING
65	131870		RETURN SPRING
66	127847		CLUTCH ARM SECOND
67	128903		SHOULDER BOLT
68	12000029		RING
69	121748X		WASHER
70	127845		SPRING KEEPER
71	132044		SUB= 532132044
72	131813		SUB= 532131813
73	128759		SUB= 918128759
74	12000002		SUB= 2225J
75	19211416		WASHER
76	132172		LIFT SHAFT ASM
77	105767X		PIN-GROOVE LT
78	120183X		NYLON BEARING
79	132175		SUB= 136973
80	122512X		SUB= 532122512
81	122364X		SUB= 125925X
82	124526X		SUB= 125925X
83	109413X		GRIP
92	134753		STIFFENER BRKT
	130794		MANDREL ASM
	134745		SUB= 145411

18 HP 42" TRACTOR - - MODEL NUMBER WP1842A

SCHEMATIC



IGNITION SWITCH

POSITION	CIRCUIT
OFF	M + G
ON	B + L
START	B + S

WIRING INSULATED CLIPS
NOTE IF WIRING INSULATED CLIPS WERE REMOVED FOR SERVICING OF UNIT, THEY SHOULD BE REPLACED TO PROPERLY SECURE YOUR WIRING

NOTE
YOUR TRACTOR IS EQUIPPED WITH A SPECIAL ALTERNATOR SYSTEM. THE LIGHTS ARE NOT CONNECTED TO THE BATTERY, BUT HAVE THEIR OWN ELECTRICAL SOURCE. BECAUSE OF THIS, THE BRIGHTNESS OF THE LIGHTS WILL CHANGE WITH ENGINE SPEED. AT IDLE THE LIGHTS WILL DIM. AS THE ENGINE IS SPEEDED UP, THE LIGHTS WILL BECOME THEIR BRIGHTEST.

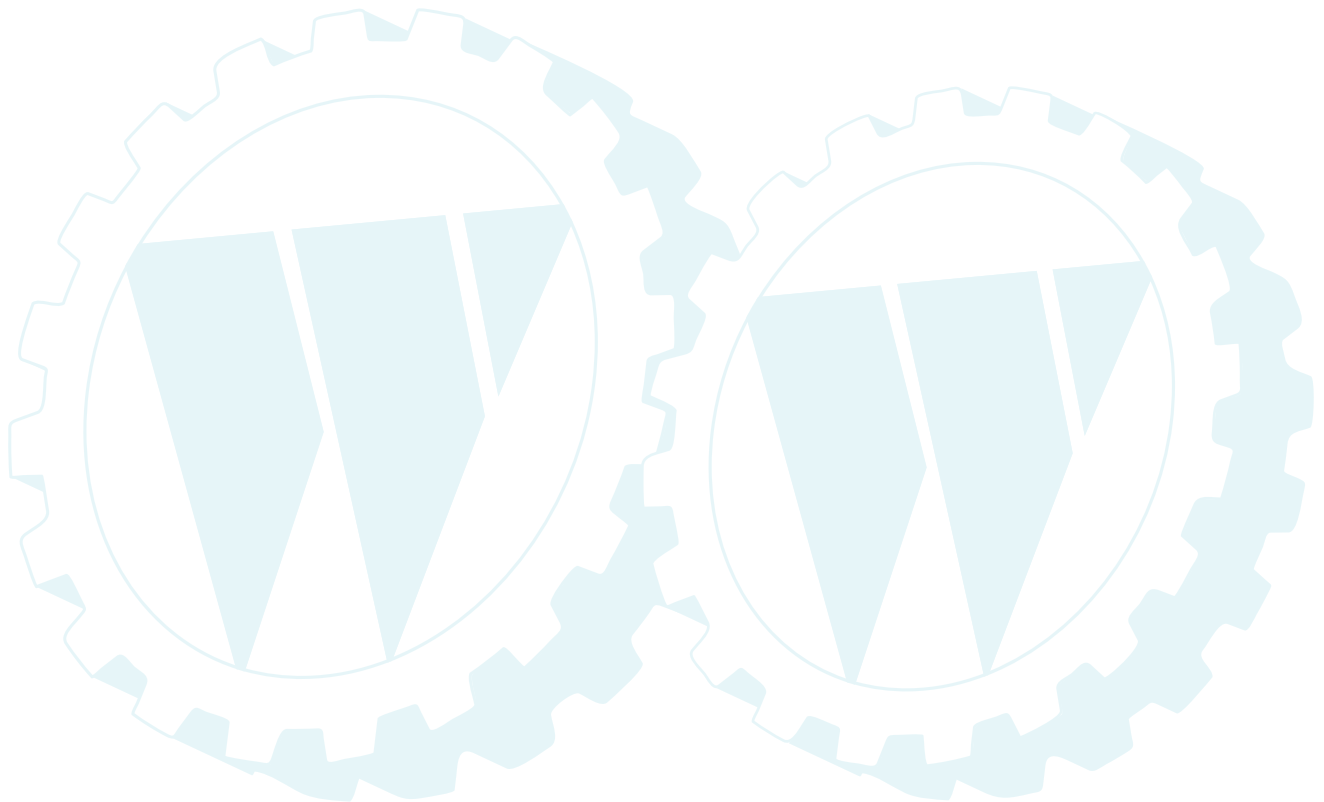
● NON-REMOVABLE CONNECTIONS

○ REMOVABLE CONNECTIONS

Ref # Part Number

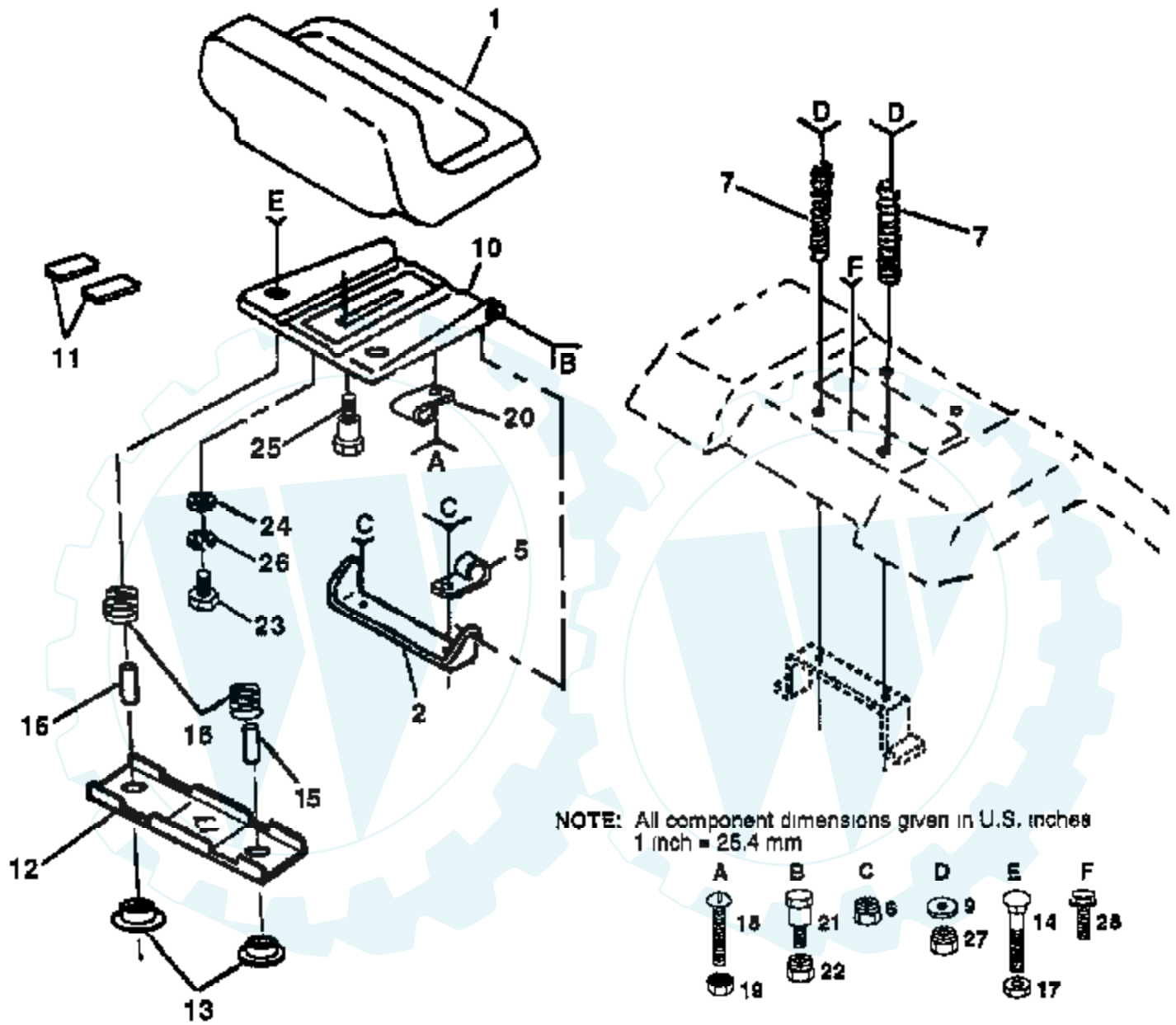
Qty Description

REFER TO IMAGE

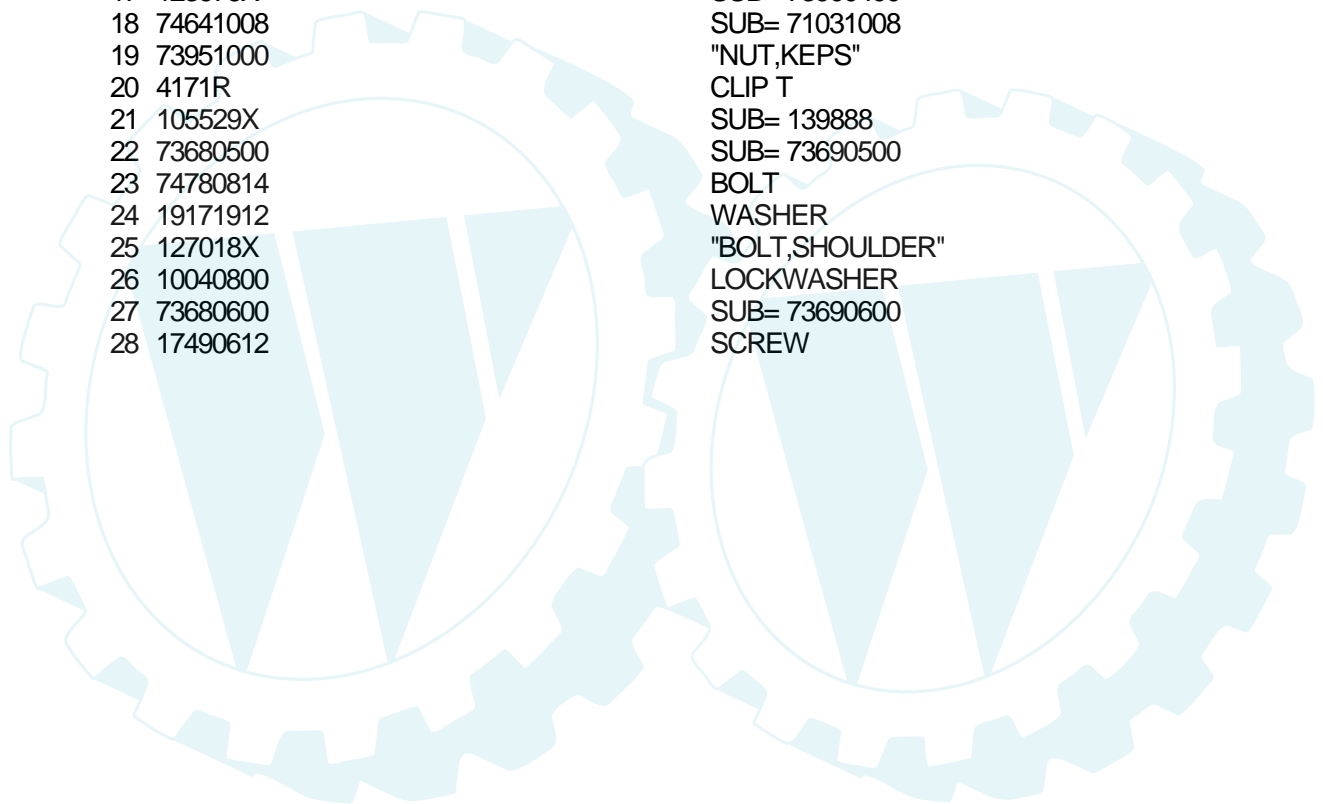


18 HP 42" TRACTOR -- MODEL NUMBER WP1842A

SEAT ASSEMBLY

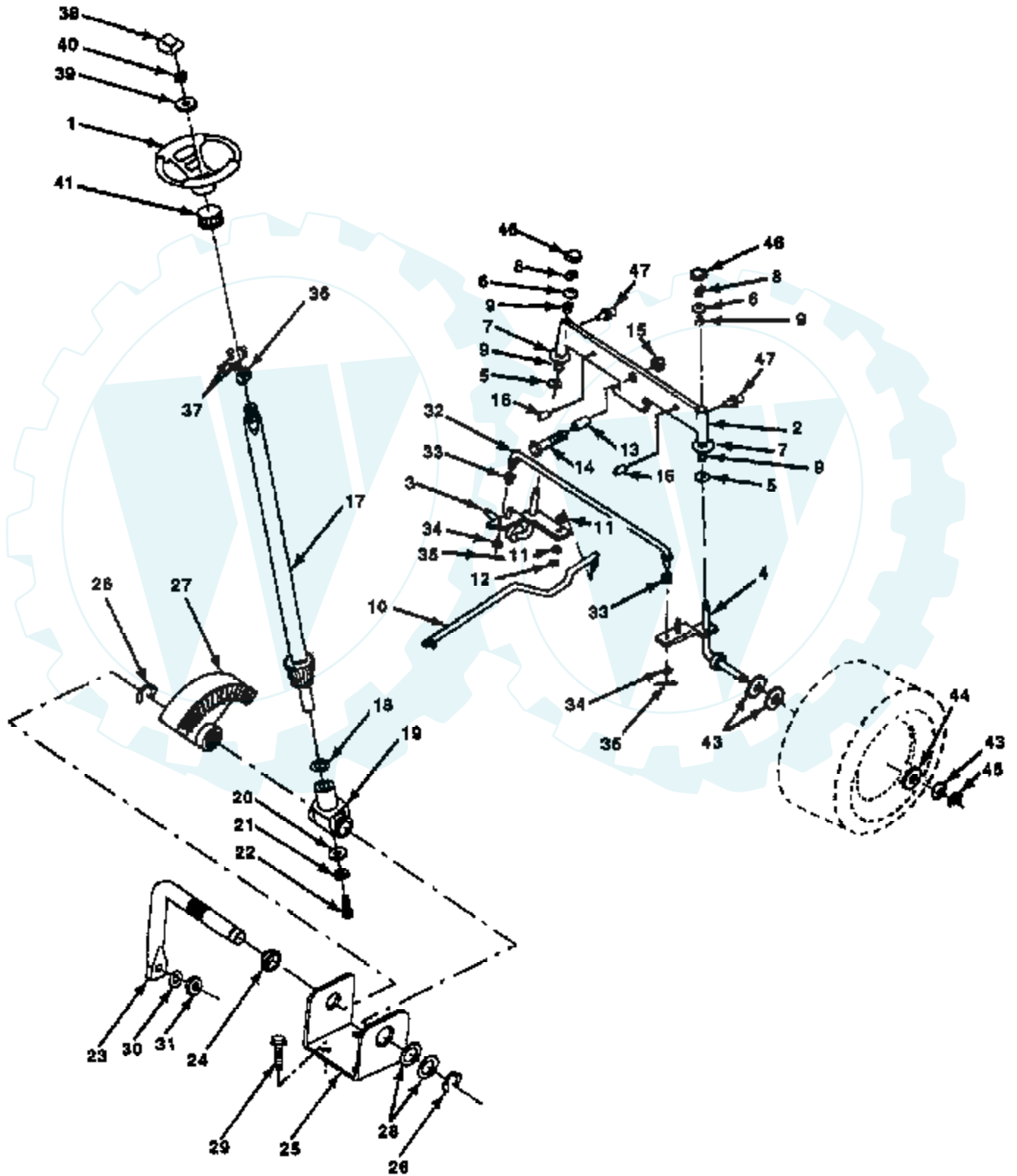


Ref #	Part Number	Qty	Description
1	127424X		SUB= 140121
2	126656X		SUB= 140551
5	2751R		CLIP T
6	73680600		SUB= 73690600
7	124181X		SPRING COMPRESSIO
9	19131614		WASHER
10	131451		SUB= 155925
11	121251X		STRIP FORM
12	121246X		BRKT SWITCH
13	121248X		BUSHING
14	72050411		SUB= 872050411
15	121249X		SPACER SPLIT
16	121250X		SPRING
17	123976X		SUB= 73900400
18	74641008		SUB= 71031008
19	73951000		"NUT,KEPS"
20	4171R		CLIP T
21	105529X		SUB= 139888
22	73680500		SUB= 73690500
23	74780814		BOLT
24	19171912		WASHER
25	127018X		"BOLT,SHOULDER"
26	10040800		LOCKWASHER
27	73680600		SUB= 73690600
28	17490612		SCREW



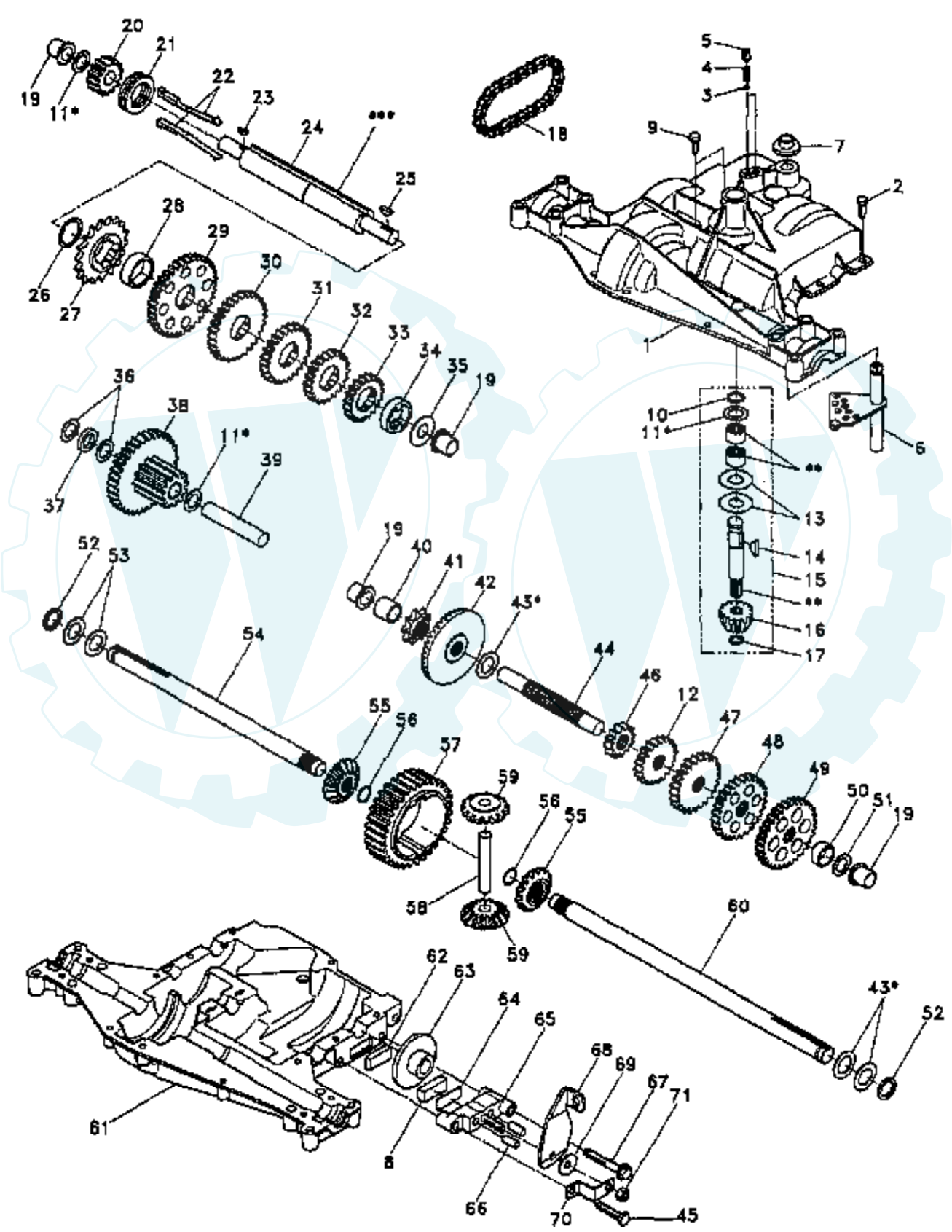
18 HP 42" TRACTOR - - MODEL NUMBER WP1842A

STEERING ASSEMBLY



Ref #	Part Number	Qty	Description
1	121472X		SUB= 150546
2	133988		SUB= 142033
3	135227		SPINDLE LH
4	135228		SPINDLE RH
5	6266H		WASHER .T
6	121748X		WASHER
7	19270216		WASHER
8	12000029		RING
9	3366R		COL. SRTG. BEAR.
10	130468		SUB= 532130468
11	10040600		LOCKWASHER
12	73610600		SUB= 7810H
13	110438X		BEARING
14	74011056		BOLT HEX 5/8-11
15	73601000		SUB= 73901000
16	132624		AXLE PIN
17	128758		STEERING SHAFT
18	57079		THRUST WASHER
19	124035X		SUPPORT.SHAFT
20	126684X		SUB= 532126684
21	10040400		LOCKWASHER
22	71070410		"SCREW,SPECIAL"
23	127501		SUB= 918127501
24	109816X		NYLINER T
25	124036X		"BRKT,STEERING"
26	12000029		RING
27	124034X		SUB= 136874
28	6266H		WASHER .T
29	17490612		SCREW
30	10040600		LOCKWASHER
31	73610600		SUB= 7810H
32	130465		TIE ROD
33	126847X		BUSHING.DRAGLINK
34	19131416		WASHER
35	76020412		COTTER PIN
36	1554J		SUB= 155108
37	17431008		SUB= 98000165
38	126805X		"INSERT,STR WHEEL"
39	100712K		WASHER
40	73940800		SUB= 73360800
41	100711L		ADAPTER LT
43	121749X		WASHER
44	121748X		WASHER
45	12000029		RING
46	121232X		CAP
47	6855M		ZERK M

18 HP 42" TRACTOR - - MODEL NUMBER WP1842A
DANA TRANSAXLE - - MODEL NUMBER 4360-37



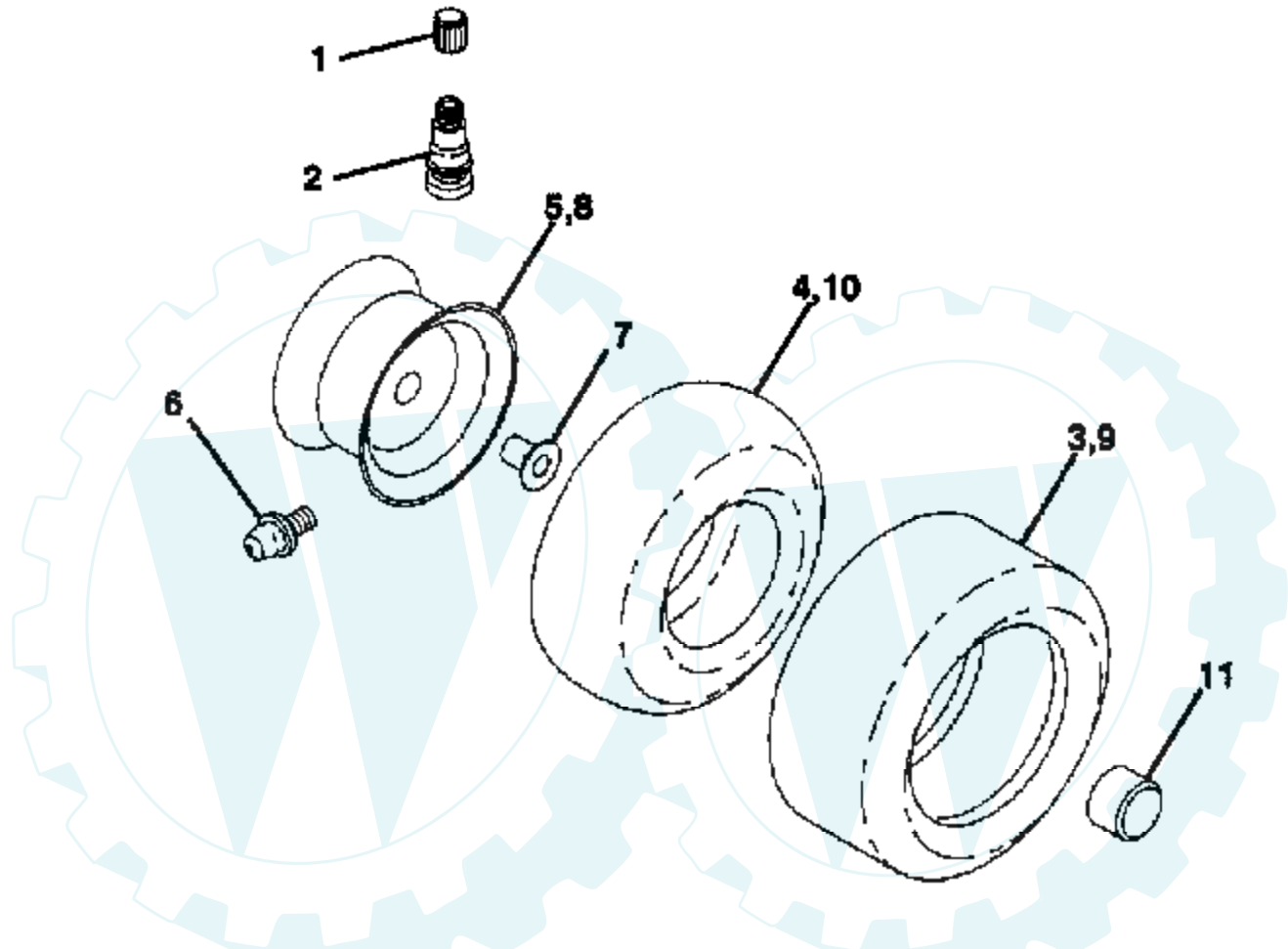
Ref #	Part Number	Qty	Description
1	3865-A		HOUSING UPPER
2	1919		SCREW
3	5112		BALL, DETENT
4	3626		SPRING, DETENT
5	3623		SCREW, SET
6	4601		KIT SHIFTER ASSY
7	5024		BOOT, SHIFTER
8	3907		PUCK, FRICTION
13	3876		WASHER, PLAIN .632 X 1.38 X .046
14	1374		KEY WOODRUFF #9
15	4171		ASSY KIT INPUT SHAFT
16	3725		PINION BEVEL 14 TEETH
17	3624		RING, RETAINING
18	3625		CHAIN, 24 PITCHES
19	1542		BEARING, FLANGE
20	3773		GEAR SPUR, 14 TEETH
21	3631		COLLAR CLUTCH
22	5266		KEY CLUTCH
23	1369		KEY WOODRUFF #3
24	3883		SHAFT INTERMEDIATE
25	1375		KEY, WOODRUFF, #61
26	3627		RING, RETAINING
27	3830		SPROCKET, 18 TEETH
28	3841		SPACER
29	3786		GEAR, SPUR, 37 TEETH
30	3785		GEAR, SPUR, 35 TEETH
31	3867		GEAR, SPUR, 30 TEETH
32	3783		GEAR, SPUR, 25 TEETH
33	3869		GEAR, SPUR, 22 TEETH
34	5202		GEAR, SPUR, 19 TEETH
35	3628		WASHER, PLAIN .640 X 1.37 X .061
36	1423		WASHER, PLAIN .632 X 1.00 X .026
37	3422		SPACER .630 X 1.00 X .169
38	4286		ASSY GEAR COMB 12&35 TEETH
39	3967		SHAFT, IDLER
40	3901		SPACER .635 X .875 X .755
41	3645		SPROCKET, 9 TEETH
42	3589		GEAR, BEVEL, 42 TEETH
43	4691		ASSY, KIT, SHIM .750 SHAFT
44	3882		SHAFT, DRIVE
45	3724		SCREW TAPPING
46	3646		GEAR, SPUR, 12 TEETH
47	3866		GEAR, SPUR, 20 TEETH
48	3719		GEAR, SPUR, 25 TEETH
49	3868		GEAR, SPUR, 28 TEETH
50	3683		GEAR, SPUR, 31 TEETH
51	1145		WASHER, PLAIN .632 X 1.00 X .060
52	5130		WASHER, NEOPRENE
53	3184		WASHER, PLAIN .758 X 1.25 X .031
54	3880		AXLE LEFT HAND
55	3871		GEAR MITER 15 TEETH
56	3656		RING, RETAINING
57	3839		GEAR, SPUR, 32 TEETH
58	3919		SHAFT, CROSS
59	3726		GEAR, MITER, 15 TEETH
60	3881		AXLE, R.H.
61	3864-B		HOUSING LOWER
62	3920		PUCK, FRICTION

Ref #	Part Number	Qty	Description
63	3276		DISC, BRAKE
64	3758		SPACER
65	3916		JAW, BRAKE
66	3843		PIN, DOWEL
67	5120		SCREW, SELF-TAPPING
68	3768		LEVER, ACTUATING
69	3760		WASHER, PLAIN .321 X 1.00 X .055
70	3917		BRACKET, ANTI-ROTATION
71	3847		LOCKNUT 5/16-24
72	4300		GREASE



18 HP 42" TRACTOR - - MODEL NUMBER WP1842A

WHEELS AND TIRES



NOTE: All component dimensions given in U.S. inches
1 inch = 25.4 mm

Ref #	Part Number	Qty	Description
1	59192		VALVE CAP
2	65139		VALVE STEM LT
3	106222X		SUB= 122073X
4	59904		TUBE.5.3/4.5/6
5	106732X361		SUB= 106732X417
6	278H		FITTING LT
7	9040H		"FLANGE, BEARING"
8	106108X361		SUB= 106108X417
9	122082X		SUB= 918122082X
10	7152J		TUBE.18X9.5-8
11	104757X		HUB CAP

