

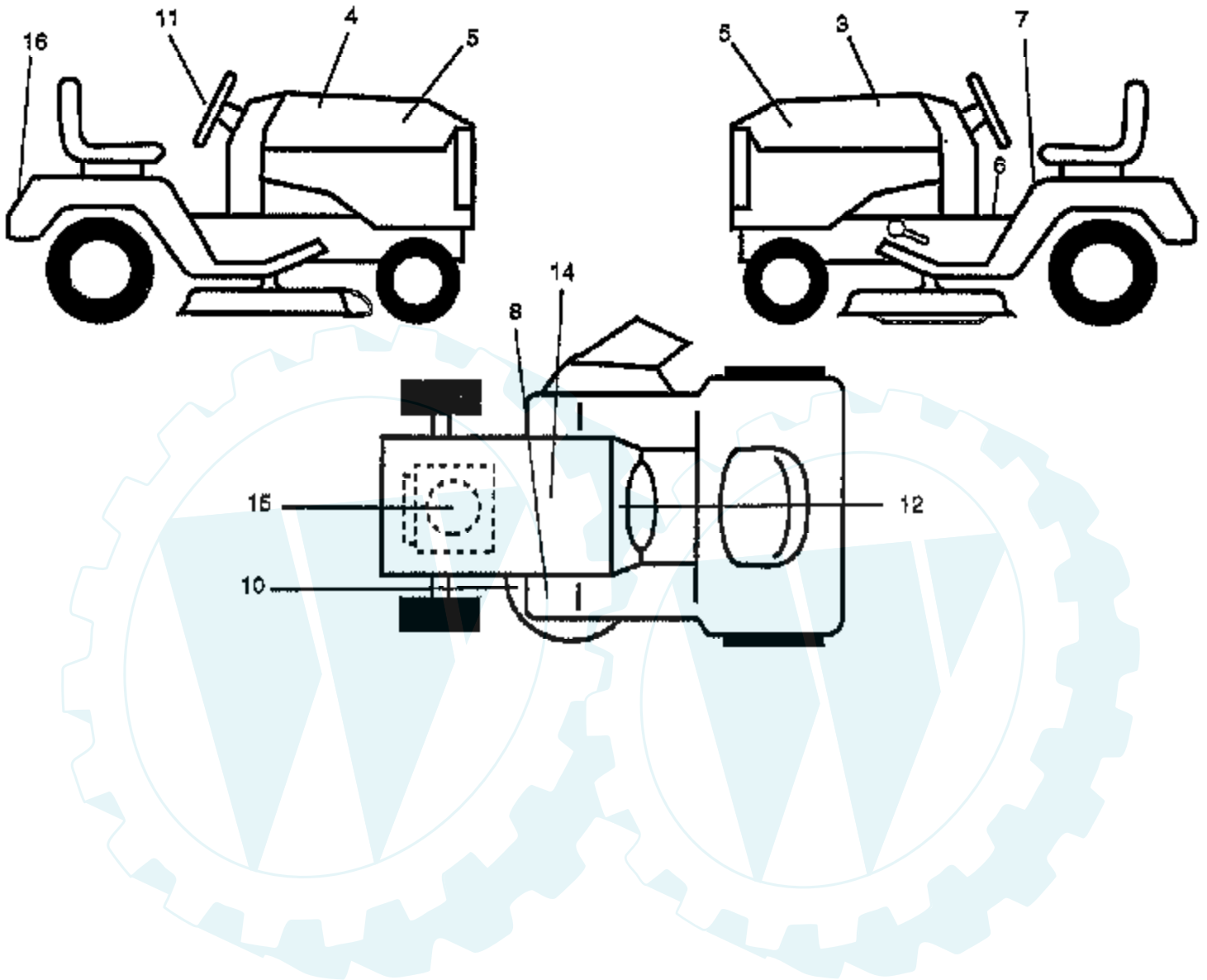
Ref #	Part Number	Qty	Description
1	159530		CHASSIS ASM
2	140356		SUB= 145009
3	17490612		SCREW
6	155923		SADDLE
8	126471X		"CLIP,INSULATOR"
9	140398		DASHBOARD BLACK
10	72140608		SUB= 72110608
11	145218		PANEL.DASH.LH.
13	145217		PANEL.DASH.RH.
15	74180512		SCREW
16	73510500		NUT
17	150301X505		HOOD ASM
24	74780616		BOLT
25	19131312		WASHER
26	73800600		NUT
27	17030814		SUB= 91817030814
28	150196		GRILLE ASM PNT
29	146459		LENS.BAR.CLEAR
30	140001X505		FENDER PNT LT
31	137113		BRKT.ASM.FENDER
33	145244X505		FOOTREST.LH.LT/GT
34	145243X505		FOOTREST.RH.LT/GT
35	72110606		BOLT
36	108067X		PAL NUT LT
38	139886		BRACKET ASM LH
39	139887		BRACKET ASM RH
43	17490616		SCREW GTV
44	140675		STRAP ASM FENDER
45	147717		BEZEL.ASM.
47	105531X		NUT-PUSH YT
50	145205		DASH.SUPT.YP/HUSQ
59	110436X		SUB= 9151R
56	150271		EXT DASH LTYT
64	150272		DASH.LOWER.LT
66	156285X011		"PLATE-DASH,SLSCR"
67	19111116		WASHER
72	144916X505		STRAP.GRILLE.PNT.
71	73680400		SUB= 73690400
73	17580408		SCREW CRT
77	74191008		SCREW
79	2029J		WELDNUT
80	109808X		HOOD LATCH T
82	74981020		SCREW
83	7206J		SPACER LT
85	73731000		NUT
86	150432X505		PANEL SIDE RH
87	150431X505		"PANEL SIDE,LH"
90	19091216		WASHER PM
91	73220400		SUB= 50675
92	10040400		LOCKWASHER
135	74291006		SCREW.10-24X3/8.
136	60867		ACORN NUT RB
137	110356X		SNAP CAP LT
138	110357X		WASHER LT
139	150195		BKT.SPT.HOOD/PANL
140	158418		BRKT SUSPENSION
145	156524		"ROD POVOT.CHASSIS"
147	74760412		BOLT LT

Ref #	Part Number	Qty	Description
	8022J		PLUG-DASH T
	5479J		PLUG BUTTON T CONFLICT W/PART #

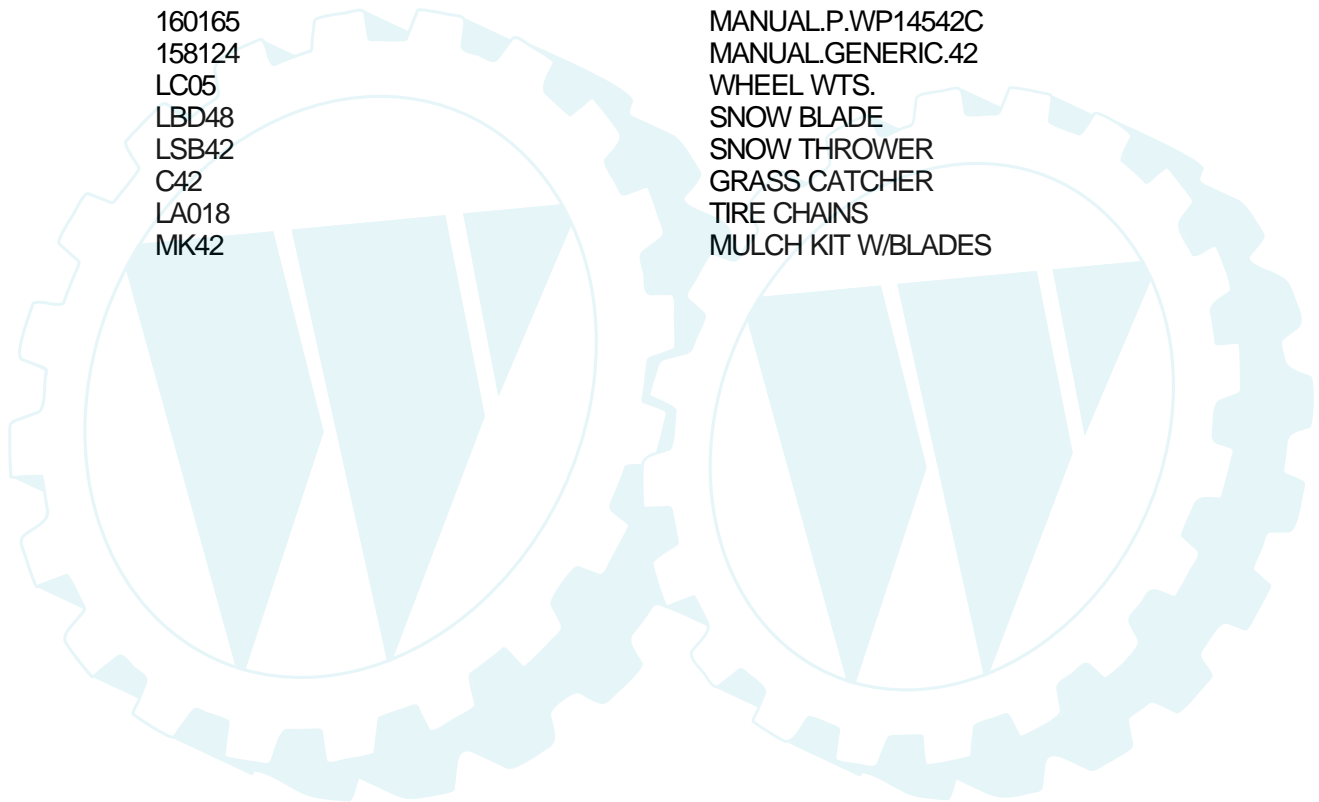


TRACTOR - - MODEL NUMBER WP14542C

DECALS

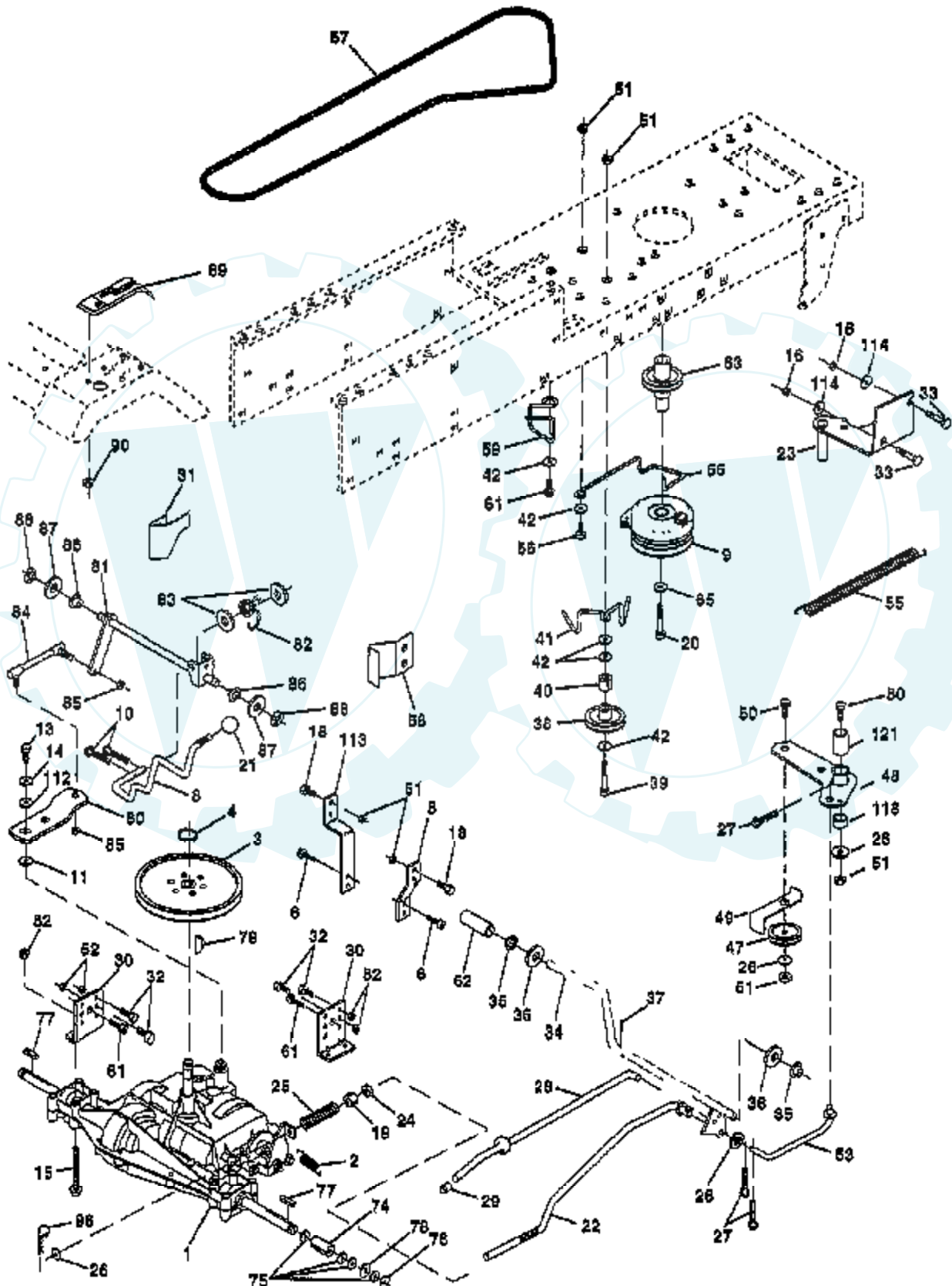


Ref #	Part Number	Qty	Description
3	135865		DECAL.HOOD.RH
4	135864		DECAL.HOOD.LH
5	149214		DECAL.INS.HD.LT.
6	140837		DECAL BRAK PARK
7	133796		DECAL
8	4900J		DECAL T
10	136832		DECAL
11	135845		DECAL, INSERT
12	156834		"DECAL-OPER,GEAR D"
14	145005		DECAL.BATRY.3-3908
15	272991		DECAL, ENGINE
16	135841		DECAL, FENDER LOGO
	133671		FOOTREST PAD
	138311		DECAL HANDLE LIFT
	160165		MANUAL.P.WP14542C
	158124		MANUAL.GENERIC.42
	LC05		WHEEL WTS.
	LBD48		SNOW BLADE
	LSB42		SNOW THROWER
	C42		GRASS CATCHER
	LA018		TIRE CHAINS
	MK42		MULCH KIT W/BLADES



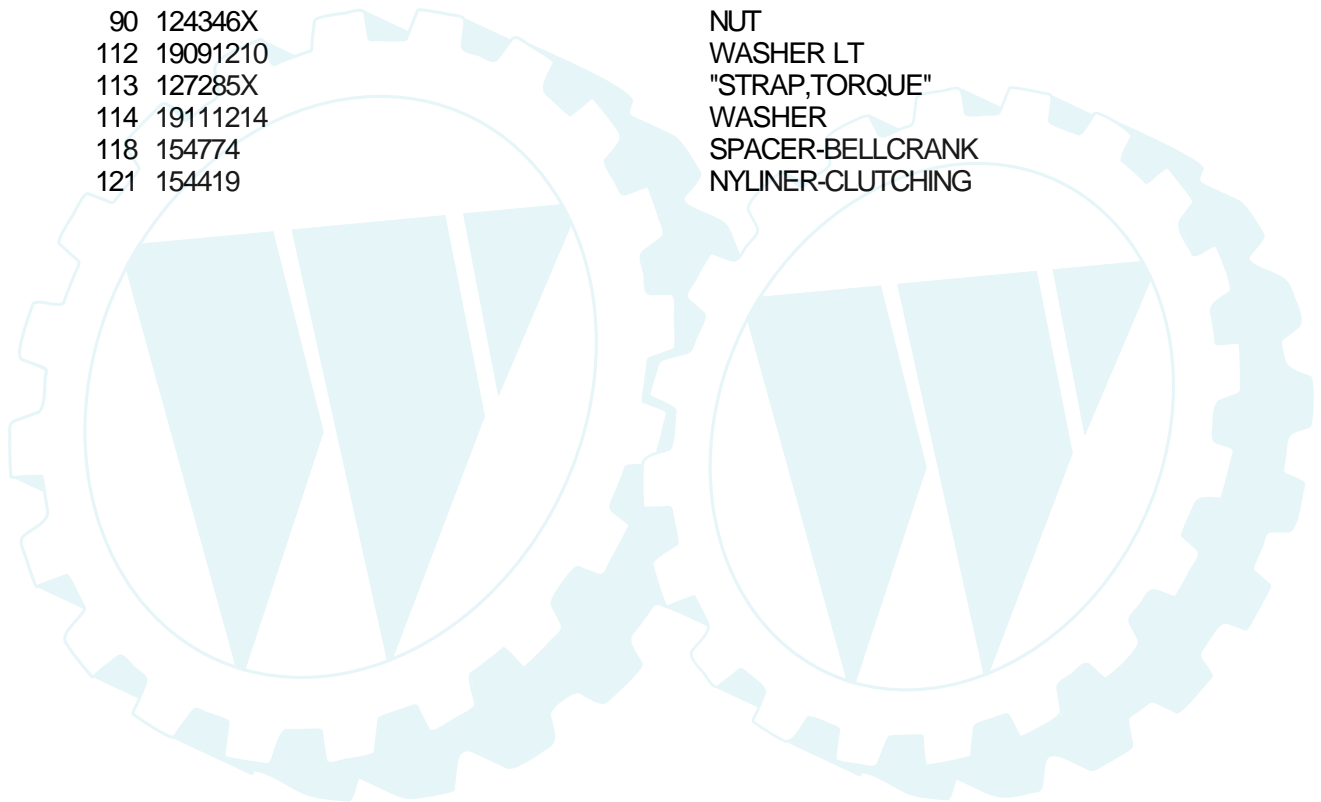
TRACTOR - - MODEL NUMBER WP14542C

DRIVE



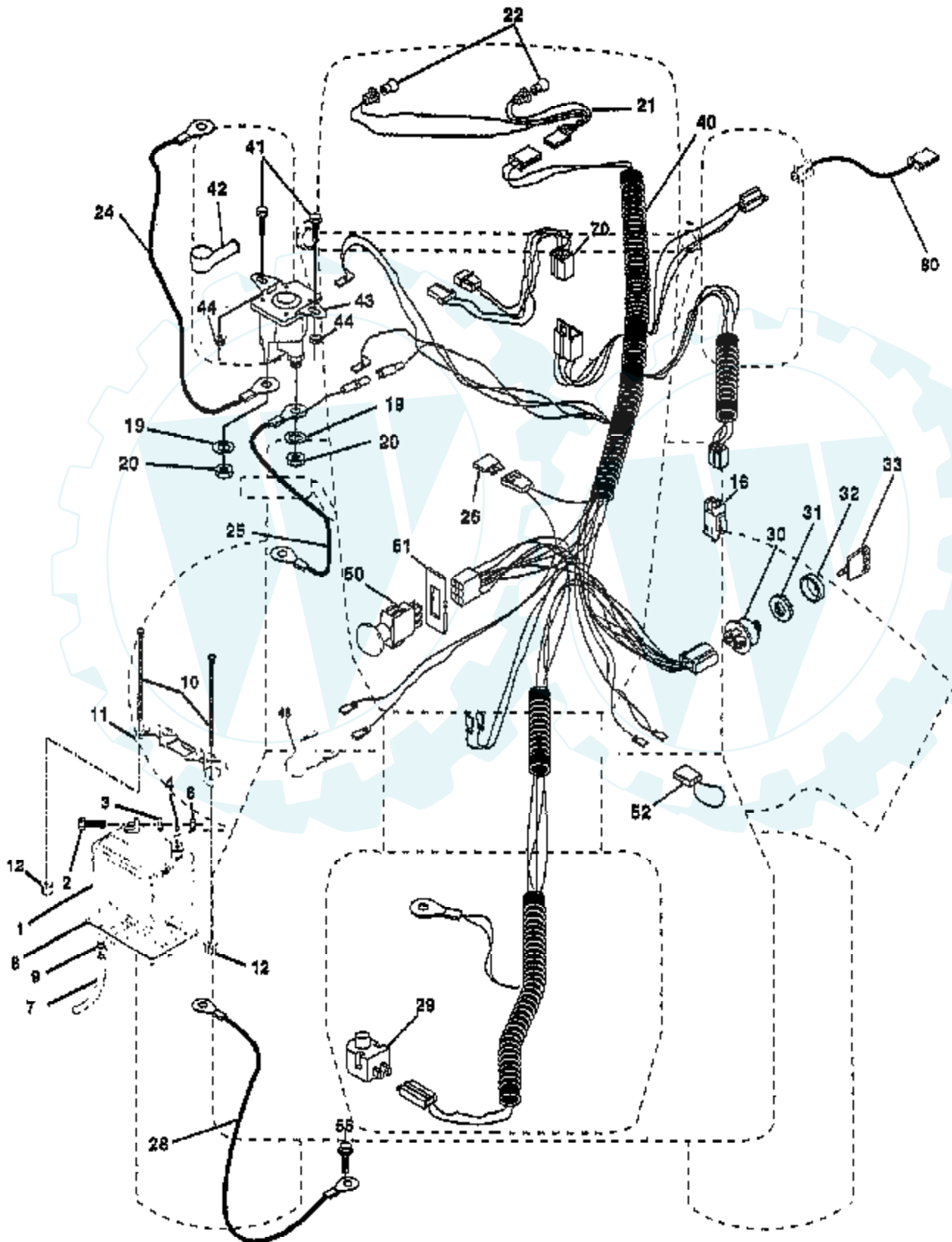
Ref #	Part Number	Qty	Description
1	P930-055A		TRANSAXLE PEERLESS
2	146682		SPRING.BRAKE.RETU
3	123666X		PULLEY TRANS
4	12000028		SUB= 2267J
4	121520X		STRAP TORQUE
6	17490512		SCREW
8	141002		ROD SHIFT FEND YT
9	145028		CLUTCH.ELECT.EVX.
10	76020416		PIN COTTER 1/8
11	105701X		WASH-SHFT PLT LT
13	74550412		BOLT.1/4-28.W/PAT
14	10040400		LOCKWASHER
15	74490544		BOLT.HX.FLG.5/16
16	73800500		NUT
18	74780616		BOLT
19	73800600		NUT
20	150280		BOLT.7/16-20X4.25
21	106933X		KNOB T (1/2-HOLE)
22	130804		BRAKE ROD
23	154978		BRACKET.CLUT.MTG.
24	73350600		NUT
25	106888X		SPRING ROD LT
26	19131316		WASHER
27	76020412		COTTER PIN
28	145204		ROD.BRAKE.PARK.LT
29	71673		PLUNGER CAP T
30	130807		TRANSAXLE MTG BKT
31	127275X		"KEEPER,BELT LH T"
32	74760512		BOLT
33	72140506		BOLT
34	155071		SHAFT ASM-PEDAL F
35	120183X		NYLON BEARING
36	19211616		WASHER LT
37	1572H		SUB= 2882J
38	123674X		PULLEY.IDLER.FLAT
39	74760644		BOLT
40	4470J		SPACER T
41	154777		SUB= 165692
42	19131312		WASHER
47	127783		SUB= 139245
48	154604		BELLCRANK ASM
49	123205X		RETAIN BELT
50	74760624		SUB= 74930624
51	73680600		SUB= 73690600
52	73680500		SUB= 73690500
53	105710X		"LINK, CLUTCH T"
55	105709X		"SPRING, RETURN LT"
56	74760620		SUB= 74780620
57	130801		SUB= 138255
58	127274X		"KEEPER,BELT RH T"
59	140312		KEEPER BELT CNTSP
61	17490612		SCREW
62	8883R		PEDAL COVER T
63	145868		PULLEY.CLUTCH.EVX
65	10040700		LOCKWASHER
66	154778		KEEPER-BELT
74	137057		SPACER AXLE
75	121749X		WASHER

Ref #	Part Number	Qty	Description
76	12000001		E-RING LT
77	123583X		SQUARE KEY
78	121748X		WASHER
79	2228M		SUB= 2228M1
80	145090		"ARM.SHIFT.20""TIRE"
81	145092		SUB= 156049
82	123782X		"SPRING,TORSION"
83	19171216		WASHER
84	145643		"ROD.TIE.20""P930LT"
85	150360		NUT.CNT.LOCK.1/4
86	71208		BUSHING
87	19212016		WASHER D
88	12000008		KLIP RING
89	139991		CONSOLE SHIFT
90	124346X		NUT
112	19091210		WASHER LT
113	127285X		"STRAP,TORQUE"
114	19111214		WASHER
118	154774		SPACER-BELLCRANK
121	154419		NYLINER-CLUTCHING



TRACTOR -- MODEL NUMBER WP14542C

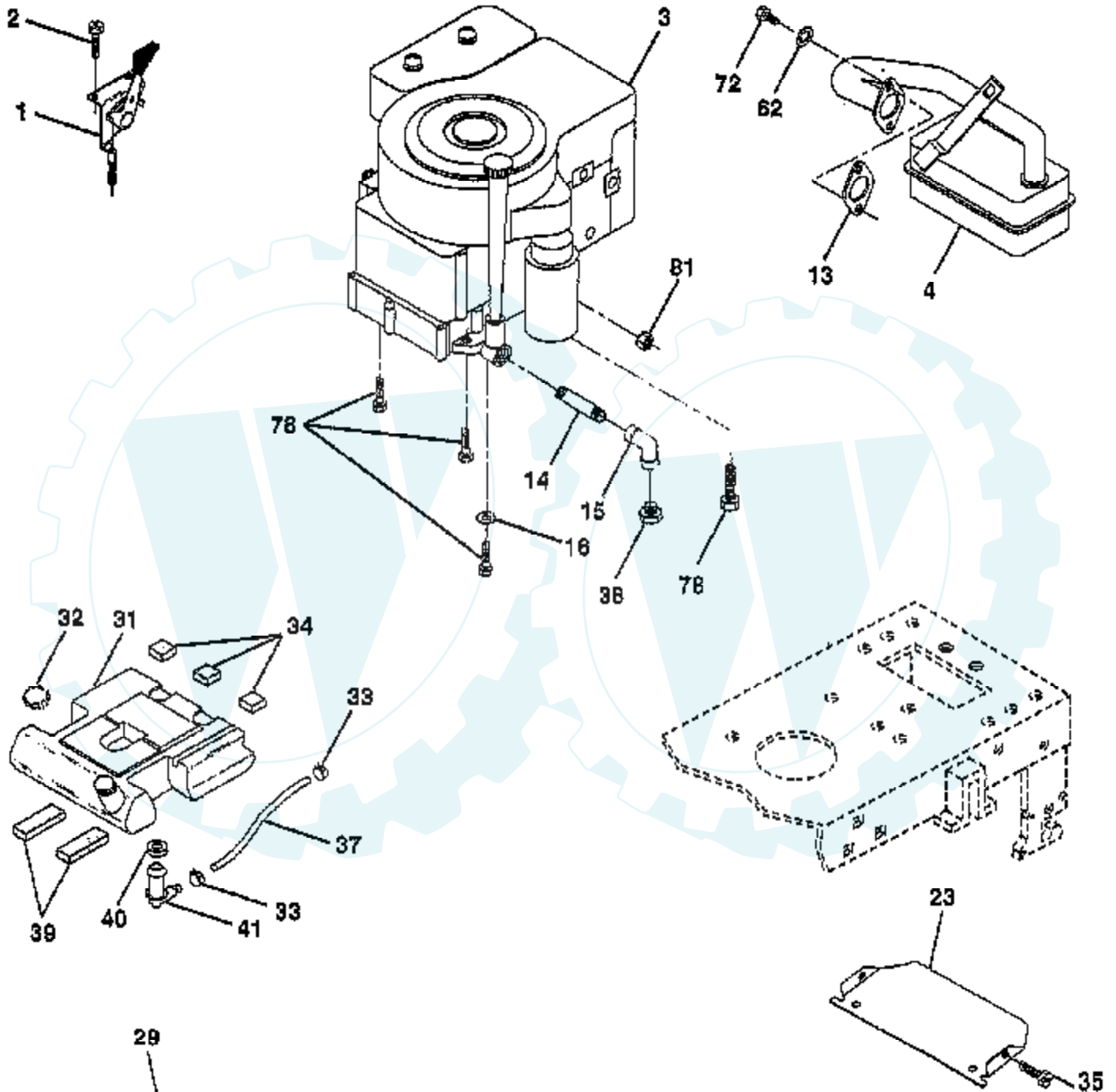
ELECTRICAL



Ref #	Part Number	Qty	Description
1	144926		SUB= 123899X
2	74760412		BOLT LT
3	19091016		WASHER
4	10040400		LOCKWASHER
6	73220400		SUB= 50675
7	7697J		"DRAIN TU T, BATT"
8	7603J		"TRAY T, BATTERY"
9	109596X		HOSE CLAMP T
10	145211		SUB= 150177
11	150109		HOLDDOWN BATTERY
12	145769		SUB= 150177
16	153664		SWITCH INTERLOCK
19	10090400		SUB= 10040400
20	73350400		NUT
21	147430		HARNES.ASM.HDLIG
22	4152J		HEADLAMP BULB
24	146148		CABLE.6GA.22W/16W
25	146136		CABLE.BTRY.6GA.RD
26	108824X		FUSE HYT
29	145491		CABLE.GRND.6GA.21
29	121305X		SWITCH SEAT
30	140301		SWITCH IGN 4POS
31	124211X		NUT IGNITION
32	141226		COVER KEY SWITCH
33	122147X		KEY
40	156153		HARNES IGNITION
41	71110408		BOLT HXHD FIN
42	131563		SUB= 154336
43	145673		SUB= 146154
44	73640400		NUT HXKEP 1/4X20
48	140844		ADAPTER AMMETER
50	154949		SWITCH, PTO 3PDT BLACK DELTA 96
51	140405		RING RETAIN PTO
52	141940		PROTECTION LOOP
55	17490508		SCREW LT
70	140422		HARNES.ENG.DUAL
80	146685		HARNES.CLUT.EVX.

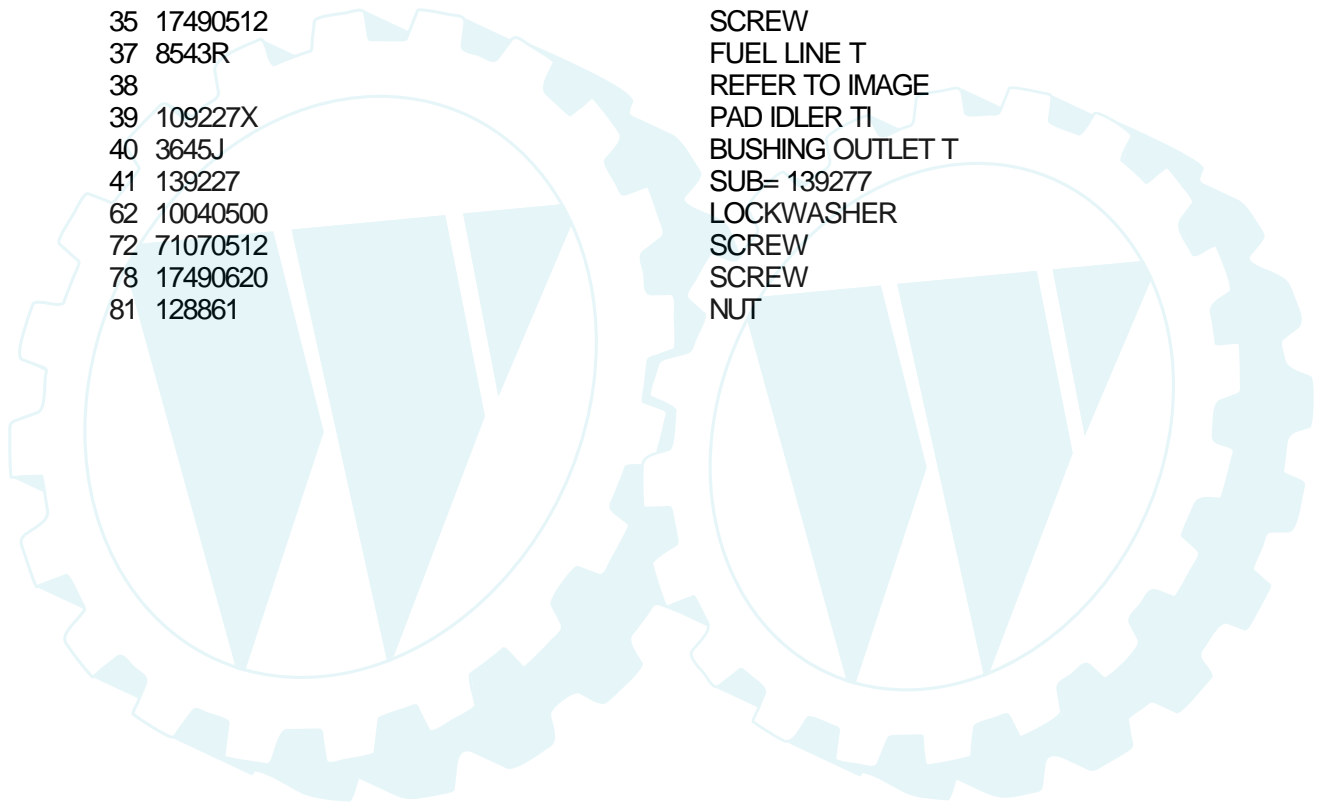
TRACTOR -- MODEL NUMBER WP14542C

ENGINE



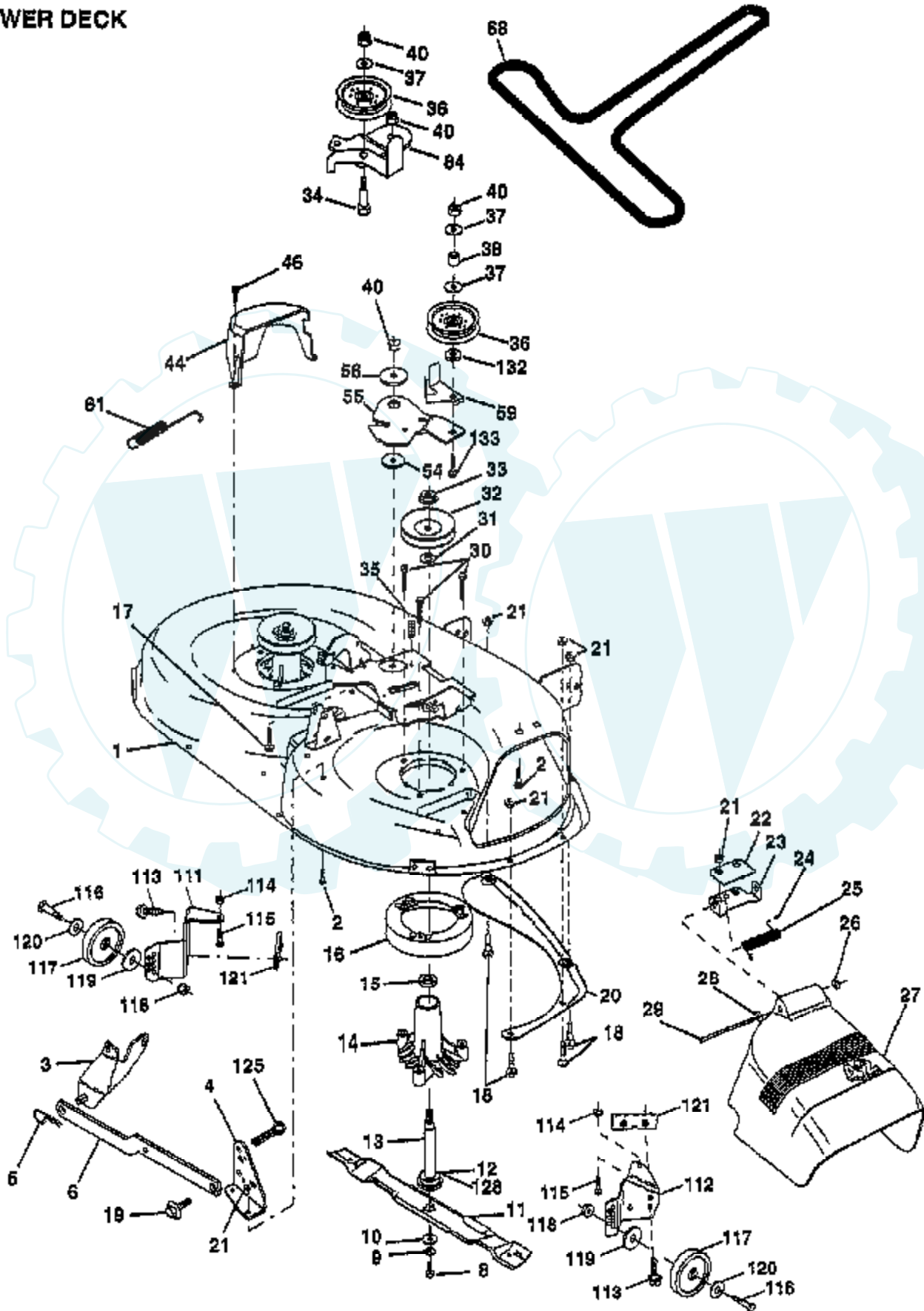
OPTIONAL EQUIPMENT
Spark Arrester

Ref #	Part Number	Qty	Description
1	132752		"CONTROL, THROTTLE"
2	17720410		SCREW LT
3	287707		ENGINE B&S
4	137352		MUFFLER
13	272293		GASKET ENG 1 313 LD TIN PLATED
14	13280324		PIPE NIPPLE
15	13200300		ELBOW
16	11050600		LOCKWASHER
23	156123		SHIELD-HEAT
29	137180		SUB= 532137180
31	151346		TANK FUEL REAR
32	140527		CAP ASM FUEL
33	123487X		HOSE CLAMP
34	106082X		PAD-SPACER LT
35	17490512		SCREW
37	8543R		FUEL LINE T
38			REFER TO IMAGE
39	109227X		PAD IDLER TI
40	3645J		BUSHING OUTLET T
41	139227		SUB= 139277
62	10040500		LOCKWASHER
72	71070512		SCREW
78	17490620		SCREW
81	128861		NUT



TRACTOR - - MODEL NUMBER WP14542C

MOWER DECK



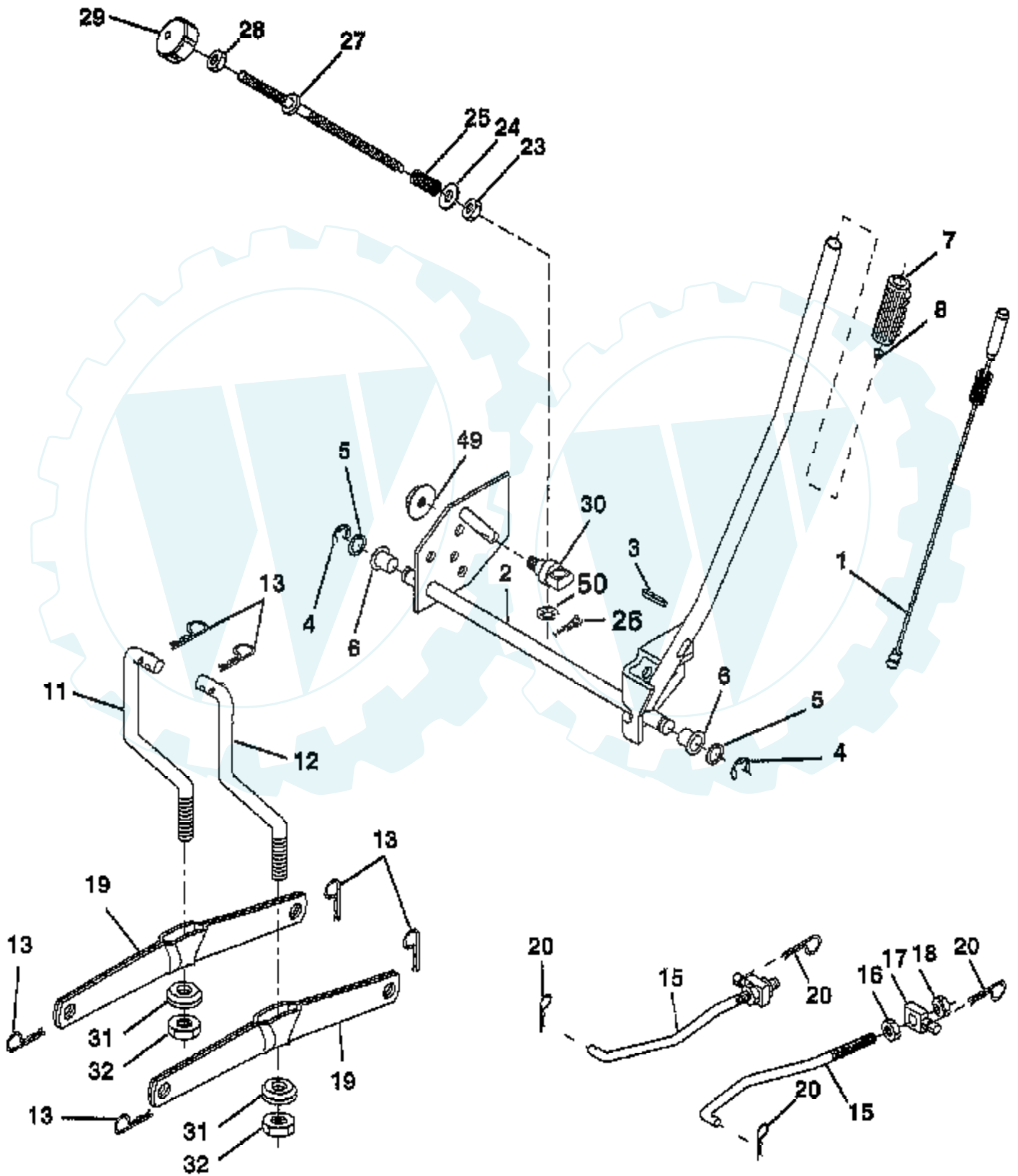
Ref #	Part Number	Qty	Description
1	144393		DECK.WELD.42.
2	72140506		BOLT
3	138017		BRKT ASM SWAY BAR
4	138440		BRKT DECK SW BAR
5	4939M		SUB= 85902
6	130832		SUB= 130833
8	850857		BLADE BOLT
9	10030600		SUB= 10040600
10	140296		WASHER.HARD.BLADE
11	138498		"BLADE.42"" HIPERF"
12	129895		BEARING.BALL
13	137645		SUB= 137646
14	128774		HSG ASM MANDREL
15	110485X		BEARING
16	140329		STRIPPER RND MWR
17	72110618		BOLT CARRIAGE
18	72140505		BOLT
19	132827		BOLT SHD 5/16-18
20	136888		SUB= 918136888
21	73680500		SUB= 73690500
22	134753		STIFFENER BRKT
23	131267		DEFLECTOR BRKT
24	105304X		CAP-SLEEVE LT
25	123713X		SPRING TORSION
26	110452X		NUT PUSH M
27	130968		DEFLECTOR.SHIELD
28	19111016		WASHER
29	131491		HINGE ROD
30	138776		SUB= 157722
31	129963		WASHER
32	153535		PULLEY.MANDREL.42
33	137266		SUB= 139729
34	72110622		BOLT
35	133835		XMAS TREE FASTNER
36	131494		FLAT IDLER PULLEY
37	19131316		WASHER
38	132823		SUB= 532132823
40	73680600		SUB= 73690600
44	140088		GUARD MAND LH BLK
46	137729		SCREW.1/4-20X5/8
54	133943		HARDENED WASHER
55	140084		SUB= 151785
56	122052X		SPACER RETAINER
59	141043		GUARD IDLER TUV
61	131950		SPRING.EXTENSION
68	144959		BELT-V.SEC.46.KEL
84	158824		BRACKET ASM IDLER
111	155197		BRACKET.GWHL.LH.
112	155198		BRACKET.GWHL.RH.
113	17490512		SCREW
114	73510500		NUT
115	72110504		SUB= 872110504
116	4898H		BOLT M
117	105455X		WHEEL.GAGE.BLK.PL
118	73930600		LOCKNUT
119	19121414		WASHER
120	19171512		WASHER
121	143723		BRACKET.EXTRD.GWL

Ref #	Part Number	Qty	Description
125	76020816		COTTER PIN
128	153390		WASHER.FELT.
132	19132203		WASHER GT
133	72110622		BOLT
	130794		MANDREL ASM
	159483		SUB= 164964



TRACTOR -- MODEL NUMBER WP14542C

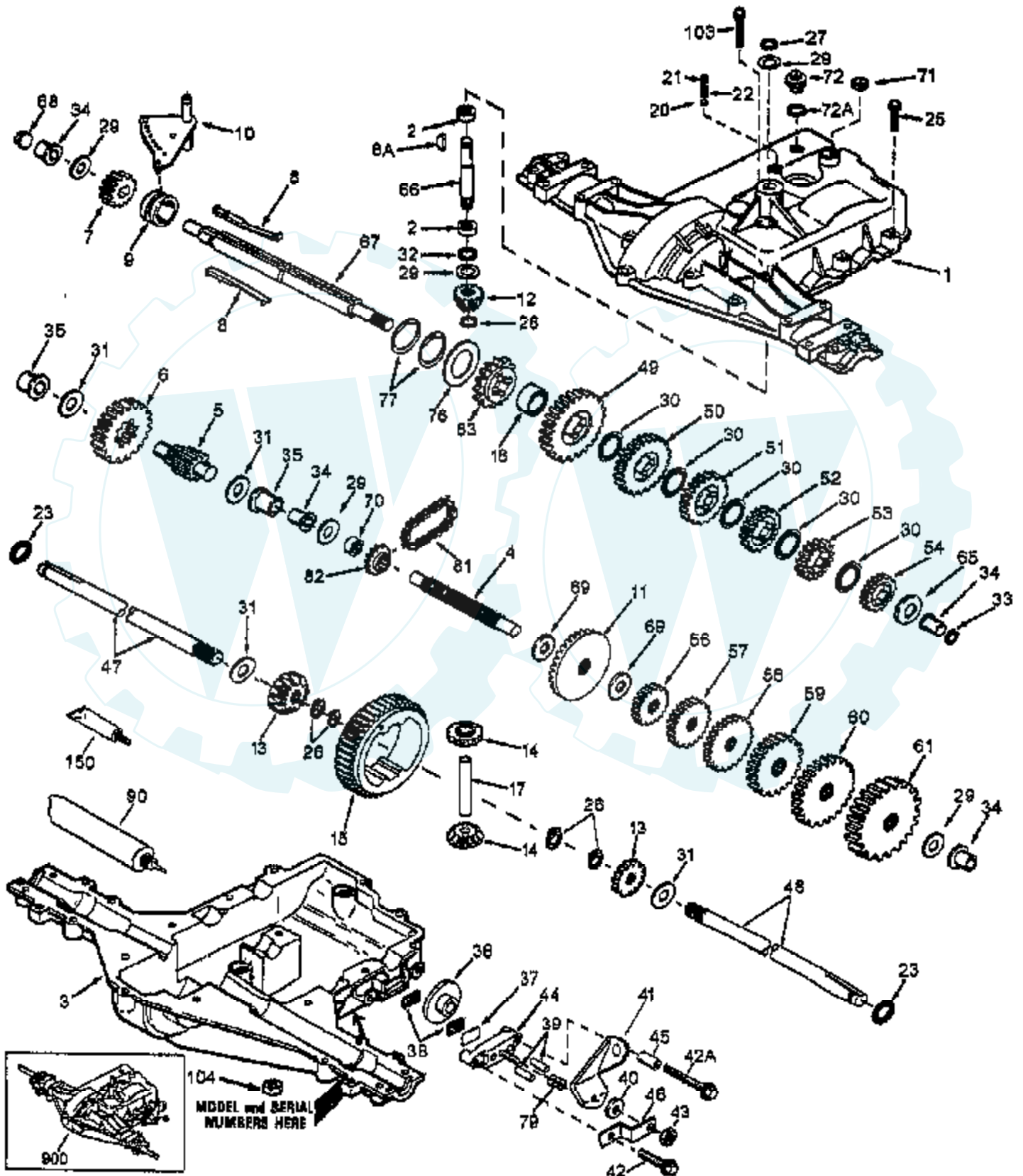
MOWER LIFT



Ref #	Part Number	Qty	Description
1	159461		WIRE.ASM.INNER.SP
2	159476		"SHAFT AMS LIFT,RH"
3	138284		PIN GROOVE
4	12000002		SUB= 2225J
5	19211621		WASHER
6	120183X		NYLON BEARING
7	109413X		GRIP
8	124526X		SUB= 125925X
10	122512X		SUB= 532122512
11	139865		SUB= 918139865
12	139866		SUB= 151140
13	4939M		SUB= 85902
15	127218		LINK.FRONT
16	73350800		NUT
17	130171		TRUNION
18	73800800		NUT.LK.W/WSH.1/2.
19	139868		ARM SUSP REAR
20	3146R		RETAINER.SPRING
23	110807X		NUT T
24	19131016		WASHER
24	137150		SPRING.COMP.INF.H
26	76020308		SUB= 3145
27	137167		ROD.ADJ.LIFT
28	73350600		NUT
29	138057		KNOB INF 3/8-16
30	150233		TRUNNION
31	140302		BEARING PVT LH
32	73540600		NUT.CROWNLOCK.3/8
49	145212		NUT.HXFLG.LOCK.
50	110452X		NUT PUSH M

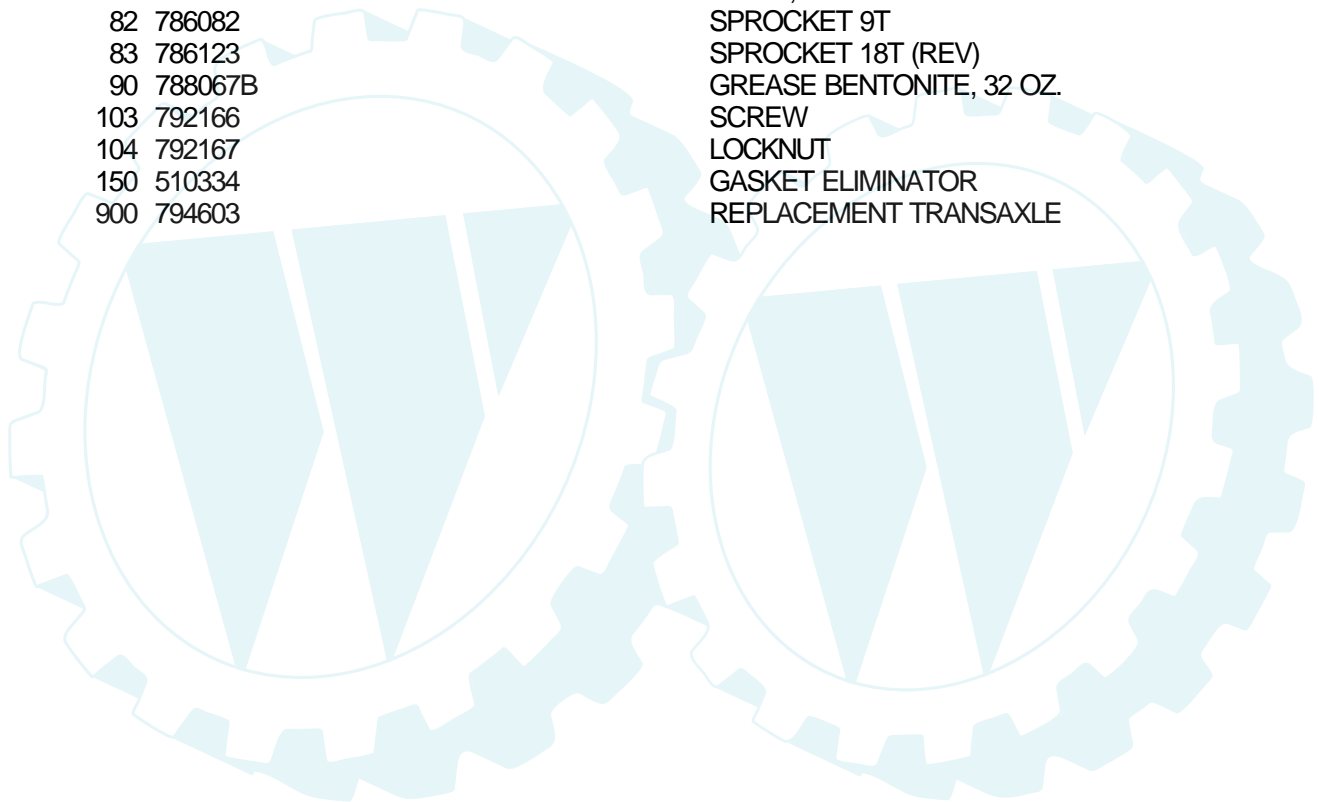
TRACTOR - - MODEL NUMBER WP14542C

PEERLESS TRANSAXLE - MODEL NUMBER P930-055A



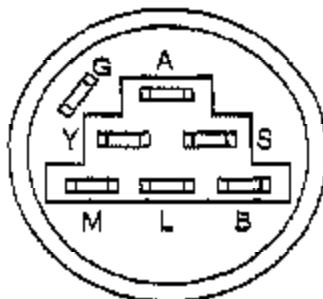
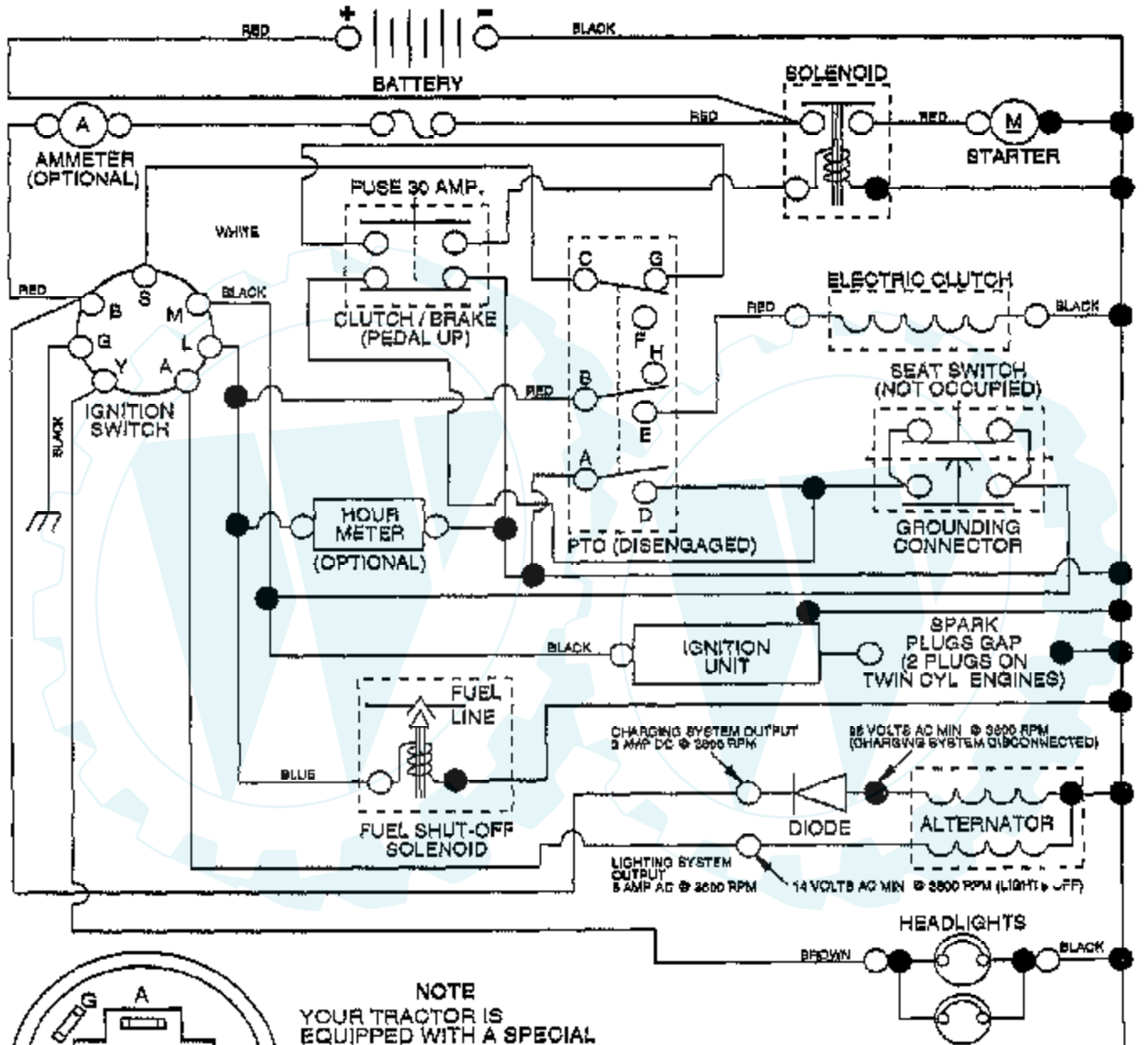
Ref #	Part Number	Qty	Description
1	772108A		TRANSAXLE COVER
2	780086		BEARING, NEEDLE
3	770102A		TRANSAXLE CASE
4	776260		SHAFT, COUNTER
5	776219B		OUTPUT SHAFT AND PINION
6	778139		GEAR, OUTPUT
7	778136		GEAR, SPUR, 15 TEETH
8	792136A		SHIFT KEY
8A	792047		KEY, WOODRUFF
9	784352		COLLAR, SHIFTER
10	784355		ROD & FORK ASSY, SHIFT
11	778229		GEAR, BEVEL, 42 TEETH
12	778113A		BEVEL PINION, INPUT
13	778221		GEAR, BEVEL
14	778068		GEAR, BEVEL, PINION
15	778260		GEAR, RING
17	786139		PIN, DRIVE
18	786102		SPACER, NEUTRAL
20	792077		BALL STEEL, 5/16" DIA.
21	792078		SCREW, 3/8-16 X 3/8"
22	792079		SPRING
23	788061		RING, SEAL
25	792073		SCREW, 1/4-20 X 1-1/4
26	792125		RING RETAINER
27	792035		RING, RETAINER
28	788040		RETAINING RING
29	780072		WASHER THRUST
30	780108		WASHER THRUST
31	780001		WASHER
32	792001		"O" RING
33	788095		SEAL, SQUARE CUT
34	780105A		BUSHING, FLANGED
35	780118A		BUSHING, FLANGED
36	790003		DISK, BRAKE
37	790007		PLATE BRAKE PAD
38	799021		BRAKE PAD
39	786026		PIN DOWEL
40	792076A		WASHER
41	790079		BRAKE LEVER
42	792073		SCREW, 1/4-20 X 1-1/4
42A	792085A		SCREW, 1/4-20 X 2-1/4
43	792075		LOCKNUT 5/16-24
44	790025		HOLDER BRAKE PAD
45	786066		SPACER
46	786086		BRKT BRAKE LEVER
47	774690		AXLE
48	774691		AXLE
49	778215		GEAR, SPUR, 37 TEETH
50	778125		GEAR, SPUR, 35 TEETH
51	778124A		GEAR, SPUR, 30 TEETH
52	778123A		GEAR, SPUR, 25 TEETH
53	778122A		GEAR, SPUR, 22 TEETH
54	778273		GEAR, SPUR, 19T
56	778230		GEAR, SPUR, 12 TEETH
57	778151		GEAR, SPUR, 15 TEETH
58	778126A		GEAR, SPUR, 20 TEETH
59	778127A		GEAR, SPUR, 25 TEETH
60	778128A		GEAR, SPUR, 28 TEETH

Ref #	Part Number	Qty	Description
61	778163		GEAR, SPUR, 31 TEETH
65	780109		WASHER, THRUST
66	776135		SHAFT, INPUT
67	776315A		SHAFT, BRAKE, 4 KEYED
68	786116A		PLUG
69	780051		WASHER THRUST
70	786118		SPACER
71	788069		SEAL SQUARE CUT
72	792165		THREADED PLUG 9/16-18
72A	788091		"O" RING
76	780090		WASHER, THRUST
77	788078A		INVERTED RETAINING RING
79	792144		SPRING
81	786081		CHAIN, ROLLER
82	786082		SPROCKET 9T
83	786123		SPROCKET 18T (REV)
90	788067B		GREASE BENTONITE, 32 OZ.
103	792166		SCREW
104	792167		LOCKNUT
150	510334		GASKET ELIMINATOR
900	794603		REPLACEMENT TRANSAXLE



TRACTOR - - MODEL NUMBER WP14542C

SCHEMATIC



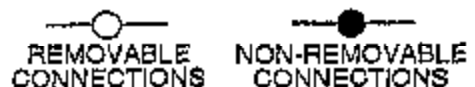
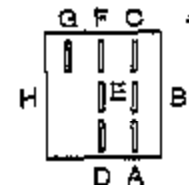
IGNITION SWITCH

POSITION	CIRCUIT	"MAKE"
OFF	G+M+L	NONE
RUN/LIGHT	B+L	A+Y
RUN	B+L	NONE
START	B+L+S	NONE

NOTE
YOUR TRACTOR IS EQUIPPED WITH A SPECIAL ALTERNATOR SYSTEM. THE LIGHTS ARE NOT CONNECTED TO THE BATTERY, BUT HAVE THEIR OWN ELECTRICAL SOURCE. BECAUSE OF THIS, THE BRIGHTNESS OF THE LIGHTS WILL CHANGE WITH ENGINE SPEED. AT IDLE THE LIGHTS WILL DIM AS THE ENGINE IS SPEEDED UP, THE LIGHTS WILL BECOME THEIR BRIGHTEST.

PTO SWITCH

POSITION	CIRCUIT
OFF	C+G, B+H
ON	G+F, B+E, A+D



WIRING INSULATED CLIPS

NOTE: IF WIRING INSULATED CLIPS WERE REMOVED FOR SERVICING OF UNIT, THEY SHOULD BE REPLACED TO PROPERLY SECURE YOUR WIRING.

Der Ersatzteilspezialist im Internet.

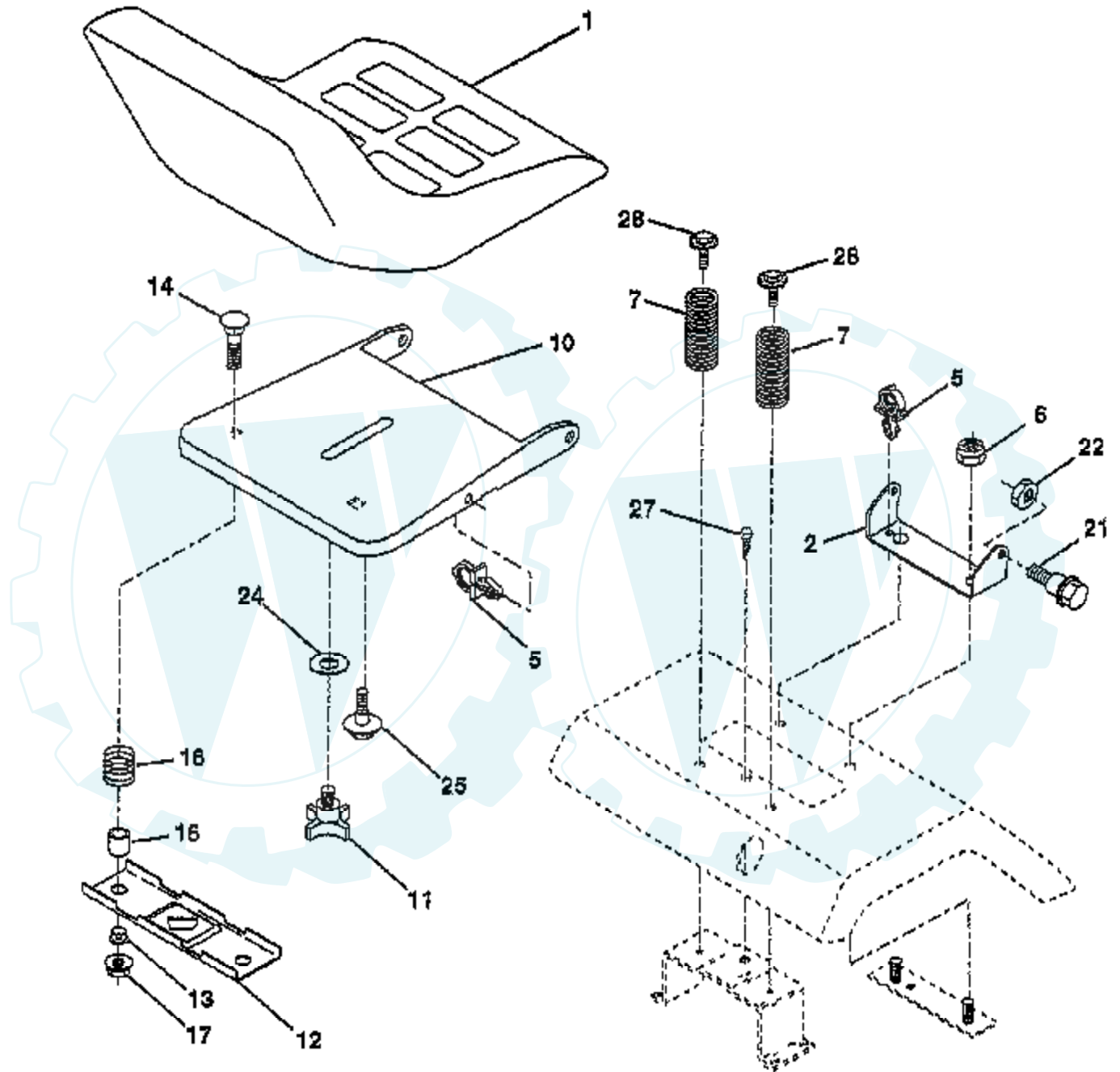
Ref #	Part Number	Qty	Description
-------	-------------	-----	-------------

REFER TO IMAGE



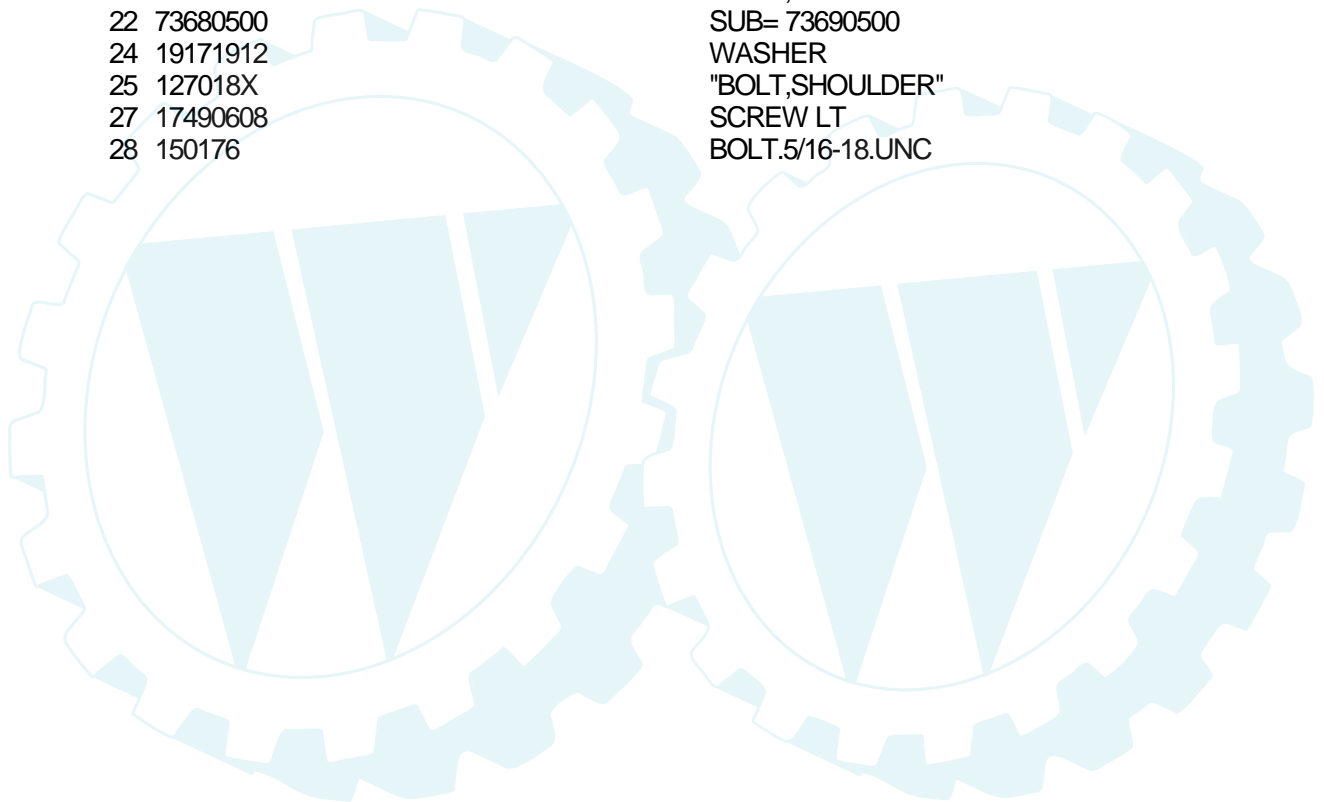
TRACTOR - - MODEL NUMBER WP14542C

SEAT ASSEMBLY



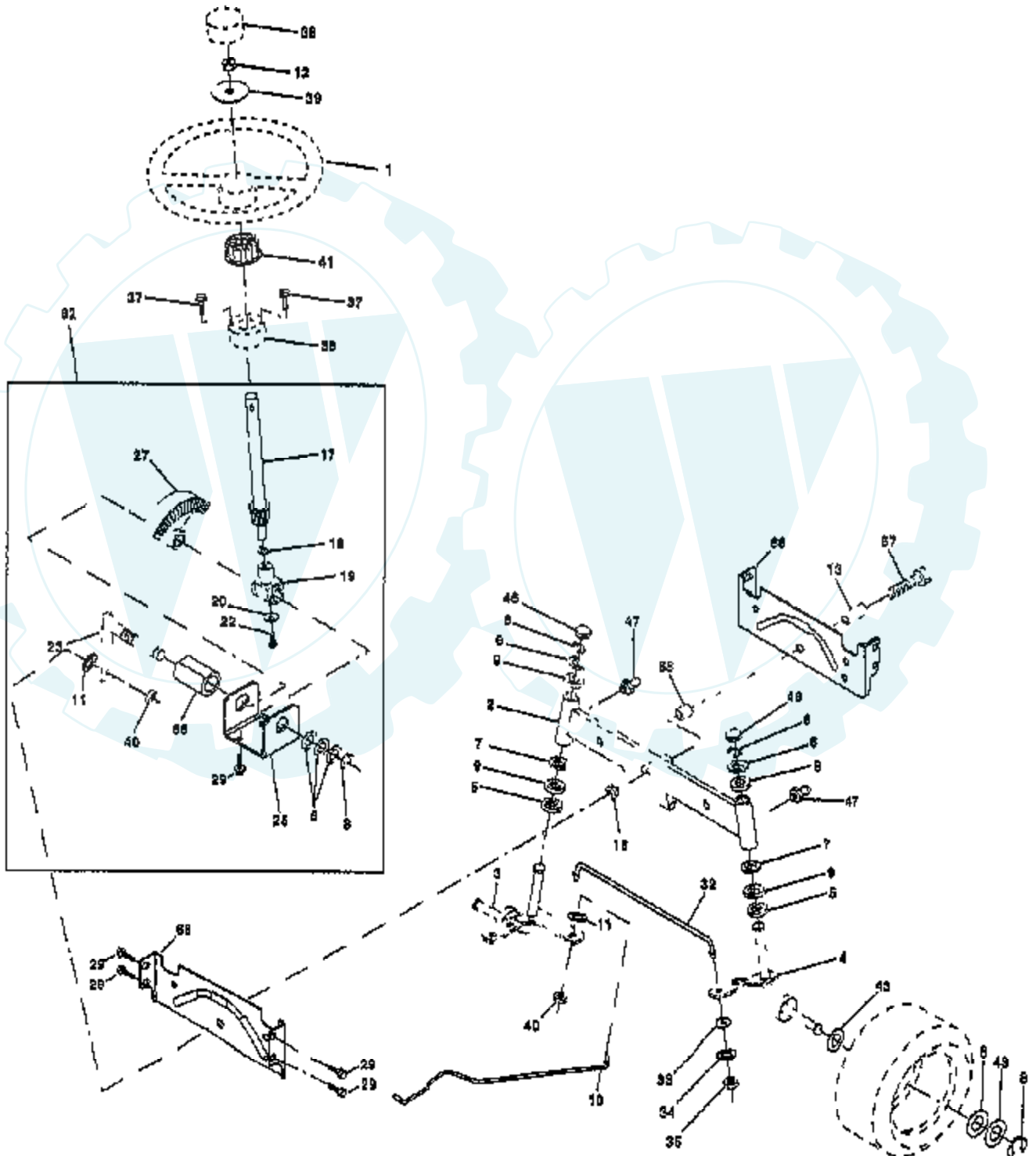
NOTE: All component dimensions given in U.S. inches
1 inch = 25.4 mm

Ref #	Part Number	Qty	Description
1	127428		SUB= 140119
2	140551		BRACKET PVT SEAT
5	145006		CLIP.PUSH-IN.HING
6	73800600		NUT
7	124181X		SPRING COMPRESSIO
10	155925		PAN-SEAT
11	120068X		"KNOB 1/2"" YT"
12	121246X		BRKT SWITCH
13	121248X		BUSHING
14	72050411		SUB= 872050411
15	134300		SPLIT SPACER
16	121250X		SPRING
17	123976X		SUB= 73900400
21	153236		"BOLT,SHOULDER"
22	73680500		SUB= 73690500
24	19171912		WASHER
25	127018X		"BOLT,SHOULDER"
27	17490608		SCREW LT
28	150176		BOLT.5/16-18.UNC



TRACTOR - - MODEL NUMBER WP14542C

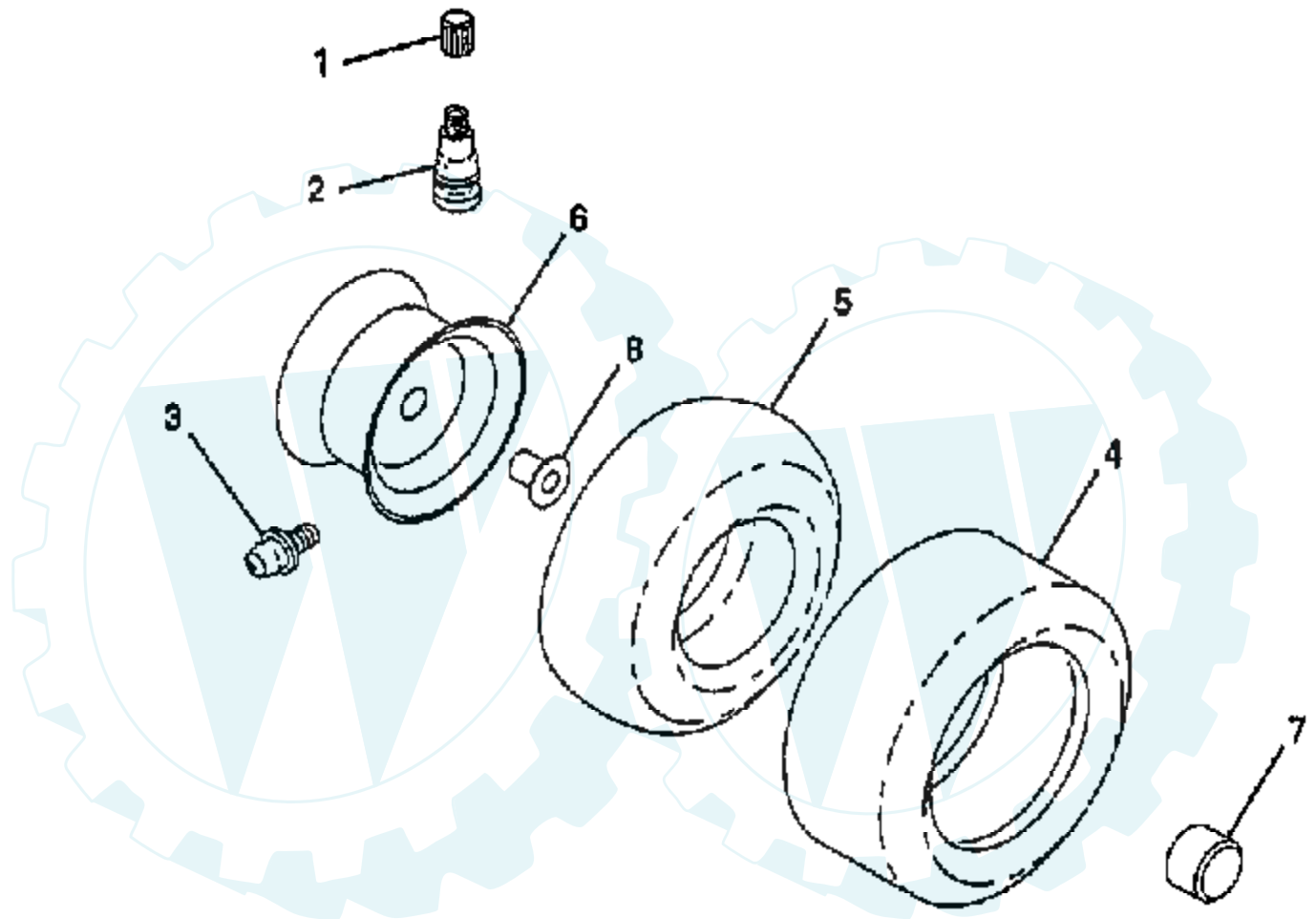
STEERING ASSEMBLY



Ref #	Part Number	Qty	Description
1	121472X		SUB= 150546
2	154427		AXLE ASM
3	156483		SPINDLE.ASM.LH
4	157473		"SPINDLE ASM,RH"
5	6266H		WASHER .T
6	121748X		WASHER
7	19272016		WASHER
8	12000029		RING
9	3366R		COL. SRTG. BEAR.
10	156438		DRAGLINK-STAMPED
11	10040600		LOCKWASHER
12	73940800		SUB= 73360800
13	154779		BEARING AXLE
15	73901000		"NUT-LOC,FLANGE LT"
17	156543		SHAFT ASM STEERNG
18	57079		THRUST WASHER
19	124035X		SUPPORT.SHAFT
20	126684X		SUB= 532126684
22	71200410		SCREW HEX SOC1/4-
23	127501		SUB= 918127501
25	154406		BRKT-STEERING
27	136874		GEAR SECTOR
29	17490612		SCREW
32	139929		ROD.TIE.19.75
33	19111216		WASHER M
34	10040500		LOCKWASHER
35	73810500		NUT.LOCK.5/16-24
36	145207		BUSHING.STRG.3/4
37	152927		"SCREW-TT,10-32 FL"
38	126805X		"INSERT,STR WHEEL"
39	100712K		WASHER
40	7810H		GRIPCO NUT
41	100711L		ADAPTER LT
43	121749X		WASHER
46	121232X		CAP
47	6855M		ZERK M
62	156595		KIT STEERING ASM
65	154780		SPACER AXLE
66	154404		"BEARING-ARM,PITMA"
67	74781044		BOLT
68	154429		BRACE AXLE

TRACTOR - - MODEL NUMBER WP14542C

WHEELS & TIRES



NOTE: All component dimensions given in U.S. inches
1 inch = 25.4 mm

Ref #	Part Number	Qty	Description
1	59192		VALVE CAP
2	65139		VALVE STEM LT
3	278H		FITTING LT
4	106222X		SUB= 122073X
4	138468		TIRE.20X8-8
5	59904		TUBE.5.3/4.5/6
5	7152J		TUBE.18X9.5-8
6	106732X417		"RIM,FRT T"
6	106108X417		"RIM 8""
7	104757X		HUB CAP
8	9040H		"FLANGE, BEARING"
	144334		SEALANT.TIRE 10 OZ. TUBE

