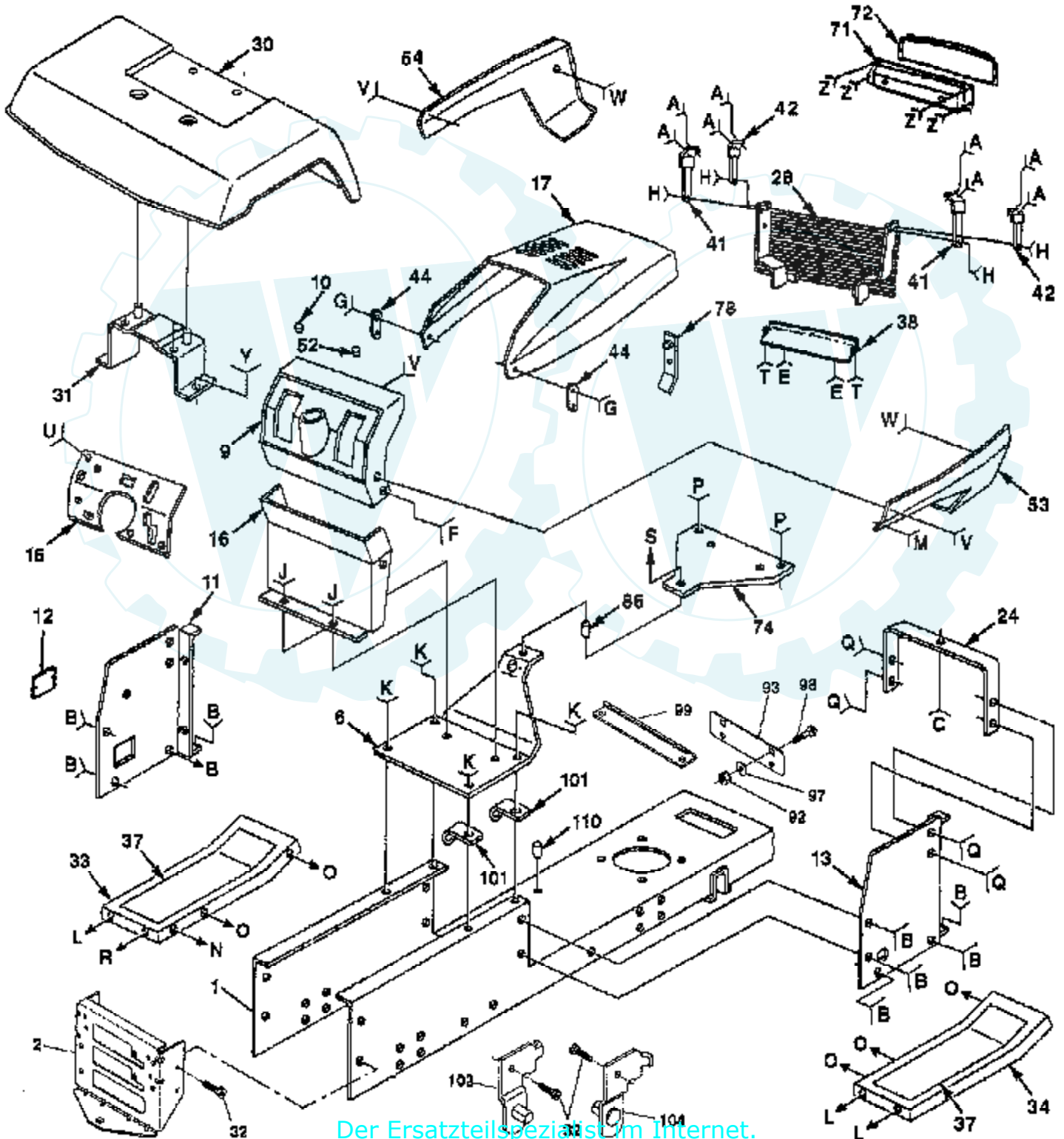
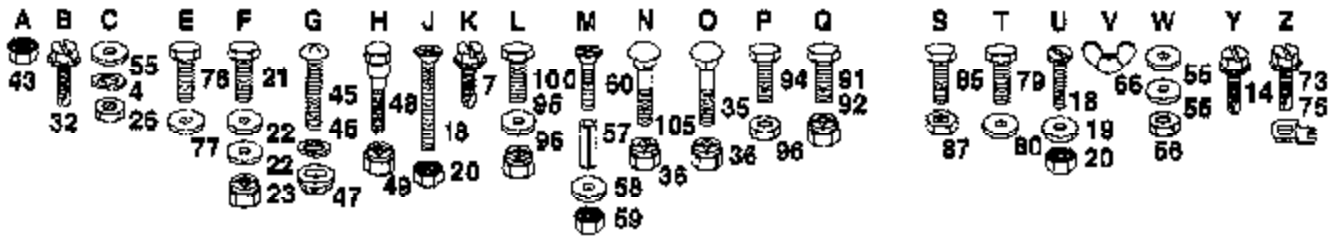


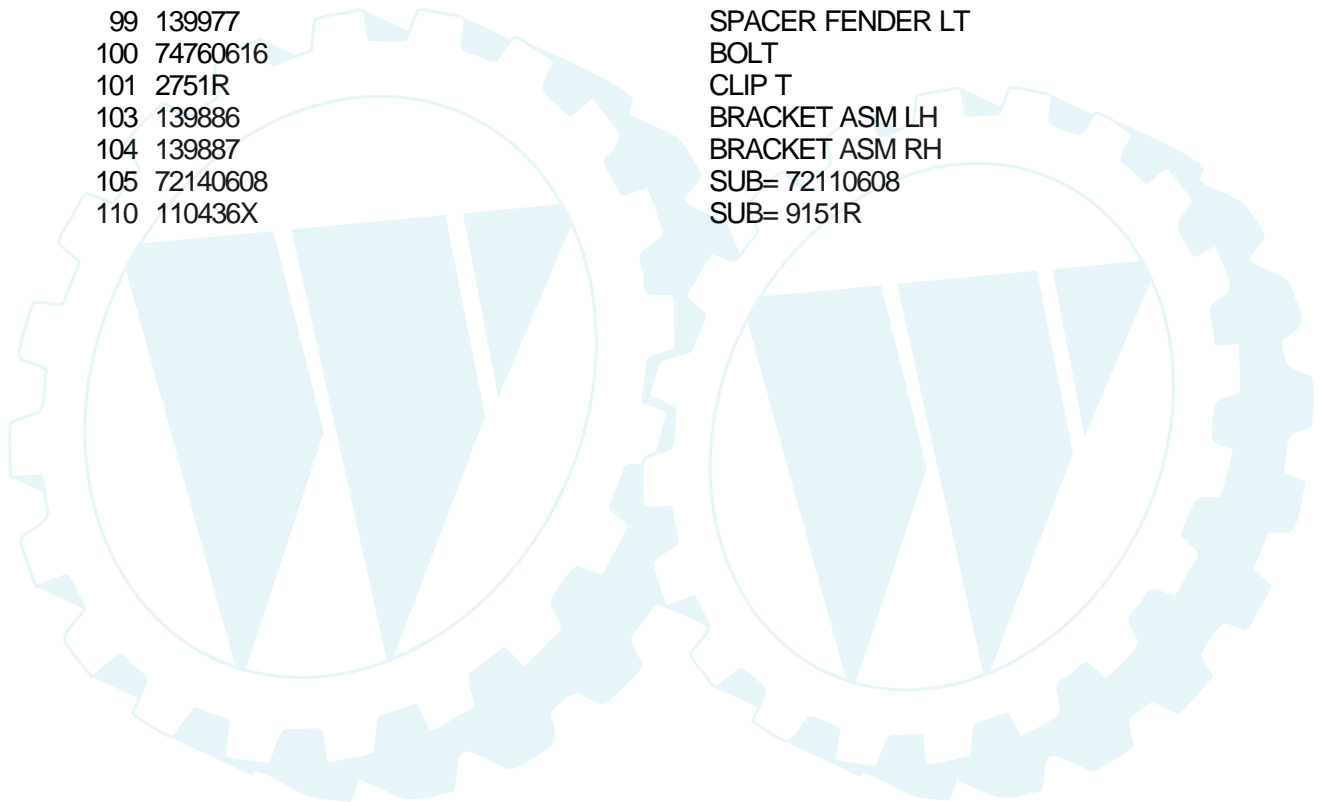
14 HP 42" TRACTOR -- MODEL NUMBER WP1442A

CHASSIS AND ENCLOSURES



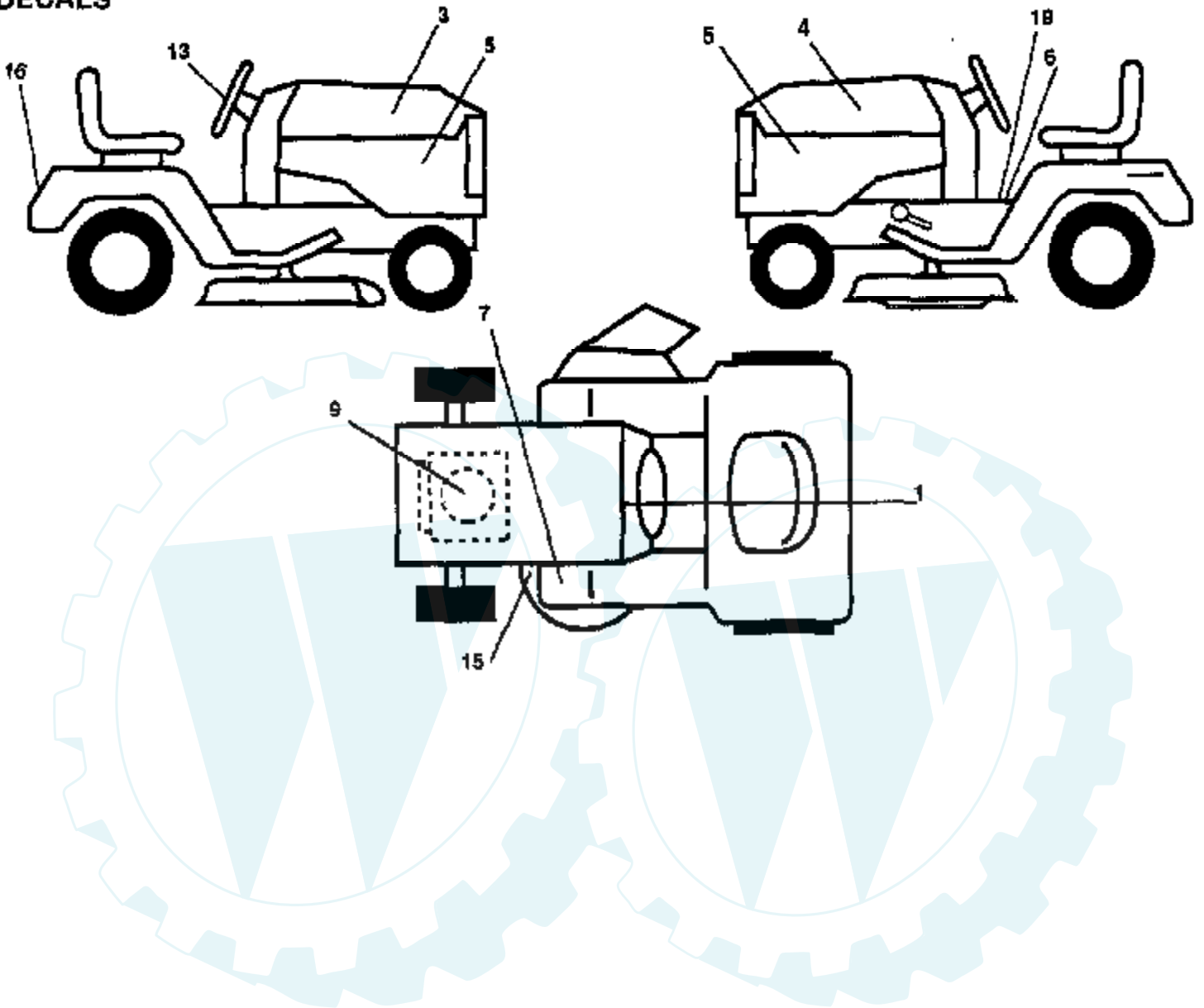
Ref #	Part Number	Qty	Description
1	140341		SUB= 145501
2	140356		SUB= 145009
4	10040400		LOCKWASHER
6	131433X043		SADDLE
7	17490612		SCREW
9	140398		DASHBOARD BLACK
10	5479J		PLUG BUTTON T
11	136967		PANEL.DASH.LH
12	121794X		COVER ACCESS
13	136970		PANEL.DASH.RH
14	17490612		SCREW
15	140133X011		PLATE.DASH.SILKSC
16	104783X		DASH ASSY LT
17	132635X505		SUB= 150301X505
18	74180512		SCREW
19	19111116		WASHER
20	73510500		NUT
21	74780620		BOLT
22	19131312		WASHER
23	73800600		NUT
24	124130X		SUPPORT ASSY
26	73220400		SUB= 50675
28	131716		SUB= 532131716
30	109872X505		FENDER
31	139976		BRACKET SUPT FEND
32	17490612		SCREW
33	105464X505		SUB= 145243X505
34	105465X505		SUB= 145244X505
35	72110606		BOLT
36	73800600		NUT
37	133671		FOOTREST PAD
38	105419X505		GRILL STRAP
41	106784X		SUB= 155013
42	104618X		SUB= 155013
43	73510400		NUT
44	109808X		HOOD LATCH T
45	74191008		SCREW
46	10071000		LOCKWASHER
47	2029J		WELDNUT
48	123481X		SUB= 7605J
49	73680400		SUB= 73690400
52	8022J		PLUG-DASH T
53	137655X505		PANEL.SIDE.RH
54	132637X505		"PANEL,SIDE LH"
55	19091216		WASHER PM
56	73220400		SUB= 50675
57	7206J		SPACER LT
58	19070818		WASHER
59	73731000		NUT
60	74981020		SCREW
66	123198X		SUB= 146525
71	124392X417		SUB= 147717
72	106395X		LENS LT
73	17211010		SCREW LT
74	140181		PLATE.SUPT.BATTER
75	104755X		"" J "" FASTENER LT"
76	17490512		SCREW
77	19131210		WASHER

Ref #	Part Number	Qty	Description
78	132644		SUB= 532132644
79	17490412		SCREW HEX CRT
80	19091016		WASHER
85	74760532		BOLT
86	121236X		SPACER
87	73800500		NUT
91	74780616		BOLT
92	73800600		NUT
93	139978		PLATE EXTEN FEND
94	74760616		BOLT
95	19131312		WASHER
96	73800600		NUT
97	19171416		WASHER
98	72140608		SUB= 72110608
99	139977		SPACER FENDER LT
100	74760616		BOLT
101	2751R		CLIP T
103	139886		BRACKET ASM LH
104	139887		BRACKET ASM RH
105	72140608		SUB= 72110608
110	110436X		SUB= 9151R

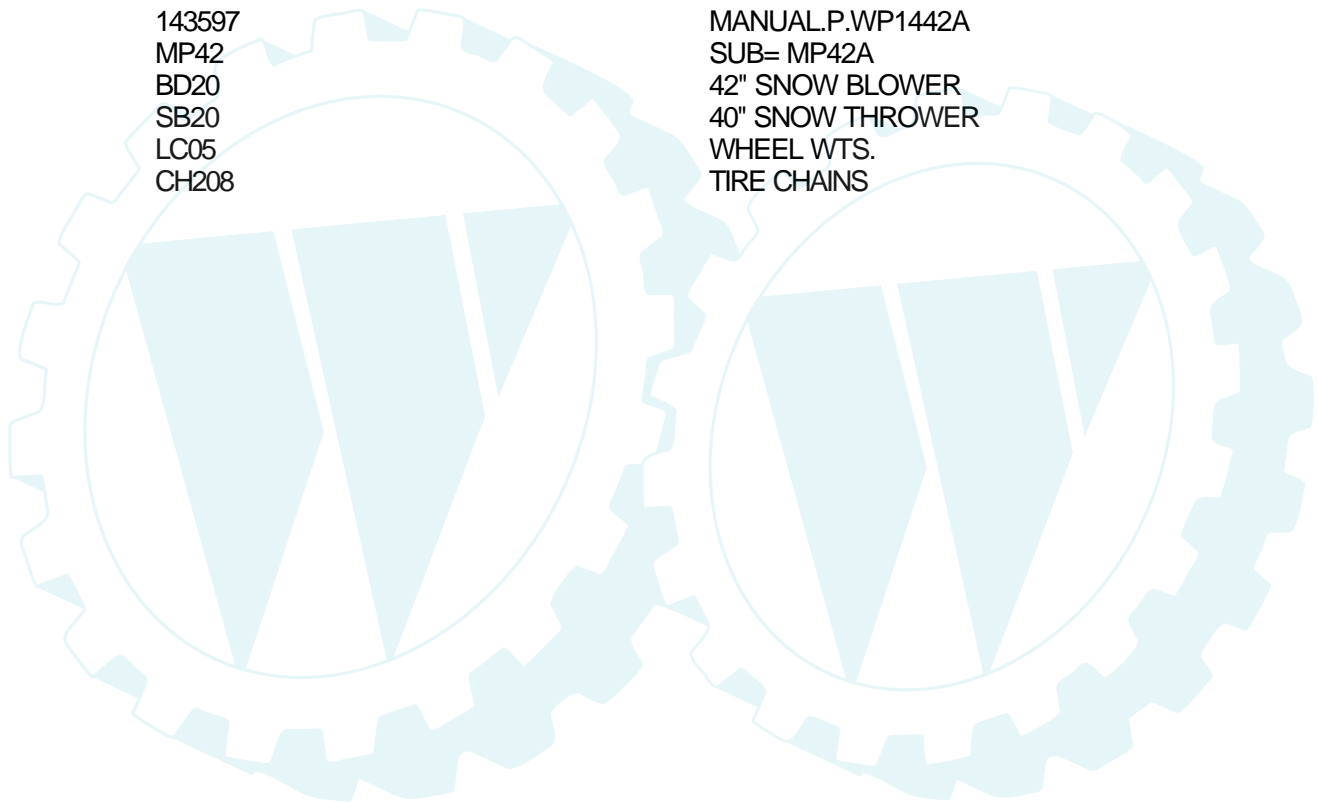


14 HP 42" TRACTOR - - MODEL NUMBER WP1442A

DECALS

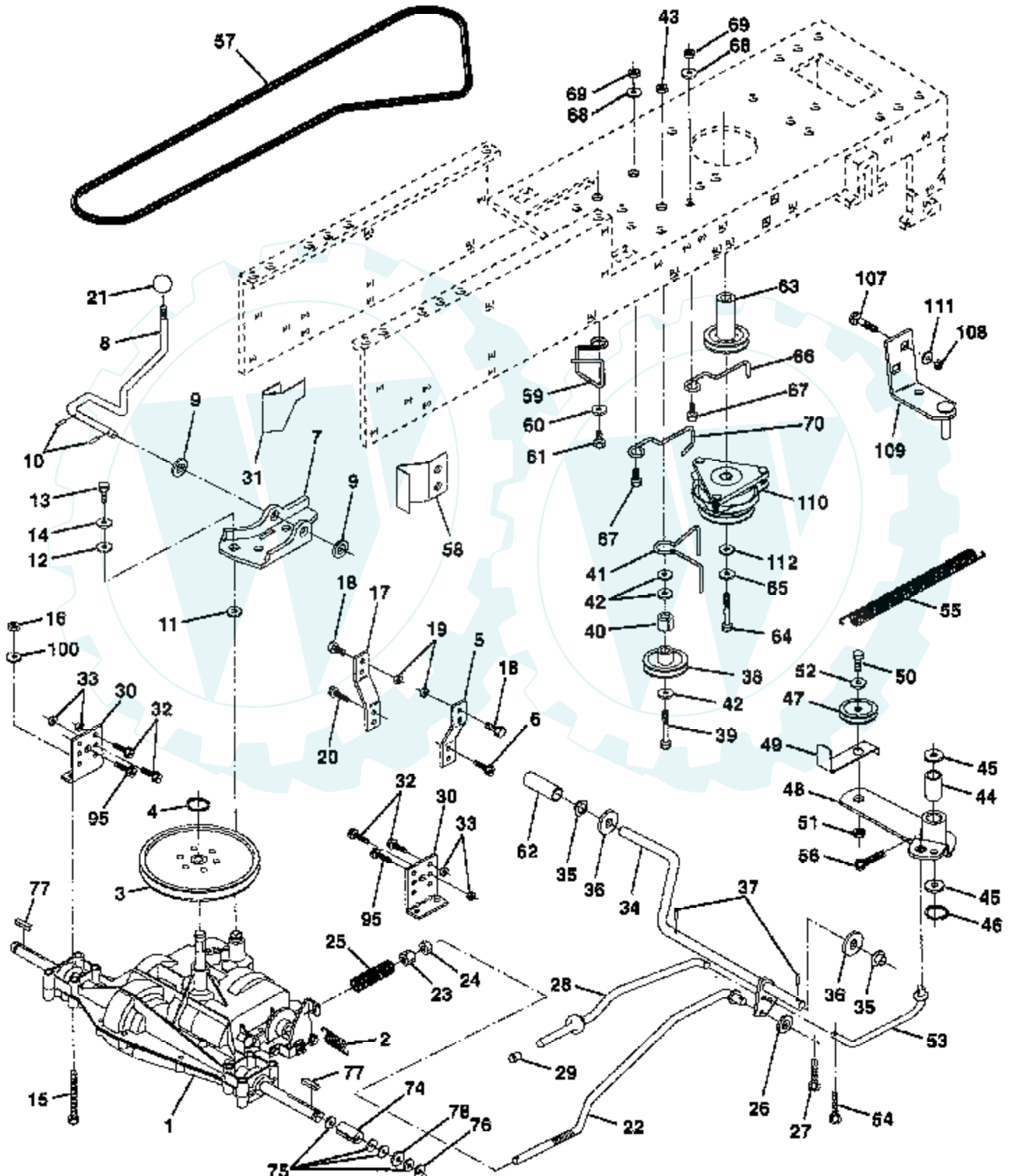


Ref #	Part Number	Qty	Description
1	138955		DECAL.DASH.INST.
3	135865		DECAL.HOOD.RH
4	135864		DECAL.HOOD.LH
5	126167X		DECAL
6	133796		DECAL
7	4900J		DECAL T
9	141521		DECAL.ENG.272750
11	137259		"DECAL, WARNING"
13	135845		DECAL, INSERT
15	136830		DECAL.V.BELT
16	135841		DECAL, FENDER LOGO
19	140837		DECAL BRAK PARK
	138311		DECAL HANDLE LIFT
	140718		MANUAL OPERATORS
	143597		MANUAL.P.WP1442A
	MP42		SUB= MP42A
	BD20		42" SNOW BLOWER
	SB20		40" SNOW THROWER
	LC05		WHEEL WTS.
	CH208		TIRE CHAINS



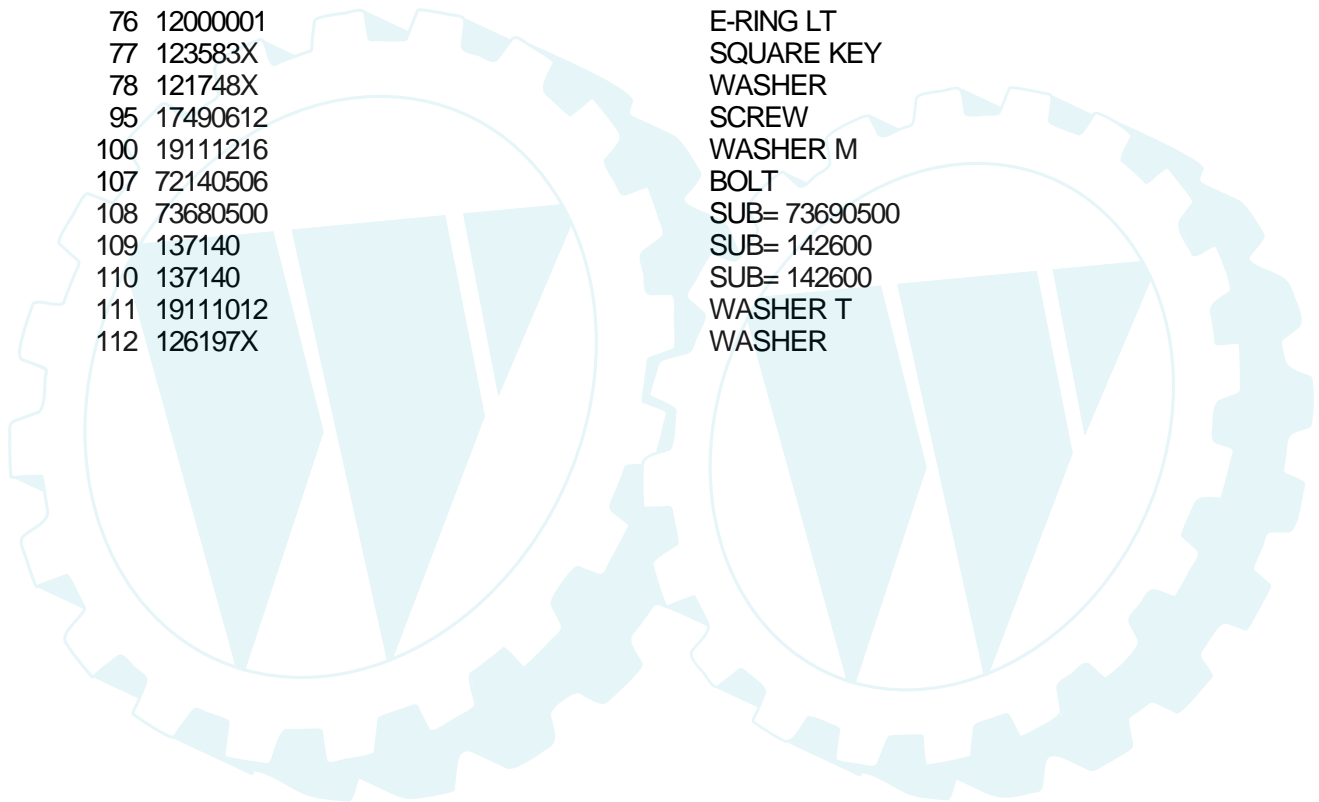
14 HP 42" TRACTOR - - MODEL NUMBER WP1442A

DRIVE



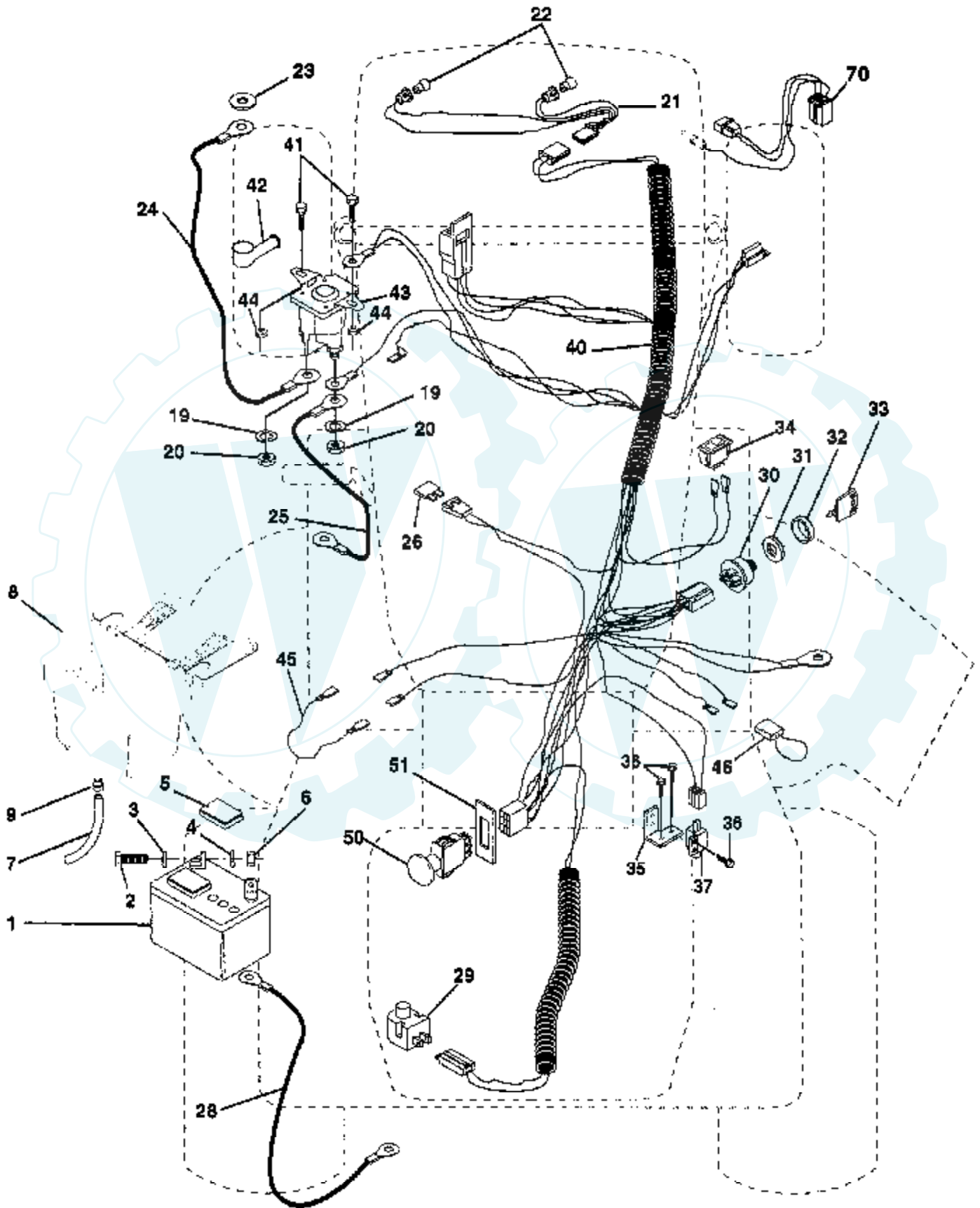
Ref #	Part Number	Qty	Description
1	142607		SUB= 145605
2	110422X		SUB= 146682
3	123666X		PULLEY TRANS
4	12000028		SUB= 2267J
5	121520X		STRAP TORQUE
6	17490512		SCREW
7	130802		SUB= 162240
8	131679		SHIFT ROD
9	19151216		WASHER
10	76020416		PIN COTTER 1/8
11	105701X		WASH-SHFT PLT LT
12	19091210		WASHER LT
13	71040412		SUB= 74550412
14	10040400		LOCKWASHER
15	74780544		BOLT HEX
16	73680500		SUB= 73690500
17	121520X		STRAP TORQUE
18	74760616		BOLT
19	73680600		SUB= 73690600
20	17490512		SCREW
21	106933X		KNOB T (1/2-HOLE)
22	130804		BRAKE ROD
23	73800600		NUT
24	73350600		NUT
25	106888X		SPRING ROD LT
26	19131316		WASHER
27	76020412		COTTER PIN
28	133261		BRAKE PARK ROD
29	71673		PLUNGER CAP T
30	130807		TRANSAXLE MTG BKT
31	127275X		"KEEPER,BELT LH T"
32	74760512		BOLT
33	73800500		NUT
34	122424X		SUB= 149001
35	120183X		NYLON BEARING
36	19211616		WASHER LT
37	1572H		SUB= 2882J
38	123674X		PULLEY.IDLER.FLAT
39	74760644		BOLT
40	4470J		SPACER T
41	109070X		BELT KEEPER LT
42	19131312		WASHER
43	73680600		SUB= 73690600
44	105706X		"LY, BEARING"
45	110812X		WASHER LT
46	12000039		KLIP RING
47	127783		SUB= 139245
48	123789X		ARM IDLER
49	123205X		RETAIN BELT
50	74760624		SUB= 74930624
51	73680600		SUB= 73690600
52	19131316		WASHER
53	105710X		"LINK, CLUTCH T"
54	76020412		COTTER PIN
55	105709X		"SPRING, RETURN LT"
56	76020412		COTTER PIN
57	130801		SUB= 138255
58	127274X		"KEEPER,BELT RH T"

Ref #	Part Number	Qty	Description
59	140312		KEEPER BELT CNTSP
60	19131312		WASHER
61	17490612		SCREW
62	8883R		PEDAL COVER T
63	140189		PULLEY CLU ELEC
64	71170764		BOLT
65	10040700		LOCKWASHER
66	121218X		KEEPER BELT ENGLH
67	74760616		BOLT
68	19131312		WASHER
69	73680600		SUB= 73690600
70	105730X		"KEEPER,BLT ENG LT"
74	109502X		SPACER LT
75	121749X		WASHER
76	12000001		E-RING LT
77	123583X		SQUARE KEY
78	121748X		WASHER
95	17490612		SCREW
100	19111216		WASHER M
107	72140506		BOLT
108	73680500		SUB= 73690500
109	137140		SUB= 142600
110	137140		SUB= 142600
111	19111012		WASHER T
112	126197X		WASHER



14 HP 42" TRACTOR - - MODEL NUMBER WP1442A

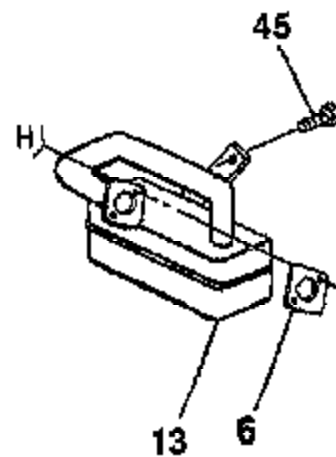
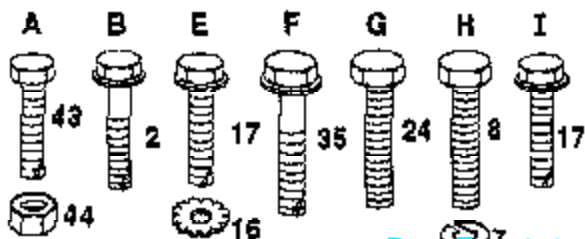
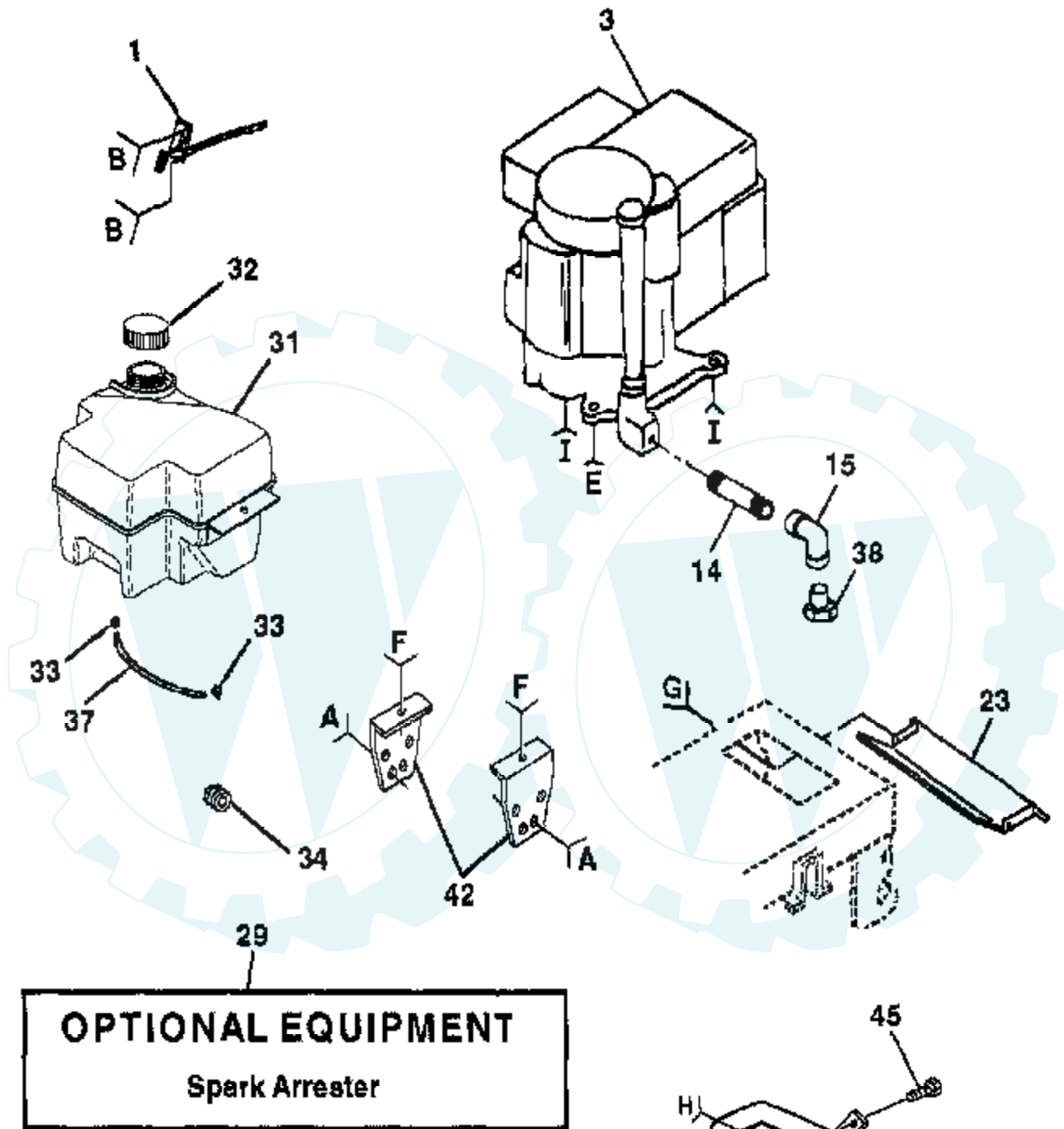
ELECTRICAL



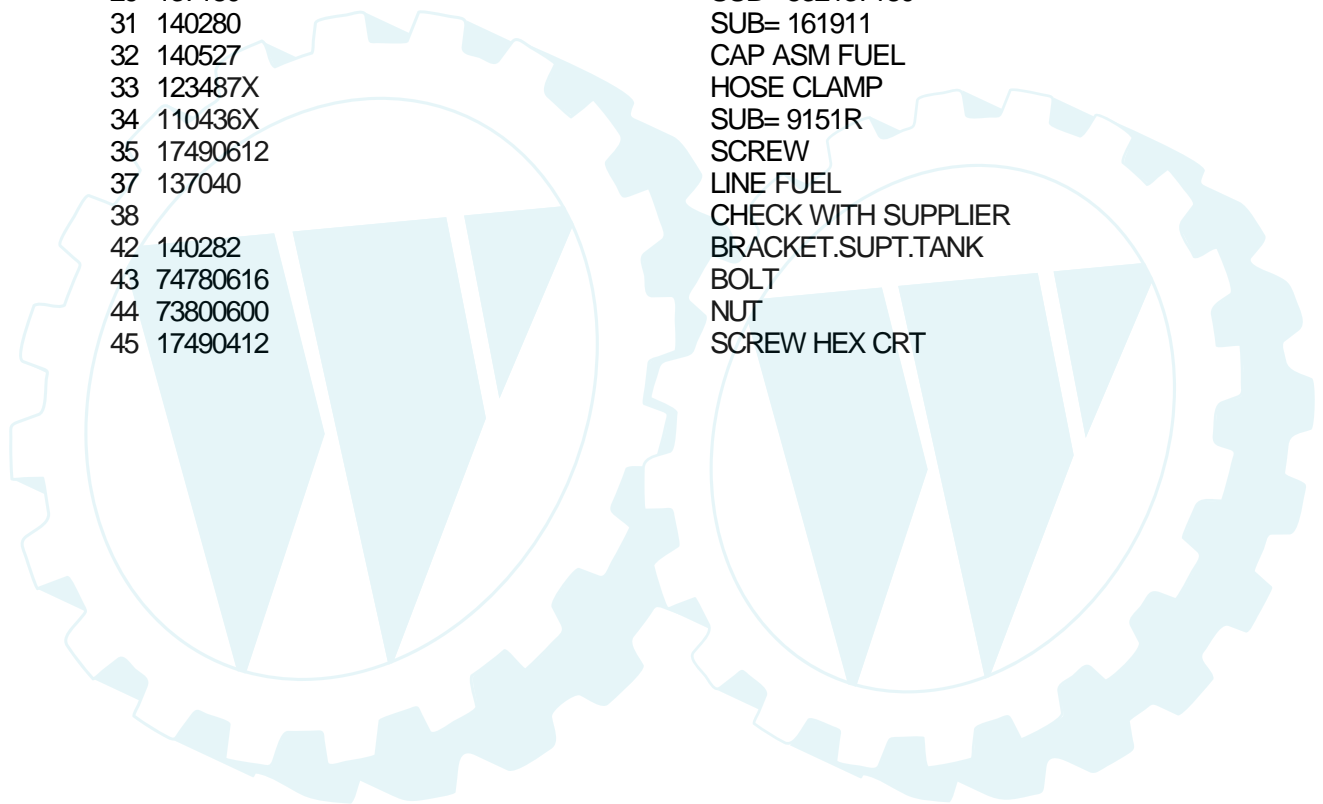
Ref #	Part Number	Qty	Description
1	121537X		SUB= 123899X
2	74760412		BOLT LT
3	19091016		WASHER
4	10040400		LOCKWASHER
5	121264X		"CAP,BATTERY "
6	73220400		SUB= 50675
7	109238X		TUBE T
8	129965		SUB= 156417
9	109596X		HOSE CLAMP T
19	10090400		SUB= 10040400
20	73350400		NUT
21	136850		"HARNES,LIGHT SOC"
22	4152J		HEADLAMP BULB
23	11150400		LOCKWASHER
24	4206J		CABLE-BATTERY T
25	4206J		CABLE-BATTERY T
26	108824X		FUSE HYT
28	4207J		CABLE T
29	121305X		SWITCH SEAT
30	140399		SUB= 163088
31	140400		SUB= 145774
32	141226		COVER KEY SWITCH
33	140401		KEY MLD GEN DELTA
34	110712X		SWITCH LT
35	140336		BRACKET SWITCH IN
36	17021008		SCREW
37	104445X		SWITCH-INTER. GT
40	140420		HARNES IGNITION
41	71110408		BOLT HXHD FIN
42	131563		SUB= 154336
43	138406		SUB= 146154
44	73640400		NUT HXKEP 1/4X20
45	140844		ADAPTER AMMETER
50	140404		SUB= 154959
51	140405		RING RETAIN PTO
70	143346		HARNES.ENG.B&S

14 HP 42" TRACTOR - - MODEL NUMBER WP1442A

ENGINE

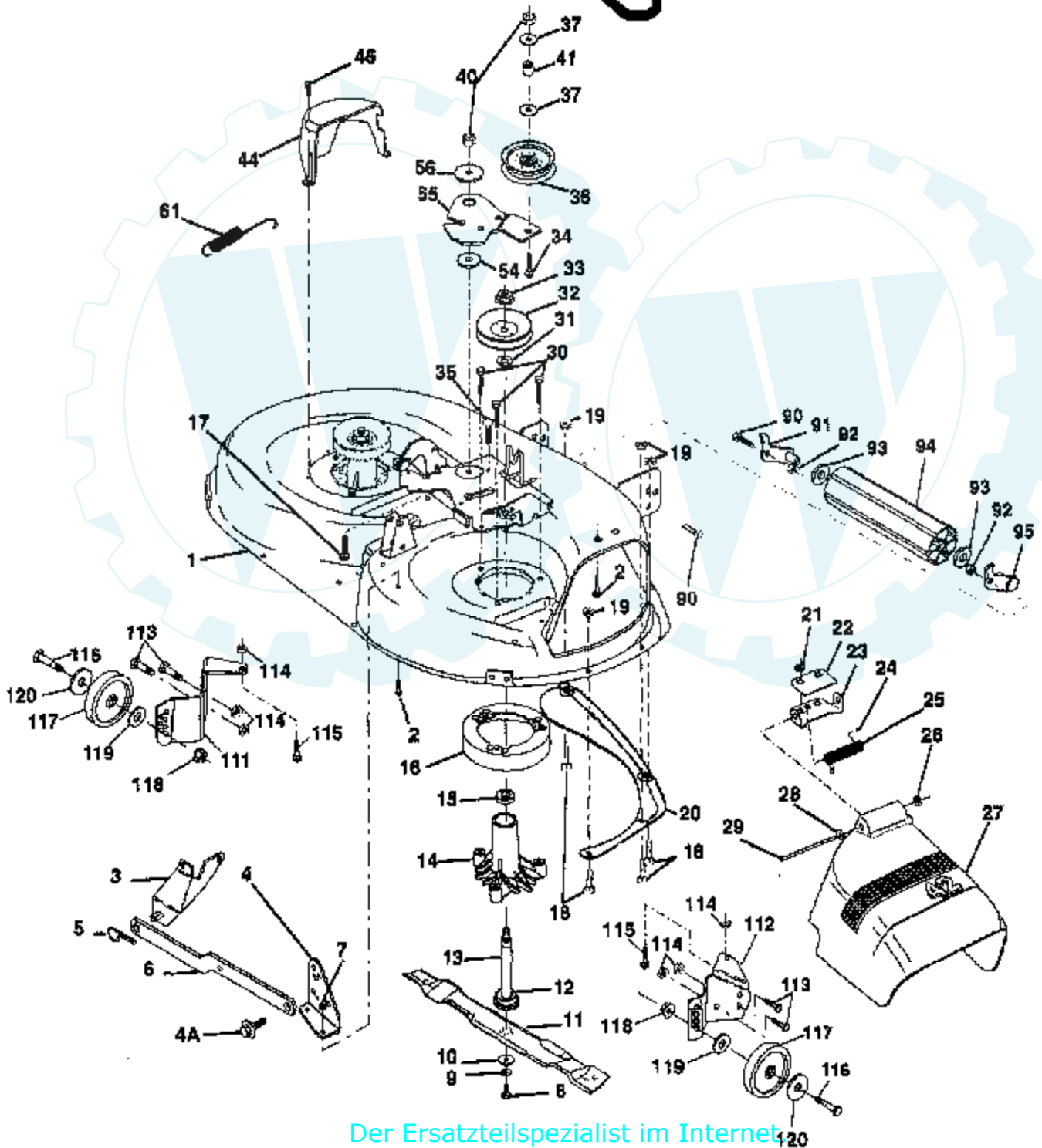


Ref #	Part Number	Qty	Description
1	132752		"CONTROL, THROTTLE"
2	17720410		SCREW LT
3	287707		ENGINE B&S
6	125593X		SUB= 272293
7	10040500		LOCKWASHER
8	71070512		SCREW
13	137352		MUFFLER
14	13280328		PIPE NIPPLE
15	13200300		ELBOW
16	11050500		LOCKWASHER.5/16.E
17	17490620		SCREW
23	128953X		SUB= 128953
24	17021008		SCREW
29	137180		SUB= 532137180
31	140280		SUB= 161911
32	140527		CAP ASM FUEL
33	123487X		HOSE CLAMP
34	110436X		SUB= 9151R
35	17490612		SCREW
37	137040		LINE FUEL
38			CHECK WITH SUPPLIER
42	140282		BRACKET.SUPT.TANK
43	74780616		BOLT
44	73800600		NUT
45	17490412		SCREW HEX CRT



14 HP 42" TRACTOR - - MODEL NUMBER WP1442A

MOWER DECK



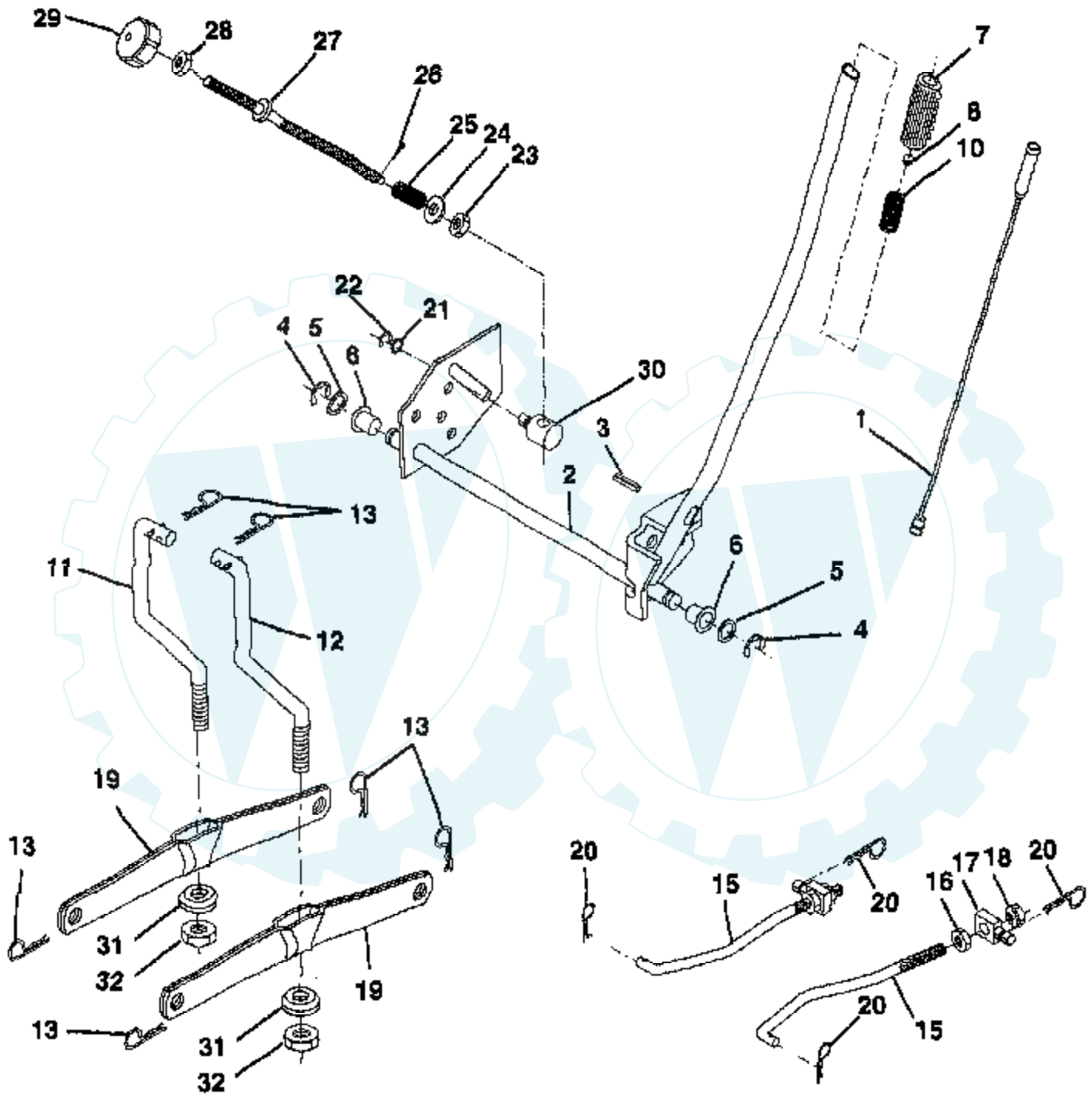
Ref #	Part Number	Qty	Description
1	140081		SUB= 144393
2	72140506		BOLT
3	138017		BRKT ASM SWAY BAR
4	138440		BRKT DECK SW BAR
4A	132827		BOLT SHD 5/16-18
5	4939M		SUB= 85902
6	130832		SUB= 130833
7	73800500		NUT
8	850857		BLADE BOLT
9	10030600		SUB= 10040600
10	140296		WASHER.HARD.BLADE
11	134149		"BLADE.42"" MULCHER"
12	129895		BEARING.BALL
13	137645		SUB= 137646
14	128774		HSG ASM MANDREL
15	110485X		BEARING
16	140329		STRIPPER RND MWR
17	72110622		BOLT
18	72140505		BOLT
19	73800500		NUT
20	136888		SUB= 918136888
21	73800500		NUT
22	134753		STIFFENER BRKT
23	131267		DEFLECTOR BRKT
24	105304X		CAP-SLEEVE LT
25	123713X		SPRING TORSION
26	110452X		NUT PUSH M
27	130968		DEFLECTOR.SHIELD
28	19111016		WASHER
29	131491		HINGE ROD
30	138776		SUB= 157722
31	129963		WASHER
32	129861		SUB= 153535
33	137266		SUB= 139729
34	72110610		BOLT RDHD 3/8-16
35	133835		XMAS TREE FASTNER
36	131494		FLAT IDLER PULLEY
37	19131316		WASHER
40	73800600		NUT
41	132823		SUB= 532132823
44	140088		GUARD MAND LH BLK
46	137729		SCREW.1/4-20X5/8
54	133943		HARDENED WASHER
55	140084		SUB= 151785
56	122052X		SPACER RETAINER
61	131950		SPRING.EXTENSION
68	140067		BELT-V MWR 82.625
111	140353		SUB= 155197
112	132262		SUB= 155198
113	74760512		BOLT
114	73510500		NUT
115	72110504		SUB= 872110504
116	4898H		BOLT M
117	105455X		WHEEL.GAGE.BLK.PL
118	73930600		LOCKNUT
119	19121414		WASHER
120	19171512		WASHER
	130794		MANDREL ASM

Ref #	Part Number	Qty	Description
	140476		SUB= 145452



14 HP 42" TRACTOR - - MODEL NUMBER WP1442A

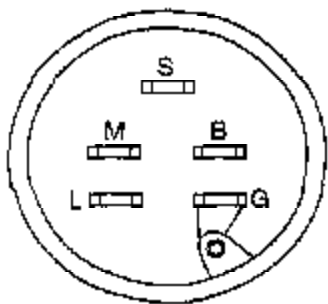
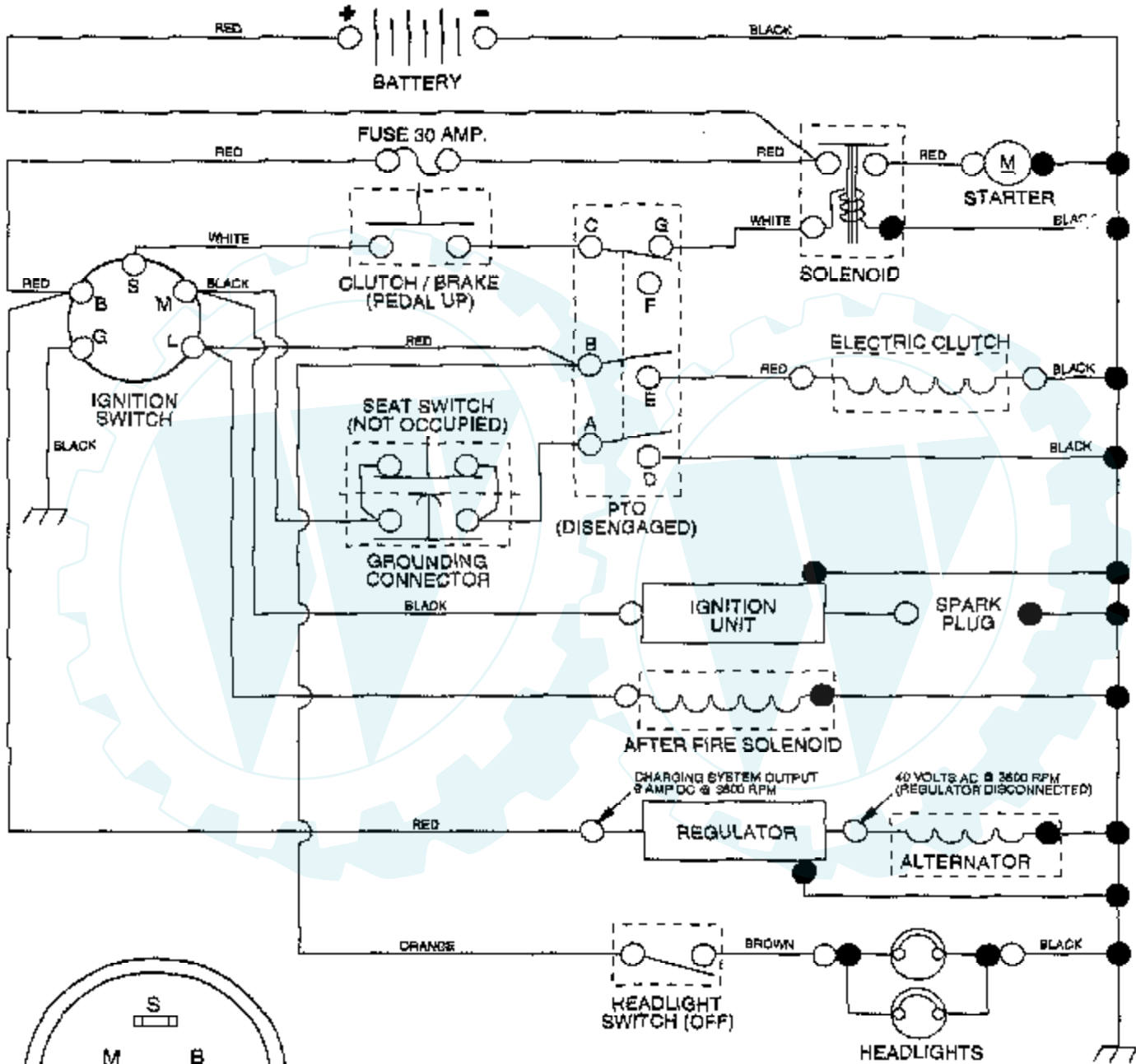
MOWER LIFT



Ref #	Part Number	Qty	Description
1	136971		WIRE.ASM.INNER
2	136968		SHAFT.ASM.LIFT.RH
3	138284		PIN GROOVE
4	12000002		SUB= 2225J
5	19211621		WASHER
6	120183X		NYLON BEARING
7	109413X		GRIP
8	124526X		SUB= 125925X
10	122512X		SUB= 532122512
11	139865		SUB= 918139865
12	139866		SUB= 151140
13	4939M		SUB= 85902
15	127218		LINK.FRONT
16	73350800		NUT
17	130171		TRUNION
18	73800800		NUT.LK.W/WSH.1/2.
19	139868		ARM SUSP REAR
20	3146R		RETAINER.SPRING
21	19151216		WASHER
22	12000037		KLIP RING
23	110807X		NUT T
24	19131016		WASHER
25	2876H		SPRING T
26	76020308		SUB= 3145
27	110729X		ROD LIFT LT
28	73350600		NUT
29	138057		KNOB INF 3/8-16
30	110810X		TRUNION LT
31	140302		BEARING PVT LH
32	73810600		NUT.LOCK.3/8-24

14 HP 42" TRACTOR - - MODEL NUMBER WP1442A

SCHEMATIC



IGNITION SWITCH

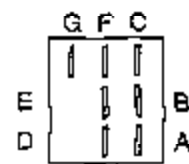
POSITION	CIRCUIT
OFF	M + G
ON	B + L
START	B + S + L

● NON-REMOVABLE CONNECTIONS

○ REMOVABLE CONNECTIONS

WIRING INSULATED CLIPS

NOTE: IF WIRING INSULATED CLIPS WERE REMOVED FOR SERVICING OF UNIT, THEY SHOULD BE REPLACED TO PROPERLY SECURE YOUR WIRING



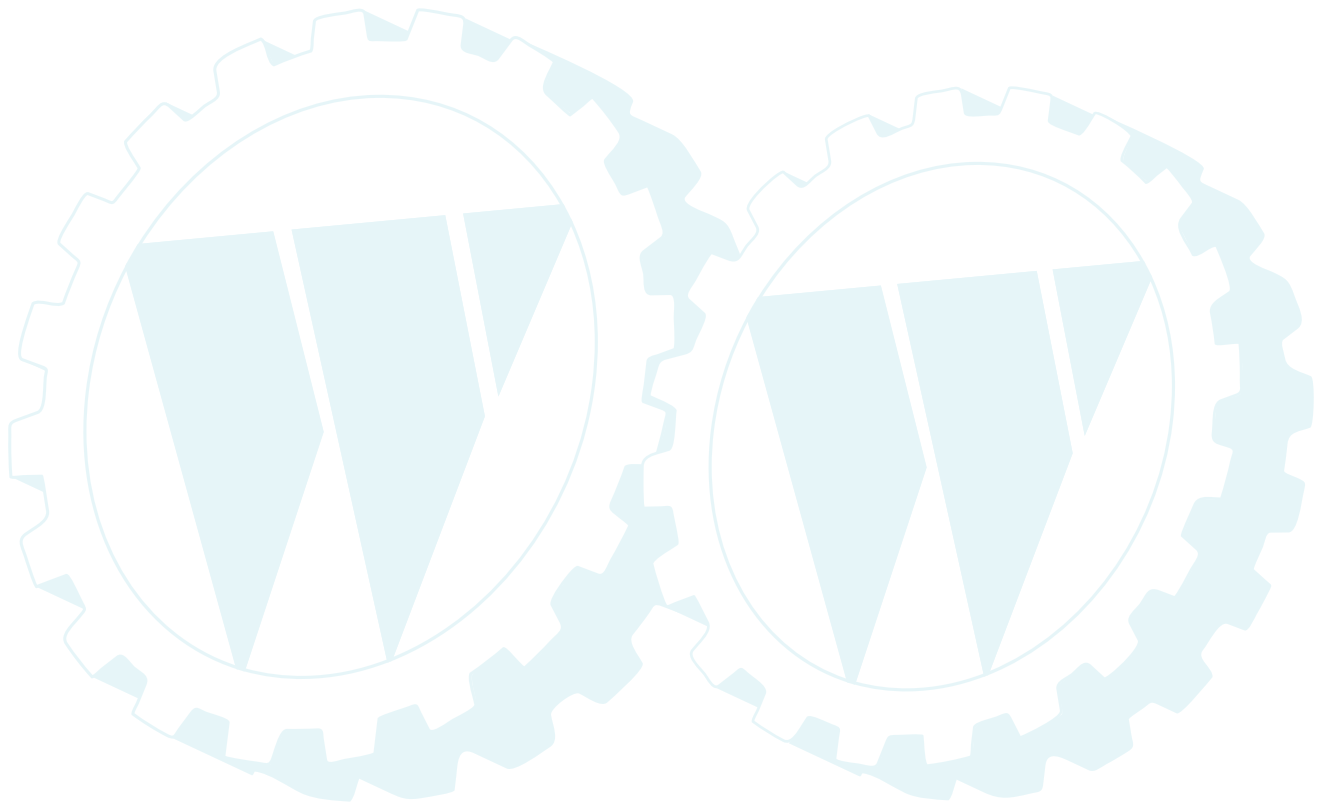
PTO SWITCH

POSITION	CIRCUIT
OFF	C + G
ON	C + F, B + E, A + D

Ref # Part Number

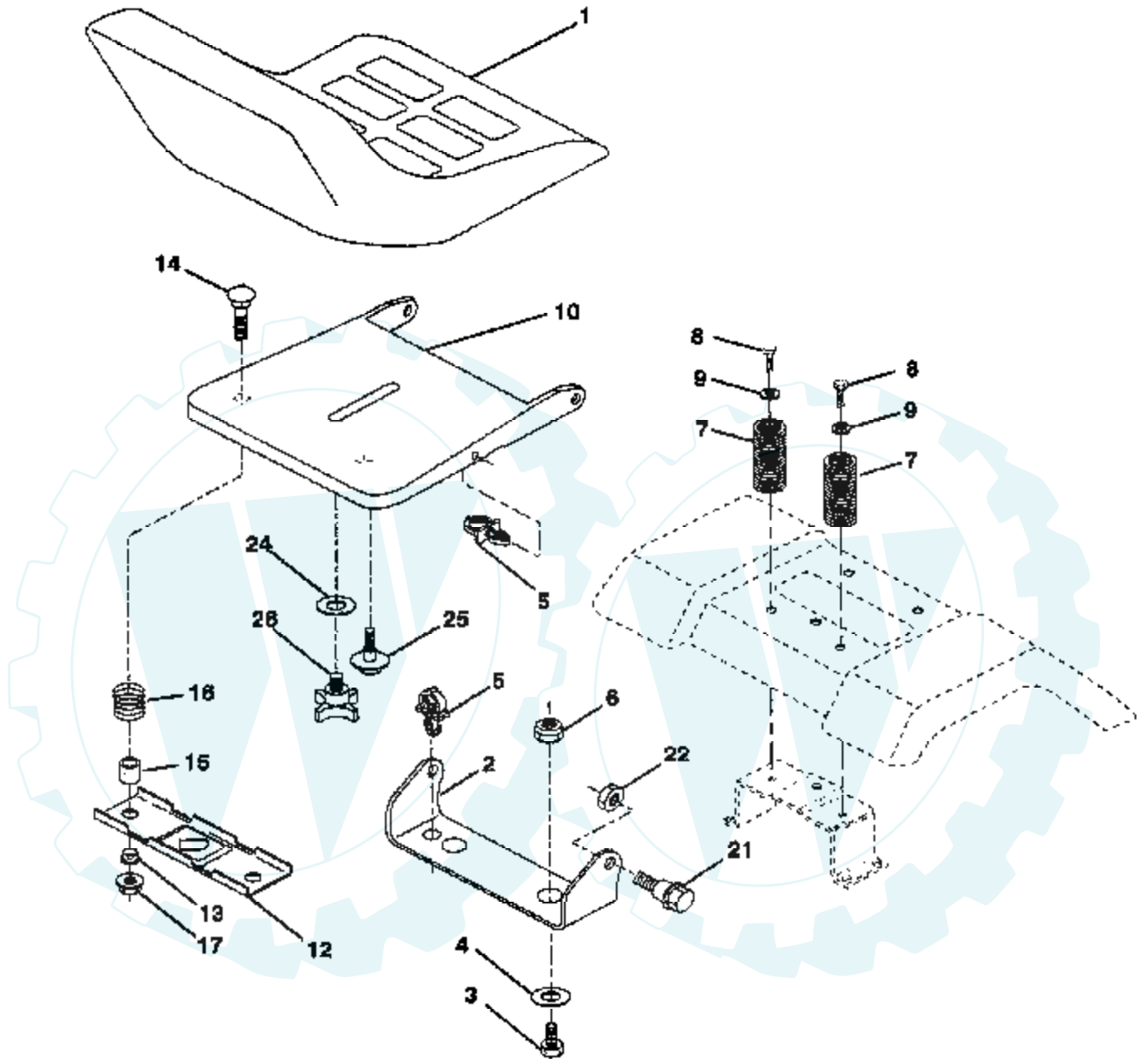
Qty Description

REFER TO IMAGE

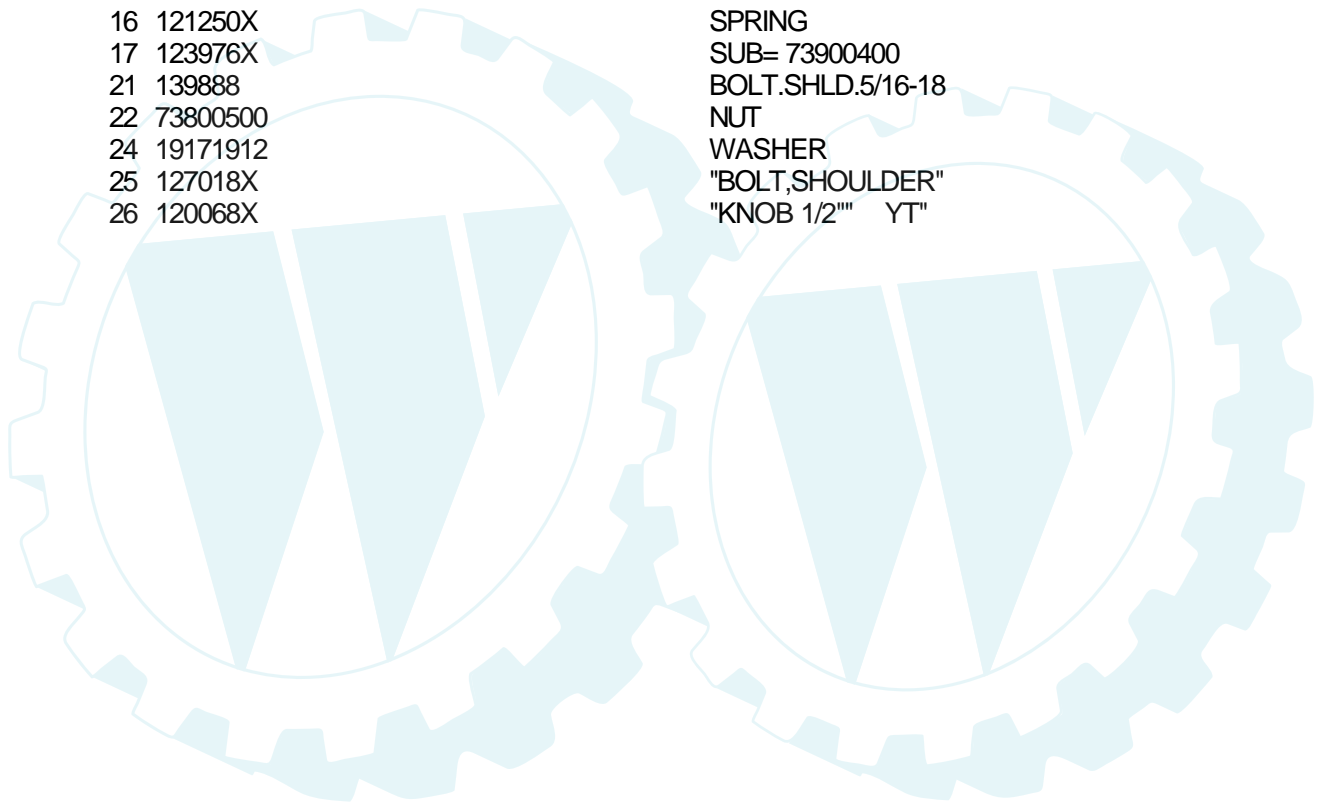


14 HP 42" TRACTOR - - MODEL NUMBER WP1442A

SEAT

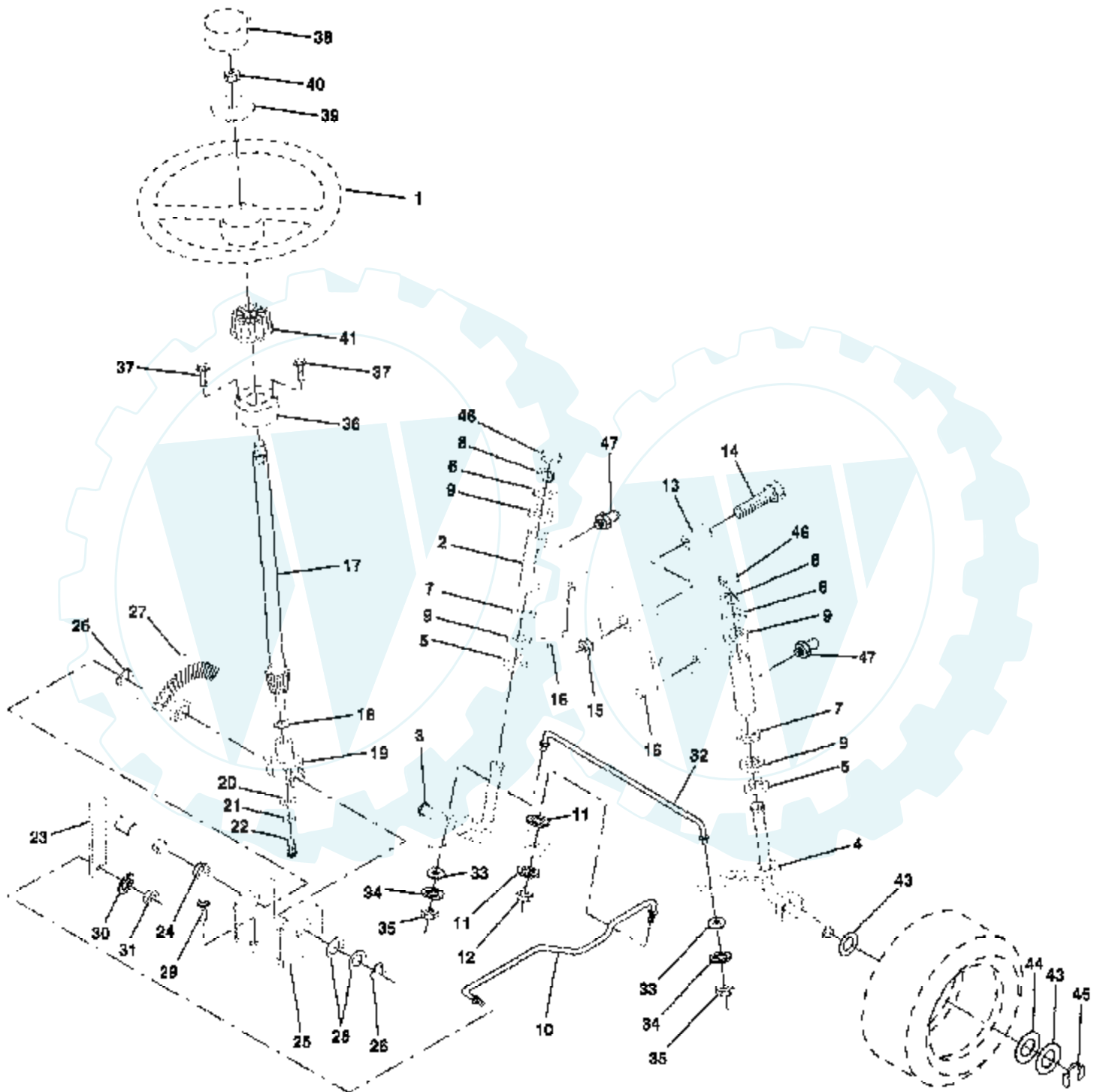


Ref #	Part Number	Qty	Description
1	127427		SUB= 140119
2	140551		BRACKET PVT SEAT
3	74760616		BOLT
4	19131610		WASHER PM
5	140407		CLIP PUSH - IN
6	73800600		NUT
7	124181X		SPRING COMPRESSIO
8	17490640		SCREW
9	19131614		WASHER
10	140552		SUB= 155925
12	121246X		BRKT SWITCH
13	121248X		BUSHING
14	72050411		SUB= 872050411
15	134300		SPLIT SPACER
16	121250X		SPRING
17	123976X		SUB= 73900400
21	139888		BOLT.SHLD.5/16-18
22	73800500		NUT
24	19171912		WASHER
25	127018X		"BOLT,SHOULDER"
26	120068X		"KNOB 1/2" YT"



14 HP 42" TRACTOR - - MODEL NUMBER WP1442A

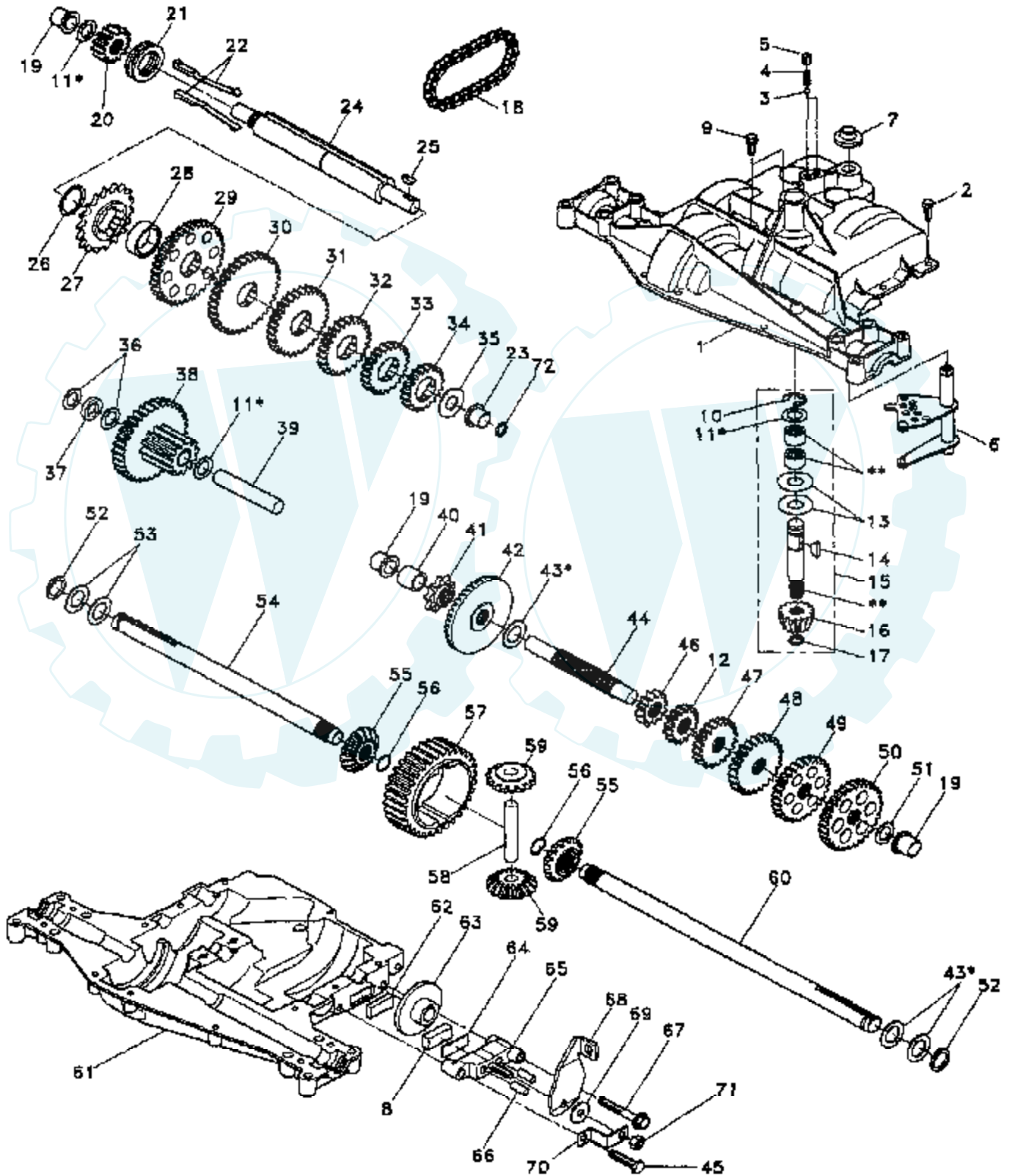
STEERING WHEEL



Ref #	Part Number	Qty	Description
1	121472X		SUB= 150546
2	142033		AXLE ASM FRONT
3	135227		SPINDLE LH
4	135228		SPINDLE RH
5	6266H		WASHER .T
6	121748X		WASHER
7	19272016		WASHER
8	12000029		RING
9	3366R		COL. SRTG. BEAR.
10	130468		SUB= 532130468
11	10040600		LOCKWASHER
12	73610600		SUB= 7810H
13	110438X		BEARING
14	74011056		BOLT HEX 5/8-11
15	73901000		"NUT-LOC,FLANGE LT"
16	132624		AXLE PIN
17	128758		STEERING SHAFT
18	57079		THRUST WASHER
19	124035X		SUPPORT.SHAFT
20	126684X		SUB= 532126684
21	10040400		LOCKWASHER
22	71070410		"SCREW,SPECIAL"
23	127501		SUB= 918127501
24	109816X		NYLINER T
25	124036X		"BRKT,STEERING"
26	12000029		RING
27	136874		GEAR SECTOR
28	6266H		WASHER .T
29	17490612		SCREW
30	10040600		LOCKWASHER
31	73610600		SUB= 7810H
32	130467		TIE ROD
33	19111216		WASHER M
34	10040500		LOCKWASHER
35	73810500		NUT.LOCK.5/16-24
36	1554J		SUB= 155108
37	17431008		SUB= 98000165
38	126805X		"INSERT,STR WHEEL"
39	100712K		WASHER
40	73940800		SUB= 73360800
41	100711L		ADAPTER LT
43	121749X		WASHER
44	121748X		WASHER
45	12000029		RING
46	121232X		CAP
47	6855M		ZERK M

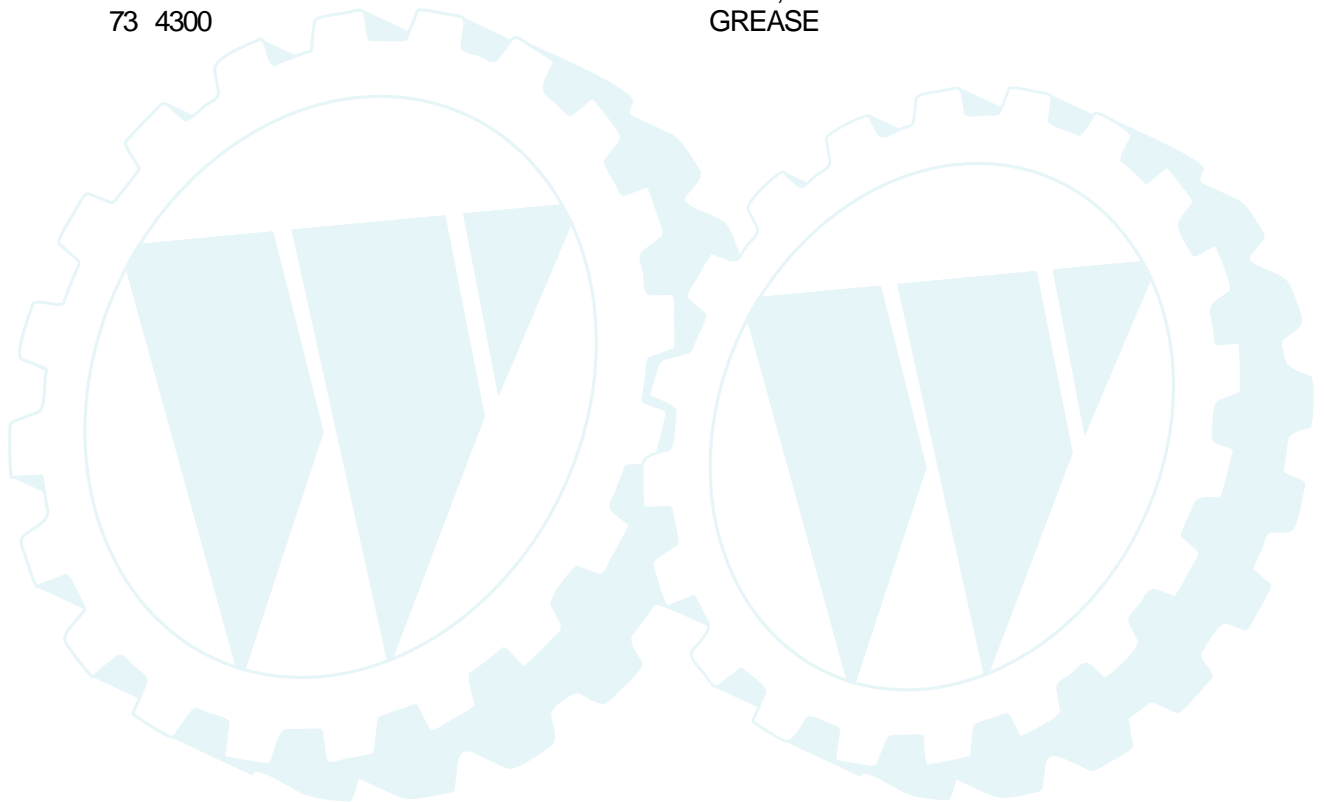
14 HP 42" TRACTOR - - MODEL NUMBER WP1442A

TRANSAXLE - DANA 4360-81

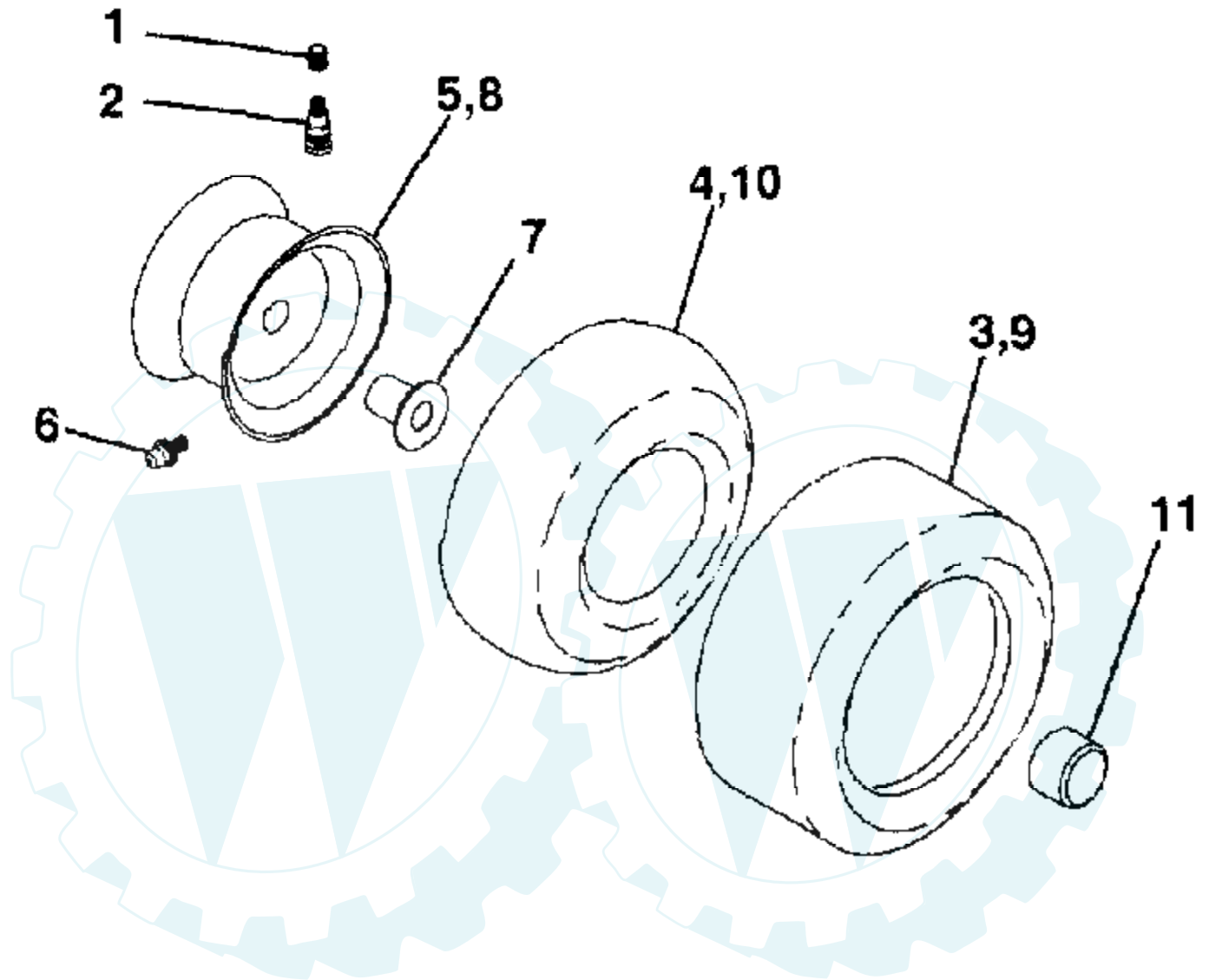


Ref #	Part Number	Qty	Description
1	5305D		HOUSING, UPPER
2	1919		SCREW
3	5112		BALL, DETENT
4	3626		SPRING, DETENT
5	3623		SCREW, SET
6	4604		KIT, SHIFTER ASSEMBLY
7	5024		BOOT, SHIFTER
8	3907		PUCK, FRICTION
9	5131		SCREW TAPPING WITH SEALER
10	1106		RING, RETAINING
11	4689		ASSY, KIT, SHIM .625 SHAFT
12	5406		GEAR, SPUR, 15T
13	3876		WASHER, PLAIN .632 X 1.38 X .046
14	1746		KEY, WOODRUFF, #9
15	4171		ASSY KIT INPUT SHAFT
16	3725		PINION BEVEL 14 TEETH
17	3624		RING, RETAINING
18	3625		CHAIN, 24 PITCHES
19	1542		BEARING, FLANGE
20	5402		GEAR, SPUR, 14 TEETH
21	5303		COLLAR, CLUTCH
22	4759		ASSY, KIT, CLUTCH KEYS
23	5415		BEARING, FLANGE
24	5403		SHAFT, INTERMEDIATE
25	1375		KEY, WOODRUFF, #61
26	3627		RING, RETAINING
27	3830		SPROCKET, 18 TEETH
28	3841		SPACER
29	5365		GEAR, SPUR, 37 TEETH
30	5407		GEAR, SPUR, 35T
31	3867		GEAR, SPUR, 30 TEETH
32	3783		GEAR, SPUR, 25 TEETH
33	3869		GEAR, SPUR, 22 TEETH
34	5202		GEAR, SPUR, 19 TEETH
35	3628		WASHER, PLAIN .640 X 1.37 X .061
36	1423		WASHER, PLAIN .632 X 1.00 X .026
37	3422		SPACER .630 X 1.00 X .169
38	4286		ASSY GEAR COMB 12&35 TEETH
39	3967		SHAFT, IDLER
40	3901		SPACER .635 X .875 X .755
41	3645		SPROCKET, 9 TEETH
42	3589		GEAR, BEVEL, 42 TEETH
43	4691		ASSY, KIT, SHIM .750 SHAFT
44	3882		SHAFT, DRIVE
45	3724		SCREW TAPPING
46	5364		GEAR SPUR, 12 TEETH
47	3866		GEAR, SPUR, 20 TEETH
48	3719		GEAR, SPUR, 25 TEETH
49	3868		GEAR, SPUR, 28 TEETH
50	3683		GEAR, SPUR, 31 TEETH
51	1145		WASHER, PLAIN .632 X 1.00 X .060
52	5130		WASHER, NEOPRENE
53	3184		WASHER, PLAIN .758 X 1.25 X .031
54	3880		AXLE LEFT HAND
55	3871		GEAR MITER 15 TEETH
56	3656		RING, RETAINING
57	3839		GEAR, SPUR, 32 TEETH
58	3919		SHAFT, CROSS

Ref #	Part Number	Qty	Description
59	3726		GEAR, MITER, 15 TEETH
60	3881		AXLE, R.H.
61	5304E		HOUSING, LOWER
62	3920		PUCK, FRICTION
63	3276		DISC, BRAKE
64	3758		SPACER
65	3916		JAW, BRAKE
66	3843		PIN, DOWEL
67	5120		SCREW, SELF-TAPPING
68	5285		LEVER ACTUATING
69	3760		WASHER, PLAIN .321 X 1.00 X .055
70	3917		BRACKET, ANTI-ROTATION
71	3847		LOCKNUT 5/16-24
72	5416		SEAL, OIL
73	4300		GREASE



TIRES AND WHEELS



Ref #	Part Number	Qty	Description
1	59192		VALVE CAP
2	65139		VALVE STEM LT
3	106222X		SUB= 122073X
4	59904		TUBE.5.3/4.5/6
5	106732X417		"RIM,FRT T"
6	278H		FITTING LT
7	9040H		"FLANGE, BEARING"
8	106108X417		"RIM 8""
9	138468		TIRE.20X8-8
10	7152J		TUBE.18X9.5-8
11	104757X		HUB CAP

