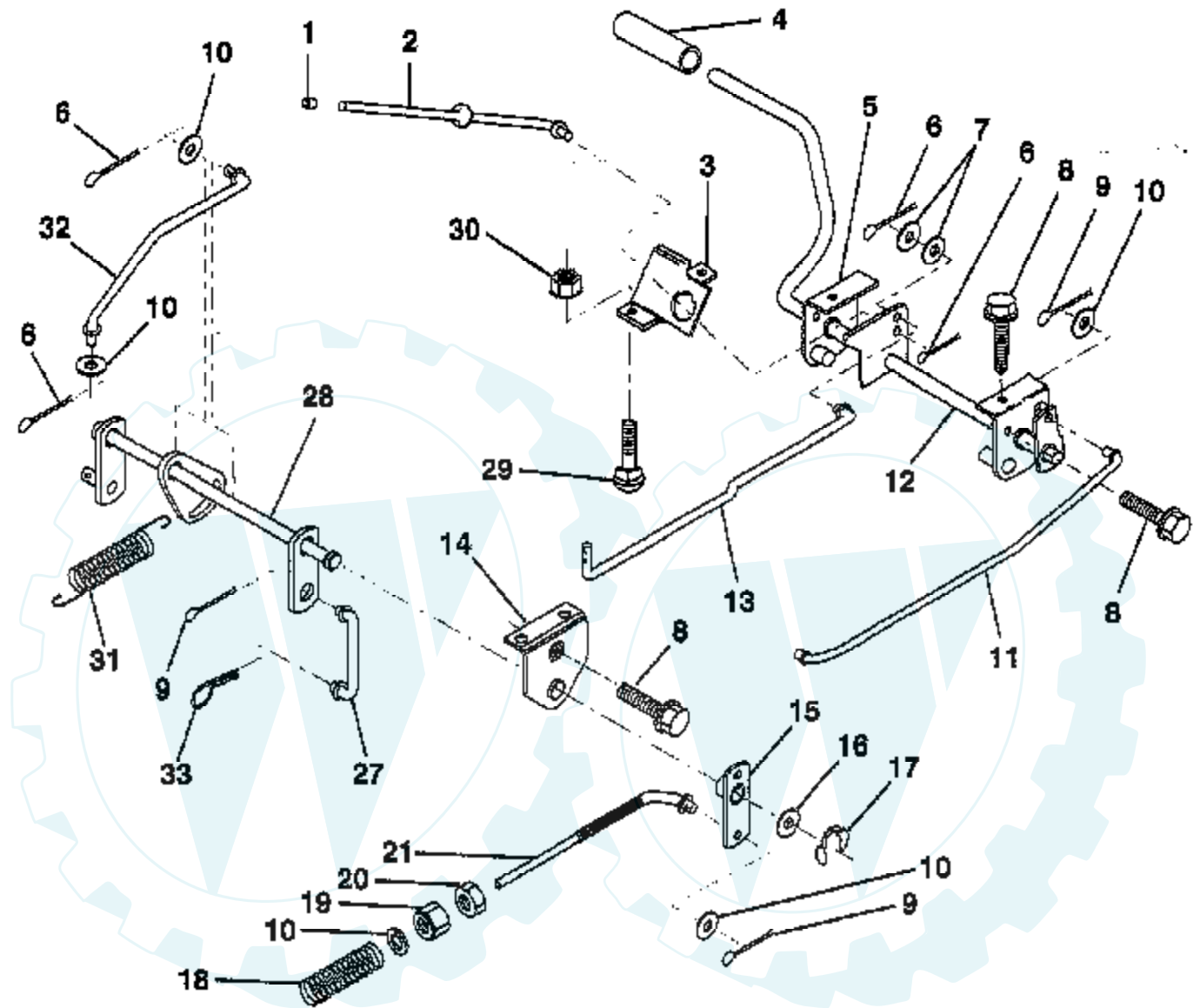


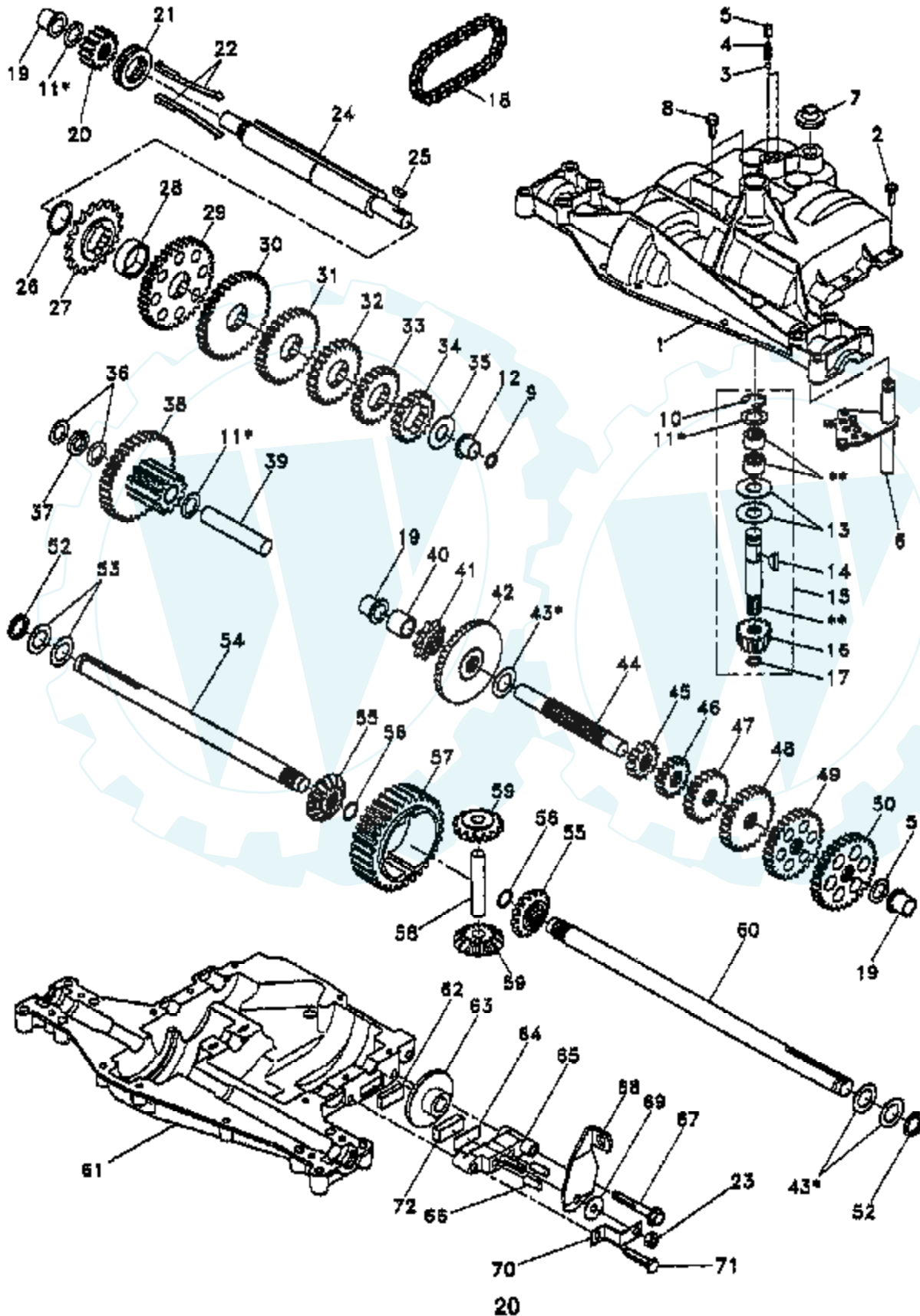
12 HP 38" TRACTOR - - MODEL NUMBER WP12R38C BRAKE / REAR MOWER LIFT ASSEMBLY



NOTE: All component dimensions given in U.S. inches
1 inch = 25.4 mm

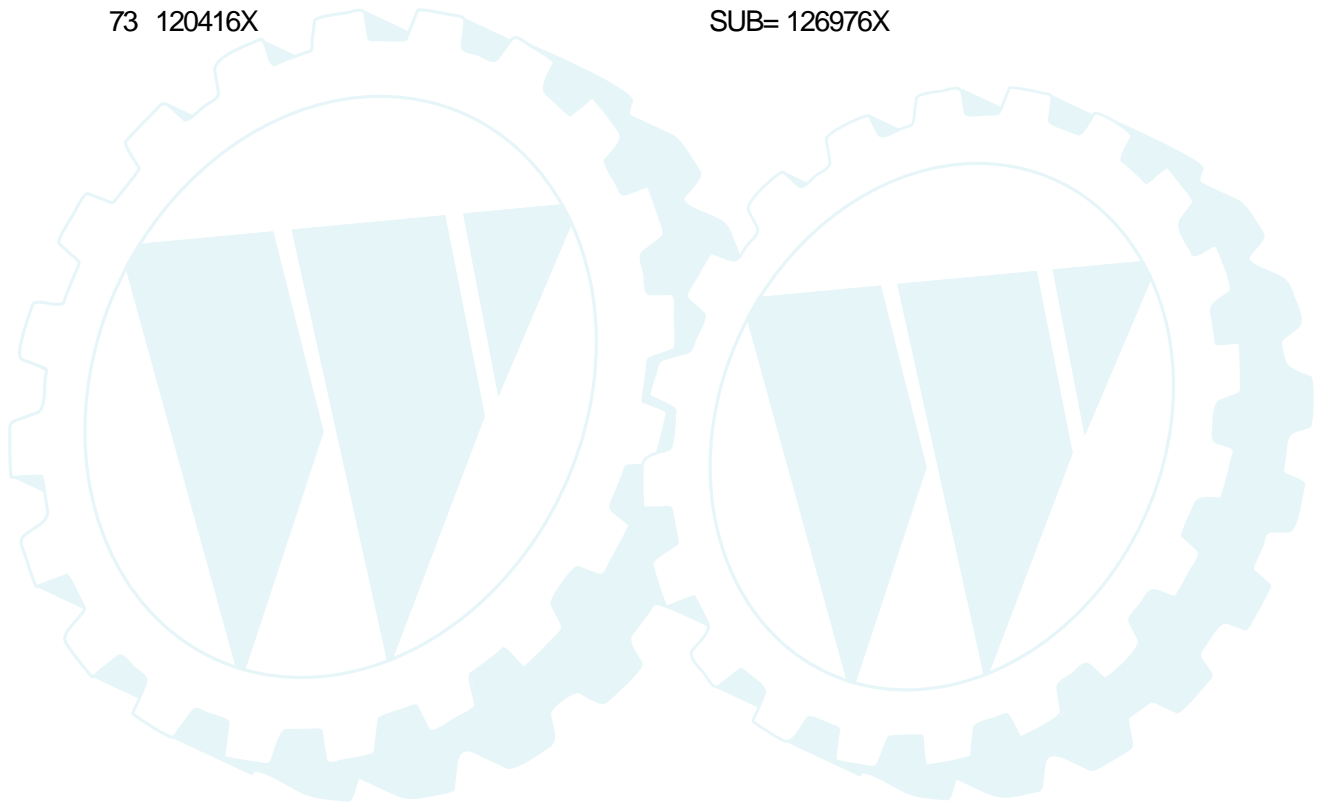
Ref #	Part Number	Qty	Description
1	71673		PLUNGER CAP T
2	123436X		"ROD,PARK BRAKE"
3	123437X		"BRKT,PARK BRAKE"
4	8883R		PEDAL COVER T
5	132205		BRK ASM CLUT LH
6	76020312		SUB= 3145
7	19131016		WASHER
8	17490508		SCREW LT
9	76020412		COTTER PIN
10	19131316		WASHER
11	123543X		"ROD,FRT BRAKE"
12	139934		PEDAL ASM CLU/BRK
13	123394X		"ROD,CLUTCH"
14	121978X		"BRKT,LIFT SHAFT"
15	133332		PVT BRAKE ARM ASM
16	19251816		WASHER T
17	12000034		KLIP RING
18	106888X		SPRING ROD LT
19	73350600		NUT
20	73800600		NUT
21	131460		SUB= 532131460
27	136780		LINK LIFT REAR LR
28	140777		LIFT.ASM.REAR.LR
29	72110506		SUB= 72270506
30	73510500		NUT
31	133095		COUNTER SPRING
32	133721		LINK LIFT LEVER
33	4939M		SUB= 85902

12 HP 38" TRACTOR - - MODEL NUMBER WP12R38C DANA TRANSAXLE - MODEL NUMBER 4360-79



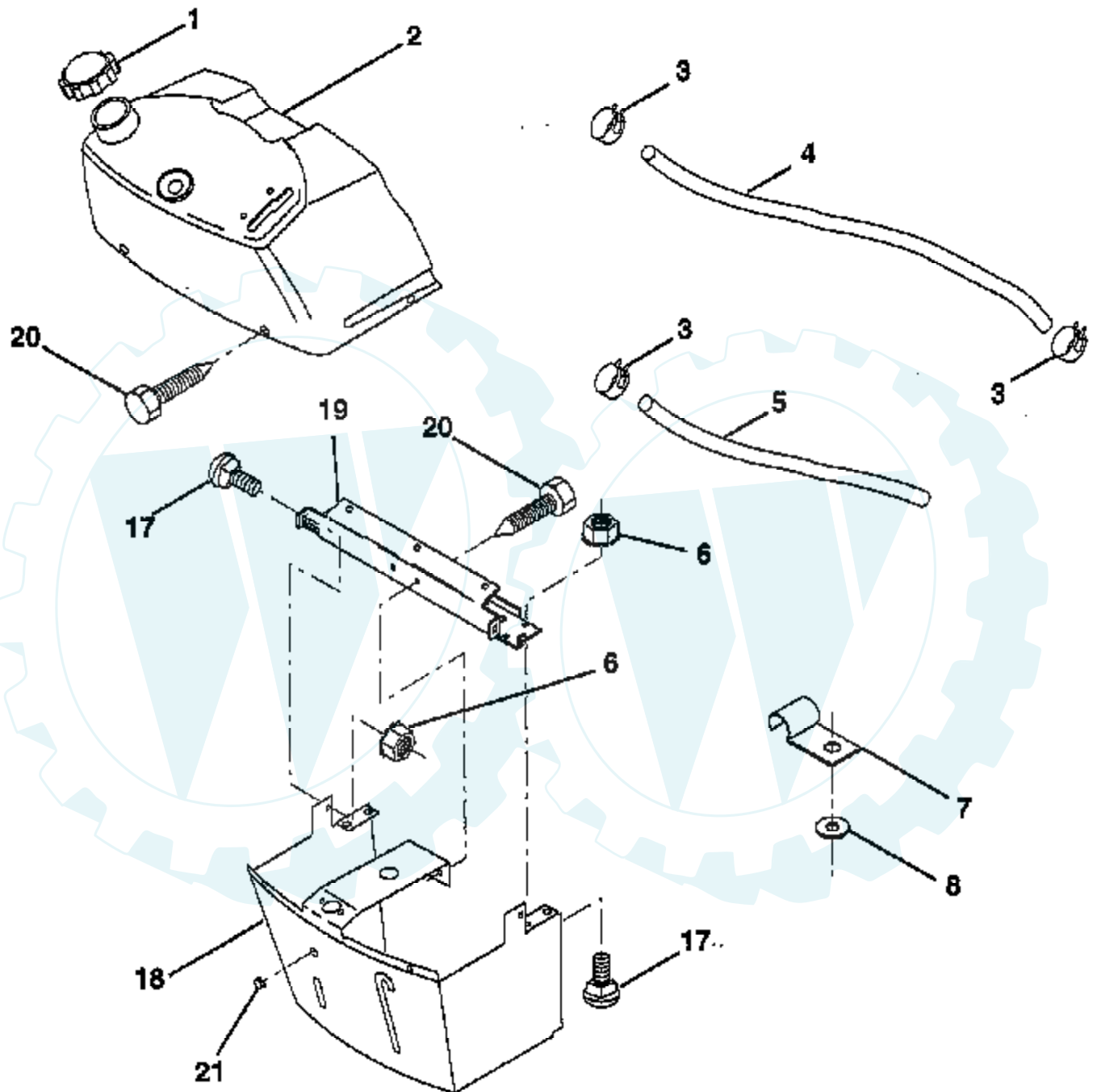
Ref #	Part Number	Qty	Description
1	142671		HOUSING UPPER TRN
2	2274J		SUB= 74760412
3	134400		SUB= 68003
4	105904X		"SPRING, DETENT LT"
5	105905X		"SCREW, SET LT"
6	138235		KIT SHIFTER ASM
7	134399		SHIFTER BOOT
8	134791		SCREW TAP W/SEAL
9	138241		SQUARE RING
10	142672		SUB= 2225J
11	134793		ASM KIT SHIM 4689
12	142673		BEARING FLAN-DANA
13	120415X		WASHER T
14	142674		KEY WOODRUFF-DANA
15	138234		AS KIT INPUT SHFT
16	110078X		PINION 14T T
17	105909X		"RING,RETAINING LT"
18	105910X		"CHAIN,24 PTCH LT"
19	105911X		BEARING.FLNG.5510
20	142675		GEAR SPUR 14 TTH
21	138246		COLLAR CLUTCH
22	138236		ASM KIT CLTCH KEY
23	73810500		NUT.LOCK.5/16-24
24	142676		SHAFT INTERM DANA
25	2244J		WOODRUFF KEY
26	105916X		"RING,RETAINING LT"
27	120470X		SPROCKET 18T T
28	110070X		SPACER YT
29	142677		GEAR SPUR 37 TTH
30	142681		GEAR SPUR 35 TTH
31	120405X		SUB= 124644X
32	108980X		GEAR 25T LT
33	120406X		GEAR SPUR 22 TT
34	134796		SPUR GEAR 19T
35	105925X		"WASHER, PLAIN LT"
36	2232J		WASHER 025
37	108978X		SPACER
38	110079X		ASSM GEAR COMB
39	124639X		SHAFT IDLER
40	120472X		SPACER T
41	105928X		SPROCKET 9T LT
42	110084X		SUB= 167148
43	134394		ASM KIT SHIM
44	120473X		SHAFT T
45	142678		GEAR SPUR 12 TTH
46	142679		GEAR SPUR 15 TTH
47	120407X		SUB= 124641X
48	106589X		"GEAR, SPUR 25T LT"
49	120408X		GEAR 28T T
50	105937X		"GEAR, SPUR 31T LT"
51	2226J		WASHER 060
52	134401		NEOPRENE WASHER
53	2264J		WASHER 031
54	120474X		SUB= 154658
55	110081X		GEAR 15T T
56	105941X		"RING,RETAINING LT"
57	110071X		SUB= 120478X
58	120952X		SHAFT T

Ref #	Part Number	Qty	Description
59	110082X		GEAR 1ST T
60	120475X		SUB= 154659
61	142680		HOUSING LOWER TNS
62	120961X		PUCK T
63	7294J		BRAKE DISC. T
64	108989X		SPACER LT
65	120953X		SUB= 918120953X
66	120954X		PIN T
67	134799		TAP SCREW
68	138244		SUB= 108992X
69	108996X		WASHER LT
70	120956X		NLA
71	106596X		"SCREW, TAPPING LT"
72	120951X		PUCK T
73	120416X		SUB= 126976X



12 HP 38" TRACTOR - - MODEL NUMBER WP12R38C

DASHBOARD



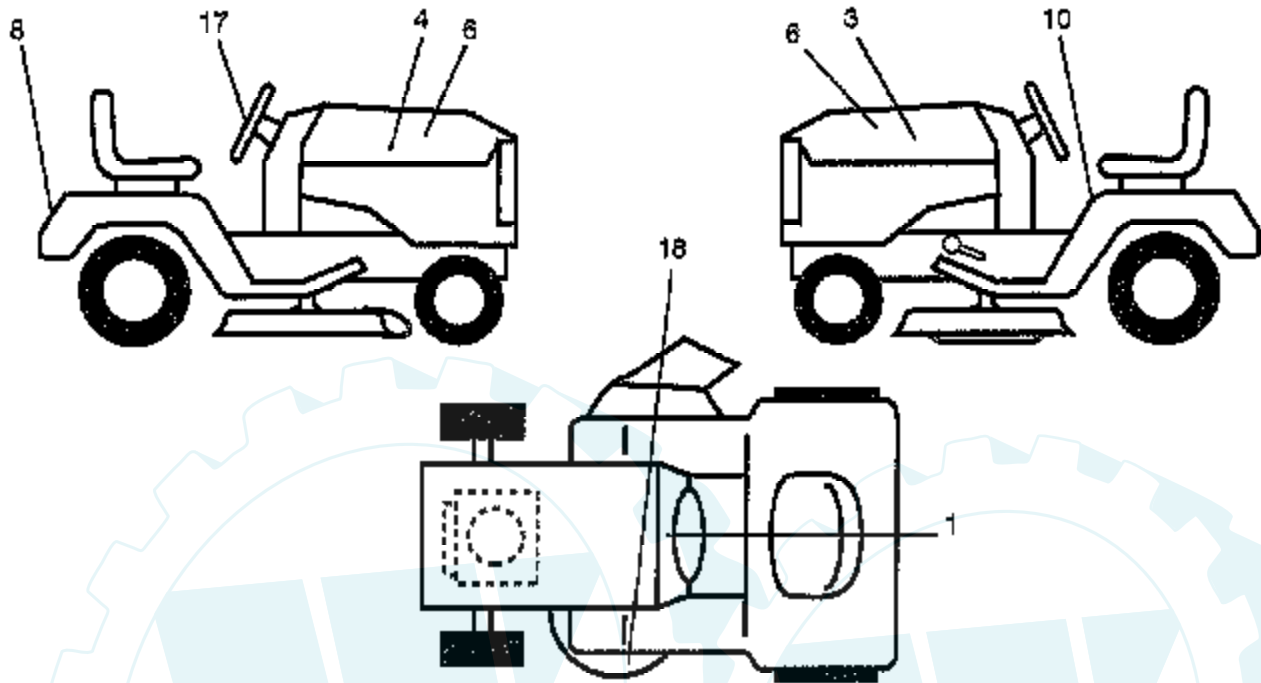
NOTE: All component dimensions given in U.S. Inches
1 inch = 25.4 mm

Ref #	Part Number	Qty	Description
1	141523		CAP BLK FUEL LR
2	138392		TANK.ASM.DASH.LR
3	123487X		HOSE CLAMP
4	8544R		SUB= 295J
5	8548R		FUEL LINE T
6	73510400		NUT
7	2751R		CLIP T
8	19091216		WASHER PM
17	72110404		BOLT
18	131886		SUPT ASM DASH
19	134744		CROSS BRACE
20	17060408		SCREW.1/4-20X1/2
21	134014		PLUG DOME



12 HP 38" TRACTOR - - MODEL NUMBER WP12R38C

DECALS



Available accessories not included with tractor:

- - CR38 Grass Catcher 38"
- - MP38 Mulcher Kit

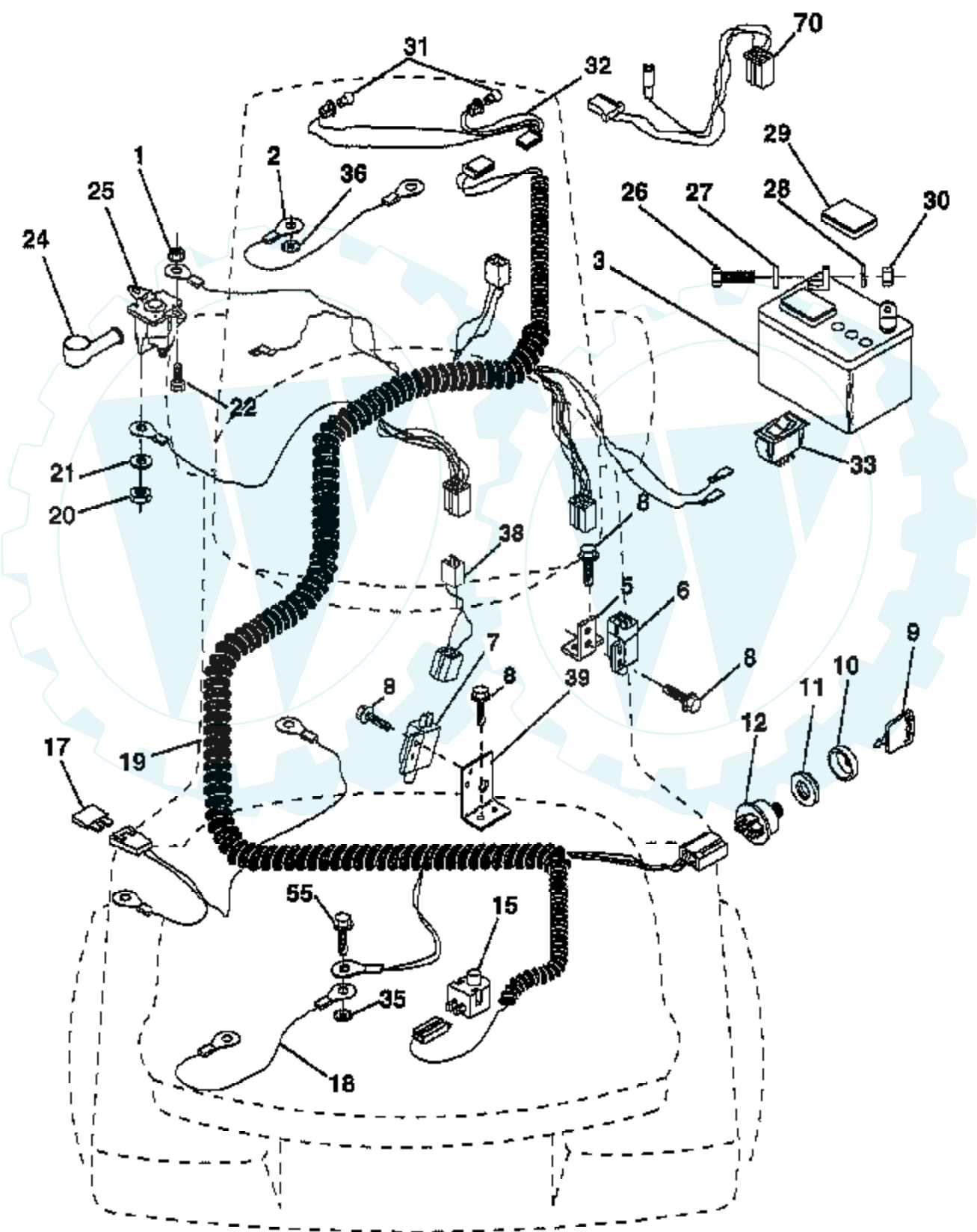
NOTE: All component dimensions given in U.S. inches
1 inch = 25.4 mm

Ref #	Part Number	Qty	Description
1	138272		REFER TO IMAGE
3	135837		DECAL.INST.OPER
4	135836		NLA
6	124051X		DECAL.HOOD.LOGO.
8	135841		DECAL, FENDER LOGO
10	133796		DECAL
17	135844		DECAL, WHEEL CAP
18	135013		NLA
	140227		MANUAL.GEN.LR.38
	143615		MANUAL.P.WP12R38C
	CR38		GRASS CATCHER 38"
	MP38		SUB= MP38A



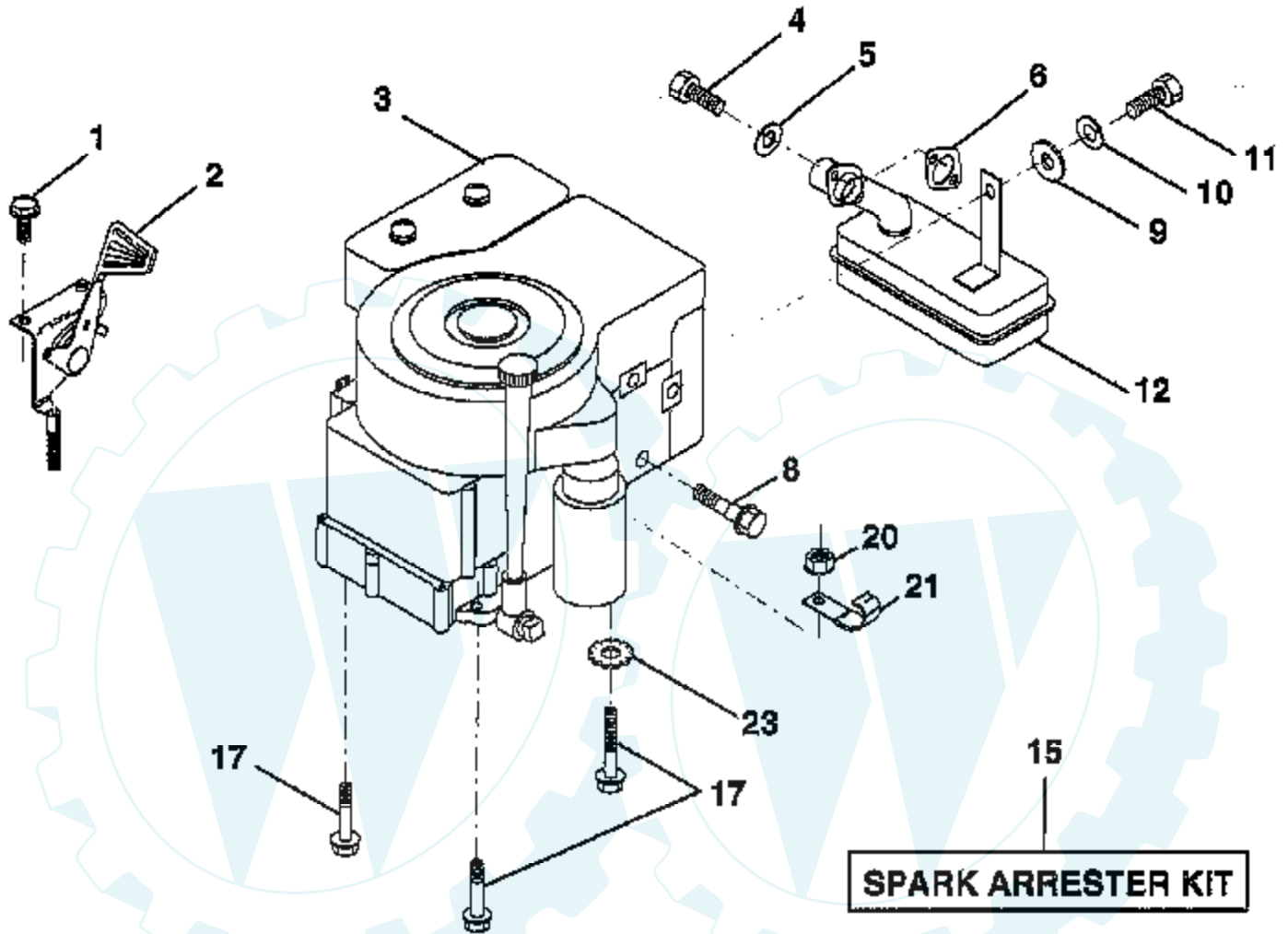
12 HP 38" TRACTOR - - MODEL NUMBER WP12R38C

ELECTRICAL



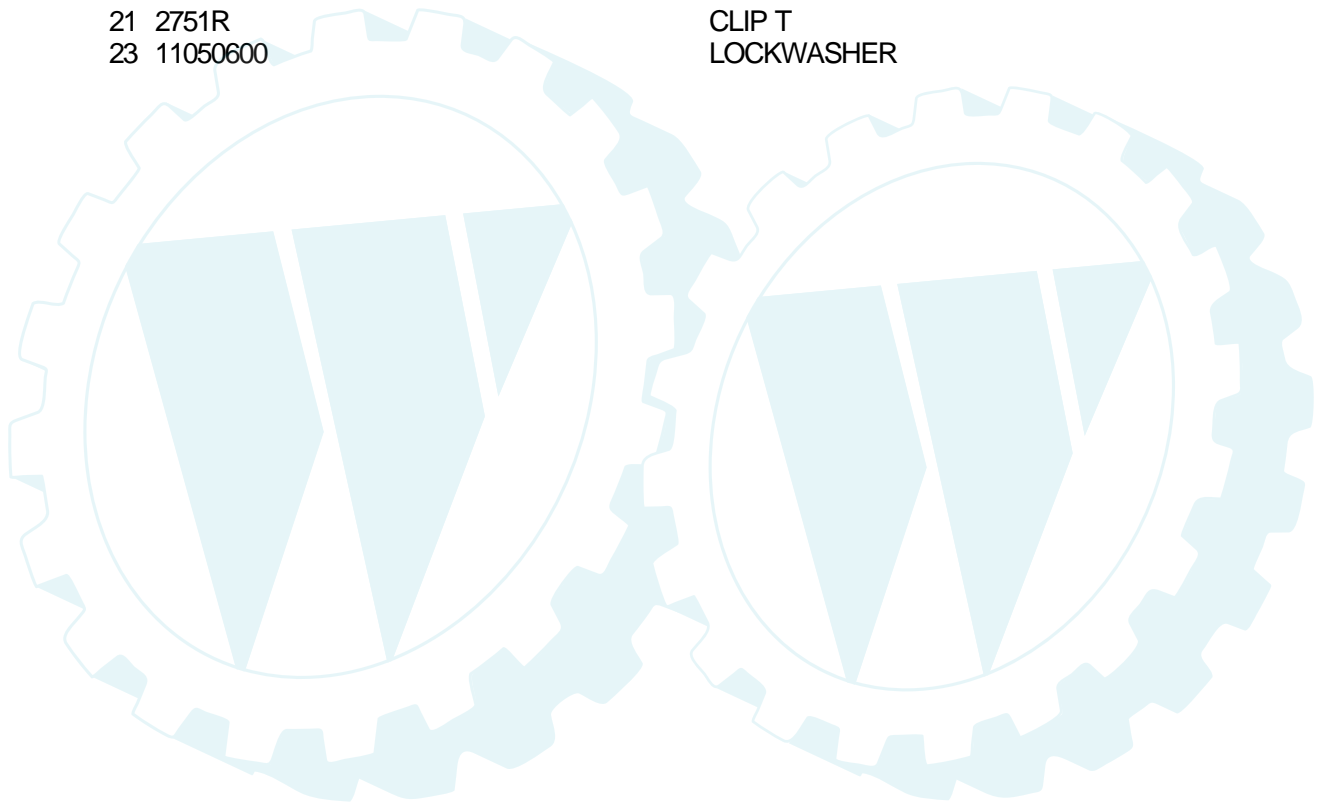
Ref #	Part Number	Qty	Description
			REFER TO IMAGE
1	73510400		NUT
2	108423X		CABLE ASM.
3	133909		SUB= 123899X
5	108236X		BRACKET LT
6	109553X		SWITCH INTERLOCKT
7	104445X		SWITCH-INTER. GT
8	17021008		SCREW
9	140401		KEY MLD GEN DELTA
10	141226		COVER KEY SWITCH
11	140400		SUB= 145774
12	140399		SUB= 163088
14	7192J		WIRE TIE
15	121305X		SWITCH SEAT
17	108824X		FUSE HYT
18	128353		CABLE ASSY
19	143132		HARNESS.IGN.FEND.
20	73350400		NUT
21	10090400		SUB= 10040400
22	74780408		BOLT
24	131563		SUB= 154336
25	138406		SUB= 146154
26	74760412		BOLT LT
27	19091016		WASHER
28	10040400		LOCKWASHER
29	121264X		"CAP,BATTERY "
30	73220400		SUB= 50675
31	4152J		HEADLAMP BULB
32	136850		"HARNESS,LIGHT SOC"
33	110712X		SWITCH LT
35	11050500		LOCKWASHER.5/16.E
36	11150400		LOCKWASHER
38	140660		ADAPTER.HARN.SERV
39	141735		BRACKET SWT CLUTC
55	17490508		SCREW LT
70	140413		HARNESS ENG DUAL

12 HP 38" TRACTOR -- MODEL NUMBER WP12R38C ENGINE / THROTTLE



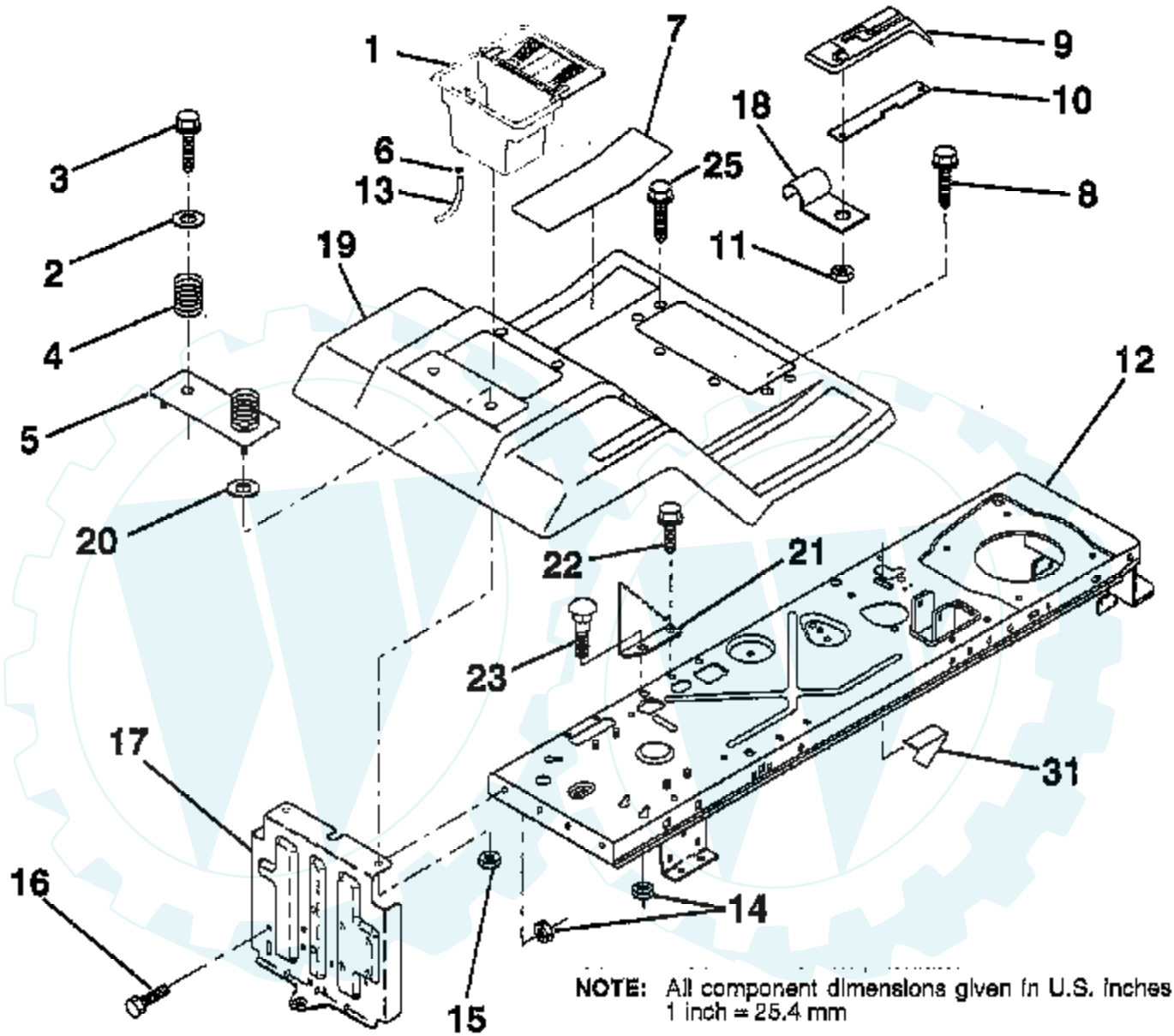
NOTE: All component dimensions given in U.S. inches
1 Inch = 25.4 mm

Ref #	Part Number	Qty	Description
1	17060408		SCREW.1/4-20X1/2
2	132752		"CONTROL,THROTTLE"
3			CHECK WITH SUPPLIER
4	71070512		SCREW
5	10040500		LOCKWASHER
6	125593X		SUB= 272293
8	121094X		BOLT T
9	19101216		WASHER
10	10040400		LOCKWASHER
11			CHECK WITH SUPPLIER
12	137437		MUFFLER
15	137180		SUB= 532137180
17	17490624		SCREW LT
20	73510600		NUT
21	2751R		CLIP T
23	11050600		LOCKWASHER



12 HP 38" TRACTOR - - MODEL NUMBER WP12R38C

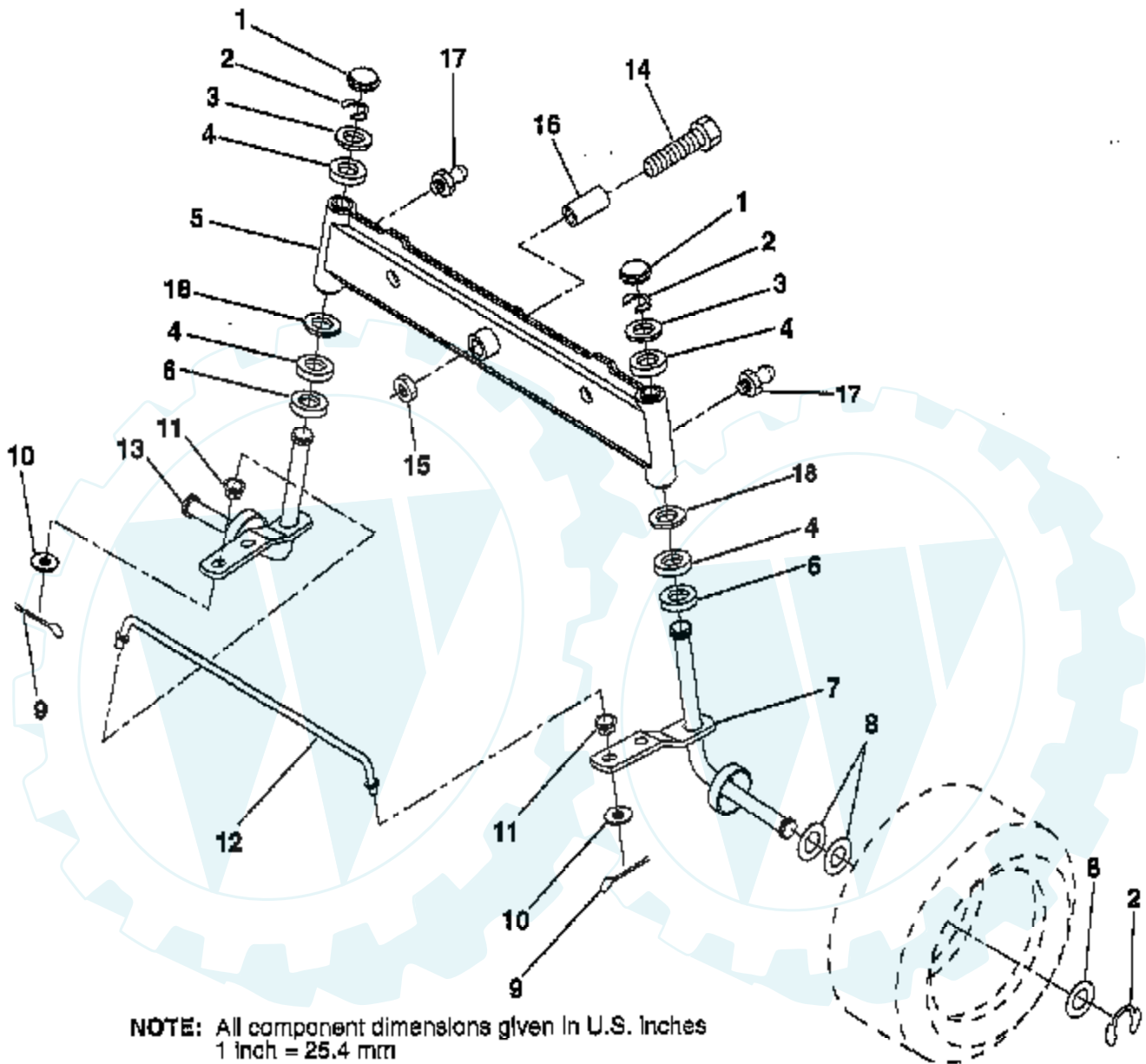
FENDER / CHASSIS



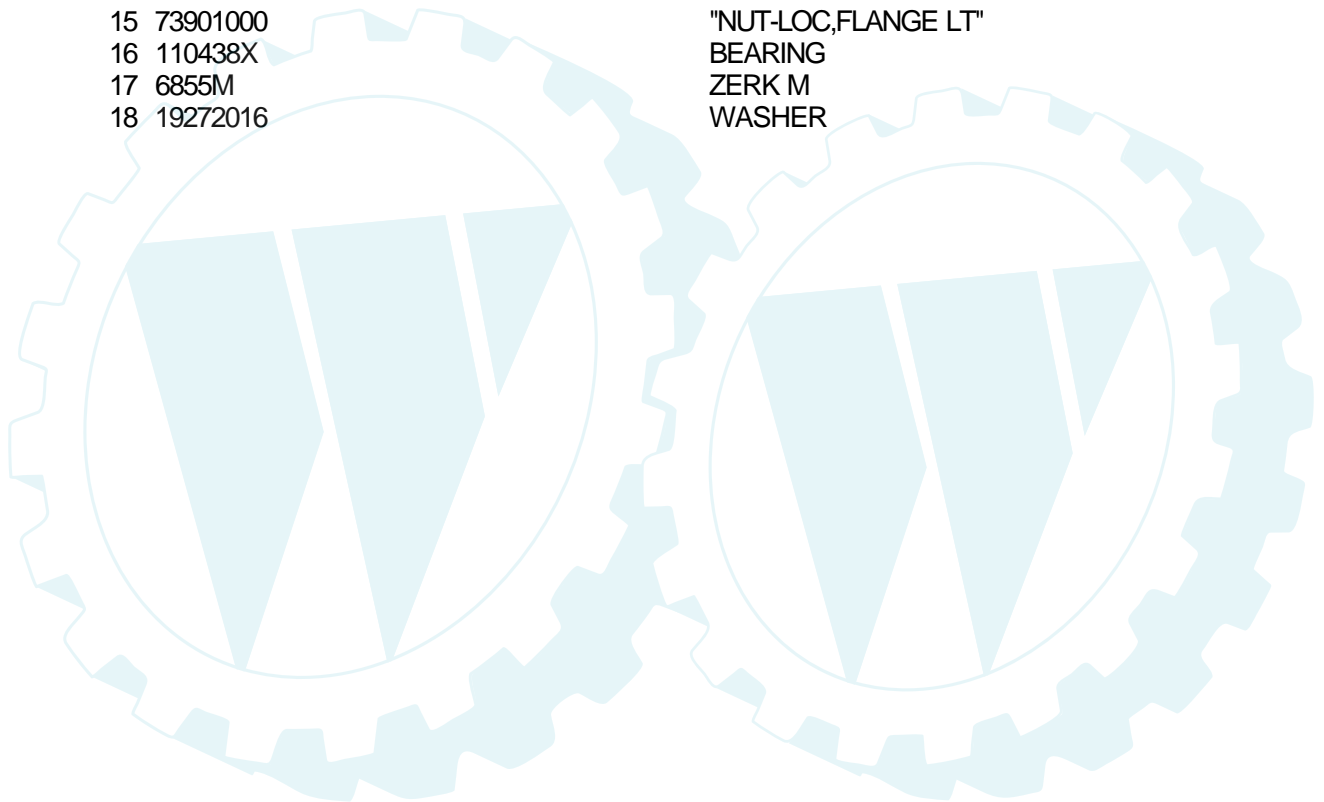
Ref #	Part Number	Qty	Description
1	129965		SUB= 156417
2	19132012		WASHER
3	17490612		SCREW
4	124181X		SPRING COMPRESSIO
5	127115X505		BTRY FENDER PLATE
6	109596X		HOSE CLAMP T
7	124144X		PAD FOOTREST
8	17490512		SCREW
9	126995X		SUB= 126995X428
10	139783		PLATE LOCK SHIFT
11	124346X		NUT
12	140784		SUB= 145424
13	109238X		TUBE T
14	73800500		NUT
15	73510400		NUT
16	74760512		BOLT
17	140782		DRAWBAR ASM LR
18	126470X		"CLIP,INSULATOR"
19	140956X505		FENDER/FOOT MS505
20	19091413		WASHER
21	140297		BRACKET STOP DEPT
22	17490508		SCREW LT
23	72110506		SUB= 72270506
25	17490516		SCREW TI
31	141736		SUB= 146613

12 HP 38" TRACTOR - - MODEL NUMBER WP12R38C

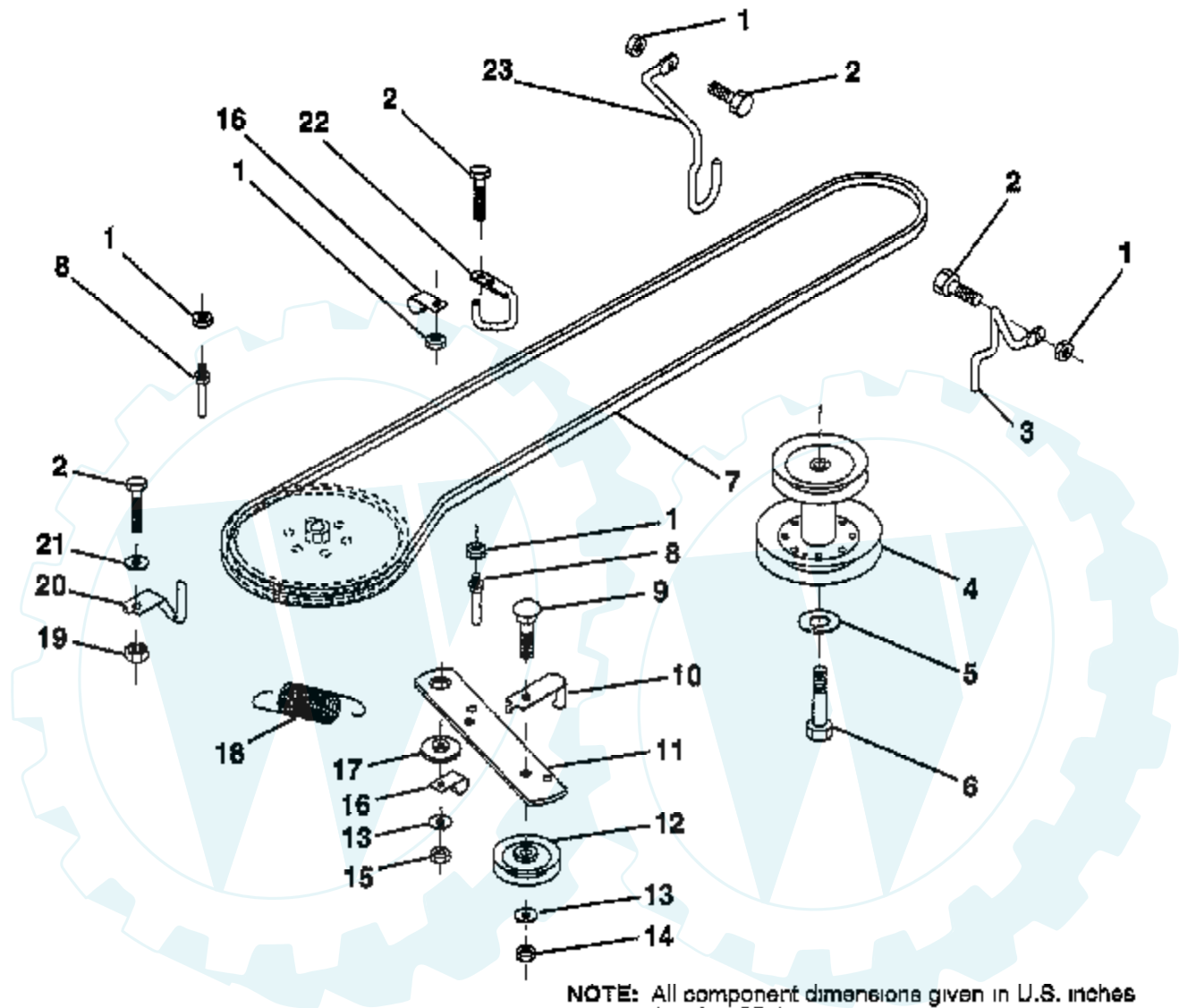
FRONT AXLE



Ref #	Part Number	Qty	Description
1	121232X		CAP
2	12000029		RING
3	121748X		WASHER
4	3366R		COL. SRTG. BEAR.
5	142033		AXLE ASM FRONT
6	6266H		WASHER .T
7	137062		SPINDLE ASM RH
8	121749X		WASHER
9	76020412		COTTER PIN
10	19131316		WASHER
11	126847X		BUSHING.DRAGLINK
12	130465		TIE ROD
13	137061		SPINDLE ASM LH
14	74011056		BOLT HEX 5/8-11
15	73901000		"NUT-LOC,FLANGE LT"
16	110438X		BEARING
17	6855M		ZERK M
18	19272016		WASHER

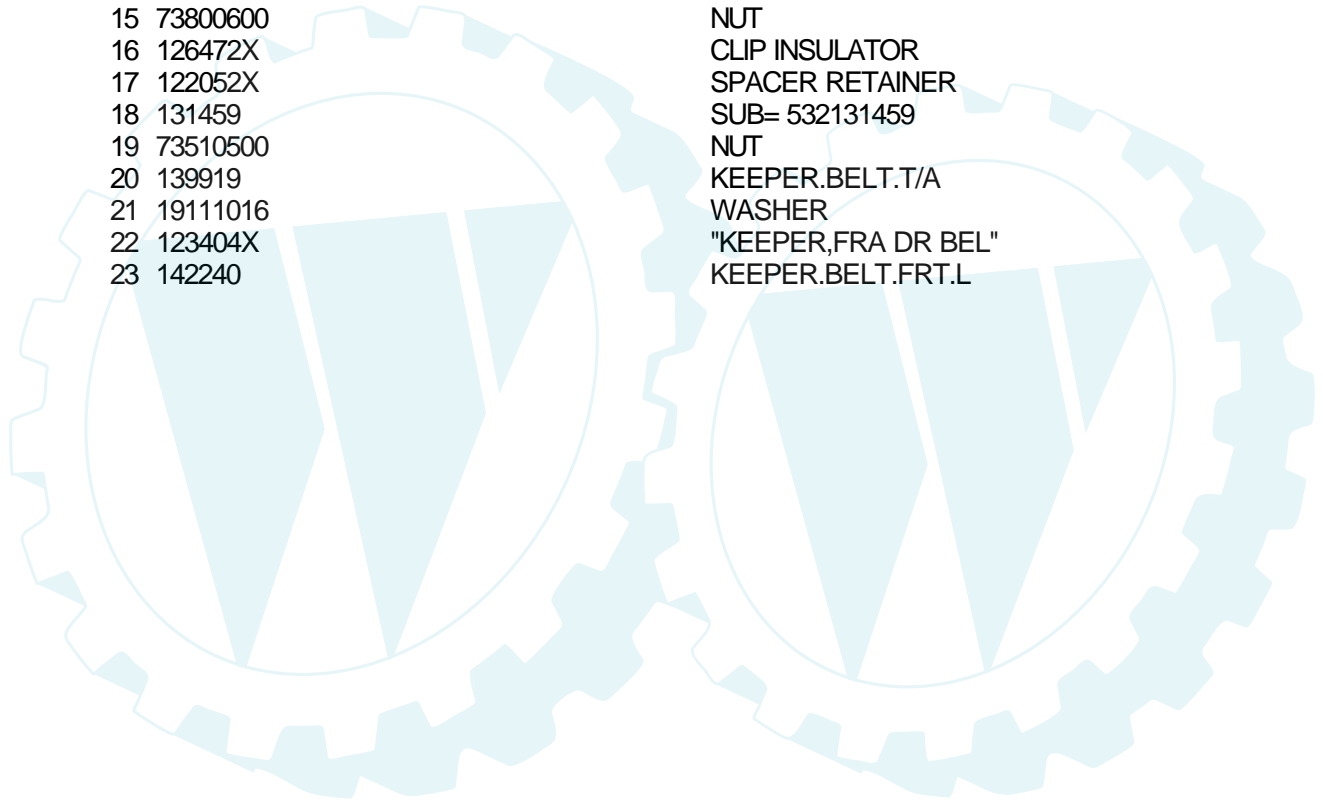


12 HP 38" TRACTOR -- MODEL NUMBER WP12R38C GROUND DRIVE



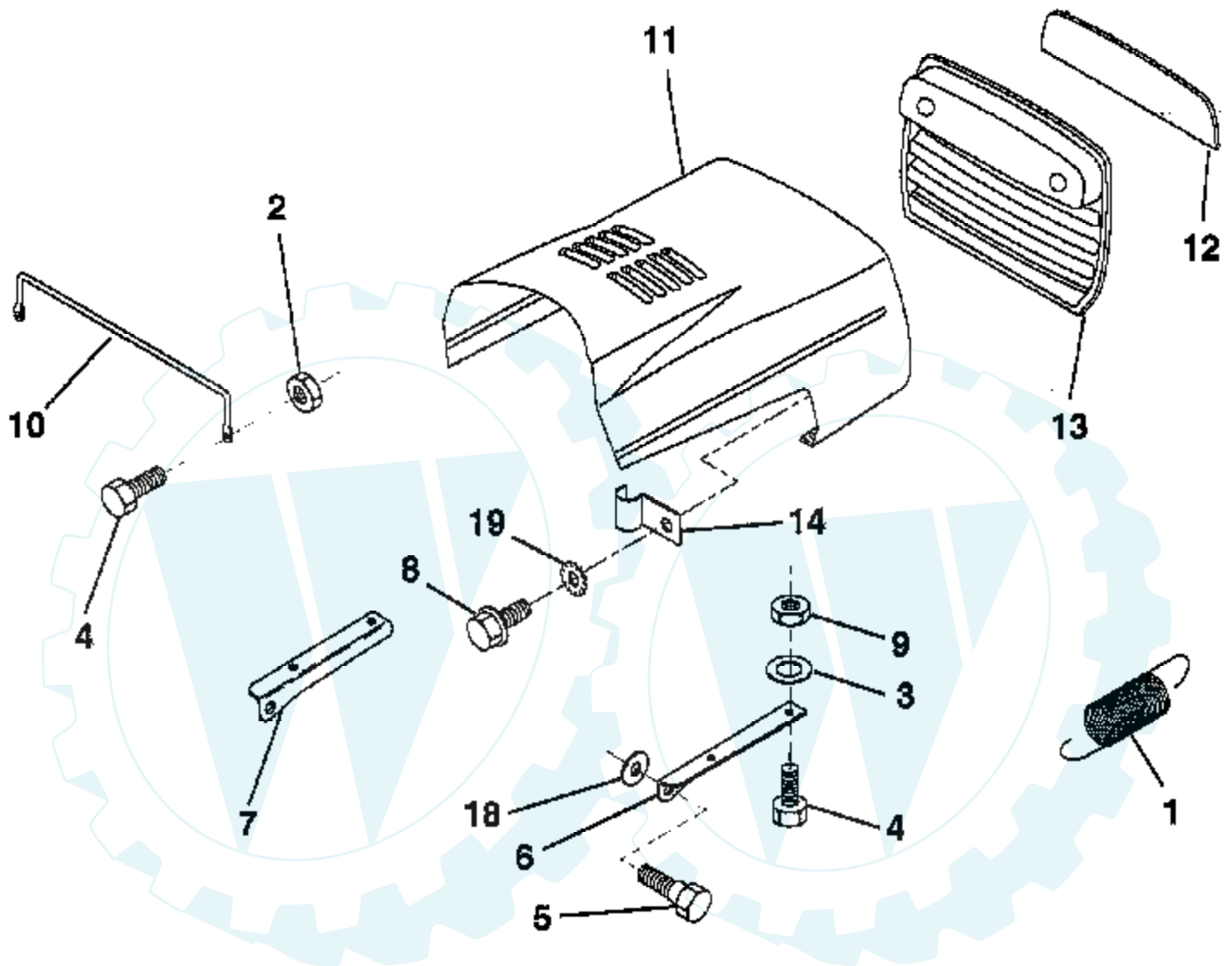
NOTE: All component dimensions given in U.S. inches
1 inch = 25.4 mm

Ref #	Part Number	Qty	Description
1	73800500		NUT
2	74760512		BOLT
3	141341		KEEPER.BELT.FRT.
4	138029		PULLEY.ENGINE.LR
5	10040700		LOCKWASHER
6	71170744		HEX BOLT
7	124525X		BELT
8	123405X		"KEEPER,DRIVE BELT"
9	72140612		BOLT
10	123396X		"KEEP,IDLER DR BEL"
11	140911		ARM IDLER CLUT GD
12	123674X		PULLEY.IDLER.FLAT
13	19131316		WASHER
14	73930600		LOCKNUT
15	73800600		NUT
16	126472X		CLIP INSULATOR
17	122052X		SPACER RETAINER
18	131459		SUB= 532131459
19	73510500		NUT
20	139919		KEEPER.BELT.T/A
21	19111016		WASHER
22	123404X		"KEEPER,FRA DR BEL"
23	142240		KEEPER.BELT.FRT.L



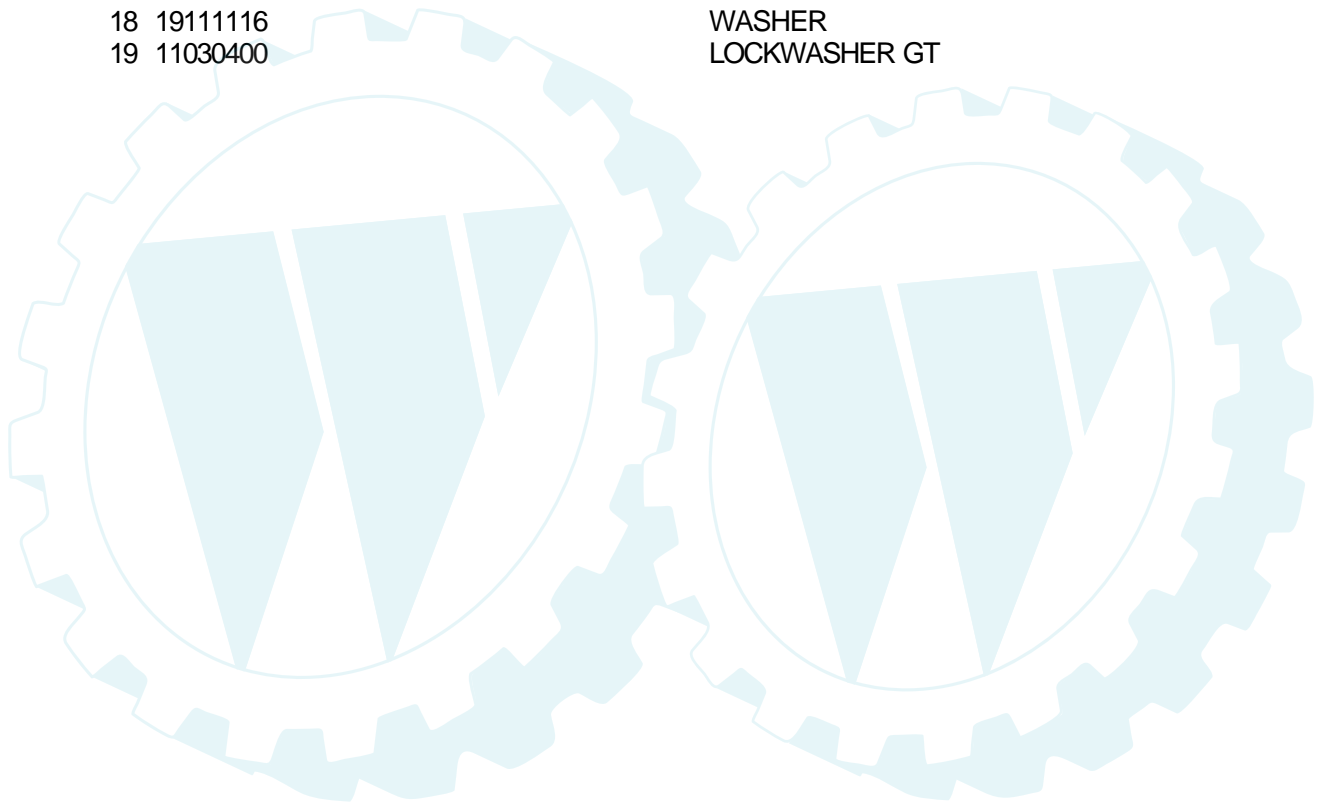
12 HP 38" TRACTOR - - MODEL NUMBER WP12R38C

HOOD



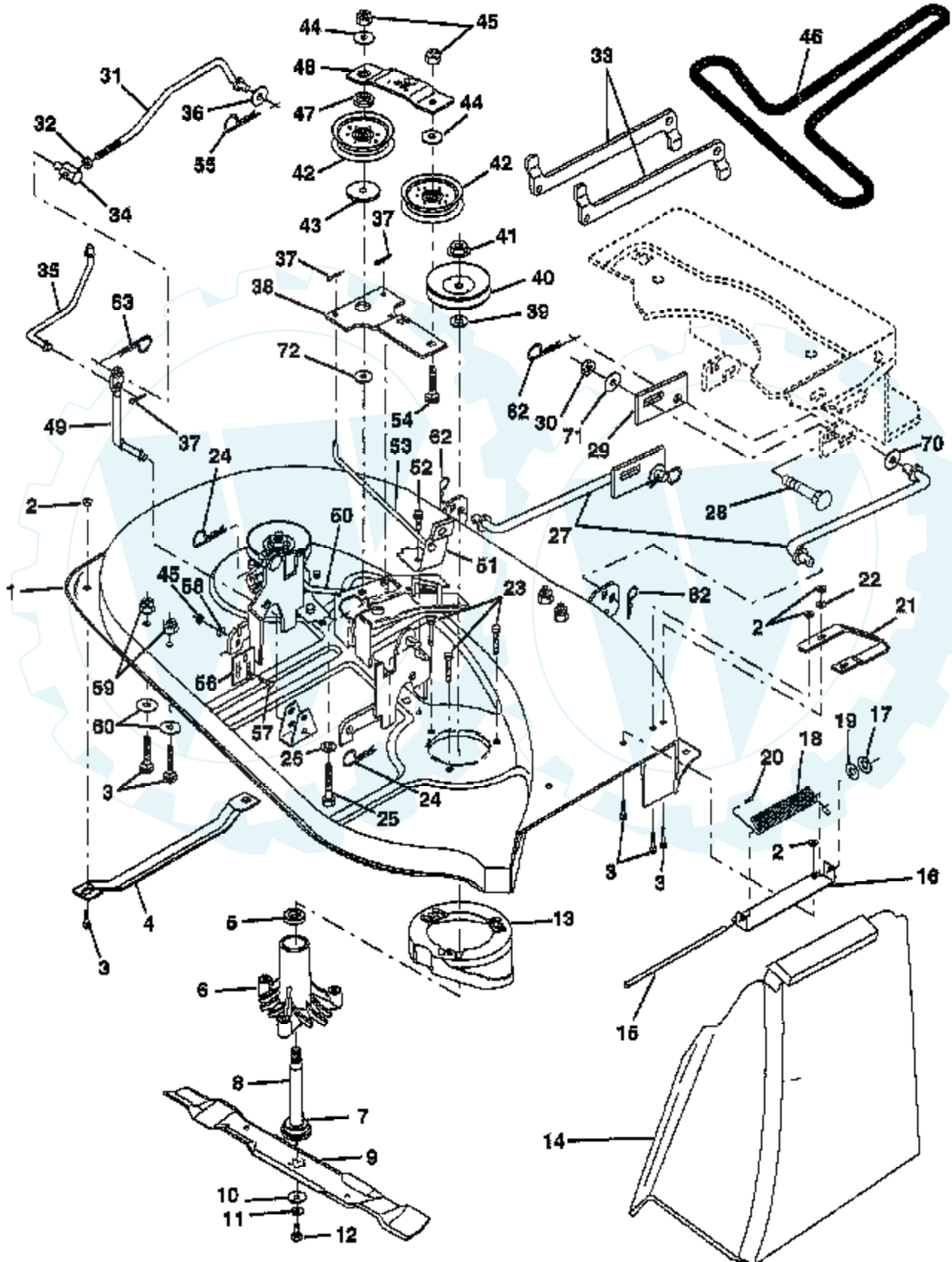
NOTE: All component dimensions given in U.S. inches
1 inch = 25.4 mm

Ref #	Part Number	Qty	Description
1	124657X		EXT SPRING
2	73510400		NUT
3	19091416		WASHER
4	74780412		SUB= 74780414
5	126675X		SUB= 139888
6	122549X		BRKT HOOD RH
7	122548X		BRKT HOOD LH
8	17521312		SCREW SLTD HXHD
9	73800400		NUT
10	123693X		"BRACE,HOOD"
11	132918X505		HOOD
12	122035X		LENS
13	127029X		GRILL
14	2751R		CLIP T
18	19111116		WASHER
19	11030400		LOCKWASHER GT



12 HP 38" TRACTOR - - MODEL NUMBER WP12R38C

MOWER DECK

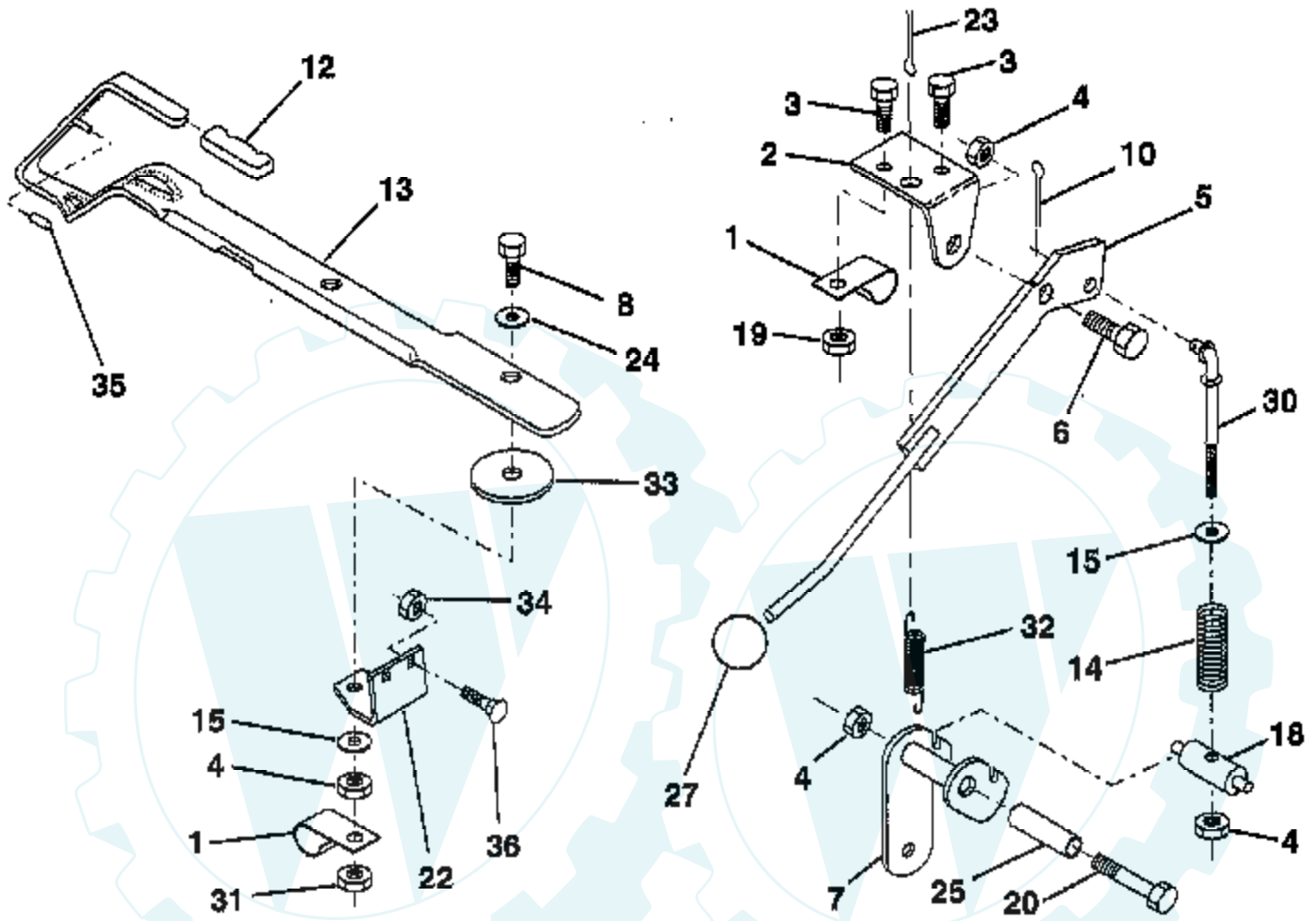


Ref #	Part Number	Qty	Description
1	142830		MOWER.WELD.LR.38
2	73800500		NUT
3	72140506		BOLT
4	7631J		RUNNER-LH M
5	110485X		BEARING
6	128774		HSG ASM MANDREL
7	129895		BEARING.BALL
8	137645		SUB= 137646
9	134148		"BLADE.38""V.MULCH"
10	140296		WASHER.HARD.BLADE
11	10030600		SUB= 10040600
12	850857		BLADE BOLT
13	136929		SUB= 140329
14	106736X		DEFLECTOR-SHLD T
15	106735X		ROD-HINGE T
16	137607		BRKT DEFLECTOR
17	110452X		NUT PUSH M
18	123713X		SPRING TORSION
19	19111016		WASHER
20	105304X		CAP-SLEEVE LT
21	128772		RUNNER RH
22	19111216		WASHER M
23	17580520		BOLT.5/16-18X1.25
24	4939M		SUB= 85902
25	74600636		BOLT
26	19131612		WASHER GT
27	139756		"LINK LIFT 38""
28	72140608		SUB= 72110608
29	139757		PLATE SLIDE LINK
30	73800600		NUT
31	140915		ROD.CLUTCH.PRIM
32	73350600		NUT
33	132559		SUSP ARM REAR
34	133604		TRUNNION
35	132554		CLUTCH ROD SEC
36	19131316		WASHER
37	76020312		SUB= 3145
38	133840		IDLER ARM ASSY
39	129963		WASHER
40	129206		SUB= 153532
41	137266		SUB= 139729
42	131494		FLAT IDLER PULLEY
43	122052X		SPACER RETAINER
44	19131612		WASHER GT
45	73800600		NUT
46	126520X		V BELT
47	133502		RETAINER SPACER
48	133503		IDLER ARM STIFF
49	133551		PIVOT ROD
50	131289		BRAKE ROD LH
51	130840		BRAKE ASM
52	17490512		SCREW
53	131288		BRAKE ROD RH
54	72110614		BOLT
55	4921H		SPRING.RETAINER
56	136782		PLATE ADJ LINK LH
57	72140608		SUB= 72110608
58	19131212		WASHER T

Ref #	Part Number	Qty	Description
59	73800500		NUT
60	19111112		WASHER.34X.68X16
62	3146R		RETAINER.SPRING
63	4497H		RETAINER M
70	19162016		WASHER 1/2X1 1/4
71	19131610		WASHER PM
72	133943		HARDENED WASHER
	142862		"DECK.SERVICE.38""
	130794		MANDREL ASM



12 HP TRACTOR 38" - - MODEL NUMBER WP12R38C MOWER LIFT LEVER

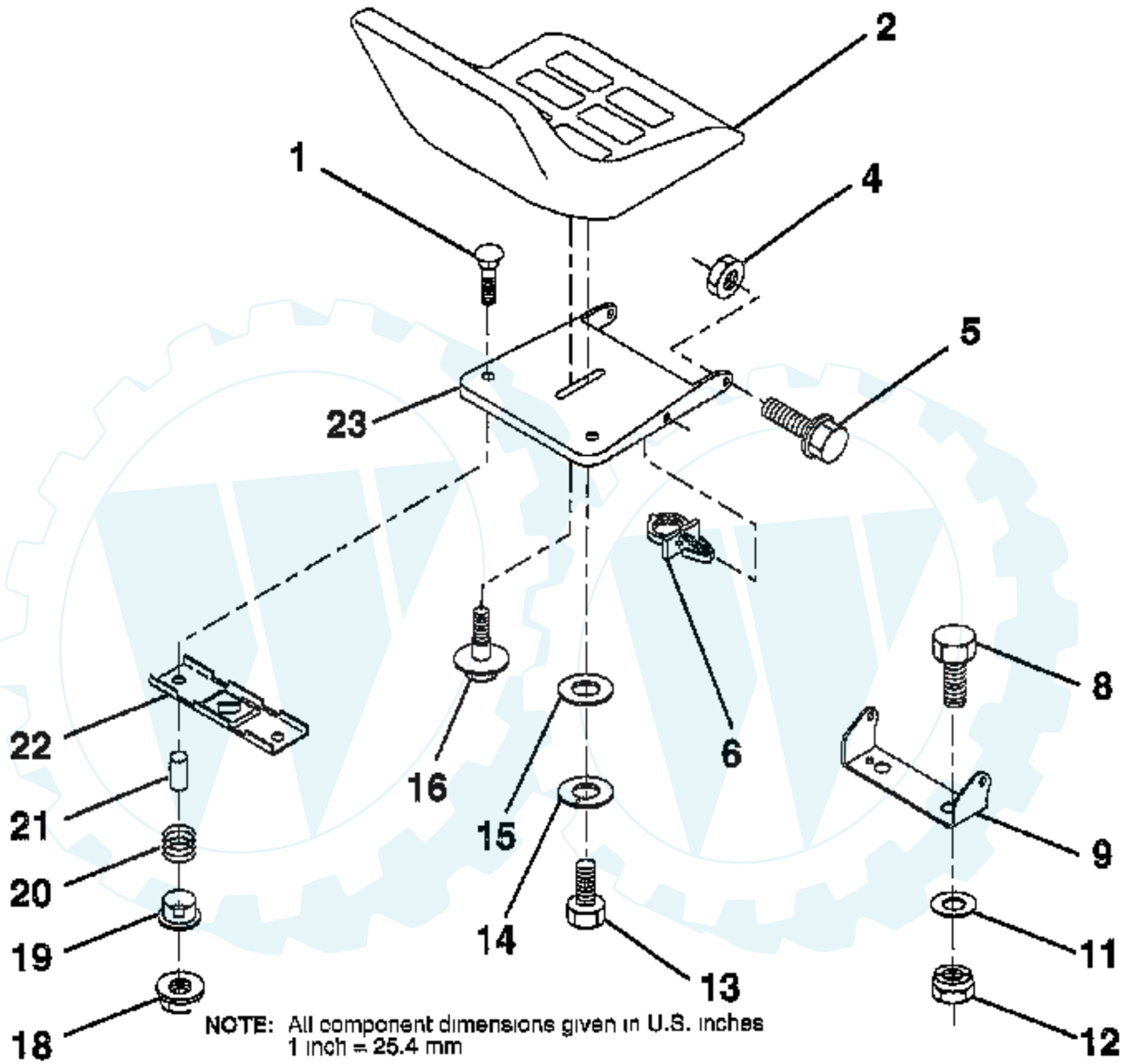


NOTE: All component dimensions given in U.S. Inches
1 inch = 25.4 mm

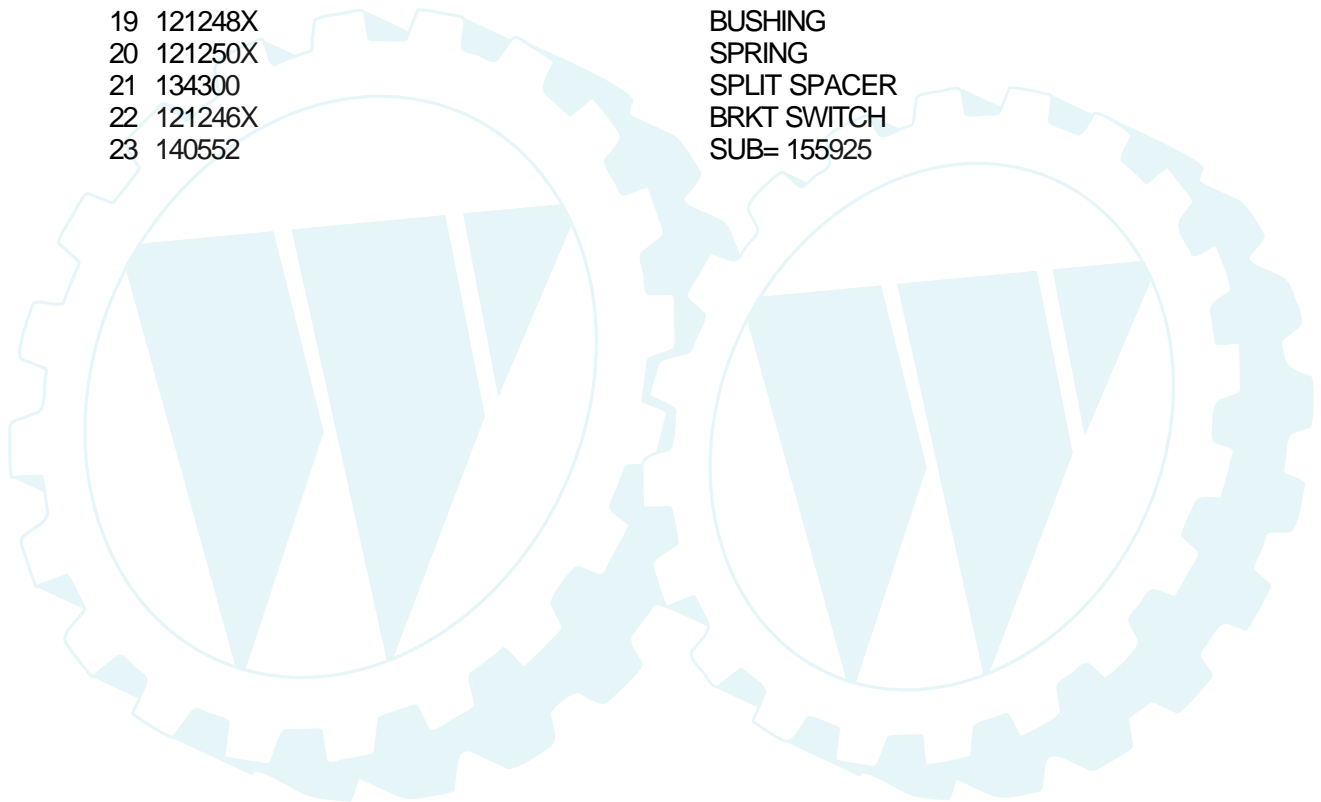
Ref #	Part Number	Qty	Description
1	126470X		"CLIP,INSULATOR"
2	122018X		BRKT CLUTCH
3	74780408		BOLT
4	73800600		NUT
5	132552		CLUTCH LEVER AS
6	106451X		"BOLT, SHOULDER LT"
7	141435		ARM.CLUTCH.ASM
8	74930624		BOLT
10	76020412		COTTER PIN
12	122027X		GRIP HANDLE
13	136658		LEVER LIFT LR
14	133939		COMP CLUTCH SPRNG
15	19131616		WASHER HYT
18	135107		TRUNNION
19	73680400		SUB= 73690400
20	74760644		BOLT
22	132561		LIFT LEVER BRKT
23	76020312		SUB= 3145
24	7672J		WASHER
25	121933X		TUBE SPACER
27	121466X		KNOB
30	135039		ROD TENSION CLUTC
31	73930600		LOCKNUT
32	133435		SPRING EXT
33	62333		WASHER
34	73800500		NUT
35	133603		VINYL CAP RED
36	72140506		BOLT

12 HP 38" TRACTOR - - MODEL NUMBER WP12R38C

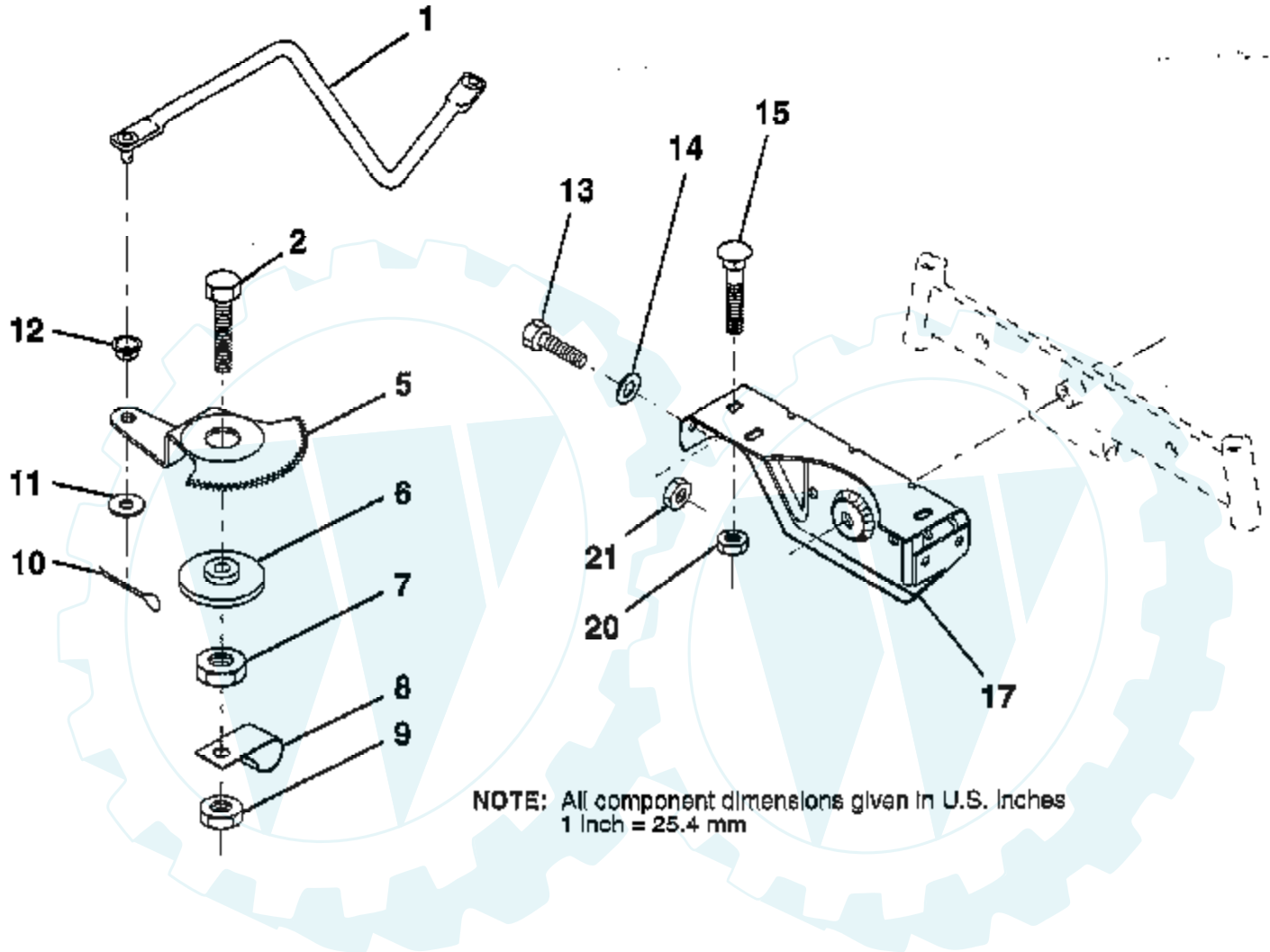
SEAT



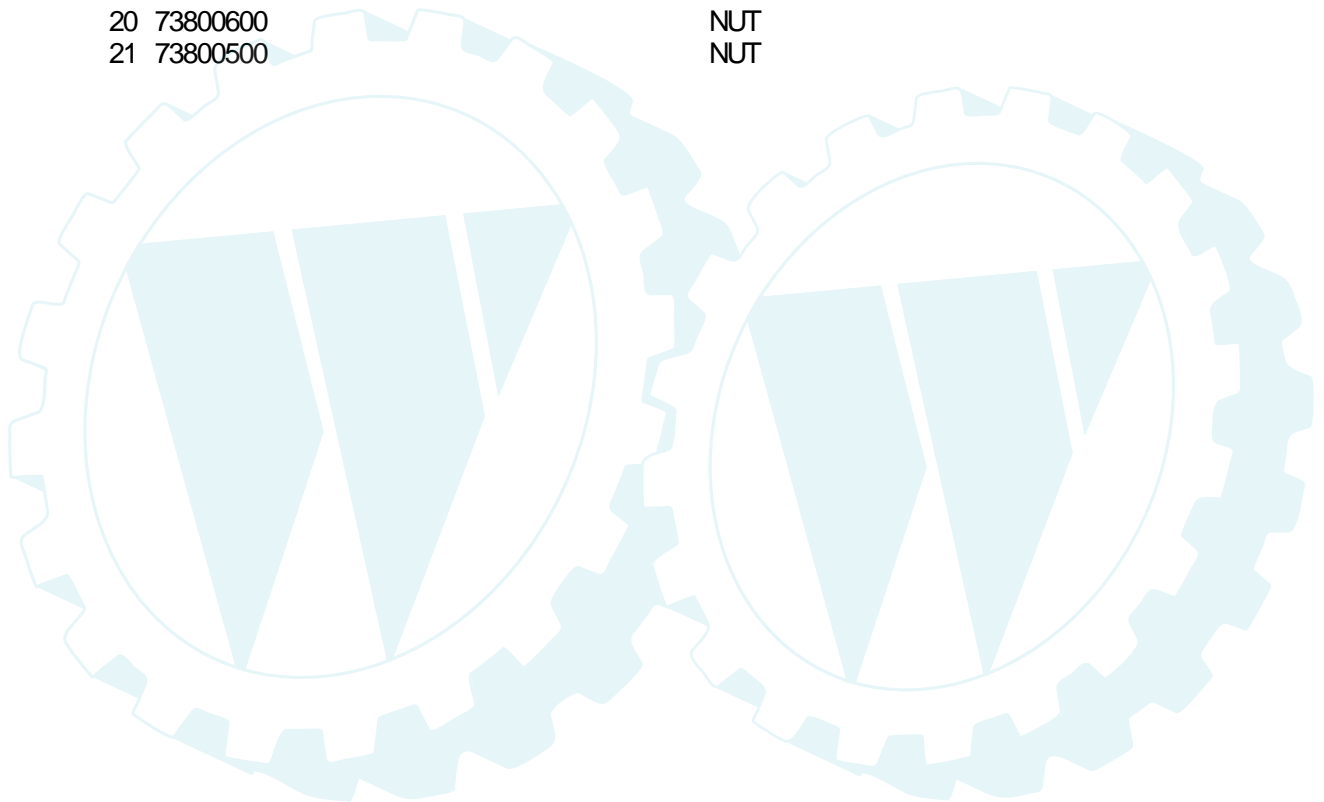
Ref #	Part Number	Qty	Description
1	72050411		SUB= 872050411
2	127427		SUB= 140119
4	73800500		NUT
5	139888		BOLT.SHLD.5/16-18
6	140407		CLIP PUSH - IN
8	74760616		BOLT
9	140551		BRACKET PVT SEAT
11	19133210		WASHER
12	73800600		NUT
13	74780814		BOLT
14	10040800		LOCKWASHER
15	19171912		WASHER
16	127018X		"BOLT,SHOULDER"
18	123976X		SUB= 73900400
19	121248X		BUSHING
20	121250X		SPRING
21	134300		SPLIT SPACER
22	121246X		BRKT SWITCH
23	140552		SUB= 155925



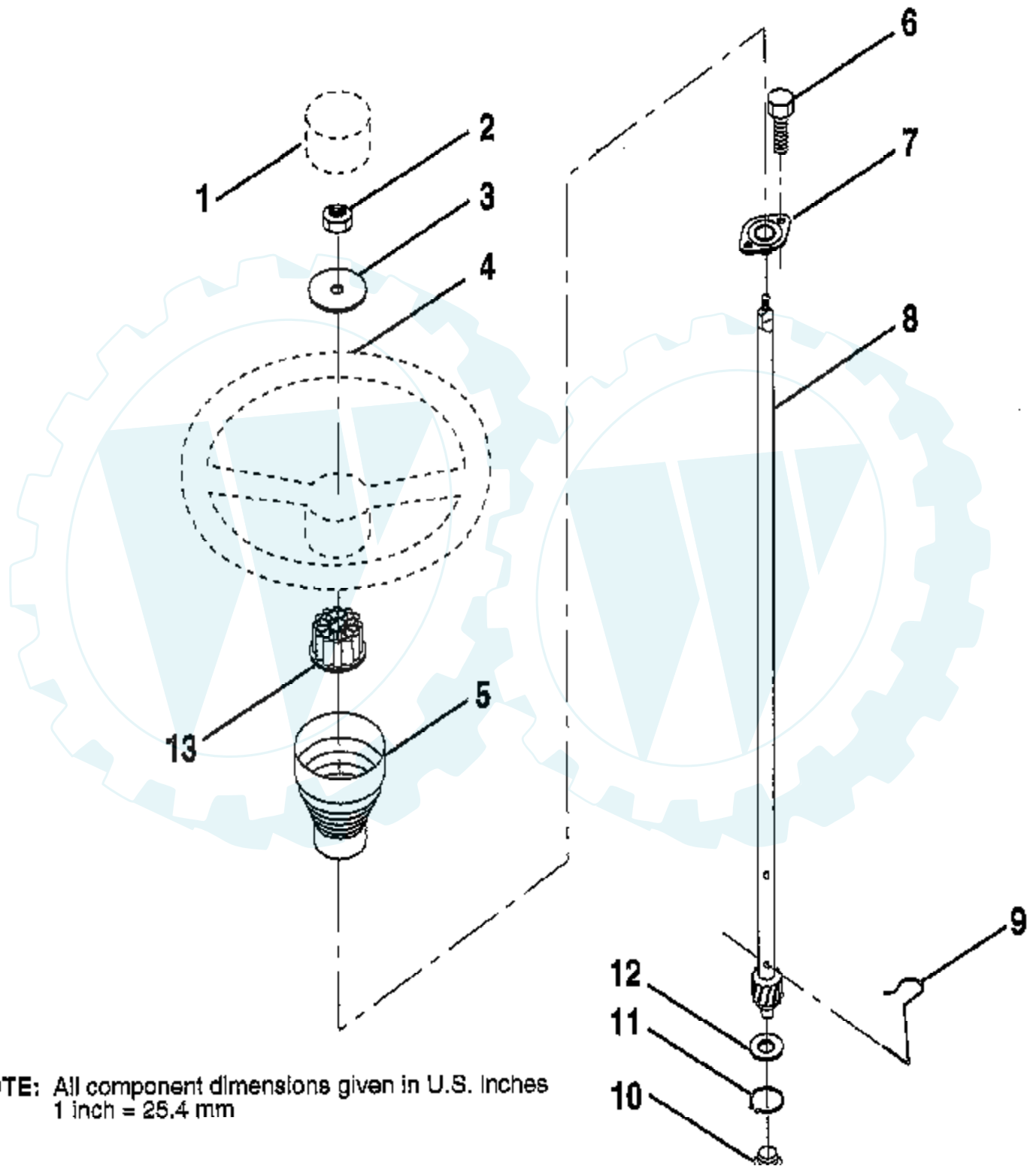
12 HP 38" TRACTOR - - MODEL NUMBER WP12R38C SECTOR GEAR / AXLE SUPPORT



Ref #	Part Number	Qty	Description
1	132566		DRAG LINK
2	74780828		"BOLT,HEX"
5	121926X		GEAR SECTOR
6	121927X		BUSHING
7	73030800		NUT
8	126472X		CLIP INSULATOR
9	73680800		NUT LTV
10	76020412		COTTER PIN
11	19131316		WASHER
12	126847X		BUSHING.DRAGLINK
13	74760512		BOLT
14	19111416		WASHER
15	72110606		BOLT
17	137096		SUPT AXLE FRONT
20	73800600		NUT
21	73800500		NUT



12 HP 38" TRACTOR - - MODEL NUMBER WP12R38C STEERING WHEEL



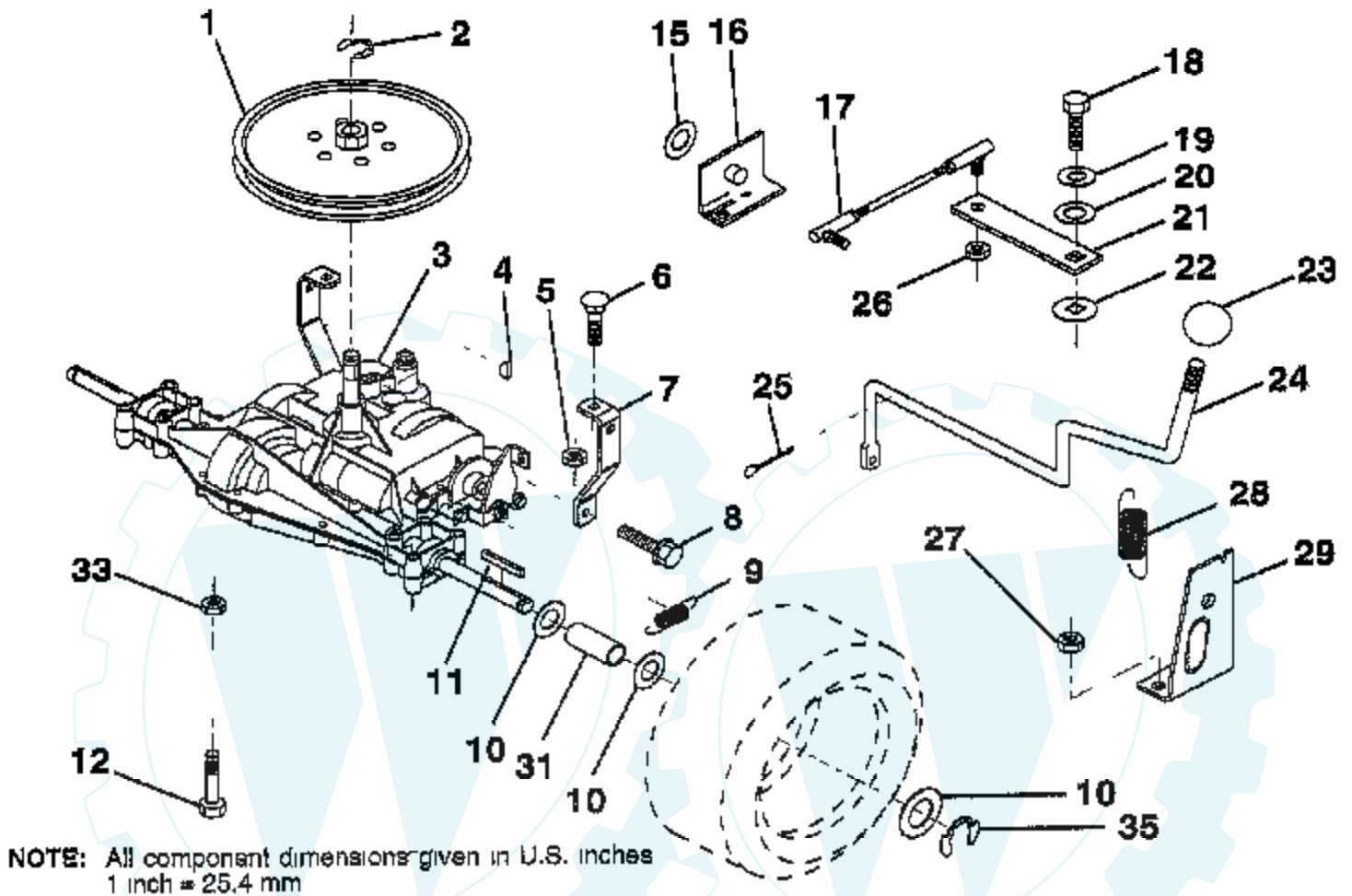
NOTE: All component dimensions given in U.S. Inches
1 inch = 25.4 mm

Ref #	Part Number	Qty	Description
1	133742		ST WHL INSERT CAP
2	7810H		GRIPCO NUT
3	19133808		WASHER T
4	133741		SUB= 150547
5	121897X		SLEEVE STEERING
6	17431008		SUB= 98000165
7	102803X		SUB= 918102803X
8	123651X		SUB= 148966
9	124210X		STEERING CLIP
10	123438X		BUSHING STEER LWR
11	12000045		RING
12	19211616		WASHER LT
13	104820X		ADAPTER-WHEEL LT



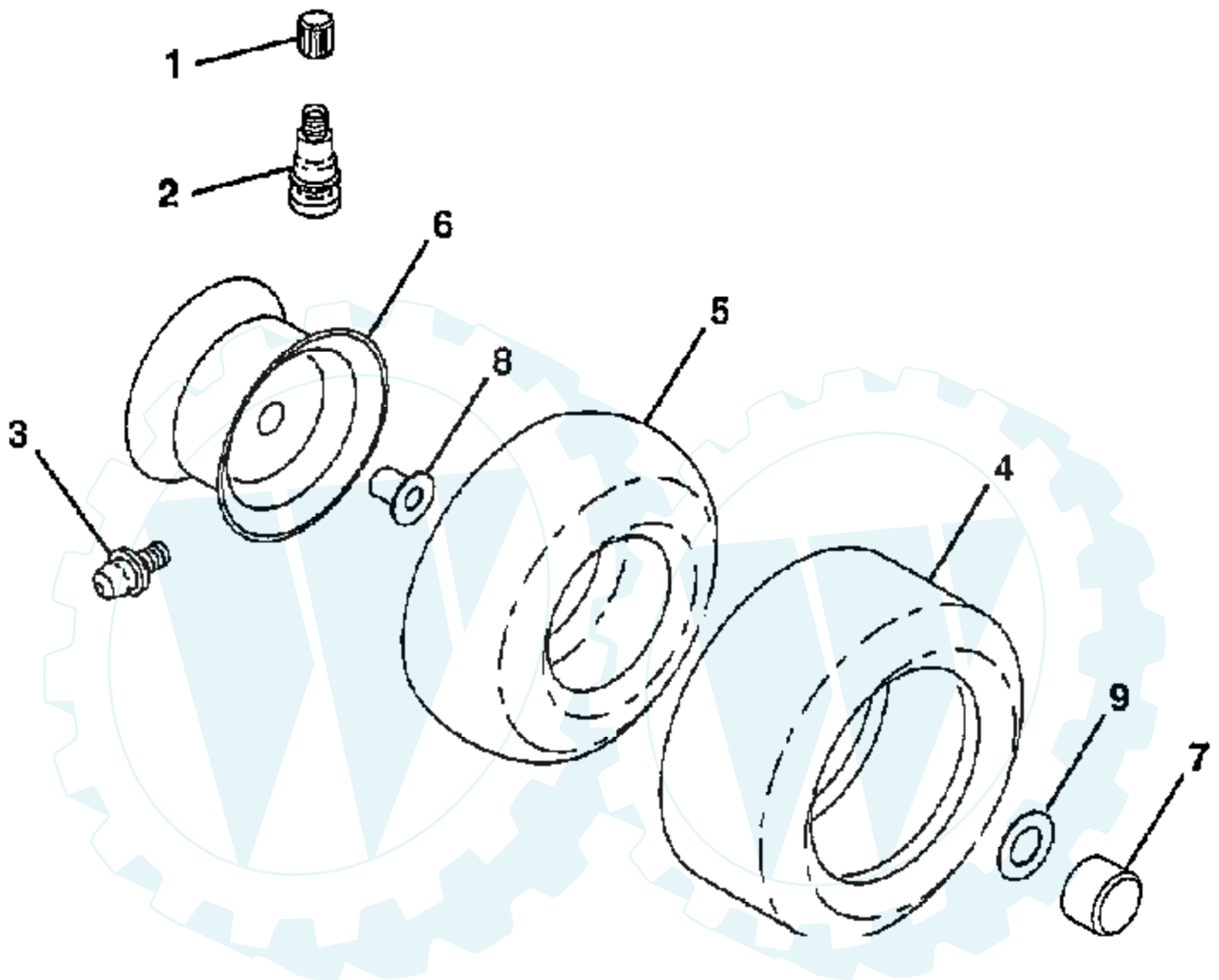
12 HP TRACTOR 38 " - - MODEL NUMBER WP12R38C

TRANSAXLE



Ref #	Part Number	Qty	Description
1	123385X		PULLEY
2	12000028		SUB= 2267J
3			CHECK WITH SUPPLIER
3	142603		SUB= 160664
4	2228M		SUB= 2228M1
5	73800500		NUT
6	72140506		BOLT
7	123378X		"STRAP,TORQUE"
8	17490512		SCREW
9	110422X		SUB= 146682
10	121749X		WASHER
11	123583X		SQUARE KEY
12	74760644		BOLT
15	19171616		WASHER
16	124600X		"SUPT,HDLE SHT LH"
17	123632X		"LINK,SHIFT"
18	71040412		SUB= 74550412
19	10040400		LOCKWASHER
20	19091210		WASHER LT
21	123539X		"ARM,SHIFT"
22	105701X		WASH-SHFT PLT LT
23	121274X		KNOB.DUCKHEAD.1/2
24	128215		"ROD,SHIFT"
25	76020416		PIN COTTER 1/8
26	73810500		NUT.LOCK.5/16-24
27	73510500		NUT
28	128085		"SPRING,EXT"
29	128084		"SUPT,HDLE RH"
31	109502X		SPACER LT
33	73800600		NUT
35	12000001		E-RING LT

WHEELS & TIRES



NOTE: All component dimensions given in U.S. inches
1 inch = 25.4 mm

Ref #	Part Number	Qty	Description
1	59192		VALVE CAP
2	65139		VALVE STEM LT
3	278H		FITTING LT
4	137422		SUB= 122073X
4	132703		SUB= 532132703
5	59904		TUBE.5.3/4.5/6
5	8134H		TUBE.16X6.5/7.5-8
6	122394X417		SUB= 137237X417
6	140325X417		"RIM REAR 8""
7	104757X		HUB CAP
8	9040H		"FLANGE, BEARING"
9	121748X		WASHER

