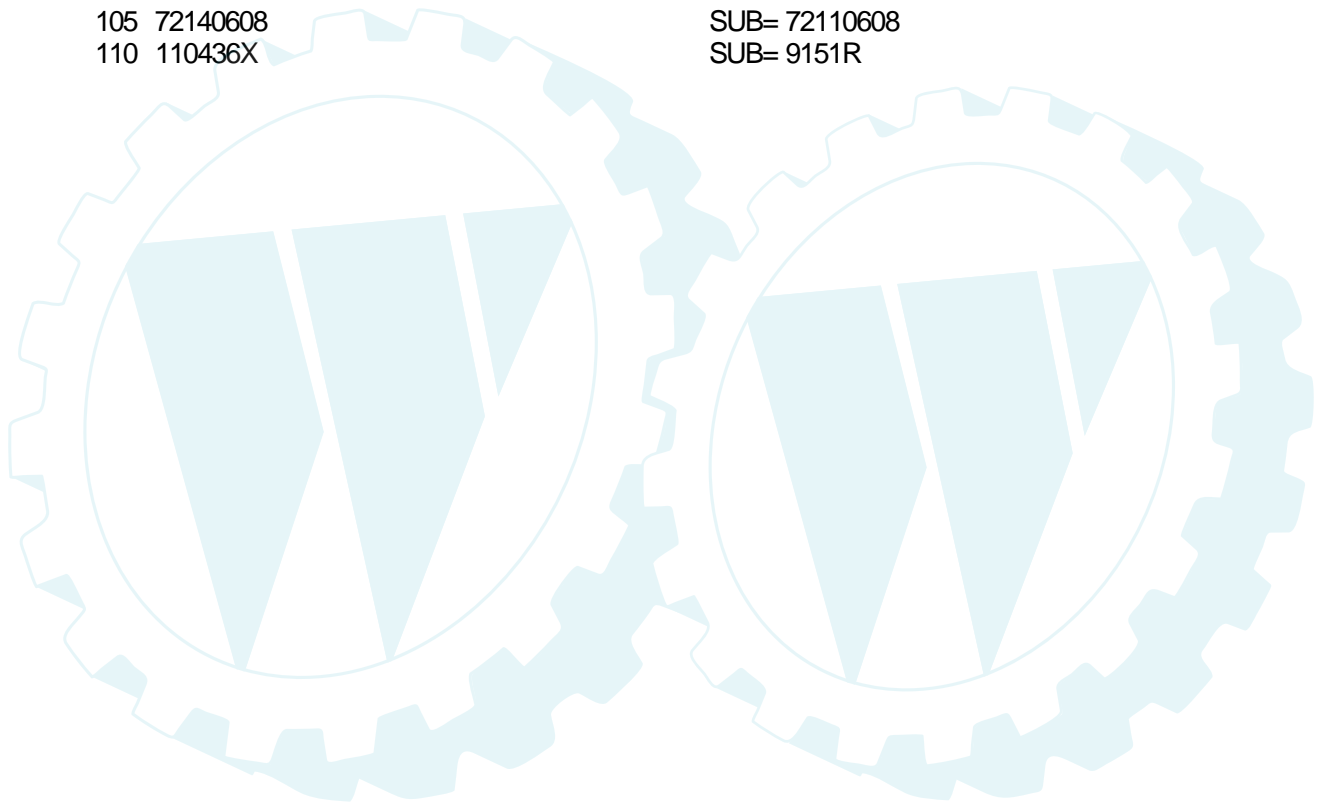


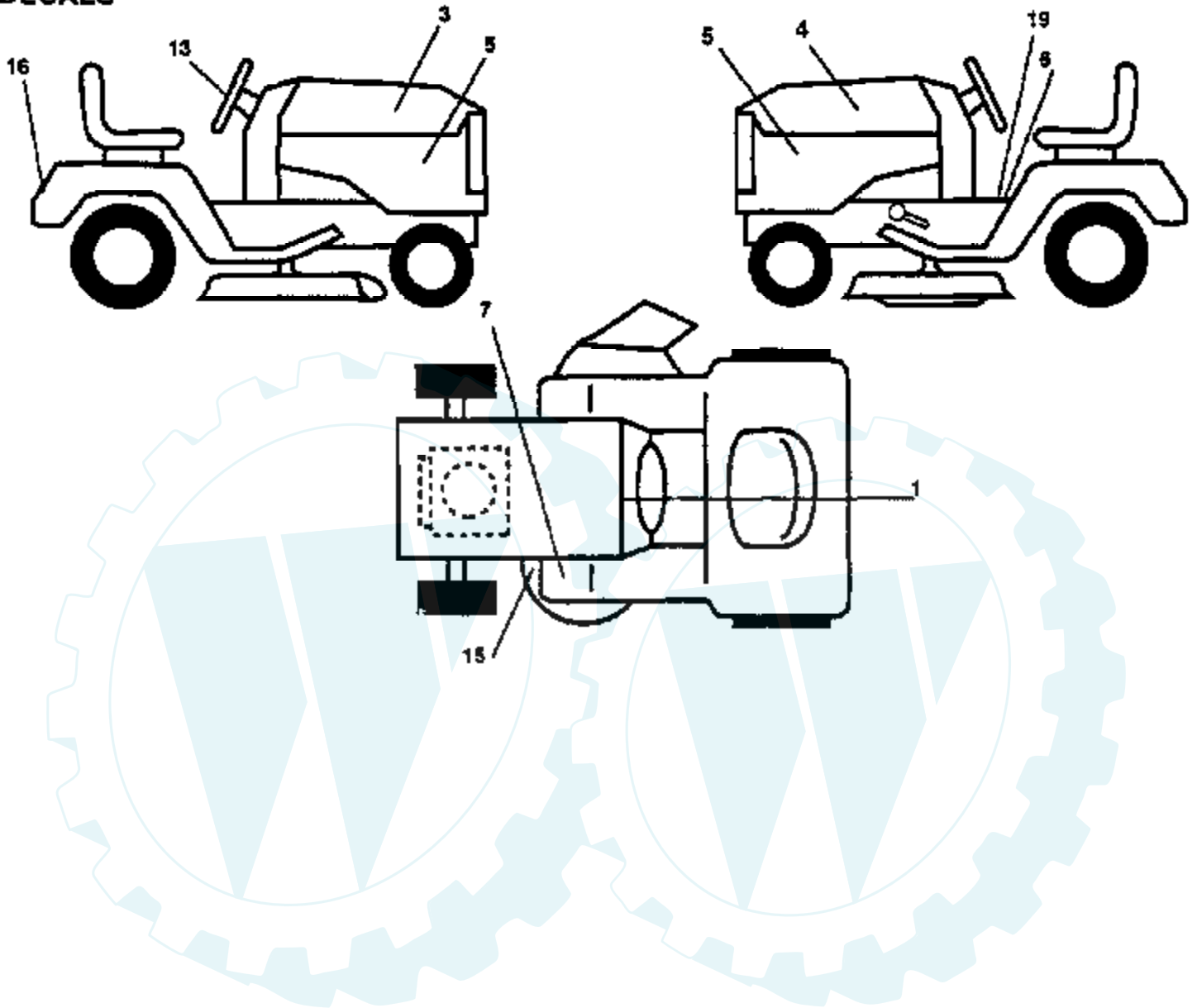
| Ref # | Part Number | Qty | Description |
|-------|-------------|-----|----------------------|
| 1 | 140341 | | SUB= 145501 |
| 2 | 140356 | | SUB= 145009 |
| 4 | 10040400 | | LOCKWASHER |
| 6 | 131343X043 | | SADDLE SLKSCR 6SP |
| 7 | 17490612 | | SCREW |
| 9 | 140398 | | DASHBOARD BLACK |
| 10 | 5479J | | PLUG BUTTON T |
| 11 | 136967 | | PANEL.DASH.LH |
| 12 | 121794X | | COVER ACCESS |
| 13 | 136970 | | PANEL.DASH.RH |
| 14 | 17490612 | | SCREW |
| 15 | 140133X011 | | PLATE.DASH.SILKSC |
| 16 | 104783X | | DASH ASSY LT |
| 17 | 132635X505 | | SUB= 150301X505 |
| 18 | 74180512 | | SCREW |
| 19 | 19111116 | | WASHER |
| 20 | 73510500 | | NUT |
| 21 | 74780620 | | BOLT |
| 22 | 19131312 | | WASHER |
| 23 | 73800600 | | NUT |
| 24 | 124130X | | SUPPORT ASSY |
| 26 | 73220400 | | SUB= 50675 |
| 28 | 131716 | | SUB= 532131716 |
| 30 | 109872X505 | | FENDER |
| 31 | 136619 | | BRKT FENDER |
| 32 | 17490612 | | SCREW |
| 33 | 105464X505 | | SUB= 145243X505 |
| 34 | 105465X505 | | SUB= 145244X505 |
| 35 | 72110606 | | BOLT |
| 36 | 73800600 | | NUT |
| 37 | 133671 | | FOOTREST PAD |
| 38 | 105419X505 | | GRILL STRAP |
| 41 | 106784X | | SUB= 155013 |
| 42 | 104618X | | SUB= 155013 |
| 43 | 73510400 | | NUT |
| 44 | 109808X | | HOOD LATCH T |
| 45 | 74191008 | | SCREW |
| 46 | 10071000 | | LOCKWASHER |
| 47 | 2029J | | WELDNUT |
| 48 | 123481X | | SUB= 7605J |
| 49 | 73680400 | | SUB= 73690400 |
| 52 | 8022J | | PLUG-DASH T |
| 53 | 137655X505 | | PANEL.SIDE.RH |
| 54 | 132637X505 | | "PANEL,SIDE LH" |
| 55 | 19091216 | | WASHER PM |
| 56 | 73220400 | | SUB= 50675 |
| 57 | 7206J | | SPACER LT |
| 58 | 19070818 | | WASHER |
| 59 | 73731000 | | NUT |
| 60 | 74981020 | | SCREW |
| 66 | 123198X | | SUB= 146525 |
| 71 | 124392X417 | | SUB= 147717 |
| 72 | 106395X | | LENS LT |
| 73 | 17211010 | | SCREW LT |
| 74 | 140181 | | PLATE.SUPT.BATTER |
| 75 | 104755X | | "" J "" FASTENER LT" |
| 76 | 17490512 | | SCREW |
| 77 | 19131210 | | WASHER |

| Ref # | Part Number | Qty | Description |
|-------|-------------|-----|----------------|
| 78 | 132644 | | SUB= 532132644 |
| 79 | 17490412 | | SCREW HEX CRT |
| 80 | 19091016 | | WASHER |
| 85 | 74760532 | | BOLT |
| 86 | 121236X | | SPACER |
| 87 | 73800500 | | NUT |
| 91 | 74780616 | | BOLT |
| 94 | 74780616 | | BOLT |
| 95 | 19131312 | | WASHER |
| 96 | 73800600 | | NUT |
| 100 | 74780616 | | BOLT |
| 101 | 2751R | | CLIP T |
| 103 | 139886 | | BRACKET ASM LH |
| 104 | 139887 | | BRACKET ASM RH |
| 105 | 72140608 | | SUB= 72110608 |
| 110 | 110436X | | SUB= 9151R |

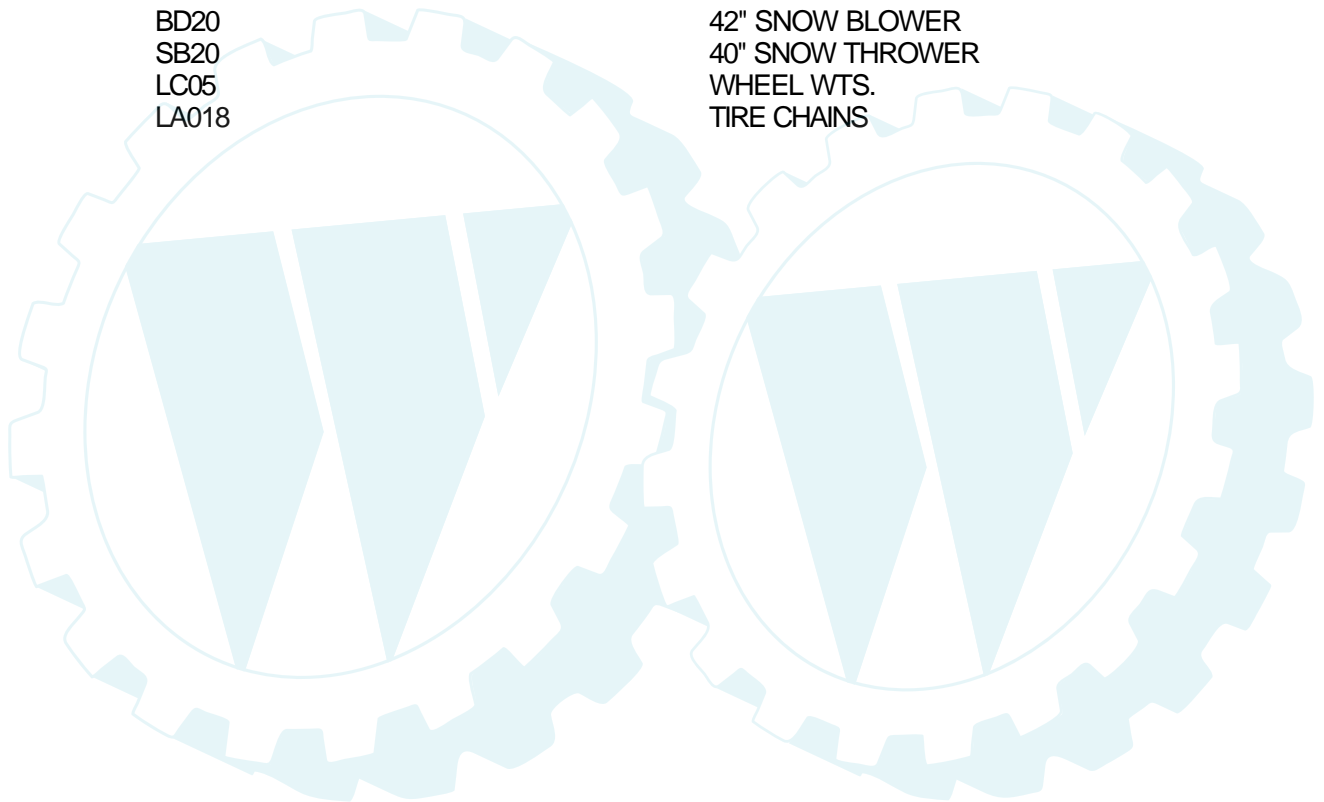


12.5 HP 42" TRACTOR - - MODEL NUMBER WP12542C

DECALS

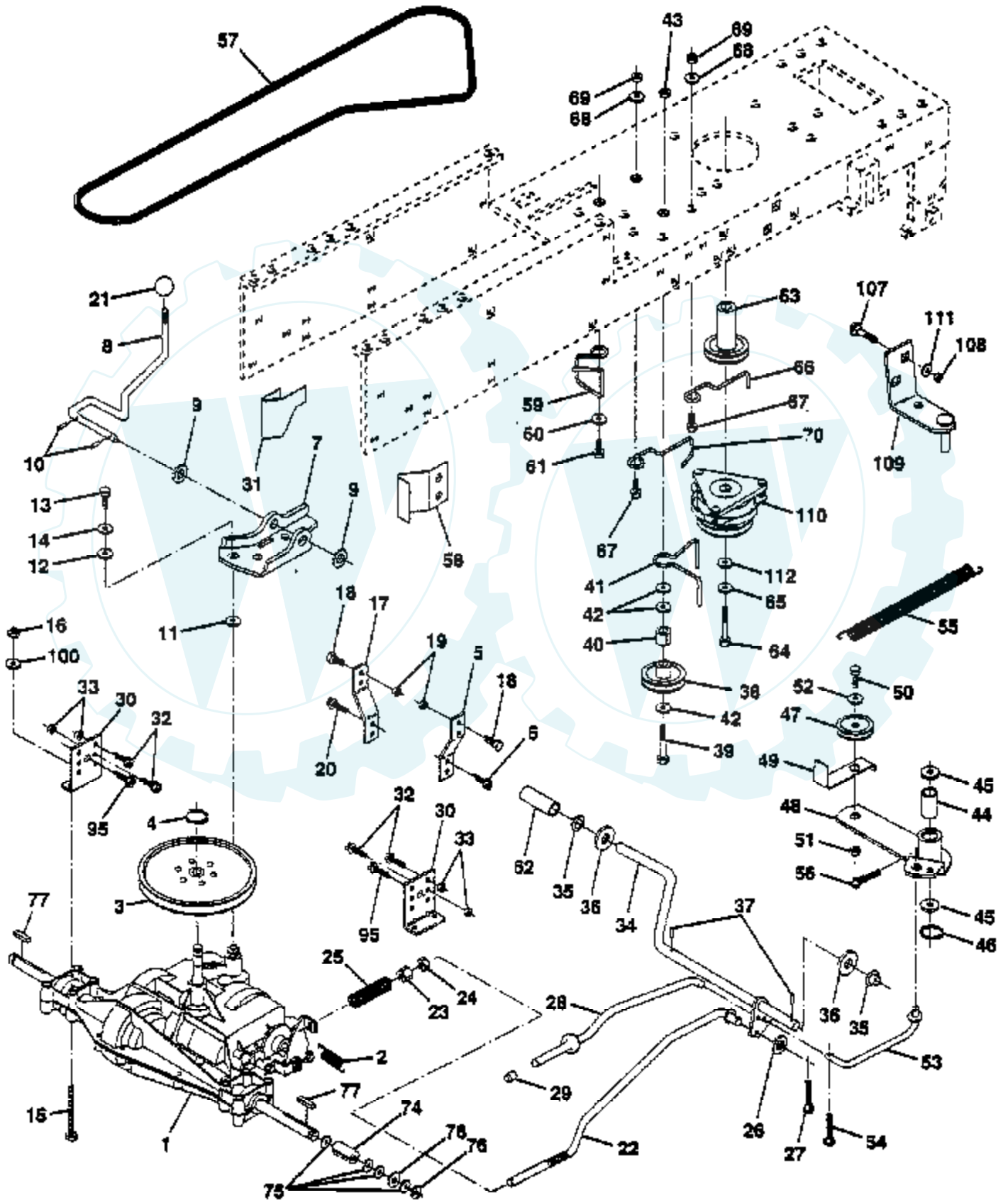


| Ref # | Part Number | Qty | Description |
|-------|-------------|-----|--------------------|
| 1 | 138955 | | DECAL.DASH.INST. |
| 3 | 135865 | | DECAL.HOOD.RH |
| 4 | 135864 | | DECAL.HOOD.LH |
| 5 | 129512 | | NLA |
| 6 | 133796 | | DECAL |
| 7 | 4900J | | DECAL T |
| 13 | 135845 | | DECAL, INSERT |
| 15 | 136830 | | DECAL.V.BELT |
| 16 | 135841 | | DECAL, FENDER LOGO |
| 19 | 140837 | | DECAL BRAK PARK |
| | 138311 | | DECAL HANDLE LIFT |
| | 140718 | | MANUAL OPERATORS |
| | 143999 | | MANUAL.OP.WP12542 |
| | MP42 | | SUB= MP42A |
| | BD20 | | 42" SNOW BLOWER |
| | SB20 | | 40" SNOW THROWER |
| | LC05 | | WHEEL WTS. |
| | LA018 | | TIRE CHAINS |



12.5 HP 42" TRACTOR -- MODEL NUMBER WP12542C

DRIVE

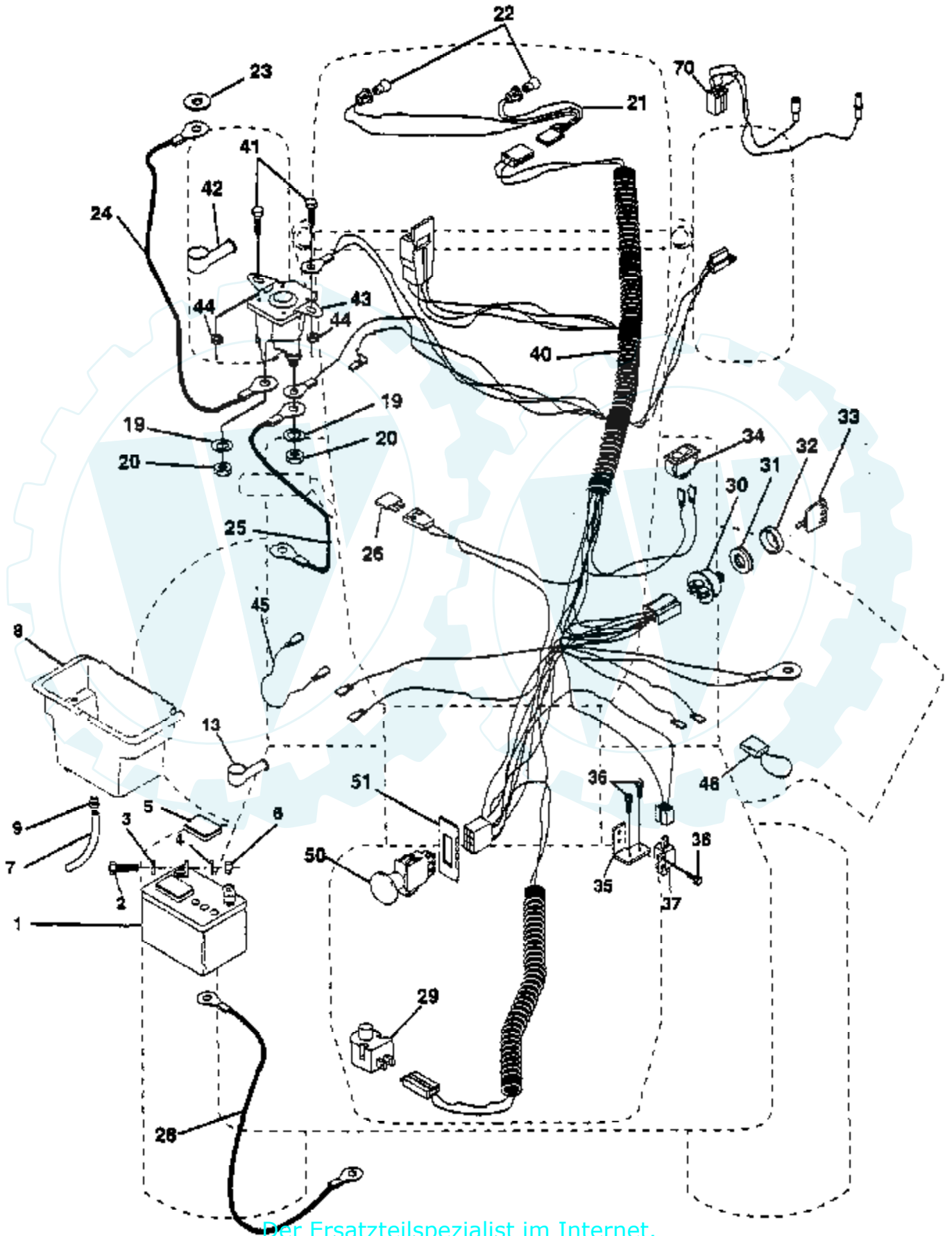


| Ref # | Part Number | Qty | Description |
|-------|-------------|-----|---------------------|
| 1 | 142603 | | SUB= 160664 |
| 2 | 110422X | | SUB= 146682 |
| 3 | 123666X | | PULLEY TRANS |
| 4 | 12000028 | | SUB= 2267J |
| 5 | 121520X | | STRAP TORQUE |
| 6 | 17490512 | | SCREW |
| 7 | 130802 | | SUB= 162240 |
| 8 | 131679 | | SHIFT ROD |
| 9 | 19151216 | | WASHER |
| 10 | 76020416 | | PIN COTTER 1/8 |
| 11 | 105701X | | WASH-SHFT PLT LT |
| 12 | 19091210 | | WASHER LT |
| 13 | 71040412 | | SUB= 74550412 |
| 14 | 10040400 | | LOCKWASHER |
| 15 | 74780544 | | BOLT HEX |
| 16 | 73680500 | | SUB= 73690500 |
| 17 | 121520X | | STRAP TORQUE |
| 18 | 74780616 | | BOLT |
| 19 | 73800600 | | NUT |
| 20 | 17490512 | | SCREW |
| 21 | 106933X | | KNOB T (1/2-HOLE) |
| 22 | 130804 | | BRAKE ROD |
| 23 | 73800600 | | NUT |
| 24 | 73350600 | | NUT |
| 25 | 106888X | | SPRING ROD LT |
| 26 | 19131316 | | WASHER |
| 27 | 76020412 | | COTTER PIN |
| 28 | 133261 | | BRAKE PARK ROD |
| 29 | 71673 | | PLUNGER CAP T |
| 30 | 130807 | | TRANSAXLE MTG BKT |
| 31 | 127275X | | "KEEPER,BELT LH T" |
| 32 | 74760512 | | BOLT |
| 33 | 73800500 | | NUT |
| 34 | 122424X | | SUB= 149001 |
| 35 | 120183X | | NYLON BEARING |
| 36 | 19211616 | | WASHER LT |
| 37 | 1572H | | SUB= 2882J |
| 38 | 123674X | | PULLEY.IDLER.FLAT |
| 39 | 74760644 | | BOLT |
| 40 | 4470J | | SPACER T |
| 41 | 109070X | | BELT KEEPER LT |
| 42 | 19131312 | | WASHER |
| 43 | 73680600 | | SUB= 73690600 |
| 44 | 105706X | | "LY, BEARING" |
| 45 | 110812X | | WASHER LT |
| 46 | 12000039 | | KLIP RING |
| 47 | 127783 | | SUB= 139245 |
| 48 | 123789X | | ARM IDLER |
| 49 | 123205X | | RETAIN BELT |
| 50 | 74760624 | | SUB= 74930624 |
| 51 | 73680600 | | SUB= 73690600 |
| 52 | 19131316 | | WASHER |
| 53 | 105710X | | "LINK, CLUTCH T" |
| 54 | 76020412 | | COTTER PIN |
| 55 | 105709X | | "SPRING, RETURN LT" |
| 56 | 76020412 | | COTTER PIN |
| 57 | 130801 | | SUB= 138255 |
| 58 | 127274X | | "KEEPER,BELT RH T" |

| Ref # | Part Number | Qty | Description |
|-------|-------------|-----|---------------------|
| 59 | 140312 | | KEEPER BELT CNTSP |
| 60 | 19131312 | | WASHER |
| 61 | 17490612 | | SCREW |
| 62 | 8883R | | PEDAL COVER T |
| 63 | 140189 | | PULLEY CLU ELEC |
| 64 | 71170768 | | SUB= 150280 |
| 65 | 10040700 | | LOCKWASHER |
| 66 | 129921 | | KEEPER.BELT.ENG.L |
| 67 | 74760616 | | BOLT |
| 68 | 19131312 | | WASHER |
| 69 | 73680600 | | SUB= 73690600 |
| 70 | 105730X | | "KEEPER,BLT ENG LT" |
| 71 | 74760616 | | BOLT |
| 72 | 19132012 | | WASHER |
| 73 | 73680600 | | SUB= 73690600 |
| 74 | 109502X | | SPACER LT |
| 75 | 121749X | | WASHER |
| 76 | 12000001 | | E-RING LT |
| 77 | 123583X | | SQUARE KEY |
| 78 | 121748X | | WASHER |
| 95 | 17490612 | | SCREW |
| 107 | 72140506 | | BOLT |
| 108 | 73680500 | | SUB= 73690500 |
| 109 | 137141 | | BRACKET.ASM.MTG |
| 110 | 137140 | | SUB= 142600 |
| 111 | 19111012 | | WASHER T |
| 112 | 126197X | | WASHER |
| 100 | 19111216 | | WASHER M |

12.5 HP 42" TRACTOR - - MODEL NUMBER WP12542C

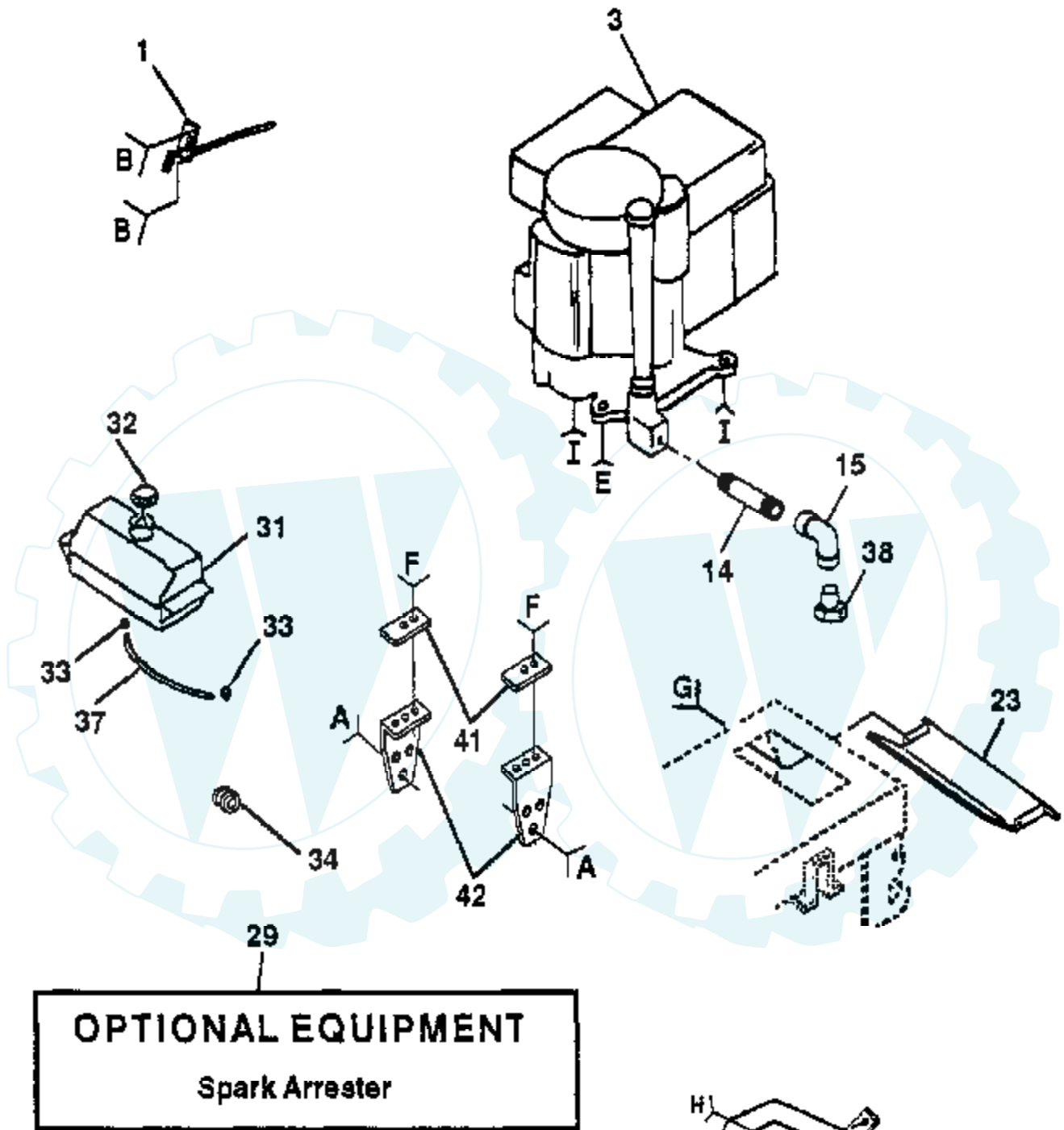
ELECTRICAL



| Ref # | Part Number | Qty | Description |
|-------|-------------|-----|--------------------|
| 1 | 121537X | | SUB= 123899X |
| 2 | 74760412 | | BOLT LT |
| 3 | 19091016 | | WASHER |
| 4 | 10040400 | | LOCKWASHER |
| 5 | 121264X | | "CAP,BATTERY " |
| 6 | 73220400 | | SUB= 50675 |
| 7 | 109238X | | TUBE T |
| 8 | 133753 | | BTRY CASE W/O LID |
| 9 | 109596X | | HOSE CLAMP T |
| 13 | 719J | | SUB= 154336 |
| 19 | 10090400 | | SUB= 10040400 |
| 20 | 73350400 | | NUT |
| 21 | 136850 | | "HARNES,LIGHT SOC" |
| 22 | 4152J | | HEADLAMP BULB |
| 23 | 11150400 | | LOCKWASHER |
| 24 | 4206J | | CABLE-BATTERY T |
| 25 | 132202 | | SUB= 146147 |
| 26 | 108824X | | FUSE HYT |
| 28 | 4207J | | CABLE T |
| 29 | 121305X | | SWITCH SEAT |
| 30 | 140399 | | SUB= 163088 |
| 31 | 140400 | | SUB= 145774 |
| 32 | 141226 | | COVER KEY SWITCH |
| 33 | 140401 | | KEY MLD GEN DELTA |
| 34 | 110712X | | SWITCH LT |
| 35 | 140336 | | BRACKET SWITCH IN |
| 36 | 17021008 | | SCREW |
| 37 | 104445X | | SWITCH-INTER. GT |
| 40 | 140420 | | HARNES IGNITION |
| 41 | 71110408 | | BOLT HXHD FIN |
| 42 | 131563 | | SUB= 154336 |
| 43 | 138406 | | SUB= 146154 |
| 44 | 73640400 | | NUT HXKEP 1/4X20 |
| 45 | 140844 | | ADAPTER AMMETER |
| 46 | 141940 | | PROTECTION LOOP |
| 50 | 140404 | | SUB= 154959 |
| 51 | 140405 | | RING RETAIN PTO |
| 70 | 144328 | | HARNES.ENGINE |

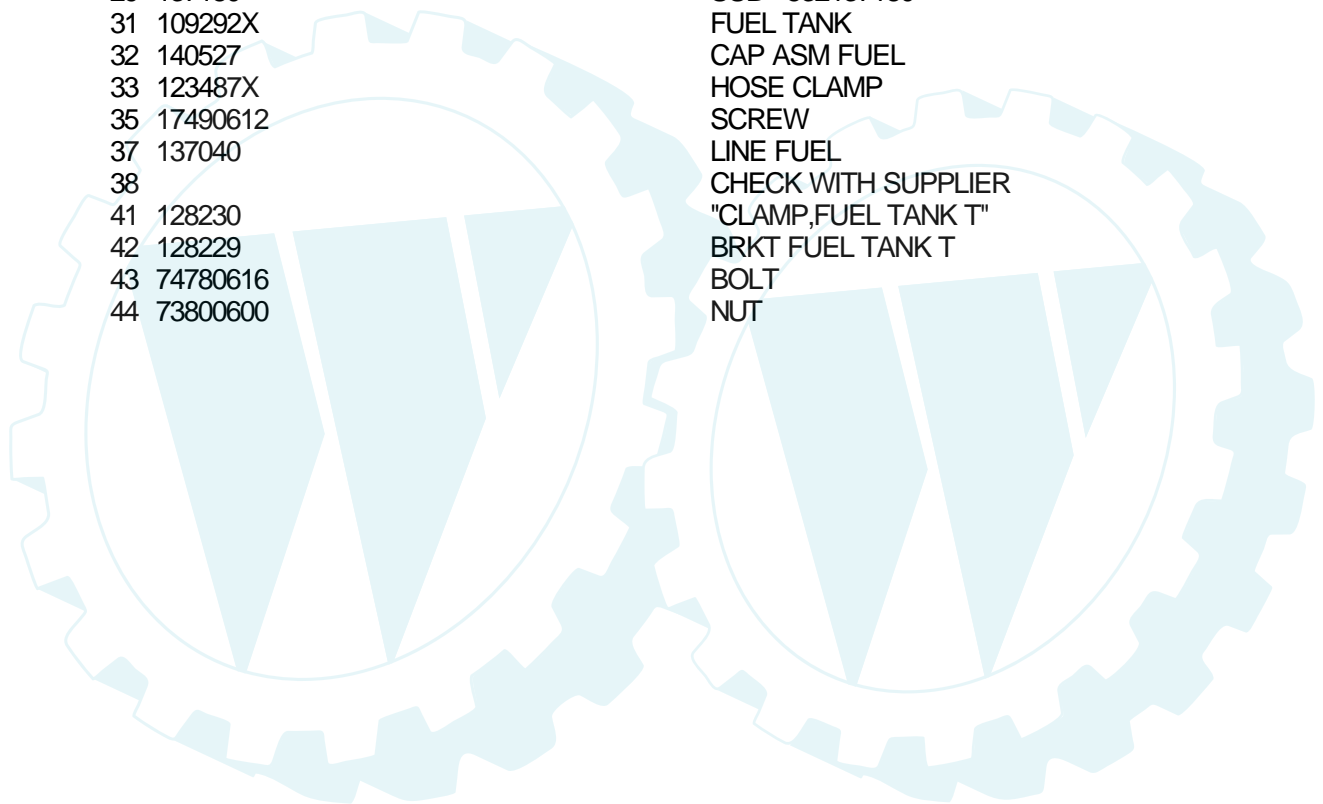
12.5 HP 42" TRACTOR - - MODEL NUMBER WP12542C

ENGINE



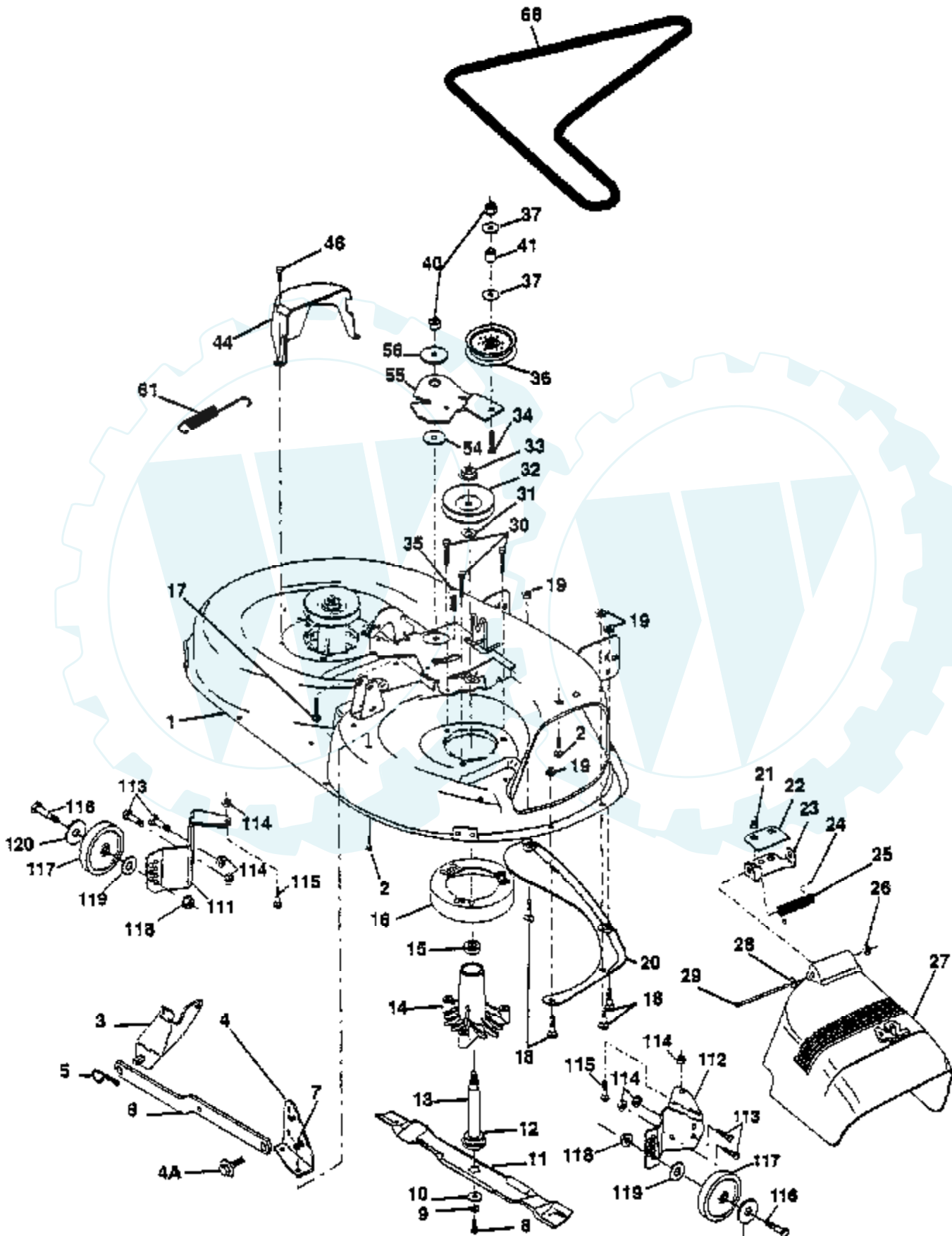
- | A | B | E | F | G | H | I |
|----|---|----|----|----|---|----|
| | | | | | | |
| 43 | 2 | 17 | 35 | 24 | 8 | 17 |
| | | | | | | |
| 44 | | 18 | | | | |

| Ref # | Part Number | Qty | Description |
|-------|-------------|-----|----------------------|
| 1 | 132752 | | "CONTROL, THROTTLE" |
| 2 | 17720410 | | SCREW LT |
| 3 | | | REFER TO IMAGE |
| 6 | 125593X | | SUB= 272293 |
| 7 | 10040500 | | LOCKWASHER |
| 8 | 71070512 | | SCREW |
| 13 | 137348 | | MUFFLER |
| 14 | 13280324 | | PIPE NIPPLE |
| 15 | 13200300 | | ELBOW |
| 16 | 11050500 | | LOCKWASHER.5/16.E |
| 17 | 17490620 | | SCREW |
| 23 | 128953X | | SUB= 128953 |
| 24 | 17021008 | | SCREW |
| 29 | 137180 | | SUB= 532137180 |
| 31 | 109292X | | FUEL TANK |
| 32 | 140527 | | CAP ASM FUEL |
| 33 | 123487X | | HOSE CLAMP |
| 35 | 17490612 | | SCREW |
| 37 | 137040 | | LINE FUEL |
| 38 | | | CHECK WITH SUPPLIER |
| 41 | 128230 | | "CLAMP, FUEL TANK T" |
| 42 | 128229 | | BRKT FUEL TANK T |
| 43 | 74780616 | | BOLT |
| 44 | 73800600 | | NUT |



12.5 HP 42" TRACTOR - - MODEL NUMBER WP12542C

MOWER DECK



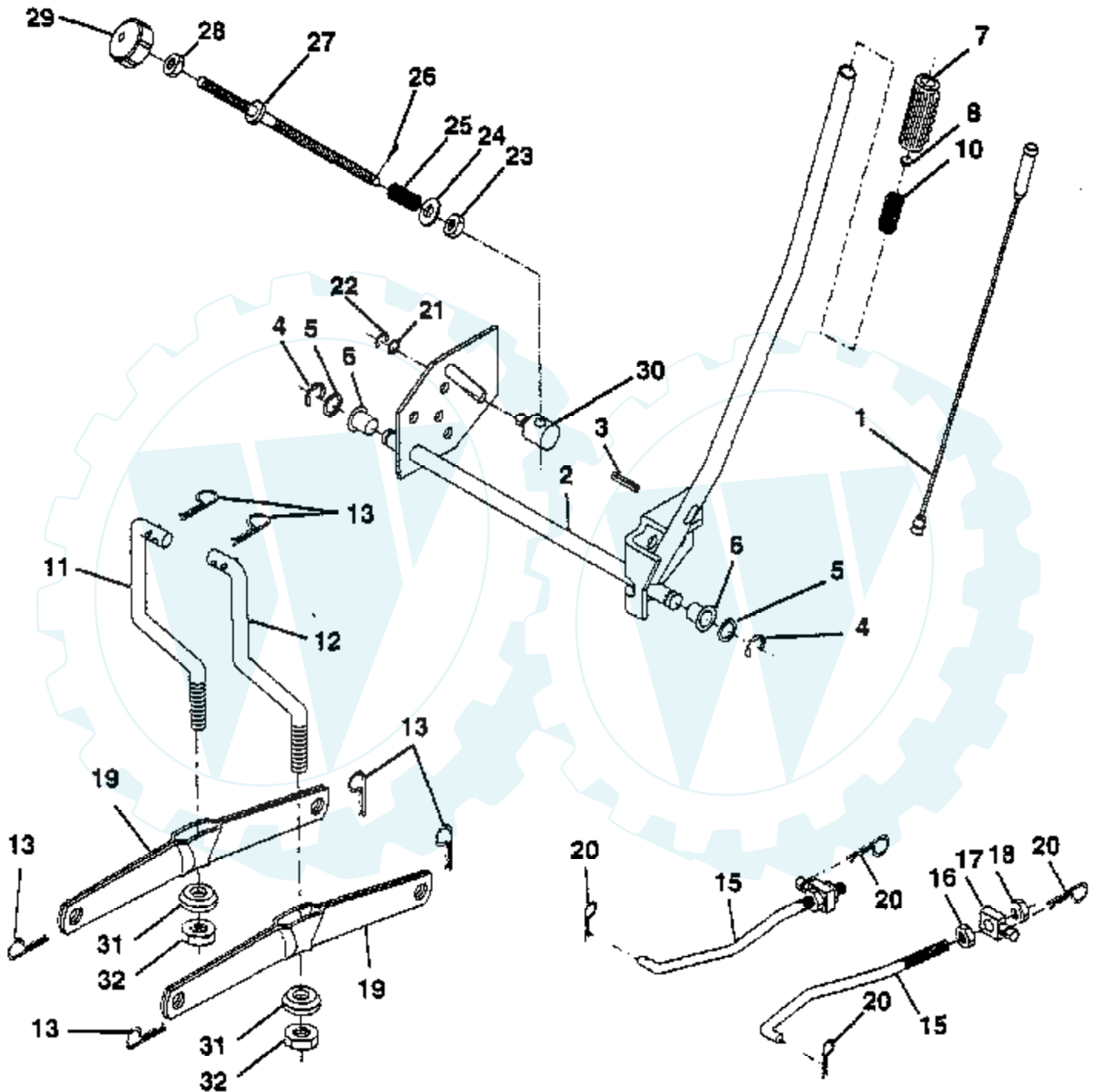
| Ref # | Part Number | Qty | Description |
|-------|-------------|-----|--------------------------------|
| 1 | 140081 | | SUB= 144393 |
| 2 | 72140506 | | BOLT |
| 3 | 138017 | | BRKT ASM SWAY BAR |
| 4 | 138440 | | BRKT DECK SW BAR |
| 4A | 132827 | | BOLT SHD 5/16-18 |
| 5 | 4939M | | SUB= 85902 |
| 6 | 130832 | | SUB= 130833 |
| 7 | 7380050 | | NUT LK HEX W/INS 5/16-18 UNC P |
| 8 | 850857 | | BLADE BOLT |
| 9 | 10030600 | | SUB= 10040600 |
| 10 | 140296 | | WASHER.HARD.BLADE |
| 11 | 134149 | | "BLADE.42"" MULCHER" |
| 12 | 129895 | | BEARING.BALL |
| 13 | 137645 | | SUB= 137646 |
| 14 | 128774 | | HSG ASM MANDREL |
| 15 | 110485X | | BEARING |
| 16 | 140389 | | STRIPPER |
| 17 | 72110622 | | BOLT |
| 18 | 72140505 | | BOLT |
| 19 | 73800500 | | NUT |
| 20 | 136888 | | SUB= 918136888 |
| 21 | 73800500 | | NUT |
| 22 | 134753 | | STIFFENER BRKT |
| 23 | 131267 | | DEFLECTOR BRKT |
| 24 | 105304X | | CAP-SLEEVE LT |
| 25 | 123713X | | SPRING TORSION |
| 26 | 110452X | | NUT PUSH M |
| 27 | 130968 | | DEFLECTOR.SHIELD |
| 28 | 19111016 | | WASHER |
| 29 | 131491 | | HINGE ROD |
| 30 | 138776 | | SUB= 157722 |
| 31 | 129963 | | WASHER |
| 32 | 129861 | | SUB= 153535 |
| 33 | 137266 | | SUB= 139729 |
| 34 | 72110610 | | BOLT RDHD 3/8-16 |
| 35 | 133835 | | XMAS TREE FASTNER |
| 36 | 131494 | | FLAT IDLER PULLEY |
| 37 | 19131316 | | WASHER |
| 40 | 73800600 | | NUT |
| 41 | 132823 | | SUB= 532132823 |
| 44 | 140088 | | GUARD MAND LH BLK |
| 46 | 137729 | | SCREW.1/4-20X5/8 |
| 54 | 133943 | | HARDENED WASHER |
| 55 | 140084 | | SUB= 151785 |
| 56 | 122052X | | SPACER RETAINER |
| 61 | 131950 | | SPRING.EXTENSION |
| 68 | 140067 | | BELT-V MWR 82.625 |
| 111 | 140353 | | SUB= 155197 |
| 112 | 132262 | | SUB= 155198 |
| 113 | 74760512 | | BOLT |
| 114 | 73510500 | | NUT |
| 115 | 72110504 | | SUB= 872110504 |
| 116 | 4898H | | BOLT M |
| 117 | 105455X | | WHEEL.GAGE.BLK.PL |
| 118 | 73930600 | | LOCKNUT |
| 119 | 19121414 | | WASHER |
| 120 | 19171512 | | WASHER |
| | 130794 | | MANDREL ASM |

| Ref # | Part Number | Qty | Description |
|-------|-------------|-----|-------------|
| | 140476 | | SUB= 145452 |



12.5 HP 42" TRACTOR - - MODEL NUMBER WP12542C

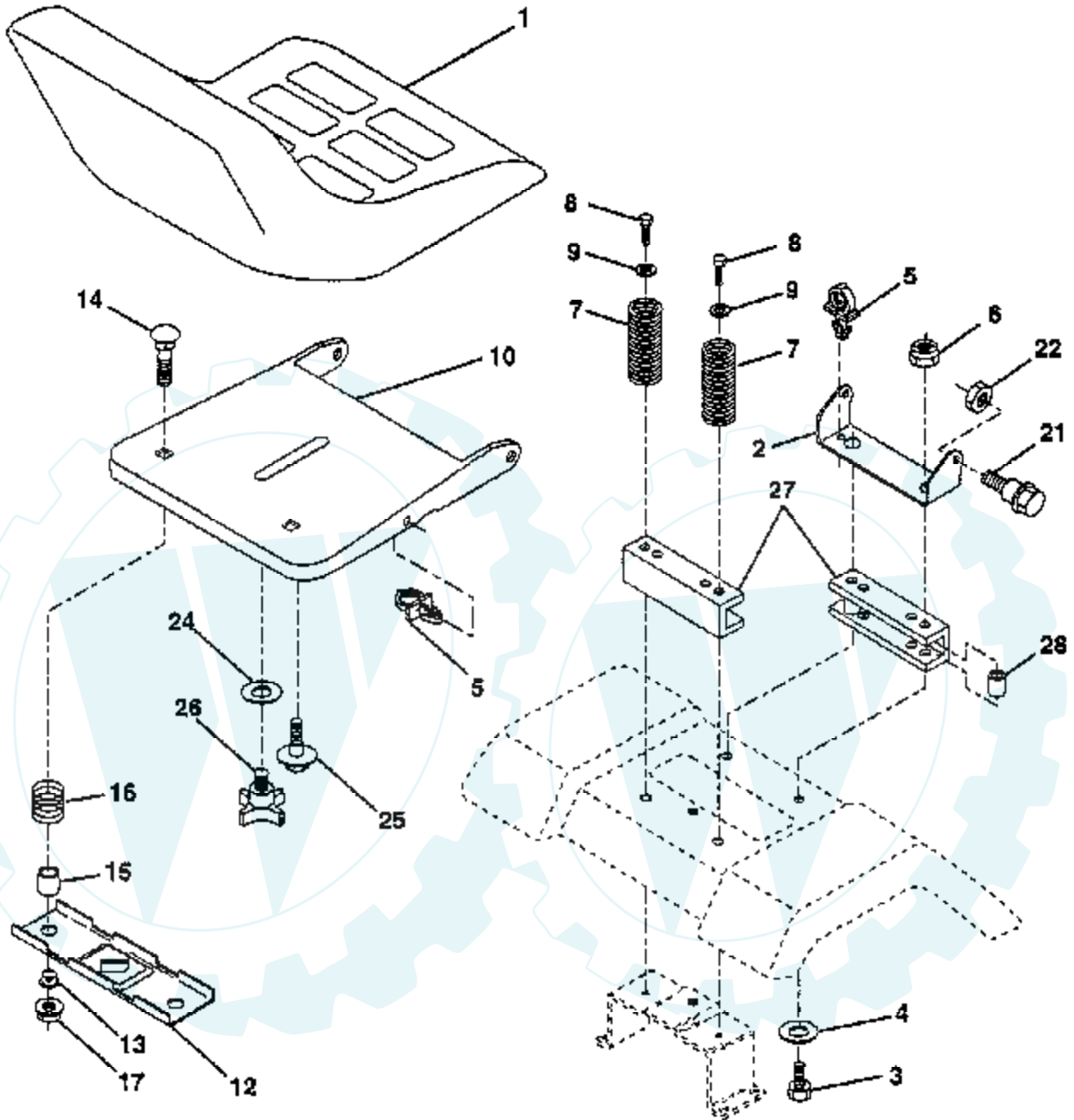
MOWER LIFT



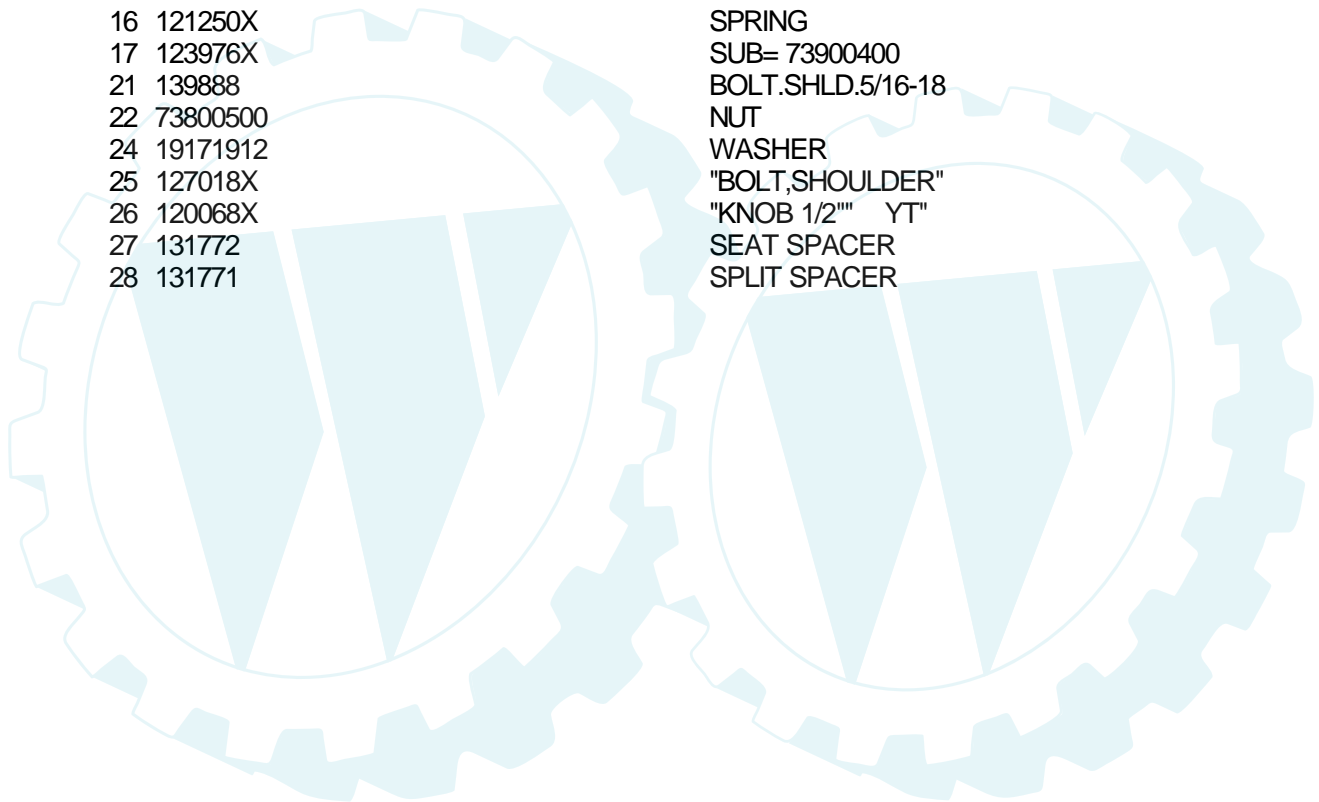
| Ref # | Part Number | Qty | Description |
|-------|-------------|-----|-------------------|
| 1 | 136971 | | WIRE.ASM.INNER |
| 2 | 136968 | | SHAFT.ASM.LIFT.RH |
| 3 | 138284 | | PIN GROOVE |
| 4 | 12000002 | | SUB= 2225J |
| 5 | 19211621 | | WASHER |
| 6 | 120183X | | NYLON BEARING |
| 7 | 109413X | | GRIP |
| 8 | 124526X | | SUB= 125925X |
| 10 | 122512X | | SUB= 532122512 |
| 11 | 139865 | | SUB= 918139865 |
| 12 | 139866 | | SUB= 151140 |
| 13 | 4939M | | SUB= 85902 |
| 15 | 127218 | | LINK.FRONT |
| 16 | 73350800 | | NUT |
| 17 | 130171 | | TRUNION |
| 18 | 73800800 | | NUT.LK.W/WSH.1/2. |
| 19 | 139868 | | ARM SUSP REAR |
| 20 | 3146R | | RETAINER.SPRING |
| 21 | 19151216 | | WASHER |
| 22 | 12000037 | | KLIP RING |
| 23 | 110807X | | NUT T |
| 24 | 19131016 | | WASHER |
| 25 | 2876H | | SPRING T |
| 26 | 76020308 | | SUB= 3145 |
| 27 | 110729X | | ROD LIFT LT |
| 28 | 73350600 | | NUT |
| 29 | 138057 | | KNOB INF 3/8-16 |
| 30 | 110810X | | TRUNION LT |
| 31 | 140302 | | BEARING PVT LH |
| 32 | 73810600 | | NUT.LOCK.3/8-24 |

12.5 HP 42" TRACTOR - - MODEL NUMBER WP12542C

SEAT



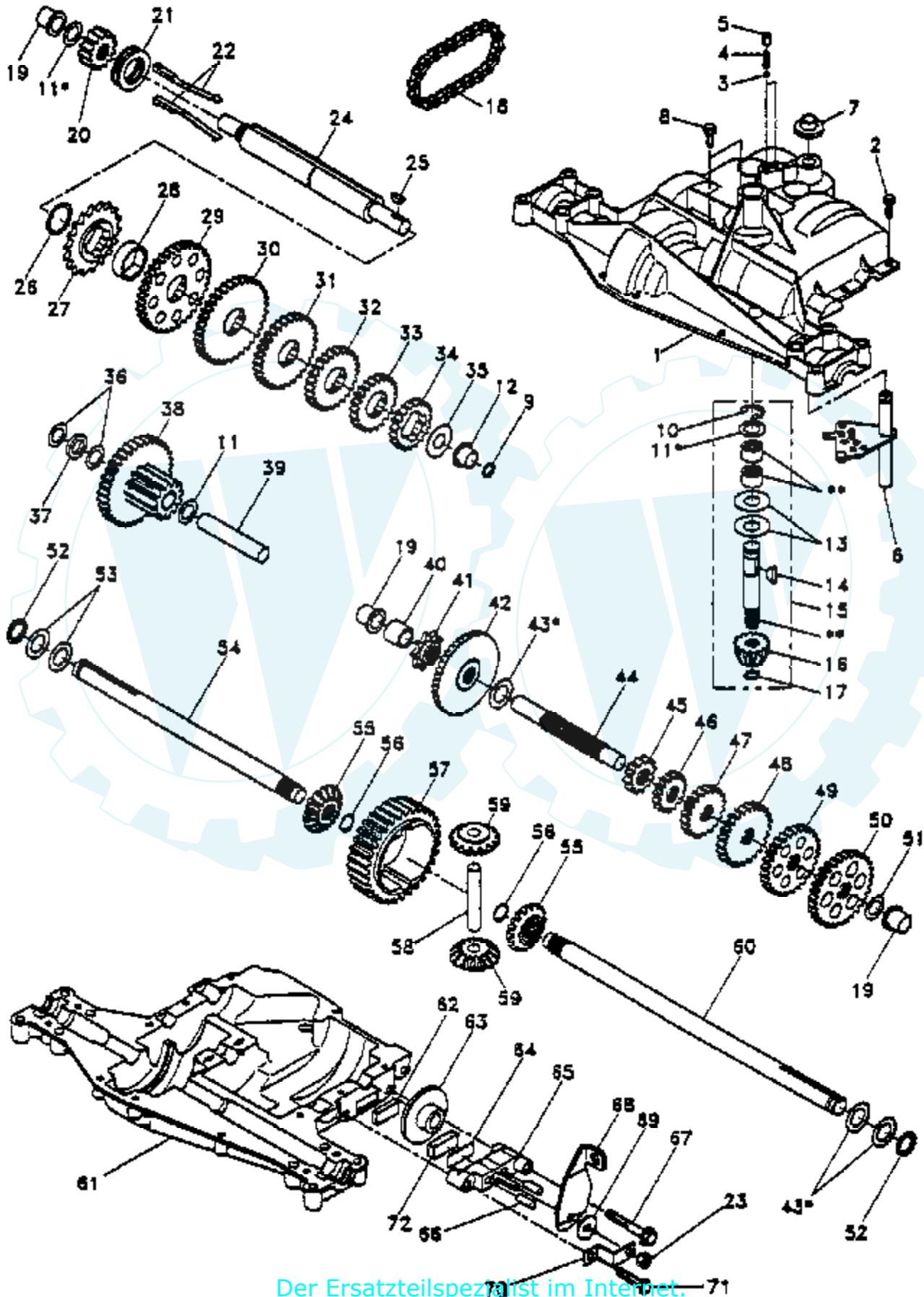
| Ref # | Part Number | Qty | Description |
|-------|-------------|-----|-------------------|
| 1 | 127427 | | SUB= 140119 |
| 2 | 140551 | | BRACKET PVT SEAT |
| 3 | 74760640 | | BOLT |
| 4 | 19131610 | | WASHER PM |
| 5 | 140407 | | CLIP PUSH - IN |
| 6 | 73800600 | | NUT |
| 7 | 124181X | | SPRING COMPRESSIO |
| 8 | 17490640 | | SCREW |
| 9 | 19131614 | | WASHER |
| 10 | 140552 | | SUB= 155925 |
| 12 | 121246X | | BRKT SWITCH |
| 13 | 121248X | | BUSHING |
| 14 | 72050411 | | SUB= 872050411 |
| 15 | 134300 | | SPLIT SPACER |
| 16 | 121250X | | SPRING |
| 17 | 123976X | | SUB= 73900400 |
| 21 | 139888 | | BOLT.SHLD.5/16-18 |
| 22 | 73800500 | | NUT |
| 24 | 19171912 | | WASHER |
| 25 | 127018X | | "BOLT,SHOULDER" |
| 26 | 120068X | | "KNOB 1/2" YT" |
| 27 | 131772 | | SEAT SPACER |
| 28 | 131771 | | SPLIT SPACER |



| Ref # | Part Number | Qty | Description |
|-------|-------------|-----|---------------------|
| 1 | 121472X | | SUB= 150546 |
| 2 | 142033 | | AXLE ASM FRONT |
| 3 | 135227 | | SPINDLE LH |
| 4 | 135228 | | SPINDLE RH |
| 5 | 6266H | | WASHER .T |
| 6 | 121748X | | WASHER |
| 7 | 19272016 | | WASHER |
| 8 | 12000029 | | RING |
| 9 | 3366R | | COL. SRTG. BEAR. |
| 10 | 130468 | | SUB= 532130468 |
| 11 | 10040600 | | LOCKWASHER |
| 12 | 73610600 | | SUB= 7810H |
| 13 | 110438X | | BEARING |
| 14 | 74011056 | | BOLT HEX 5/8-11 |
| 15 | 73901000 | | "NUT-LOC,FLANGE LT" |
| 16 | 132624 | | AXLE PIN |
| 17 | 128758 | | STEERING SHAFT |
| 18 | 57079 | | THRUST WASHER |
| 19 | 124035X | | SUPPORT.SHAFT |
| 20 | 126684X | | SUB= 532126684 |
| 21 | 10040400 | | LOCKWASHER |
| 22 | 71070410 | | "SCREW,SPECIAL" |
| 23 | 127501 | | SUB= 918127501 |
| 24 | 109816X | | NYLINER T |
| 25 | 124036X | | "BRKT,STEERING" |
| 26 | 12000029 | | RING |
| 27 | 136874 | | GEAR SECTOR |
| 28 | 6266H | | WASHER .T |
| 29 | 17490612 | | SCREW |
| 30 | 10040600 | | LOCKWASHER |
| 31 | 73610600 | | SUB= 7810H |
| 32 | 130467 | | TIE ROD |
| 33 | 19111216 | | WASHER M |
| 34 | 10040500 | | LOCKWASHER |
| 35 | 73810500 | | NUT.LOCK.5/16-24 |
| 36 | 1554J | | SUB= 155108 |
| 37 | 17431008 | | SUB= 98000165 |
| 38 | 126805X | | "INSERT,STR WHEEL" |
| 39 | 100712K | | WASHER |
| 40 | 73940800 | | SUB= 73360800 |
| 41 | 100711L | | ADAPTER LT |
| 43 | 121749X | | WASHER |
| 44 | 121748X | | WASHER |
| 45 | 12000029 | | RING |
| 46 | 121232X | | CAP |
| 47 | 6855M | | ZERK M |

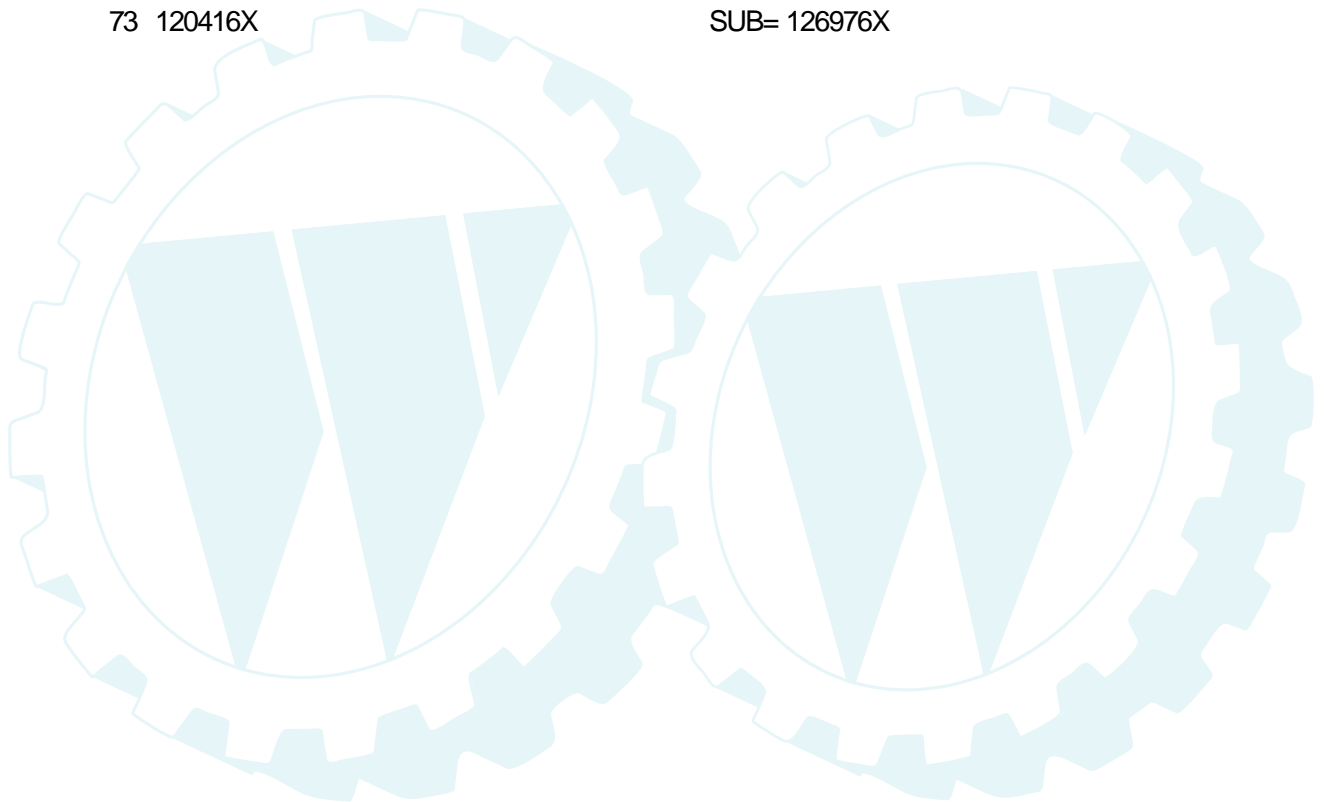
12.5 HP 42" TRACTOR - - MODEL NUMBER WP12542C

TRANSAXLE - DANA MODEL NUMBER D4360-79

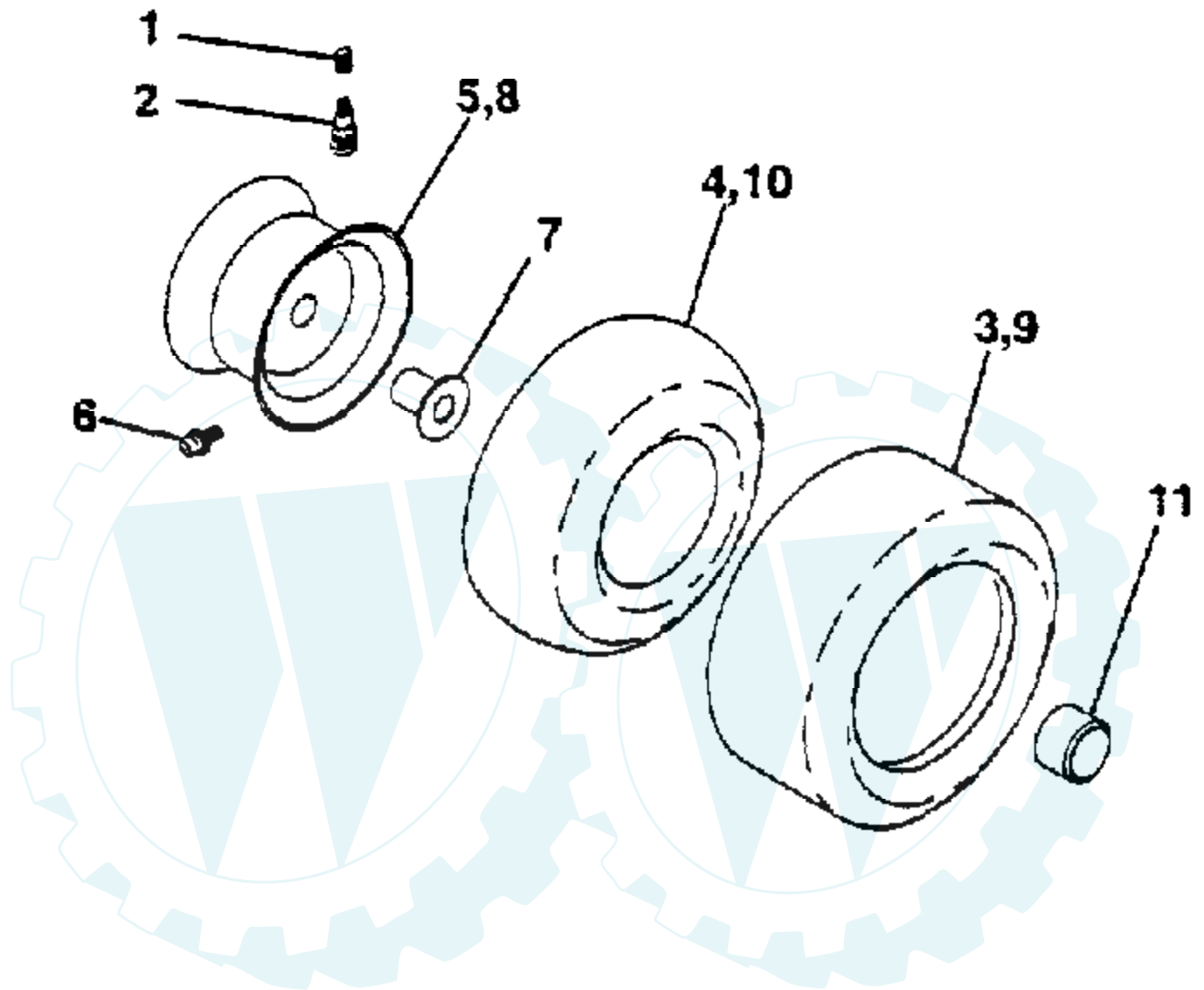


| Ref # | Part Number | Qty | Description |
|-------|-------------|-----|---------------------|
| 1 | 142671 | | HOUSING UPPER TRN |
| 2 | 2274J | | SUB= 74760412 |
| 3 | 134400 | | SUB= 68003 |
| 4 | 105904X | | "SPRING, DETENT LT" |
| 5 | 105905X | | "SCREW, SET LT" |
| 6 | 138235 | | KIT SHIFTER ASM |
| 7 | 134399 | | SHIFTER BOOT |
| 8 | 134791 | | SCREW TAP W/SEAL |
| 9 | 138241 | | SQUARE RING |
| 10 | 142672 | | SUB= 2225J |
| 11 | 134793 | | ASM KIT SHIM 4689 |
| 12 | 142673 | | BEARING FLAN-DANA |
| 13 | 120415X | | WASHER T |
| 14 | 142674 | | KEY WOODRUFF-DANA |
| 15 | 138234 | | AS KIT INPUT SHFT |
| 16 | 110078X | | PINION 14T T |
| 17 | 105909X | | "RING,RETAINING LT" |
| 18 | 105910X | | "CHAIN,24 PTCH LT" |
| 19 | 105911X | | BEARING.FLNG.5510 |
| 20 | 142675 | | GEAR SPUR 14 TTH |
| 21 | 138246 | | COLLAR CLUTCH |
| 22 | 138236 | | ASM KIT CLTCH KEY |
| 23 | 73810500 | | NUT.LOCK.5/16-24 |
| 24 | 142676 | | SHAFT INTERM DANA |
| 25 | 2244J | | WOODRUFF KEY |
| 26 | 105916X | | "RING,RETAINING LT" |
| 27 | 120470X | | SPROCKET 18T T |
| 28 | 110070X | | SPACER YT |
| 29 | 142677 | | GEAR SPUR 37 TTH |
| 30 | 142681 | | GEAR SPUR 35 TTH |
| 31 | 120405X | | SUB= 124644X |
| 32 | 108980X | | GEAR 25T LT |
| 33 | 120406X | | GEAR SPUR 22 TT |
| 34 | 134796 | | SPUR GEAR 19T |
| 35 | 105925X | | "WASHER, PLAIN LT" |
| 36 | 2232J | | WASHER 025 |
| 37 | 108978X | | SPACER |
| 38 | 110079X | | ASSM GEAR COMB |
| 39 | 124639X | | SHAFT IDLER |
| 40 | 120472X | | SPACER T |
| 41 | 105928X | | SPROCKET 9T LT |
| 42 | 110084X | | SUB= 167148 |
| 43 | 134394 | | ASM KIT SHIM |
| 44 | 120473X | | SHAFT T |
| 45 | 142678 | | GEAR SPUR 12 TTH |
| 46 | 142679 | | GEAR SPUR 15 TTH |
| 47 | 120407X | | SUB= 124641X |
| 48 | 106589X | | "GEAR, SPUR 25T LT" |
| 49 | 120408X | | GEAR 28T T |
| 50 | 105937X | | "GEAR, SPUR 31T LT" |
| 51 | 2226J | | WASHER 060 |
| 52 | 134401 | | NEOPRENE WASHER |
| 53 | 2264J | | WASHER 031 |
| 54 | 120474X | | SUB= 154658 |
| 55 | 10081X | | GEAR MITER |
| 56 | 105941X | | "RING,RETAINING LT" |
| 57 | 110071X | | SUB= 120478X |
| 58 | 120952X | | SHAFT T |

| Ref # | Part Number | Qty | Description |
|-------|-------------|-----|---------------------|
| 59 | 110082X | | GEAR 1ST T |
| 60 | 120475X | | SUB= 154659 |
| 61 | 142680 | | HOUSING LOWER TNS |
| 62 | 120961X | | PUCK T |
| 63 | 7294J | | BRAKE DISC. T |
| 64 | 108989X | | SPACER LT |
| 65 | 120953X | | SUB= 918120953X |
| 66 | 120954X | | PIN T |
| 67 | 134799 | | TAP SCREW |
| 68 | 138244 | | SUB= 108992X |
| 69 | 108996X | | WASHER LT |
| 70 | 120956X | | NLA |
| 71 | 106596X | | "SCREW, TAPPING LT" |
| 72 | 120951X | | PUCK T |
| 73 | 120416X | | SUB= 126976X |



TIRES AND WHEELS



| Ref # | Part Number | Qty | Description |
|-------|-------------|-----|-------------------|
| 1 | 59192 | | VALVE CAP |
| 2 | 65139 | | VALVE STEM LT |
| 3 | 106222X | | SUB= 122073X |
| 4 | 59904 | | TUBE.5.3/4.5/6 |
| 5 | 106732X417 | | "RIM,FRT T" |
| 6 | 278H | | FITTING LT |
| 7 | 9040H | | "FLANGE, BEARING" |
| 8 | 106108X417 | | "RIM 8"" |
| 9 | 106268X | | SUB= 122074X |
| 10 | 7152J | | TUBE.18X9.5-8 |
| 11 | 104757X | | HUB CAP |

