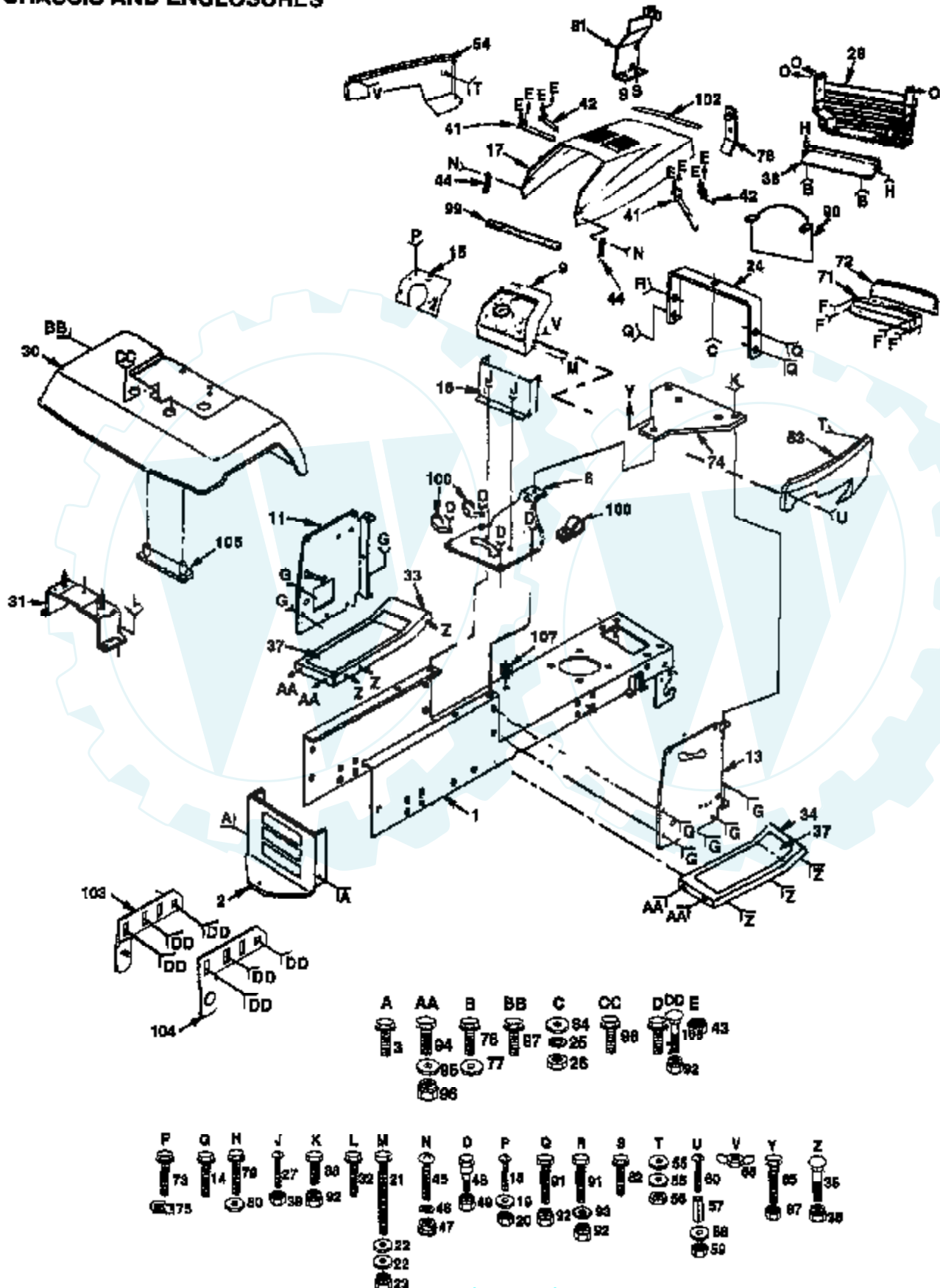


# 12.5 HP 42" TRACTOR - - MODEL NUMBER WP12542A

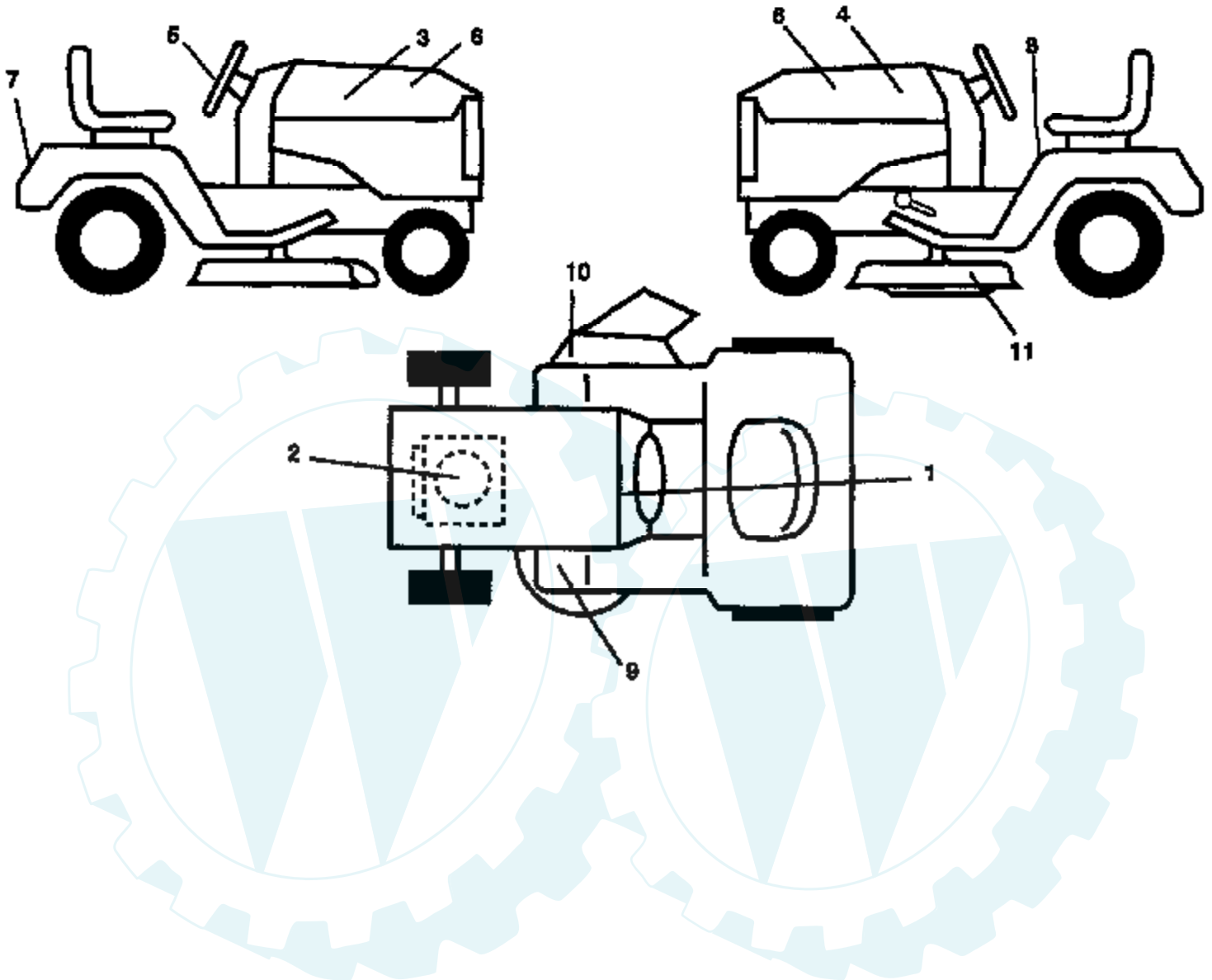
## CHASSIS AND ENCLOSURES



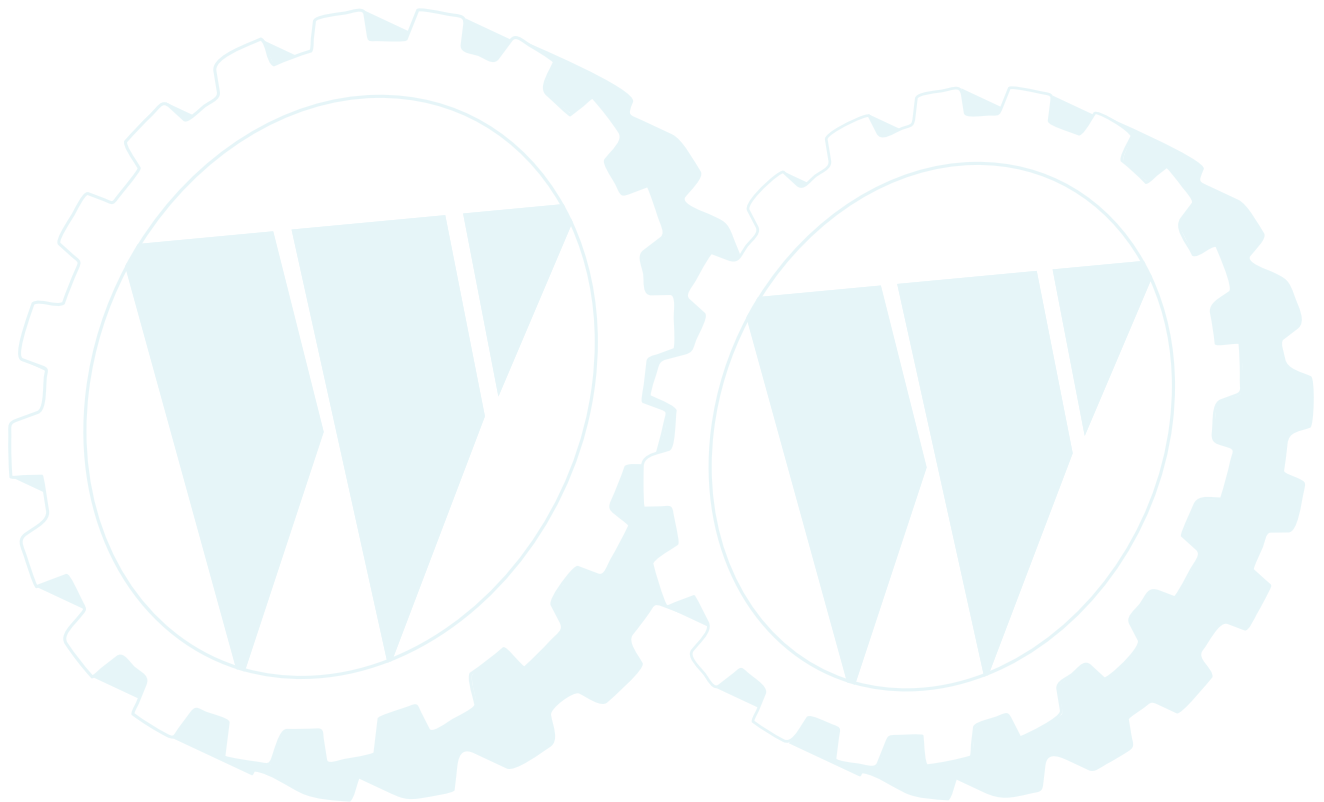
Ref #	Part Number	Qty	Description
1	135034		SUB= 145501
2	130805		SUB= 145009
3	17490612		SCREW
6	131343X020		SADDLE
7	17490608		SCREW LT
9	124252X		SUB= 140398
11	132178		DASH PANEL LH
13	136169		"PANEL,DASH RH"
14	17490612		SCREW
15	136170X010		"PLATE,DASH"
16	132177		LOWER DASH
17	132635X505		SUB= 150301X505
18	74180512		SCREW
19	19111116		WASHER
20	73510500		NUT
21	74760620		SUB= 74780620
22	19131312		WASHER
23	73680600		SUB= 73690600
24	124130X		SUPPORT ASS'Y
25	10040400		LOCKWASHER
26	73220400		SUB= 50675
27	74180512		SCREW
28	131716		SUB= 532131716
30	121663X505		FENDER
31	105509X		SUB= 137113
32	17490612		SCREW
33	105465X505		SUB= 145244X505
34	105464X505		SUB= 145243X505
35	72110606		BOLT
36	73680600		SUB= 73690600
37	133671		FOOTREST PAD
38	105419X505		GRILL STRAP
39	73510500		NUT
41	106784X		SUB= 155013
42	104618X		SUB= 155013
43	73510400		NUT
44	109808X		HOOD LATCH T
45	74191008		SCREW
46	10071000		LOCKWASHER
47	2029J		WELDNUT
48	123481X		SUB= 7605J
49	73680400		SUB= 73690400
53	132636X505		"PANEL,SIDE RH"
54	132637X505		"PANEL,SIDE LH"
55	19091216		WASHER PM
56	73220400		SUB= 50675
57	7206J		SPACER LT
58	19070818		WASHER
59	73731000		NUT
60	74981020		SCREW
66	123198X		SUB= 146525
71	124392X417		SUB= 147717
72	106395X		LENS LT
73	17211010		SCREW LT
74	106965X		SUB= 140181
75	104755X		"" J"" FASTENER LT"
76	17490512		SCREW
77	19131210		WASHER

Ref #	Part Number	Qty	Description
78	132644		SUB= 532132644
79	17490412		SCREW HEX CRT
80	19091016		WASHER
81	121279X		SUB= 532121279
82	17490612		SCREW
84	19091216		WASHER PM
85	74760512		BOLT
87	73510500		NUT
88	74760620		SUB= 74780620
90	133685		BAFFLE HOOD VERT
91	74760612		SUB= 74780612
92	73680600		SUB= 73690600
93	11050600		LOCKWASHER
94	74760612		SUB= 74780612
95	19131312		WASHER
96	73680600		SUB= 73690600
97	17490608		SCREW LT
98	17490612		SCREW
99	105037X		FOAM-STRIP LT
100	2751R		CLIP T
102	104915X		SUB= 105037X
103	134774		PIVOT BRKT LH
104	134775		PIVOT BRKT RH
105	72140606		BOLT
106	105511X		SUB= 140675
107	9151R		SNAP BUSHING T

### 12.5 HP 42" TRACTOR - - MODEL NUMBER WP12542A

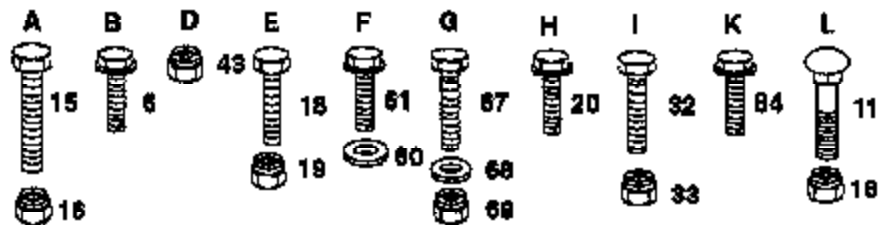
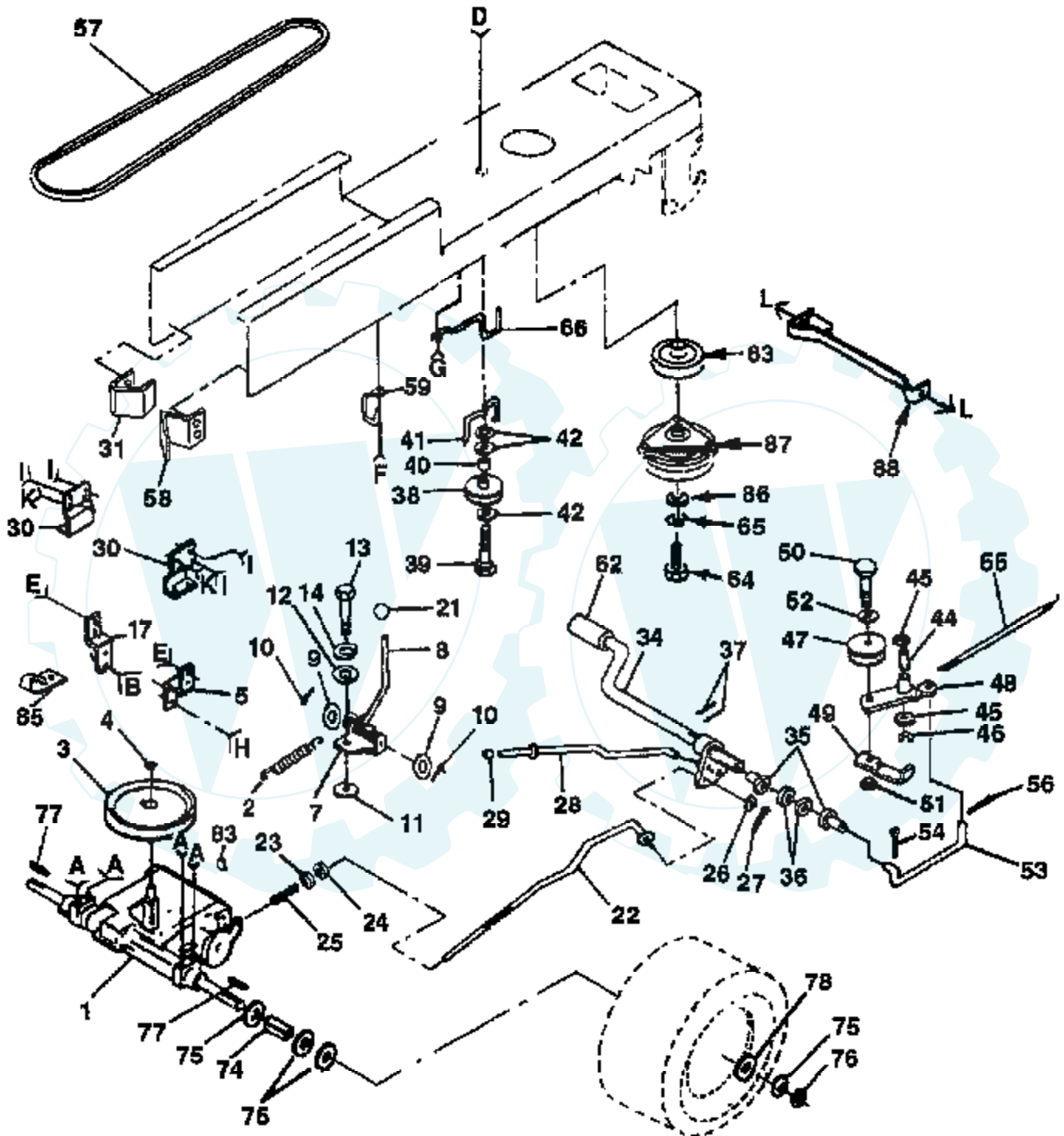


Ref #	Part Number	Qty	Description
1	108456X		SUB= 138955
2	129057		SUB= 532129057
3	134865		DECAL, HOOD RH
4	135864		DECAL.HOOD.LH
5	135845		DECAL, INSERT
6	129512		NLA
7	135843		DECAL, FENDER WINSTON PRO
8	133796		DECAL
9	4900J		DECAL T
10	121343X		DECAL WARING
11	3713J		DECAL INSTRUCTION CAUTION
	132704		MANUAL, OPERATOR'S
	136112		MANUAL



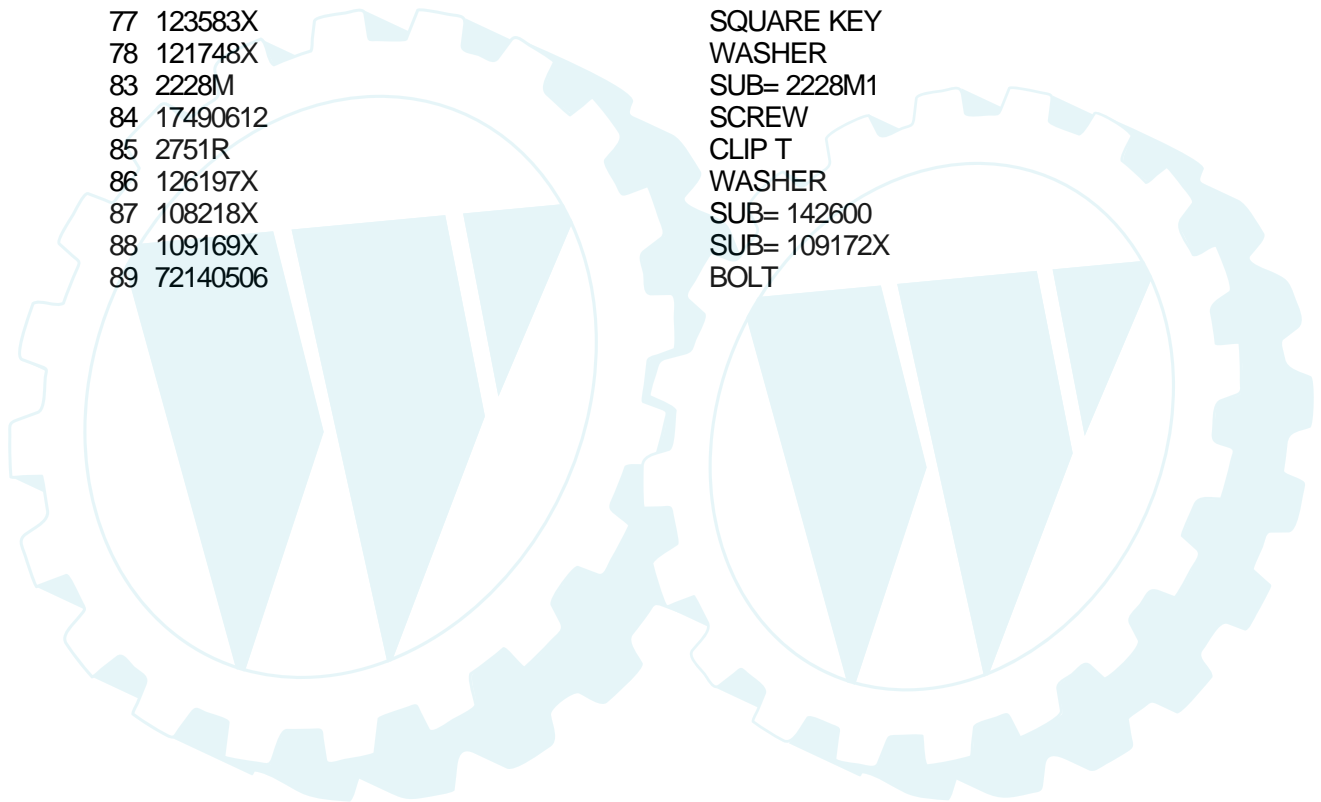
### 12.5 HP 42" TRACTOR -- MODEL NUMBER WP12542A

#### DRIVE



Ref #	Part Number	Qty	Description
1	120898X		SUB= 137367
2	110422X		SUB= 146682
3	123666X		PULLEY TRANS
4	12000028		SUB= 2267J
5	121520X		STRAP TORQUE
6	17490512		SCREW
7	130802		SUB= 162240
8	131679		SHIFT ROD
9	19151216		WASHER
10	76020416		PIN COTTER 1/8
11	105701X		WASH-SHFT PLT LT
12	19091210		WASHER LT
13	71040412		SUB= 74550412
14	10040400		LOCKWASHER
15	74760540		BOLT
16	73680500		SUB= 73690500
17	121520X		STRAP TORQUE
18	74760612		SUB= 74780612
19	73680600		SUB= 73690600
20	17490512		SCREW
21	106933X		KNOB T (1/2-HOLE)
22	130804		BRAKE ROD
23	73800600		NUT
24	73350600		NUT
25	106888X		SPRING ROD LT
26	19131316		WASHER
27	76020412		COTTER PIN
28	133261		BRAKE PARK ROD
29	71673		PLUNGER CAP T
30	130807		TRANSAXLE MTG BKT
31	127275X		"KEEPER,BELT LH T"
32	74760512		BOLT
33	73680500		SUB= 73690500
34	122424X		SUB= 149001
35	120183X		NYLON BEARING
36	19211616		WASHER LT
37	1572H		SUB= 2882J
38	123674X		PULLEY.IDLER.FLAT
39	74760644		BOLT
40	4470J		SPACER T
41	109070X		BELT KEEPER LT
42	19131312		WASHER
43	73680600		SUB= 73690600
44	105706X		"LY, BEARING"
45	110812X		WASHER LT
46	12000039		KLIP RING
47	127783		SUB= 139245
48	123789X		ARM IDLER
49	123205X		RETAIN BELT
50	74760624		SUB= 74930624
51	73680600		SUB= 73690600
52	19131316		WASHER
53	105710X		"LINK, CLUTCH T"
54	76020412		COTTER PIN
55	105709X		"SPRING, RETURN LT"
56	76020412		COTTER PIN
57	130801		SUB= 138255
58	127274X		"KEEPER,BELT RH T"

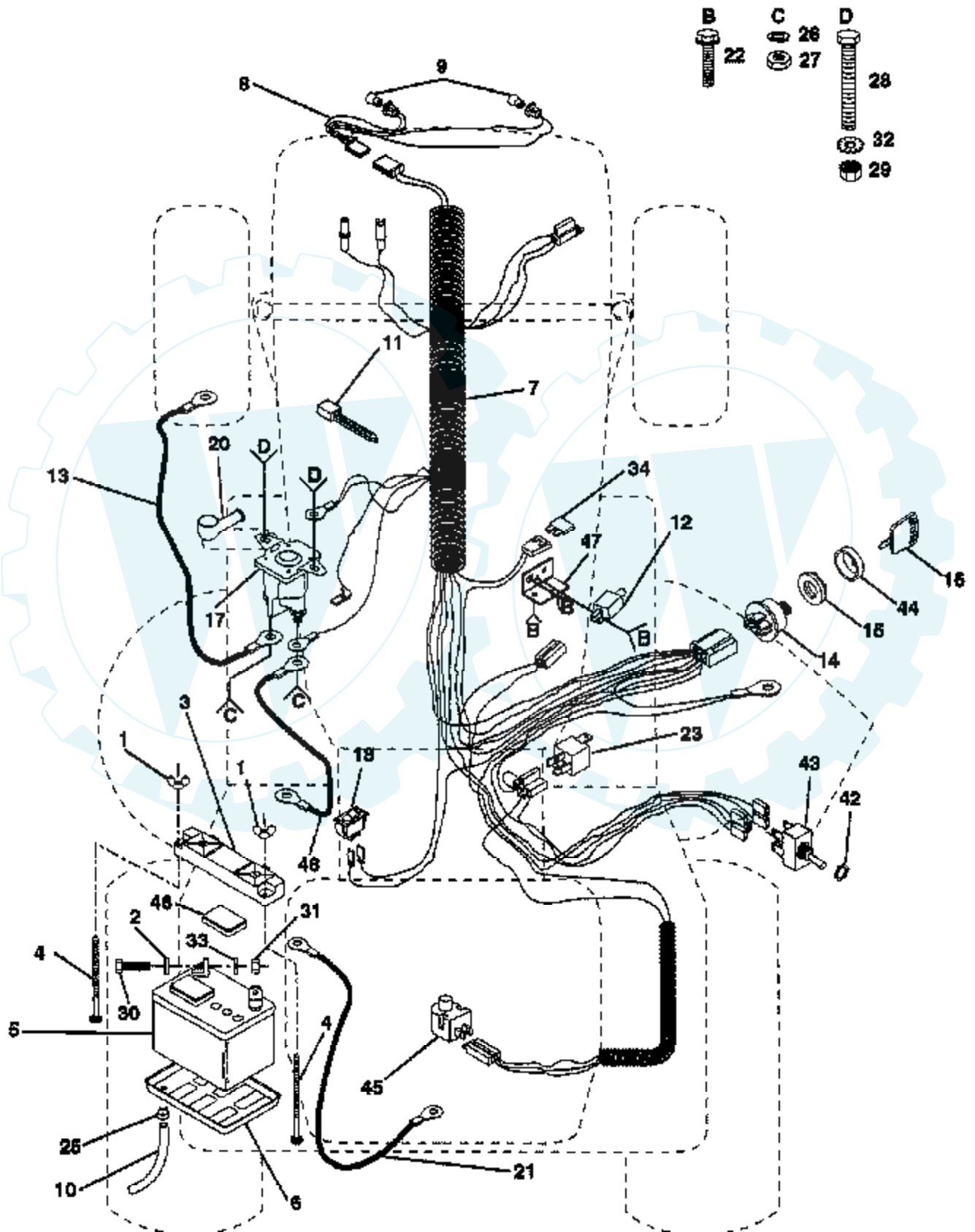
Ref #	Part Number	Qty	Description
59	104777X		SUB= 140312
60	19131312		WASHER
61	17490612		SCREW
62	8883R		PEDAL COVER T
63	109841X		SUB= 136905
64	71170768		SUB= 150280
65	10040700		LOCKWASHER
66	129921		KEEPER.BELT.ENG.L
67	74760616		BOLT
68	19131312		WASHER
69	73680600		SUB= 73690600
74	109502X		SPACER LT
75	121749X		WASHER
76	12000001		E-RING LT
77	123583X		SQUARE KEY
78	121748X		WASHER
83	2228M		SUB= 2228M1
84	17490612		SCREW
85	2751R		CLIP T
86	126197X		WASHER
87	108218X		SUB= 142600
88	109169X		SUB= 109172X
89	72140506		BOLT





### 12.5 HP 42" TRACTOR - - MODEL NUMBER WP12542A

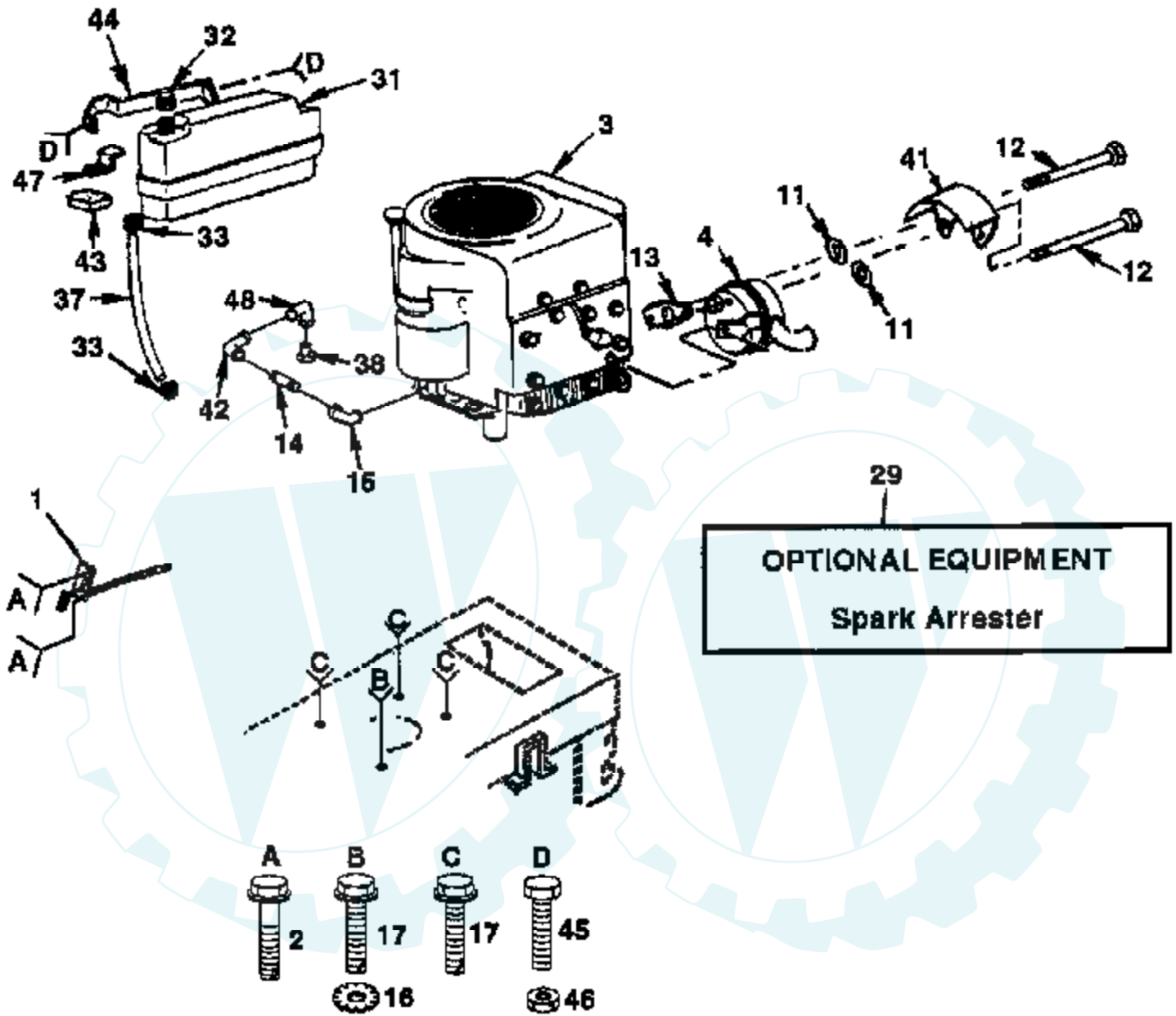
### ELECTRICAL



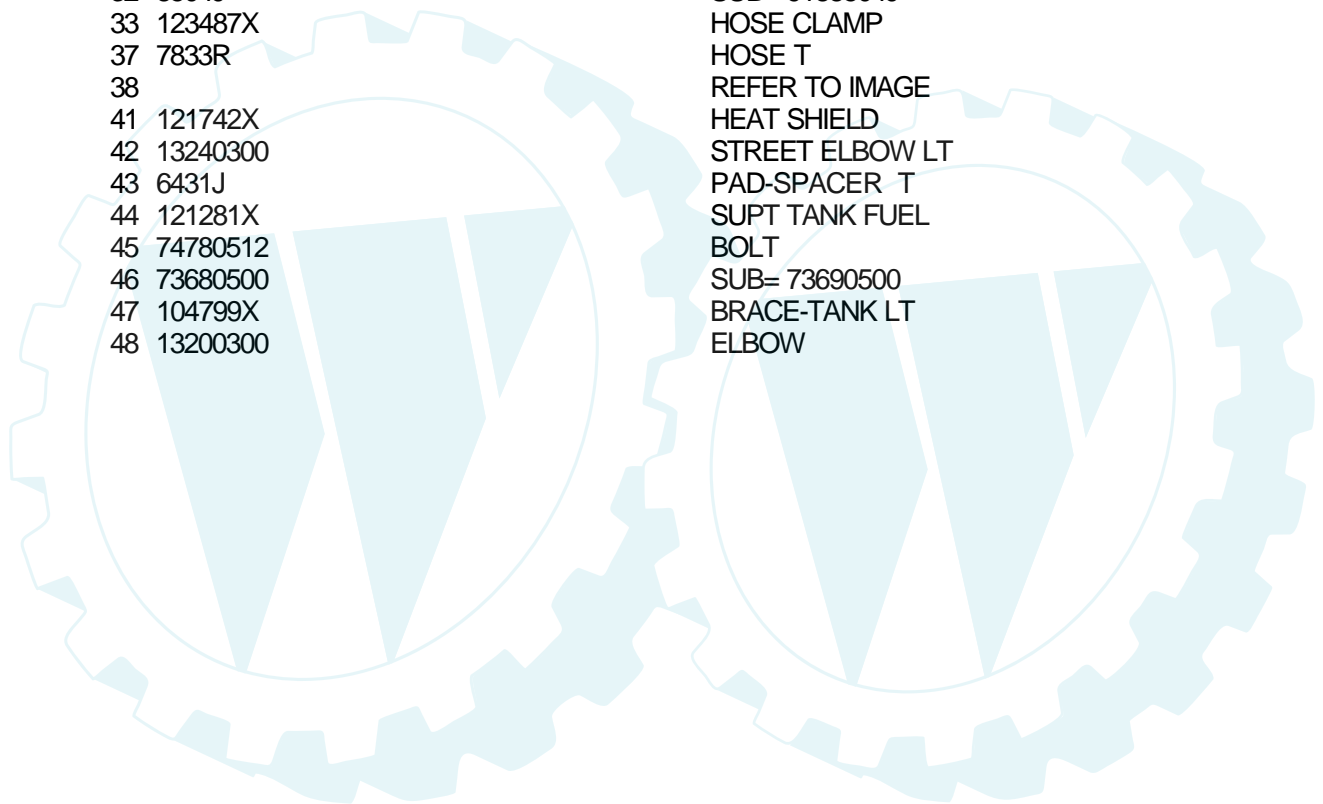
Ref #	Part Number	Qty	Description
1	123198X		SUB= 146525
2	19091016		WASHER
3	102476X		SUB= 150109
4	72240460		BOLT
5	121265X		SUB= 123899X
6	7603J		"TRAY T, BATTERY"
7	136130		"HARNES,IGNITION"
8	127441X		SUB= 136850
9	7662J		SUB= 4152J
10	7604J		SUB= 7697J
11	7192J		WIRE TIE
12	109553X		SWITCH INTERLOCKT
13	4799J		"CABLE T, BATTERY"
14	4406R		SUB= STD365402
15	124211X		NUT IGNITION
16	122147X		KEY
17	109081X		SUB= 146154
18			UNKNOWN
20	131563		SUB= 154336
21	4207J		CABLE T
22	17021008		SCREW
23	109748X		RELAY ASSY T
25	109596X		HOSE CLAMP T
26	10090400		SUB= 10040400
27	73350400		NUT
28	74780408		BOLT
29	73510400		NUT
30	74760412		BOLT LT
31	73220400		SUB= 50675
32	11050400		LOCKWASHER
33	10040400		LOCKWASHER
34	108824X		FUSE HYT
42	4022J		HEX NUT T
43	126016X		SUB= 4021J
44	123620X		SUB= 141226
45	121305		SUB= 121305X
46	121264X		"CAP,BATTERY "
47	108236X		BRACKET LT
48	4206J		CABLE-BATTERY T

### 12.5 HP 42" TRACTOR - - MODEL NUMBER WP12542A

#### ENGINE



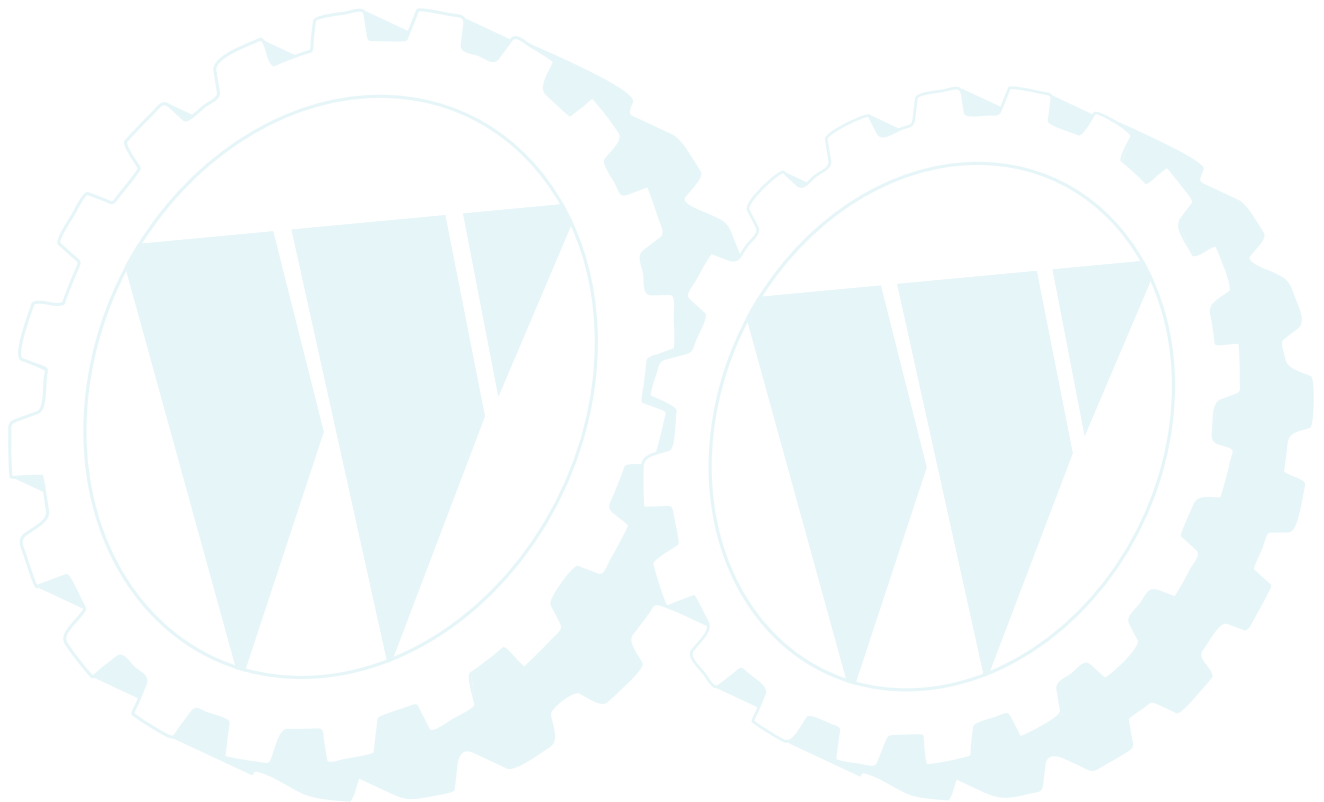
Ref #	Part Number	Qty	Description
1	134372		THROTTLE CONTROL
2	17720410		SCREW LT
3			REFER TO IMAGE
4	121304X		MUFFLER
11	19151616		SUB= 19171616
12	121744X		BOLT
13	125593X		SUB= 272293
14	13280324		PIPE NIPPLE
15	13310300		STREET ELBOW LT
16	11050600		LOCKWASHER
17	17490620		SCREW
29	121851X		SUB= 532137180
31	121280X		FUEL TANK
32	8504J		SUB= 9188504J
33	123487X		HOSE CLAMP
37	7833R		HOSE T
38			REFER TO IMAGE
41	121742X		HEAT SHIELD
42	13240300		STREET ELBOW LT
43	6431J		PAD-SPACER T
44	121281X		SUPT TANK FUEL
45	74780512		BOLT
46	73680500		SUB= 73690500
47	104799X		BRACE-TANK LT
48	13200300		ELBOW





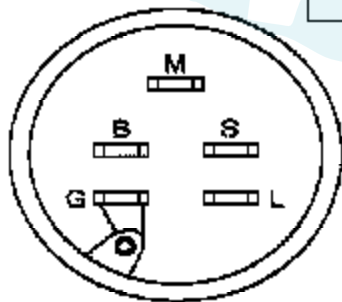
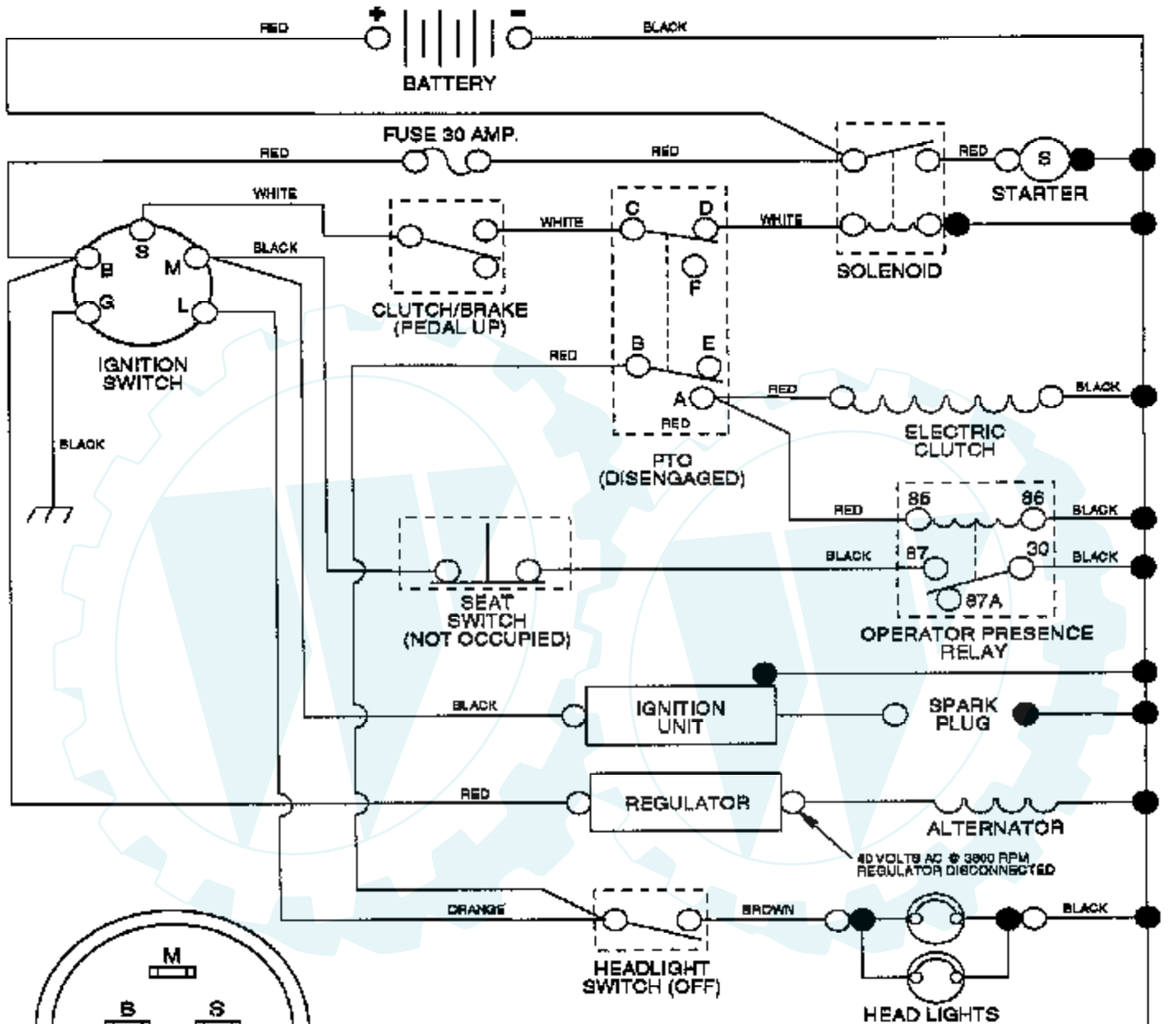
Ref #	Part Number	Qty	Description
1	130970		SUB= 145338
2	130969		BELT-V.92.4.MWR
3	110485X		BEARING
4	128774		HSG ASM MANDREL
5	133172		SUB= 137646
6	129895		BEARING.BALL
7	127843		SUB= 138498
8	129962		WASHER BLADE
9	10030600		SUB= 10040600
10	850857		BLADE BOLT
11	128961		SUB= 140329
12	130968		DEFLECTOR.SHIELD
13	131491		HINGE ROD
14	131267		DEFLECTOR BRKT
15	110452X		NUT PUSH M
16	123713X		SPRING TORSION
17	19111016		WASHER
18	105304X		CAP-SLEEVE LT
19	73680500		SUB= 73690500
20	72140506		BOLT
21	4939M		SUB= 85902
22	127218		LINK.FRONT
23	73350800		NUT
24	130171		TRUNION
25	73800800		NUT.LK.W/WSH.1/2.
26	135388		LIFT LINK RH
27	135563		"PIN,SPRING"
28	130832		SUB= 130833
29	134619		LINK LIFT LH
33	133844		IDLER ARM
34	78158		SUB= 17580520
35	129963		WASHER
36	129861		SUB= 153535
37	73050900		SUB= 139729
38	72110616		BOLT
39	133943		HARDENED WASHER
40	131494		FLAT IDLER PULLEY
41	122052X		SPACER RETAINER
42	19131316		WASHER
45	73680600		SUB= 73690600
46	72110622		BOLT
47	133835		XMAS TREE FASTNER
54	131950		SPRING.EXTENSION
58	131857		SUB= 140088
63	17720410		SCREW LT
70	132823		SUB= 532132823
71	134753		STIFFENER BRKT
74	12000002		SUB= 2225J
75	19211416		WASHER
76	132172		LIFT SHAFT ASM
77	105767X		PIN-GROOVE LT
78	120183X		NYLON BEARING
79	132175		SUB= 136973
80	122512X		SUB= 532122512
81	122364X		SUB= 125925X
82	124526X		SUB= 125925X
83	109413X		GRIP
	136371		SUB= 145452

Ref #	Part Number	Qty	Description
	130794		MANDREL ASM



### 12.5 HP 42" TRACTOR - MODEL NUMBER WP12542A

#### SCHEMATIC



IGNITION SWITCH

POSITION	CIRCUIT
OFF	M + G
ON	B + L
START	B + S

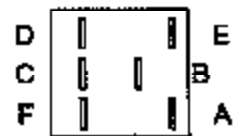
**WIRING INSULATED CLIPS**  
NOTE: IF WIRING INSULATED CLIPS WERE REMOVED FOR SERVICING OF UNIT, THEY SHOULD BE REPLACED TO PROPERLY SECURE YOUR WIRING



RELAY

PTO SWITCH	
POSITION	CIRCUIT
OFF	B + E, C + D
ON	B + A, C + F

● NON-REMOVABLE CONNECTIONS  
○ REMOVABLE CONNECTIONS



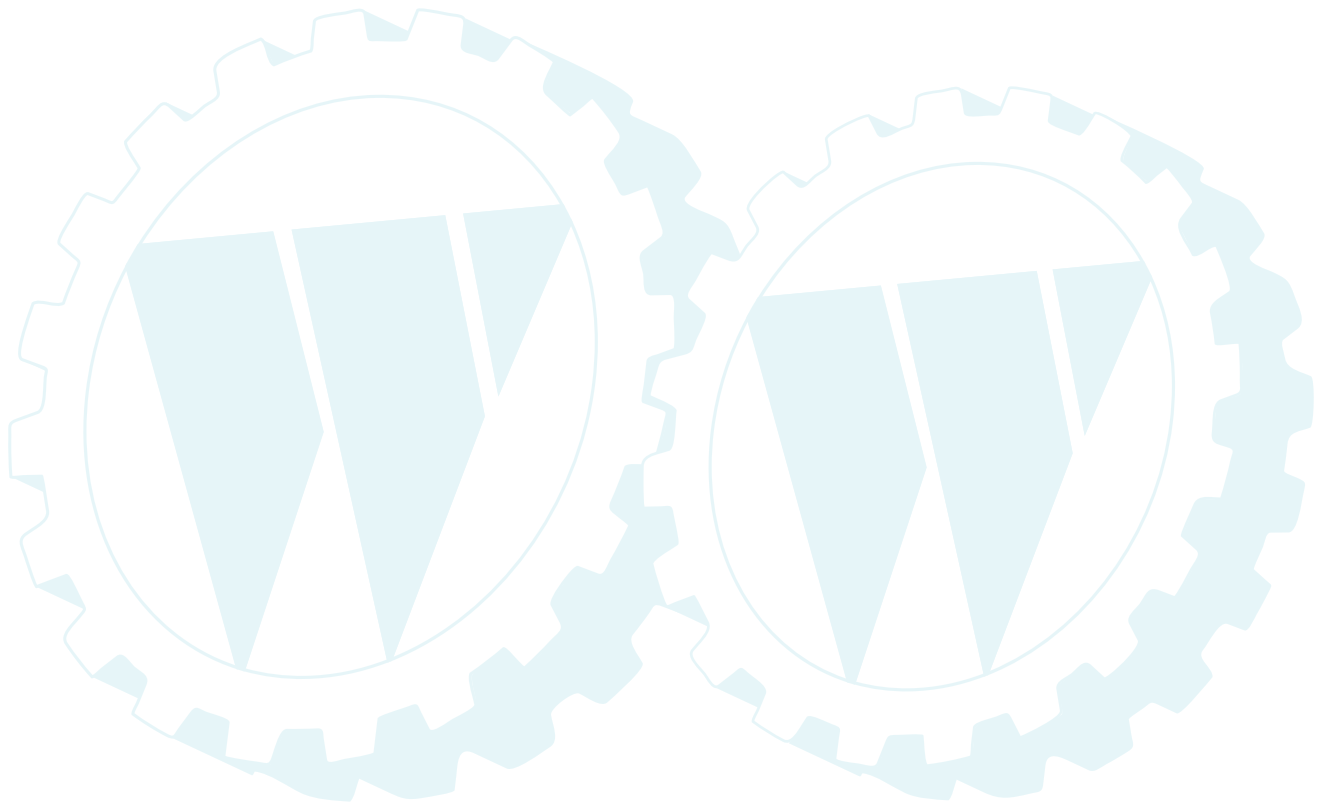


---

Ref #	Part Number	Qty	Description
-------	-------------	-----	-------------

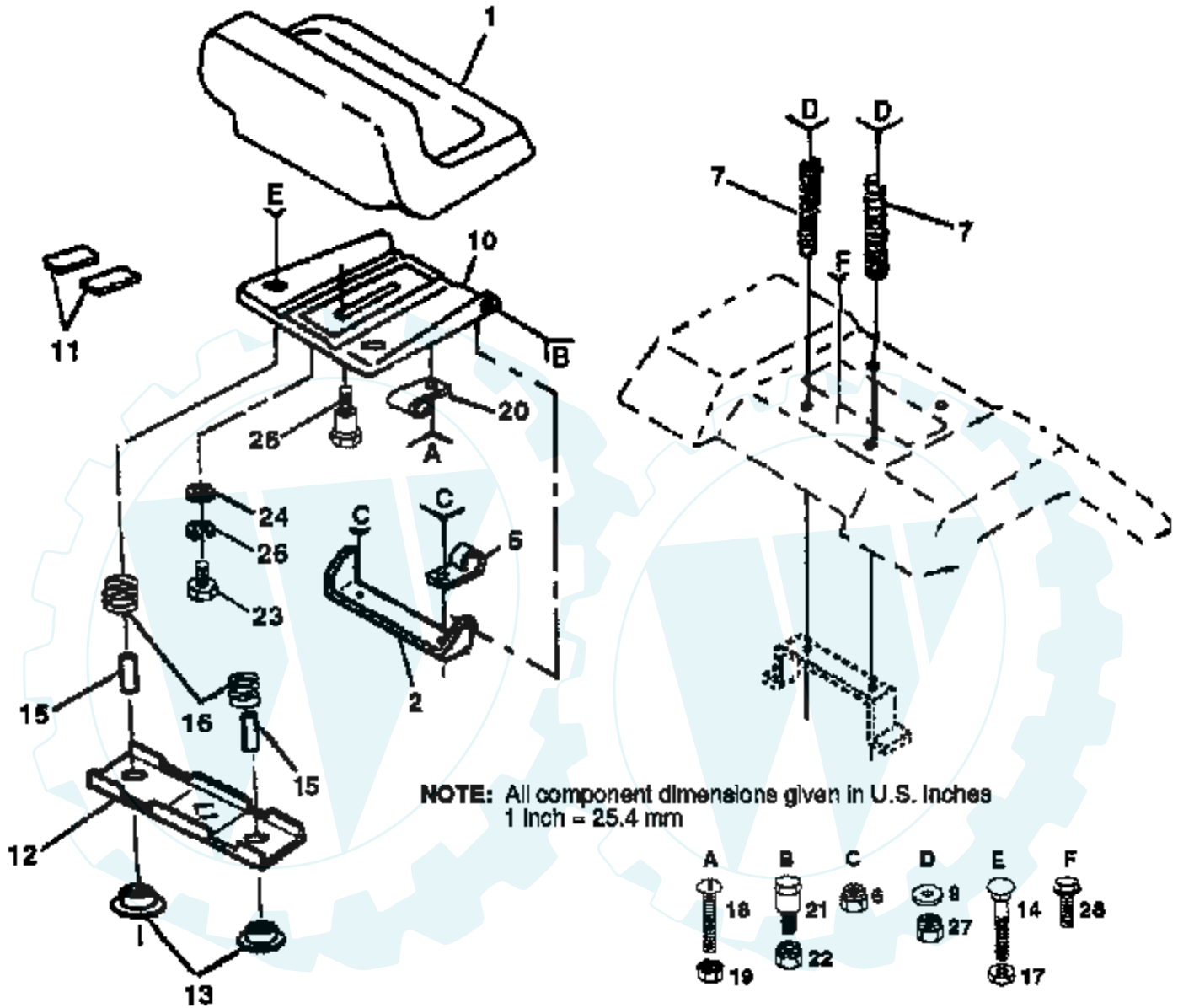
---

REFER TO IMAGE

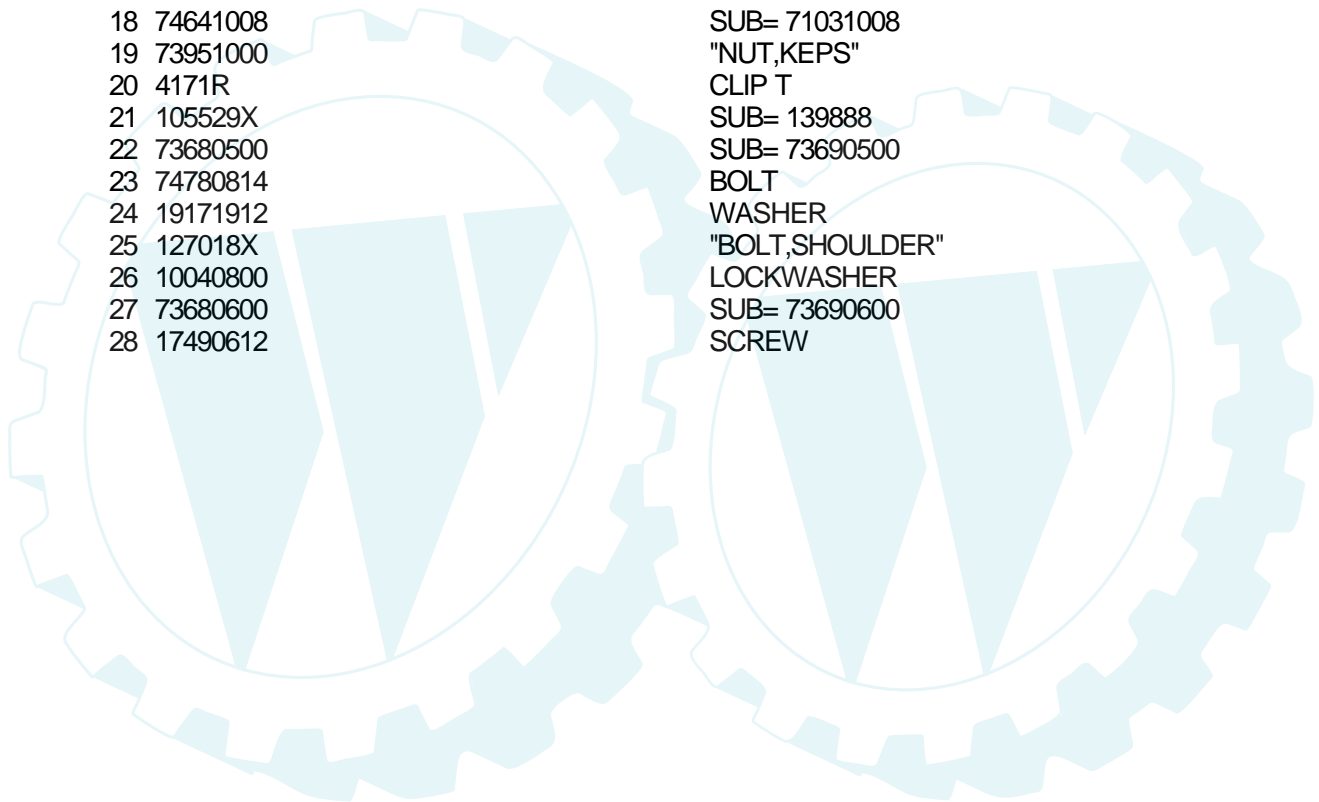


# 12.5 HP 42" TRACTOR - - MODEL NUMBER WP12542A

## SEAT ASSEMBLY

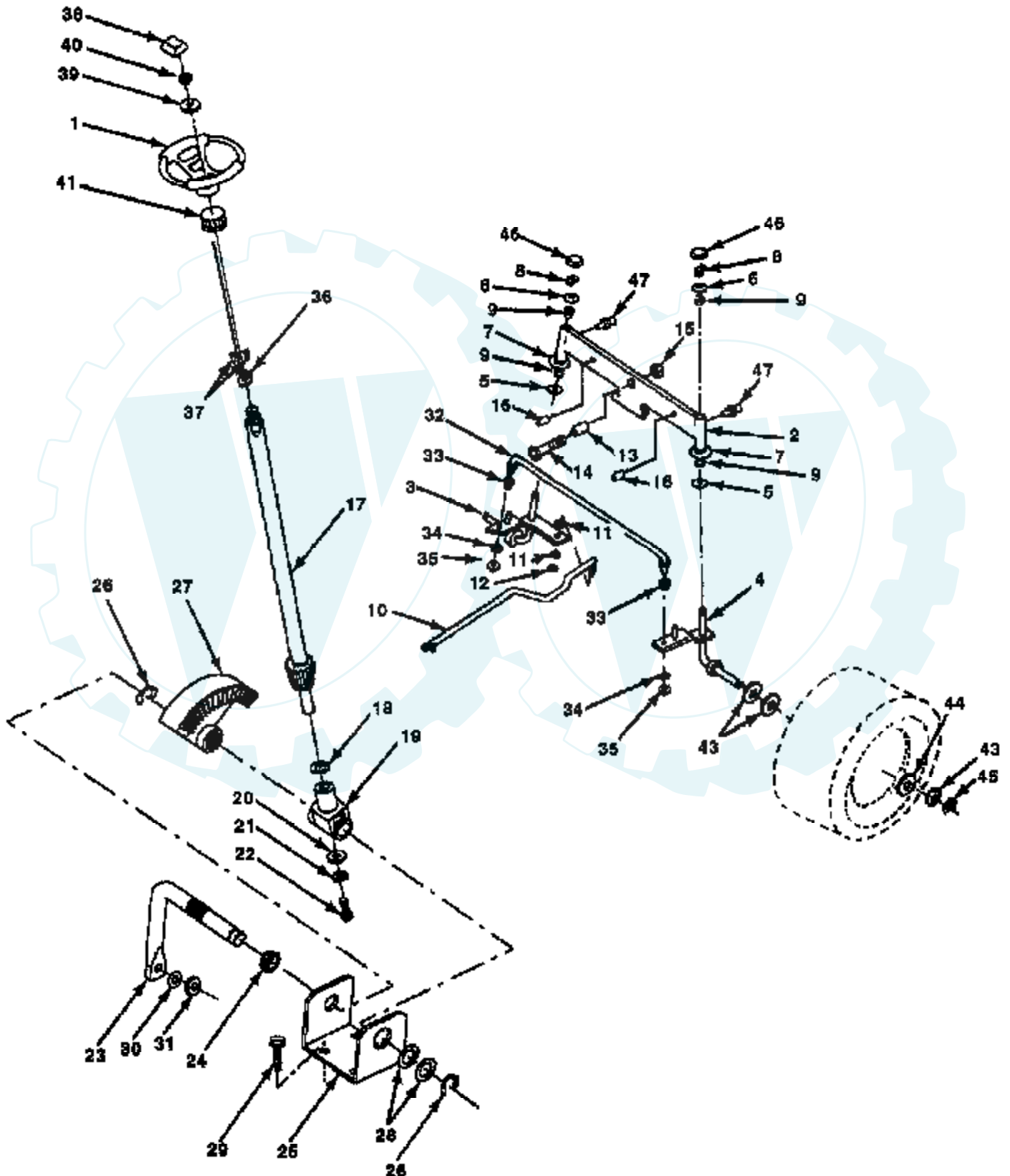


Ref #	Part Number	Qty	Description
1	127423X		SUB= 140119
2	126656X		SUB= 140551
5	2751R		CLIP T
6	73680600		SUB= 73690600
7	124181X		SPRING COMPRESSIO
9	19131614		WASHER
10	131541		SUB= 155925
11	121251X		STRIP FORM
12	121246X		BRKT SWITCH
13	121248X		BUSHING
14	72050411		SUB= 872050411
15	121249X		SPACER SPLIT
16	121250X		SPRING
17	123976X		SUB= 73900400
18	74641008		SUB= 71031008
19	73951000		"NUT,KEPS"
20	4171R		CLIP T
21	105529X		SUB= 139888
22	73680500		SUB= 73690500
23	74780814		BOLT
24	19171912		WASHER
25	127018X		"BOLT,SHOULDER"
26	10040800		LOCKWASHER
27	73680600		SUB= 73690600
28	17490612		SCREW



# 12.5 HP 42" TRACTOR - - MODEL NUMBER WP12542A

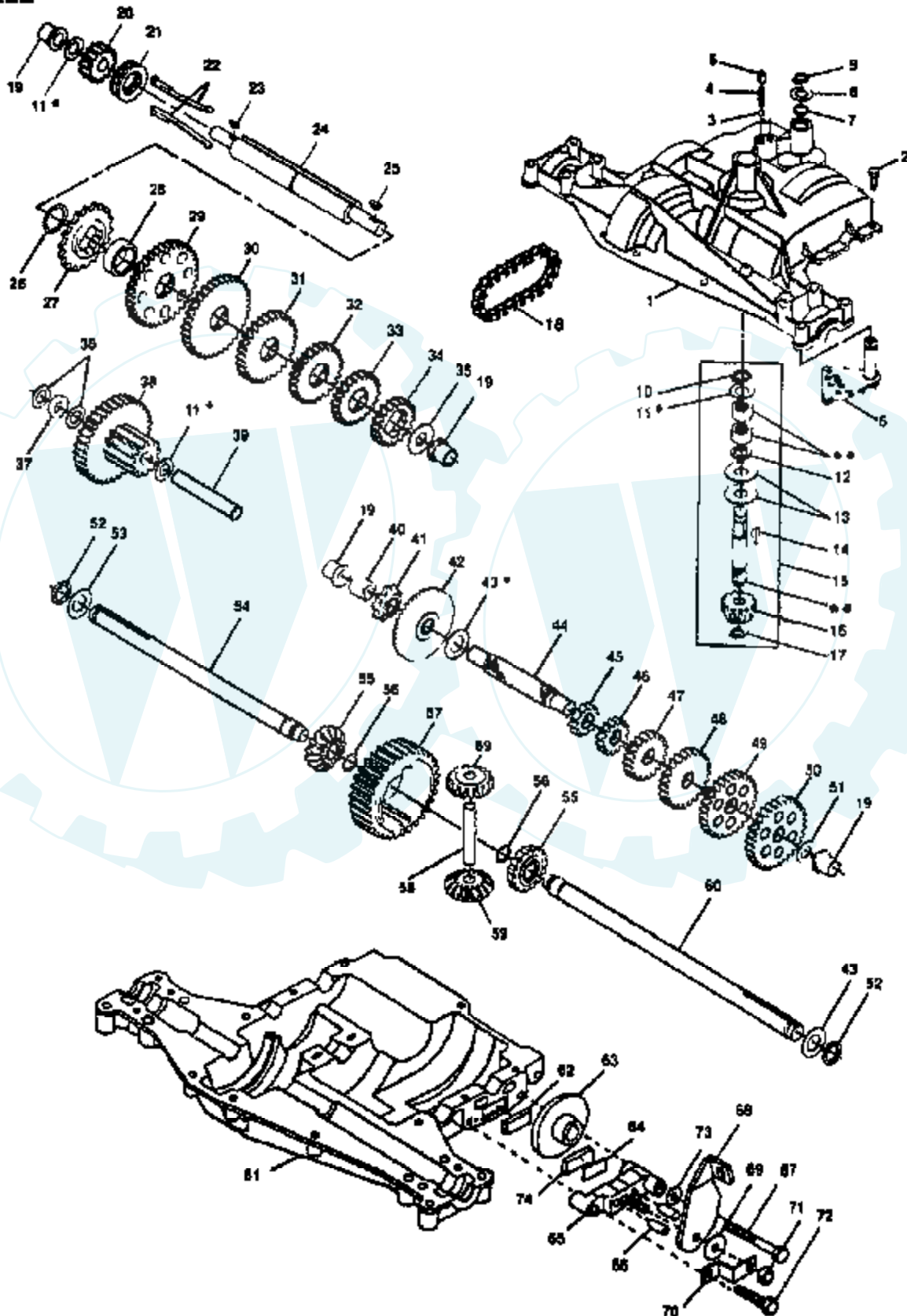
## STEERING ASSEMBLY



Ref #	Part Number	Qty	Description
1	121472X		SUB= 150546
2	133988		SUB= 142033
3	135227		SPINDLE LH
4	135228		SPINDLE RH
5	6266H		WASHER .T
6	121748X		WASHER
7	19272016		WASHER
8	12000029		RING
9	3366R		COL. SRTG. BEAR.
10	130468		SUB= 532130468
11	10040600		LOCKWASHER
12	73610600		SUB= 7810H
13	110438X		BEARING
14	74011056		BOLT HEX 5/8-11
15	73601000		SUB= 73901000
16	132624		AXLE PIN
17	128758		STEERING SHAFT
18	57079		THRUST WASHER
19	124035X		SUPPORT.SHAFT
20	126684X		SUB= 532126684
21	10040400		LOCKWASHER
22	71070410		"SCREW,SPECIAL"
23	127501		SUB= 918127501
24	109816X		NYLINER T
25	124036X		"BRKT,STEERING"
26	12000029		RING
27	124034X		SUB= 136874
28	6266H		WASHER .T
29	17490612		SCREW
30	10040600		LOCKWASHER
31	73610600		SUB= 7810H
32	130467		TIE ROD
33	19111216		WASHER M
34			UNKNOWN
35	10040500		LOCKWASHER
36	73810500		NUT.LOCK.5/16-24
37	17431008		SUB= 98000165
38	126805X		"INSERT,STR WHEEL"
39	100712K		WASHER
40	73940800		SUB= 73360800
41	100711L		ADAPTER LT
43	121749X		WASHER
44	121748X		WASHER
45	12000029		RING
46	121232X		CAP
47	6855M		ZERK M

**12.5 HP 42" TRACTOR - - MODEL NUMBER WP12542A**  
**DANA TRANSAXLE - MODEL NUMBER 4360-07**

**TRANSAXLE**



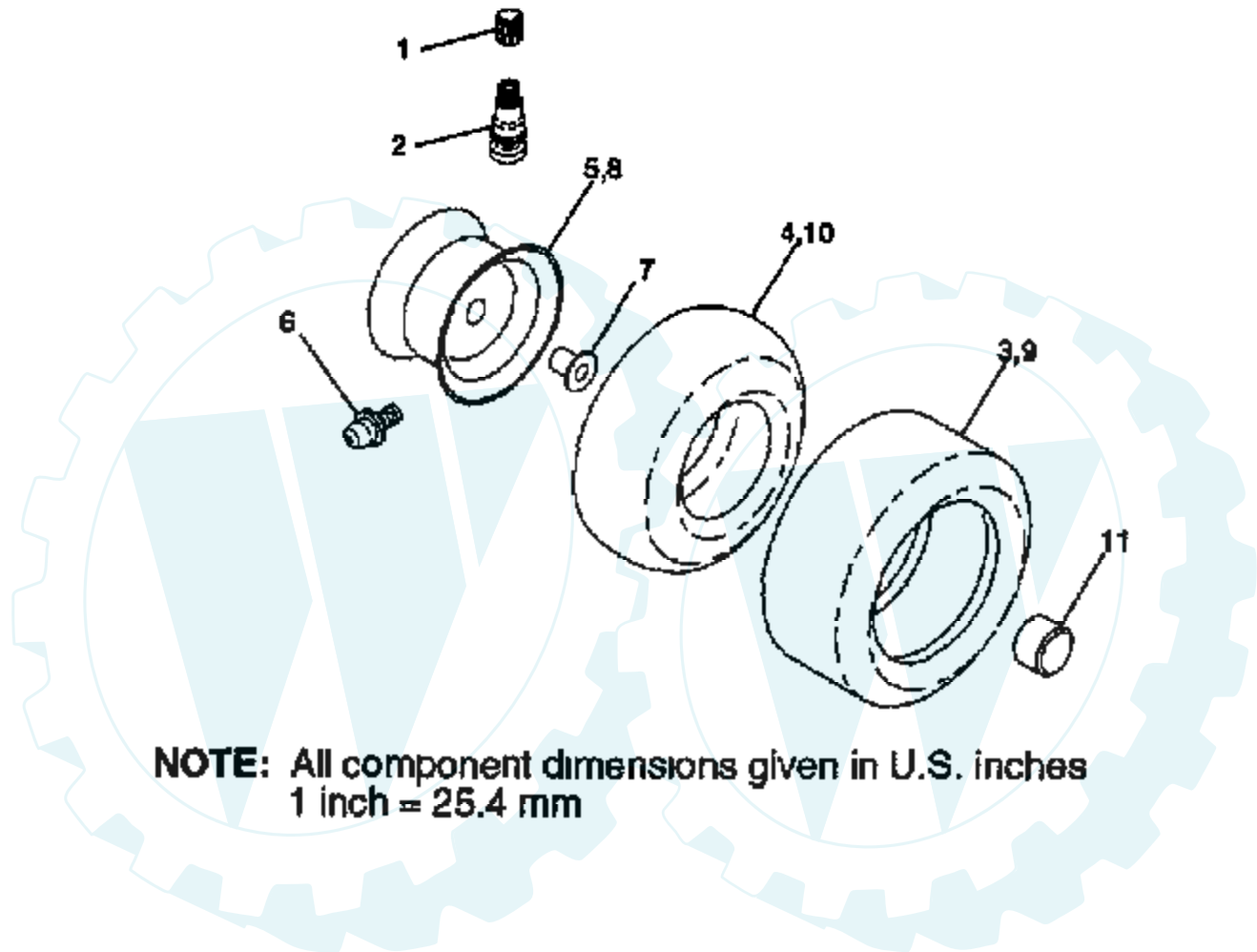
Ref #	Part Number	Qty	Description
1	3865		HOUSING UPPER
2	1919		SCREW
3	1151		BALL DETENT
4	3626		SPRING, DETENT
5	3623		SCREW, SET
6	4336		ASSY SHIFTER
7	3884		O-RING
8	3885		WASHER PLAIN
	3886		WASHER PLAIN
	3887		WASHER PLAIN
	3888		WASHER PLAIN
	3889		WASHER PLAIN
	3121		WASHER PLAIN
	3890		WASHER PLAIN
9	1100		RING RETAINING
10	1099		RING RETAINING
11	1959		WASHER PLAIN
	1441		WASHER PLAIN
	1423		WASHER, PLAIN .632 X 1.00 X .026
	1082		WASHER PLAIN
	1424		WASHER PLAIN
	1068		WASHER PLAIN
	1425		WASHER PLAIN
	1358		WASHER PLAIN
	1145		WASHER, PLAIN .632 X 1.00 X .060
	1319		WASHER PLAIN
12	3312		O-RING
13	3876		WASHER, PLAIN .632 X 1.38 X .046
14	1374		KEY WOODRUFF #9
15	4134		ASSY KIT INPUT SHAFT
16	3590		PINION, BEVEL, 14 TEETH
17	3624		RING, RETAINING
18	3625		CHAIN, 24 PITCHES
19	1542		BEARING, FLANGE
20	3773		GEAR SPUR, 14 TEETH
21	3631		COLLAR CLUTCH
22	3828		KEY CLUTCH
23	1369		KEY WOODRUFF #3
24	3883		SHAFT INTERMEDIATE
25	1375		KEY, WOODRUFF, #61
26	3627		RING, RETAINING
27	3830		SPROCKET, 18 TEETH
28	3841		SPACER
29	3786		GEAR, SPUR, 37 TEETH
30	3785		GEAR, SPUR, 35 TEETH
31	3867		GEAR, SPUR, 30 TEETH
32	3783		GEAR, SPUR, 25 TEETH
33	3869		GEAR, SPUR, 22 TEETH
34	3741		GEAR SPUR
35	3628		WASHER, PLAIN .640 X 1.37 X .061
36	1423		WASHER, PLAIN .632 X 1.00 X .026
37	3422		SPACER .630 X 1.00 X .169
38	4286		ASSY GEAR COMB 12&35 TEETH
39	3877		SHAFT IDLER
40	3901		SPACER .635 X .875 X .755
41	3645		SPROCKET, 9 TEETH
42	3853		GEAR BEVEL 42 TEETH
43	3749		WASHER PLAIN

Ref #	Part Number	Qty	Description
	3653		WASHER PLAIN
	3693		WASHER PLAIN
	3653		WASHER PLAIN
	3408		WASHER PLAIN
	3732		WASHER PLAIN
	3184		WASHER, PLAIN .758 X 1.25 X .031
	3733		WASHER PLAIN
	3198		WASHER PLAIN
	3734		WASHER PLAIN
	3735		WASHER PLAIN
	3736		WASHER PLAIN
	3180		WASHER PLAIN
44	3882		SHAFT, DRIVE
45	3646		GEAR, SPUR, 12 TEETH
46	3707		GEAR SPUR, 15 TEETH
47	3866		GEAR, SPUR, 20 TEETH
48	3719		GEAR, SPUR, 25 TEETH
49	3868		GEAR, SPUR, 28 TEETH
50	3683		GEAR, SPUR, 31 TEETH
51	1145		WASHER, PLAIN .632 X 1.00 X .060
52	3191		SEAL FELT
53	3180		WASHER PLAIN
54	3880		AXLE LEFT HAND
55	3780		GEAR, MITER, 15 TEETH
56	3656		RING, RETAINING
57	3839		GEAR, SPUR, 32 TEETH
58	3919		SHAFT, CROSS
59	3781		GEAR, MITER, 15 TEETH
60	3881		AXLE, R.H.
61	3864		HOUSING LOWER
62	3920		PUCK, FRICTION
63	3276		DISC, BRAKE
64	3758		SPACER
65	3916		JAW, BRAKE
66	3843		PIN, DOWEL
67	3915		SCREW TAPPING
68	3768		LEVER, ACTUATING
69	3760		WASHER, PLAIN .321 X 1.00 X .055
70	3917		BRACKET, ANTI-ROTATION
71	3847		LOCKNUT 5/16-24
72	3724		SCREW TAPPING
73	3906		WASHER PLAIN
74	3907		PUCK, FRICTION
75	4300		GREASE



# 12.5 HP 42" TRACTOR - - MODEL NUMBER WP12542A

## WHEELS & TIRES



**NOTE:** All component dimensions given in U.S. inches  
1 inch = 25.4 mm

Ref #	Part Number	Qty	Description
1	59192		VALVE CAP
2	65139		VALVE STEM LT
3	106222X		SUB= 122073X
4	59904		TUBE.5.3/4.5/6
5	106732X361		SUB= 106732X417
6	278H		FITTING LT
7	9040H		"FLANGE, BEARING"
8	106108X361		SUB= 106108X417
9	106268X		SUB= 122074X
10	7152J		TUBE.18X9.5-8
11	104757X		HUB CAP

