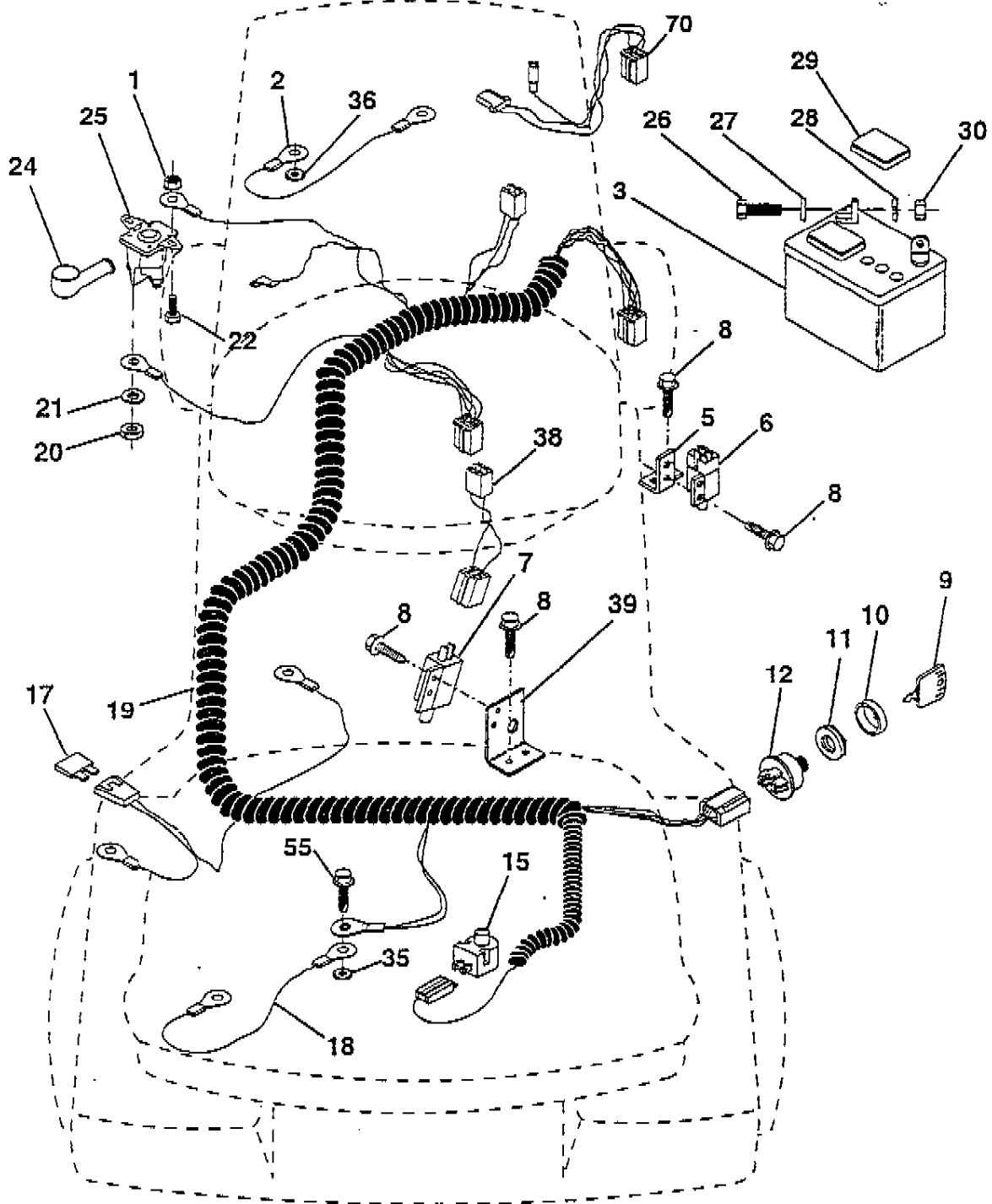


WIRING PARTS

10 HP 36" TRACTOR -- MODEL NUMBER 6A1A1B

ELECTRICAL



PAIR PARTS

10 HP 36" TRACTOR - - MODEL NUMBER 6A1A1B

ELECTRICAL

KEY NO.	PART NO.	DESCRIPTION
1	73510400	Nut, Hex, Keps 1/4-20
2	108423X	Assembly, Cable
3	133909	Battery
5	108236X	Bracket, Switch
6	109553X	Switch, Interlock, 4 Terminal
7	104445X	Switch, Interlock, 2 Terminal
8	17021008	Screw, Hex Head, Self-Tapping #10-24 x 1/2
9	140402	Key, Molded
10	141226	Cover, Ignition Key
11	140400	Nut, Ignition
12	140399	Switch, Ignition
15	121305X	Switch, Plunger
17	108824X	Fuse
18	128353	Assembly, Cable
19	143131	Harness, Ignition
20	73350400	Nut, Hex, Jam 1/4-20
21	10090400	Washer, Lock 1/4
22	74780408	Bolt, Hex, Fin. 1/4-20 UNC x 1/2 Grade 5
24	131563	Cover, Terminal
25	138406	Solenoid
26	74760412	Bolt, Hex Head 1/4-20 UNC x 3/4
27	19091016	Washer 9/32 x 5/8 x 16 Gauge
28	10040400	Washer, Lock 1/4
29	121264X	Cap, Battery
30	73220400	Nut, Hex, Fin. 1/4-20 UNC
35	11050500	Washer, Lock, External Tooth 5/16
36	11150400	Washer, Lock, Internal Tooth 1/4
38	140660	Harness Adapter
39	141735	Bracket Switch Clutch
55	17490508	Screw, Thdrol. 5/16-18 x 1/2
70	140413	Harness Engine

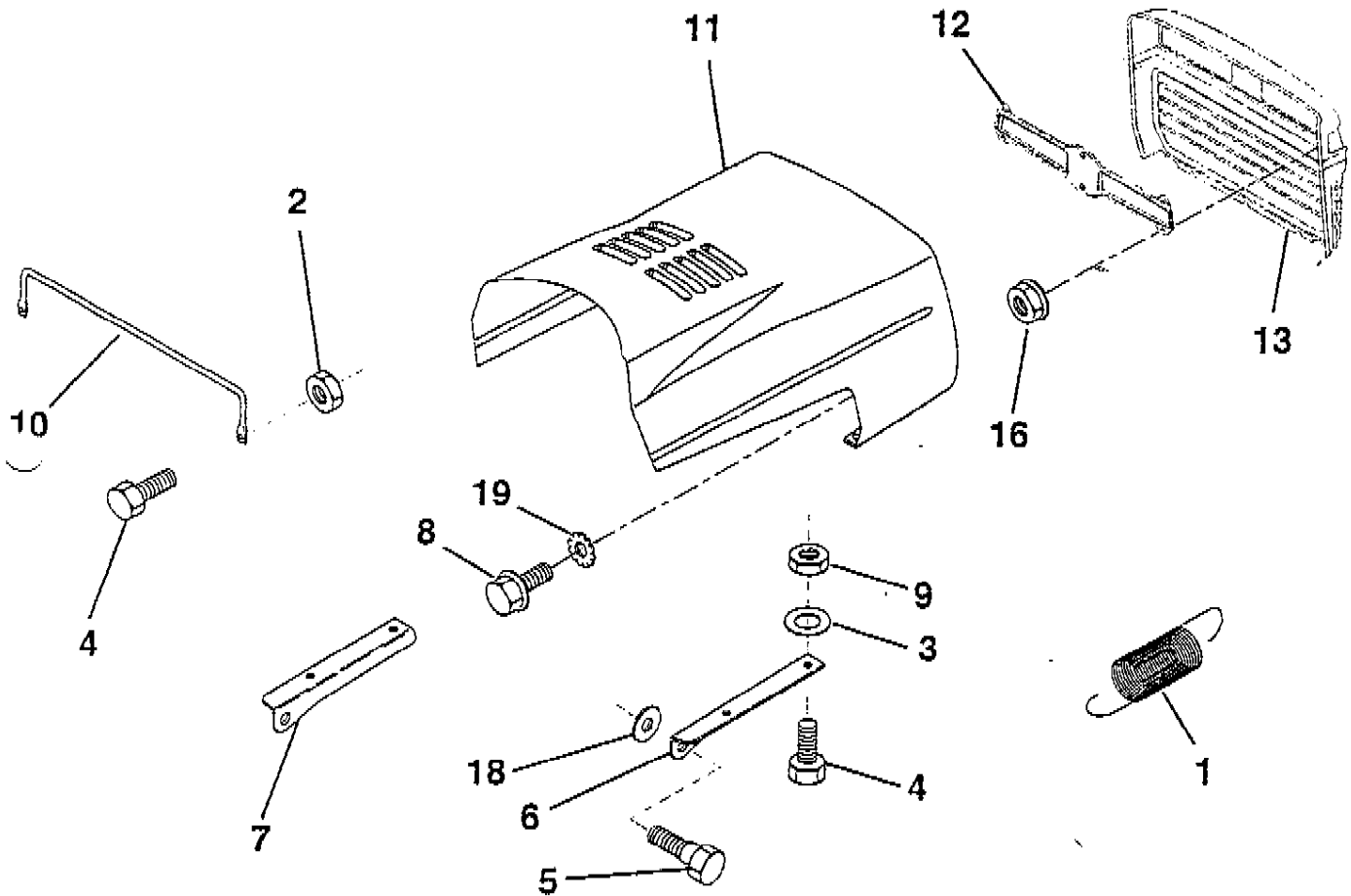
NOTE: All component dimensions given in U.S. inches
1 inch = 25.4 mm

HARDWARE SHOWN LARGER FOR EASIER IDENTIFICATION

AIR PARTS

10 HP 36" TRACTOR - - MODEL NUMBER 6A1A1B

OD



KEY NO.	PART NO.	DESCRIPTION
1	124657X	Spring, Extension
2	73510400	Nut, Hex, Keps 1/4-20 UNC
3	19091416	Washer 9/32 x 7/8 x 16 Ga.
4	74780412	Bolt, Hex, Fin 1/4-20 x 3/4 Grade 5
5	126675X	Bolt, Shoulder
6	122549X	Bracket, Hood, R.H.
7	122548X	Bracket, Hood, L.H.
8	17521310	Screw, Std. Hex Hd. W/Pl. Washer
9	73800400	Nut, Lock W/Insert 1/4-20

KEY NO.	PART NO.	DESCRIPTION
10	123693X	Brace, Hood
11	132918X505	Hood
12	127178	Lens
13	134232X428	Grill
16	124346X	Nut, Self-Threading 3/16
18	19111116	Washer 11/32 x 11/16 x 16 Ga.
19	11030400	Washer, Lock Ext/Int Tooth 1/4

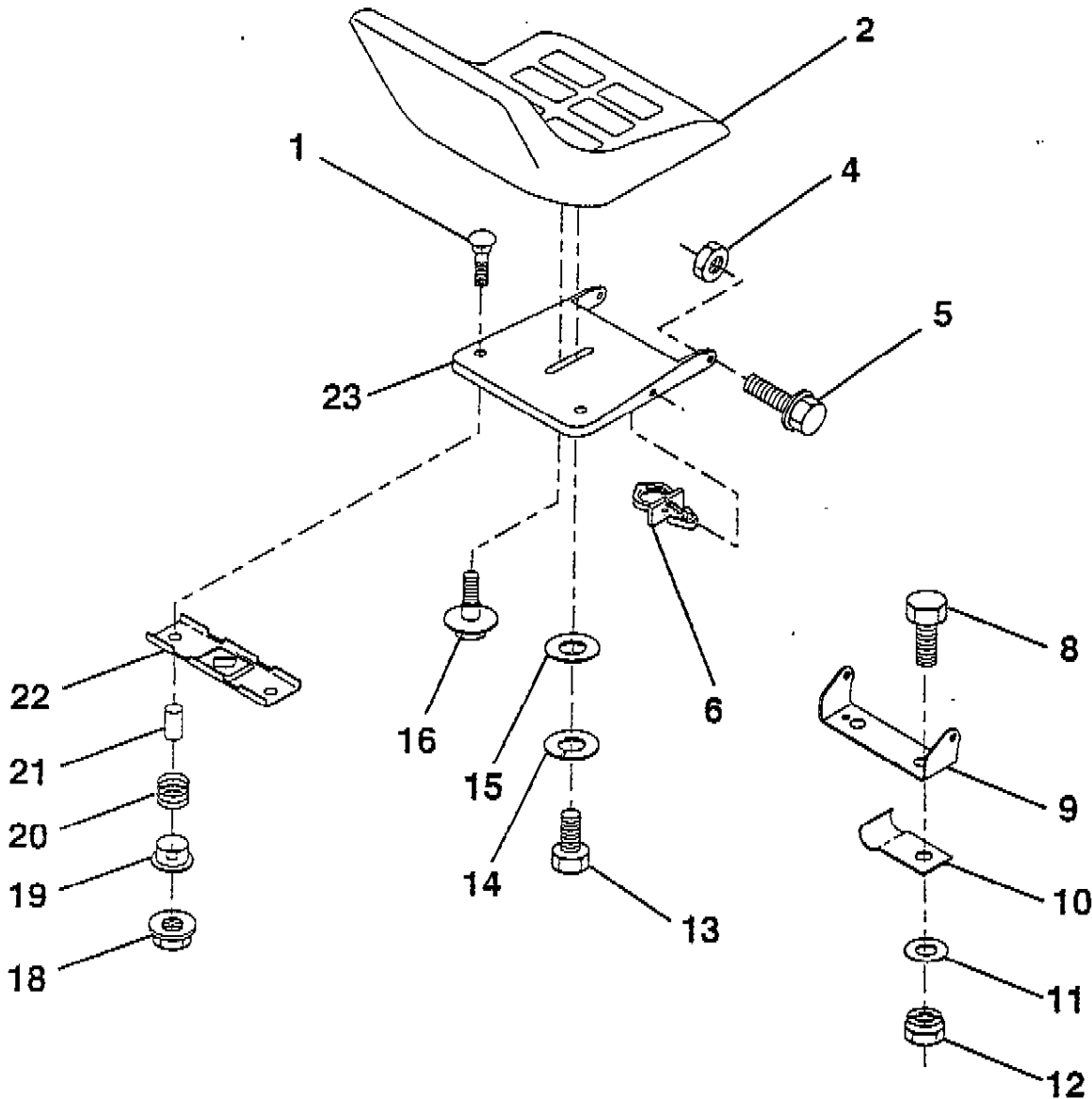
NOTE: All component dimensions given in U.S. inches.
1 inch = 25.4 mm.

HARDWARE SHOWN LARGER FOR EASIER IDENTIFICATION

REPAIR PARTS

10 HP 36" TRACTOR - - MODEL NUMBER 6A1A1B

SEAT



KEY NO.	PART NO.	DESCRIPTION
1	72050411	Bolt, Carriage 1/4-20 x 1-3/8
2	134647	Seat
4	73800500	Nut, Lock Hex W/Ins. 5/16-18
5	139888	Bolt, Shld. 5/16-18
6	140407	Clip, Push-In
8	74760616	Bolt, Hex, Fin 3/8-16 UNC x 1
9	140551	Bracket, Pivot, Seat
10	126471X	Clip, Insulated
11	19133210	Washer 13/32 x 2 x 10 Gauge
12	73800600	Nut, Lock Hex W/Wsh 3/8-16
13	74780814	Bolt, Fin Hex 1/2 - 13 x 7/8 Gr. 5

KEY NO.	PART NO.	DESCRIPTION
14	10040800	Washer Lock Hvy HLCL Spr. 1/2
15	19171912	Washer 17/32 x 13/16 x 12 Gauge
16	127018X	Bolt, Shoulder
18	123976X	Locknut, Hex, Large, Flange
19	121248X	Bushing, Snap
20	121250X	Spring, Compression
21	134300	Spacer, Split, Large .28 Id. x .96
22	121246X	Bracket, Switch, Mounting
23	140552	Pan, Seat

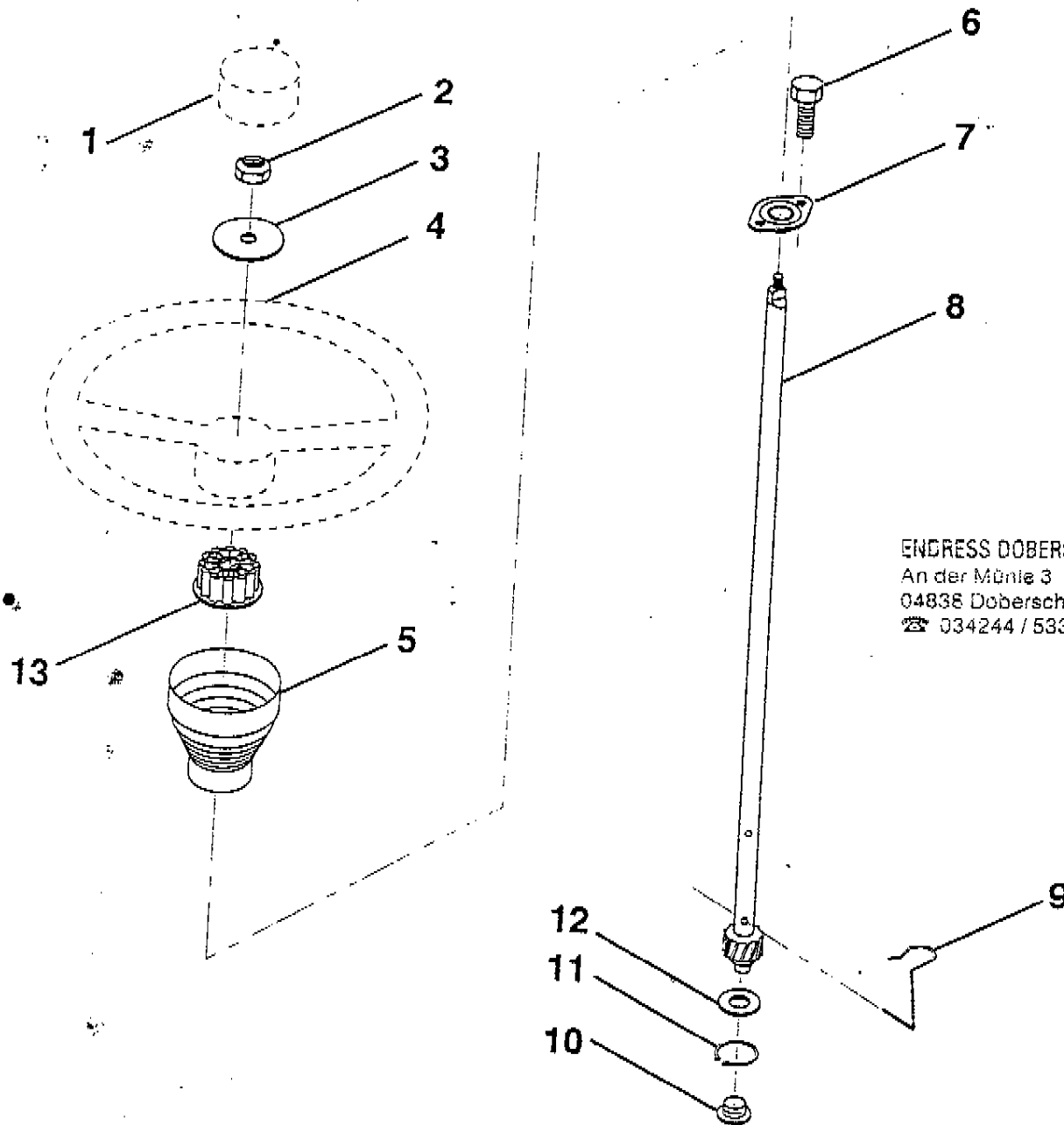
NOTE: All component dimensions given in U.S. inches.
1 inch = 25.4 mm.

HARDWARE SHOWN LARGER FOR EASIER IDENTIFICATION

PAIR PARTS

10 HP 36" TRACTOR -- MODEL NUMBER 6A1A1B

STEERING WHEEL



ENDRESS DOBERSCHÜTZ GmbH
 An der Mühle 3
 04838 Doberschütz
 ☎ 034244 / 533-0, Fax 50368

PART NO.	DESCRIPTION
133742	Insert, Steering Wheel
7810H	Locknut 3/8-24 UNF
19133808	Washer 13/32 x 2-3/8 x 8 Ga.
133741	Wheel, Steering
121897X	Sleeve, Steering
17431008	Screw, Hex Self-Tapping #10-16 x 1/2
102803X	Bushing, Steering

KEY NO.	PART NO.	DESCRIPTION
8	123651X	Shaft, Steering
9	124210X	Clip, Steering
10	123438X	Bushing, Lower, Steering
11	12000045	Ring, Retaining
12	19211616	Washer 21/32 x 1 x 16 Ga.
13	104820X	Adaptor, Steering Wheel

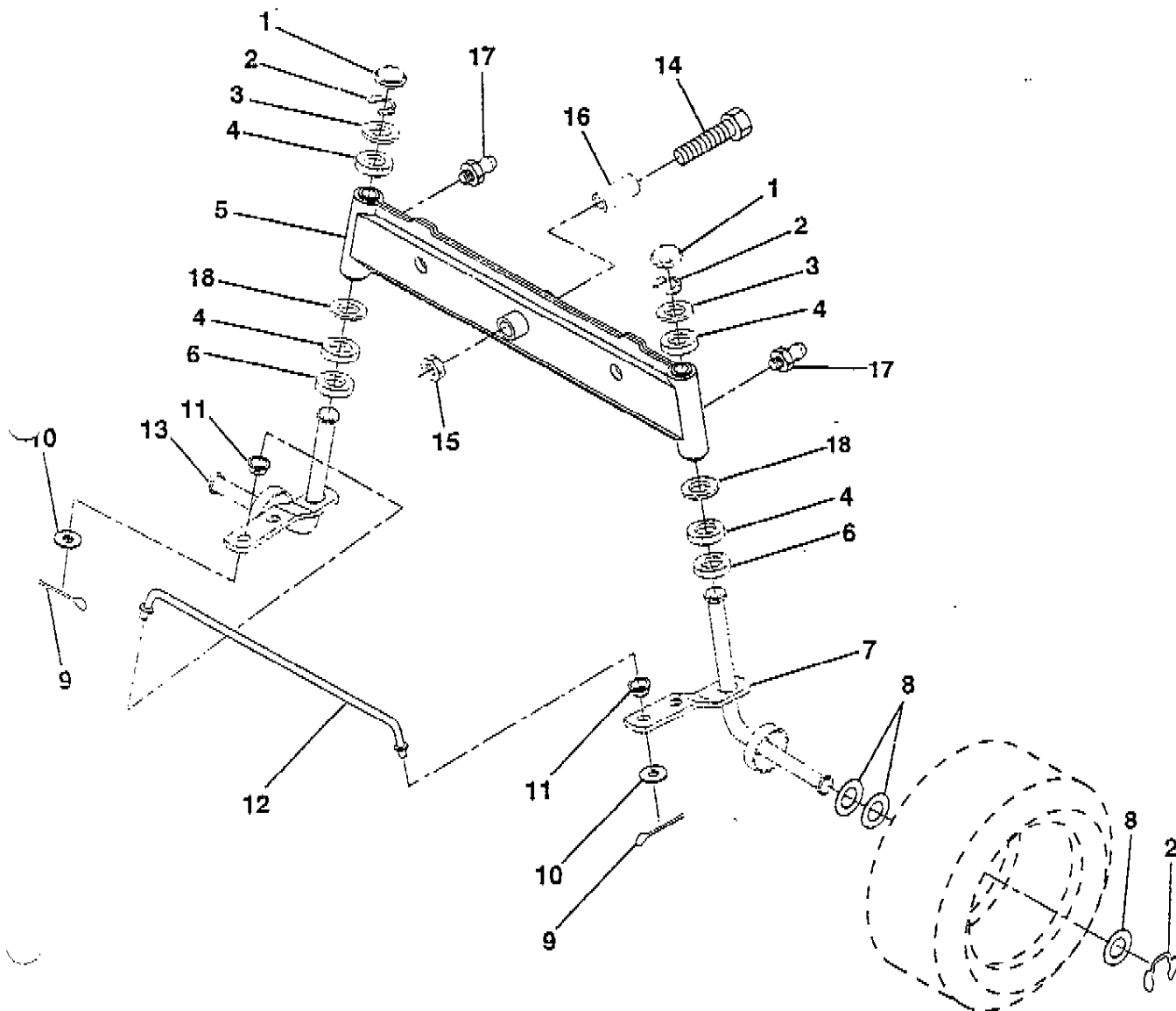
NOTE: All component dimensions given in U.S. inches.
 1 inch = 25.4 mm.

HARDWARE SHOWN LARGER FOR EASIER IDENTIFICATION

REPAIR PARTS

10 HP 36" TRACTOR - - MODEL NUMBER 6A1A1B

FRONT AXLE



KEY NO.	PART NO.	DESCRIPTION
1	121232X	Cap, Spindle
2	12000029	Ring, Klip
3	121748X	Washer 25/32 x 1-5/8 x 16 Gauge
4	3366R	Bearing
5	142033	Axle, Front
6	6266H	Bearing, Thrust
7	137062	Spindle Assembly, R.H.
8	121749X	Washer 25/32 x 1-1/4 x 16 Gauge
9	76020412	Pin, Cotter 1/8 x 3/4
10	19131316	Washer 13/32 x 13/16 x 16 Gauge

KEY NO.	PART NO.	DESCRIPTION
11	126847X	Bushing
12	130465	Rod, Tie
13	137061	Spindle Assembly, L.H.
14	74011056	Bolt, Hex 5/8-11 x 3-1/2
15	73901000	Nut, Lock Flange 5/8-11
16	110438X	Spacer
17	6855M	Fitting, Grease
18	19272016	Washer 27/32 x 1-1/4 x 16 Ga.

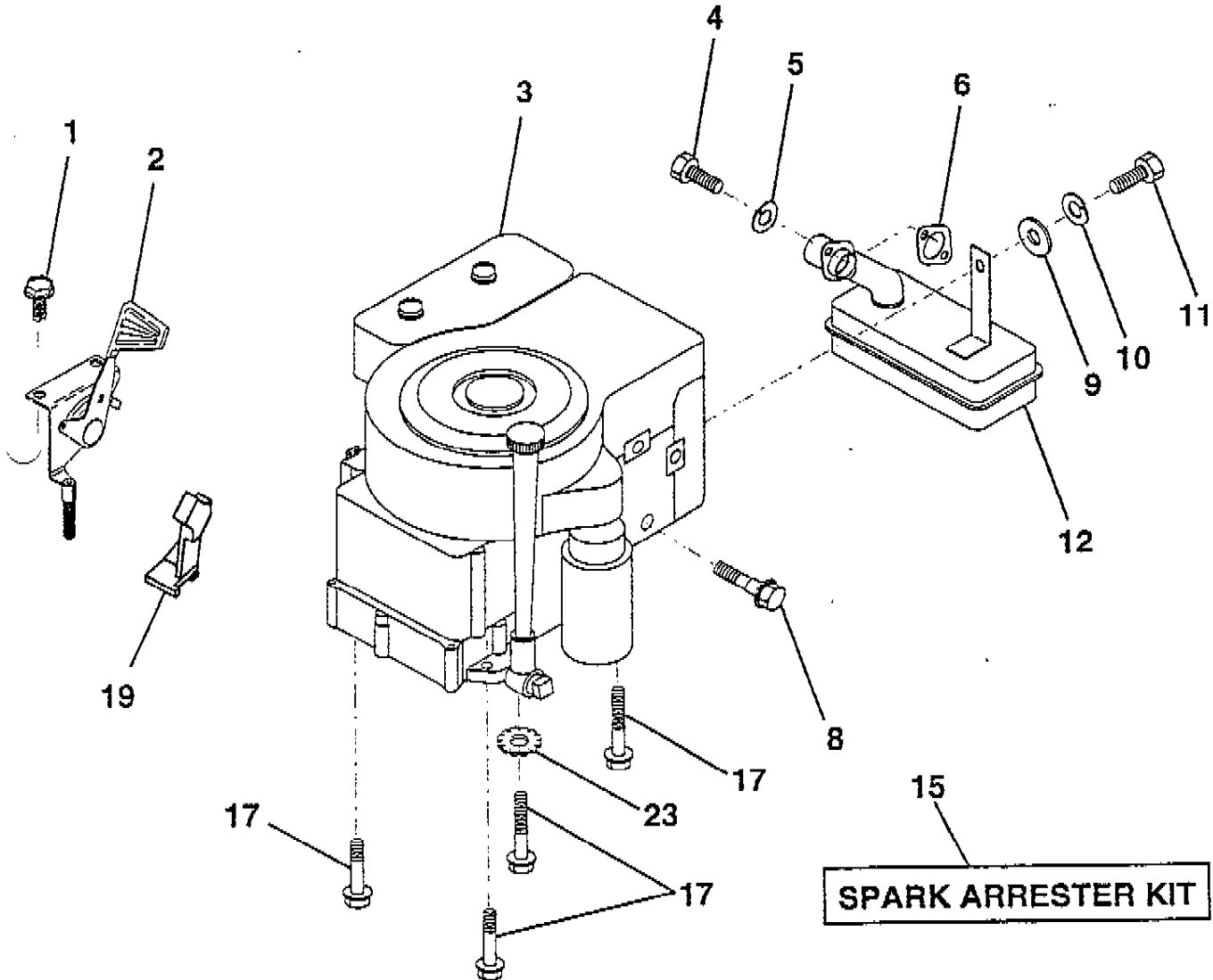
NOTE: All component dimensions given in U.S. inches.
1 inch = 25.4 mm.

HARDWARE SHOWN LARGER FOR EASIER IDENTIFICATION

REPAIR PARTS

10 HP 36" TRACTOR -- MODEL NUMBER 6A1A1B

ENGINE / THROTTLE



KEY NO.	PART NO.	DESCRIPTION
1	17060408	Screw, Hex, Thread Cutting 1/4-20 x 1/2
2	133025	Control, Throttle
3	-----	Engine, B&S, 10 HP, model #28A707
4	71070512	Screw, Hex Hd
5	10040500	Washer, Lock, Heavy Helical Spring 5/16
	125593X	Gasket, Exhaust
	121094X	Bolt, Shoulder 5/16 UNC
9	19101216	Washer 5/16 x 3/4 x 16 Gauge

KEY NO.	PART NO.	DESCRIPTION
10	10040400	Washer, Lock, Hvy Helical Spr. 1/4
11	-----	Bolt, Hex, Fin (Order from the Engine Manufacturer)
12	137437	Muffler
15	137180	Kit, Spark Arrester (Optional)
17	17490624	Screw, Hex Washer Head, Thd. Roll. 3/8-16 x 1-1/2
19	127951	Stop, Choke
23	11050600	Washer Lock Ext. Tooth 3/8

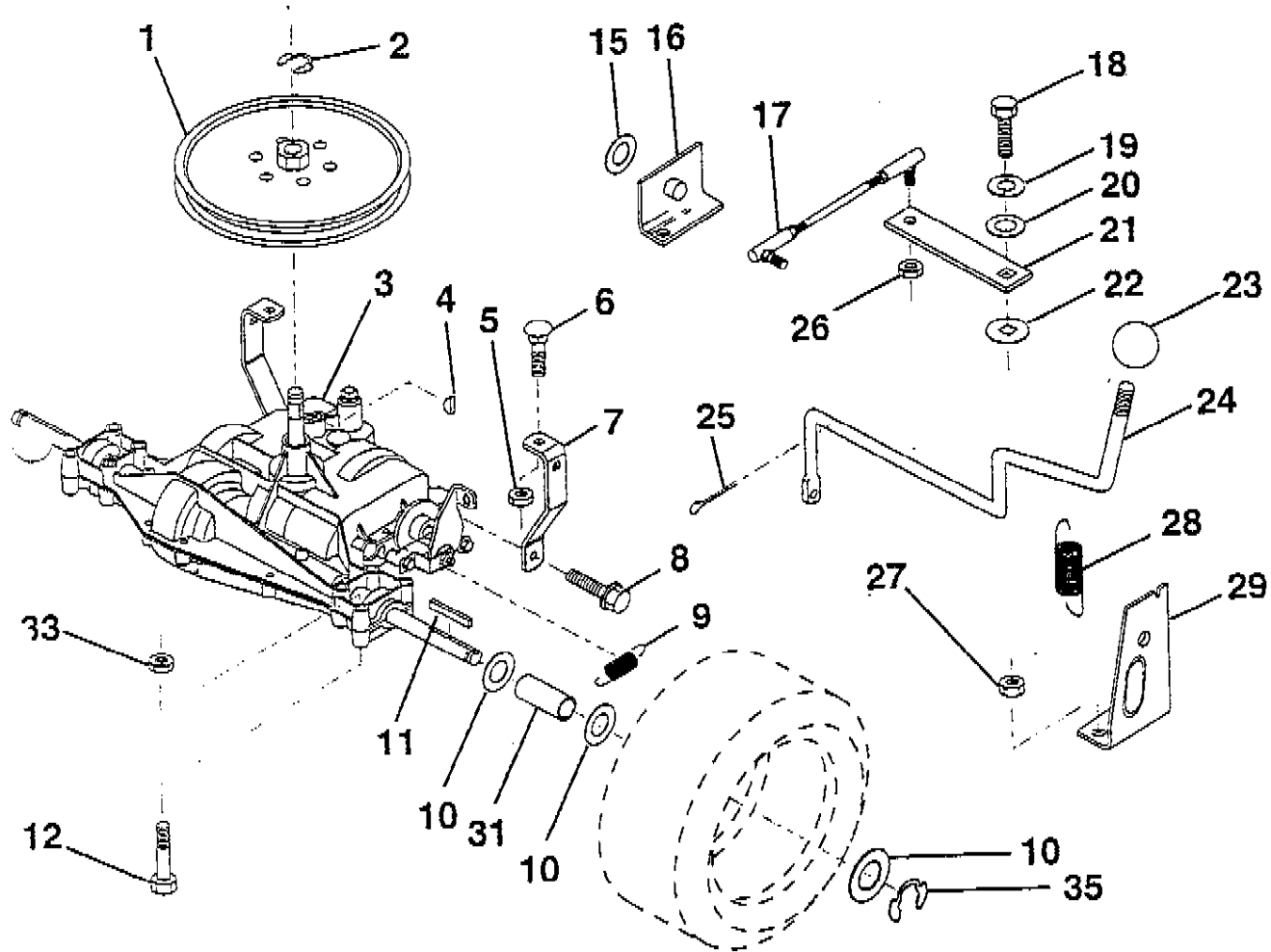
NOTE: All component dimensions given in U.S. inches.
1 inch = 25.4 mm.

HARDWARE SHOWN LARGER FOR EASIER IDENTIFICATION

REPAIR PARTS

10 HP 36" TRACTOR -- MODEL NUMBER 6A1A1B

TRANSAXLE



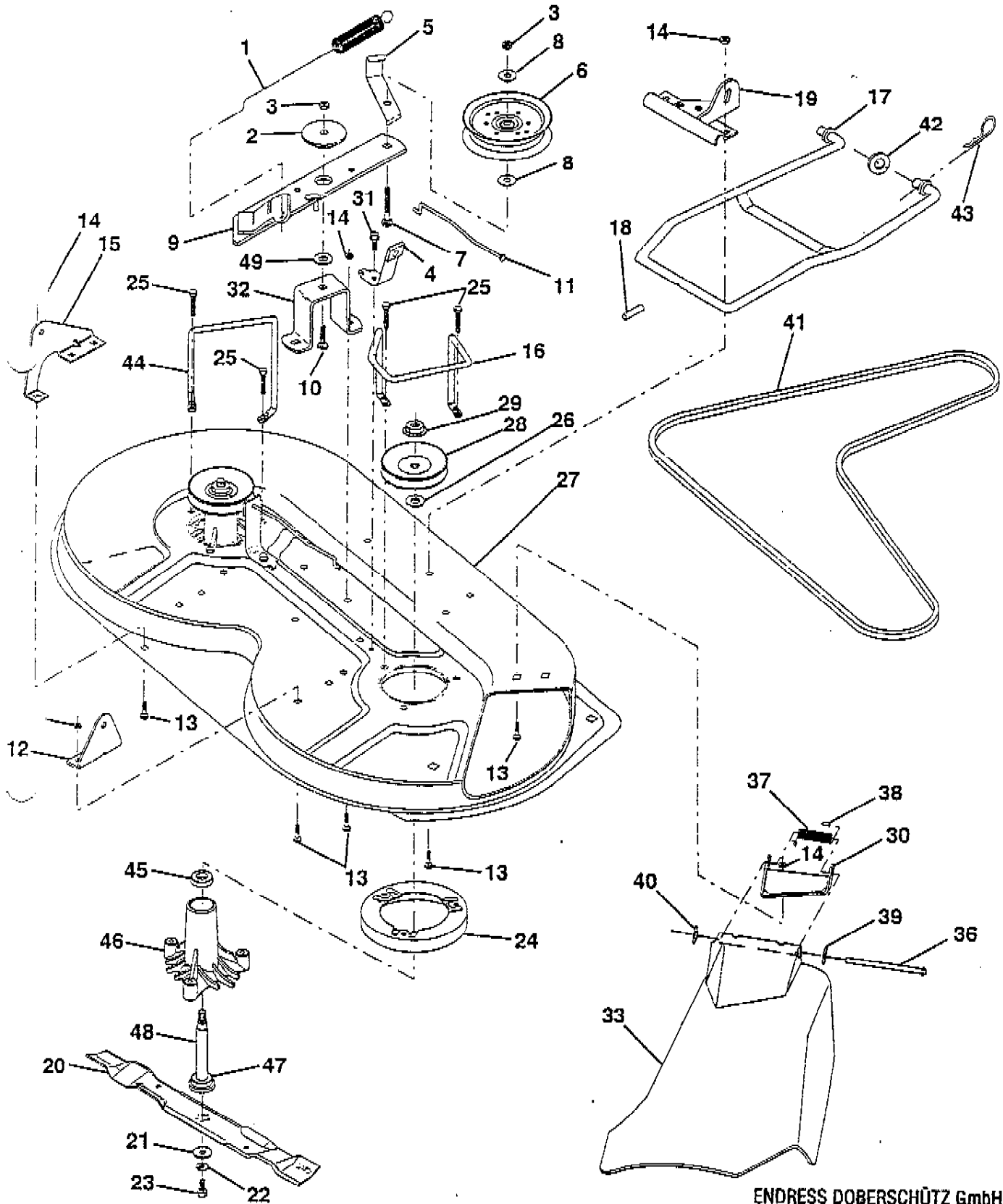
KEY NO.	PART NO.	DESCRIPTION	KEY NO.	PART NO.	DESCRIPTION
1	123385X	Pulley	19	10040400	Washer, Lock 1/4
2	12000028	Ring, Retainer	20	19091210	Washer 9/32 x 3/4 x 10 Gauge
3	142602	Transaxle Model Number 4360-78	21	123484X	Arm, Shift
4	2228M	Key, Woodruff #9	22	105701X	Washer, Shift Plate
5	73800500	Nut, Lock Hex 5/16-18	23	106933X	Knob
6	72140506	Bolt, Carriage 5/16-18 UNC x 3/4	24	128215	Rod, Shift
7	123378X	Strap, Torque	25	76020416	Pin, Cotter 1/8 x 1
8	17490512	Screw 5/16-18 x 3/4	26	73810500	Nut, Hex, Nylon 5/16-24 UNF
9	110422X	Spring, Brake	27	73510500	Nut, Keps 5/16-18
10	121749X	Washer 25/32 x 1-1/4 x 16 Gauge	28	128085	Spring, Extension
11	123583X	Key, Square	29	128084	Support, Handle, Shift, R.H.
12	74760644	Bolt Fin Hex 5/16-18 x 2-1/2	31	109502X	Spacer, Split
13	19171616	Washer 17/32 x 16 Ga.	33	73800600	Nut, Lock Hex w/Wsh 3/8-16
14	124600X	Support, Handle Shift	35	12000001	E-Ring
15	123632X	Link, Shift	NOTE: All component dimensions given in U.S. inches.		
16	71040412	Bolt, Hex, Fin. 1/4-28UNFx3/4 Gr. 8	1 inch = 25.4 mm.		

HARDWARE SHOWN LARGER FOR EASIER IDENTIFICATION

REPAIR PARTS

10 HP 36" TRACTOR -- MODEL NUMBER 6A1A1B

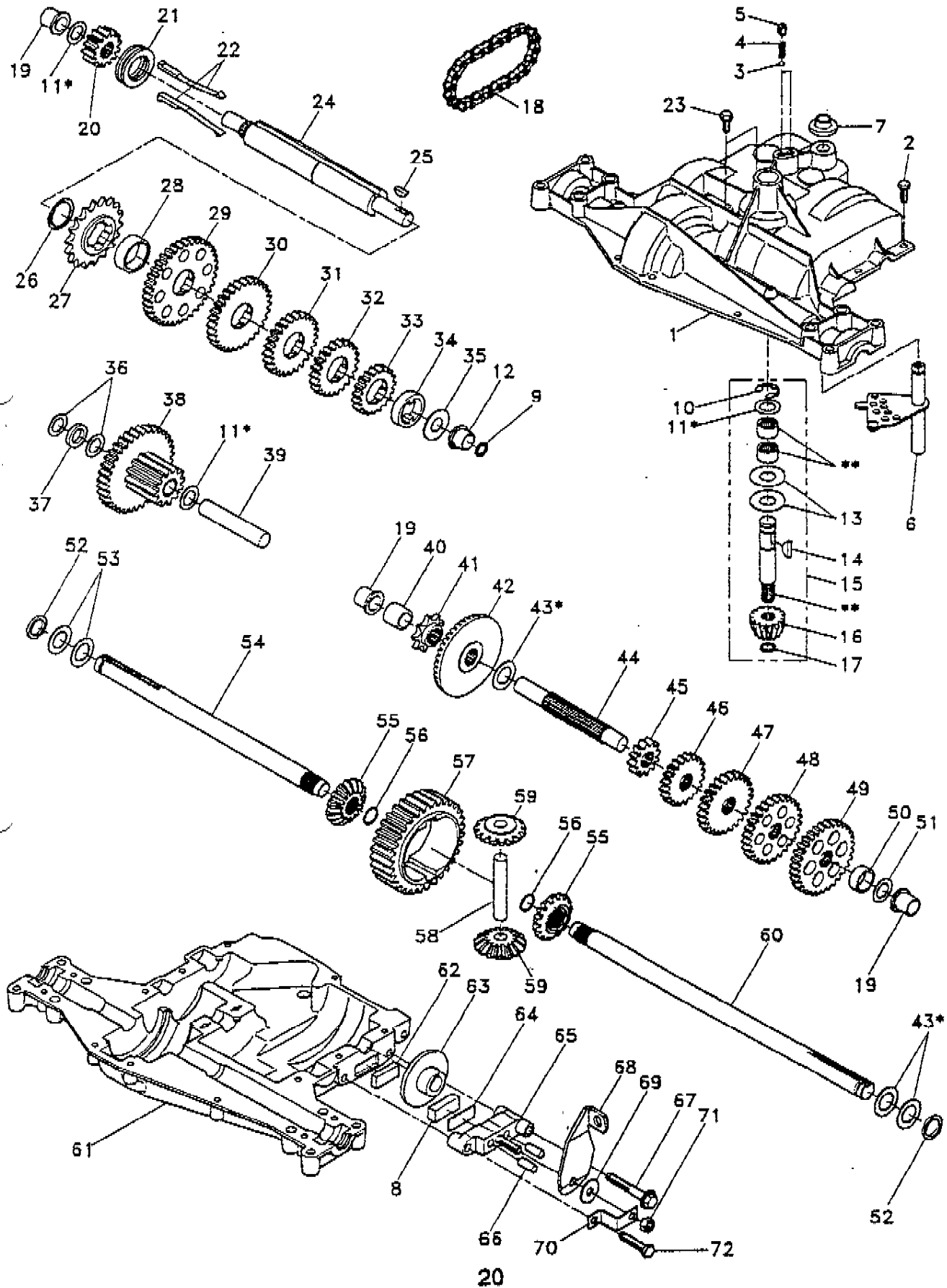
MOWER DECK



REPAIR PARTS

10 HP 36" TRACTOR -- MODEL NUMBER 6A1A1B

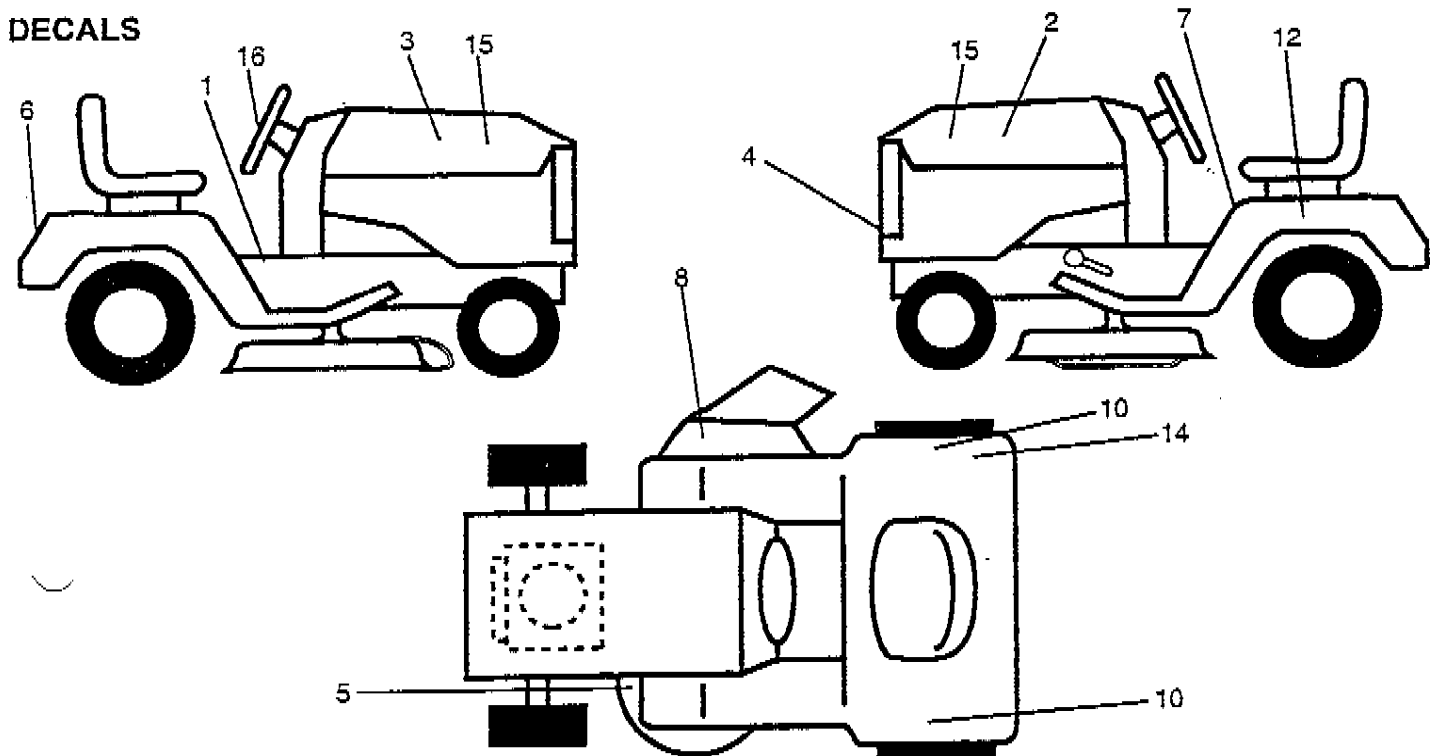
ANA TRANSAXLE - MODEL NUMBER 4360-78



REPAIR PARTS

10 HP 36" TRACTOR -- MODEL NUMBER 6A1A1B

DECALS

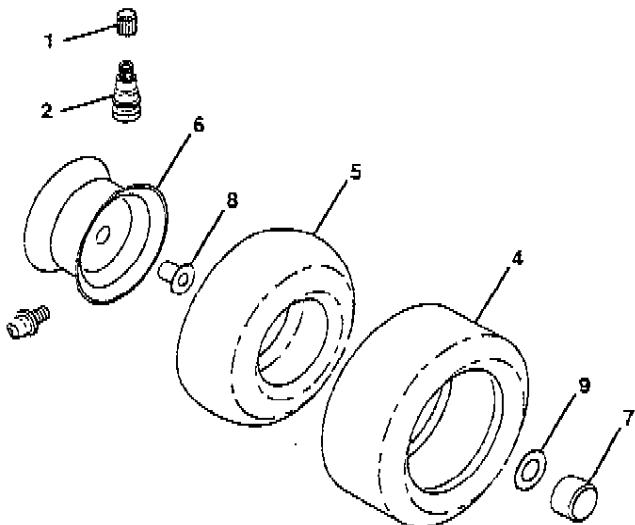


KEY NO.	PART NO.	DESCRIPTION	KEY NO.	PART NO.	DESCRIPTION
1	138269	Decal, Inst. Oper. E/F	16	127075	Decal, Wheel Steering
2	141744	Decal, Stripe, Hood, L.H.	--	126194X	Decal, Caut. Def. (Eng/Fr/Ger/Dut)
3	141743	Decal, Stripe, Hood, R.H.	--	126347X	Decal, Warn. Deflect (Span/Ital)
4	132627	Decal, Grill	--	126348X	Decal, Inst. Warn. (Span/Ital)
5	136830	Decal, V-Belt Sch.	--	138270	Decal, Inst. Warn. (Sw/Nor/Dan/Fin)
6	132628	Decal, Fender	--	138269	Decal, Inst. Oper. LR (Eng/Fr)
7	133795	Decal, Caution	--	126193X	Decal, Warn. Def. (Sw/Nor/Dan/Fin)
	137259	Decal, Warning	--	138271	Decal, Inst. Warn. (Fr/Ger/Eng/Dut)
10	138804	Decal, Fend. Quickshf.	--	138698	Manual, Operator's (Eng)
12	121549X	Decal, Caution, Battery	--	138699	Manual, Operator's (Fr)
14	125690X	Decal 100 Db	--	144653	Manual, Repair Parts (Eng/Fr)
1	139183	Decal, Hood Insert			

Available accessories not included with tractor:

- CE36 Grass Catcher
- MP36 Mulcher Plate

TIRES & WHEELS

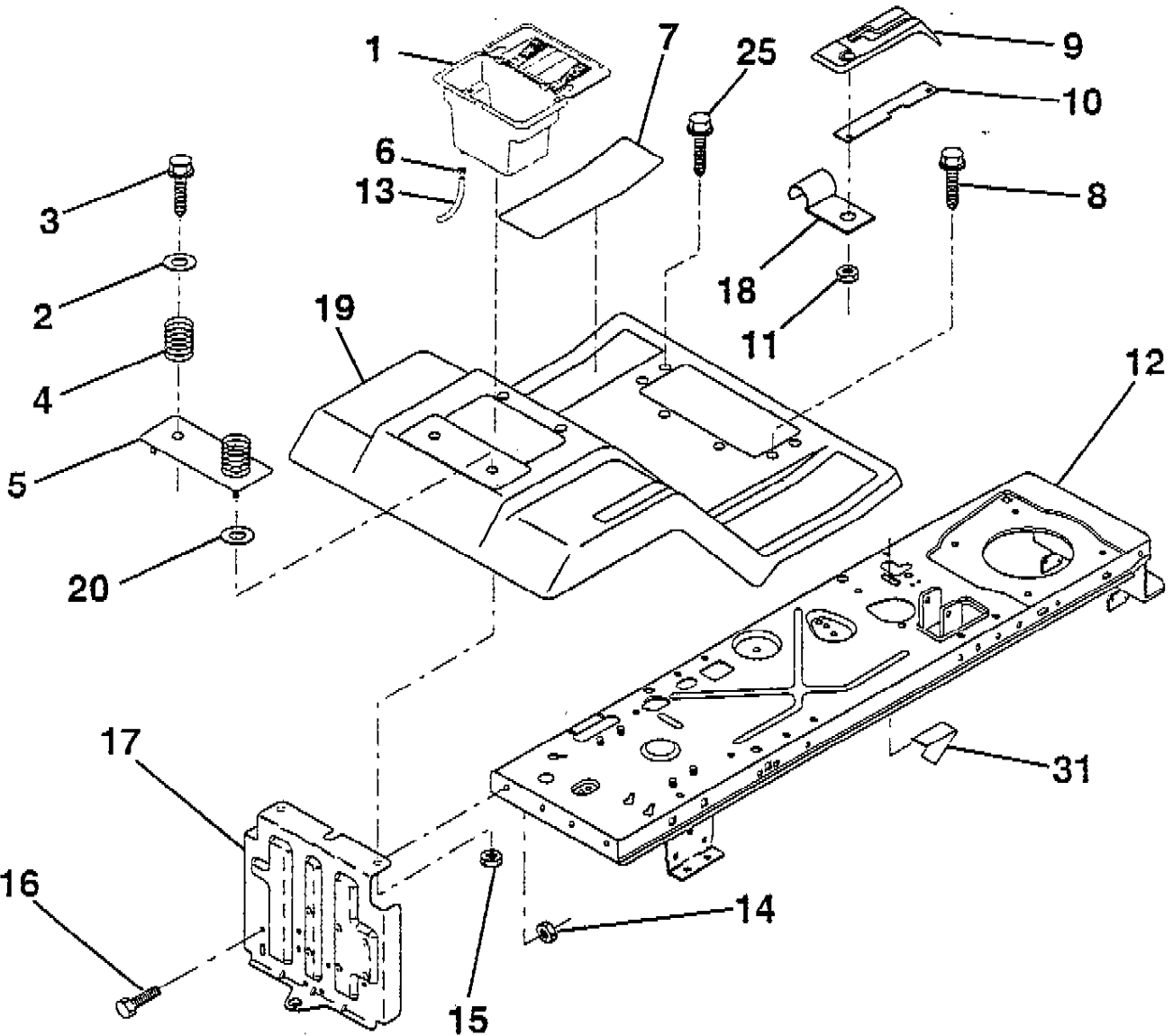


KEY NO.	PART NO.	DESCRIPTION
1	59192	Cap, Valve
2	65139	Stem, Valve
3	278H	Fitting, Grease (Front Only)
4	124142X	Tire, Front
	124143X	Tire, Rear
5	59904	Tube, Tire, Front
		(Optional, Service Item Only)
	8134H	Tube, Tire, Rear
		(Optional, Service Item Only)
6	122394X427	Rim Assembly, Front
	140325X427	Rim Assembly, Rear
7	104757X	Cap, Axle
8	9040H	Bearing, Flange (Front Only)
9	121748X	Washer, Axle Cap

REPAIR PARTS

10 HP 36" TRACTOR -- MODEL NUMBER 6A1A1B

FENDER / CHASSIS



KEY NO.	PART NO.	DESCRIPTION
1	129965	Case, Battery
2	19132012	Washer 13/32 x 1-1/4 x 12 Gauge
3	17490612	Screw, Hex Washer Head, Thd. Roll. 3/8-16 x 3/4
4	124181X	Spring, Compression, Seat
5	127115X505	Plate, Battery
6	109596X	Clamp, Hose
7	124144X	Pad, Footrest
8	17490512	Screw, Hex Washer Head, Thd. Roll. 5/16-18 x 3/4
9	126994X	Console, Shift Control
10	139783	Bar, Shift Lock
11	124346X	Nut, Self-Threading 3/16

KEY NO.	PART NO.	DESCRIPTION
12	140784	Assembly, Frame
13	109238X	Tube, Battery Drain
14	73800500	Nut, Lock Hex W/Ins. 5/16-18
15	73510400	Nut, Hex, Keps 1/4-20
16	74760512	Bolt, Hex 5/16-18 UNC x 3/4
17	140782	Drawbar
18	126470X	Clip, Insulated
19	140955X505	Fender/Footrest
20	19091413	Washer 9/32 x 7/8 x 13 Gauge
25	17490516	Scr.-Hx Wsh Thd Rol 5/16-18 x 1T
31	141736	Switch, Actuator

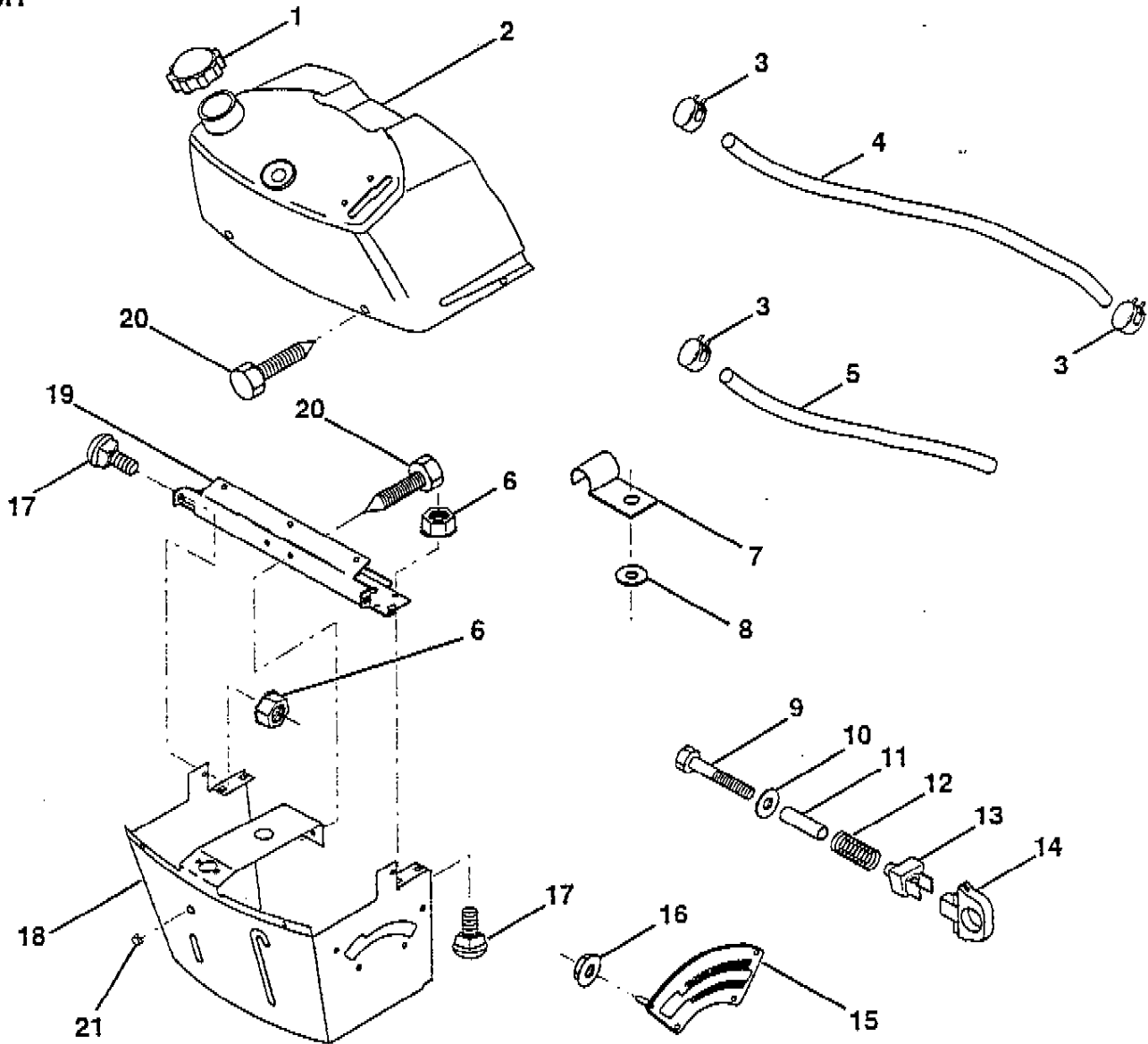
NOTE: All component dimensions given in U.S. inches.
1 inch = 25.4 mm.

HARDWARE SHOWN LARGER FOR EASIER IDENTIFICATION

REPAIR PARTS

10 HP 36" TRACTOR - - MODEL NUMBER 6A1A1B

DASH



KEY NO.	PART NO.	DESCRIPTION
1	141523	Cap, Fuel
2	138393	Assembly, Dash & Fuel Tank
3	123487X	Clamp, Hose
4	8544R	Line, Fuel
5	8548R	Line, Fuel
6	73510400	Nut, Hex, Keps 1/4-20
7	2751R	Clip, Fuel Line
8	19091216	Washer 9/32 x 3/4 x 16 Gauge
9	74760428	Bolt, Hex, Fin. 1/4-20 x 1-3/4
10	19091413	Washer 11/32 x 11/16 x 16 Gauge
11	121249X	Spacer, Split

KEY NO.	PART NO.	DESCRIPTION
12	3720R	Spring
13	126450X	Clip, Height Adjustment
14	126115X	Knob, Height Stop
15	122023X	Adjustment, Quadrant Height
16	124346X	Nut, Self-Threading 3/16-18
17	72110404	Bolt, Carriage 1/4-20 x 1/2 Grade 5
18	130745	Support Assembly, Dash
19	134744	Brace, Cross
20	17060408	Screw, Tap 1/4-20 x 1/2
21	134014	Plug, Dome

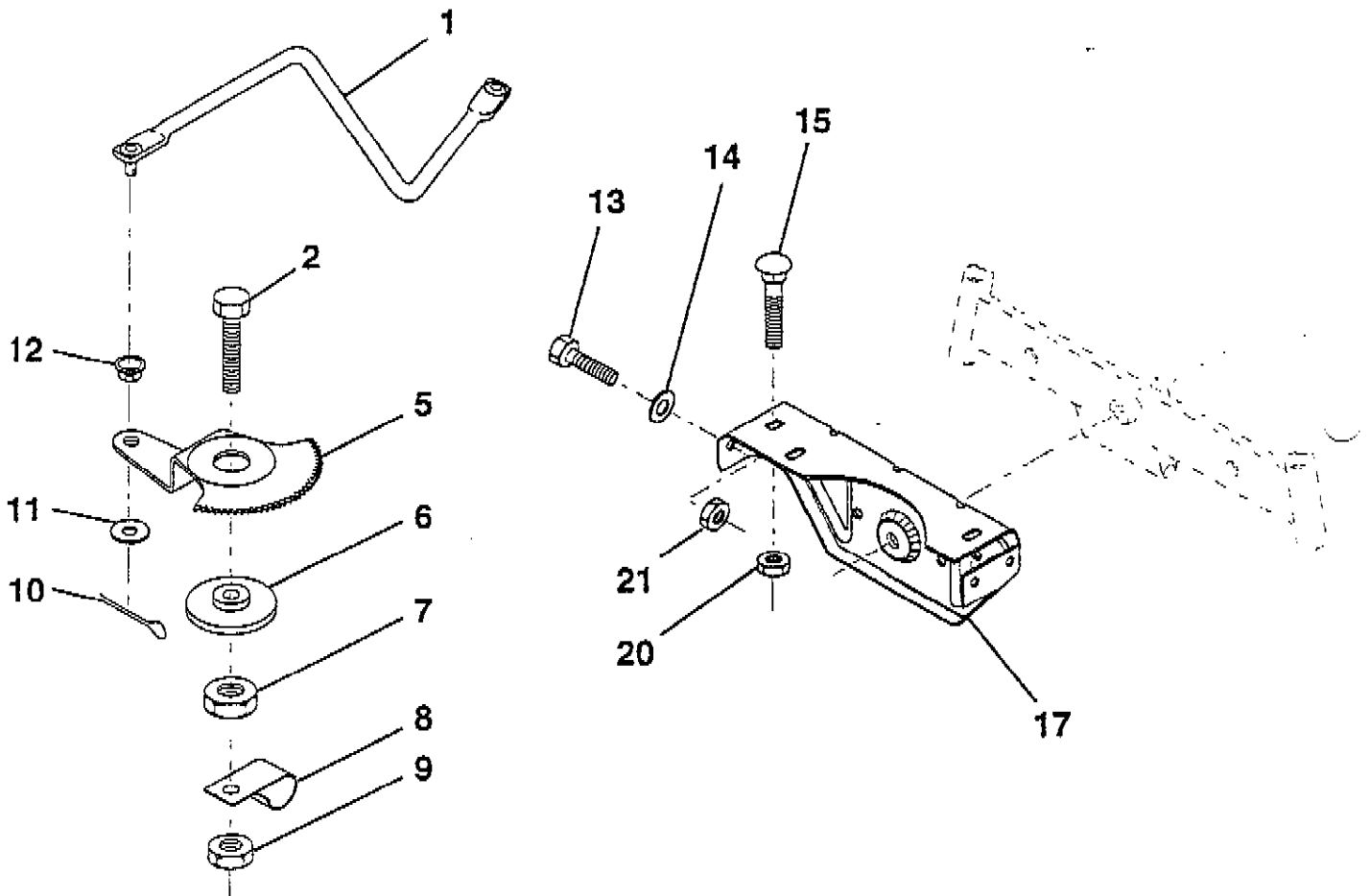
NOTE: All component dimensions given in U.S. inches.
1 inch = 25.4 mm.

HARDWARE SHOWN LARGER FOR EASIER IDENTIFICATION

REPAIR PARTS

10 HP 36" TRACTOR - - MODEL NUMBER 6A1A1B

SECTOR GEAR / AXLE SUPPORT



KEY NO.	PART NO.	DESCRIPTION
1	132566	Link, Drag
2	74780828	Bolt, Hex, Fin 1/2-13 x 1-3/4
5	121926X	Gear, Sector
6	121927X	Bushing
7	73030800	Nut, Heavy, Hex, Top Lock 1/2-13 UNC
8	126472X	Clip, Wire
9	73680800	Nut, Crownlock 1/2-13
10	76020412	Pin, Cotter 1/8 x 3/4

KEY NO.	PART NO.	DESCRIPTION
11	19131316	Washer 13/32 x 13/16 x 16 Ga.
12	126847X	Bushing
13	74760512	Bolt, Hex 5/16-18 x 3/4
14	19111416	Washer 11/32 x 7/8 x 16 Ga.
15	72110606	Bolt, Carriage 3/8-16 UNC x 3/4
17	137096	Support, Front Axle
20	73800600	Nut, Lock Hex W/Wsh 3/8-16 UNC
21	73800500	Nut, Lock Hex W/Ins 5/16-18

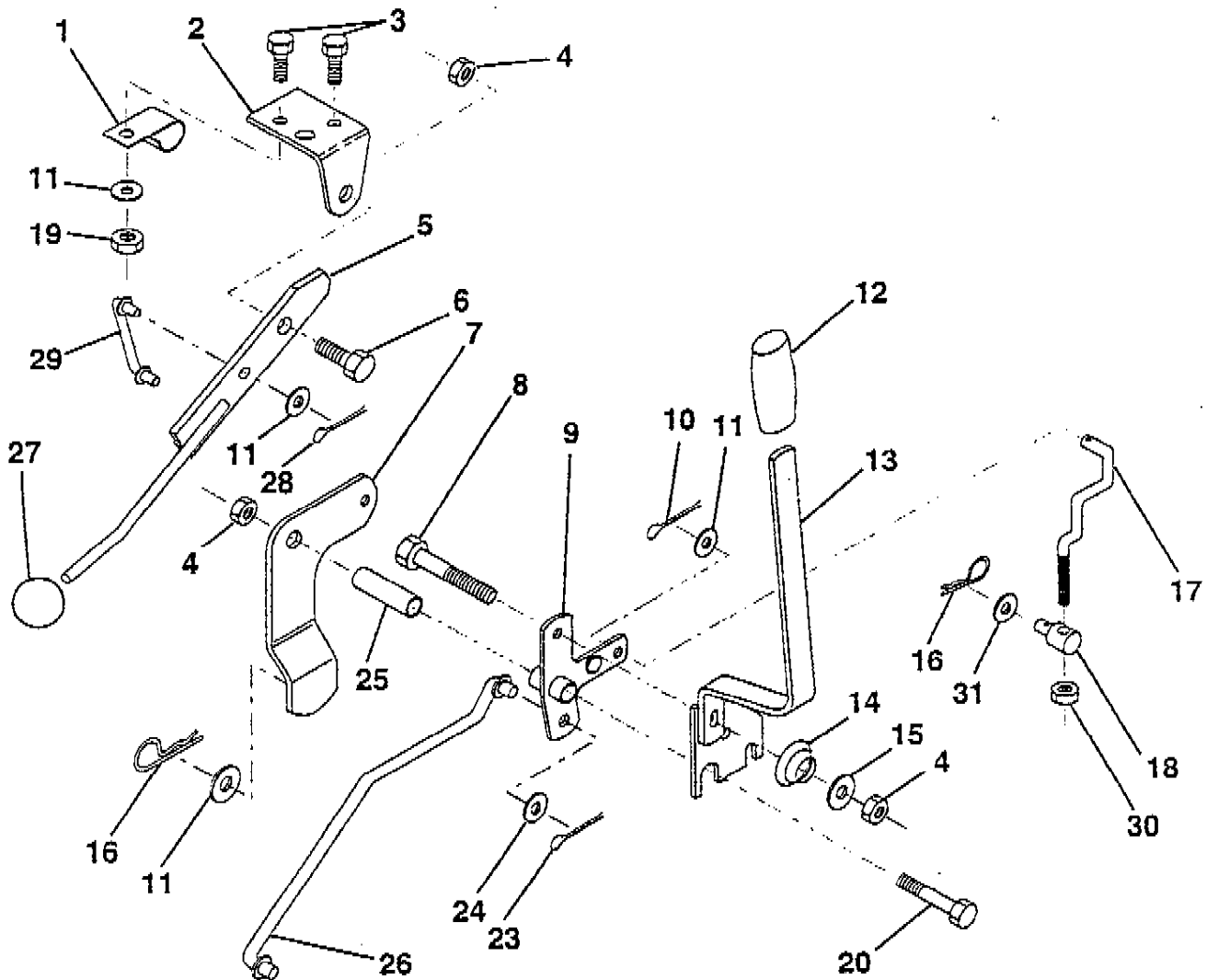
NOTE: All component dimensions given in U.S. inches.
1 inch = 25.4 mm.

HARDWARE SHOWN LARGER FOR EASIER IDENTIFICATION

REPAIR PARTS

10 HP 36" TRACTOR -- MODEL NUMBER 6A1A1B

MOWER LIFT LEVER



KEY NO.	PART NO.	DESCRIPTION
1	126470X	Clip, Insulated
2	122018X	Bracket, Mower Clutch
3	74780408	Bolt, Hex, Fin 1/4-20 UNC x 1/2 Grade 5
4	73800600	Nut, Lock Hex W/Wsh 3/8-16
5	123417X	Assembly, Clutch Lever
6	106451X	Bolt, Shoulder
7	135371	Assembly, Mower Clutch Arm
8	74760636	Bolt, Hex 3/8-16 UNC x 2-1/4
9	121930X	Assembly, Bellcrank, Lift
10	76020412	Pin, Cotter 1/8 x 3/4
11	19131916	Washer 13/32 x 13/16 x 16 Gauge
12	131861	Sleeve, Handle
13	139352	Assembly, Lift Handle
14	123496X	Spring, Compression
15	19131212	Washer 13/32 x 3/4 x 12 Gauge

KEY NO.	PART NO.	DESCRIPTION
16	4921H	Retainer, Spring
17	127359	Link, Front Lift
18	142028	Trunnion, Threaded 3/8-16
19	73680400	Nut, Crownlock 1/4-20
20	74760644	Bolt, Hex, Fin. 3/8-16 UNC x 2-3/4
23	76020416	Pin, Cotter 1/8 x 1
24	19171612	Washer 17/32 x 1 x 12 Gauge
25	121933X	Tube, Spacer
26	141470	Rod, Mower Lift
27	106932X	Knob, Rd
28	76020312	Pin, Cotter 3/32 x 3/4
29	131655	Link, Mower Clutch
30	73350600	Nut, Hex Jam 3/8-16
31	19132012	Washer 13/32 x 1-1/4 x 12 Ga.

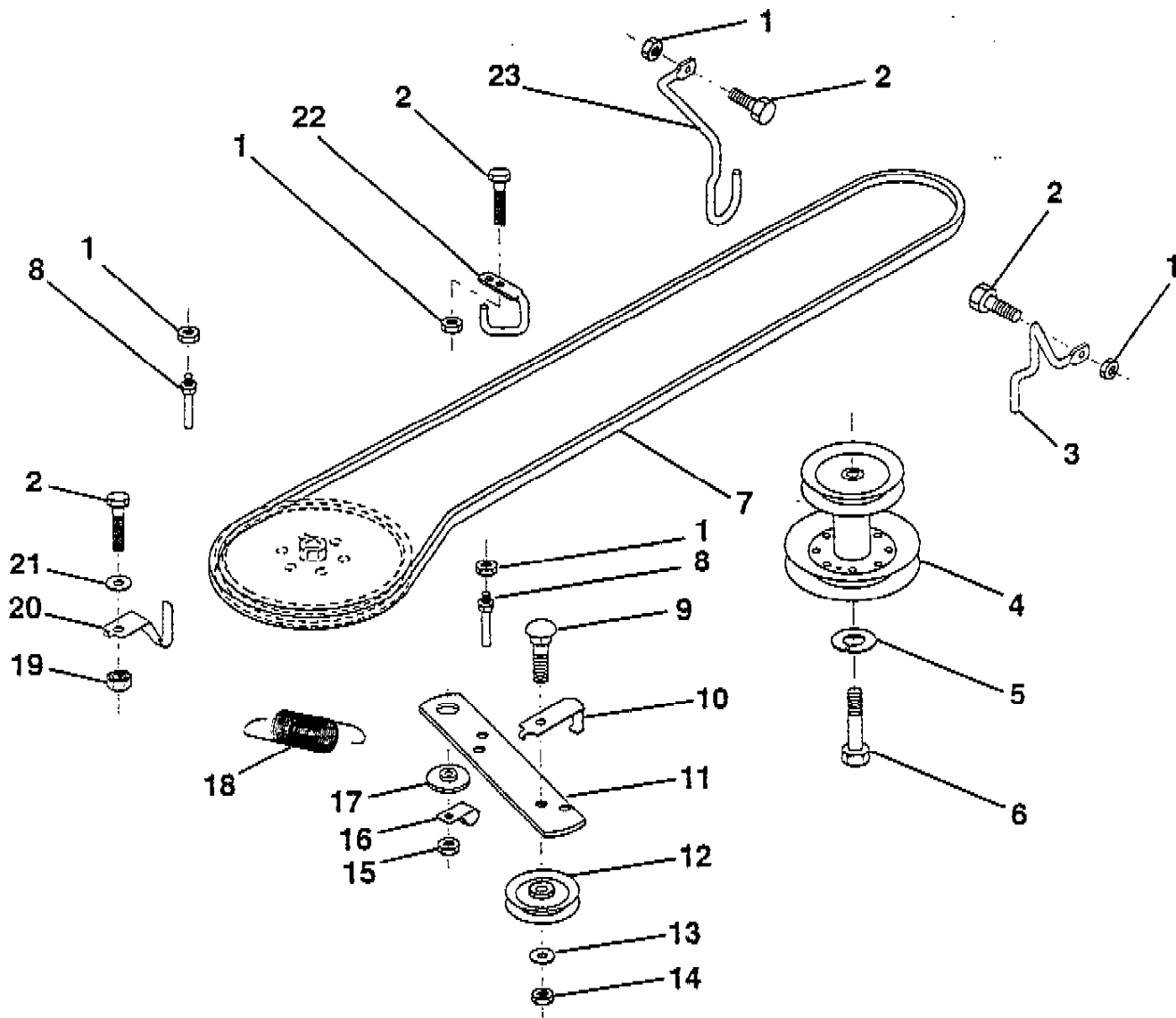
NOTE: All component dimensions given in U.S. inches.
1 inch = 25.4 mm.

HARDWARE SHOWN LARGER FOR EASIER IDENTIFICATION

REPAIR PARTS

10 HP 36" TRACTOR - - MODEL NUMBER 6A1A1B

GROUND DRIVE



KEY NO.	PART NO.	DESCRIPTION
1	73800500	Nut, Lock Hex W/Ins 5/16-18
2	74760512	Bolt, Hex 5/16-18 UNC x 3/4
3	141342	Keeper, Mower Drive Belt, Engine, R.H.
4	138029	Pulley, Engine
5	10040700	Washer, Lock, Heavy Helical Spring 7/16
6	71170744	Bolt, Hex, 7/16-20 x 2-3/4 Grade 5
7	124525X	Traction, V-Belt Drive
8	123405X	Keeper, T/A Ground Drive Belt
9	72140612	Bolt, Carriage 3/8-16 UNC x 1-1/2
10	123396X	Keeper, Ground Drive Belt, Idler
11	140911	Arm, Ground Drive Clutch

KEY NO.	PART NO.	DESCRIPTION
12	123674X	Idler, Flat
13	19131316	Washer 13/32 x 13/16 x 16 Gauge
14	73930600	Nut, Centerlock 3/8-16 UNC
15	73800600	Nut, Lock Hex W/Wsh 3/8-16
16	126471X	Clip, Insulated
17	122052X	Spacer, Retainer
18	131459	Spring, Extension
19	73510500	Nut, Keps 5/16-18 UNC
20	139919	Keeper, T/A Ground Drive Belt
21	19111016	Washer 11/32 x 5/8 x 16 Gauge
22	123404X	Keeper, Ground Drive Belt, Frame
23	140916	Keeper, Mower Drive Belt, L.H.

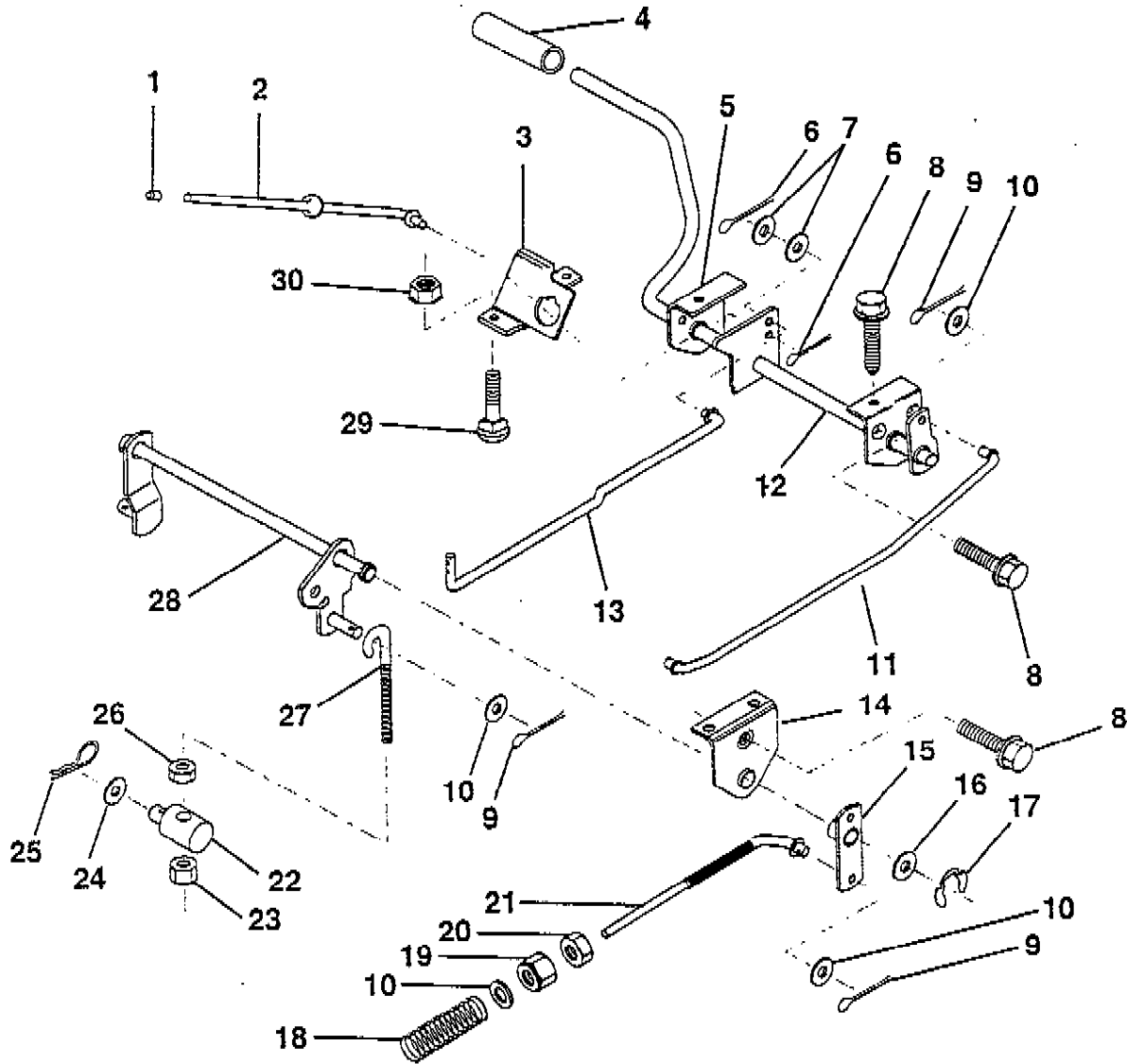
NOTE: All component dimensions given in U.S. inches.
1 inch = 25.4 mm.

HARDWARE SHOWN LARGER FOR EASIER IDENTIFICATION

REPAIR PARTS

10 HP 36" TRACTOR -- MODEL NUMBER 6A1A1B

BRAKE / REAR MOWER LIFT ASSEMBLY



KEY NO.	PART NO.	DESCRIPTION	KEY NO.	PART NO.	DESCRIPTION
1	71673	Cap, Parking Brake	16	19251816	Washer 25/32 x 1-1/8 x 16 Gauge
2	123436X	Rod, Parking Brake	17	12000034	Ring, Klip
3	123437X	Bracket, Parking Brake	18	106888X	Spring, Brake Rod
4	8156H	Cover, Pedal	19	73800600	Nut, Lock Hex W/Wsh 3/8-16
5	122504X	Bracket, Pedal, Clutch LH	20	73350600	Nut, Hex, Jam 3/8-16 UNC
6	76020312	Pin, Cotter 3/32 x 3/4	21	131460	Rod, Rear Brake
7	19131016	Washer 13/32 x 5/8 x 16 Gauge	22	127378	Trunnion, Lift
8	17490508	Screw, Hex, Thd. Roll. 5/16-18 x 1/2	23	73800600	Nut, Lock Hex W/Wsh 3/8-16 UNC
9	76020412	Pin, Cotter 1/8 x 3/4	24	19132012	Washer 13/32 x 1-1/4 x 12 Gauge
10	19131316	Washer 7/32 x 13/16 x 16 Gauge	25	4921H	Spring, Retainer
11	123543X	Rod, Front Brake	26	73930600	Nut, Centerlock 3/8-16 UNC
12	139933	Assembly, Clutch/Brake Pedal	27	127369	Link, Threaded
13	123394X	Rod, Clutch	28	140776	Assembly, Rear Mower Lift
14	121978X	Bracket, Lift, Shaft	29	72110506	Bolt, Carriage 5/16-18 UNC x 3/4
15	133332	Assembly, Brake, Pivot, Arm	30	73510500	Nut, Keps 5/16-18 UNC

NOTE: All component dimensions given in U.S. inches.
1 inch = 25.4 mm.

HARDWARE SHOWN LARGER FOR EASIER IDENTIFICATION

REPAIR PARTS

10 HP 36" TRACTOR - - MODEL NUMBER 6A1A1B

DANA TRANSAXLE - MODEL NUMBER 4360-78

KEY PART NO.	NO.	DESCRIPTION	KEY PART NO.	NO.	DESCRIPTION
1	142671	Housing, Upper	41	105928X	Sprocket, 9 Teeth
2	2274J	Screw, Self-Tapping, Large 1/4-20 x .734	42	110084X	Gear, Bevel, 42 Teeth
3	134400	Ball, Detent	43	134394	* Assembly, Kit, Shim .750 Shaft
4	105904X	Spring, Detent	44	120473X	Shaft, Drive
5	105905X	Screw, Set	45	142678	Gear, Spur, 12 Teeth
6	138235	Kit, Shifter Assembly	46	120407X	Gear, Spur, 20 Teeth
7	134399	Boot, Shifter	47	106589X	Gear, Spur, 25 Teeth
8	120951X	Puck, Friction	48	120408X	Gear, Spur, 28 Teeth
9	143045	Seal, Oil	49	105937X	Gear, Spur, 31 Teeth
10	142672	Ring, Retaining	50	105936X	Spacer .781 x 1.00 x .375
11	134793	* Assembly, Kit, Shim .625 Shaft	51	2226J	Washer, Plain .632 x 1.00 x .060
12	143051	Bearing, Flange	52	134401	Washer, Neoprene
13	120415X	Washer, Plain .632 x 1.38 x .046	53	2264J	Washer, Plain .758 x 1.25 x .031
14	142674	Key, Woodruff, #9	54	120474X	Axle, L.H.
15	138234	Assembly, Kit, Input Shaft	55	110081X	Gear, Miter, 15 Teeth
16	110078X	Pinion, Bevel, 14 Teeth	56	105941X	Ring, Retaining
17	105909X	Ring, Retaining	57	110071X	Gear, Spur, 32 Teeth
18	105910X	Chain, 24 Pitches	58	120952X	Shaft, Cross
19	105911X	Bearing, Flange	59	110082X	Gear, Miter, 15 Teeth
20	142675	Gear, Spur, 14 Teeth	60	120475X	Axle, R.H.
21	138246	Collar, Clutch	61	142680	Housing, Lower
22	138236	Assembly, Kit, Clutch Keys	62	120961X	Puck, Friction
23	134791	Screw, Tapping w/Sealer	63	7294J	Disc, Brake
24	142676	Shaft, Intermediate	64	108989X	Spacer
25	2244J	Key, Woodruff, #61	65	120953X	Jaw, Brake
26	105916X	Ring, Retaining	66	120954X	Pin, Dowel
27	120470X	Sprocket, 18 Teeth	67	134799	Screw, Self-Tapping, Large 5/16-18 x 2.25
28	110070X	Spacer	68	138244	Lever, Actuating
29	142677	Gear, Spur, 37 Teeth	69	108996X	Washer, Plain .321 x 1.00 x .055
30	120405X	Gear, Spur, 30 Teeth	70	120956X	Bracket, Anti-Rotation
	108980X	Gear, Spur, 25 Teeth	71	73810500	Locknut 5/16-24
	120406X	Gear, Spur, 22 Teeth	72	106596X	Screw, Self-Tapping, Large 5/16-18 x 1.44
33	134796	Gear, Spur, 19 Teeth	73	120416X	Grease
34	134797	Spacer 1.133 x 1.50 x .375			
35	105925X	Washer, Plain .640 x 1.37 x .061			
36	2232J	Washer, Plain .632 x 1.00 x .026			
37	108978X	Spacer .630 x 1.00 x .169			
38	110079X	Assembly, Gear, Combination of 12 Teeth and 35 Teeth			
39	124639X	Shaft, Idler			
40	120472X	Spacer .635 x .875 x .755			

* Use in combinations to maintain proper clearances

** Order Key No. 15

NOTE: All component dimensions given in U.S. inches
1 inch = 25.4 mm

REPAIR PARTS

10 HP 36" TRACTOR -- MODEL NUMBER 6A1A1B

MOWER DECK

KEY NO.	PART NO.	DESCRIPTION	KEY NO.	PART NO.	DESCRIPTION
1	140064	Spring, Mower Clutch	28	129207	Pulley, Mandrel
2	122052X	Spacer, Retainer	29	137266	Nut, Flangelock 9/16
3	73800600	Nut, Lock Hex W/Wsh 3/8-16	30	136631	Bracket, Deflector
4	130840	Assembly, Brake	31	17490508	Screw, Hex Washer Head, Thd. Roll. 5/16-18 x 1/2
5	131251	Guide, Belt Idler	32	122051X	Arm, Support Idler, Mower
6	121316X	Idler, Flat	33	131560	Shield, Deflector
7	72110616	Bolt, Carriage 3/8-16 x 2 Grade 5	36	121980X	Rod, Hinge
8	19131410	Washer 13/32 x 7/8 x 10 Gauge	37	123713X	Spring, Torsion Deflector
	127744	Assembly, Mower Idler Arm	38	105304X	Cap, Sleeve
10	72140610	Bolt, Carriage 3/8-16 x 1-1/4	39	19111016	Washer 11/32 x 5/8 x 16 Gauge
11	130841	Rod, Brake	40	110452X	Nut, Push
12	127356	Bracket, Rear Lift, R.H.	41	131264	V-Belt
13	72140506	Bolt, Carriage 5/16-18 UNC x 3/4	42	19171616	Washer 11/32 x 5/8 x 16 Gauge
14	73800500	Nut, Lock Hex W/Ins 5/16-18	43	3146R	Clip, Hairpin
15	127357	Bracket, Rear Lift, L.H.	44	140608	Keeper, L.H.
16	140093	Keeper, R.H.	45	110485X	Bearing
17	128508	Stabilizer, Mower Link	46	128774	Housing, Mandrel, Vented
18	128511	Pin, Drive	47	129895	Bearing
19	127380	Bracket, Stabilizer Link	48	137645	Shaft, Mandrel (Includes Key Number 47)
20	140101	Blade	49	133943	Washer, Hardened
21	140296	Washer, Hard Blade Mower Vented	--	130794	Mandrel Assembly (Includes Key Numbers 21-23, 26, 29 and 45-48)
22	10030600	Washer, Lock, Heavy 3/8	--	140979	Deck, Mower Complete
23	850857	Bolt 3/8-24 x 1-1/4 Grade 8			
24	140329	Stripper			
25	138776	Screw, Thdrol. Hex Hd.			
26	129963	Washer .150 Thick			
27	129983	Housing, Mower			

NOTE: All component dimensions given in U.S. inches.
1 inch = 25.4 mm.

HARDWARE SHOWN LARGER FOR EASIER IDENTIFICATION