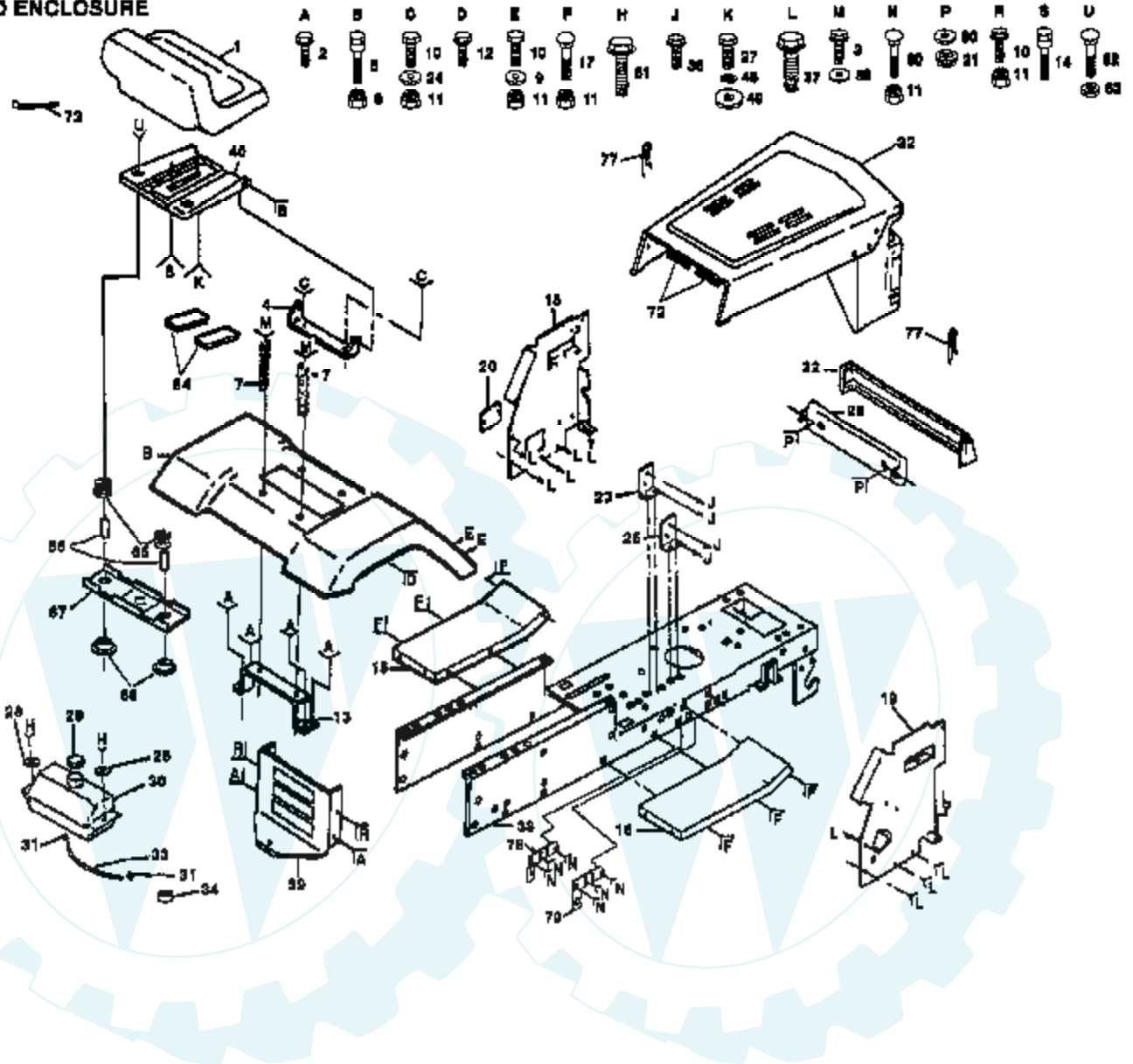


**12 HP 38" TRACTOR - MODEL NUMBER RL12N38A**

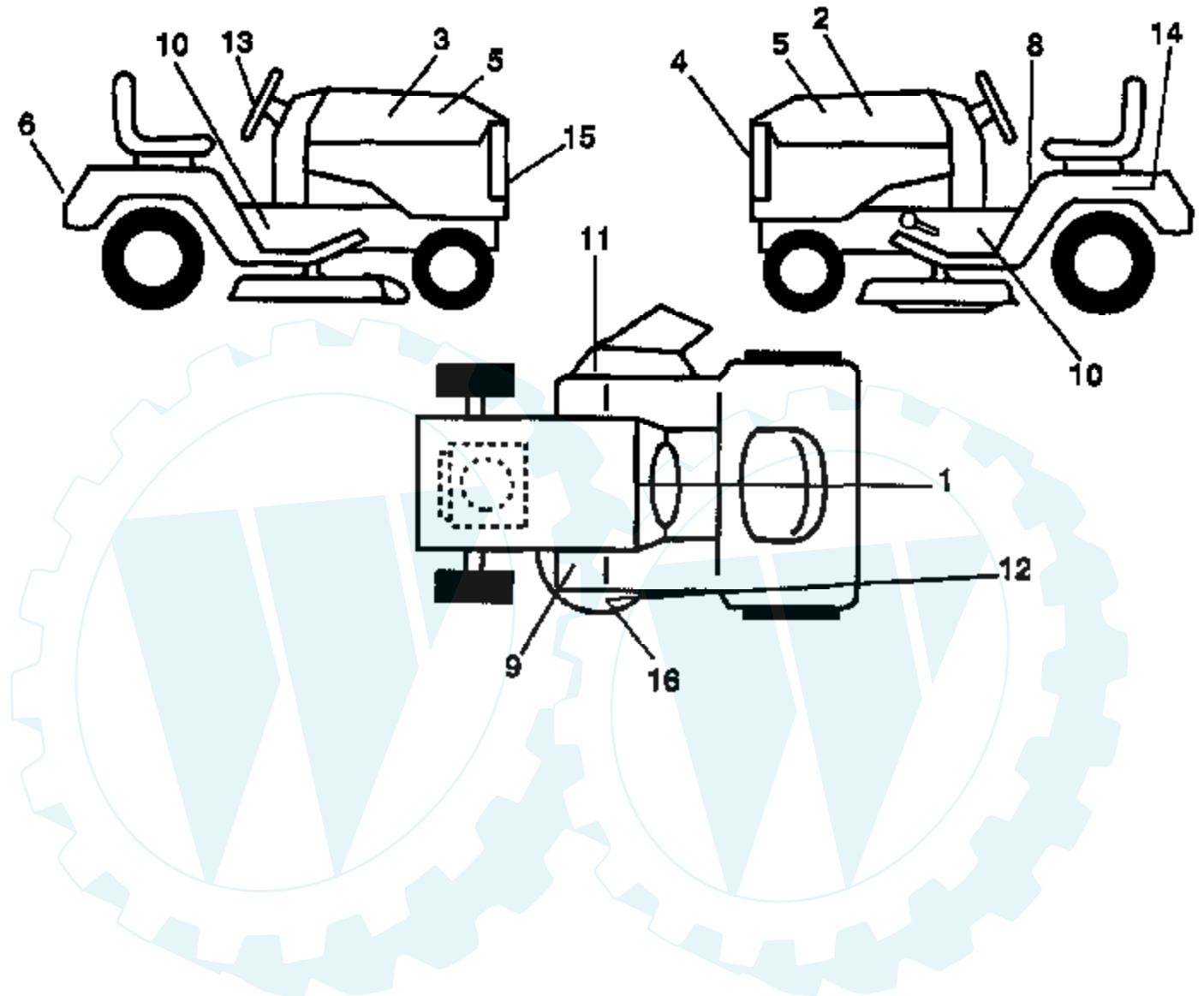
**CHASSIS AND ENCLOSURE**



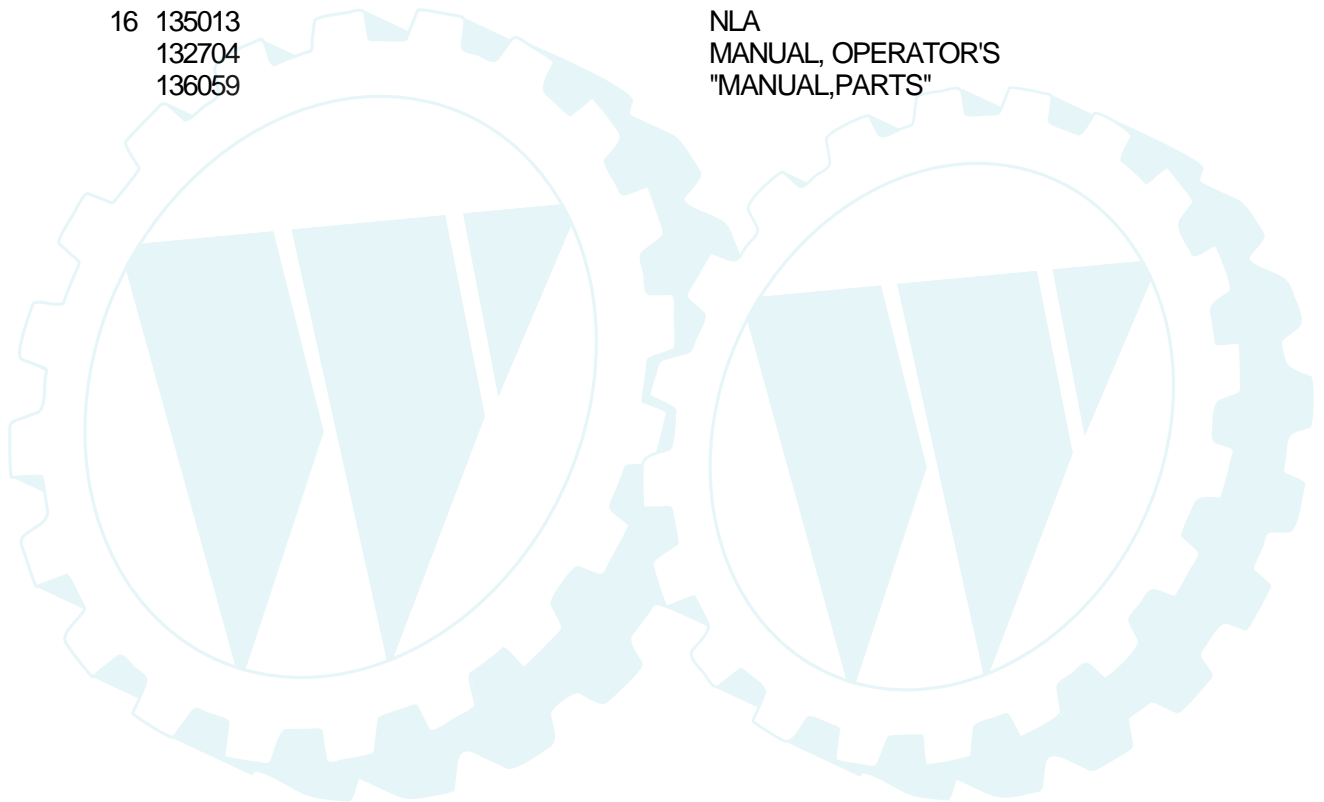
Ref #	Part Number	Qty	Description
1	127423X		SUB= 140119
2	17490612		SCREW
3	17490616		SCREW GTV
4	126656X		SUB= 140551
5	105529X		SUB= 139888
6	73680500		SUB= 73690500
7	124181X		SPRING COMPRESSIO
8	109872X419		FENDER
9	19131312		WASHER
10	74760612		SUB= 74780612
11	73680600		SUB= 73690600
12	17490608		SCREW LT
13	109873X		SUB= 136619
14	127018X		"BOLT,SHOULDER"
15	105476X419		FOOTREST LH
16	105475X419		FOOTREST
17	72110606		BOLT
18	122795X		PANEL DASH LH
19	124031X		SUB= 155934X010
20	121794X		COVER ACCESS
21	108067X		PAL NUT LT
22	133805		SUB= 133954
23	130890		SWITCH BRACKET
24	19131210		WASHER
25	108236X		BRACKET LT
26	132257		SUB= 918132257
27	74780814		BOLT
28	19091416		WASHER
29	123549X		SUB= 158990
30	109202X		TANK.FUEL.LT.
31	123487X		HOSE CLAMP
32	133956X419		HOOD/GRILL ASM
33	8548R		FUEL LINE T
34	124028X		SUB= 532124028
36	17021008		SCREW
37	17490608		SCREW LT
38	135034		SUB= 145501
39	127866		DRAWBAR LT/YT
40	131451		SUB= 155925
48	10040800		LOCKWASHER
49	19171912		WASHER
59	19131614		WASHER
60	19091216		WASHER PM
62	72050411		SUB= 872050411
63	123976X		SUB= 73900400
64	121251X		STRIP FORM
65	121250X		SPRING
66	121249X		SPACER SPLIT
67	121246X		BRKT SWITCH
68	121248X		BUSHING
72	126938X		SUB= 532126938
73	7192J		WIRE TIE
77	4921H		SPRING.RETAINER
78	134618		BRKT ASM PIVOT LH
79	134617		BRKT ASM PIVOT RH
80	72140606		BOLT
81	17490412		SCREW HEX CRT.

## 12 HP 38" TRACTOR - MODEL NUMBER RL12N38A

### DECALS

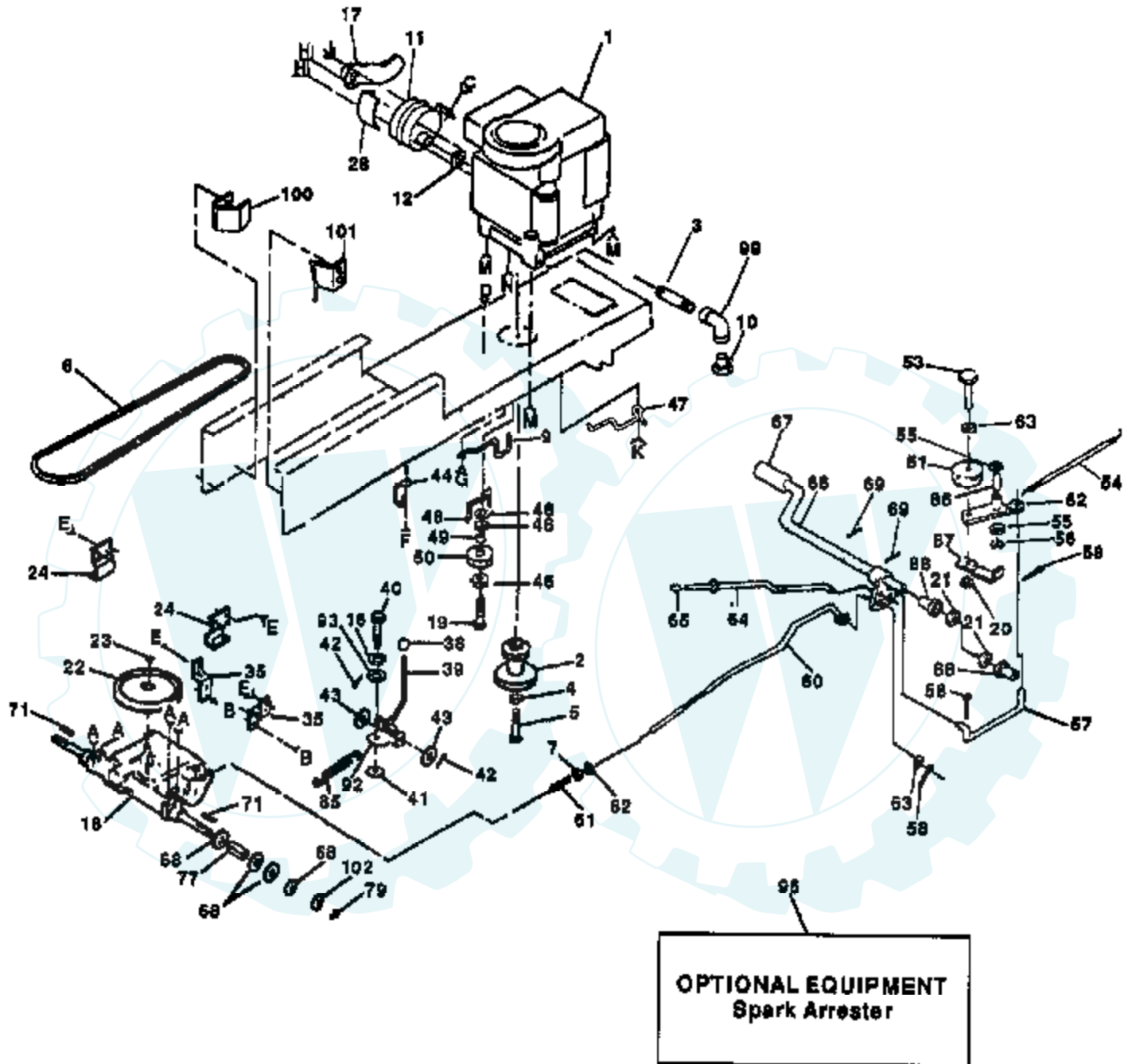


Ref #	Part Number	Qty	Description
1	109821X		SUB= 138956
2	130443		NLA
3	130442		NLA
4	132627		GRILL DECAL
5	136082		NLA
6	132628		FENDER DECAL
8	133795		DECAL CAUTION
9	101892X		DECAL T
10	127900		DECAL CHASSIS SPEED DECK
11	121349X		DECAL WARNING
12	109820X		DECAL YT
13	127075		"DECAL,STR WHL"
14	121549X		DECAL
15	129823		NLA
16	135013		NLA
	132704		MANUAL, OPERATOR'S
	136059		"MANUAL,PARTS"



# 12 HP 38" TRACTOR - MODEL NUMBER RL12N38A

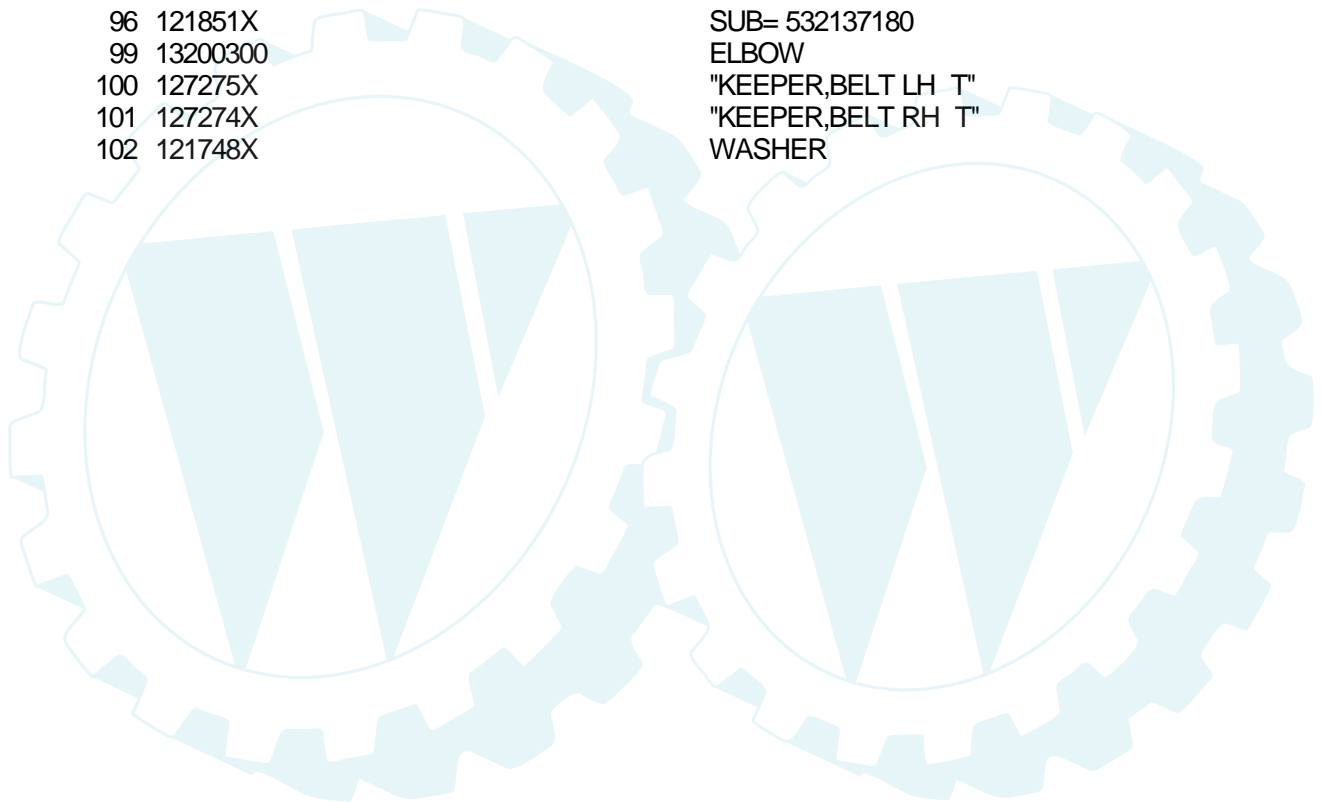
## DRIVE



- | A | B | C | D | E | F | G | H | J | K | M | N |
|---|---|---|---|---|---|---|---|---|---|---|---|
|   |   |   |   |   |   |   |   |   |   |   |   |
|   |   |   |   |   |   |   |   |   |   |   |   |
|   |   |   |   |   |   |   |   |   |   |   |   |

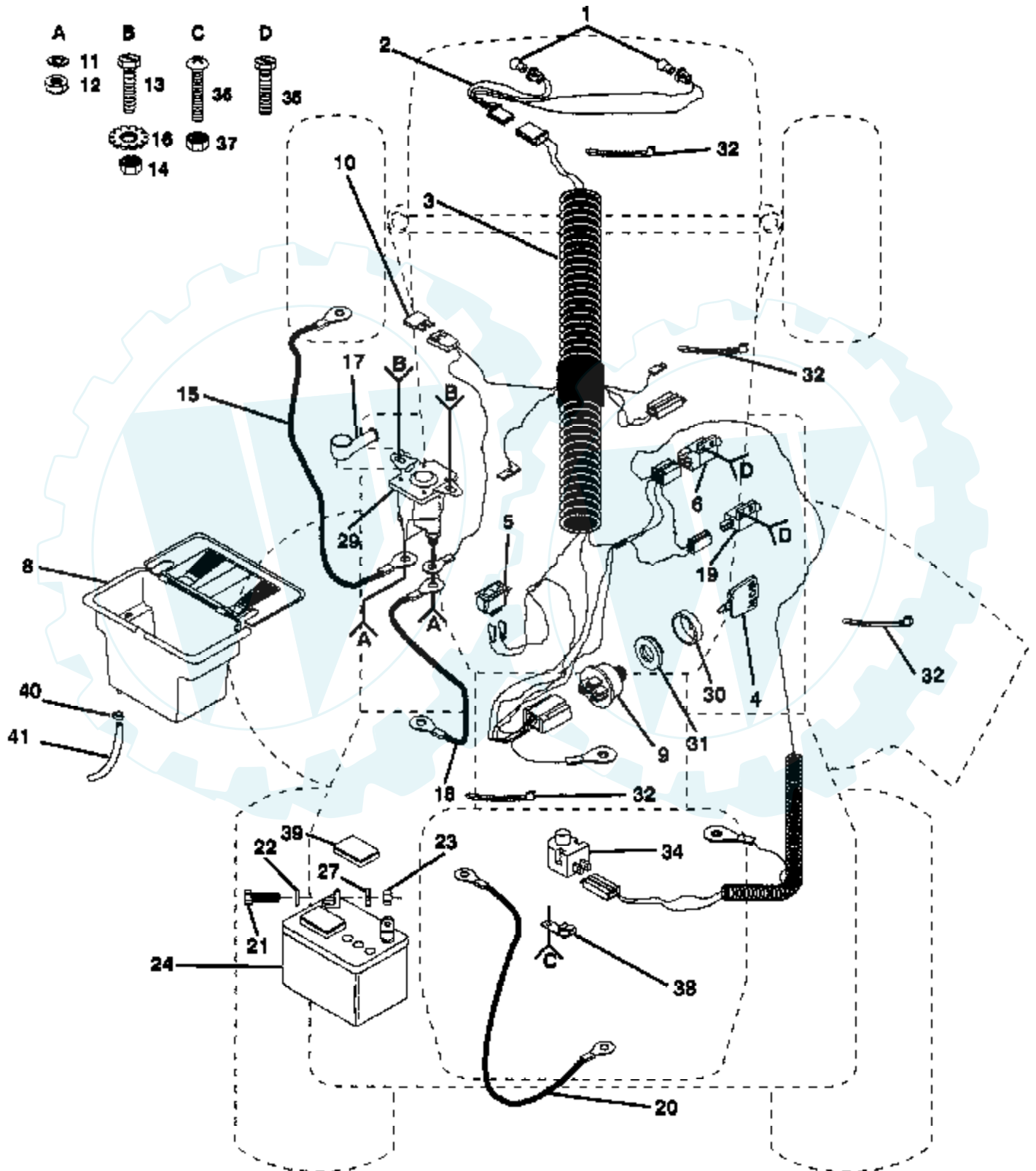
Ref #	Part Number	Qty	Description
1			REFER TO IMAGE
2	134825		SUB= 136004
3	13280324		PIPE NIPPLE
4	10040700		LOCKWASHER
5	71170764		BOLT
6	125907X		BELT-V.90.0.GD.DR
7	73800600		NUT
9	129921		KEEPER.BELT.ENG.L
10			REFER TO IMAGE
11	101273M		MUFFLER LTV
12	125593X		SUB= 272293
15	17490620		SCREW
16	10040400		LOCKWASHER
17	108767X		DEFLECTOR MUFFLER
18	120897X		SUB= 142608
19	74760644		BOLT
20	73680600		SUB= 73690600
21	19211616		WASHER LT
22	123666X		PULLEY TRANS
23	12000028		SUB= 2267J
24	109167X		BRACKET LT
25	74760616		BOLT
26	17490512		SCREW
27	17030808		SUB= 17030814
28	101159L		SHIELD HEAT LTV
29	74780556		"BOLT,HEX"
30	19111012		WASHER T
31	74780408		BOLT
32	19132012		WASHER
35	121520X		STRAP TORQUE
36	74760612		SUB= 74780612
38	106279X		CONTROL KNOB LT
39	124461X		ROD SHIFTER
40	71040412		SUB= 74550412
41	105701X		WASH-SHFT PLT LT
42	76020416		PIN COTTER 1/8
43	19151216		WASHER
44	104777X		SUB= 140312
45	17490612		SCREW
46	19131312		WASHER
47	134683		KEEPER BELT ENG
48	109070X		BELT KEEPER LT
49	4470J		SPACER T
50	123674X		PULLEY.IDLER.FLAT
51	127783		SUB= 139245
52	123789X		ARM IDLER
53	74760624		SUB= 74930624
54	105709X		"SPRING, RETURN LT"
55	110812X		WASHER LT
56	12000039		KLIP RING
57	105710X		"LINK, CLUTCH T"
58	76020412		COTTER PIN
60	131867		BRAKE ROD
61	106888X		SPRING ROD LT
62	73350600		NUT
63	19131316		WASHER
64	128904		PARKING BRAKE ROD
65	7733J		SUB= 71673

Ref #	Part Number	Qty	Description
66	122424X		SUB= 149001
67	8883R		PEDAL COVER T
68	121749X		WASHER
69	1572H		SUB= 2882J
71	123583X		SQUARE KEY
77	109502X		SPACER LT
79	12000001		E-RING LT
85	110422X		SUB= 146682
86	105706X		"LY, BEARING"
87	123205X		RETAIN BELT
88	120183X		NYLON BEARING
92	106919X		PLATE SHIFT LT
93	19091210		WASHER LT
94	11050600		LOCKWASHER
96	121851X		SUB= 532137180
99	13200300		ELBOW
100	127275X		"KEEPER,BELT LH T"
101	127274X		"KEEPER,BELT RH T"
102	121748X		WASHER



### 12 HP 38" TRACTOR - MODEL NUMBER RL12N38A

#### ELECTRICAL

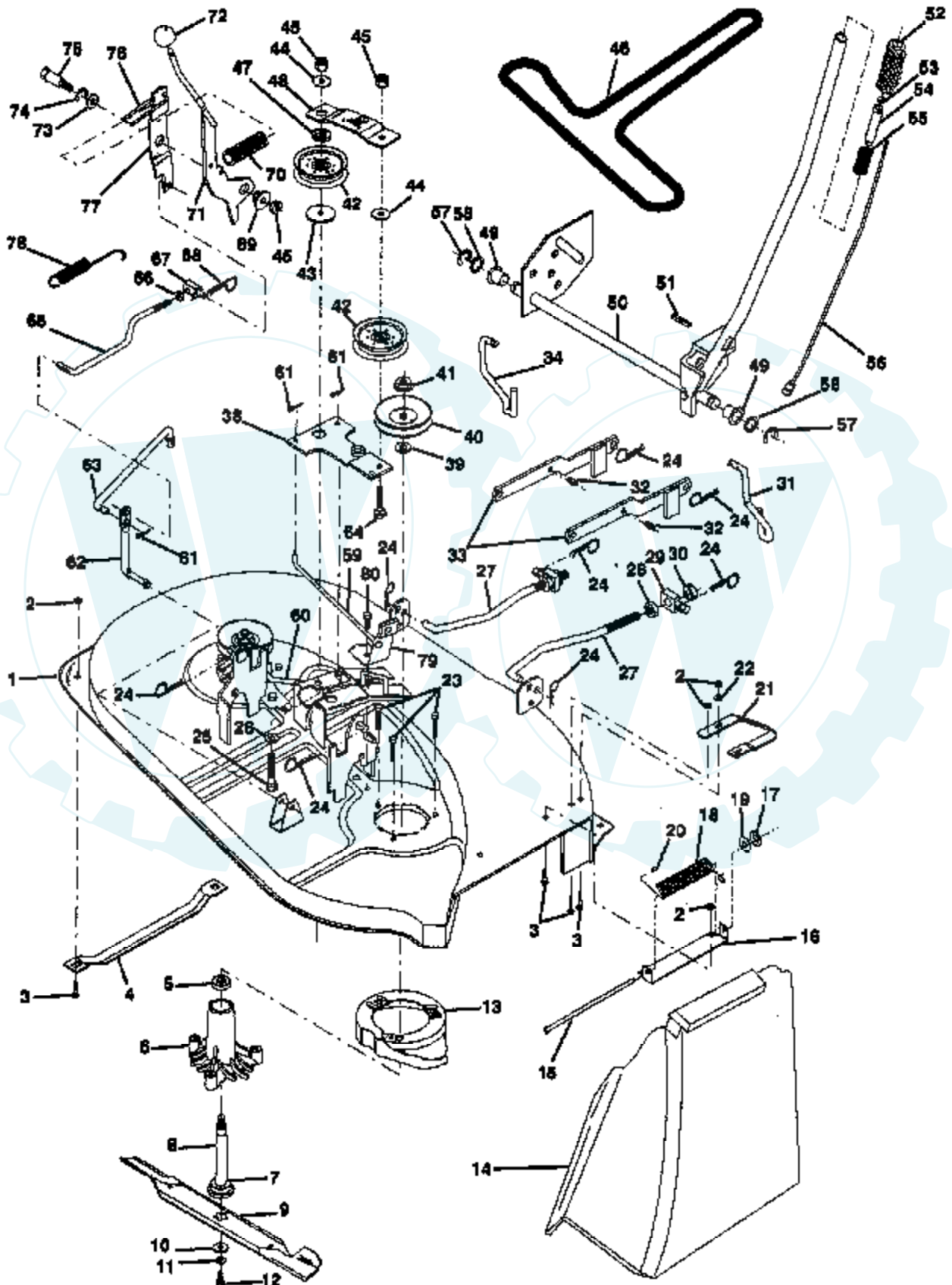




Ref #	Part Number	Qty	Description
1	7662J		SUB= 4152J
2	127441X		SUB= 136850
3	132017		IGN HARNESS
4	122147X		KEY
5	110712X		SWITCH LT
6	109553X		SWITCH INTERLOCKT
8	129965		SUB= 156417
8	129965		SUB= 156417
9	4406R		SUB= STD365402
10	108824X		FUSE HYT
11	10090400		SUB= 10040400
12	73350400		NUT
13	74780408		BOLT
14	73510400		NUT
15	4799J		"CABLE T, BATTERY"
16	11050400		LOCKWASHER
17	131563		SUB= 154336
18	132202		SUB= 146147
19	104445X		SWITCH-INTER. GT
20	4207J		CABLE T
21	74760412		BOLT LT
22	19091016		WASHER
23	73220400		SUB= 50675
24	121265X		SUB= 123899X
27	10040400		LOCKWASHER
29	109081X		SUB= 146154
30	123620X		SUB= 141226
31	124211X		NUT IGNITION
32	7192J		WIRE TIE
34	121305X		SWITCH SEAT
35	17021008		SCREW
36	74641008		SUB= 71031008
37	73951000		"NUT,KEPS"
38	4171R		CLIP T
39	121264X		"CAP,BATTERY "
40	109596X		HOSE CLAMP T
41	105687X		SUB= 109238X

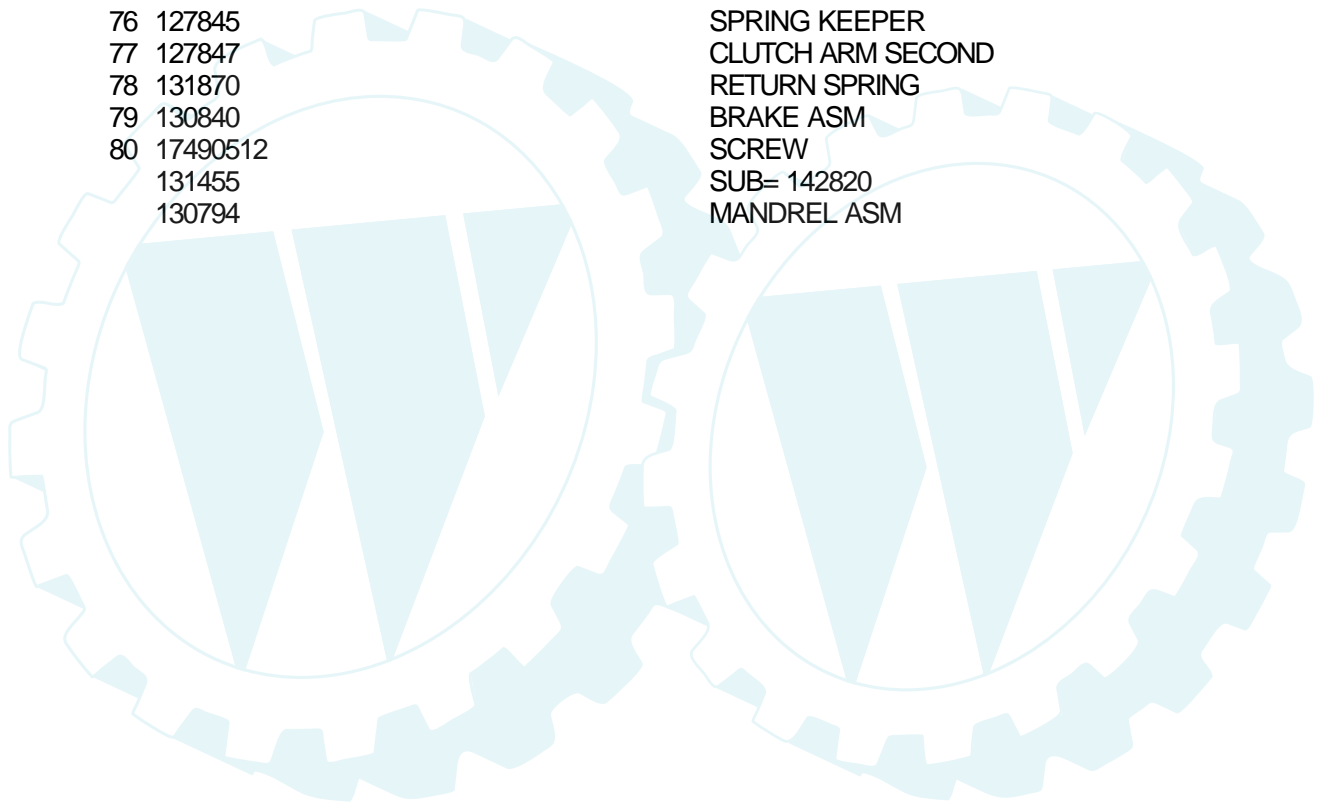
### 12 HP 38" TRACTOR - MODEL NUMBER RL12N38A

#### 38" MOWER



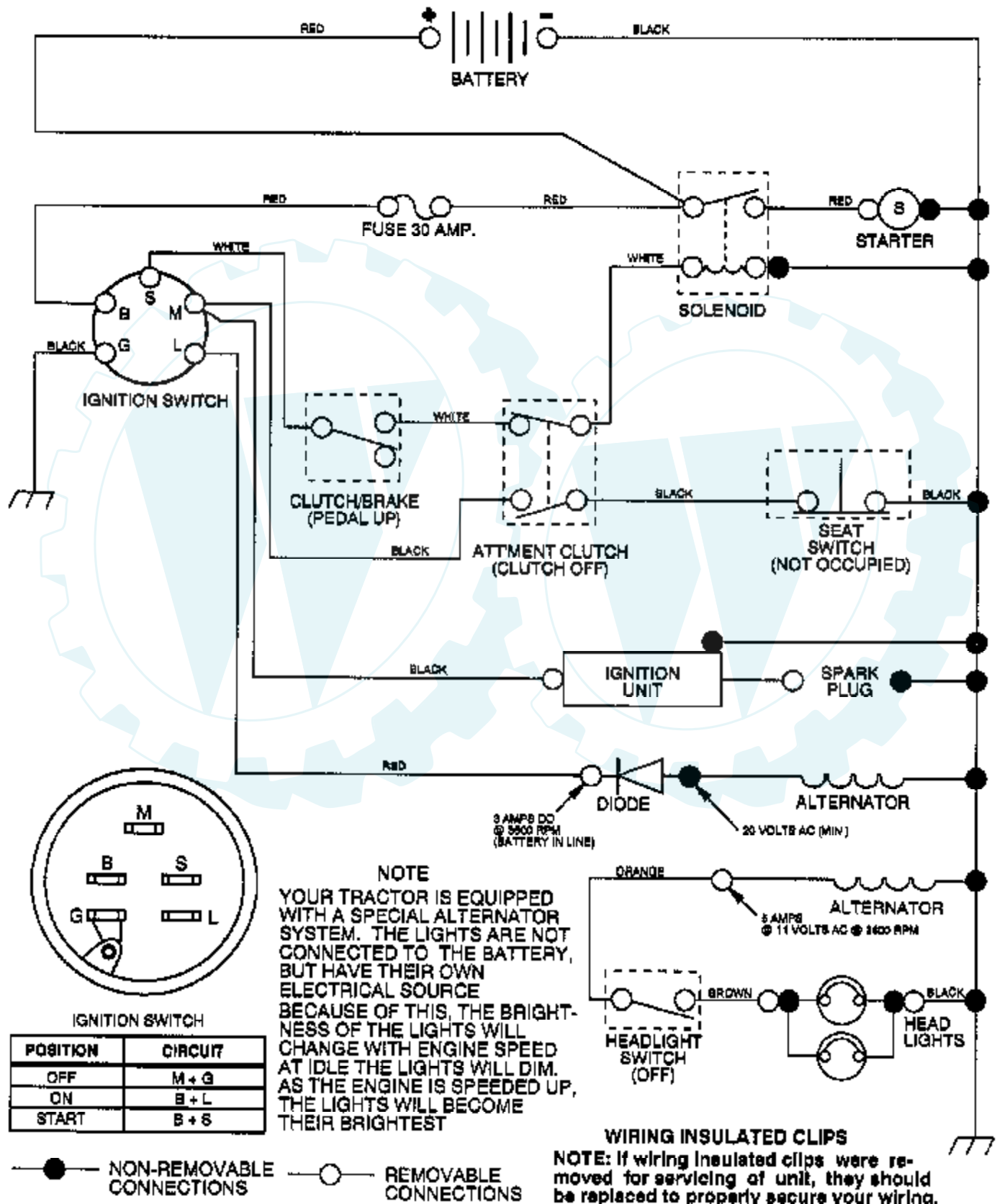
Ref #	Part Number	Qty	Description
1	129365		SUB= 145775
2	73680500		SUB= 73690500
3	72140506		BOLT
4	7631J		RUNNER-LH M
5	110485X		BEARING
6	128774		HSG ASM MANDREL
7	129895		BEARING.BALL
8	133172		SUB= 137646
9	127842		SUB= 138497
10	129962		WASHER BLADE
11	10030600		SUB= 10040600
12	850857		BLADE BOLT
13	128961		SUB= 140329
14	106736X		DEFLECTOR-SHLD T
15	106735X		ROD-HINGE T
16	105896X		SUB= 137607
17	110452X		NUT PUSH M
18	106734X		SUB= 123713X
19	19111016		WASHER
20	105304X		CAP-SLEEVE LT
21	128772		RUNNER RH
22	19111216		WASHER M
23	78158		SUB= 17580520
24	4939M		SUB= 85902
25	74600636		BOLT
26	19131612		WASHER GT
27	127218		LINK.FRONT
28	73350800		NUT
29	130171		TRUNION
30	73800800		NUT.LK.W/WSH.1/2.
31	135388		LIFT LINK RH
32	135563		"PIN,SPRING"
33	130833		SUSP ARM ASM REAR
34	134619		LINK LIFT LH
38	133840		IDLER ARM ASSY
39	129963		WASHER
40	129206		SUB= 153532
41	73050900		SUB= 139729
42	131494		FLAT IDLER PULLEY
43	122052X		SPACER RETAINER
44	19131612		WASHER GT
45	73680600		SUB= 73690600
46	131290		BELT-V.88.12.MW
47	133502		RETAINER SPACER
48	133503		IDLER ARM STIFF
49	120183X		NYLON BEARING
50	122507X		SUB= 145117
51	105767X		PIN-GROOVE LT
52	109413X		GRIP
53	124385X		SUB= 125925X
54	122364X		SUB= 125925X
55	122512X		SUB= 532122512
56	122514X		SUB= 136973
57	12000002		SUB= 2225J
58	19211416		WASHER
59	131288		BRAKE ROD RH
60	131289		BRAKE ROD LH
61	76020312		SUB= 3145

Ref #	Part Number	Qty	Description
62	133551		PIVOT ROD
63	133504		CLUTCH ROD SECOND
64	72110614		BOLT
65	133550		SUB= 142427
66	73350600		NUT
67	133205		TRUNION
68	4497H		RETAINER M
69	127498		BUSHING
70	128759		SUB= 918128759
71	133573		CLUTCH ARM PRI AS
72	7803J		SUB= 106932X
73	121748X		WASHER
74	12000029		RING
75	128903		SHOULDER BOLT
76	127845		SPRING KEEPER
77	127847		CLUTCH ARM SECOND
78	131870		RETURN SPRING
79	130840		BRAKE ASM
80	17490512		SCREW
	131455		SUB= 142820
	130794		MANDREL ASM



## 12 HP 38" TRACTOR - MODEL NUMBER RL12N38A

### SCHEMATIC



---

Ref #	Part Number	Qty	Description
-------	-------------	-----	-------------

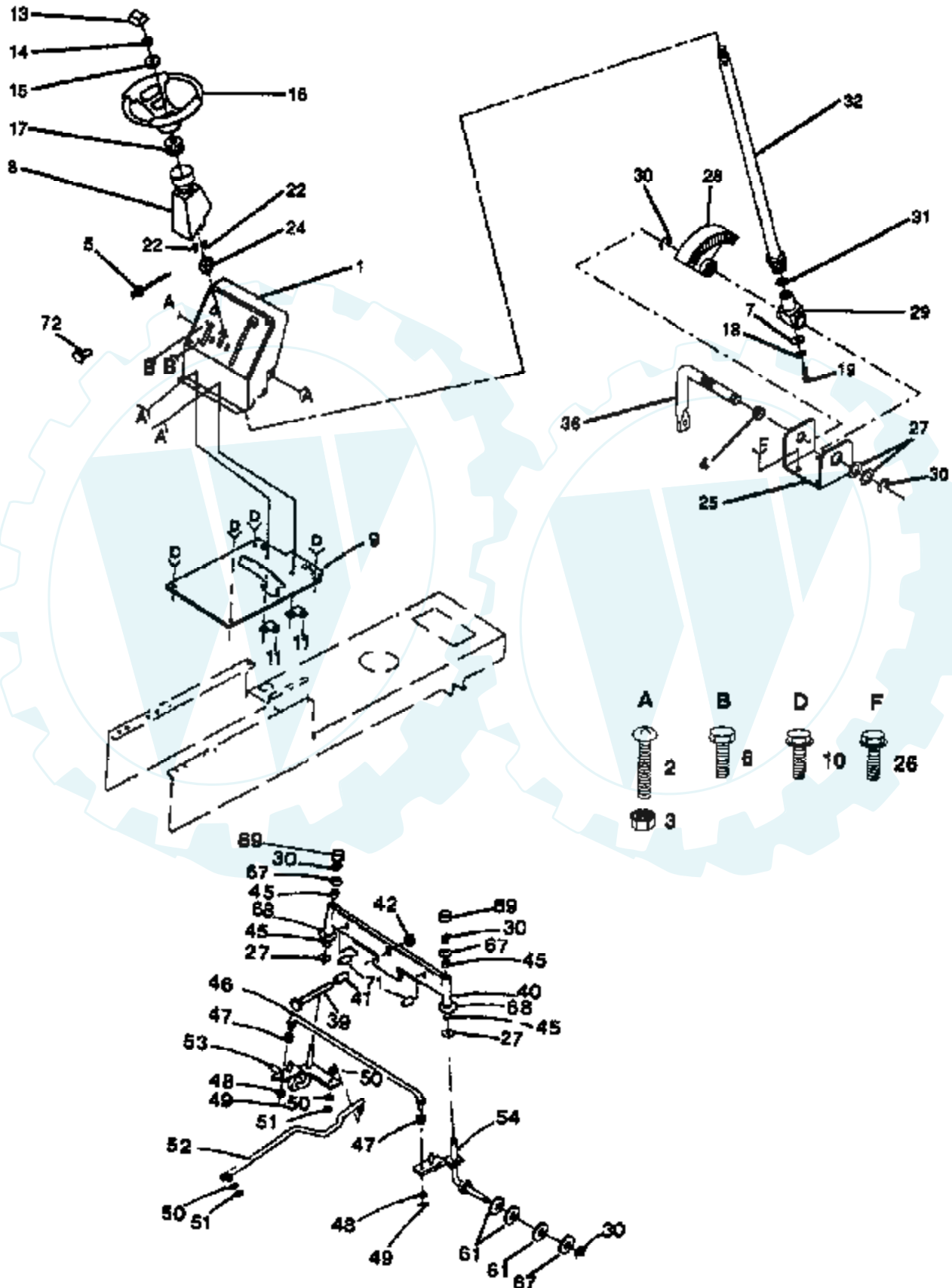
---

REFER TO IMAGE



### 12 HP 38" TRACTOR - MODEL NUMBER RL12N38A

#### STEERING AND FRONT AXLE

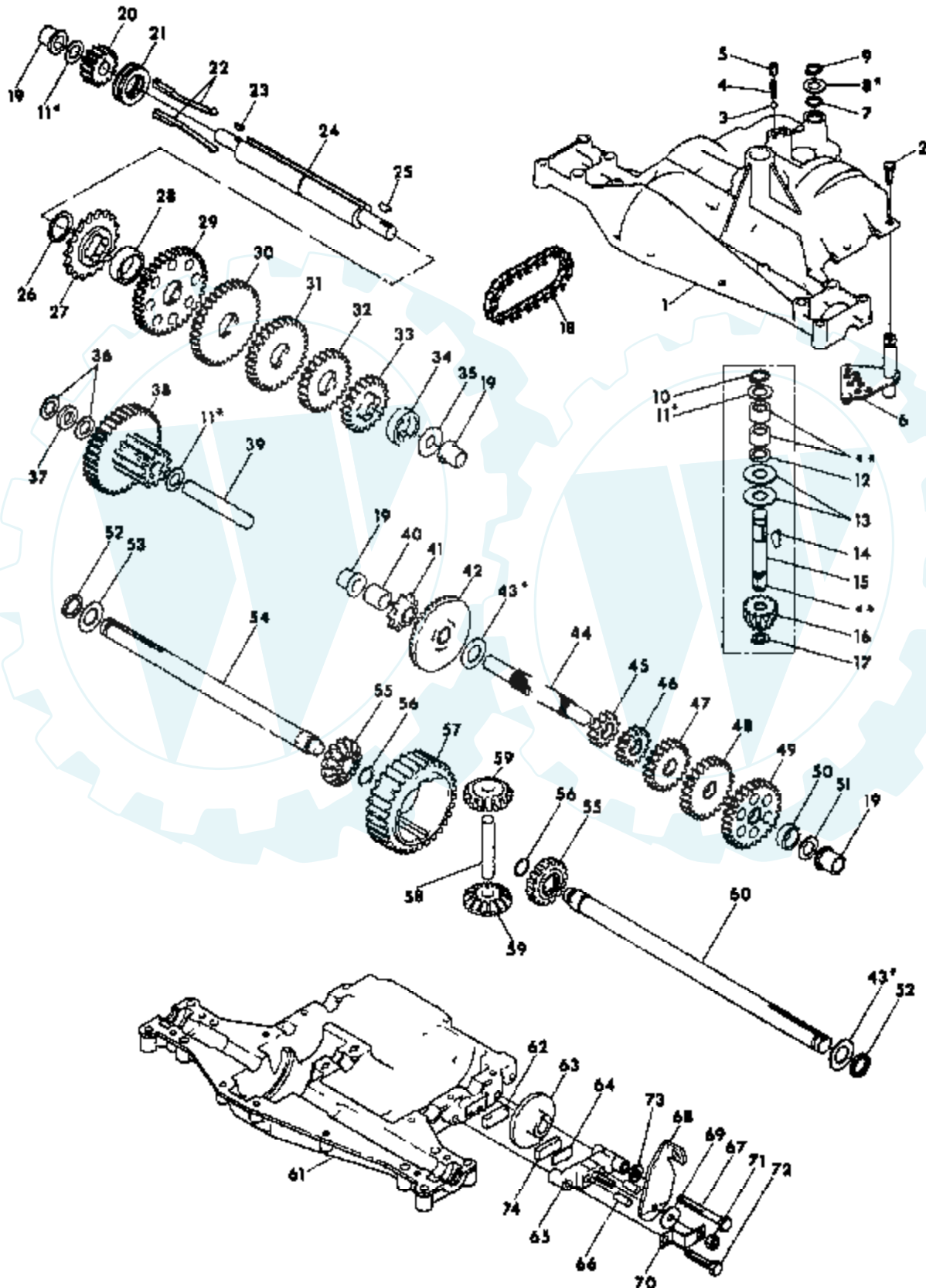


Ref #	Part Number	Qty	Description
1	123042X013		DASH
2	74180512		SCREW
3	73510500		NUT
4	109816X		NYLINER T
5	132772		SUB= 132771
6	17720410		SCREW LT
7	126684X		SUB= 532126684
8	124418X		"TUBE, STR SHAFT"
9	124465X013		SADDLE
10	17490608		SCREW LT
11	2751R		CLIP T
13	133742		ST WHL INSERT CAP
14	7810H		GRIPCO NUT
15	19133808		WASHER T
16	133741		SUB= 150547
17	104820X		ADAPTER-WHEEL LT
18	10040400		LOCKWASHER
19	71070410		"SCREW,SPECIAL"
22	17431008		SUB= 98000165
24	132196		SUB= 155106
25	124036X		"BRKT,STEERING"
26	17490612		SCREW
27	6266H		WASHER .T
28	124034X		SUB= 136874
29	124035X		SUPPORT.SHAFT
30	12000029		RING
31	57079		THRUST WASHER
32	132614		SHAFT ASM
36	127501		SUB= 918127501
39	74011056		BOLT HEX 5/8-11
40	131450		SUB= 142033
41	110438X		BEARING
42	73601000		SUB= 73901000
45	3366R		COL. SRTG. BEAR.
46	130465		TIE ROD
47	126847X		BUSHING.DRAGLINK
48	19131416		WASHER
49	76020412		COTTER PIN
50	10040600		LOCKWASHER
51	73610600		SUB= 7810H
52	130468		SUB= 532130468
53	135227		SPINDLE LH
54	135228		SPINDLE RH
61	121749X		WASHER
67	121748X		WASHER
68	19272016		WASHER
69	121232X		CAP
71	132624		AXLE PIN
72	5479J		PLUG BUTTON T



**12 HP 38" TRACTOR - MODEL NUMBER RL12N38A  
DANA TRANSAXLE - MODEL NUMBER 4360-06**

**TRANSAXLE**

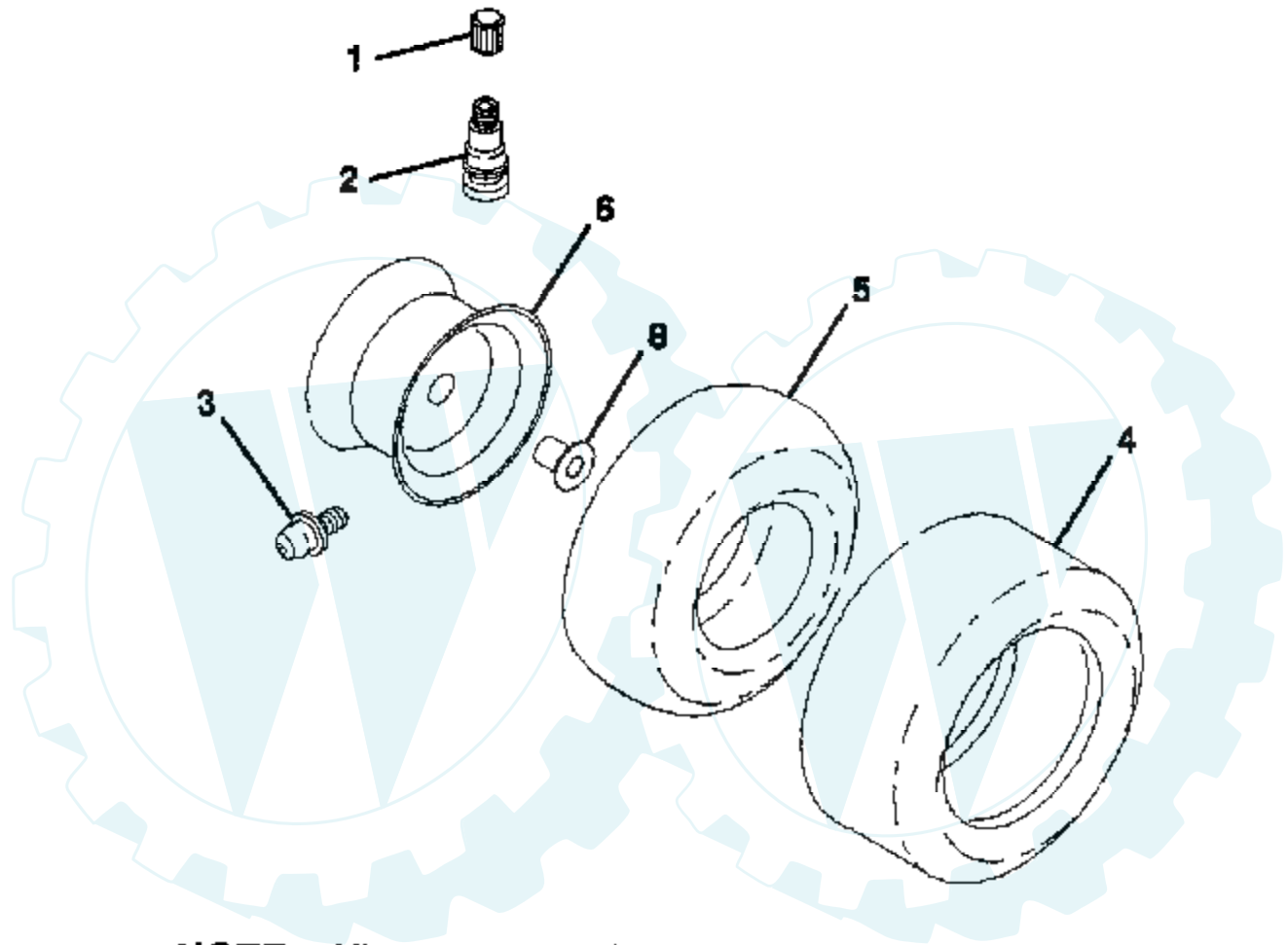


Ref #	Part Number	Qty	Description
1	3865		HOUSING UPPER
2	1919		SCREW
3	1151		BALL DETENT
4	3626		SPRING, DETENT
5	3623		SCREW, SET
6	4336		ASSY SHIFTER
7	3884		O-RING
8	3885		WASHER PLAIN
	3886		WASHER PLAIN
	3887		WASHER PLAIN
	3888		WASHER PLAIN
	3889		WASHER PLAIN
	3121		WASHER PLAIN
	3890		WASHER PLAIN
9	1100		RING RETAINING
10	1099		RING RETAINING
11	1959		WASHER PLAIN
	1441		WASHER PLAIN
	1423		WASHER, PLAIN .632 X 1.00 X .026
	1082		WASHER PLAIN
	1424		WASHER PLAIN
	1068		WASHER PLAIN
	1425		WASHER PLAIN
	1358		WASHER PLAIN
	1145		WASHER, PLAIN .632 X 1.00 X .060
	1319		WASHER PLAIN
12	3312		O-RING
13	3876		WASHER, PLAIN .632 X 1.38 X .046
14	1374		KEY WOODRUFF #9
15	4134		ASSY KIT INPUT SHAFT
16	3590		PINION, BEVEL, 14 TEETH
17	3624		RING, RETAINING
18	3625		CHAIN, 24 PITCHES
19	1542		BEARING, FLANGE
20	3773		GEAR SPUR, 14 TEETH
21	3631		COLLAR CLUTCH
22	3828		KEY CLUTCH
23	1369		KEY WOODRUFF #3
24	3883		SHAFT INTERMEDIATE
25	1375		KEY, WOODRUFF, #61
26	3627		RING, RETAINING
27	3830		SPROCKET, 18 TEETH
28	3841		SPACER
29	3786		GEAR, SPUR, 37 TEETH
30	3867		GEAR, SPUR, 30 TEETH
31	3783		GEAR, SPUR, 25 TEETH
32	3869		GEAR, SPUR, 22 TEETH
33	3741		GEAR SPUR
34	3715		SPACER
35	3628		WASHER, PLAIN .640 X 1.37 X .061
36	1423		WASHER, PLAIN .632 X 1.00 X .026
37	3422		SPACER .630 X 1.00 X .169
38	4286		ASSY GEAR COMB 12&35 TEETH
39	3877		SHAFT IDLER
40	3901		SPACER .635 X .875 X .755
41	3645		SPROCKET, 9 TEETH
42	3853		GEAR BEVEL 42 TEETH
43	3749		WASHER PLAIN

Ref #	Part Number	Qty	Description
	3652		WASHER PLAIN
	3693		WASHER PLAIN
	3653		WASHER PLAIN
	3408		WASHER PLAIN
	3732		WASHER PLAIN
	3184		WASHER, PLAIN .758 X 1.25 X .031
	3733		WASHER PLAIN
	3198		WASHER PLAIN
	3734		WASHER PLAIN
	3735		WASHER PLAIN
	3736		WASHER PLAIN
	3180		WASHER PLAIN
44	3882		SHAFT, DRIVE
45	3646		GEAR, SPUR, 12 TEETH
46	3866		GEAR, SPUR, 20 TEETH
47	3719		GEAR, SPUR, 25 TEETH
48	3868		GEAR, SPUR, 28 TEETH
49	3683		GEAR, SPUR, 31 TEETH
50	3714		SPACER
51	1145		WASHER, PLAIN .632 X 1.00 X .060
52	3191		SEAL FELT
53	3180		WASHER PLAIN
54	3880		AXLE LEFT HAND
55	3780		GEAR, MITER, 15 TEETH
56	3656		RING, RETAINING
57	3839		GEAR, SPUR, 32 TEETH
58	3919		SHAFT, CROSS
59	3781		GEAR, MITER, 15 TEETH
60	3881		AXLE, R.H.
61	3864		HOUSING LOWER
62	3920		PUCK, FRICTION
63	3276		DISC, BRAKE
64	3758		SPACER
65	3916		JAW, BRAKE
66	3843		PIN, DOWEL
67	3915		SCREW TAPPING
68	3768		LEVER, ACTUATING
69	3760		WASHER, PLAIN .321 X 1.00 X .055
70	3917		BRACKET, ANTI-ROTATION
71	3847		LOCKNUT 5/16-24
72	3724		SCREW TAPPING
73	3906		WASHER PLAIN
74	3907		PUCK, FRICTION
75	4300		GREASE

# 12 HP 38" TRACTOR - MODEL NUMBER RL12N38A

## WHEELS & TIRES



**NOTE:** All component dimensions given in U. S. inches  
1 inch = 25.4 mm

Ref #	Part Number	Qty	Description
1	59192		VALVE CAP
2	65139		VALVE STEM LT
3	278H		FITTING LT
4	123969X		TIRE.TS2.18X8.5
4	124157X		SUB= 122073X
5	7152J		TUBE.18X9.5-8
5	59904		TUBE.5.3/4.5/6
6	106108X311		SUB= 106108X427
6	106732X311		SUB= 106732X427
8	9040H		"FLANGE, BEARING"

