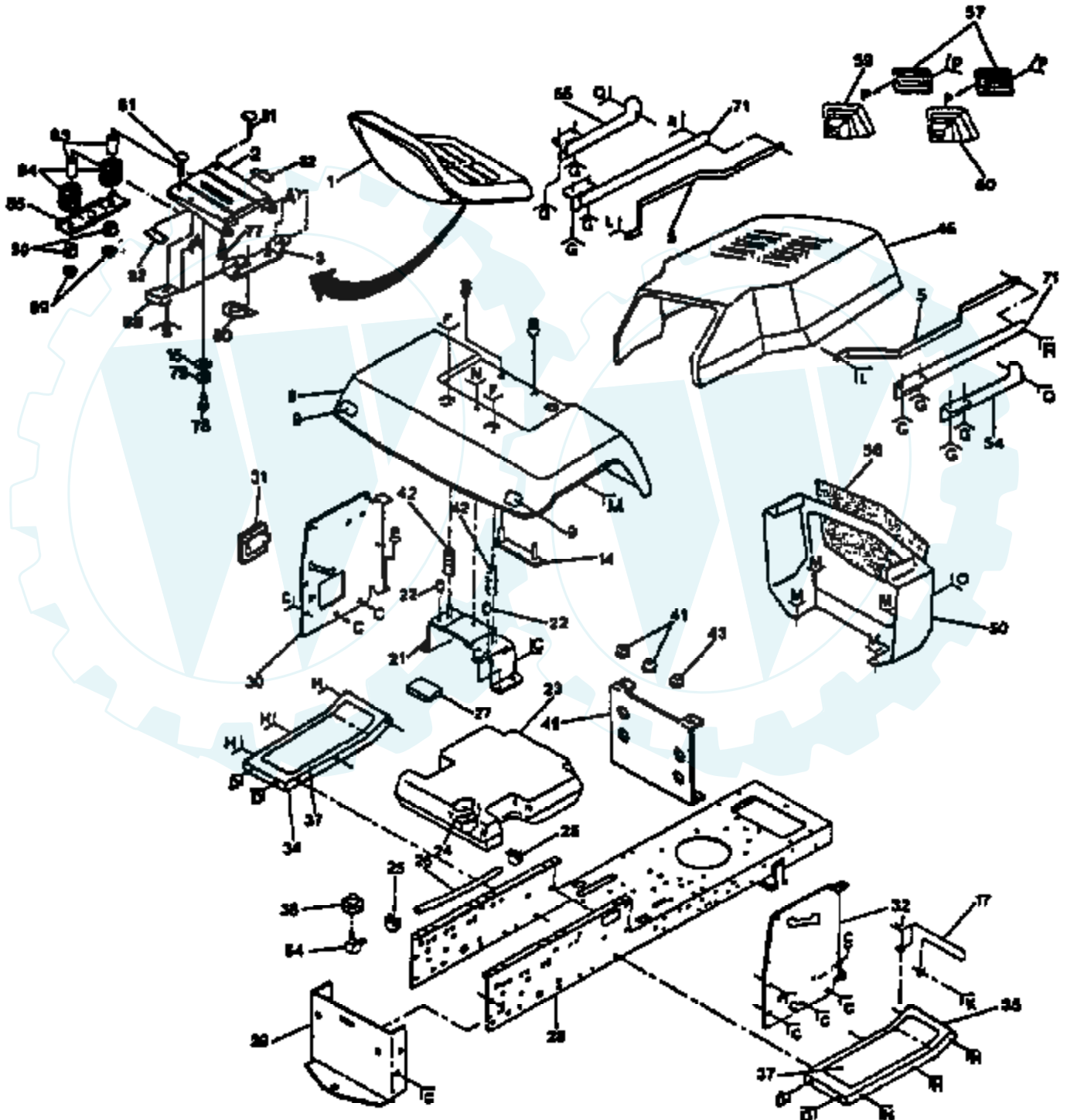


18 HP 44" RIDING GARDEN TRACTOR -- MODEL NUMBER RL1844B

CHASSIS AND ENCLOSURES

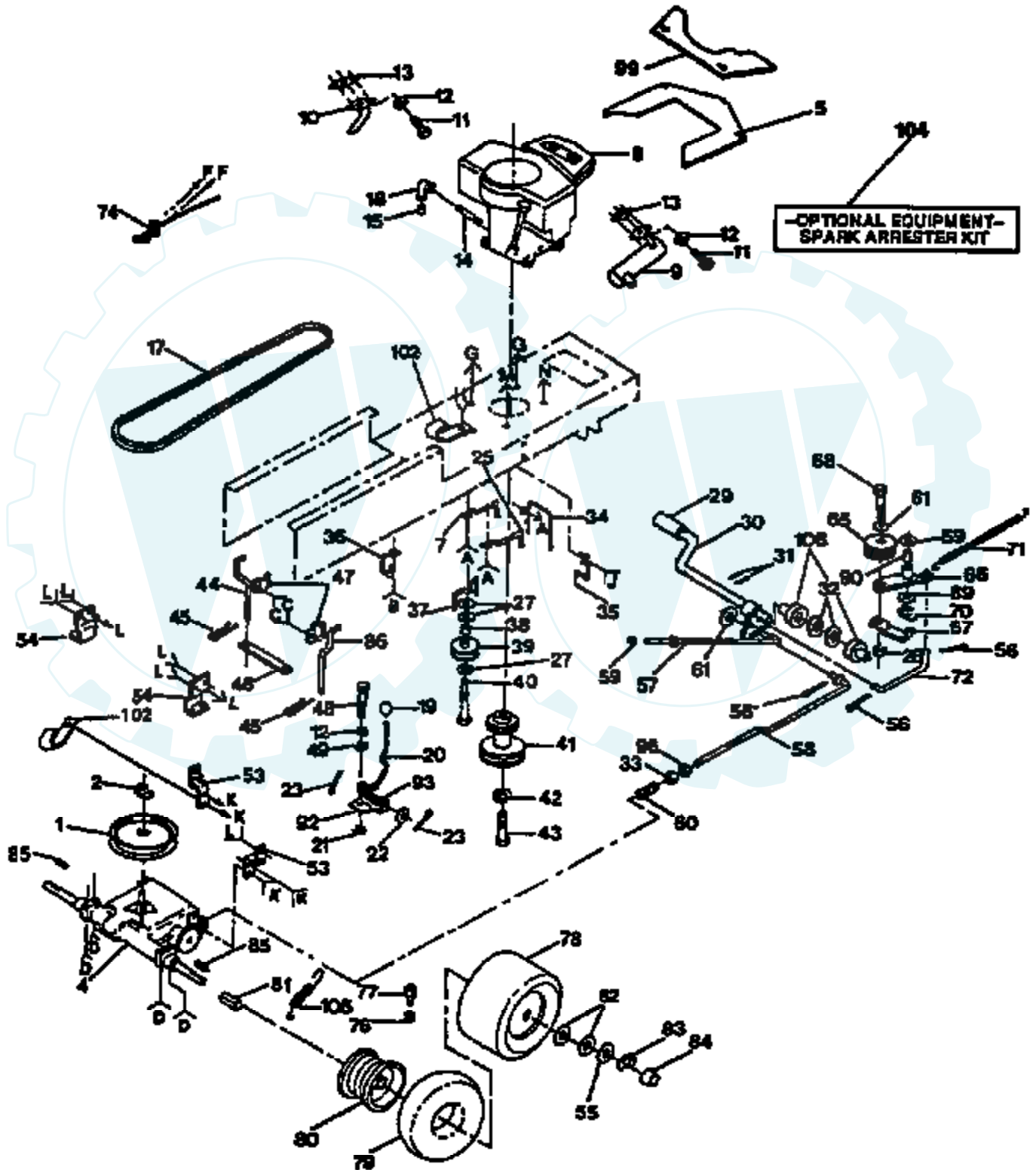


Ref #	Part Number	Qty	Description
1	127433		SUB= 140121
2	124294X		SUB= 155925
3	126656X		SUB= 140551
4	105529X		SUB= 139888
5	109587X		NLA
6	73680500		SUB= 73690500
7	73680600		SUB= 73690600
8	121642X419		FENDER
9	106202X		REFLECTOR-TAIL YT
11	17490612		SCREW
12	19131312		WASHER
13	74760612		SUB= 74780612
15	105511X		SUB= 140675
17	108885X		GUARD MUFFLER HYT
18	73510600		NUT
20	19131614		WASHER
21	105509X		SUB= 137113
22	105531X		NUT-PUSH YT
23	127334X		SUB= 151346
24	124549X		"BOLT,SHOULDER"
25	123487X		HOSE CLAMP
26	5277J		SUB= 8543R
28	127166X		CHASSIS
29	127866		DRAWBAR LT/YT
30	109665X		SUB= 532132072
31	121794X		COVER ACCESS
32	106976X		PANEL DASH RH YT
33	74760412		BOLT LT
35	105464X419		FOOTREST RH
36	72140606		BOLT
37	128866		"PAD,FOOTREST"
38	3645J		BUSHING OUTLET T
39	10040400		LOCKWASHER
41	9151R		SNAP BUSHING T
42	124181X		SPRING COMPRESSION
43	110436X		SUB= 9151R
44	19090816		WASHER
45	104920X		NLA
46	3607J366		SUB= 3607J419
48	73680400		SUB= 73690400
49	17490608		SCREW LT
50	5351J419		GRILL T
54	677A876		STRAP ASSY T
55	677A875		STRAP ASSY T
56	101235L		SCREEN GRILL GTV
57	109671X		LENS T
58	17990808		SCREW
59	7606J366		SUB= 7606J361
60	7607J366		SUB= 7607J361
63	74760616		BOLT
64	8710J		FUEL TANK STEM GT
66	17490616		SCREW GTV
67	19131616		WASHER HYT
68	19131316		WASHER
69	17511208		SCREW
70	8019J		SUB= 19071018
71	677A432		STRAP ASSY-REAR T
72	17411310		SUB= 17521312

Ref #	Part Number	Qty	Description
73	7605J		BOLT T
74	73220400		SUB= 50675
75	124549X		"BOLT,SHOULDER"
77	127018X		"BOLT,SHOULDER"
78	74780814		BOLT
79	10040800		LOCKWASHER
80	2751R		CLIP T
81	72170410		BOLT
82	121251X		STRIP FORM
83	121249X		SPACER SPLIT
84	123740X		SPRING COMPRESSED
85	121246X		BRKT SWITCH
86	74641008		SUB= 71031008
87	73951000		"NUT,KEPS"
88	4171R		CLIP T
89	123976X		SUB= 73900400
90	121248X		BUSHING
	127043		NLA
	127042		DECAL PANEL T
	127041		NLA
	127040		NLA
	127036		NLA
	127037		"DECAL,FENDER"
	109199X		SUB= 146046
	120822X		DECAL
	101892X		DECAL T
	121892X		DECAL DASH

18 HP 44" RIDING GARDEN TRACTOR -- MODEL NUMBER RL1844B

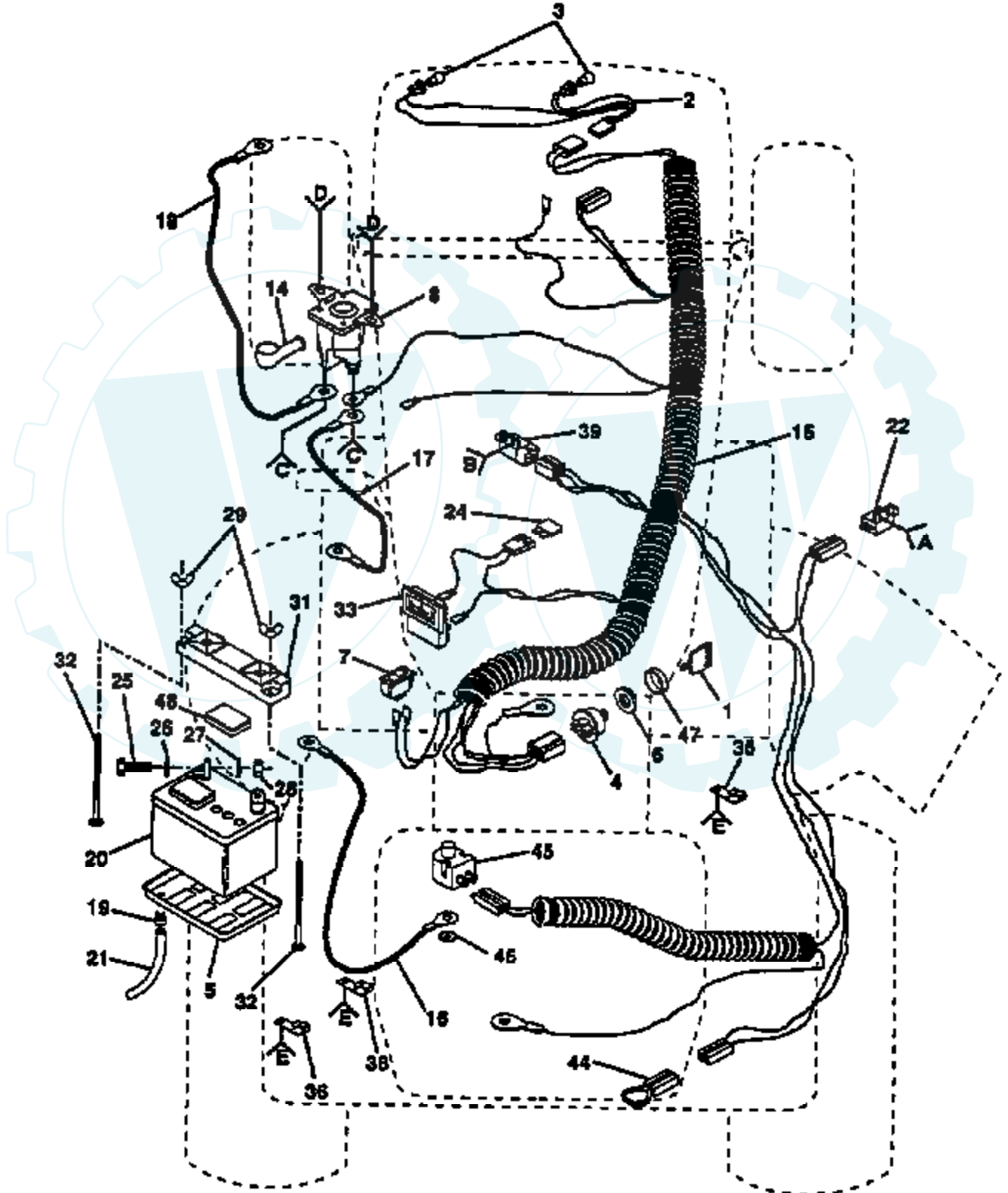
DRIVE



Ref #	Part Number	Qty	Description
1	123667X		"PULLEY,TRANSAXLE"
2	12000004		RING
4	124162X		SUB= 137367
5	123190X		SHIELD HEAT FRT
6	19131314		WASHER
7	121218X		KEEPER BELT ENGLH
8	110928X		ENGINE
9	108373X		MUFFLER HYT
10	100229L		EXHAUST TUBE T
11	74780412		SUB= 74780414
12	10040400		LOCKWASHER
13	8545J		SUB= 272250
14	13280336		PIPE NIPPLE LT
15	13300300		COUPLING LT
17	125908X		BELT-V
18	13200300		ELBOW
19	106933X		KNOB T (1/2-HOLE)
20	124461X		ROD SHIFTER
21	105701X		WASH-SHFT PLT LT
22	19151216		WASHER
23	76020416		PIN COTTER 1/8
24	17490612		SCREW
25	105730X		"KEEPER,BLT ENG LT"
26	74760616		BOLT
27	19131312		WASHER
28	73680600		SUB= 73690600
29	8883R		PEDAL COVER T
30	122424X		SUB= 149001
31	1572H		SUB= 2882J
32	19211616		WASHER LT
33	73800600		NUT
34	121440X		BELT GUIDE
35	121441X		BELT GUIDE
36	104777X		SUB= 140312
37	109070X		BELT KEEPER LT
38	4470J		SPACER T
39	123674X		PULLEY.IDLER.FLAT
40	74760644		BOLT
41	105731X		SUB= 137326
42	10040700		LOCKWASHER
43	71130720		BOLT
44	122067X		KEEPER BELT
45	4921H		SPRING.RETAINER
46	122066X		STRAP LOCATOR
47	106190X		CLAMP LT
48	71040412		SUB= 74550412
49	19091210		WASHER LT
50	74760512		BOLT
51	73680500		SUB= 73690500
52	74760544		SUB= 74780544
53	121520X		STRAP TORQUE
54	109167X		BRACKET LT
55	121748X		WASHER
56	76020412		COTTER PIN
57	125637X		ROD BRAKE PARK
58	110437X		BRAKE ROD LT
59	71673		PLUNGER CAP T
60	106888X		SPRING ROD LT

Ref #	Part Number	Qty	Description
61	19131316		WASHER
62	121749X		WASHER
65	123766X		SUB= 139245
66	123789X		ARM IDLER
67	123205X		RETAIN BELT
68	74760624		SUB= 74930624
69	110812X		WASHER LT
70	12000039		KLIP RING
71	105709X		"SPRING, RETURN LT"
72	105710X		"LINK, CLUTCH T"
74	121732X		SUB= 133439
75	17720410		SCREW LT
76	59192		VALVE CAP
77	65139		VALVE STEM LT
78	122082X		SUB= 918122082X
79	7152J		TUBE.18X9.5-8
80	108457X311		RIM
81	109502X		SPACER LT
83	12000001		E-RING LT
84	104757X		HUB CAP
85	123583X		SQUARE KEY
86	122068X		KEEPER BELT
87	17490624		SCREW LT
89	74760612		SUB= 74780612
90	105706X		"LY, BEARING"
92	106919X		PLATE SHIFT LT
93	105700X		SPRING LT
94	11050600		LOCKWASHER
95	73510600		NUT
96	73350600		NUT
98	19132012		WASHER
99	109740X		REAR BAFFLE T
101	17490512		SCREW
102	2751R		CLIP T
104	100091M		SUB= 132922
105	110422X		SUB= 146682
106	120183X		NYLON BEARING
	121120X		DECAL

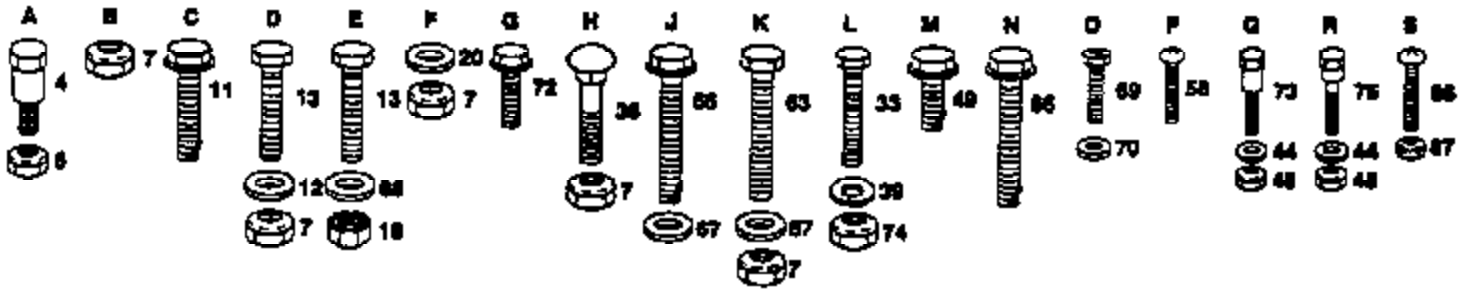
18 HP 44" RIDING GARDEN TRACTOR -- MODEL NUMBER RL1844B ELECTRICAL



Ref #	Part Number	Qty	Description
1	122147X		KEY
2	110859X		HARNESS T
3	7662J		SUB= 4152J
4	4406R		SUB= STD365402
5	7603J		"TRAY T, BATTERY"
6	109788X		SUB= 124211X
7	110712X		SWITCH LT
8	109081X		SUB= 146154
9	10090400		SUB= 10040400
10	73350400		NUT
11	74780408		BOLT
12	11050400		LOCKWASHER
13	73510400		NUT
14	719J		SUB= 154336
15	122918X		HARNESS
16	4799J		"CABLE T, BATTERY"
17	109670X		CABLE LT
18	4207J		CABLE T
19	109596X		HOSE CLAMP T
20	121537X		SUB= 123899X
21	100541K		SUB= 7697J
22	104445X		SWITCH-INTER. GT
23	17021008		SCREW
24	108824X		FUSE HYT
25	74760412		BOLT LT
26	19091016		WASHER
27	10040400		LOCKWASHER
28	73220400		SUB= 50675
29	123198X		SUB= 146525
31	102476X		SUB= 150109
32	72240460		BOLT
33	121433X		SUB= 122822X
36	235R		CLIPT
38	73680400		SUB= 73690400
39	109553X		SWITCH INTERLOCKT
42	71031008		SCREW
43	73951000		"NUT,KEPS"
44	102501X		SUB= 141940
45	121305X		SWITCH SEAT
46	11050600		LOCKWASHER
47	109787X		SUB= 147626
48	121264X		"CAP,BATTERY "
	MS-5361		OPERATING & MAINTENANCE INSTRUCTION MANUAL
	127716X		NLA
	127717X		NLA
	101539X		SHEET INSTR LT
	101572X		SHEET-INSTRUCTION (FRENCH)
	121549X		DECAL

18 HP 44" RIDING GARDEN TRACTOR -- MODEL NUMBER RL1844B

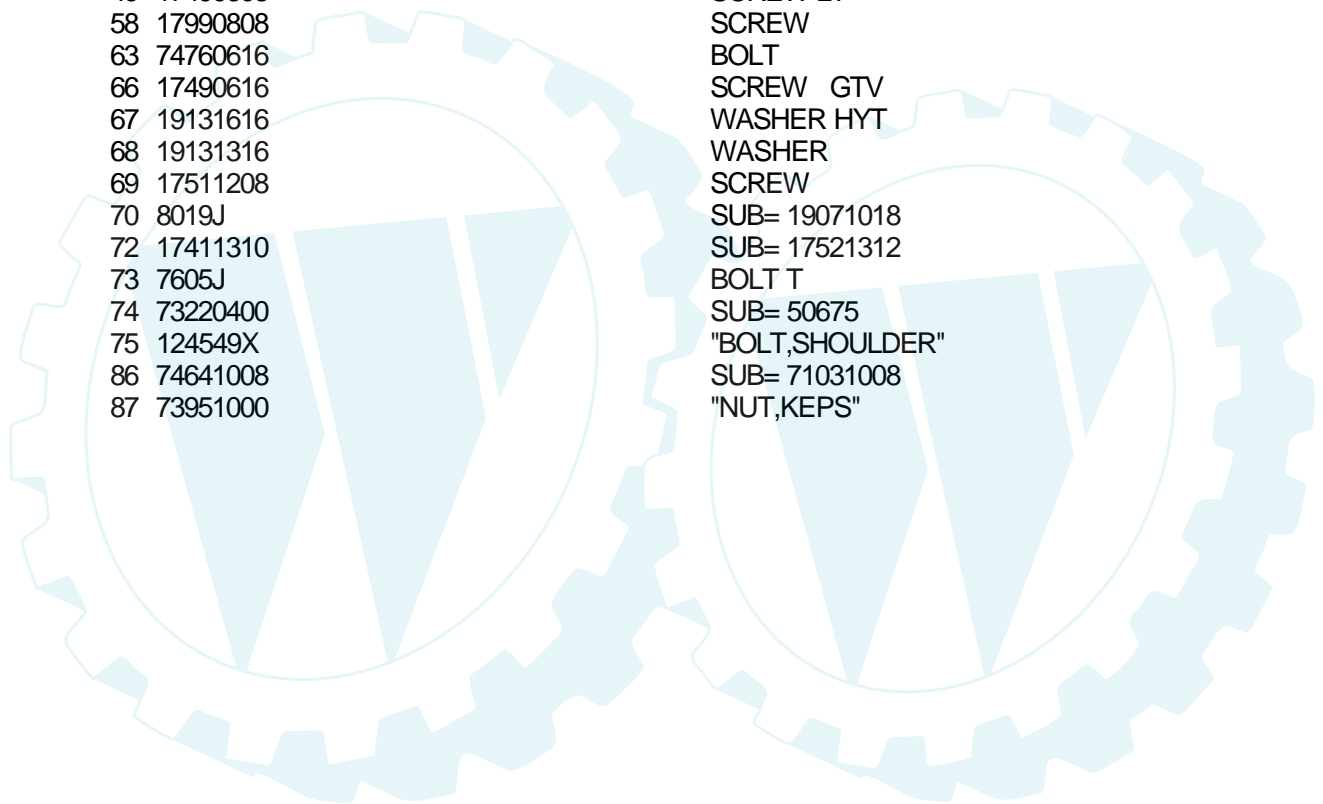
CHASSIS AND ENCLOSURES



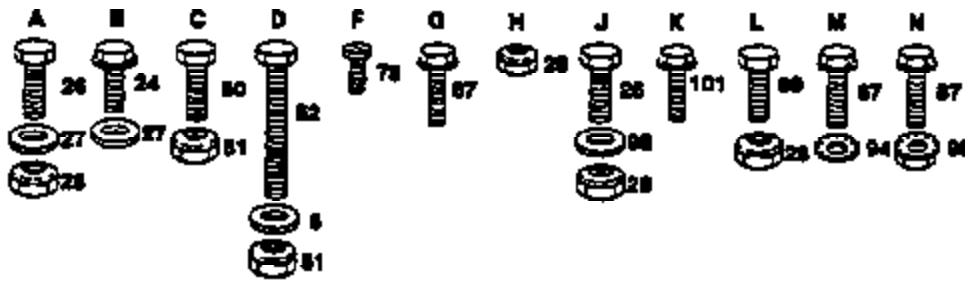
***STANDARD HARDWARE - PURCHASE LOCALLY**

NOTE: All component dimensions given in U.S. inches
1 Inch = 25.4 mm

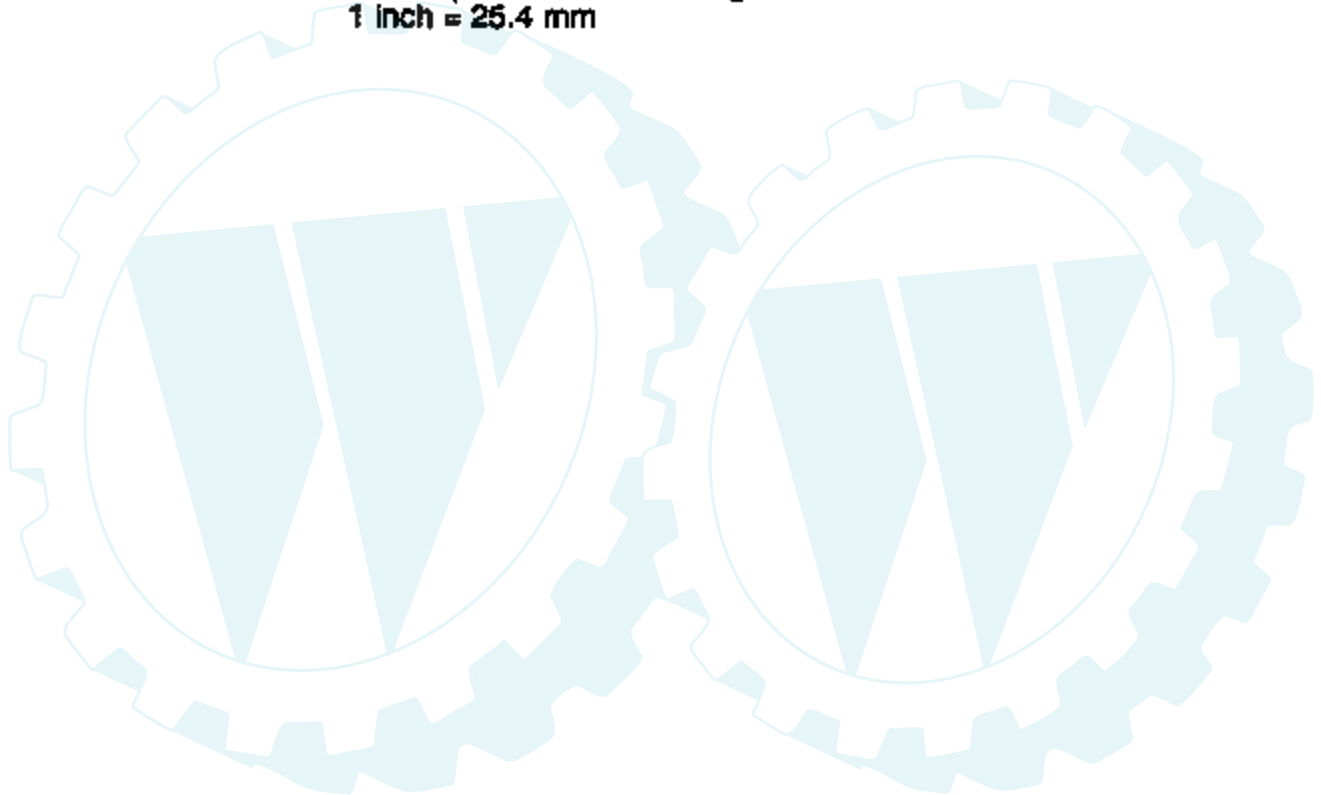
Ref #	Part Number	Qty	Description
4	105529X		SUB= 139888
6	73680500		SUB= 73690500
7	73680600		SUB= 73690600
11	17490612		SCREW
12	19131312		WASHER
13	74760612		SUB= 74780612
18	73510600		NUT
20	19131614		WASHER
33	74760412		BOLT LT
36	72140606		BOLT
39	10040400		LOCKWASHER
44	19090816		WASHER
48	73680400		SUB= 73690400
49	17490608		SCREW LT
58	17990808		SCREW
63	74760616		BOLT
66	17490616		SCREW GTV
67	19131616		WASHER HYT
68	19131316		WASHER
69	17511208		SCREW
70	8019J		SUB= 19071018
72	17411310		SUB= 17521312
73	7605J		BOLT T
74	73220400		SUB= 50675
75	124549X		"BOLT,SHOULDER"
86	74641008		SUB= 71031008
87	73951000		"NUT,KEPS"



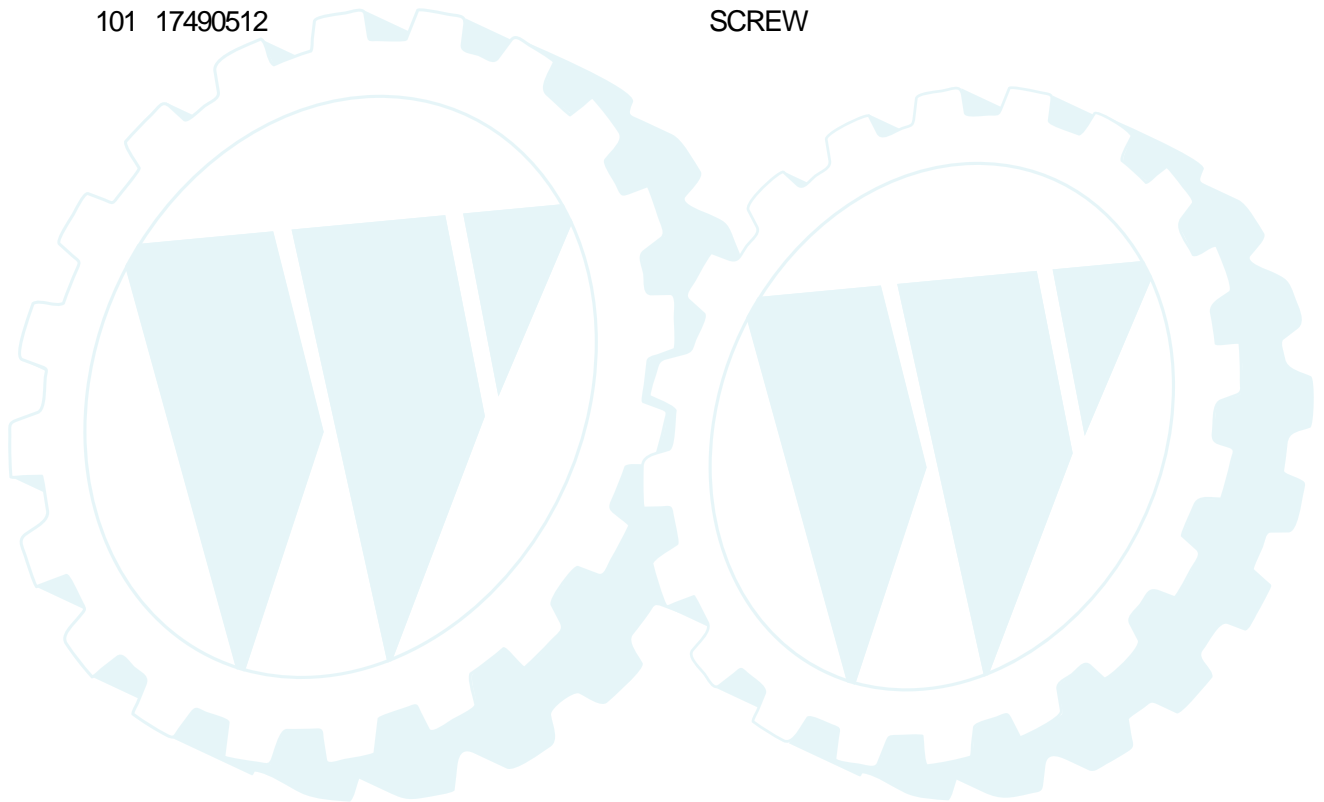
18 HP 44" RIDING GARDEN TRACTOR -- MODEL NUMBER RL1844B



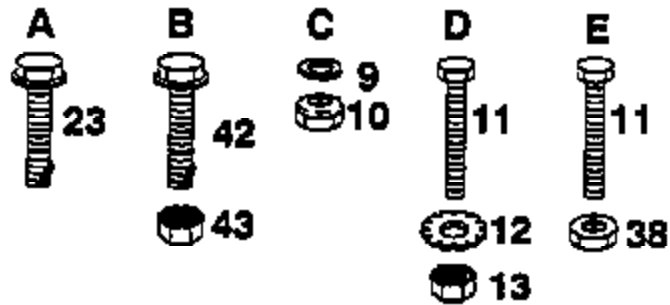
* STANDARD HARDWARE – PURCHASE LOCALLY
NOTE: All component dimensions given in U.S. inches
1 inch = 25.4 mm



Ref #	Part Number	Qty	Description
6	19131314		WASHER
24	17490612		SCREW
26	74760616		BOLT
27	19131312		WASHER
28	73680600		SUB= 73690600
50	74760512		BOLT
51	73680500		SUB= 73690500
62	121749X		WASHER
76	59192		VALVE CAP
87	17490624		SCREW LT
94	11050600		LOCKWASHER
96	73350600		NUT
98	19132012		WASHER
99	109740X		REAR BAFFLE T
101	17490512		SCREW

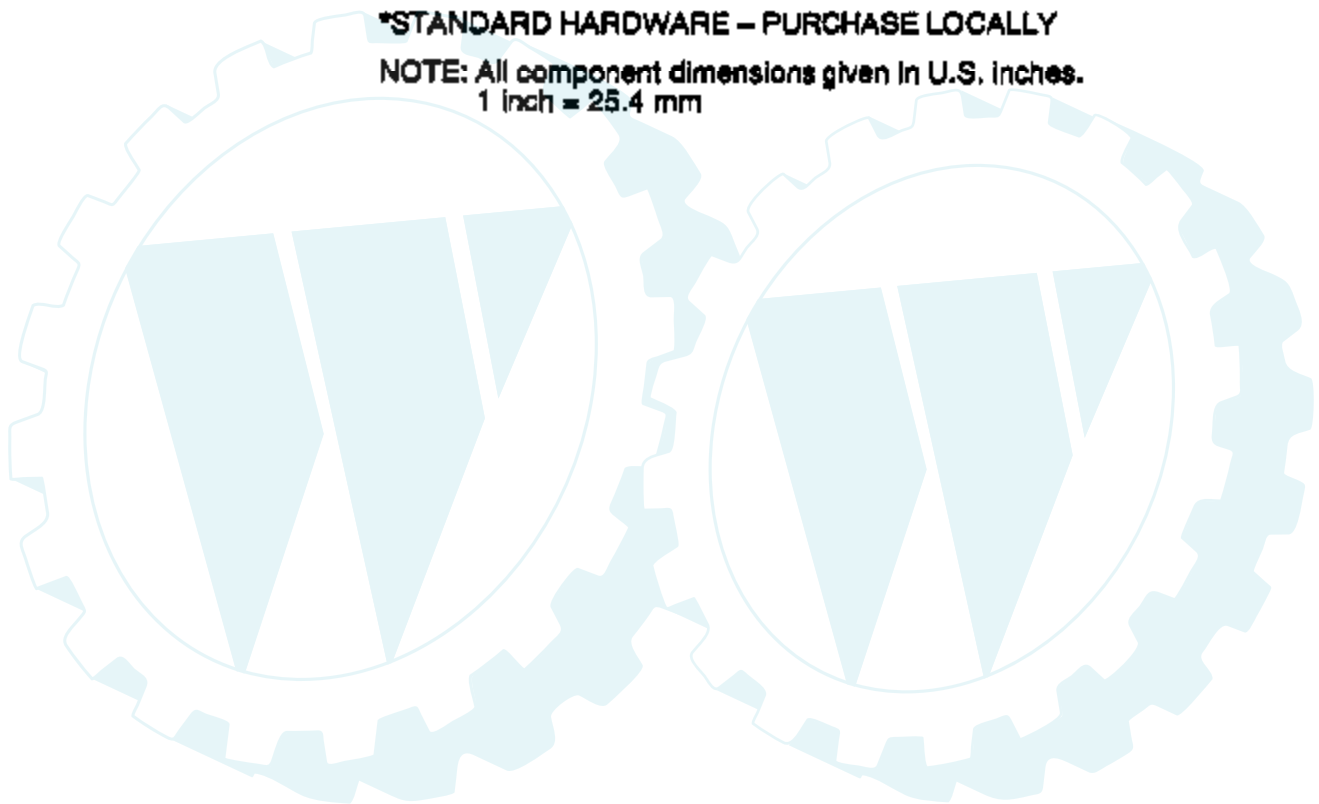


18 HP 44" RIDING GARDEN TRACTOR -- MODEL NUMBER RL1844B ELECTRICAL



*STANDARD HARDWARE - PURCHASE LOCALLY

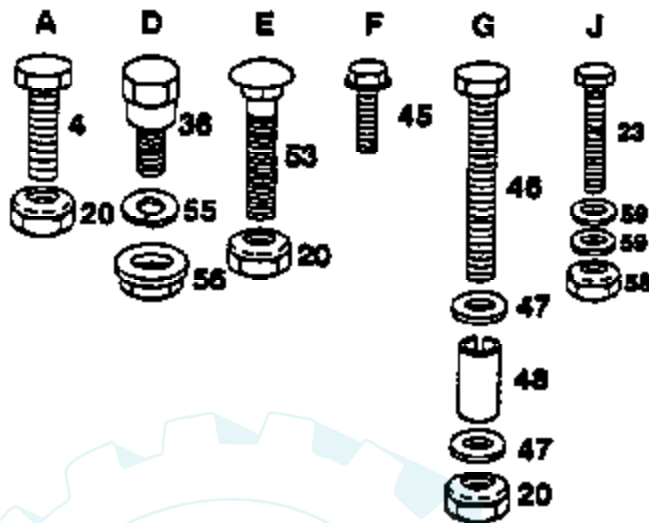
NOTE: All component dimensions given in U.S. inches.
1 inch = 25.4 mm



Ref #	Part Number	Qty	Description
9	10090400		SUB= 10040400
10	73350400		NUT
11	74780408		BOLT
12	11050400		LOCKWASHER
13	73510400		NUT
23	17021008		SCREW
38	73680400		SUB= 73690400
42	71031008		SCREW
43	73951000		"NUT,KEPS"



18 HP 44" RIDING GARDEN TRACTOR -- MODEL NUMBER RL1844B



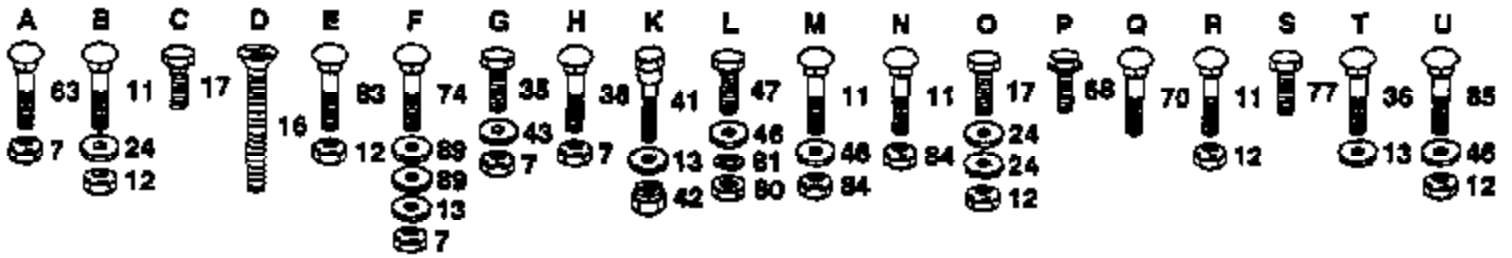
* STANDARD HARDWARE PURCHASE LOCALLY

NOTE: All component dimensions given in U.S. inches
1 inch = 25.4 mm

Ref #	Part Number	Qty	Description
4	74760612		SUB= 74780612
20	73680600		SUB= 73690600
23	74760412		BOLT LT
36	105848X		"BOLT, SHOULDER LT"
45	17021008		SCREW
46	74760624		SUB= 74930624
47	19121612		WASHER LT
48	108056X		BUSHING YT
53	72140608		SUB= 72110608
55	110739X		WASHER T
56	73980600		NUT SPECIAL T
58	73680400		SUB= 73690400
59	19091616		WASHER



18 HP 44" RIDING GARDEN TRACTOR -- MODEL NUMBER RL1844B

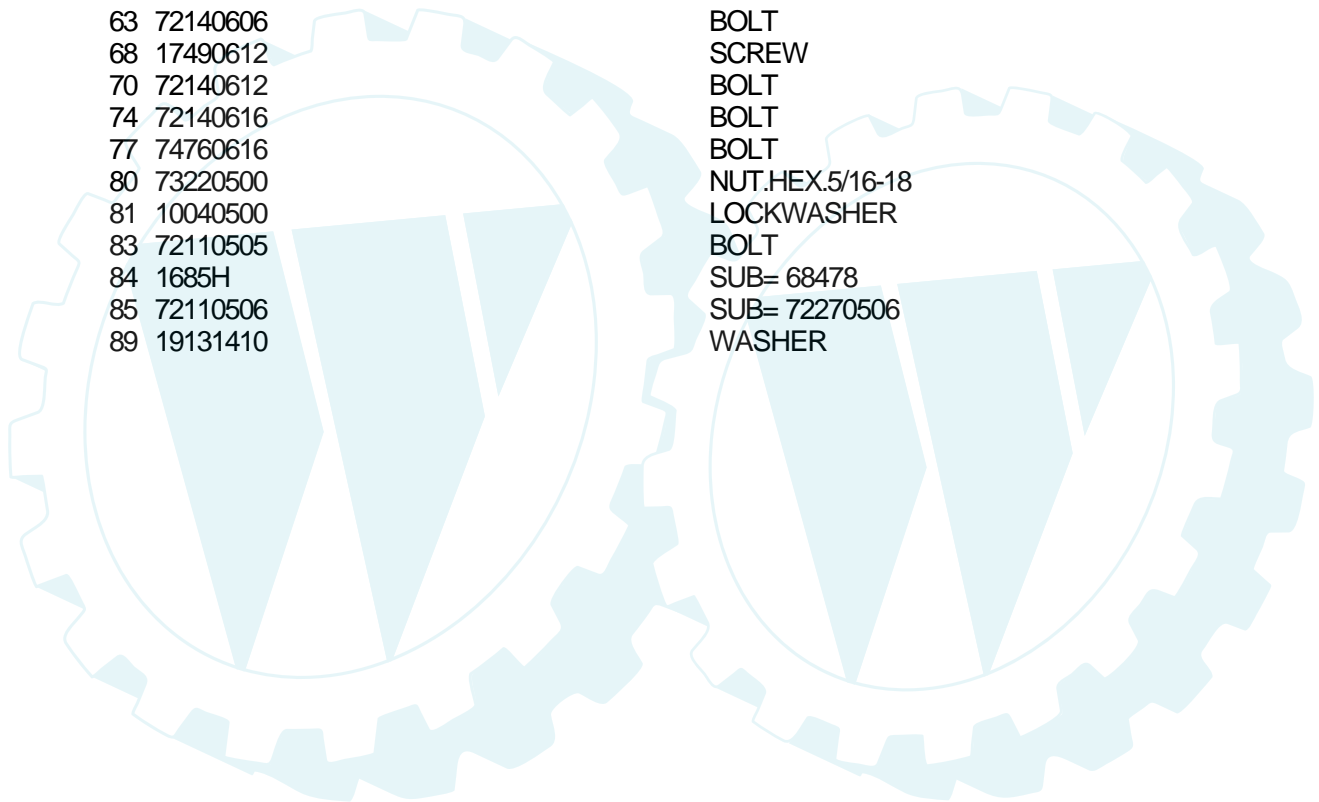


*STANDARD HARDWARE - PURCHASE LOCALLY

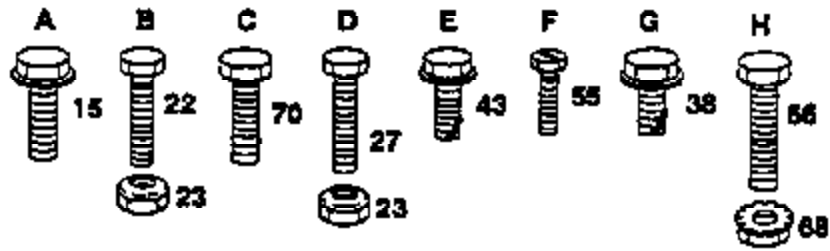
NOTE: All component dimensions given in U.S. inches
1 inch = 25.4 mm



Ref #	Part Number	Qty	Description
7	73680600		SUB= 73690600
11	72140506		BOLT
12	73680500		SUB= 73690500
13	19131614		WASHER
16	74110632		SCREW YT
17	74760620		SUB= 74780620
24	19111216		WASHER M
35	74760648		BOLT - HEX 3/8 - 16 X 3
36	72140608		SUB= 72110608
41	121827X		BOLT SHOULDER
42	73930600		LOCKNUT
43	19131316		WASHER
46	19111116		WASHER
47	74760520		BOLT
63	72140606		BOLT
68	17490612		SCREW
70	72140612		BOLT
74	72140616		BOLT
77	74760616		BOLT
80	73220500		NUT.HEX.5/16-18
81	10040500		LOCKWASHER
83	72110505		BOLT
84	1685H		SUB= 68478
85	72110506		SUB= 72270506
89	19131410		WASHER

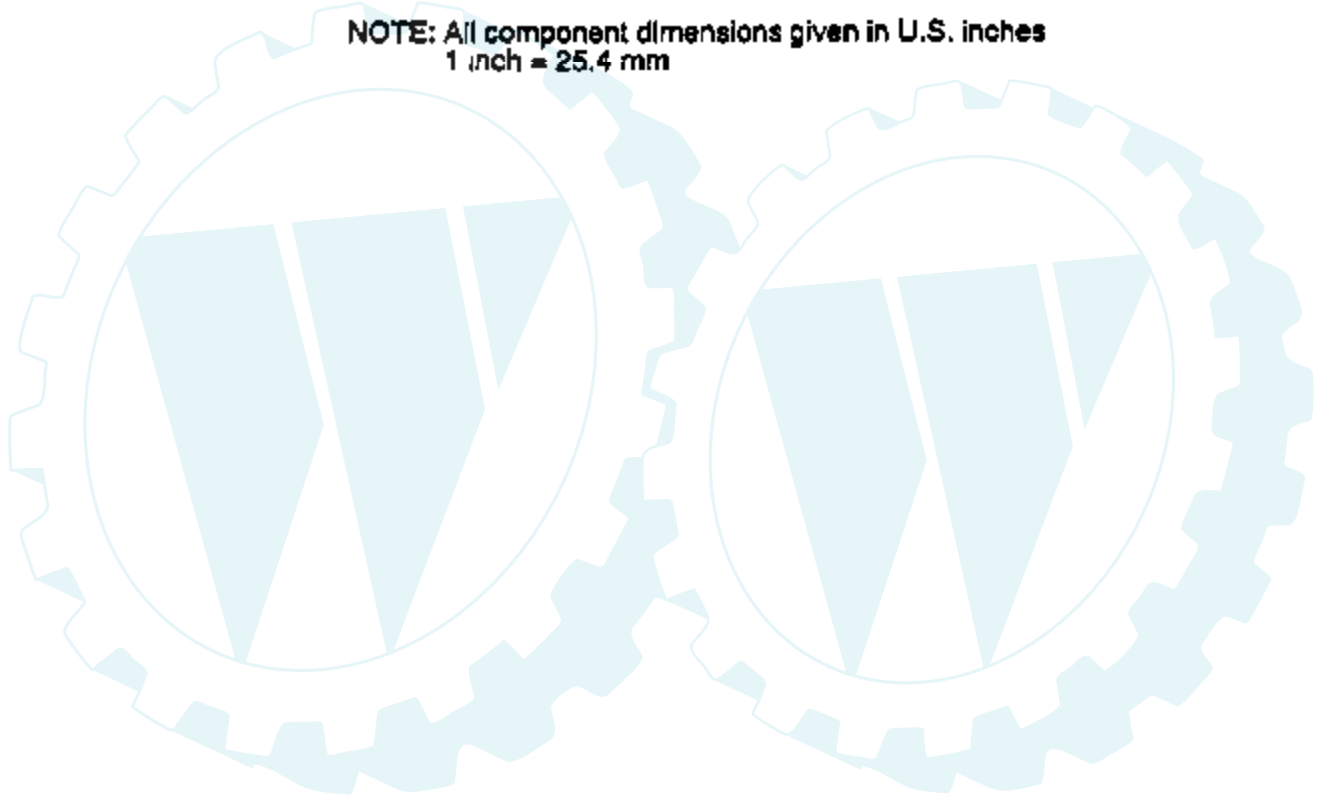


18 HP 44" RIDING GARDEN TRACTOR -- MODEL NUMBER RL1844B STEERING ASSEMBLY



*STANDARD HARDWARE - PURCHASE LOCALLY

NOTE: All component dimensions given in U.S. inches
1 inch = 25.4 mm

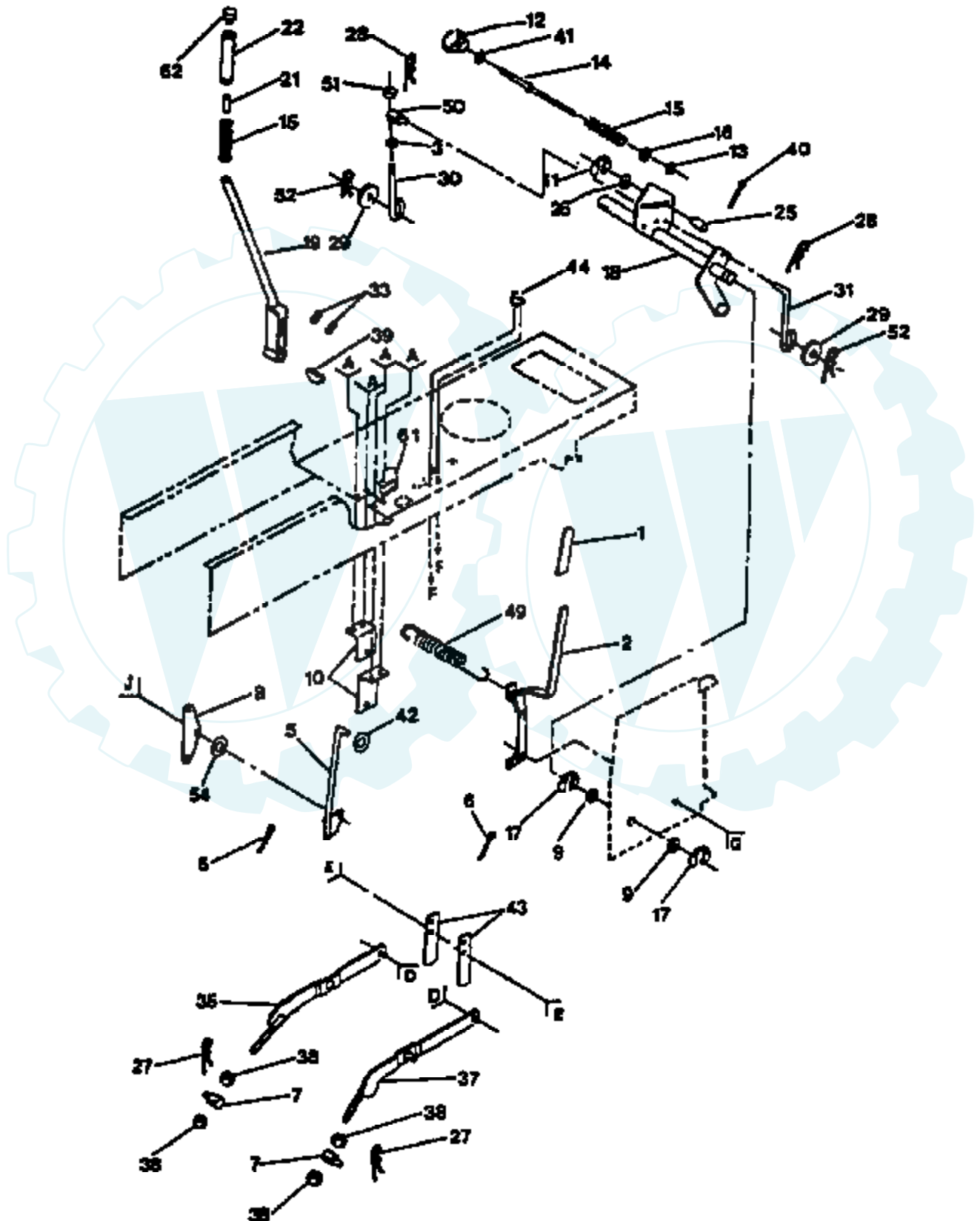


Ref #	Part Number	Qty	Description
15	122819X		SCREW SPECIAL
22	74180512		SCREW
23	73510500		NUT
27	74760512		BOLT
38	17490608		SCREW LT
43	17490508		SCREW LT
55	17431008		SUB= 98000165
66	74760616		BOLT
68	73510600		NUT
70	17490612		SCREW



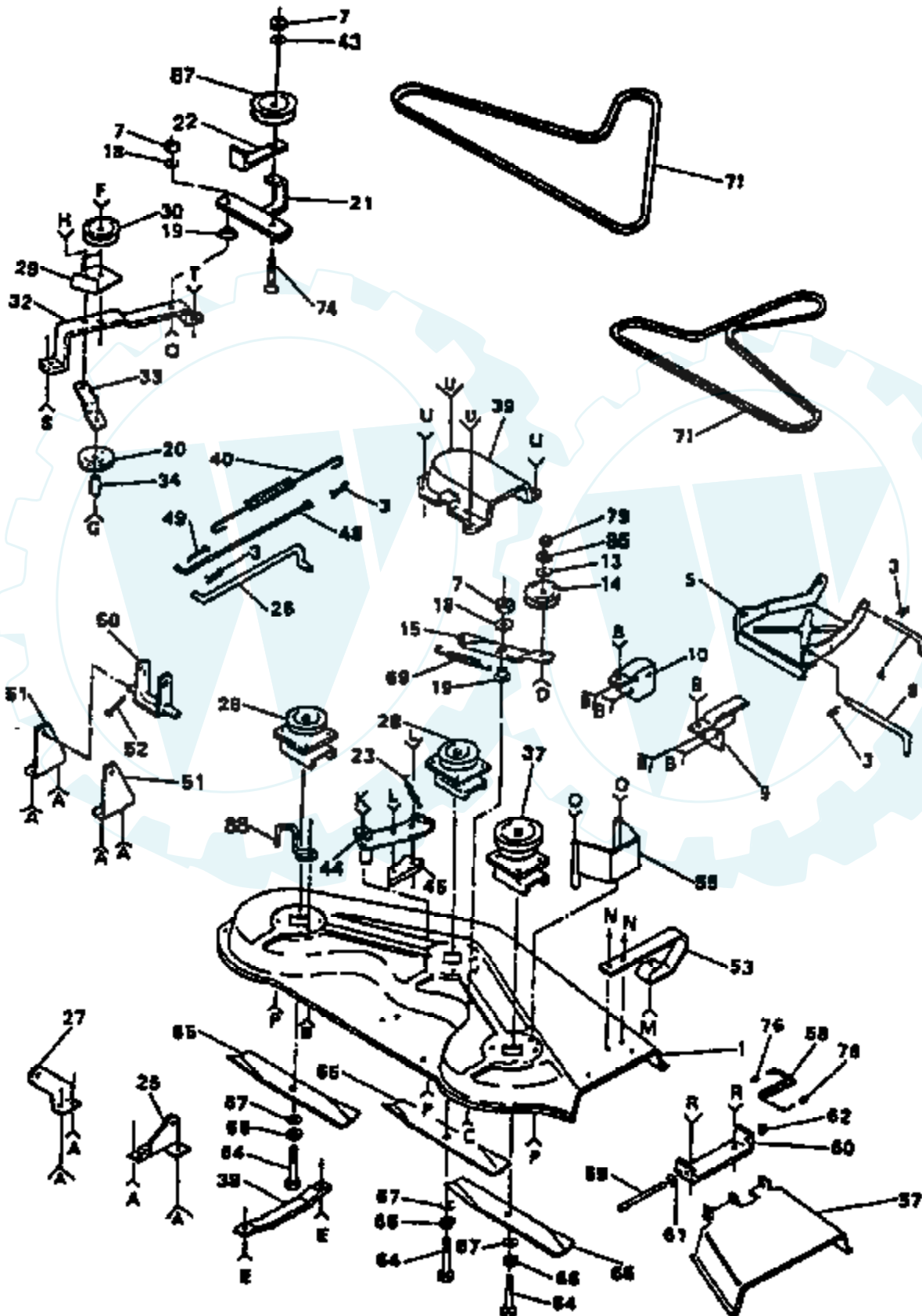
18 HP 44" RIDING GARDEN TRACTOR -- MODEL NUMBER RL1844B

LIFT ADJUSTMENT



Ref #	Part Number	Qty	Description
1	4617J		SUB= 532131861
2	106983X		HANDLE YT
3	73710700		NUT LOCK YTH
4	74760612		SUB= 74780612
5	108451X		ROD ASSEM YT
6	76020412		COTTER PIN
7	106308X		SUB= 130171
8	109728X		"T, BELLCRANK"
9	19292016		WASHER
10	106444X		"BRKT,BELLCRAN T"
11	12000037		KLIP RING
12	100734K		SUB= 138057
13	110807X		NUT T
14	110729X		ROD LIFT LT
15	2876H		SPRING T
16	19131016		WASHER
17	12000022		E-RING
18	120174X		SHAFT T
19	121718X		LEVER LIFT
20	73680600		SUB= 73690600
21	122364X		SUB= 125925X
22	109413X		GRIP
23	74760412		BOLT LT
25	110810X		TRUNION LT
26	19151216		WASHER
27	9135R		SPRING H
28	4939M		SUB= 85902
29	19171516		WASHER T
30	110448X		PIVOT PIN T
31	110029X		LIFT LINK LT
33	23180606		SCREW
35	121599X		LH SUSP ARM ASM
36	105848X		"BOLT, SHOULDER LT"
37	121598X		RH SUSP ARM ASM
38	73220800		NUT
39	8330H		KEY STD
40	76020308		SUB= 3145
41	73350600		NUT
42	19131312		WASHER
43	121252X		UPSTOP
44	108236X		BRACKET LT
45	17021008		SCREW
46	74760624		SUB= 74930624
47	19121612		WASHER LT
48	108056X		BUSHING YT
49	102727X		"SPRING.EXT.8.5""
50	110447X		SUB= 132793
51	73360700		NUT
52	4921H		SPRING.RETAINER
53	72140608		SUB= 72110608
54	19131410		WASHER
55	110739X		WASHER T
56	73980600		NUT SPECIAL T
58	73680400		SUB= 73690400
59	19091616		WASHER
61	5320J		SUB= 5320R
62	124385X		SUB= 125925X

18 HP 44" RIDING GARDEN TRACTOR -- MODEL NUMBER RL1844B MOWER

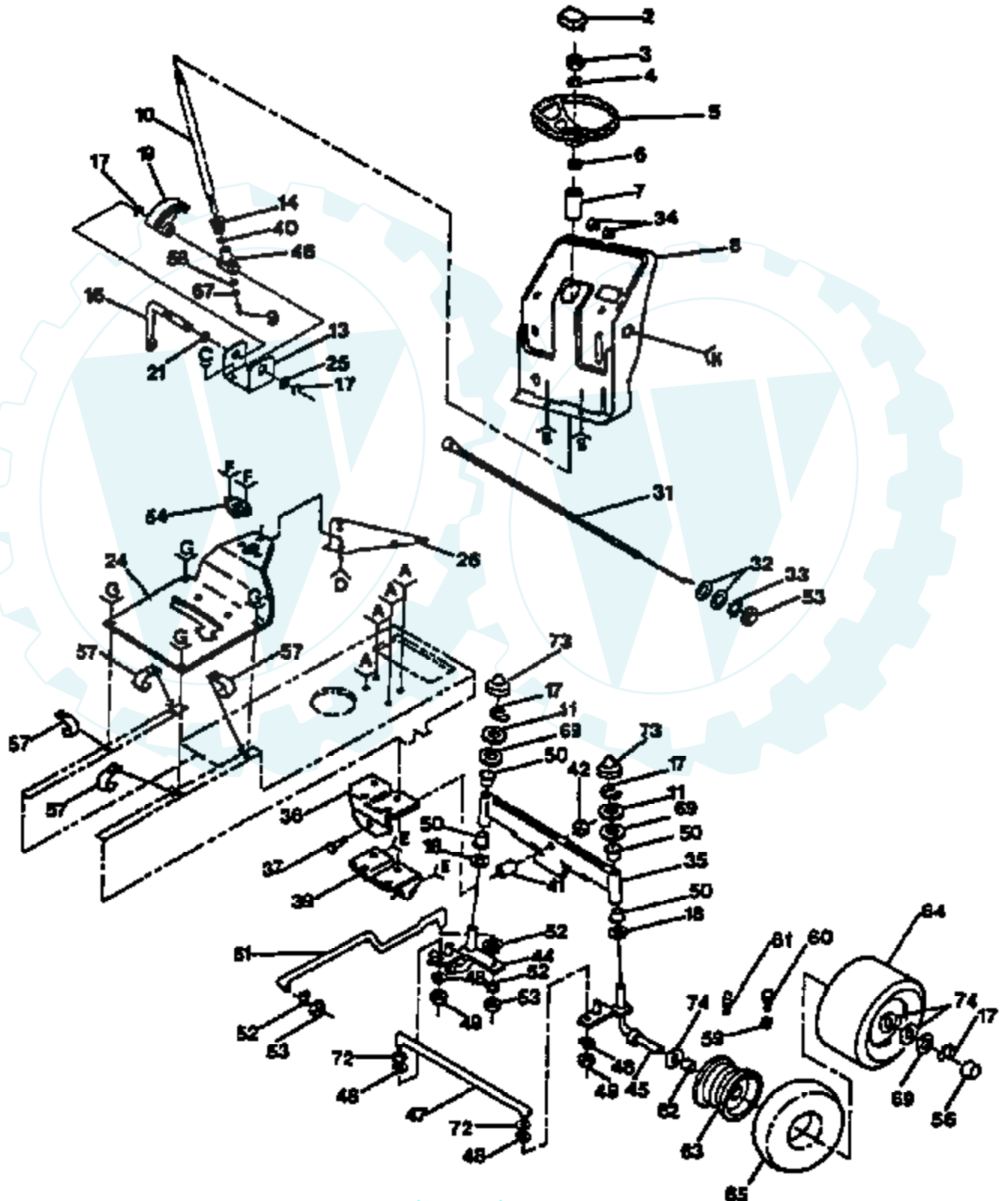


Ref #	Part Number	Qty	Description
1	121423X		SUB= 144729
2	105662X		LINK.PARALLEL
3	4921H		SPRING.RETAINER
4	105744X		"ROD, FRT. PARAL T"
5	105872X		LINK STOP
6	74760612		SUB= 74780612
7	73680600		SUB= 73690600
8	109835X		HINGE PIN T
9	106512X		BRACKET RH YT
10	106511X		BRACKET LH YT
11	72140506		BOLT
12	73680500		SUB= 73690500
13	19131614		WASHER
14	102932X		IDLER.FLAT.GTV
15	106526X		ARM-IDLER YT
16	74110632		SCREW YT
17	74760620		SUB= 74780620
18	106513X		"WASHER, WEAR LT"
19	106902X		SPACER RETAINER
20	102403X		IDLER-FLAT T
21	121424X		ARM ASSY
22	121426X		GUIDE BELT
23	106530X		SPRING-EXT YT
24	19111216		WASHER M
25	123807X		BRKT SUSP REAR RH
26	108235X		ROD LT
27	123808X		BRKT SUSP REAR LH
28	121622X		SUB= 136819
29	106529X		GUIDE-BELT YT
30	677A451		IDLER-INSIDE T
32	106523X		"SUPPORT YT, BAR"
33	106522X		BRACE-IDLER YT
34	121236X		SPACER
35	74760648		BOLT - HEX 3/8 - 16 X 3
36	72140608		SUB= 72110608
37	121704X		SUB= 121705X
38	7631J		RUNNER-LH M
39	106214X		GUARD YT
40	121427X		SPRING EXT
41	121827X		BOLT SHOULDER
42	73930600		LOCKNUT
43	19131316		WASHER
44	106606X		BRAKE ARM LT
45	102951X		BRAKE-BLOCK YTV
46	19111116		WASHER
47	74760520		BOLT
48	108394X		ROD BRAKE YT
49	76020312		SUB= 3145
50	110384X		ROCKSHAFT T
51	108393X		SUPPORT SHAFT YT
52	76020616		SUB= 76020624
53	8418J		SUB= 136321
55	102924X		ASSY RH BELT GRD
56	74760580		BOLT
57	109785X		DEFLECTOR SHIELD
58	106734X		SUB= 123713X
59	106735X		ROD-HINGE T
60	109743X		SUB= 137607

Ref #	Part Number	Qty	Description
61	19111016		WASHER
62	110452X		NUT PUSH M
63	72140606		BOLT
64	74610624		BOLT.3/8-24X1-1/2
65	106635X		SUB= 25034
66	10030600		SUB= 10040600
67	19132012		WASHER
68	17490612		SCREW
69	7644J		SPRING T
70	72140612		BOLT
71	106085X		BELT-V.79.1.MWR
74	72140616		BOLT
76	105304X		CAP-SLEEVE LT
77	74760616		BOLT
79	73220600		NUT.HEX.3/8-16UNC
80	73220500		NUT.HEX.5/16-18
81	10040500		LOCKWASHER
83	72110505		BOLT
84	1685H		SUB= 68478
85	72110506		SUB= 72270506
86	10040600		LOCKWASHER
87	121316X		PULLEY IDLER
88	121352X		BELT RETIANER
89	19131410		WASHER
	122219X		MOWER ASS'Y
	105185X		DECAL-INST YT
	106223X		DECAL YT
	121349X		DECAL WARNING

18 HP 44" RIDING GARDEN TRACTOR -- MODEL NUMBER RL1844B

STEERING ASSEMBLY

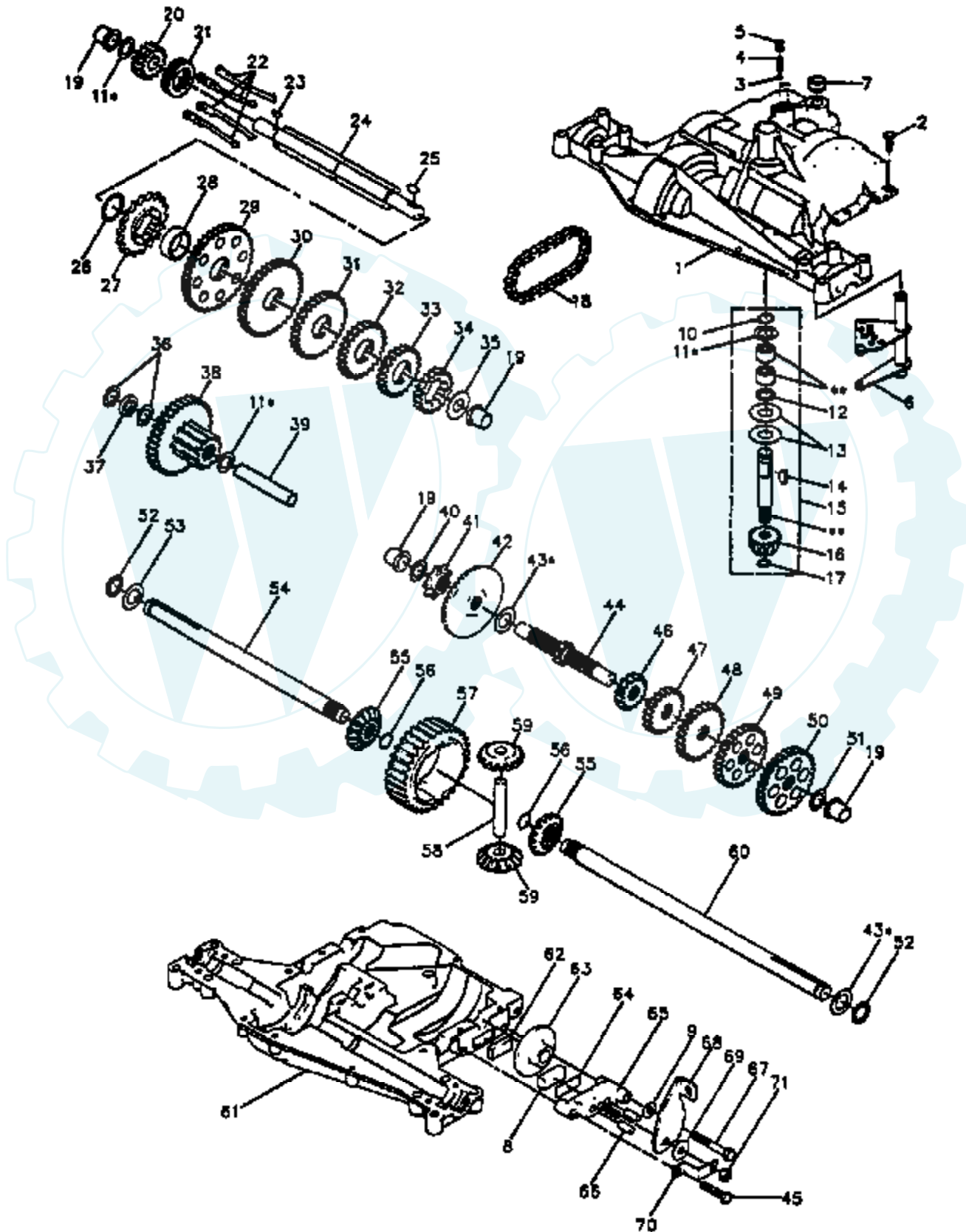


Ref #	Part Number	Qty	Description
2	100710L		INSERT-WHEEL LT
3	73940800		SUB= 73360800
4	100712K		WASHER
5	100713N		SUB= 150547
6	100711L		ADAPTER LT
7	100714L		SLEEVE LTV
8	122341X		DASH
9	71070410		"SCREW,SPECIAL"
10	124041X		SUB= 128755
11	19272016		WASHER
13	124036X		"BRKT,STEERING"
14	124037X		"GEAR,PINION"
15	122819X		SCREW SPECIAL
16	124033X		SUB= 156365
17	12000029		RING
18	6266H		WASHER .T
19	124034X		SUB= 136874
21	109816X		NYLINER T
22	74180512		SCREW
23	73510500		NUT
24	124588X014		SADDLE
25	6266H		WASHER .T
26	106965X		SUB= 140181
27	74760512		BOLT
31	121525X		SUB= 132779
32	19131316		WASHER
33	11050600		LOCKWASHER
34	8022J		PLUG-DASH T
35	108075X		FRONT AXLE
36	105663X		SUPPORT-SADDL T
37	74761060		BOLT LT
38	17490608		SCREW LT
39	105664X		SUPPORT.SADDLE.FT
40	57079		THRUST WASHER
41	110438X		BEARING
42	73901000		"NUT-LOC,FLANGE LT"
43	17490508		SCREW LT
44	105656X		SPINDLE-LH LT
45	105654X		SUB= 130524
46	124035X		SUPPORT.SHAFT
47	121321X		SUB= 121334X
48	10040500		LOCKWASHER
49	73810500		NUT.LOCK.5/16-24
50	3366R		COL. SRTG. BEAR.
51	124032X		SUB= 532130468
52	10040600		LOCKWASHER
53	73610600		SUB= 7810H
54	1554J		SUB= 155108
55	17431008		SUB= 98000165
56	104757X		HUB CAP
57	2751R		CLIP T
58	126684X		SUB= 532126684
59	59192		VALVE CAP
60	65139		VALVE STEM LT
61	278H		FITTING LT
62	9040H		"FLANGE, BEARING"
63	106732X311		SUB= 106732X427
64	106222X		SUB= 122073X

Ref #	Part Number	Qty	Description
65	59904		TUBE.5.3/4.5/6
66	74760616		BOLT
67	10040400		LOCKWASHER
68	73510600		NUT
69	121748X		WASHER
70	17490612		SCREW
72	19111216		WASHER M
73	121232X		CAP
74	121749X		WASHER
	127075		"DECAL,STR WHL"
	124188X		NLA
	124189X		NLA



18 HP 44" RIDING GARDEN TRACTOR -- MODEL NUMBER RL1844B TRANSAXLE FOOTE/DANA - MODEL NUMBER 4360-1



Ref #	Part Number	Qty	Description
1	124643X		HOUSING UPPER
2	2274J		SUB= 74760412
3	68003		"DETENT, BALL(68003)"
4	105904X		"SPRING, DETENT LT"
5	105905X		"SCREW, SET LT"
6	124637X		SUB= 134788
7	108727X		SUB= 108776X
8	120951X		PUCK T
9	120993X		WASHER T
10	2267J		RETAINING RING LT
11	3413J		WASHER
	2233J		WASHER 020
	2232J		WASHER 025
	2231J		WASHER 031
	2230J		WASHER 035
	2229J		WASHER 040
	2228J		WASHER 045
	2227J		WASHER 050
	2226J		WASHER 060
	105906X		"WASHER, PLAIN LT"
12	6725J		O-RING T
13	120415X		WASHER T
14	2257J		WOODRUFF KEY
15	106846X		SUB= 167148
16	106095X		SUB= 95-8060-6F
17	105909X		"RING,RETAINING LT"
18	105910X		"CHAIN,24 PTCH LT"
19	105911X		BEARING.FLNG.5510
20	105912X		"GEAR, SPUR LT"
21	105913X		SUB= 138246
22	120468X		KEY T
23	2242J		KEY
24	124638X		SHAFT INTERMEDIAT
25	2244J		WOODRUFF KEY
26	105916X		"RING,RETAINING LT"
27	120470X		SPROCKET 18T T
28	110070X		SPACER YT
29	109253X		GEAR SPUR 40T
30	109254X		SUB= 144893
31	124644X		GEAR SPUR 30T
32	108980X		GEAR 25T LT
33	120406X		GEAR SPUR 22 TT
34	108455X		SUB= 134796
35	105925X		"WASHER, PLAIN LT"
36	2232J		WASHER 025
37	108978X		SPACER
38	108981X		GEAR COMB LT
39	124369X		SUB= 124639X
40	3422J		WASHER
41	105928X		SPROCKET 9T LT
42	106605X		SUB= 167148
43	108983X		WASHER LT
	105930X		"WASHER, PLAIN LT"
	105931X		"WASHER, PLAIN LT"
	105932X		"WASHER, PLAIN LT"
	3417J		WASHER
	106097X		"WASHER, PLAIN LT"
	2264J		WASHER 031

Ref #	Part Number	Qty	Description
	106098X		"WASHER, PLAIN LT"
	2265J		WASHER 040
	106586X		WASHER PLAIN
	106587X		"WASHER, PLAIN LT"
44	124640X		SHAFT DRIVE
45	106596X		"SCREW, TAPPING LT"
46	106151X		SUB= 144893
47	124641X		GEAR SPUR 20T
48	106589X		"GEAR, SPUR 25T LT"
49	120408X		GEAR 28T T
50	105937X		"GEAR, SPUR 31T LT"
51	2226J		WASHER 060
52	2272J		SUB= 134401
53	2263J		WASHER 062
54	120474X		SUB= 154658
55	120409X		GEAR LT
56	105941X		"RING,RETAINING LT"
57	110071X		SUB= 120478X
58	120952X		SHAFT T
59	106592X		"GEAR,MITER 15T YT"
60	120475X		SUB= 154659
61	124642X		"HOUSING, LOWER"
62	120961X		PUCK T
63	7294J		BRAKE DISC. T
64	108989X		SPACER LT
65	120953X		SUB= 918120953X
66	120954X		PIN T
67	120955X		SCREW T
68	108992X		LEVER ACTUATOR
69	108996X		WASHER LT
70	120956X		NLA
71	73810500		NUT.LOCK.5/16-24
72	120416X		SUB= 126976X