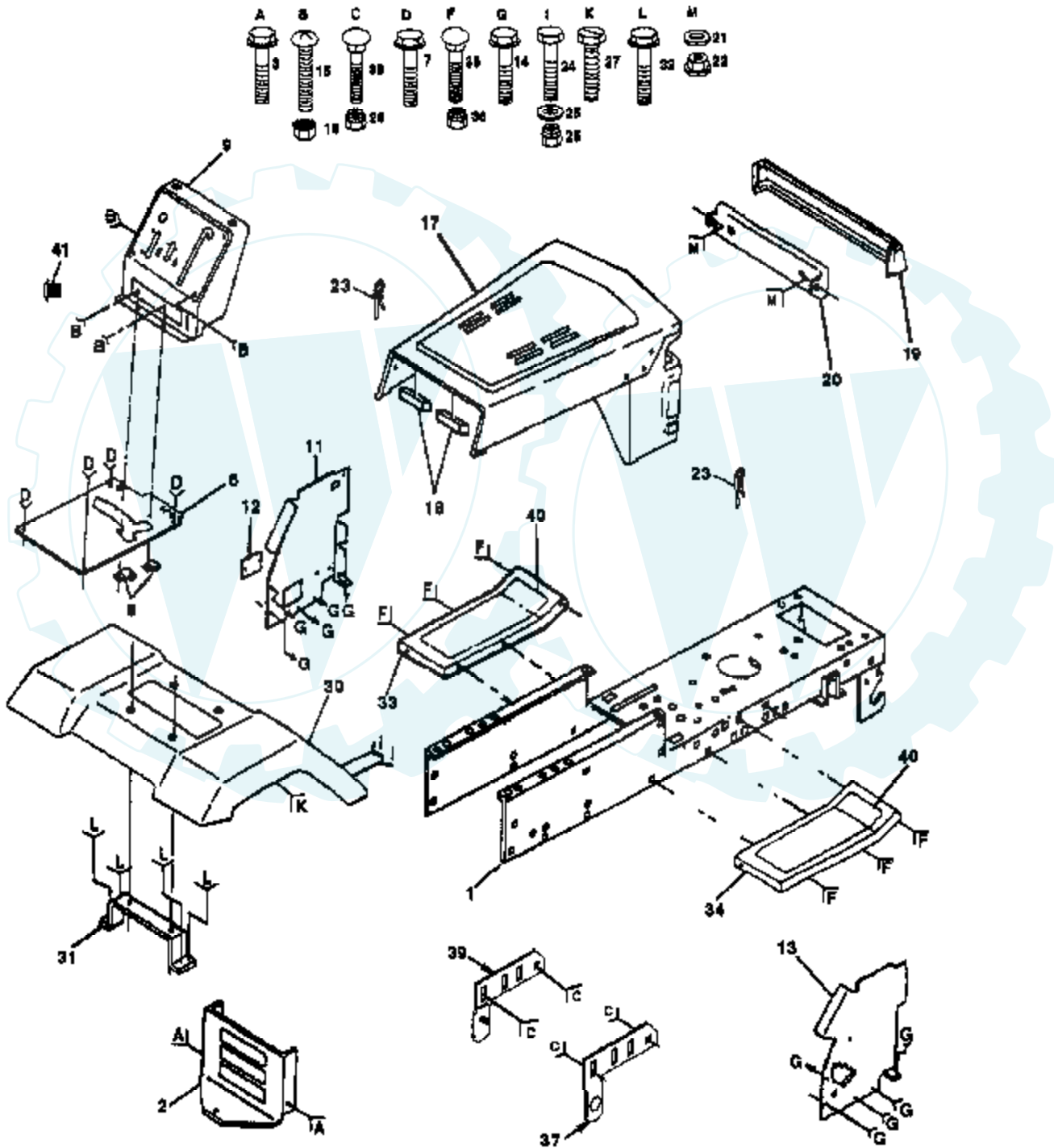


14 HP 42" TRACTOR - - MODEL NUMBER RL1442A

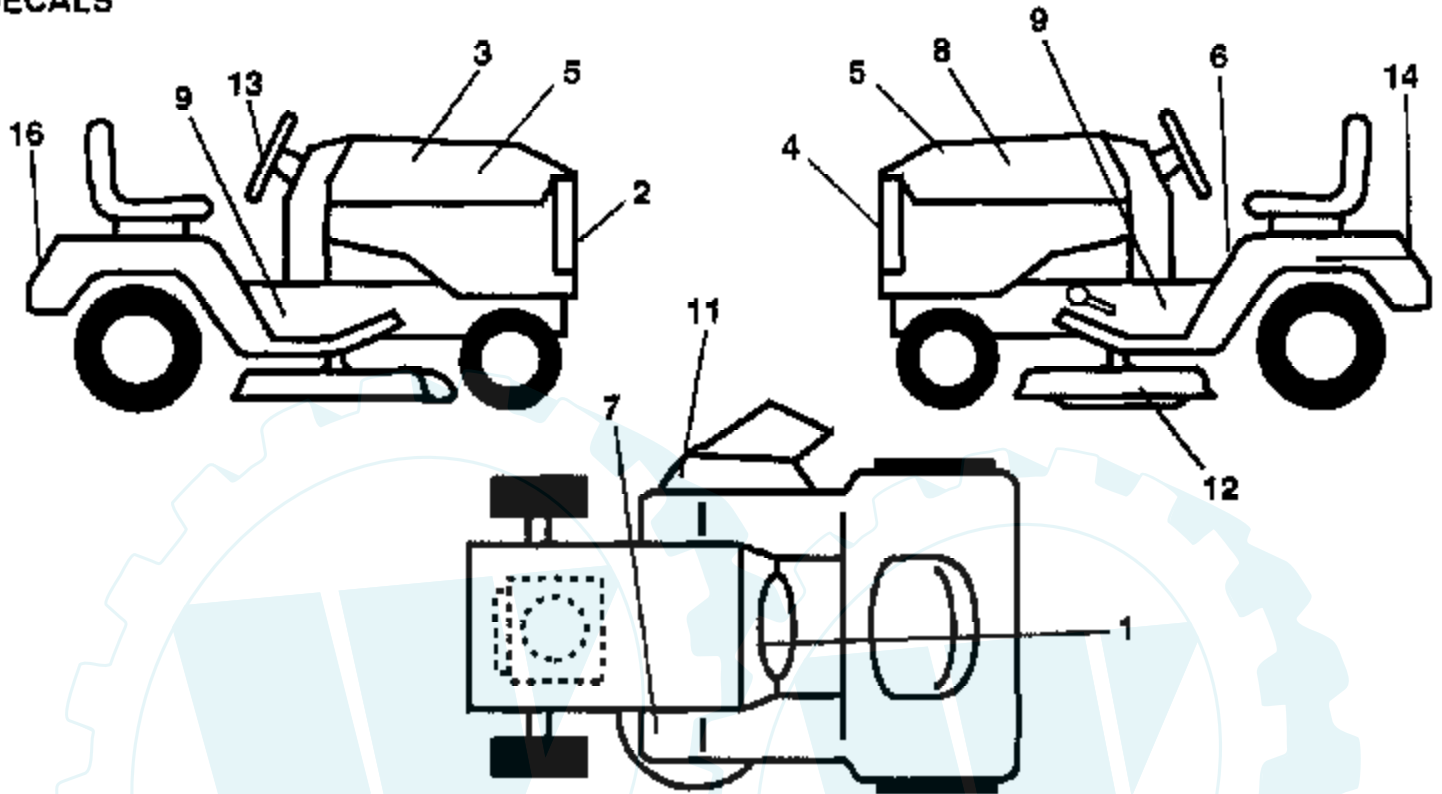
CHASSIS AND ENCLOSURES



Ref #	Part Number	Qty	Description
1	135034		SUB= 145501
2	130805		SUB= 145009
3	17490612		SCREW
6	130800X016		SADDLE
7	17490608		SCREW LT
8	2751R		CLIP T
9	123042X013		DASH
11	122795X		PANEL DASH LH
12	121794X		COVER ACCESS
13	126276X		SUB= 155936
14	17490608		SCREW LT
15	74180512		SCREW
16	73510500		NUT
17	133956X419		HOOD/GRILL ASM
18	126938X		SUB= 532126938
19	133805		SUB= 133954
20	132257		SUB= 918132257
21	19091216		WASHER PM
22	108067X		PAL NUT LT
23	4921H		SPRING.RETAINER
24	74760612		SUB= 74780612
25	19131312		WASHER
26	73680600		SUB= 73690600
27	17490608		SCREW LT
30	109872X419		FENDER
31	109873X		SUB= 136619
32	17490612		SCREW
33	105465X419		SUB= 145244X419
34	105464X419		FOOTREST RH
35	72110606		BOLT
36	73680600		SUB= 73690600
37	134775		PIVOT BRKT RH
38	72140606		BOLT
39	134774		PIVOT BRKT LH
40	131864		"PAD,FOOTREST"
41	5479J		PLUG BUTTON T

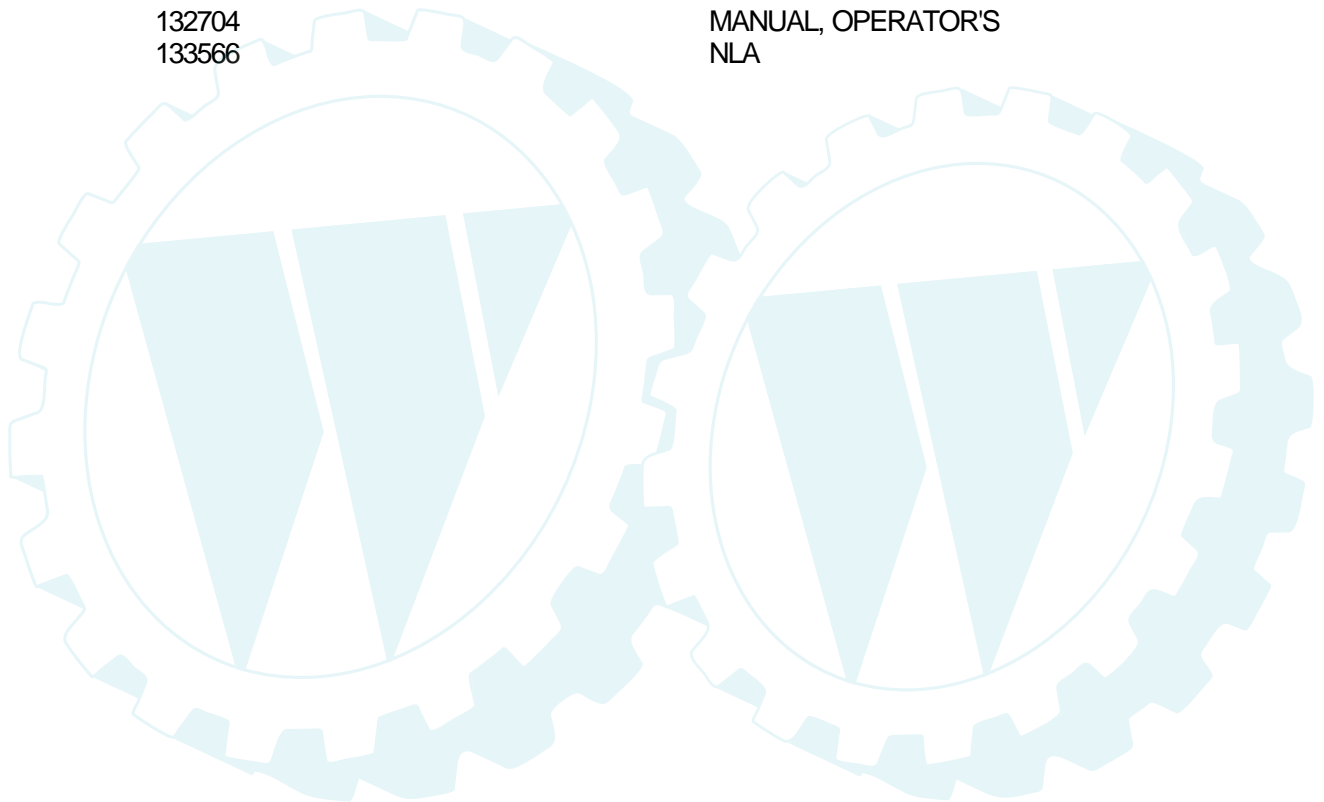
14 HP 42" TRACTOR - - MODEL NUMBER RL1442A

DECALS



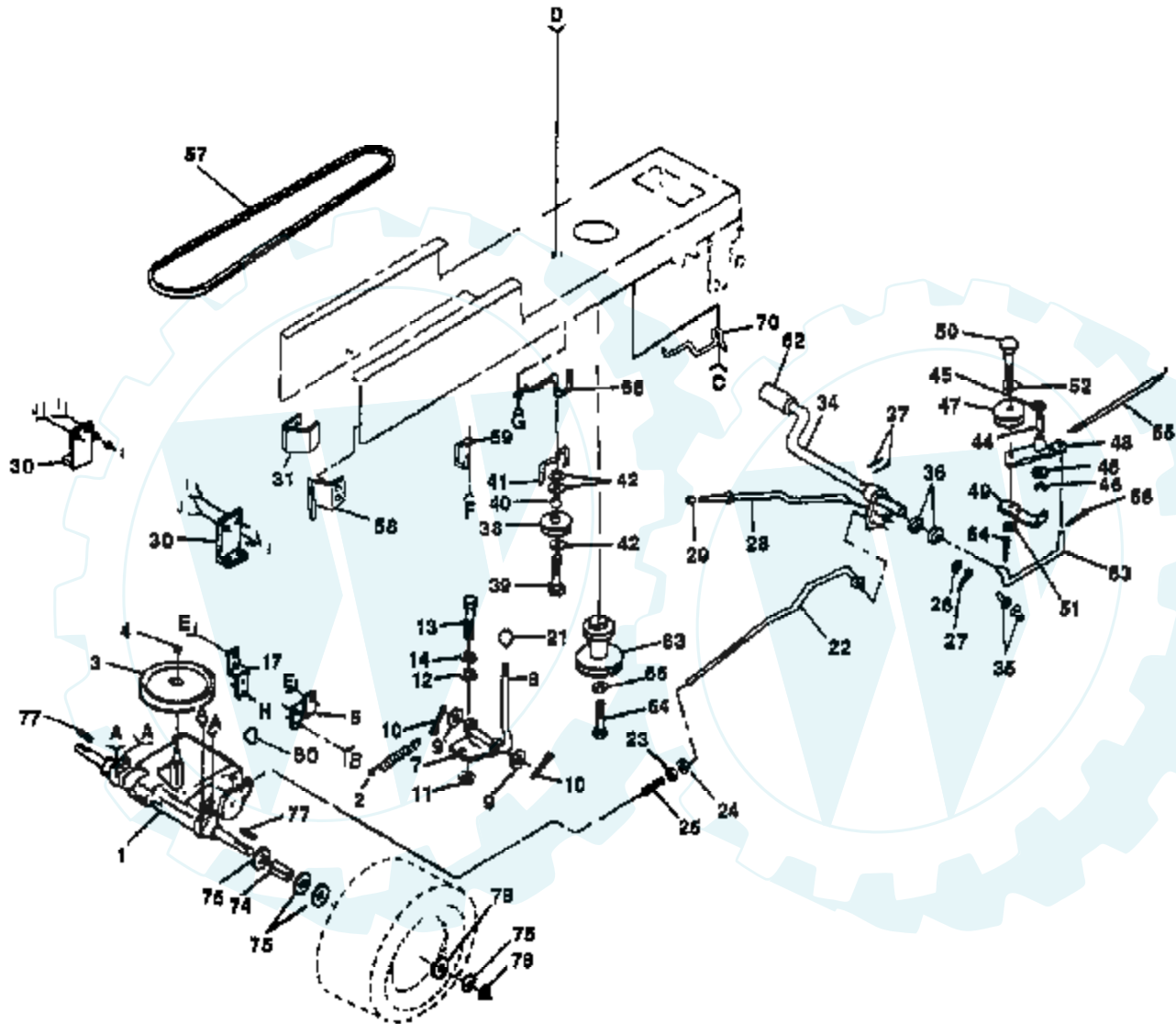
NOTE: All component dimensions given in U S inches - 1
inch = 25.4 mm

Ref #	Part Number	Qty	Description
1	109821X		SUB= 138956
2	132627		GRILL DECAL
3	136434		NLA
4	129823		NLA
5	127044		DECAL, HOOD
6	133795		DECAL CAUTION
7	101892X		DECAL T
8	136433		NLA
9	131425		CHASSIS DECAL
11	121349X		DECAL WARNING
12	109820X		DECAL YT
13	127075		"DECAL,STR WHL"
14	121549X		DECAL
16	132628		FENDER DECAL
	132704		MANUAL, OPERATOR'S
	133566		NLA



14 HP 42" TRACTOR -- MODEL NUMBER RL1442A

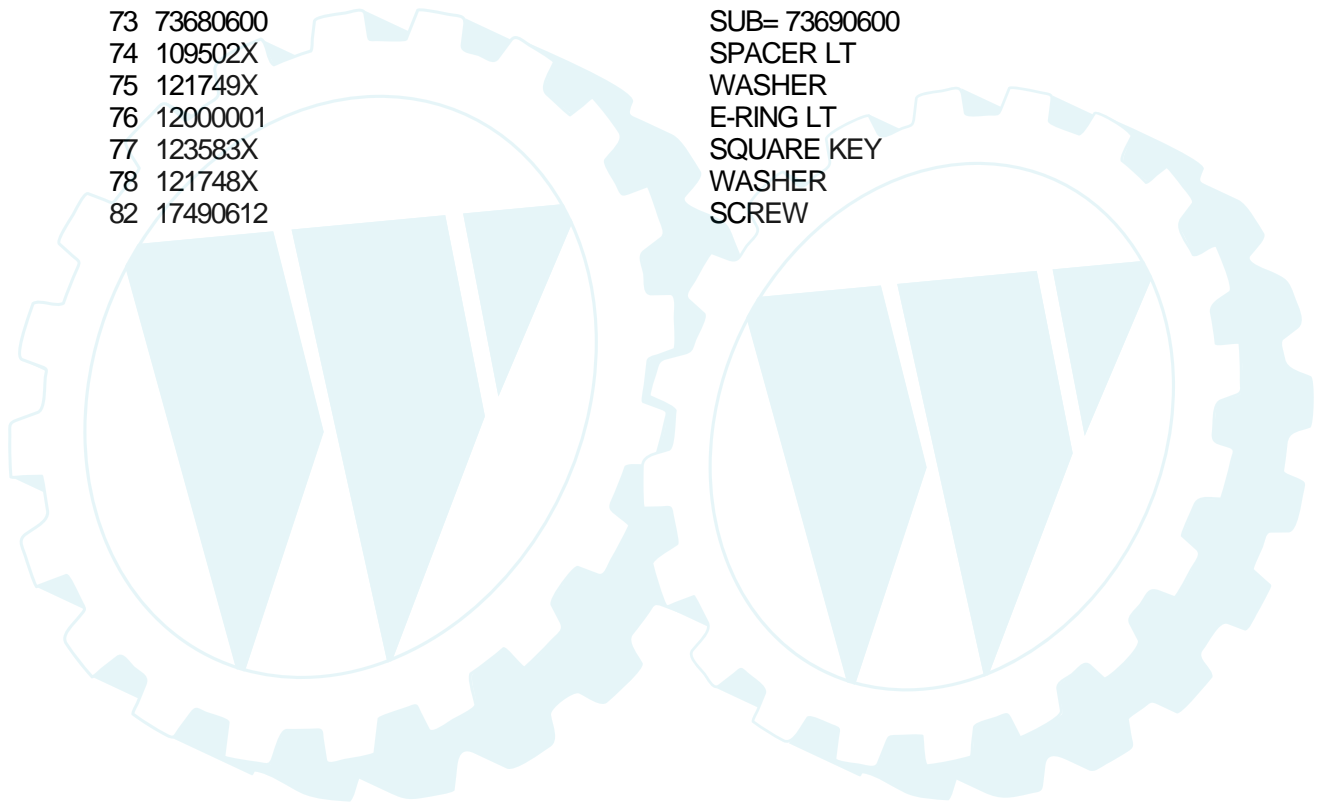
DRIVE



- | | | | | | | | | | |
|----------|----------|----------|----------|----------|----------|----------|----------|----------|----------|
| A | B | C | D | E | F | G | H | I | J |
| | | | | | | | | | |
| | | | | | | | | | |
| | | | | | | | | | |

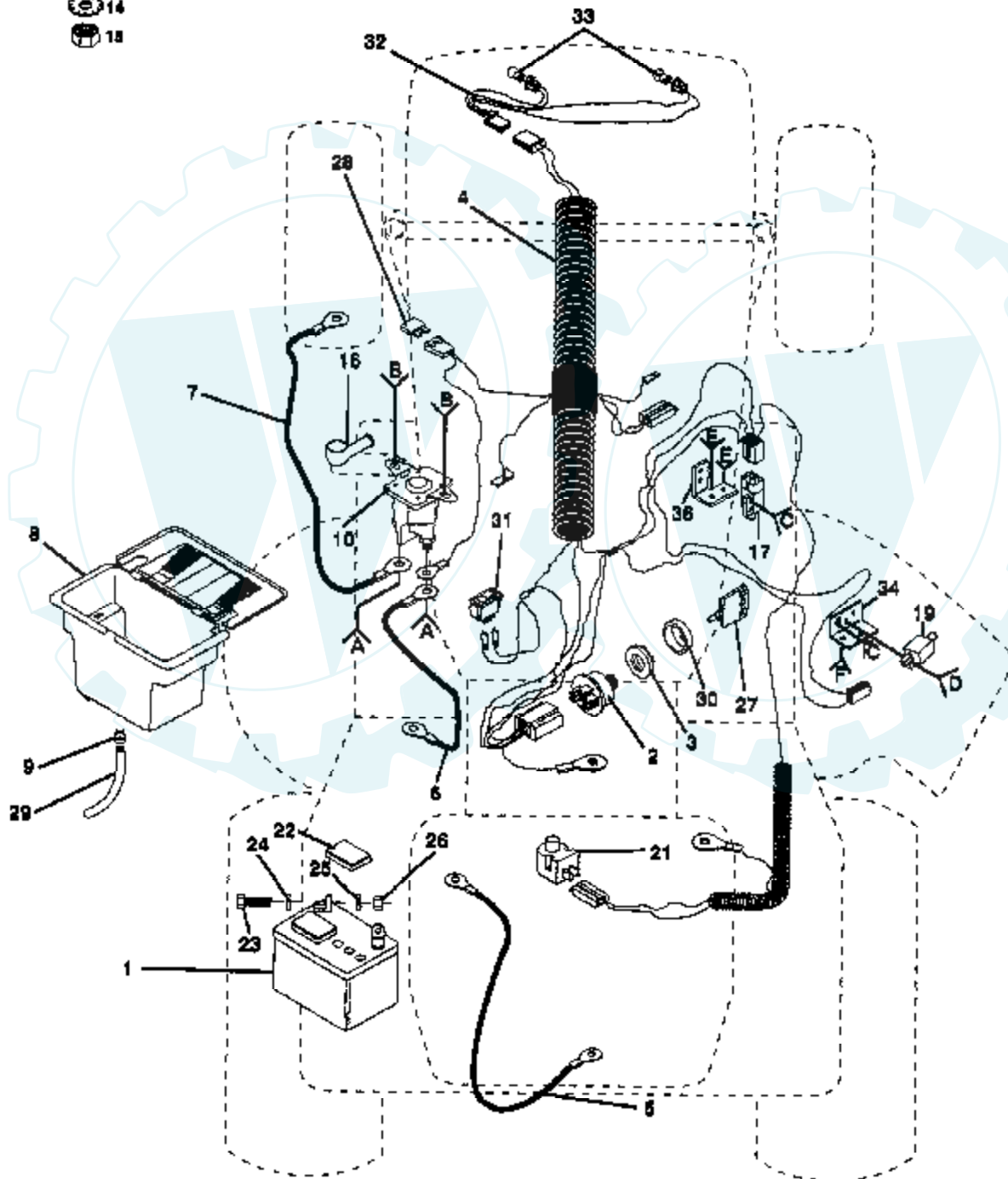
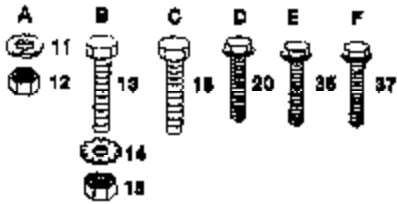
Ref #	Part Number	Qty	Description
1	120898X		SUB= 137367
2	110422X		SUB= 146682
3	123666X		PULLEY TRANS
4	12000028		SUB= 2267J
5	121520X		STRAP TORQUE
6	17490512		SCREW
7	130802		SUB= 162240
8	131679		SHIFT ROD
9	19151216		WASHER
10	76020416		PIN COTTER 1/8
11	105701X		WASH-SHFT PLT LT
12	19091210		WASHER LT
13	71040412		SUB= 74550412
14	10040400		LOCKWASHER
15	74760540		BOLT
16	73680500		SUB= 73690500
17	121520X		STRAP TORQUE
18	74760612		SUB= 74780612
19	73680600		SUB= 73690600
20	17490512		SCREW
21	106279X		CONTROL KNOB LT
22	130804		BRAKE ROD
23	73800600		NUT
24	73350600		NUT
25	106888X		SPRING ROD LT
26	19131316		WASHER
27	76020412		COTTER PIN
28	128904		PARKING BRAKE ROD
29	7733J		SUB= 71673
30	130807		TRANSAXLE MTG BKT
31	127275X		"KEEPER,BELT LH T"
32	74760512		BOLT
33	73680500		SUB= 73690500
34	122424X		SUB= 149001
35	120183X		NYLON BEARING
36	19211616		WASHER LT
37	1572H		SUB= 2882J
38	123674X		PULLEY.IDLER.FLAT
39	74760644		BOLT
40	4470J		SPACER T
41	109070X		BELT KEEPER LT
42	19131312		WASHER
43	73680600		SUB= 73690600
44	105706X		"LY, BEARING"
45	110812X		WASHER LT
46	12000039		KLIP RING
47	127783		SUB= 139245
48	123789X		ARM IDLER
49	123205X		RETAIN BELT
50	74760624		SUB= 74930624
51	73680600		SUB= 73690600
52	19131316		WASHER
53	105710X		"LINK, CLUTCH T"
54	76020412		COTTER PIN
55	105709X		"SPRING, RETURN LT"
56	76020412		COTTER PIN
57	130801		SUB= 138255
58	127274X		"KEEPER,BELT RH T"

Ref #	Part Number	Qty	Description
59	104777X		SUB= 140312
60	19131312		WASHER
61	17490612		SCREW
62	8883R		PEDAL COVER T
63	134825		SUB= 136004
64	71170764		BOLT
65	10040700		LOCKWASHER
66	129921		KEEPER.BELT.ENG.L
67	74760616		BOLT
68	19131312		WASHER
69	73680600		SUB= 73690600
70	134683		KEEPER BELT ENG
71	74760616		BOLT
72	19132012		WASHER
73	73680600		SUB= 73690600
74	109502X		SPACER LT
75	121749X		WASHER
76	12000001		E-RING LT
77	123583X		SQUARE KEY
78	121748X		WASHER
82	17490612		SCREW



14 HP 42" TRACTOR -- MODEL NUMBER RL1442A

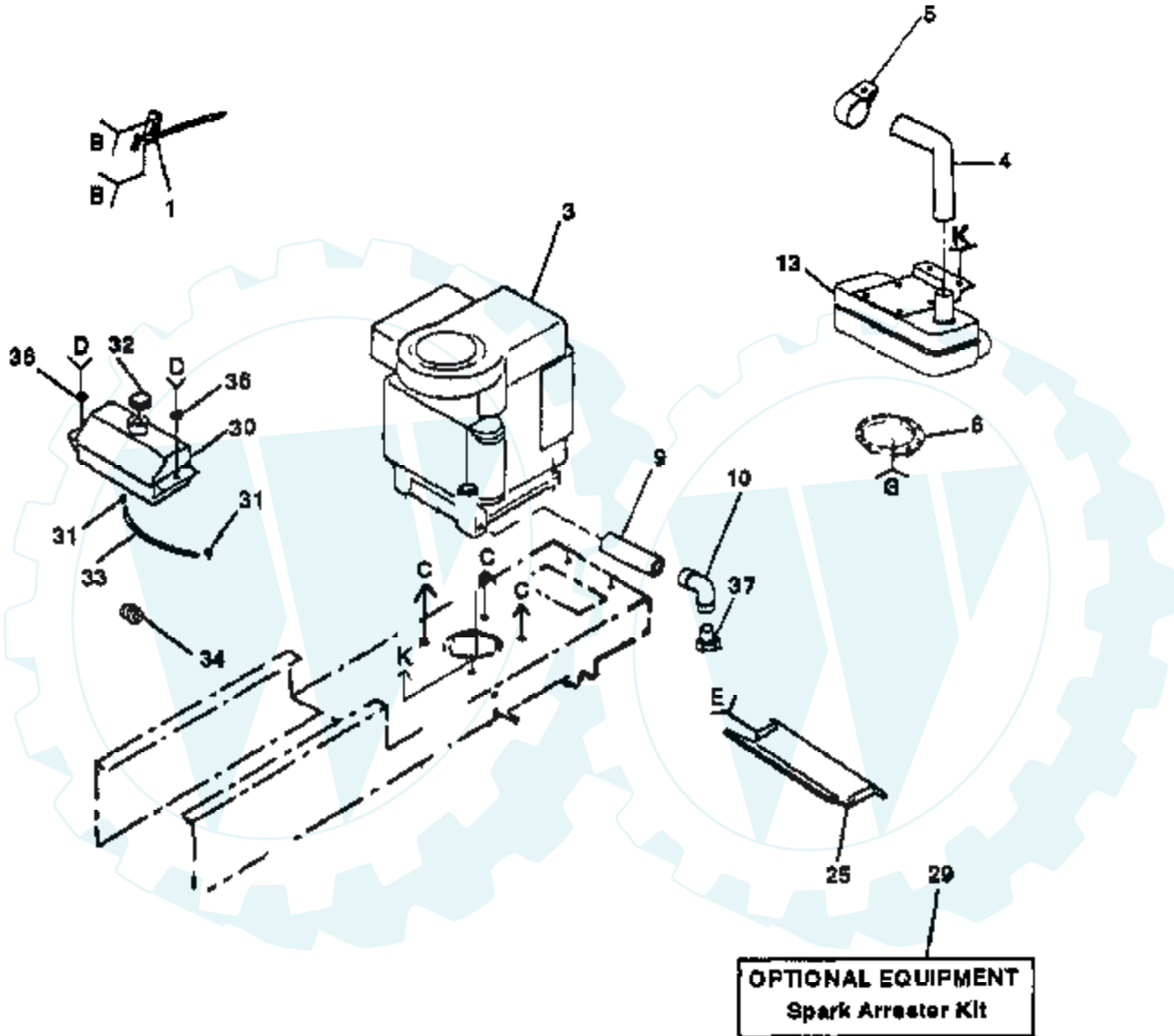
ELECTRICAL










Ref #	Part Number	Qty	Description
1	121265X		SUB= 123899X
2	4406R		SUB= STD365402
3	124211X		NUT IGNITION
4	133567		"HARNESS,IGNITION"
5	4207J		CABLE T
6	132202		SUB= 146147
7	4799J		"CABLE T, BATTERY"
8	129965		SUB= 156417
9	109596X		HOSE CLAMP T
10	109081X		SUB= 146154
11	10090400		SUB= 10040400
12	73350400		NUT
13	74780408		BOLT
14	11050400		LOCKWASHER
15	73510400		NUT
16	131563		SUB= 154336
17	109553X		SWITCH INTERLOCKT
18	17021008		SCREW
19	104445X		SWITCH-INTER. GT
20	17021008		SCREW
21	121305X		SWITCH SEAT
22	121264X		"CAP,BATTERY "
23	74760412		BOLT LT
24	19091016		WASHER
25	10040400		LOCKWASHER
26	73220400		SUB= 50675
27	122147X		KEY
28	108824X		FUSE HYT
29	109238X		TUBE T
30	123620X		SUB= 141226
31	110712X		SWITCH LT
32	136849		SUB= 136850
33	7662J		SUB= 4152J
34	108236X		BRACKET LT
35	17021008		SCREW
36	130890		SWITCH BRACKET
37	17021008		SCREW

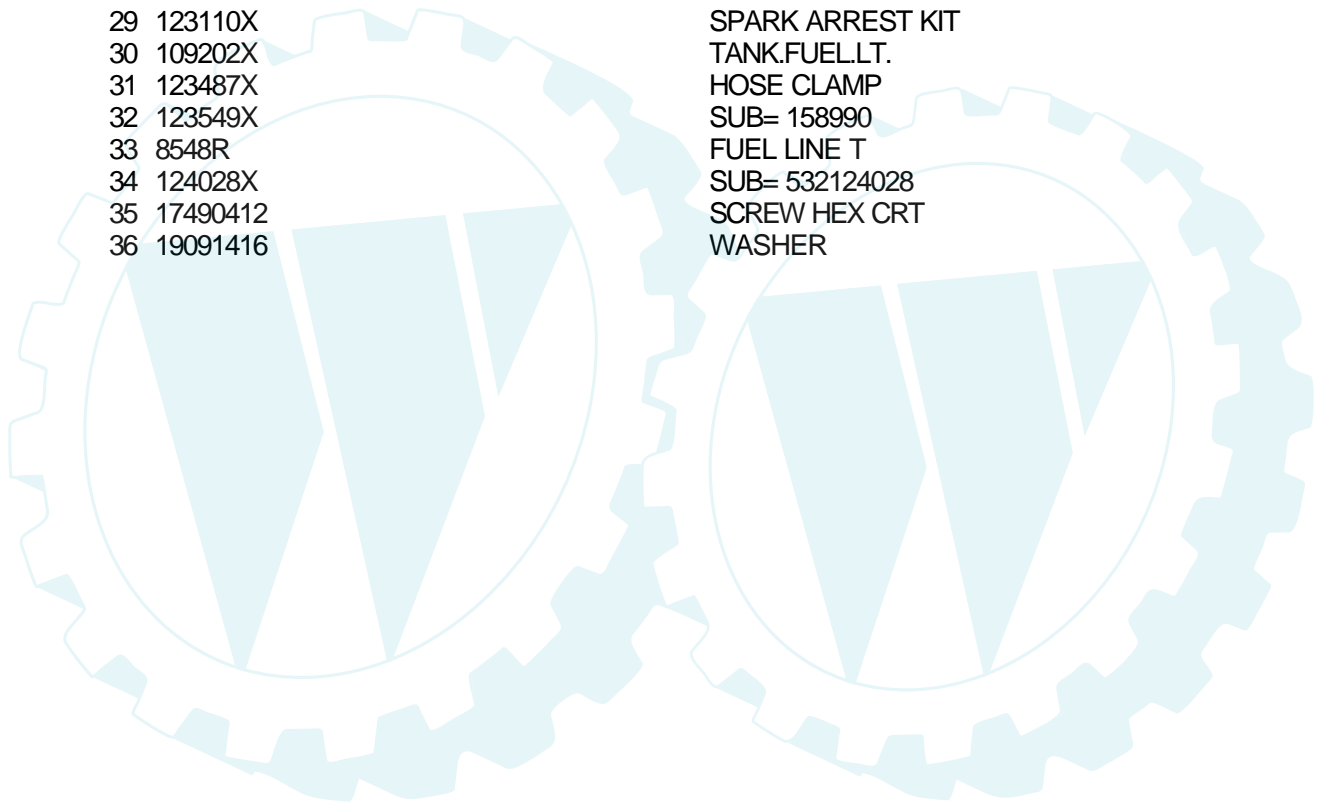
14 HP 42" TRACTOR - - MODEL NUMBER RL1442A

ENGINE

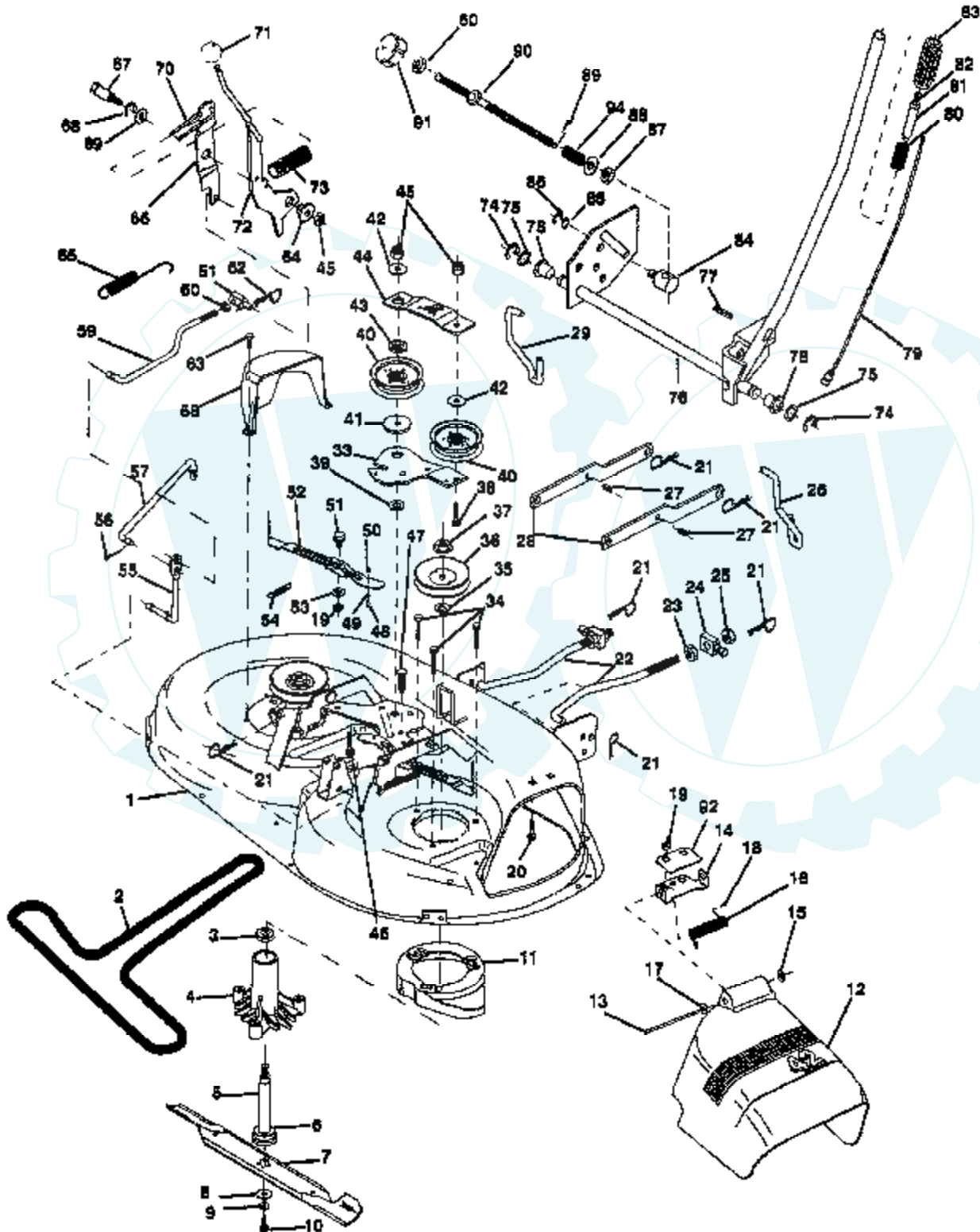


- | | | | | | |
|---|--|--|--|---|--|
| B | C | D | E | G | K |
|  2 |  12 |  35 |  26 |  7 |  12 |
| | | | | |  11 |

Ref #	Part Number	Qty	Description
1	132772		SUB= 132771
2	17720410		SCREW LT
3	131956		ENGINE
4	123920X		"TUBE,EXHAUST"
5	125589X		"CLAMP,MUFFLER"
6	101326L		DEFLECTOR.222573
7	17030808		SUB= 17030814
9	13280324		PIPE NIPPLE
10	13200300		ELBOW
11	11050600		LOCKWASHER
12	17490620		SCREW
13	123941X		MUFFLER
25	128953		HEAT SHIELD
26	17021008		SCREW
29	123110X		SPARK ARREST KIT
30	109202X		TANK.FUEL.LT.
31	123487X		HOSE CLAMP
32	123549X		SUB= 158990
33	8548R		FUEL LINE T
34	124028X		SUB= 532124028
35	17490412		SCREW HEX CRT
36	19091416		WASHER



14 HP 42" TRACTOR - - MODEL NUMBER RL1442A
42" MOWER DECK

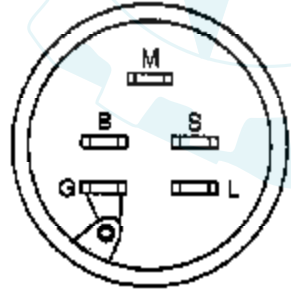
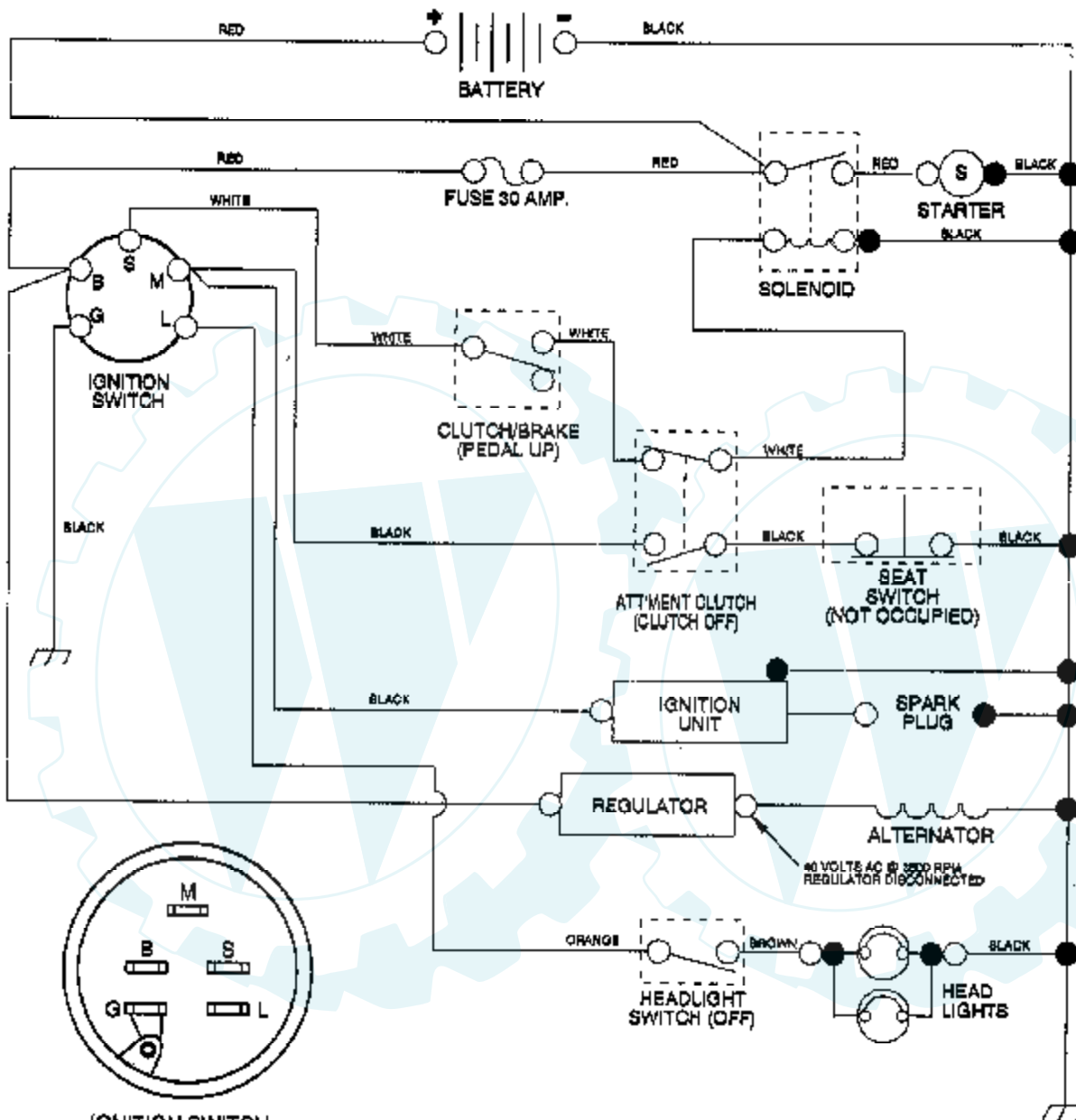


Ref #	Part Number	Qty	Description
1	130970		SUB= 145338
2	130969		BELT-V.92.4.MWR
3	110485X		BEARING
4	128774		HSG ASM MANDREL
5	133172		SUB= 137646
6	129895		BEARING.BALL
7	127843		SUB= 138498
8	129962		WASHER BLADE
9	10030600		SUB= 10040600
10	850857		BLADE BOLT
11	128961		SUB= 140329
12	130968		DEFLECTOR.SHIELD
13	131491		HINGE ROD
14	131267		DEFLECTOR BRKT
15	110452X		NUT PUSH M
16	123713X		SPRING TORSION
17	19111016		WASHER
18	105304X		CAP-SLEEVE LT
19	73680500		SUB= 73690500
20	72140506		BOLT
21	4939M		SUB= 85902
22	127218		LINK.FRONT
23	73350800		NUT
24	130171		TRUNION
25	73800800		NUT.LK.W/WSH.1/2.
26	135388		LIFT LINK RH
27	135563		"PIN,SPRING"
28	130833		SUSP ARM ASM REAR
29	134619		LINK LIFT LH
33	133844		IDLER ARM
34	78158		SUB= 17580520
35	129963		WASHER
36	129861		SUB= 153535
37	73050900		SUB= 139729
38	72110614		BOLT
39	133943		HARDENED WASHER
40	131494		FLAT IDLER PULLEY
41	122052X		SPACER RETAINER
42	19131612		WASHER GT
43	133502		RETAINER SPACER
44	133503		IDLER ARM STIFF
45	73680600		SUB= 73690600
46	72110618		BOLT CARRIAGE
47	133835		XMAS TREE FASTNER
48	131340		SHOULDER BOLT
49	133940		SUB= 151785
50	69180		LOCKNUT
51	105529X		SUB= 139888
52	131845		BRAKE PAD ARM ASM
53	133944		HARD SMALL WASHER
54	131335		SPRING EXTENSION
55	133551		PIVOT ROD
56	76020312		SUB= 3145
57	133504		CLUTCH ROD SECOND
58	134236		SUB= 140088
59	132583		SUB= 134666
60	73350600		NUT
61	133205		TRUNION

Ref #	Part Number	Qty	Description
62	4497H		RETAINER M
63	17720410		SCREW LT
64	127498		BUSHING
65	131870		RETURN SPRING
66	127847		CLUTCH ARM SECOND
67	128903		SHOULDER BOLT
68	12000029		RING
69	121748X		WASHER
70	127845		SPRING KEEPER
71	7803J		SUB= 106932X
72	133573		CLUTCH ARM PRI AS
73	128759		SUB= 918128759
74	12000002		SUB= 2225J
75	19211416		WASHER
76	122507X		SUB= 145117
77	105767X		PIN-GROOVE LT
78	120183X		NYLON BEARING
79	122514X		SUB= 136973
80	122512X		SUB= 532122512
81	122364X		SUB= 125925X
82	124385X		SUB= 125925X
83	109413X		GRIP
84	110810X		TRUNION LT
85	19151216		WASHER
86	12000037		KLIP RING
87	110807X		NUT T
88	19131016		WASHER
89	76020308		SUB= 3145
90	126971X		SUB= 532126971
91	100734K		SUB= 138057
92	134753		STIFFENER BRKT
94	2876H		SPRING T
	136322		SUB= 145411
	130794		MANDREL ASM

14 HP 42" TRACTOR - - MODEL NUMBER RL1442A

SCHEMATIC



IGNITION SWITCH

POSITION	CIRCUIT
OFF	M + G
ON	B + L
START	B + S

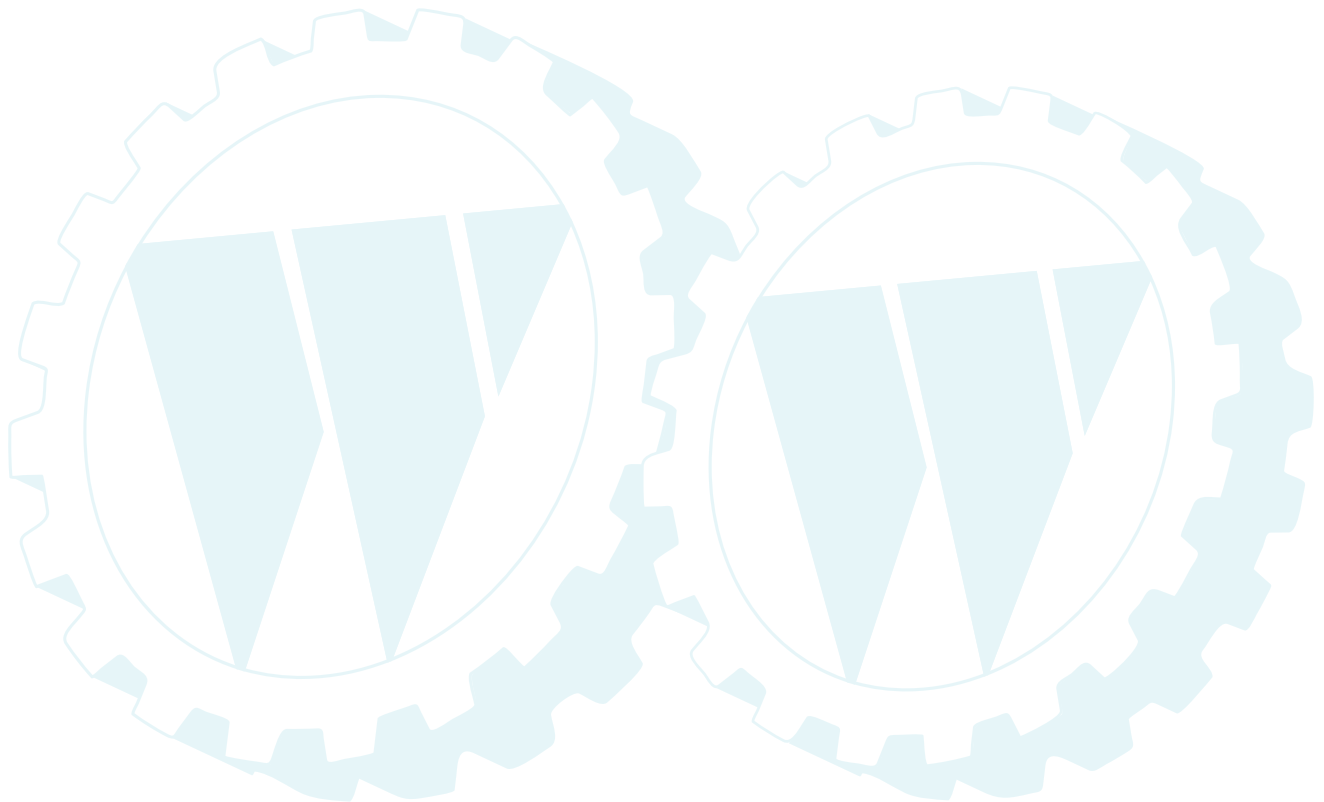
WIRING INSULATED CLIPS
NOTE: IF WIRING INSULATED CLIPS WERE REMOVED FOR SERVICING OF UNIT, THEY SHOULD BE REPLACED TO PROPERLY SECURE YOUR WIRING

○ — REMOVABLE CONNECTIONS
● — NON-REMOVABLE CONNECTIONS

Ref # Part Number

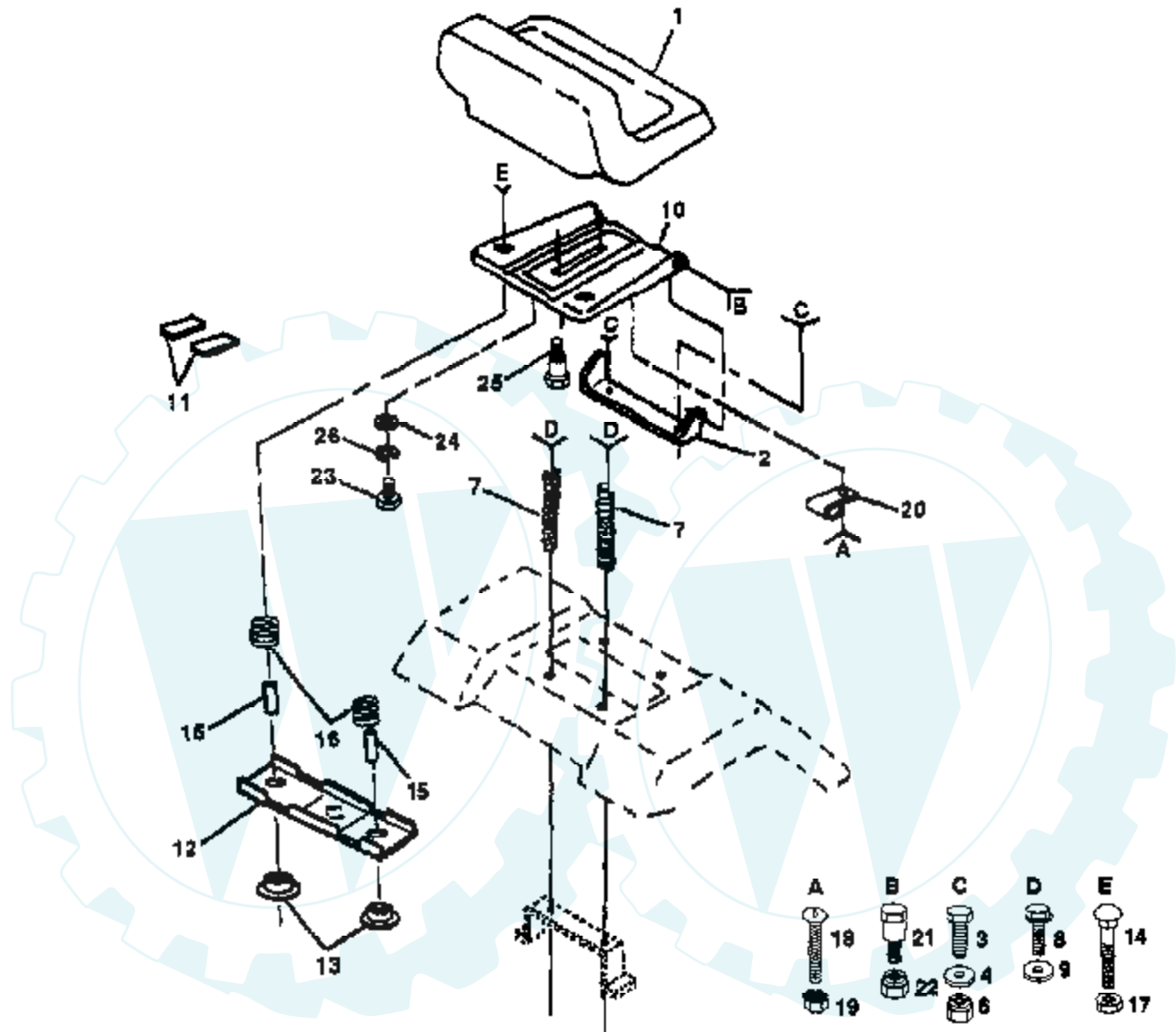
Qty Description

REFER TO IMAGE



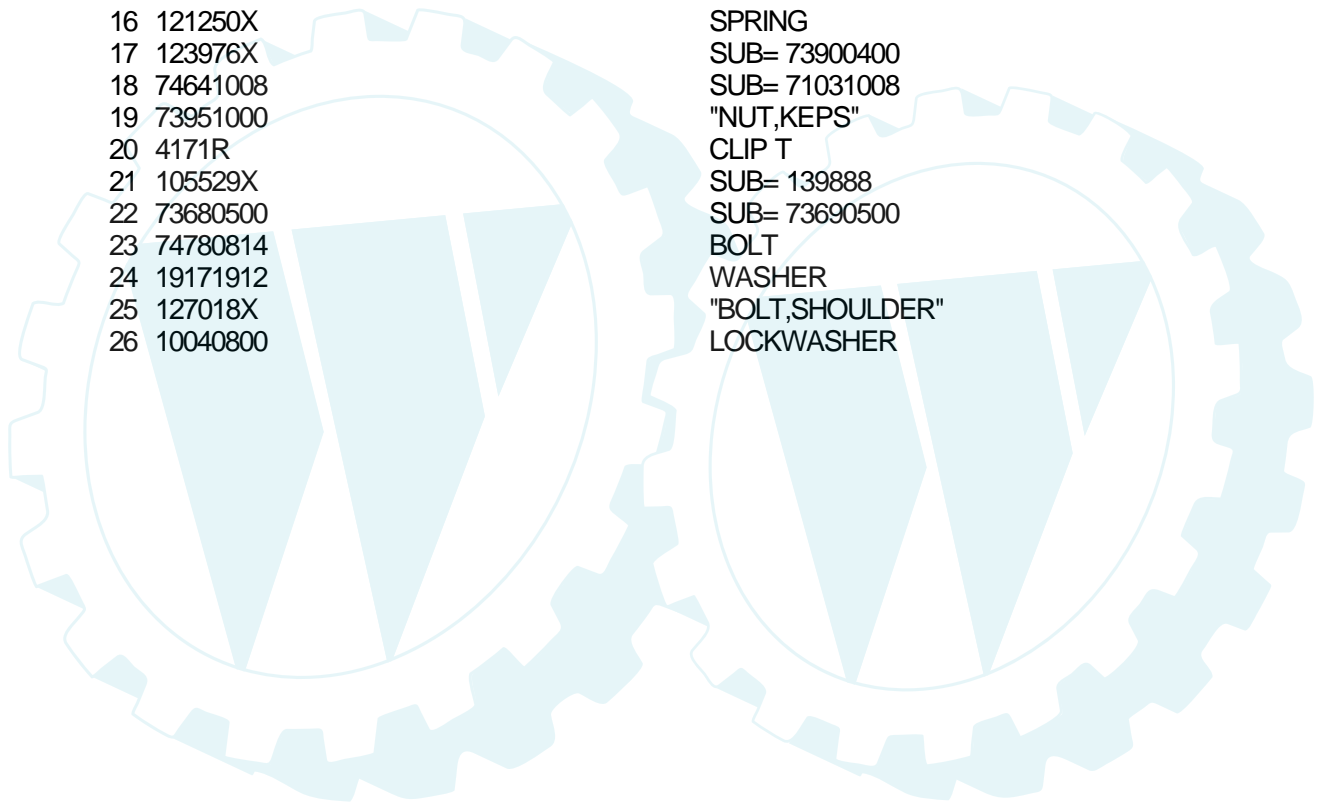
14 HP 42" TRACTOR - - MODEL NUMBER RL1442A

SEAT ASSEMBLY

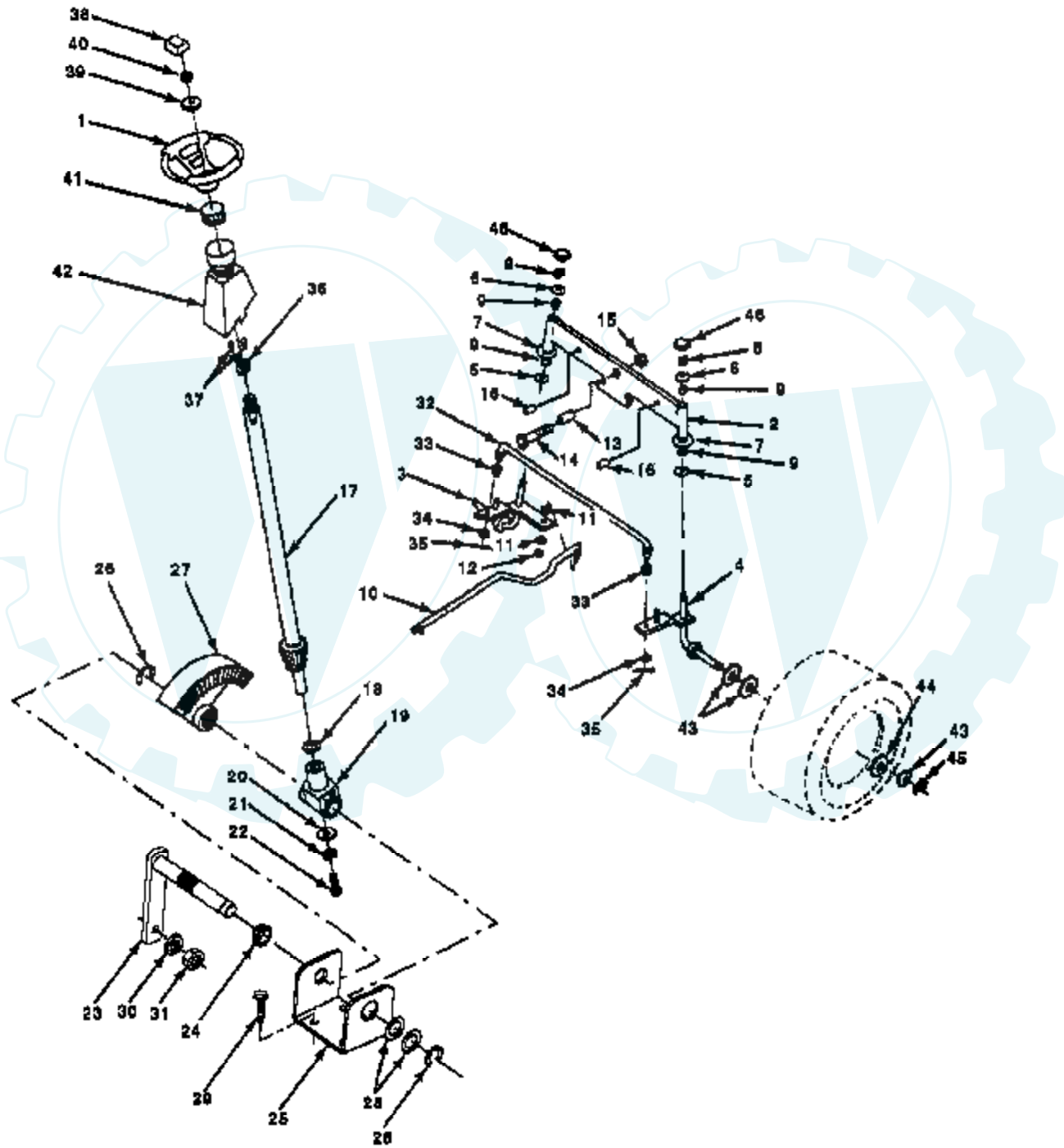


NOTE: All component dimensions given in U.S. Inches - 1 inch = 25.4 mm.

Ref #	Part Number	Qty	Description
1	132296		SEAT
2	126656X		SUB= 140551
3	74760612		SUB= 74780612
4	19131210		WASHER
6	73680600		SUB= 73690600
7	124181X		SPRING COMPRESSIO
8	17490616		SCREW GTV
9	19131614		WASHER
10	131451		SUB= 155925
11	121251X		STRIP FORM
12	121246X		BRKT SWITCH
13	121248X		BUSHING
14	72050411		SUB= 872050411
15	134300		SPLIT SPACER
16	121250X		SPRING
17	123976X		SUB= 73900400
18	74641008		SUB= 71031008
19	73951000		"NUT,KEPS"
20	4171R		CLIP T
21	105529X		SUB= 139888
22	73680500		SUB= 73690500
23	74780814		BOLT
24	19171912		WASHER
25	127018X		"BOLT,SHOULDER"
26	10040800		LOCKWASHER



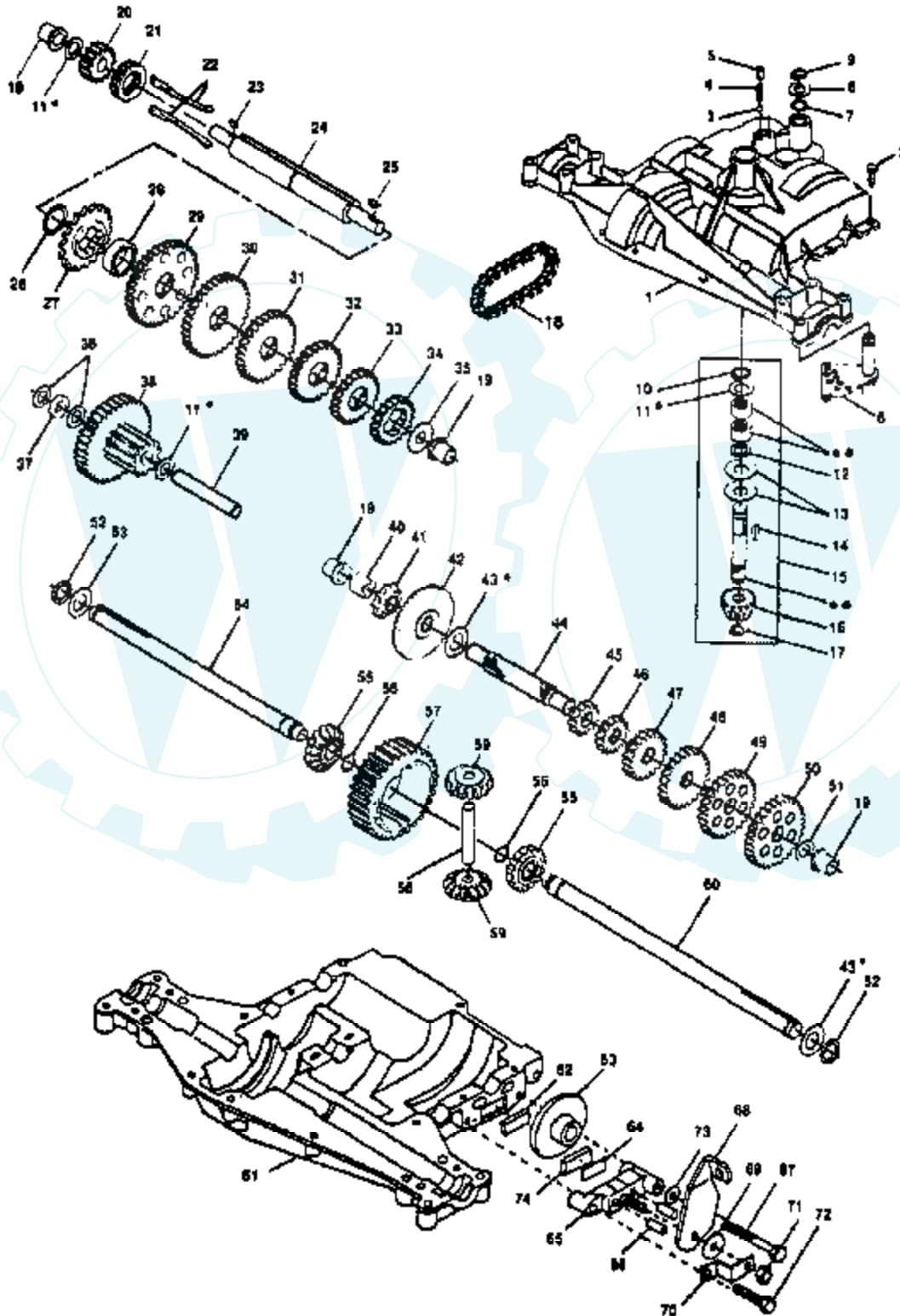
14 HP 42" TRACTOR - - MODEL NUMBER RL1442A STEERING ASSEMBLY



Ref #	Part Number	Qty	Description
1	133741		SUB= 150547
2	131450		SUB= 142033
3	135227		SPINDLE LH
4	135228		SPINDLE RH
5	6266H		WASHER .T
6	121748X		WASHER
7	19272016		WASHER
8	12000029		RING
9	3366R		COL. SRTG. BEAR.
10	130468		SUB= 532130468
11	10040600		LOCKWASHER
12	73610600		SUB= 7810H
13	110438X		BEARING
14	74011056		BOLT HEX 5/8-11
15	73601000		SUB= 73901000
16	132624		AXLE PIN
17	132614		SHAFT ASM
18	57079		THRUST WASHER
19	124035X		SUPPORT.SHAFT
20	126684X		SUB= 532126684
21	10040400		LOCKWASHER
22	71070410		"SCREW,SPECIAL"
23	127501		SUB= 918127501
24	109816X		NYLINER T
25	124036X		"BRKT,STEERING"
26	12000029		RING
27	124034X		SUB= 136874
28	6266H		WASHER .T
29	17490612		SCREW
30	10040600		LOCKWASHER
31	73610600		SUB= 7810H
32	130465		TIE ROD
33	126847X		BUSHING.DRAGLINK
34	19131416		WASHER
35	76020412		COTTER PIN
36	132196		SUB= 155106
37	17431008		SUB= 98000165
38	133742		ST WHL INSERT CAP
39	19133808		WASHER T
40	7810H		GRIPCO NUT
41	104820X		ADAPTER-WHEEL LT
42	124418X		"TUBE, STR SHAFT"
43	121749X		WASHER
44	121749X		WASHER
45	12000029		RING
46	121232X		CAP

**14 HP 42" TRACTOR - - MODEL NUMBER RL1442A
TRANSAXLE DANA - MODEL NUMBER 4360-07**

TRANSAXLE

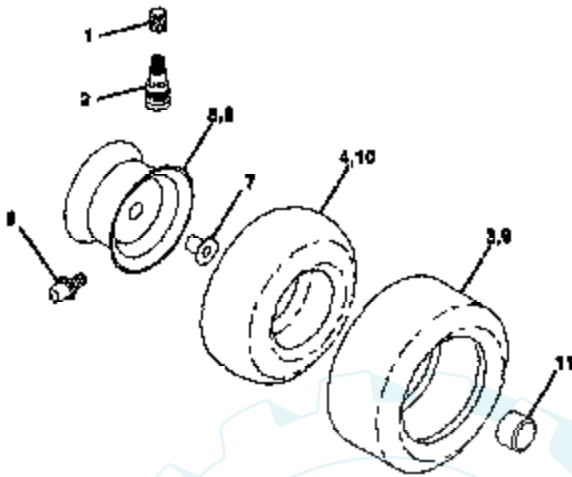


Ref #	Part Number	Qty	Description
1	3865		HOUSING UPPER
2	1919		SCREW
3	1151		BALL DETENT
4	3626		SPRING, DETENT
5	3623		SCREW, SET
6	4336		ASSY SHIFTER
7	3884		O-RING
8	3885		WASHER PLAIN
	3886		WASHER PLAIN
	3887		WASHER PLAIN
	3888		WASHER PLAIN
	3889		WASHER PLAIN
	3121		WASHER PLAIN
	3890		WASHER PLAIN
9	1100		RING RETAINING
10	1099		RING RETAINING
11	1959		WASHER PLAIN
	1441		WASHER PLAIN
	1423		WASHER, PLAIN .632 X 1.00 X .026
	1082		WASHER PLAIN
	1424		WASHER PLAIN
	1068		WASHER PLAIN
	1425		WASHER PLAIN
	1358		WASHER PLAIN
	1145		WASHER, PLAIN .632 X 1.00 X .060
	1319		WASHER PLAIN
12	3312		O-RING
13	3876		WASHER, PLAIN .632 X 1.38 X .046
14	1374		KEY WOODRUFF #9
15	4134		ASSY KIT INPUT SHAFT
16	3590		PINION, BEVEL, 14 TEETH
17	3624		RING, RETAINING
18	3625		CHAIN, 24 PITCHES
19	1542		BEARING, FLANGE
20	3773		GEAR SPUR, 14 TEETH
21	3631		COLLAR CLUTCH
22	3828		KEY CLUTCH
23	1369		KEY WOODRUFF #3
24	3883		SHAFT INTERMEDIATE
25	1375		KEY, WOODRUFF, #61
26	3627		RING, RETAINING
27	3830		SPROCKET, 18 TEETH
28	3841		SPACER
29	3786		GEAR, SPUR, 37 TEETH
30	3785		GEAR, SPUR, 35 TEETH
31	3867		GEAR, SPUR, 30 TEETH
32	3783		GEAR, SPUR, 25 TEETH
33	3869		GEAR, SPUR, 22 TEETH
34	3741		GEAR SPUR
35	3628		WASHER, PLAIN .640 X 1.37 X .061
36	1423		WASHER, PLAIN .632 X 1.00 X .026
37	3422		SPACER .630 X 1.00 X .169
38	4286		ASSY GEAR COMB 12&35 TEETH
39	3877		SHAFT IDLER
40	3901		SPACER .635 X .875 X .755
41	3645		SPROCKET, 9 TEETH
42	3853		GEAR BEVEL 42 TEETH
43	3749		WASHER PLAIN

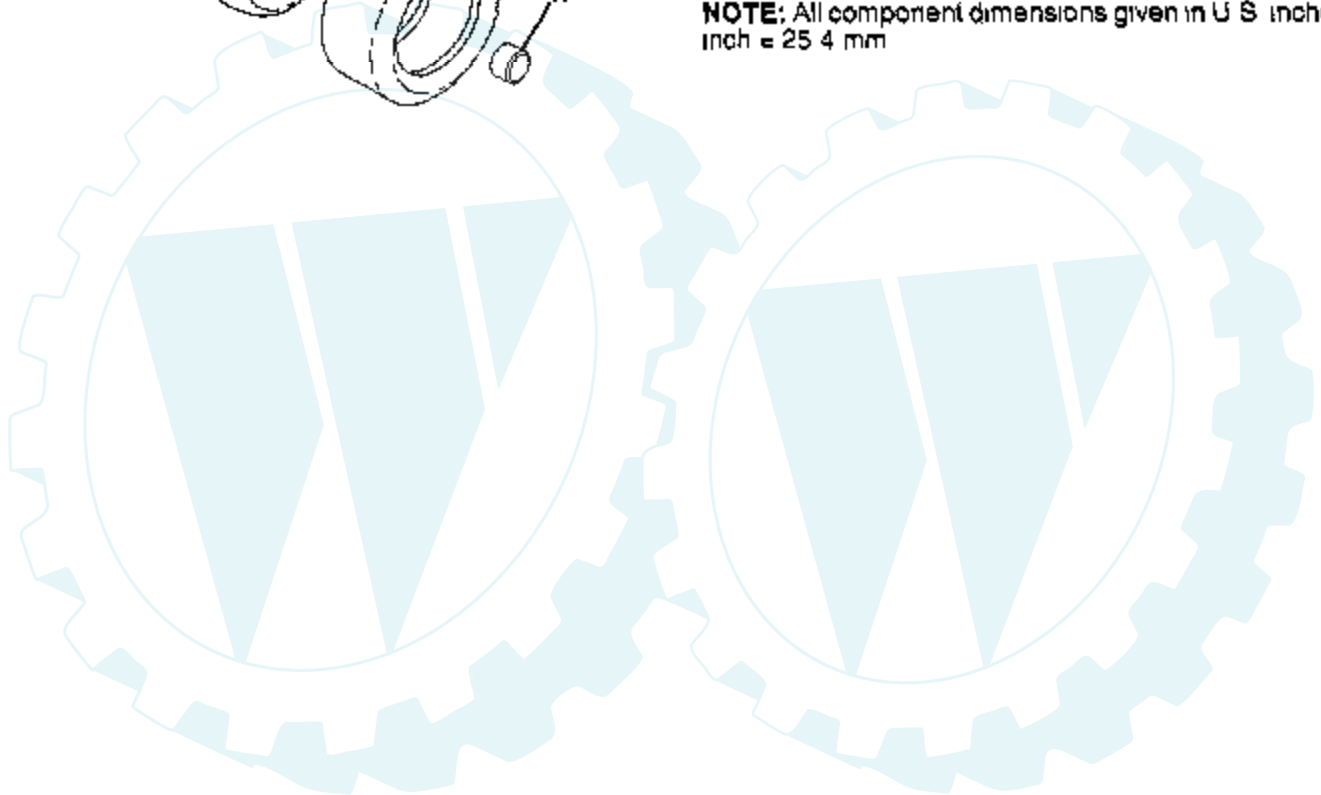
Ref #	Part Number	Qty	Description
	3652		WASHER PLAIN
	3693		WASHER PLAIN
	3653		WASHER PLAIN
	3408		WASHER PLAIN
	3732		WASHER PLAIN
	3184		WASHER, PLAIN .758 X 1.25 X .031
	3733		WASHER PLAIN
	3198		WASHER PLAIN
	3734		WASHER PLAIN
	3735		WASHER PLAIN
	3736		WASHER PLAIN
	3180		WASHER PLAIN
44	3882		SHAFT, DRIVE
45	3646		GEAR, SPUR, 12 TEETH
46	3707		GEAR SPUR, 15 TEETH
47	3866		GEAR, SPUR, 20 TEETH
48	3719		GEAR, SPUR, 25 TEETH
49	3868		GEAR, SPUR, 28 TEETH
50	3683		GEAR, SPUR, 31 TEETH
51	1145		WASHER, PLAIN .632 X 1.00 X .060
52	3191		SEAL FELT
53	3180		WASHER PLAIN
54	3880		AXLE LEFT HAND
55	3780		GEAR, MITER, 15 TEETH
56	3656		RING, RETAINING
57	3839		GEAR, SPUR, 32 TEETH
58	3919		SHAFT, CROSS
59	3781		GEAR, MITER, 15 TEETH
60	3881		AXLE, R.H.
61	3864		HOUSING LOWER
62	3920		PUCK, FRICTION
63	3276		DISC, BRAKE
64	3758		SPACER
65	3916		JAW, BRAKE
66	3843		PIN, DOWEL
67	3915		SCREW TAPPING
68	3768		LEVER, ACTUATING
69	3760		WASHER, PLAIN .321 X 1.00 X .055
70	3917		BRACKET, ANTI-ROTATION
71	3847		LOCKNUT 5/16-24
72	3724		SCREW TAPPING
73	3906		WASHER PLAIN
74	3907		PUCK, FRICTION
75	4300		GREASE

14 HP 42" TRACTOR - - MODEL NUMBER RL1442A

WHEELS & TIRES



NOTE: All component dimensions given in U S inches - 1
inch = 25.4 mm



Ref #	Part Number	Qty	Description
1	59192		VALVE CAP
2	65139		VALVE STEM LT
3	106222X		SUB= 122073X
4	59904		TUBE.5.3/4.5/6
5	106732X311		SUB= 106732X427
6	278H		FITTING LT
7	9040H		"FLANGE, BEARING"
8	106108X311		SUB= 106108X427
9	106268X		SUB= 122074X
10	7152J		TUBE.18X9.5-8
11	104757X		HUB CAP

