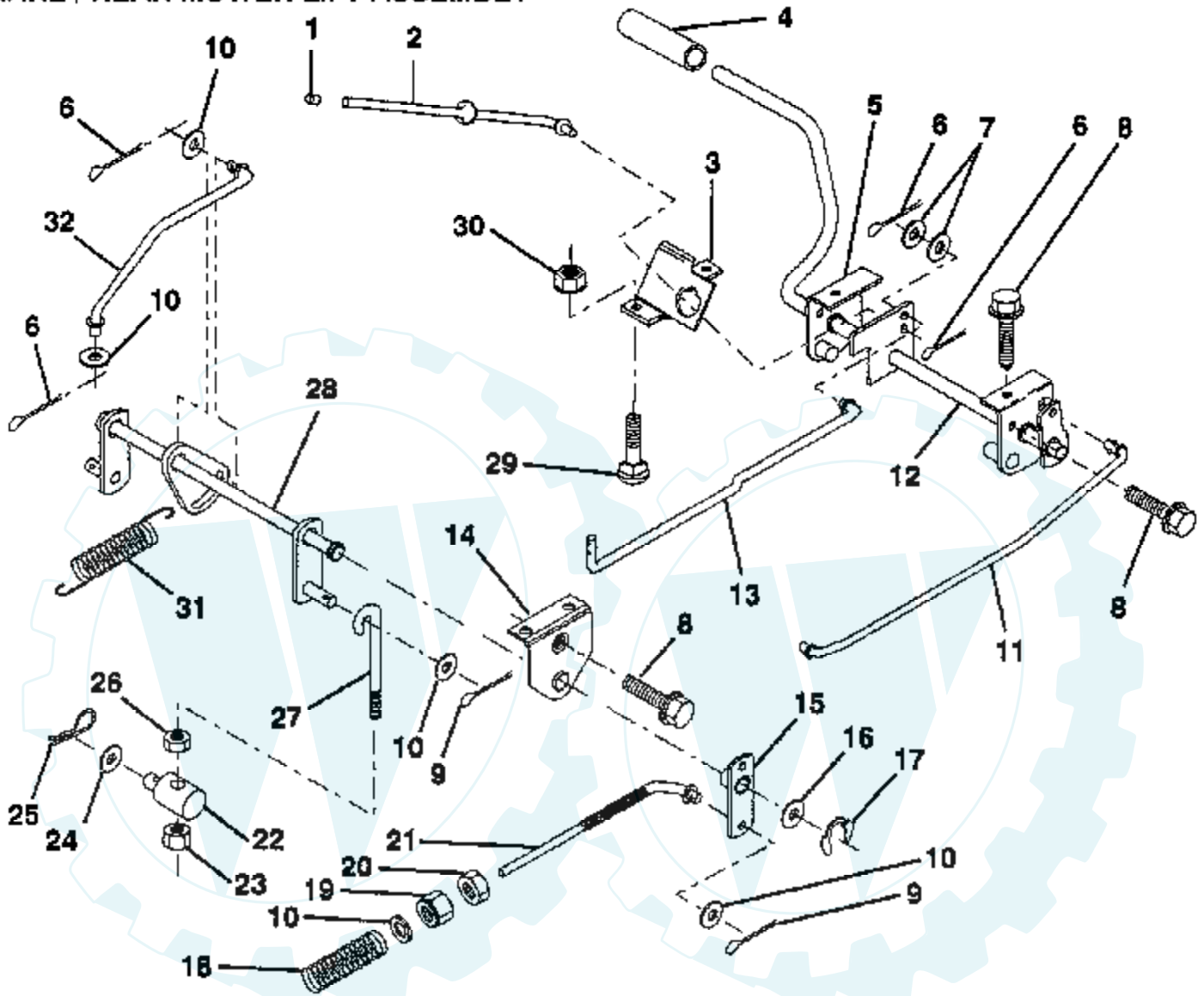


12 HP 38" TRACTOR -- MODEL NUMBER RL12R38A BRAKE / REAR MOWER LIFT ASSEMBLY

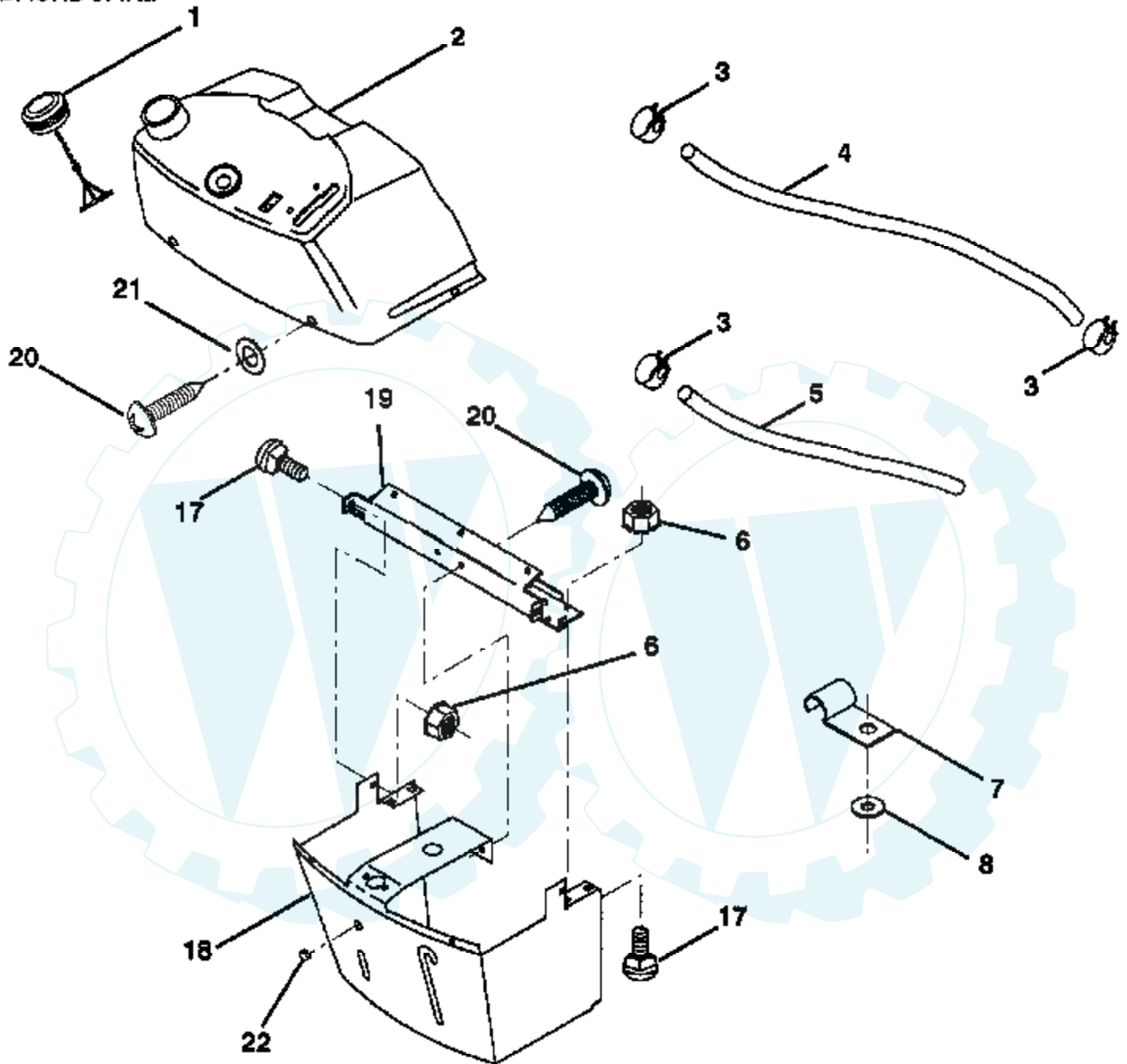


NOTE: All component dimensions given in U.S. inches
1 Inch = 25.4 mm

Ref #	Part Number	Qty	Description
1	71673		PLUNGER CAP T
2	123436X		"ROD,PARK BRAKE"
3	123437X		"BRKT,PARK BRAKE"
4	8883R		PEDAL COVER T
5	132205		BRK ASM CLUT LH
6	76020312		SUB= 3145
7	19131016		WASHER
8	17490508		SCREW LT
9	76020412		COTTER PIN
10	19131316		WASHER
11	131656		SUB= 136225
12	132563		ASM CLUT/BRK PED
13	123394X		"ROD,CLUTCH"
14	121978X		"BRKT,LIFT SHAFT"
15	133332		PVT BRAKE ARM ASM
16	19251816		WASHER T
17	12000034		KLIP RING
18	106888X		SPRING ROD LT
19	73350600		NUT
20	73680600		SUB= 73690600
21	131460		SUB= 532131460
22	127378		SUB= 144585
23	73680600		SUB= 73690600
24	19132012		WASHER
25	4921H		SPRING.RETAINER
26	73930600		LOCKNUT
27	132218		THREADED LINK
28	132221		ASM REAR MOW LIFT
29	72110506		SUB= 72270506
30	73510500		NUT
31	133095		COUNTER SPRING
32	133721		LINK LIFT LEVER

12 HP 38" TRACTOR - - MODEL NUMBER RL12R38A

DASHBOARD



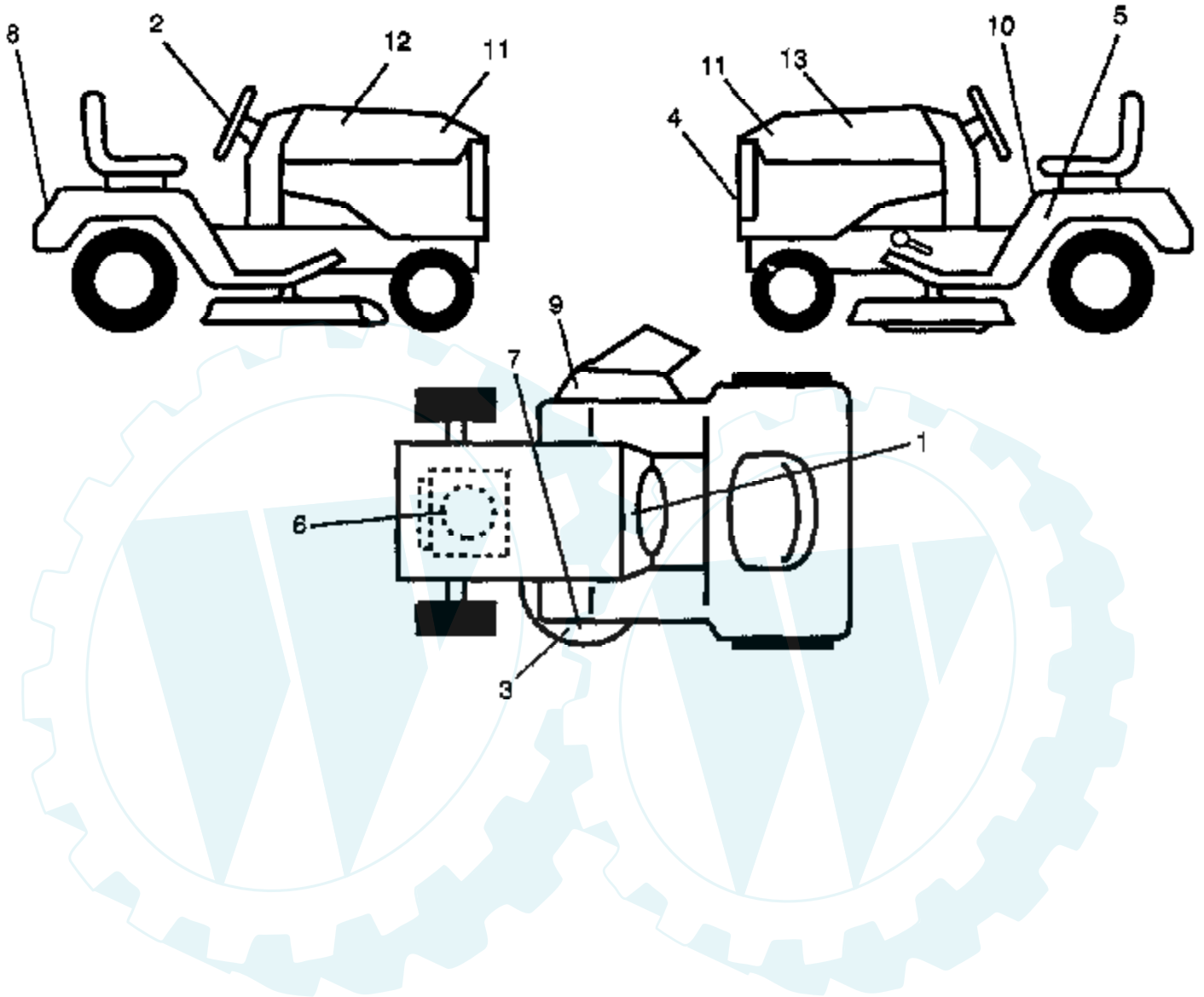
NOTE: All component dimensions given in U S inches
1 inch = 25.4 mm

Ref #	Part Number	Qty	Description
1	122015X		SUB= 141523
2	130914		SUB= 138392
3	123487X		HOSE CLAMP
4	8544R		SUB= 295J
5	8548R		FUEL LINE T
6	73510400		NUT
7	2751R		CLIP T
8	19091216		WASHER PM
17	72110404		BOLT
18	131886		SUPT ASM DASH
19	134744		CROSS BRACE
20	18000408		SUB= 818000408
21	19090816		WASHER
22	134014		PLUG DOME

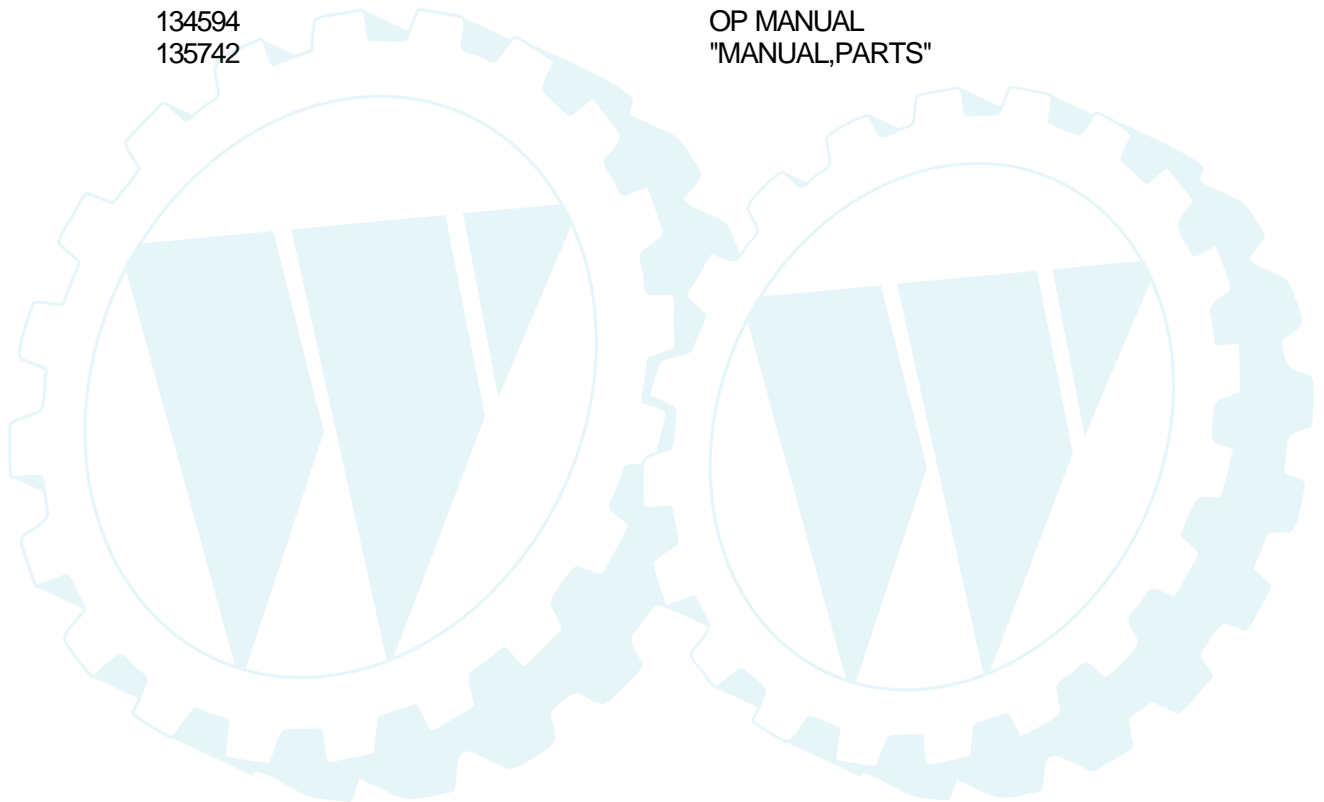


12 HP 38" TRACTOR -- MODEL NUMBER RL12R38A

DECALS

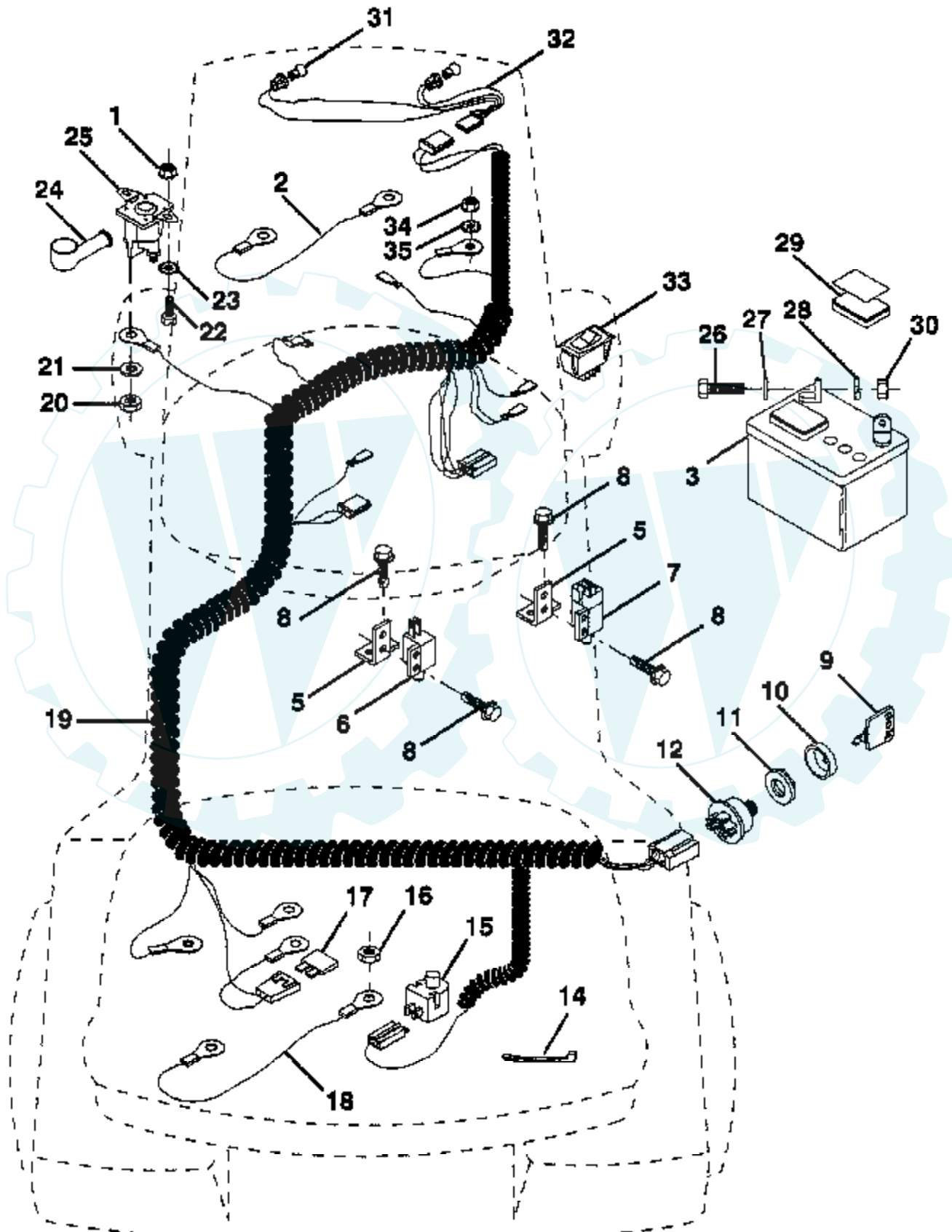


Ref #	Part Number	Qty	Description
1	123637X		SUB= 138269
2	127075		"DECAL,STR WHL"
3	135013		NLA
4	132627		GRILL DECAL
5	132928		IND HGT DECK DECA
6	120601X		DECAL.ENG.271967
7	109820X		DECAL YT
8	132628		FENDER DECAL
9	121349X		DECAL WARNING
10	133795		DECAL CAUTION
11	127033		"DECAL,HOOD"
12	130568		"DECAL,STP HD RH"
13	130569		"DECAL,STP HD LH"
	134595		OP MANUAL
	134594		OP MANUAL
	135742		"MANUAL,PARTS"



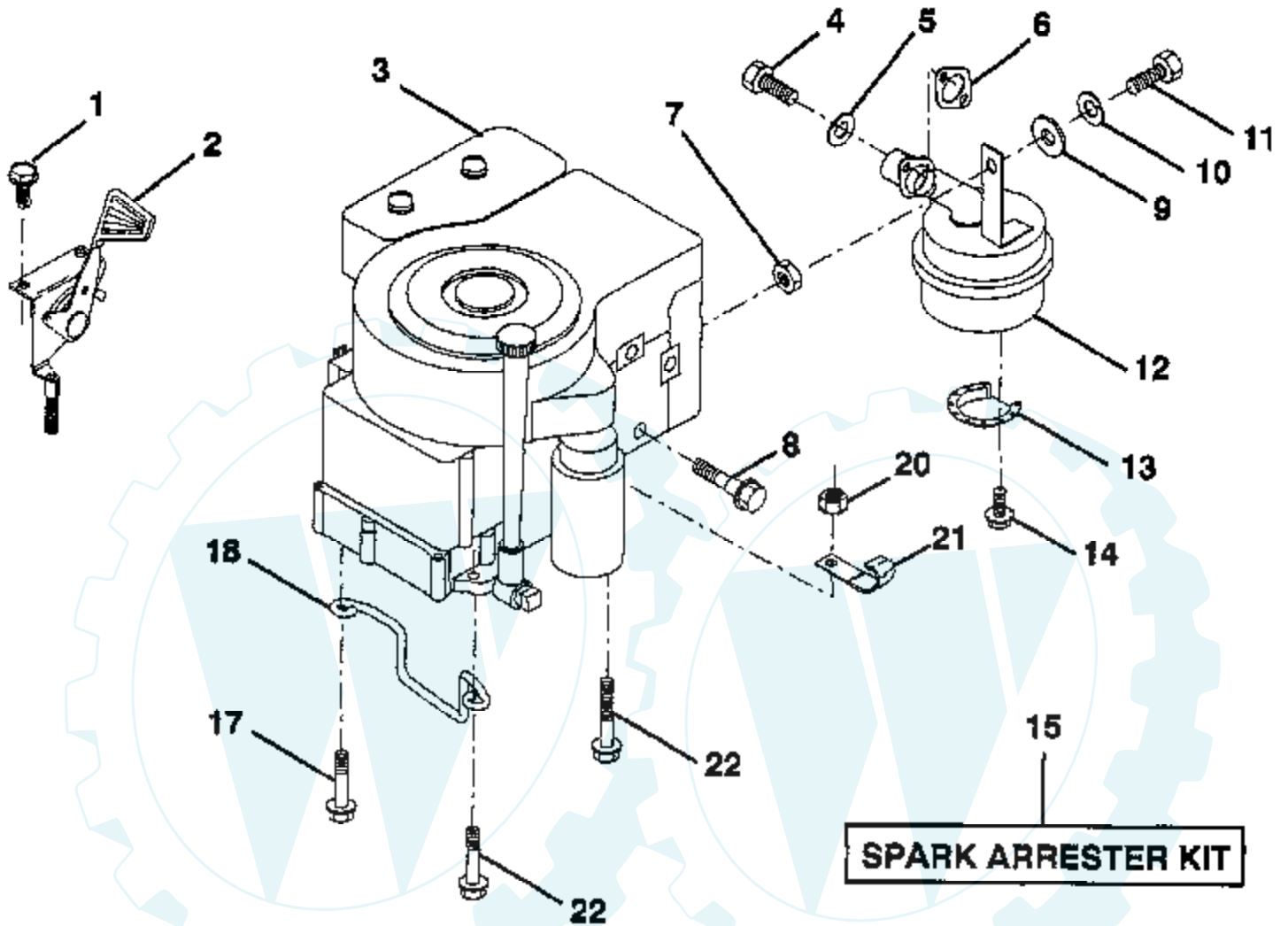
12 HP 36" TRACTOR - - MODEL NUMBER RL12R38A

ELECTRICAL



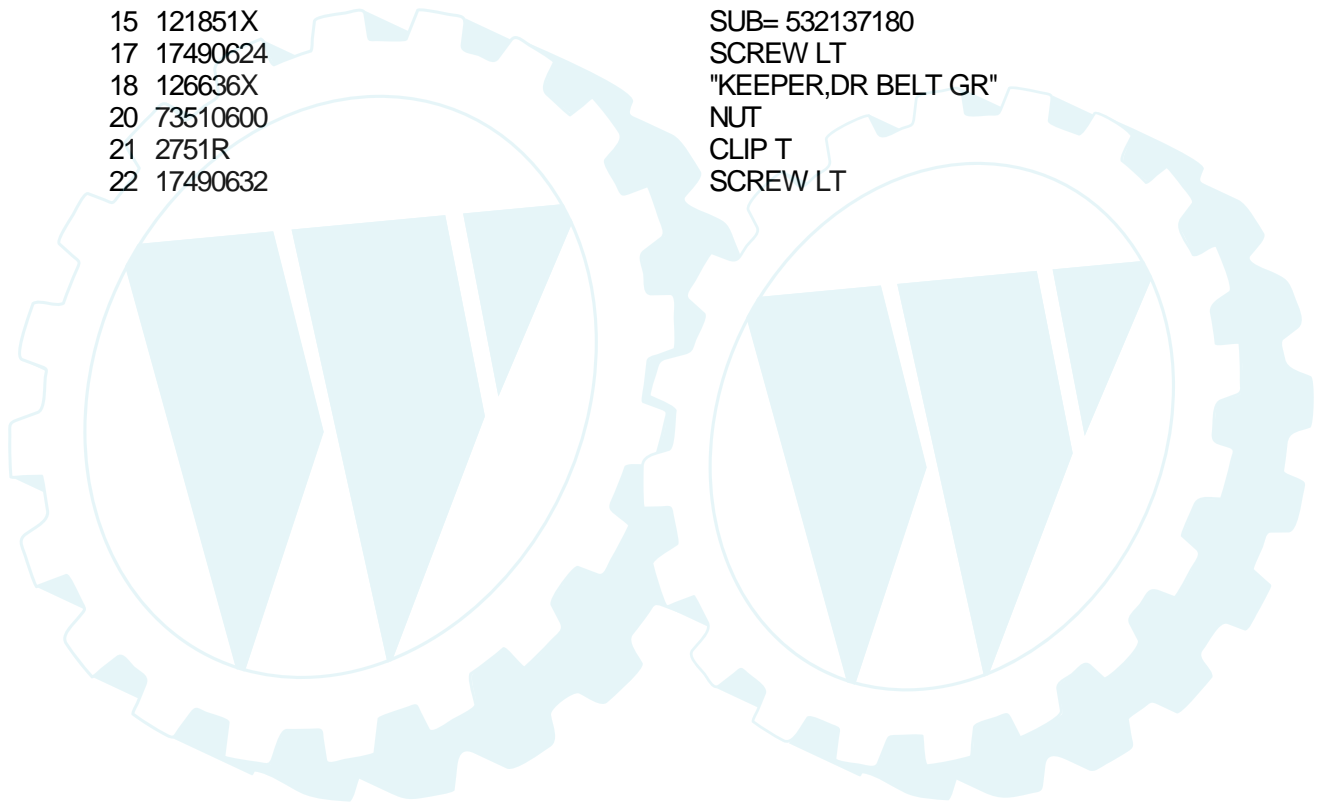
Ref #	Part Number	Qty	Description
1	73510400		NUT
2	108423X		CABLE ASM.
3	133909		SUB= 123899X
5	108236X		BRACKET LT
6	104445X		SWITCH-INTER. GT
7	109553X		SWITCH INTERLOCKT
8	17021008		SCREW
9	122147X		KEY
10	123620X		SUB= 141226
11	124211X		NUT IGNITION
12	4406R		SUB= STD365402
14	7192J		WIRE TIE
15	121305X		SWITCH SEAT
16	73510500		NUT
17	108824X		FUSE HYT
18	128353		CABLE ASSY
19	132222		SUB= 532132222
20	73350400		NUT
21	10090400		SUB= 10040400
22	74780408		BOLT
23	11050400		LOCKWASHER
24	131563		SUB= 154336
25	109081X		SUB= 146154
26	74760412		BOLT LT
27	19091016		WASHER
28	10040400		LOCKWASHER
29	121264X		"CAP,BATTERY "
30	73220400		SUB= 50675
31	7662J		SUB= 4152J
32	127441X		SUB= 136850
33	110712X		SWITCH LT
34	73510600		NUT
35	11050600		LOCKWASHER

12 HP 38" TRACTOR -- MODEL NUMBER RL12R38A
ENGINE / THROTTLE

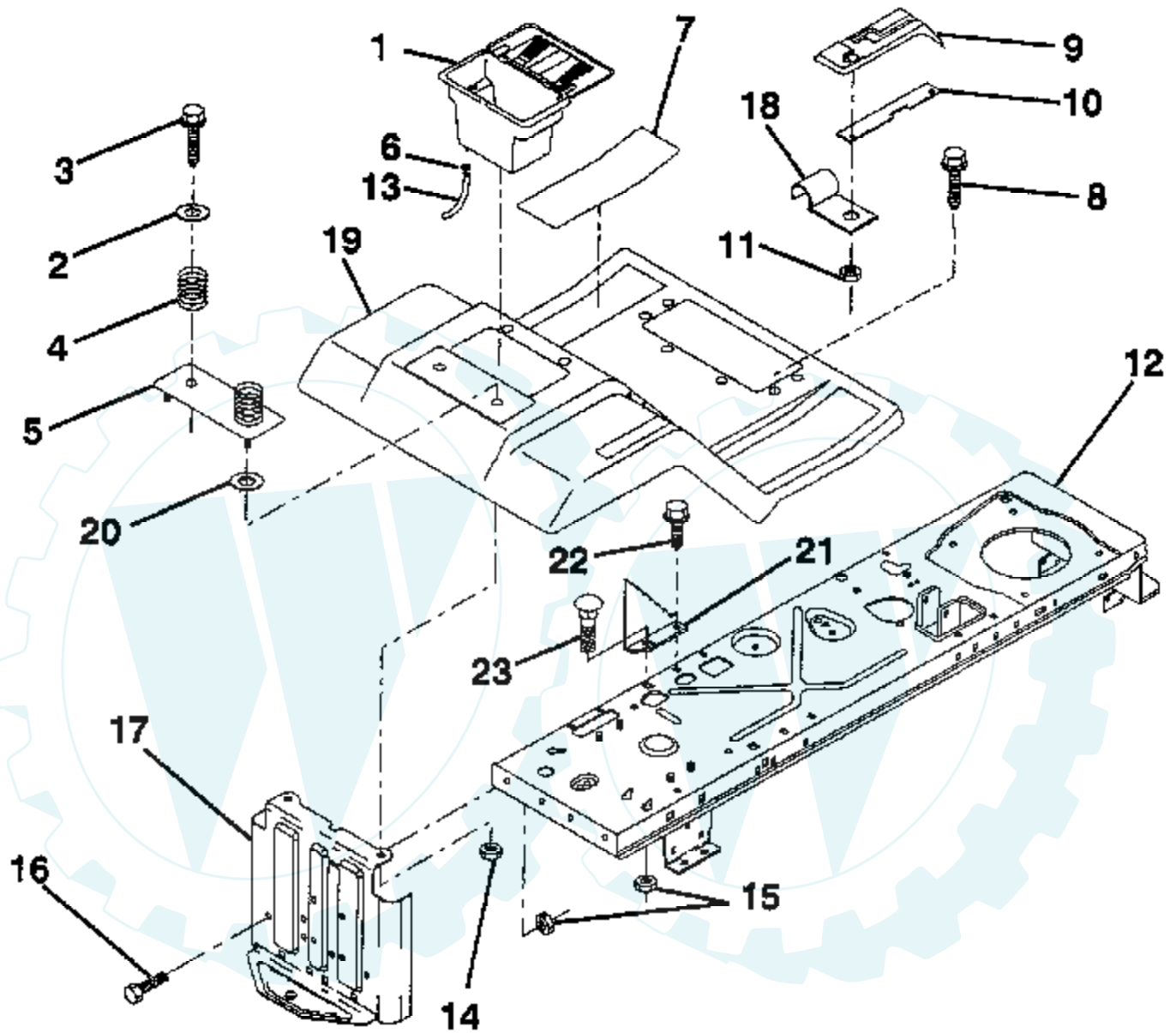


NOTE: All component dimensions given in U.S. inches
1 inch = 25.4 mm

Ref #	Part Number	Qty	Description
1	17720408		SCREW
2	132521		THROTTLE CONTROL
3	131951		ENGINE BRIGGS AND STRATTON
4	71070512		SCREW
5	10040500		LOCKWASHER
6	125593X		SUB= 272293
7	73220500		NUT.HEX.5/16-18
8	121094X		BOLT T
9	19101216		WASHER
10	10040400		LOCKWASHER
11	74780412		SUB= 74780414
12	124097X		MUFFLER
13	101326L		DEFLECTOR.222573
14	17030808		SUB= 17030814
15	121851X		SUB= 532137180
17	17490624		SCREW LT
18	126636X		"KEEPER,DR BELT GR"
20	73510600		NUT
21	2751R		CLIP T
22	17490632		SCREW LT

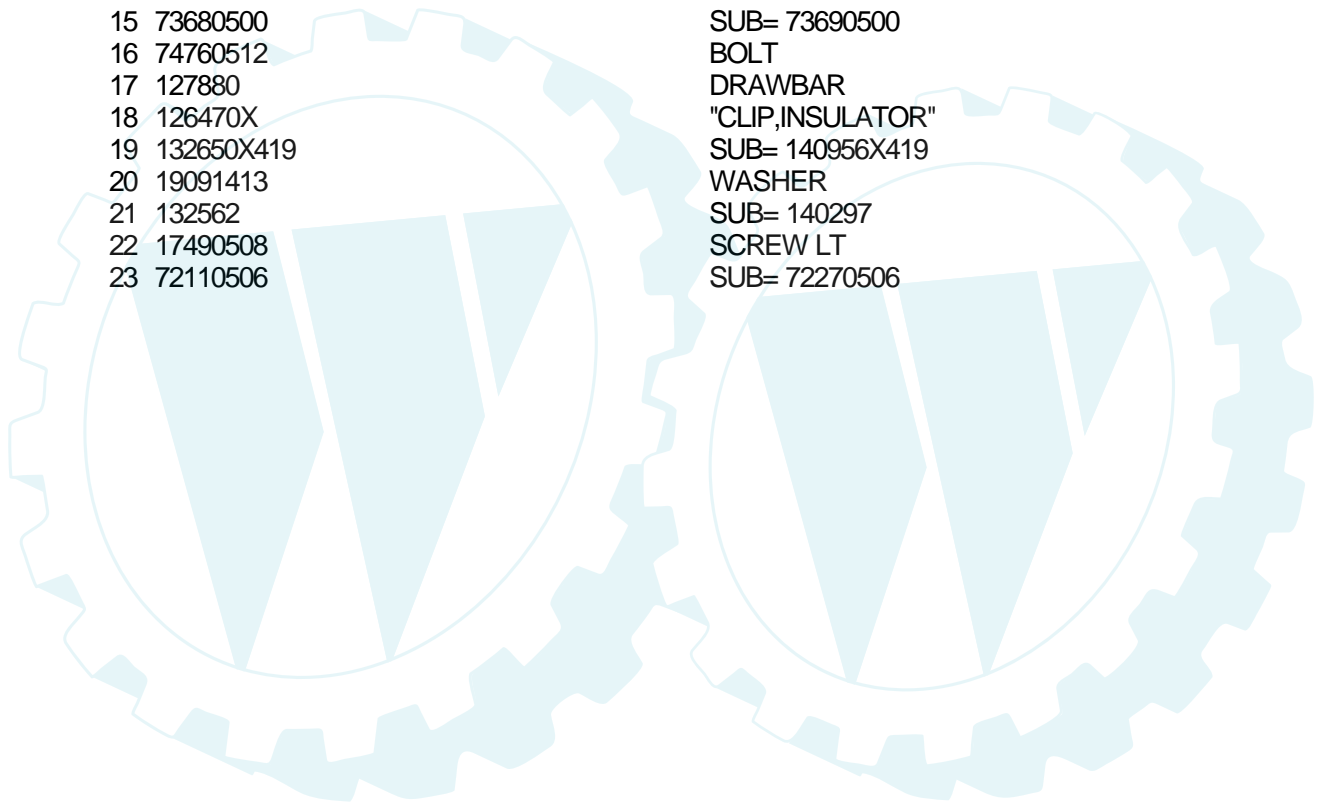


12 HP 38" TRACTOR - - MODEL NUMBER RL12R38A
FENDER / CHASSIS



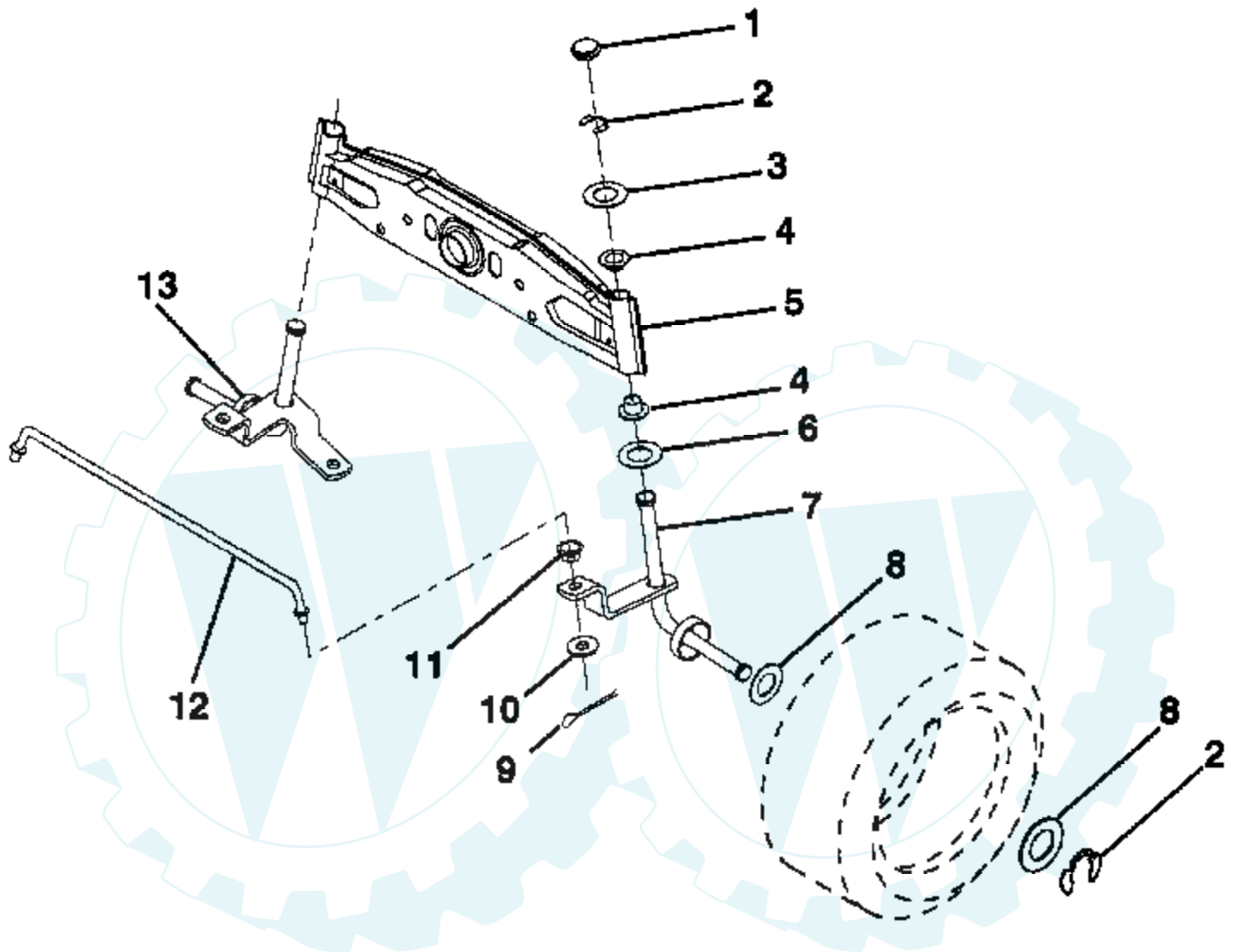
NOTE: All component dimensions given in U.S. inches
1 inch = 25.4 mm

Ref #	Part Number	Qty	Description
1	129965		SUB= 156417
2	19132012		WASHER
3	17490612		SCREW
4	124181X		SPRING COMPRESSIO
5	127115X419		"PLATE, BATTERY"
6	109596X		HOSE CLAMP T
7	124144X		PAD FOOTREST
8	17490512		SCREW
9	126995X		SUB= 126995X428
10	124307X		"SHIFT LOCK, BAR"
11	124346X		NUT
12	133384		SUB= 139893
13	105687X		SUB= 109238X
14	73510400		NUT
15	73680500		SUB= 73690500
16	74760512		BOLT
17	127880		DRAWBAR
18	126470X		"CLIP,INSULATOR"
19	132650X419		SUB= 140956X419
20	19091413		WASHER
21	132562		SUB= 140297
22	17490508		SCREW LT
23	72110506		SUB= 72270506



12 HP 38" TRACTOR - - MODEL NUMBER RL12R38A

FRONT AXLE



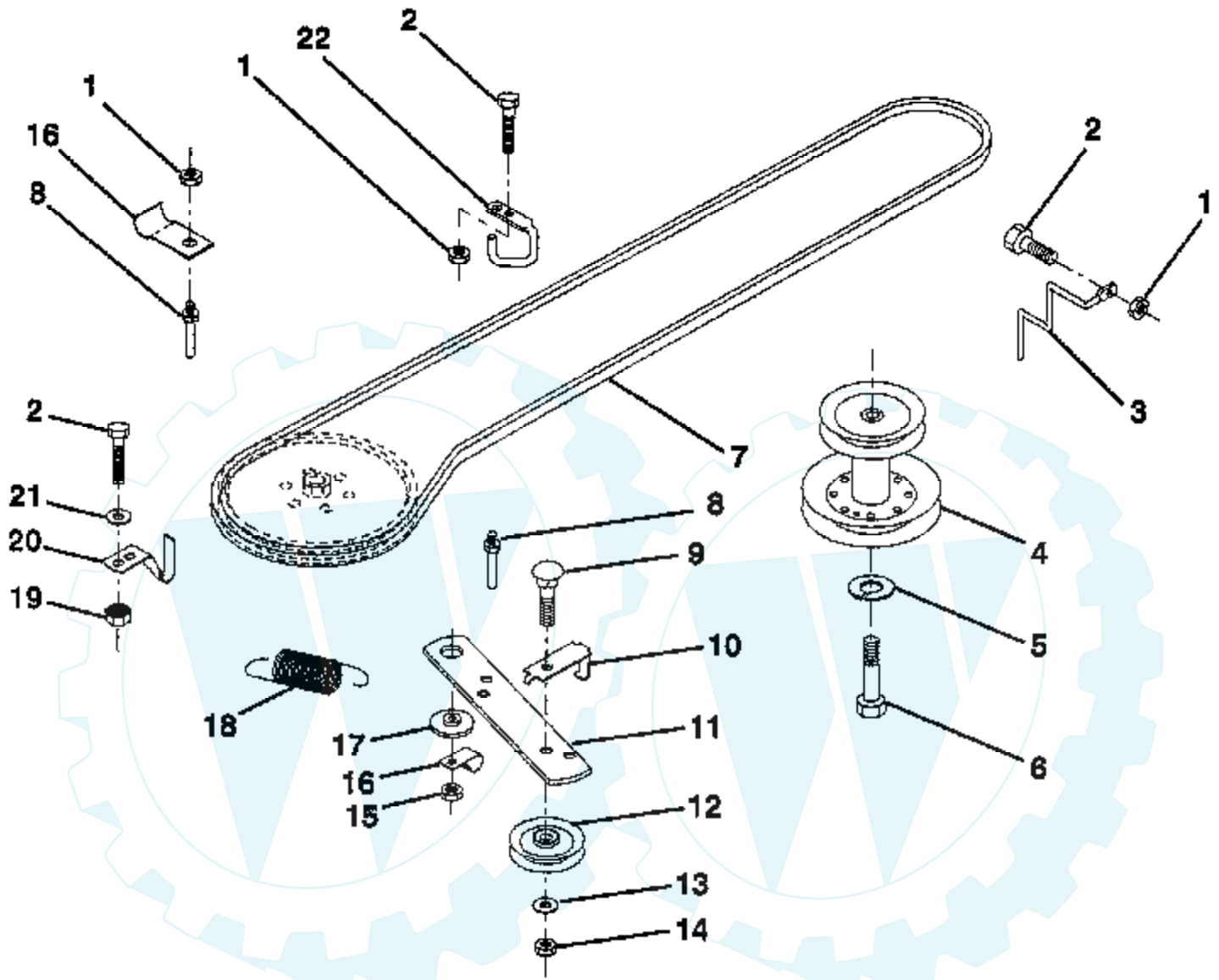
NOTE: All component dimensions given in U.S. inches
1 inch = 25.4 mm

Ref #	Part Number	Qty	Description
1	121232X		CAP
2	12000029		RING
3	121748X		WASHER
4	121922X		NYLINER
5	121914X		AXLE FRONT
6	6266H		WASHER .T
7	121919X		SPINDLE RH
8	121749X		WASHER
9	76020412		COTTER PIN
10	19131316		WASHER
11	126847X		BUSHING.DRAGLINK
12	121924X		ROD TIE
13	121916X		SPINDLE LH



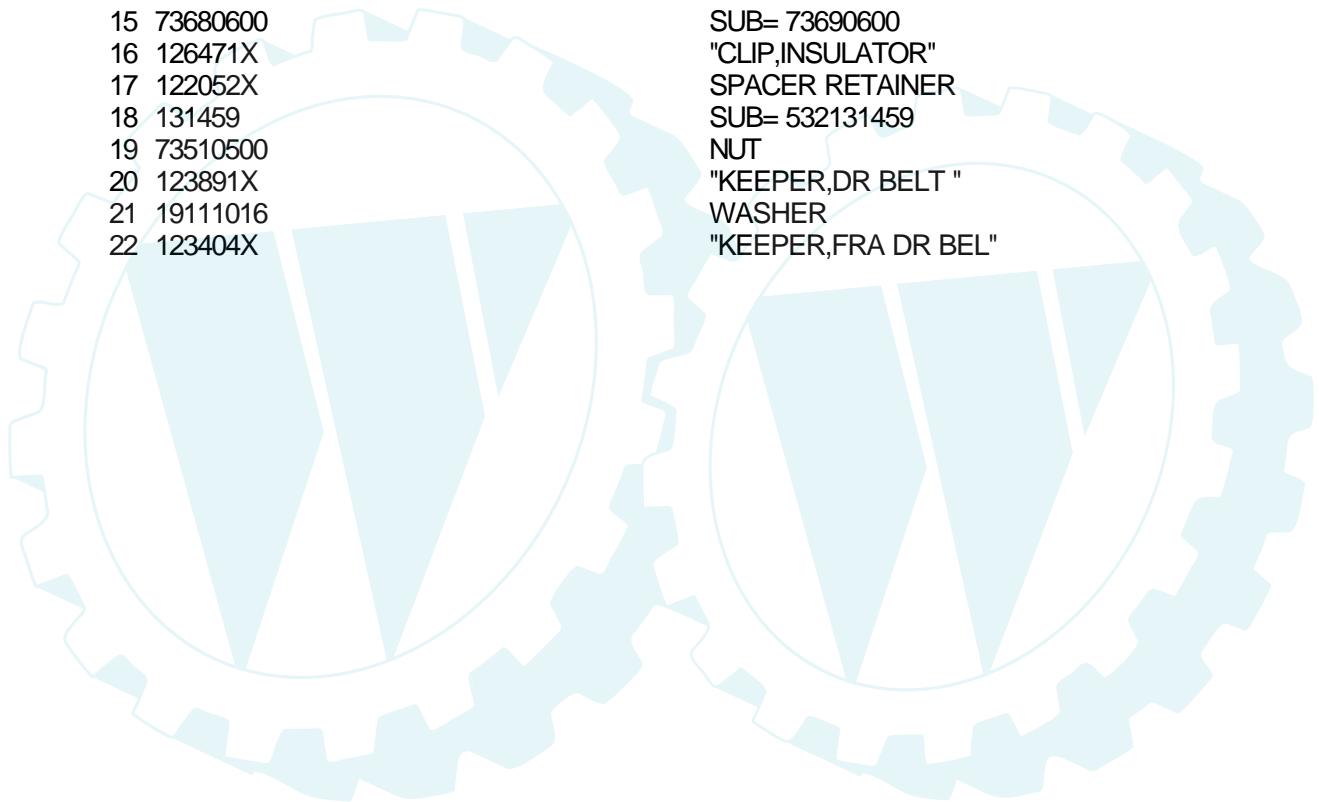
12 HP 38" TRACTOR - - MODEL NUMBER RL12R38A

GROUND DRIVE



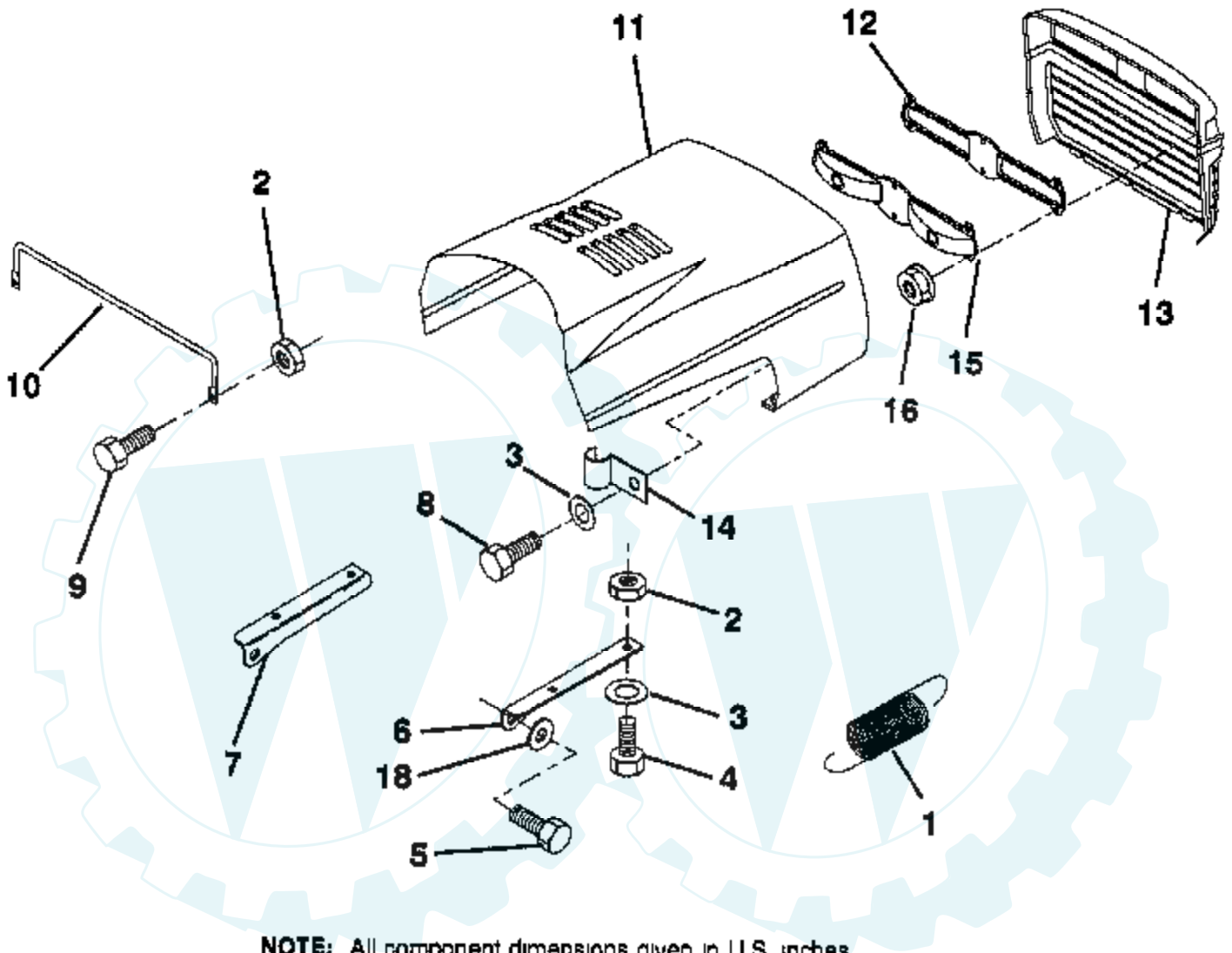
NOTE: All component dimensions given in U.S. inches
1 inch = 25.4 mm

Ref #	Part Number	Qty	Description
1	73680500		SUB= 73690500
2	74760512		BOLT
3	132946		KEEPER MWR DR BLT
4	135036		SUB= 138029
5	10040700		LOCKWASHER
6	71130748		BOLT
7	124525X		BELT
8	123408X		DECAL DRIVE
9	72140612		BOLT
10	123396X		"KEEP, IDLER DR BEL "
11	123395X		SUB= 140911
12	4859J		SUB= 123674X
13	19131316		WASHER
14	73930600		LOCKNUT
15	73680600		SUB= 73690600
16	126471X		"CLIP, INSULATOR"
17	122052X		SPACER RETAINER
18	131459		SUB= 532131459
19	73510500		NUT
20	123891X		"KEEPER, DR BELT "
21	19111016		WASHER
22	123404X		"KEEPER, FRA DR BEL "



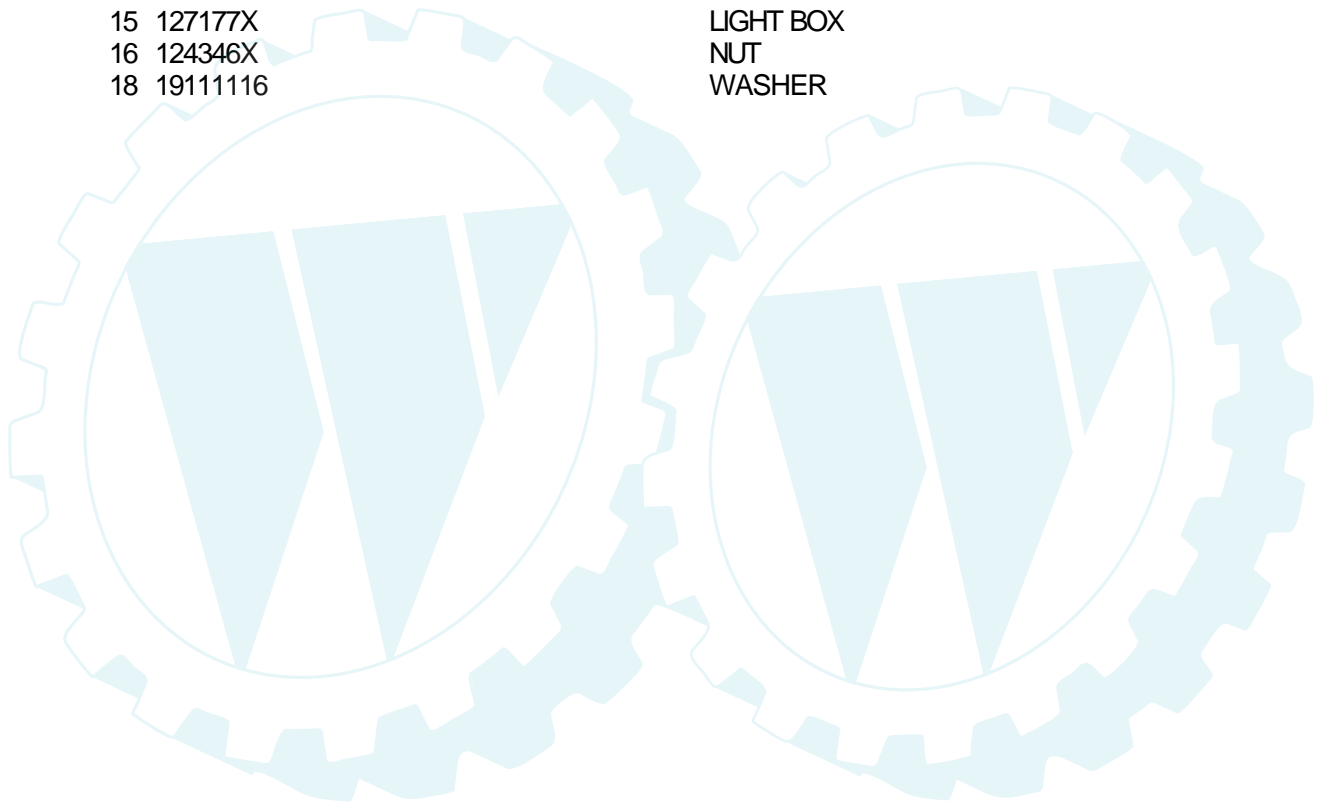
12 HP 38" TRACTOR - - MODEL NUMBER RL12R38A

HOOD



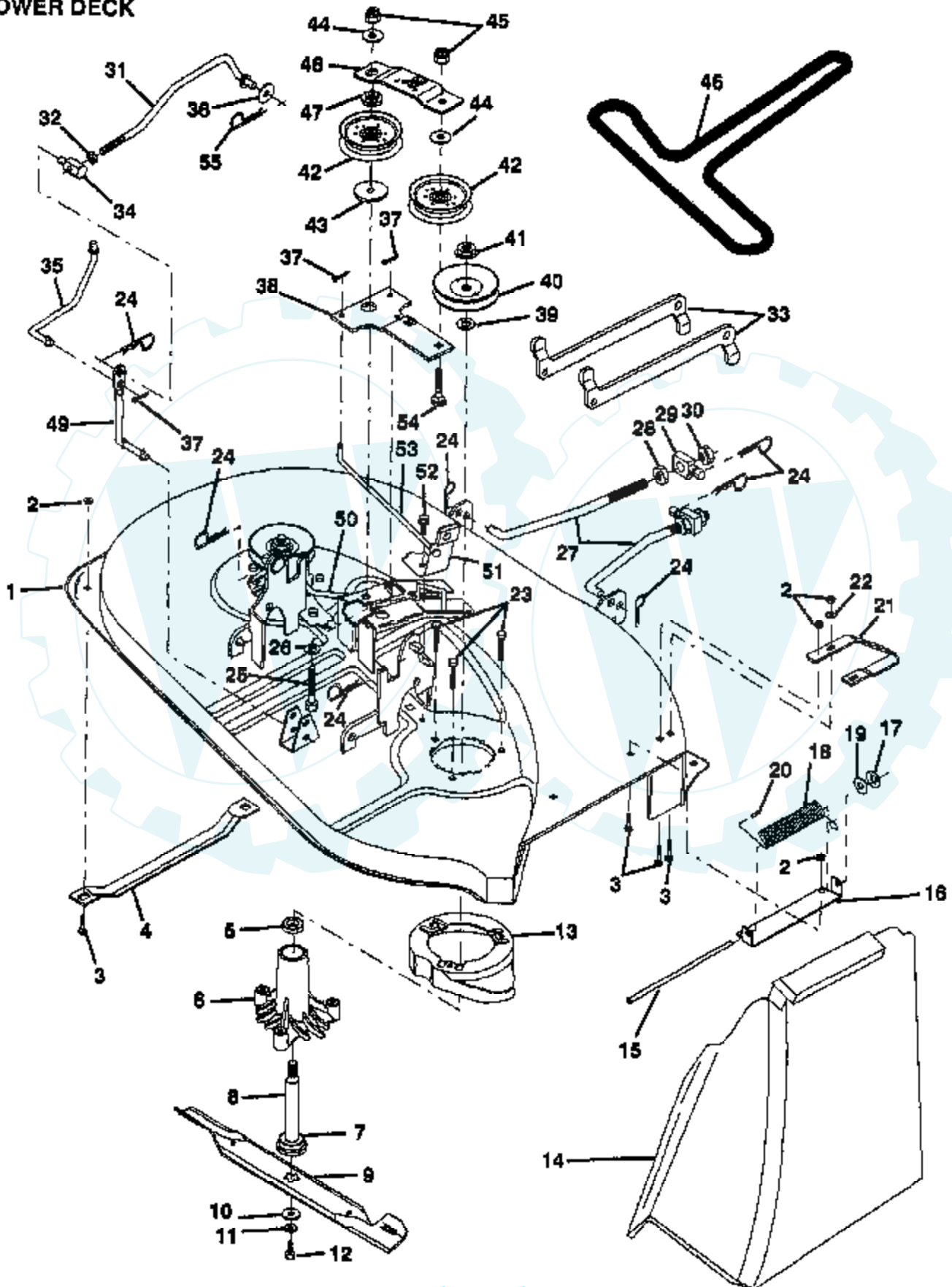
NOTE: All component dimensions given in U.S. inches
1 inch = 25.4 mm

Ref #	Part Number	Qty	Description
1	124657X		EXT SPRING
2	73510400		NUT
3	19091016		WASHER
4	74780410		BOLT
5	126675X		SUB= 139888
6	122549X		BRKT HOOD RH
7	122548X		BRKT HOOD LH
8	17411310		SUB= 17521312
9	74780412		SUB= 74780414
10	123693X		"BRACE,HOOD"
11	132918X419		HOOD
12	127178		LENS T
13	134232X507		GRILL
14	2751R		CLIP T
15	127177X		LIGHT BOX
16	124346X		NUT
18	19111116		WASHER



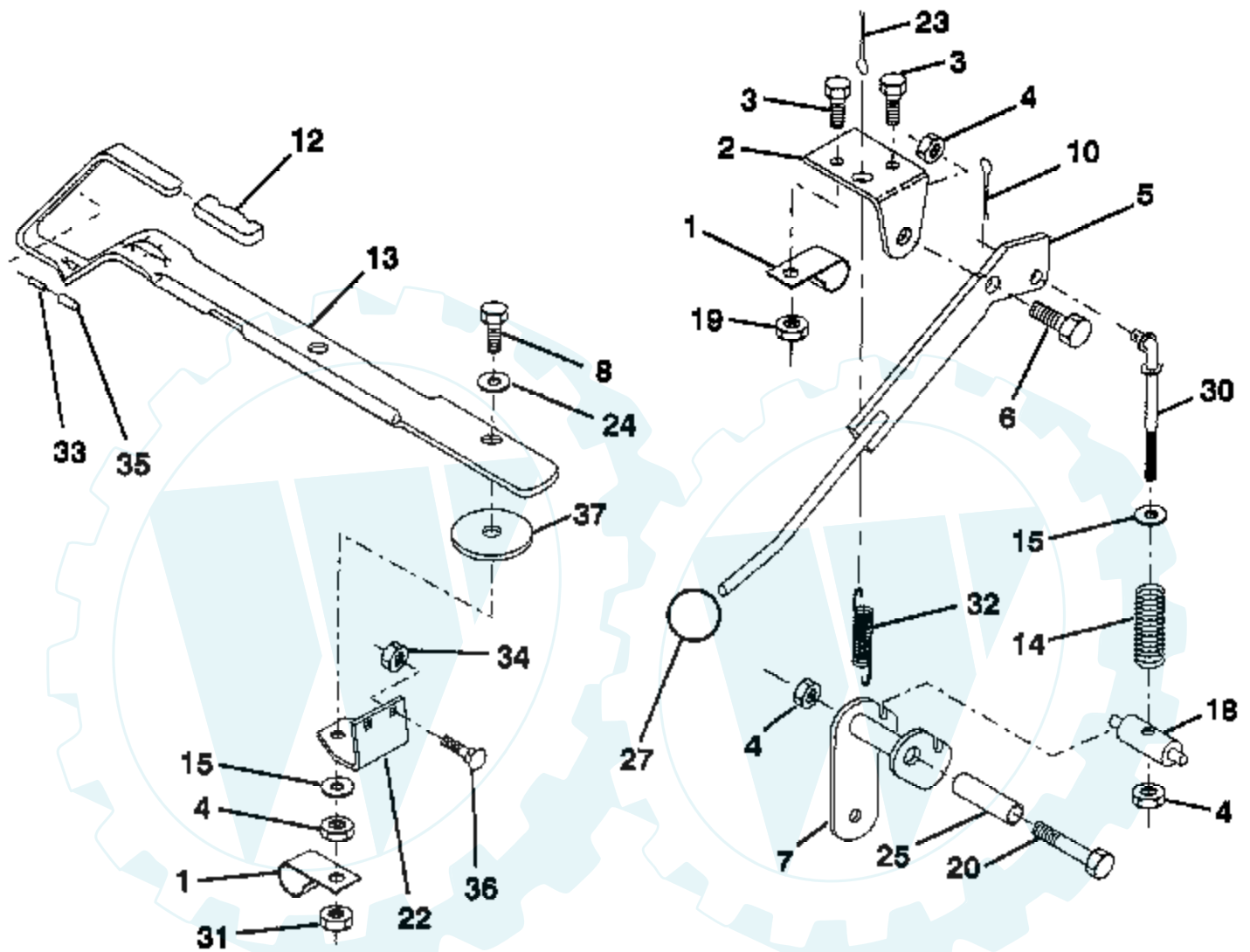
12 HP 38" LAWN TRACTOR -- MODEL NUMBER RL12R38A

MOWER DECK



Ref #	Part Number	Qty	Description
1	132564		MOWER DECK ASSY
2	73680500		SUB= 73690500
3	72140506		BOLT
4	7631J		RUNNER-LH M
5	110485X		BEARING
6	128774		HSG ASM MANDREL
7	129895		BEARING.BALL
8	133172		SUB= 137646
9	127842		SUB= 138497
10	129962		WASHER BLADE
11	10030600		SUB= 10040600
12	850857		BLADE BOLT
13	128961		SUB= 140329
14	106736X		DEFLECTOR-SHLD T
15	106735X		ROD-HINGE T
16	105896X		SUB= 137607
17	110452X		NUT PUSH M
18	106734X		SUB= 123713X
19	19111016		WASHER
20	105304X		CAP-SLEEVE LT
21	128772		RUNNER RH
22	19111216		WASHER M
23	78158		SUB= 17580520
24	4939M		SUB= 85902
25	74600636		BOLT
26	19131612		WASHER GT
27	132256		SEAL.COVER.BAGGER
28	73350800		NUT
29	130171		TRUNION
30	73800800		NUT.LK.W/WSH.1/2.
31	132553		CLUTCH ROD PRI
32	73350600		NUT
33	132559		SUSP ARM REAR
34	133604		TRUNNION
35	132554		CLUTCH ROD SEC
36	19131316		WASHER
37	76020312		SUB= 3145
38	133840		IDLER ARM ASSY
39	129963		WASHER
40	129206		SUB= 153532
41	73050900		SUB= 139729
42	131494		FLAT IDLER PULLEY
43	122052X		SPACER RETAINER
44	19131612		WASHER GT
45	73680600		SUB= 73690600
46	131290		BELT-V.88.12.MW
47	133502		RETAINER SPACER
48	133503		IDLER ARM STIFF
49	133551		PIVOT ROD
50	131289		BRAKE ROD LH
51	130840		BRAKE ASM
52	17490512		SCREW
53	131288		BRAKE ROD RH
54	72110614		BOLT
55	4497H		RETAINER M
	134578		SUB= 142862
	130794		MANDREL ASM

12 HP 38" TRACTOR - - MODEL NUMBER RL12R38A MOWER LIFT LEVER

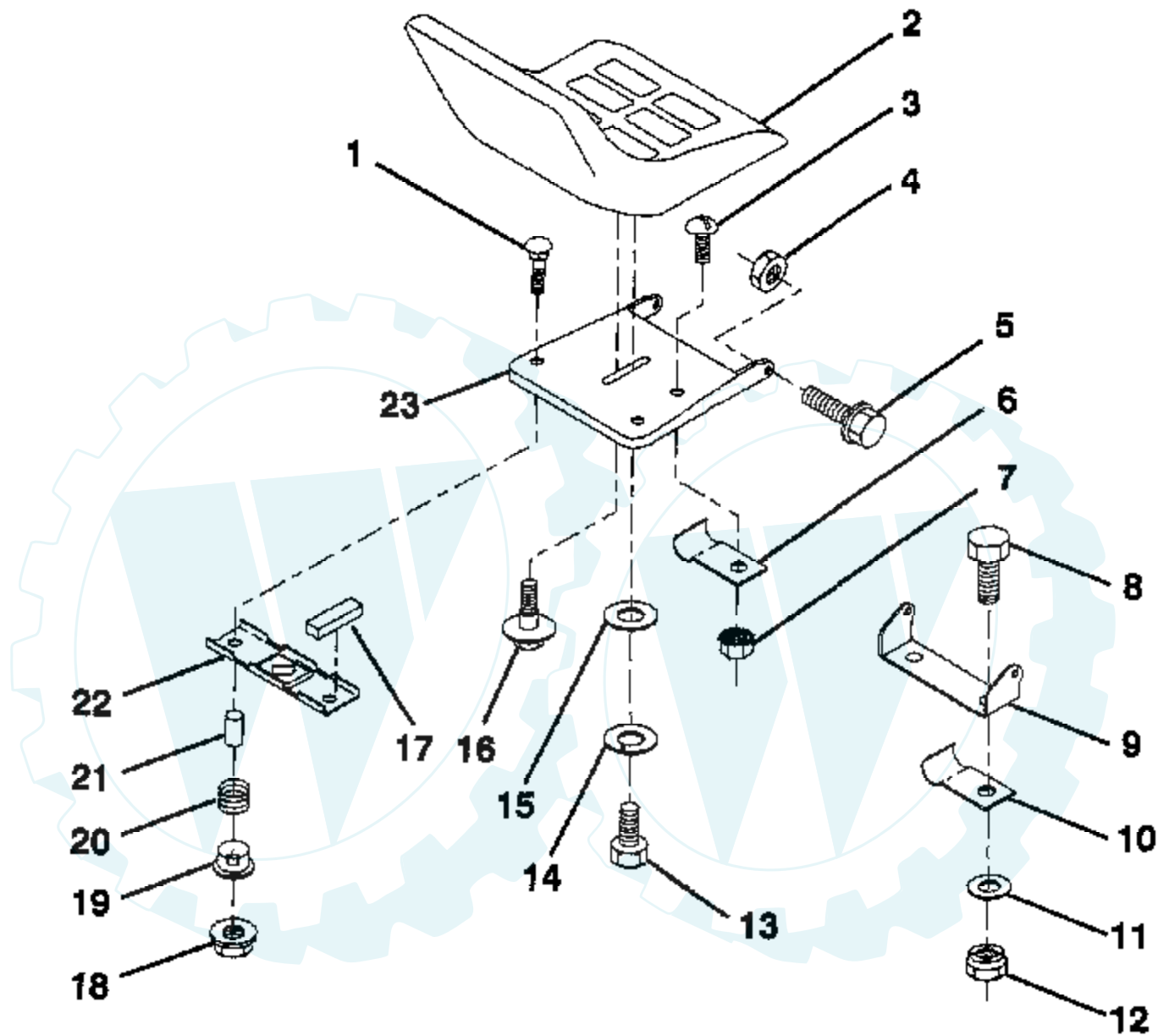


NOTE: All component dimensions given in U.S. inches
1 inch = 25.4 mm

Ref #	Part Number	Qty	Description
1	126470X		"CLIP,INSULATOR"
2	122018X		BRKT CLUTCH
3	74780408		BOLT
4	73680600		SUB= 73690600
5	132552		CLUTCH LEVER AS
6	106451X		"BOLT, SHOULDER LT"
7	135110		MWR CLUT ARM ASM
8	74930624		BOLT
10	76020412		COTTER PIN
12	132929		LIFT LEVER HANDLE
13	133761		LIFT HANDLE ASM
14	133939		COMP CLUTCH SPRNG
15	19131616		WASHER HYT
18	135107		TRUNNION
19	73680400		SUB= 73690400
20	74760644		BOLT
22	132561		LIFT LEVER BRKT
23	76020312		SUB= 3145
24	7672J		WASHER
25	121933X		TUBE SPACER
27	121466X		KNOB
30	135039		ROD TENSION CLUTC
31	73930600		LOCKNUT
32	133435		SPRING EXT
33	407H		ROLL PIN
34	73680500		SUB= 73690500
35	133603		VINYL CAP RED
36	72140506		BOLT
37	19133808		WASHER T

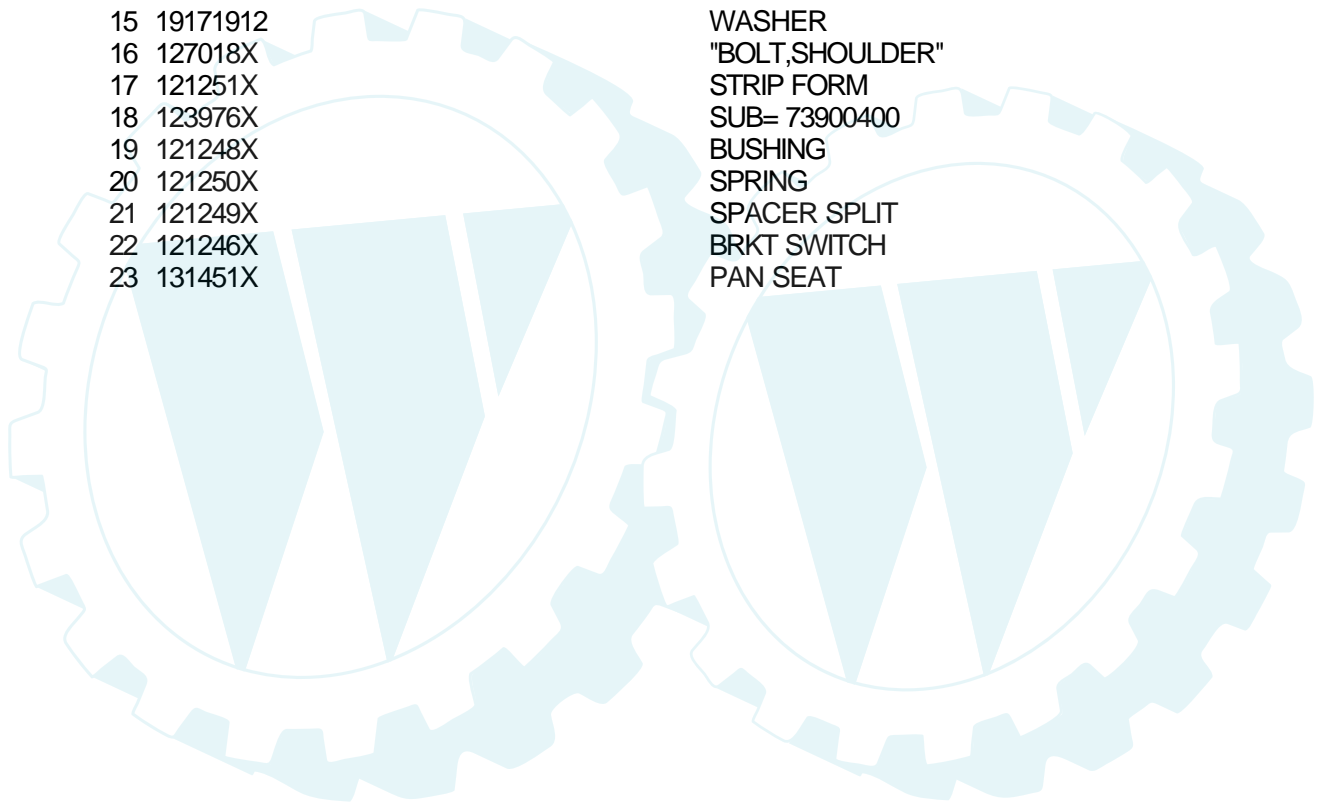
12 HP 38" TRACTOR - - MODEL NUMBER RL12R38A

SEAT

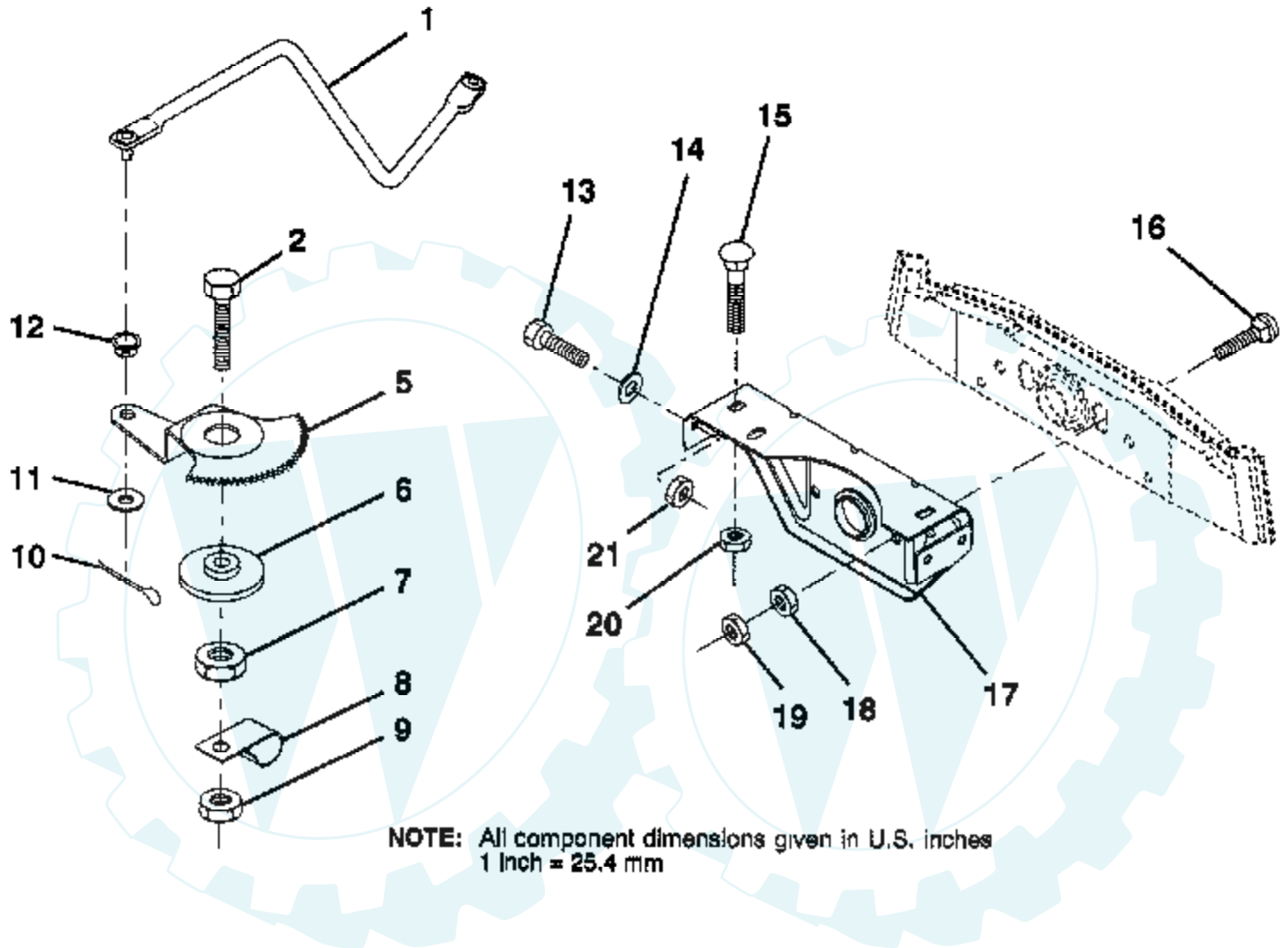


NOTE: All component dimensions given in U.S. inches
1 inch = 25.4 mm

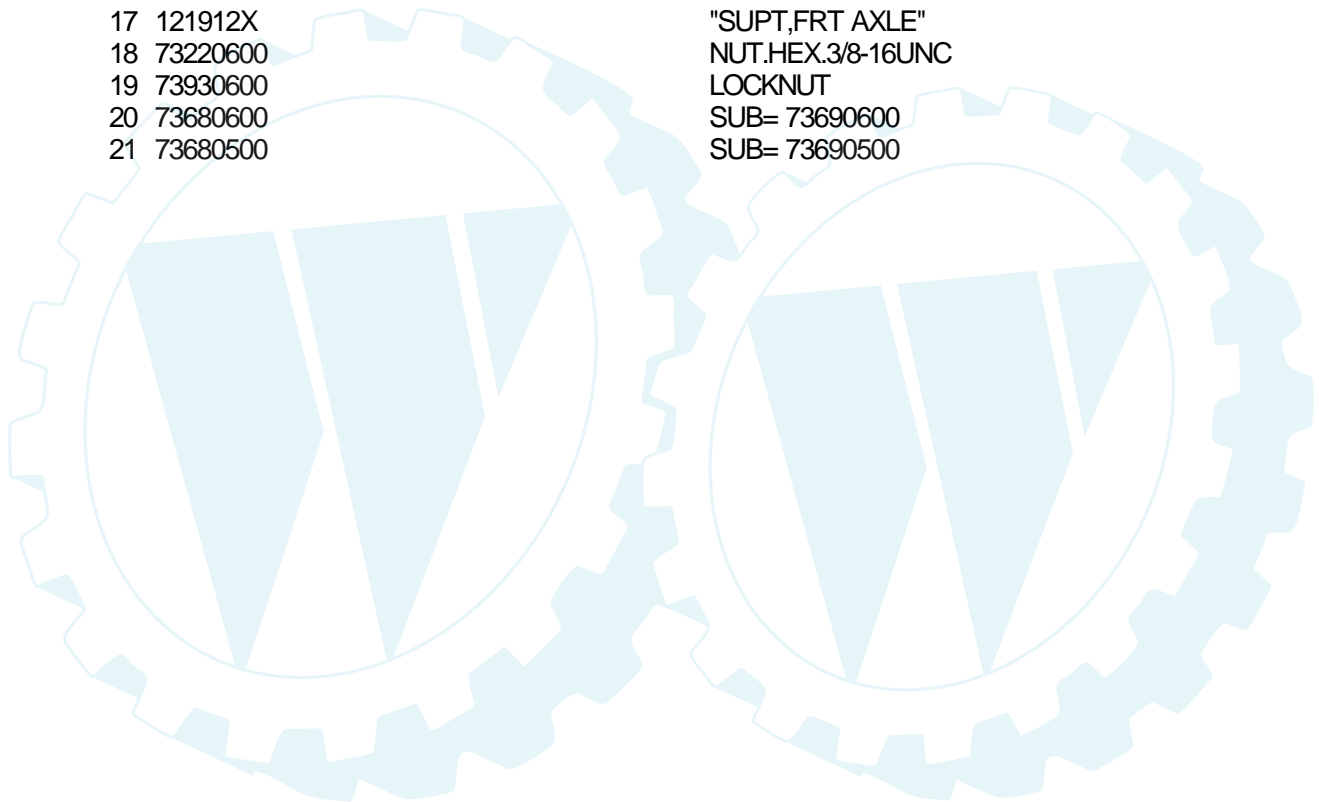
Ref #	Part Number	Qty	Description
1	72050411		SUB= 872050411
2	127423X		SUB= 140119
3	74641008		SUB= 71031008
4	73680500		SUB= 73690500
5	105529X		SUB= 139888
6	4171R		CLIP T
7	73951000		"NUT,KEPS"
8	74760612		SUB= 74780612
9	126656X		SUB= 140551
10	126471X		"CLIP,INSULATOR"
11	19133210		WASHER
12	73680600		SUB= 73690600
13	74780814		BOLT
14	10040800		LOCKWASHER
15	19171912		WASHER
16	127018X		"BOLT,SHOULDER"
17	121251X		STRIP FORM
18	123976X		SUB= 73900400
19	121248X		BUSHING
20	121250X		SPRING
21	121249X		SPACER SPLIT
22	121246X		BRKT SWITCH
23	131451X		PAN SEAT



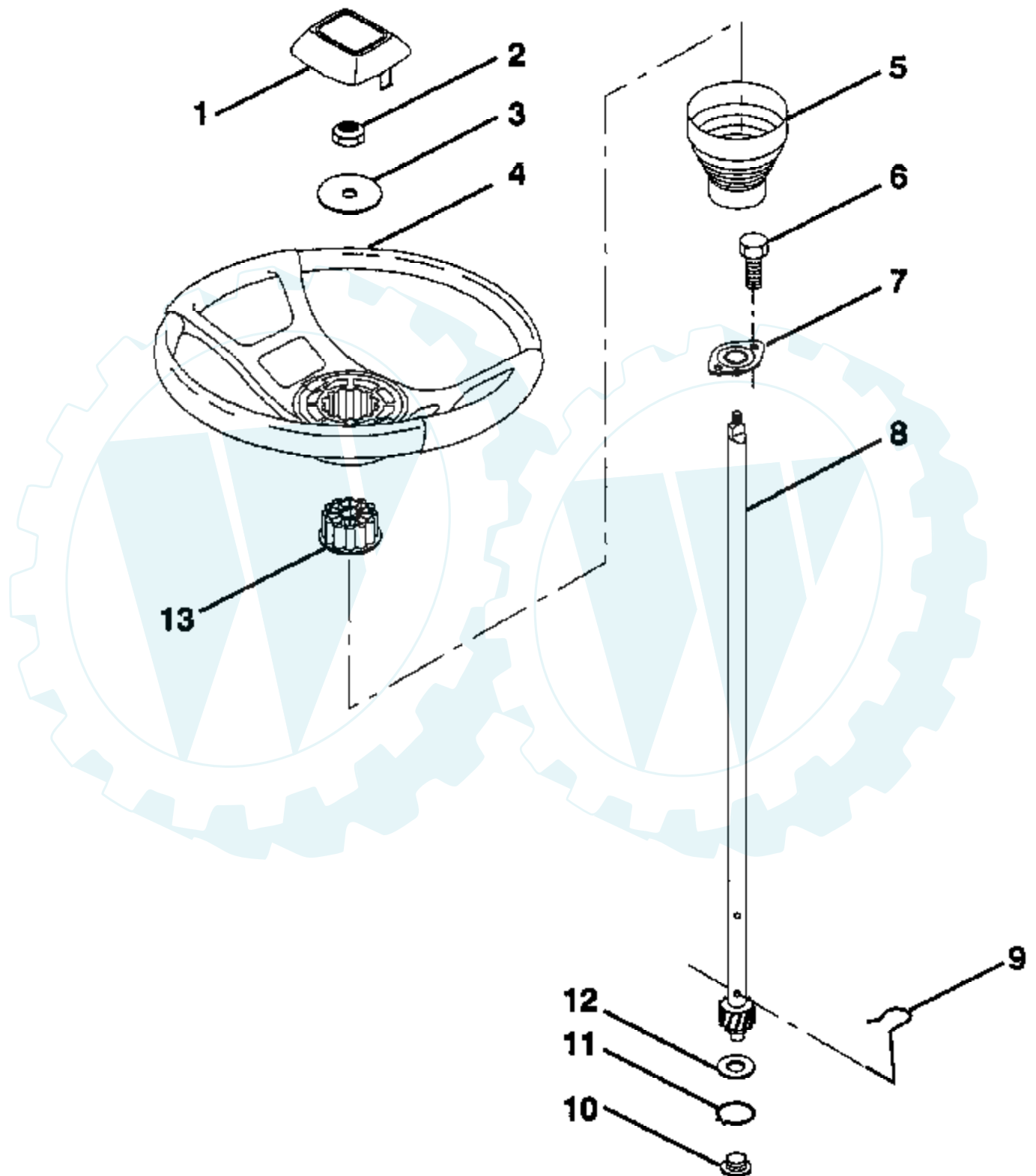
12 HP 38" TRACTOR - - MODEL NUMBER RL12R38A SECTOR GEAR / AXLE SUPPORT



Ref #	Part Number	Qty	Description
1	132566		DRAG LINK
2	74780828		"BOLT,HEX"
5	121926X		GEAR SECTOR
6	121927X		BUSHING
7	73030800		NUT
8	126472X		CLIP INSULATOR
9	73680800		NUT LTV
10	76020412		COTTER PIN
11	19131316		WASHER
12	126847X		BUSHING.DRAGLINK
13	74760512		BOLT
14	19111416		WASHER
15	72110606		BOLT
16	72140622		BOLT
17	121912X		"SUPT,FRT AXLE"
18	73220600		NUT.HEX.3/8-16UNC
19	73930600		LOCKNUT
20	73680600		SUB= 73690600
21	73680500		SUB= 73690500



12 HP 38" TRACTOR - - MODEL NUMBER RL12R38A STEERING WHEEL



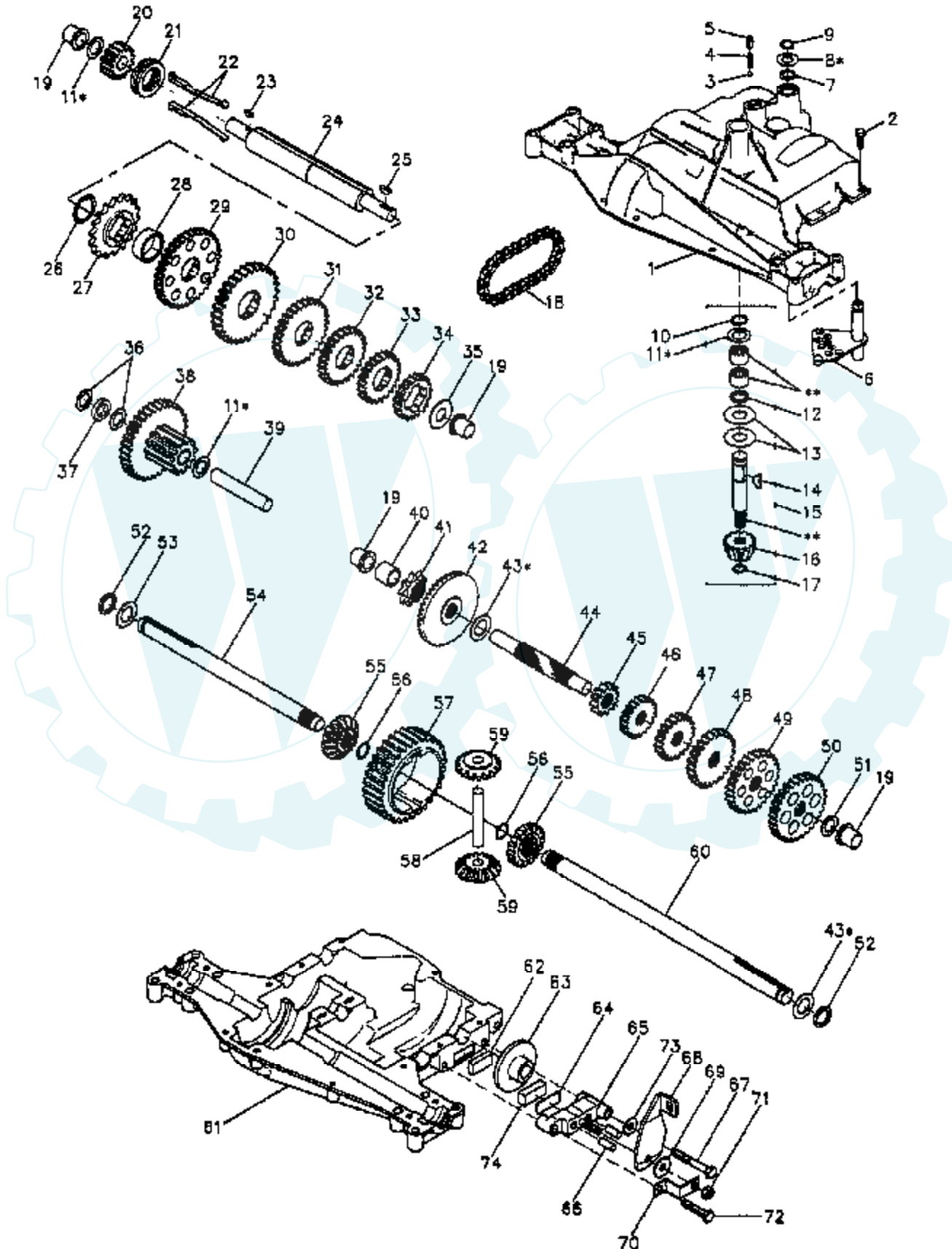
NOTE: All component dimensions given in U.S. Inches
1 inch = 25.4 mm

[Der Ersatzteilspezialist im Internet.](http://www.ersatzteil-service.de)

Ref #	Part Number	Qty	Description
1	133742		ST WHL INSERT CAP
2	7810H		GRIPCO NUT
3	19133808		WASHER T
4	133741		SUB= 150547
5	121897X		SLEEVE STEERING
6	17431008		SUB= 98000165
7	102803X		SUB= 918102803X
8	123651X		SUB= 148966
9	124210X		STEERING CLIP
10	123438X		BUSHING STEER LWR
11	12000045		RING
12	19211616		WASHER LT
13	104820X		ADAPTER-WHEEL LT



12 HP 38" TRACTOR - - MODEL NUMBER RL12R38A FOOTE / DANA TRANSAXLE - MODEL NUMBER 4360-18

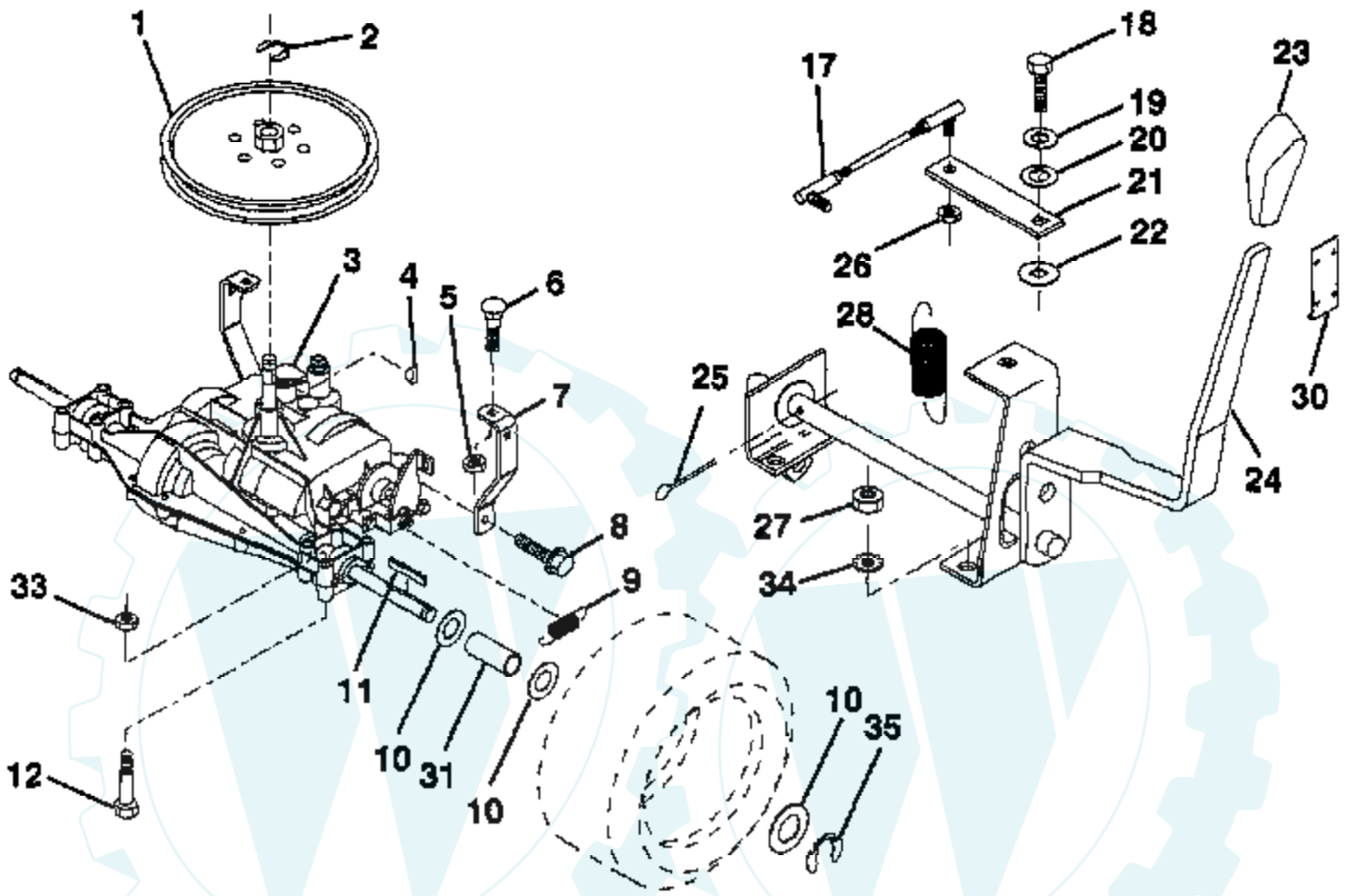


Ref #	Part Number	Qty	Description
1	120458X		SUB= 150228
2	2274J		SUB= 74760412
3	68003		"DETENT, BALL(68003)"
4	105904X		"SPRING, DETENT LT"
5	105905X		"SCREW, SET LT"
6	120460X		NLA
7	120461X		ORING T
8	120462X		WASHER T
	120463X		WASHER T
	120464X		WASHER T
	120465X		WASHER T
	120466		WASHER PLAIN
	83818		PLAIN WASHER
	120467X		WASHER T
9	2286J		RETAINING RING LT
10	2267J		RETAINING RING LT
11	3413J		WASHER
	2233J		WASHER 020
	2232J		WASHER 025
	2231J		WASHER 031
	2230J		WASHER 035
	2229J		WASHER 040
	2228J		WASHER 045
	2227J		WASHER 050
	2226J		WASHER 060
	105906X		"WASHER, PLAIN LT"
12	6725J		O-RING T
13	120415X		WASHER T
14	2257J		WOODRUFF KEY
15	110077X		IMPUT KIT T
16	110078X		PINION 14T T
17	105909X		"RING,RETAINING LT"
18	105910X		"CHAIN,24 PTCH LT"
19	105911X		BEARING.FLNG.5510
20	108976X		GEAR 14T LT
21	105913X		SUB= 138246
22	120468X		KEY T
23	2242J		KEY
24	120469X		SUB= 153655
25	2244J		WOODRUFF KEY
26	105916X		"RING,RETAINING LT"
27	120470X		SPROCKET 18T T
28	110070X		SPACER YT
29	108977X		KIT.GEAR.12/37TH
30	109254X		SUB= 144893
31	120405X		SUB= 124644X
32	108980X		GEAR 25T LT
33	120406X		GEAR SPUR 22 TT
34	108455X		SUB= 134796
35	105925X		"WASHER, PLAIN LT"
36	2232J		WASHER 025
37	108978X		SPACER
38	110079X		ASSM GEAR COMB
39	120471X		SHAFT IDLER T
40	120472X		SPACER T
41	105928X		SPROCKET 9T LT
42	110084X		SUB= 167148
43	108983X		WASHER LT

Ref #	Part Number	Qty	Description
	105930X		"WASHER, PLAIN LT"
	105931X		"WASHER, PLAIN LT"
	105932X		"WASHER, PLAIN LT"
	3417J		WASHER
	106097X		"WASHER, PLAIN LT"
	2264J		WASHER 031
	106098X		"WASHER, PLAIN LT"
	2265J		WASHER 040
	106586X		WASHER PLAIN
	106587X		"WASHER, PLAIN LT"
	106588X		"WASHER, PLAIN LT"
	2263J		WASHER 062
44	120473X		SHAFT T
45	105933X		SUB= 108977X
46	106151X		SUB= 144893
47	120407X		SUB= 124641X
48	106589X		"GEAR, SPUR 25T LT"
49	120408X		GEAR 28T T
50	105937X		"GEAR, SPUR 31T LT"
51	2226J		WASHER 060
52	2272J		SUB= 134401
53	2263J		WASHER 062
54	123907X		SUB= 125595X
55	10081X		GEAR MITER
56	105941X		"RING,RETAINING LT"
57	110071X		SUB= 120478X
58	120952X		SHAFT T
59	110082X		GEAR 1ST T
60	123908X		SUB= 125596X
61	120476X		SUB= 134798
62	120961X		PUCK T
63	7294J		BRAKE DISC. T
64	108989X		SPACER LT
65	120953X		SUB= 918120953X
66	120954X		PIN T
67	120955X		SCREW T
68	108992X		LEVER ACTUATOR
69	108996X		WASHER LT
70	120956X		NLA
71	73810500		NUT.LOCK.5/16-24
72	106596X		"SCREW, TAPPING LT"
73	120993X		WASHER T
74	120951X		PUCK T
75	120416X		SUB= 126976X

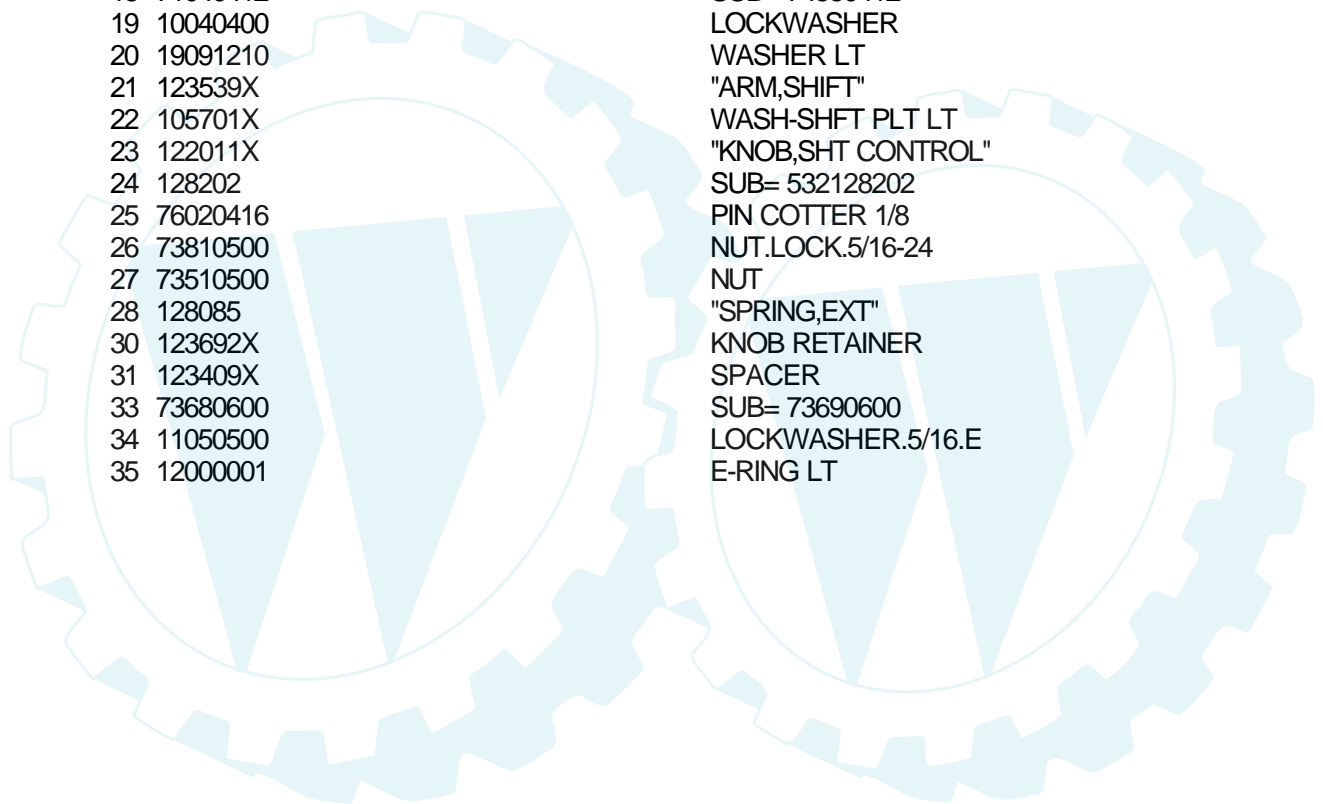
12 HP 38" TRACTOR - - MODEL NUMBER RL12R38A

TRANSAXLE



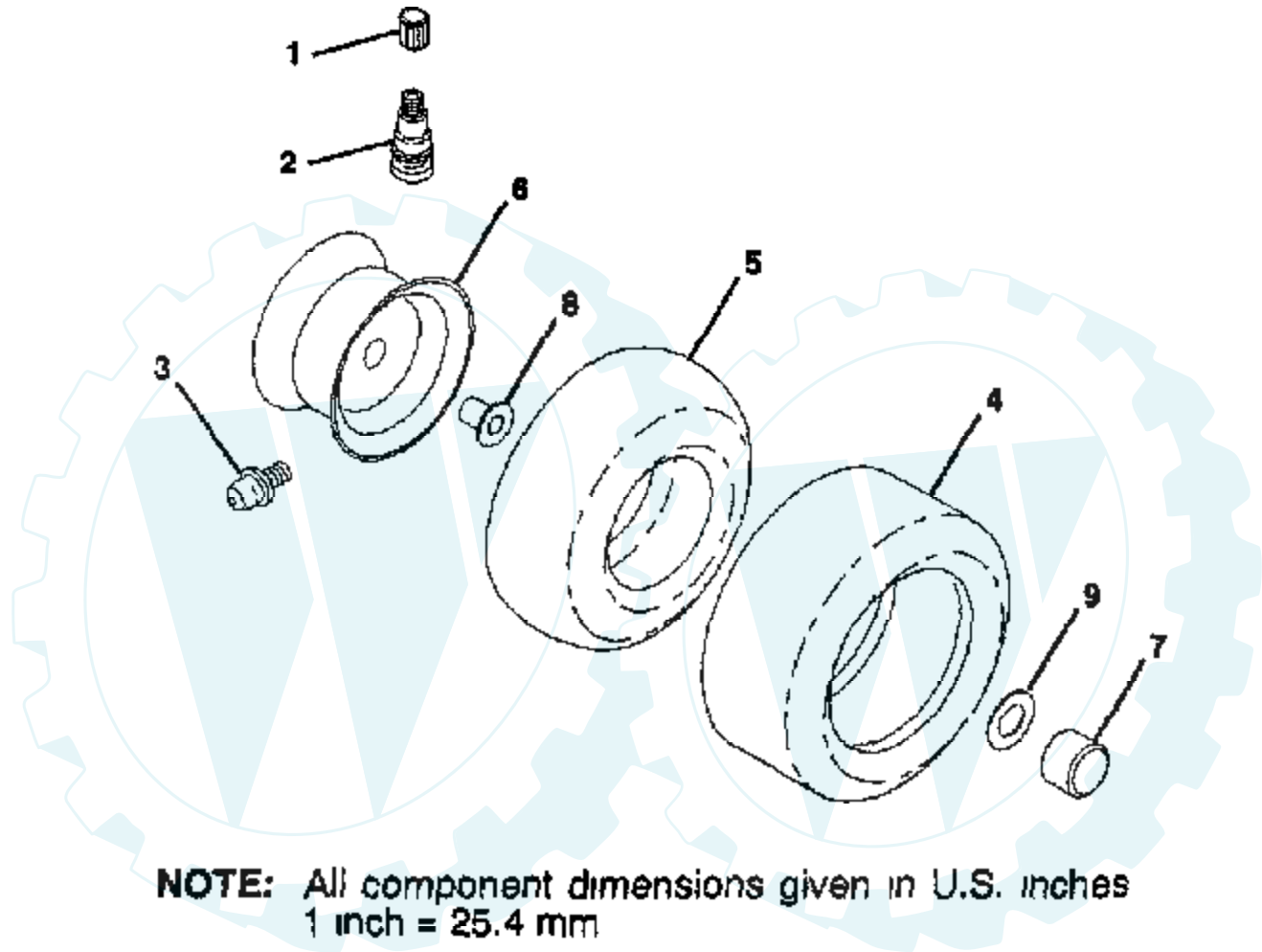
NOTE: All component dimensions given in U.S. inches
1 inch = 25.4 mm

Ref #	Part Number	Qty	Description
1	123385X		PULLEY
2	12000028		SUB= 2267J
3	123655X		SUB= 137366
4	2228M		SUB= 2228M1
5	73680500		SUB= 73690500
6	72140506		BOLT
7	123378X		"STRAP,TORQUE"
8	17490512		SCREW
9	110422X		SUB= 146682
10	121749X		WASHER
11	123583X		SQUARE KEY
12	74760644		BOLT
17	123632X		"LINK,SHIFT"
18	71040412		SUB= 74550412
19	10040400		LOCKWASHER
20	19091210		WASHER LT
21	123539X		"ARM,SHIFT"
22	105701X		WASH-SHFT PLT LT
23	122011X		"KNOB,SHT CONTROL"
24	128202		SUB= 532128202
25	76020416		PIN COTTER 1/8
26	73810500		NUT.LOCK.5/16-24
27	73510500		NUT
28	128085		"SPRING,EXT"
30	123692X		KNOB RETAINER
31	123409X		SPACER
33	73680600		SUB= 73690600
34	11050500		LOCKWASHER.5/16.E
35	12000001		E-RING LT



12 HP 38" TRACTOR - - MODEL NUMBER RL12R38A

WHEELS & TIRES



Ref #	Part Number	Qty	Description
1	59192		VALVE CAP
2	65139		VALVE STEM LT
3	278H		FITTING LT
4	132696		SUB= 532132696
	132703		SUB= 532132703
5	59904		TUBE.5.3/4.5/6
	8134H		TUBE.16X6.5/7.5-8
6	122394X311		SUB= 137237X427
	123412X311		SUB= 123412X427
7	104757X		HUB CAP
8	9040H		"FLANGE, BEARING"
9	121748X		WASHER

