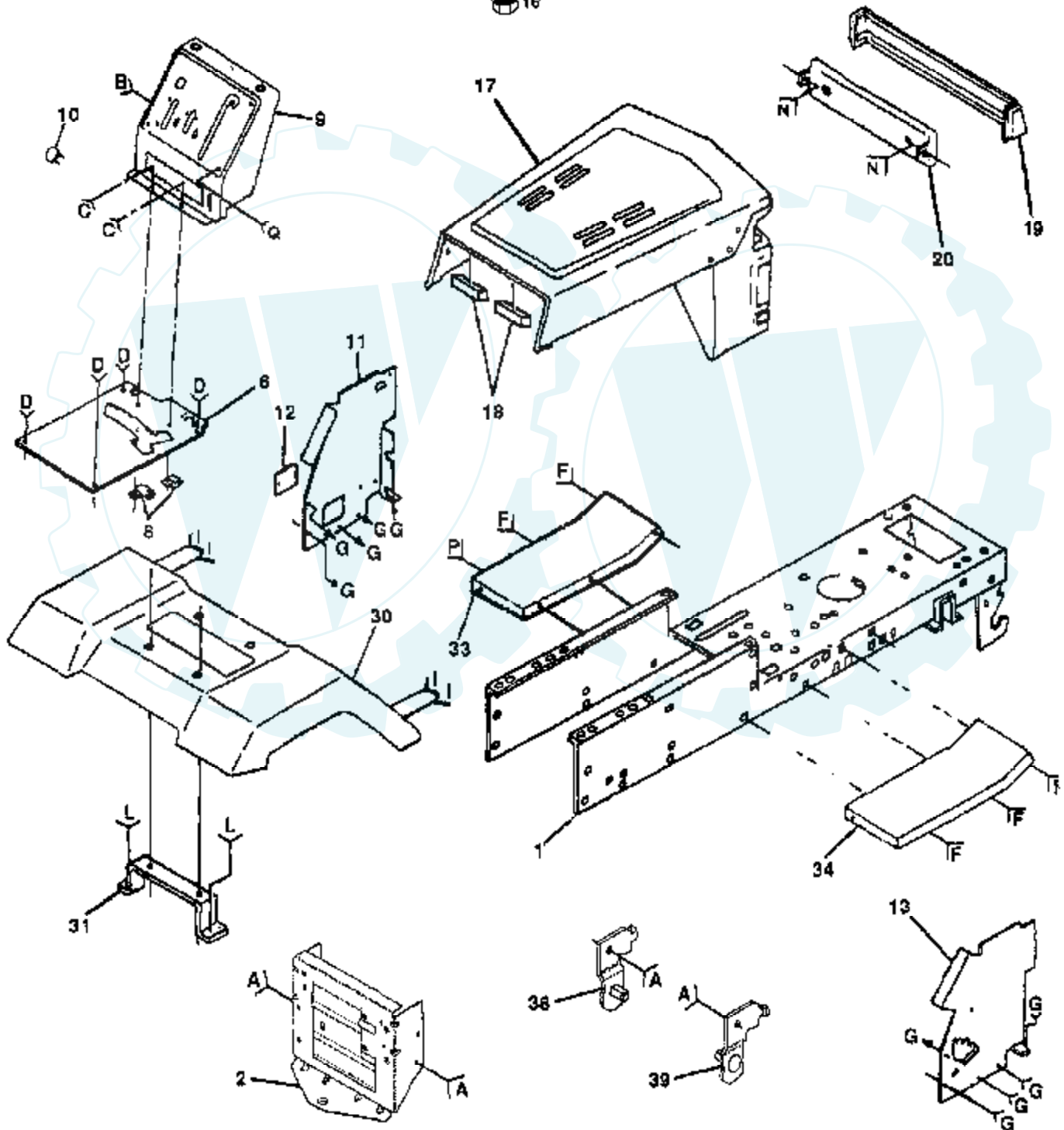
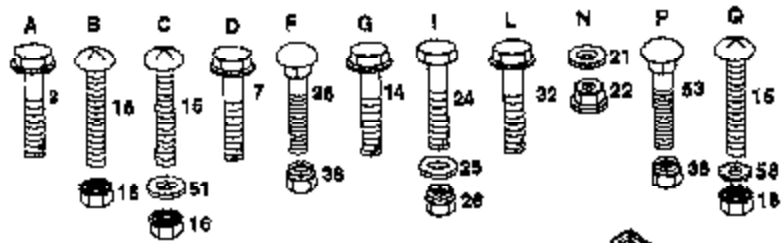


12 HP 38" TRACTOR - - MODEL NUMBER RL12N38C

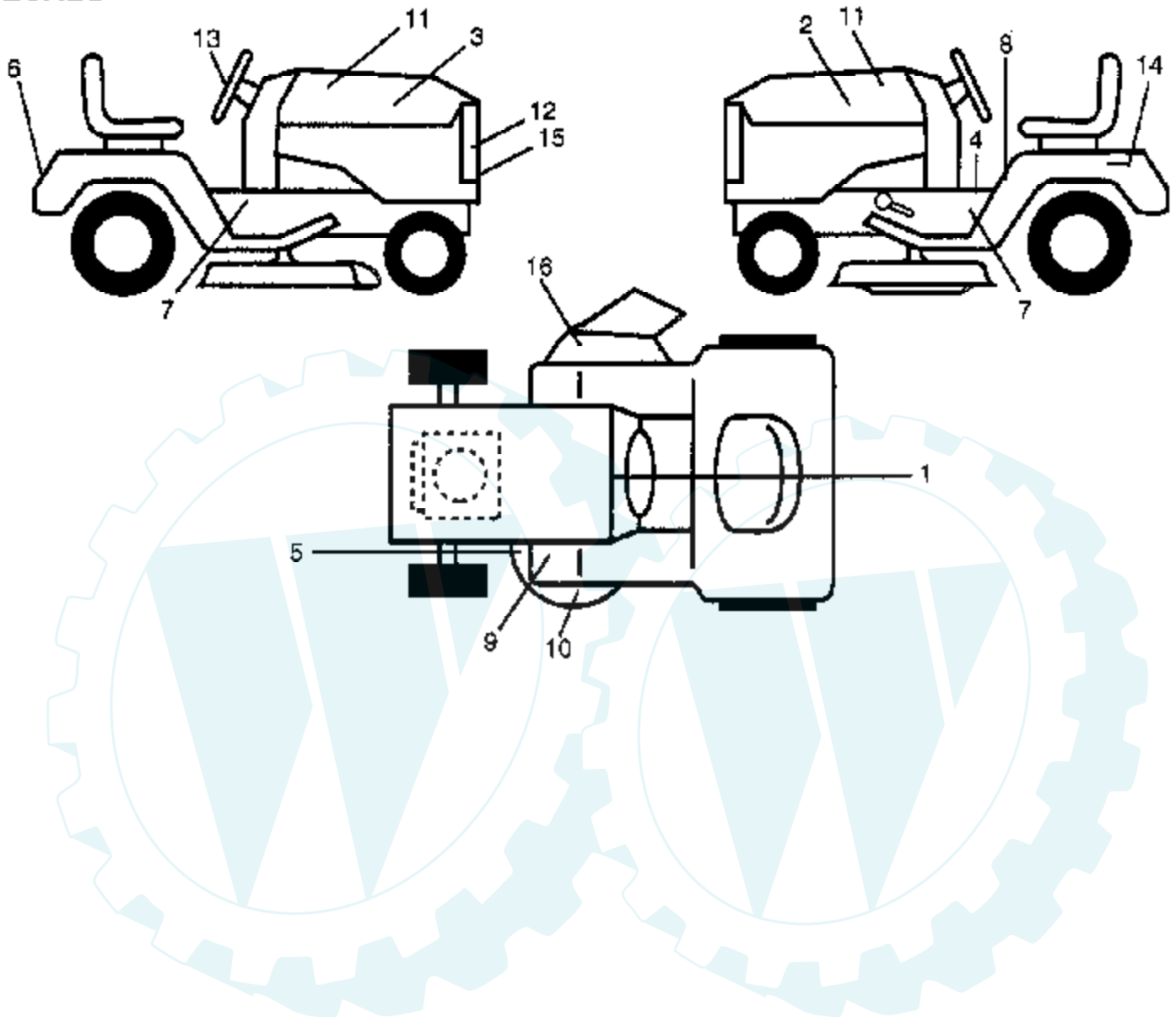
CHASSIS AND ENCLOSURES



Ref #	Part Number	Qty	Description
1	140341		SUB= 145501
2	140356		SUB= 145009
3	17490612		SCREW
6	140290X015		SUB= 145208X015
7	17490612		SCREW
8	2751R		CLIP T
9	140637X011		DASH SILKSCRN 1
10	5479J		PLUG BUTTON T
11	122795X		PANEL DASH LH
12	121794X		COVER ACCESS
13	124031X		SUB= 155934X010
14	17490608		SCREW LT
15	74180512		SCREW
16	73510500		NUT
17	133956X419		HOOD/GRILL ASM
18	126938X		SUB= 532126938
19	133805		SUB= 133954
20	132257		SUB= 918132257
21	19091216		WASHER PM
22	108067X		PAL NUT LT
24	74780616		BOLT
25	19131312		WASHER
26	73800600		NUT
30	109872X419		FENDER
31	136619		BRKT FENDER
32	17490612		SCREW
33	105476X419		FOOTREST LH
34	105475X419		FOOTREST
35	72110606		BOLT
36	73800600		NUT
38	139886		BRACKET ASM LH
39	139887		BRACKET ASM RH
51	19131216		WASHER
53	72140608		SUB= 72110608
58	11050600		LOCKWASHER

12 HP 38" TRACTOR - - MODEL NUMBER RL12N38C

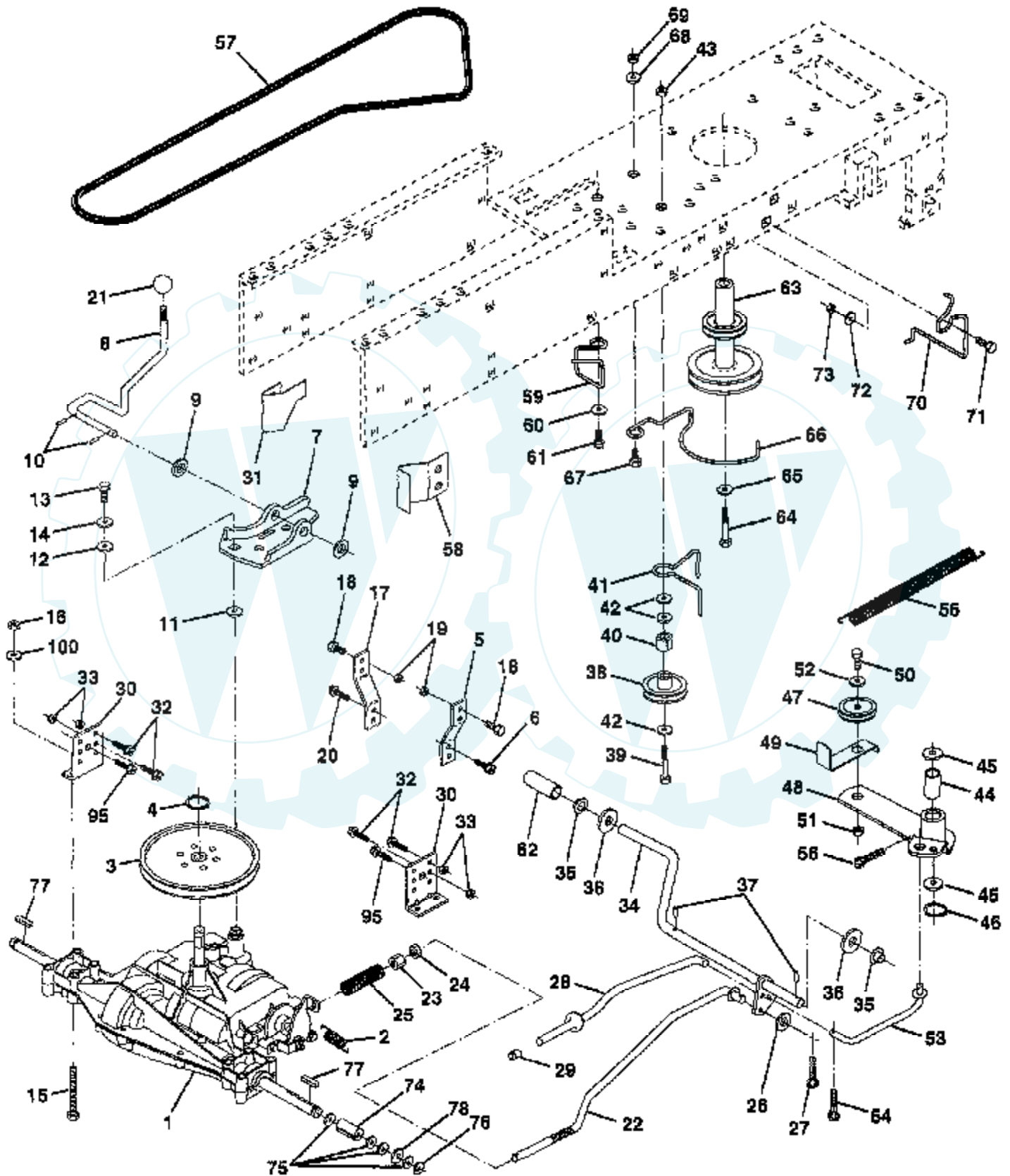
DECALS



Ref #	Part Number	Qty	Description
1	138956		DECAL.DASH.INSTR.
2	141746		DECAL HOOD LH RLY
3	141745		DECAL HOOD RH RLY
4	140837		DECAL BRAK PARK
5	136832		DECAL
6	132628		FENDER DECAL
7	127900		DECAL CHASSIS SPEED DECK
8	133795		DECAL CAUTION
9	101892X		DECAL T
10	135013		NLA
11	138610		DECAL.HOOD.INS.
12	132627		GRILL DECAL
13	127075		"DECAL,STR WHL"
14	121549X		DECAL
15	129823		NLA
16	137259		"DECAL, WARNING"
	138311		DECAL HANDLE LIFT
	142806		MANUAL.O.GEN.E/F
	143606		MANUAL.P.RL12N38C
	C38		GRASS CATCHER
	CH12		TIRE CHAINS
	BD20		42" SNOW BLOWER
	LC05		WHEEL WTS.
	SB20		40" SNOW THROWER
	MP42		SUB= MP42A

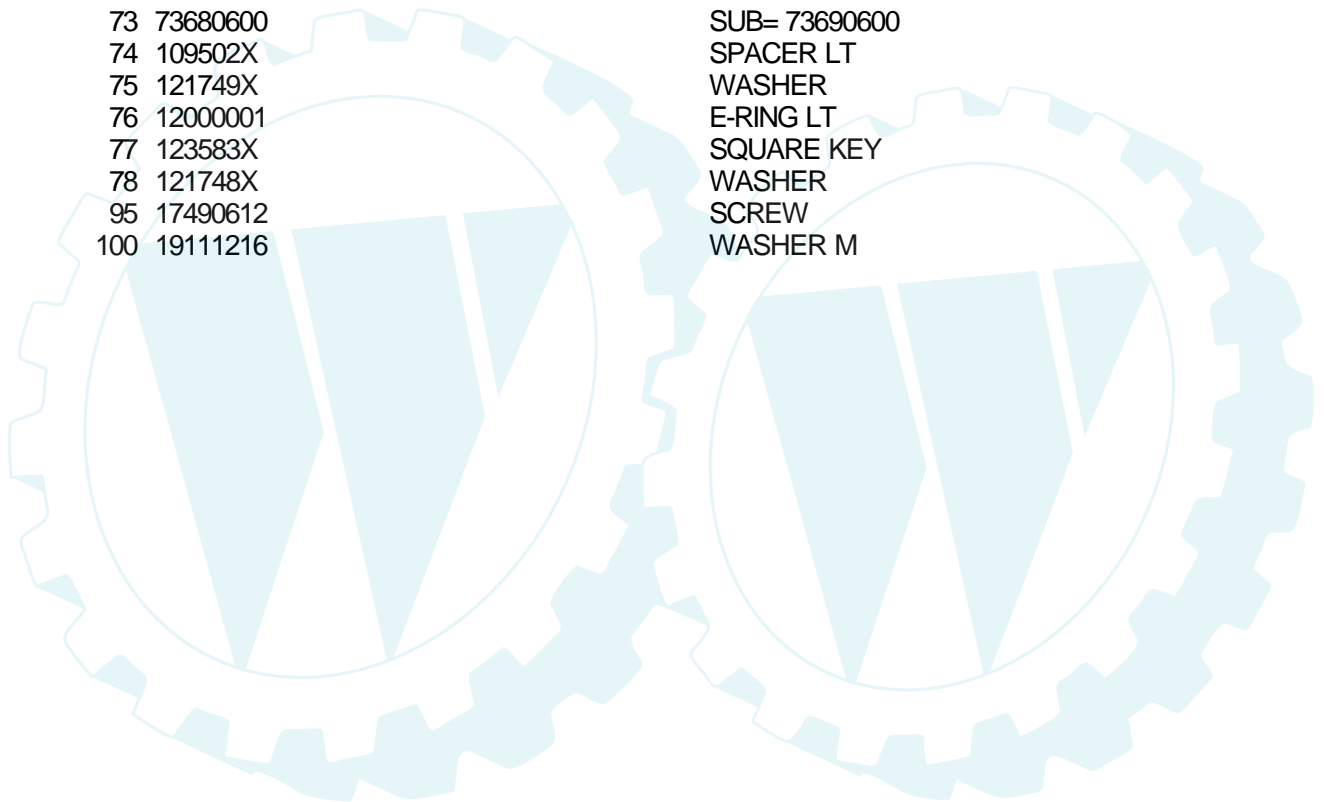
12 HP 38" TRACTOR - - MODEL NUMBER RL12N38C

DRIVE



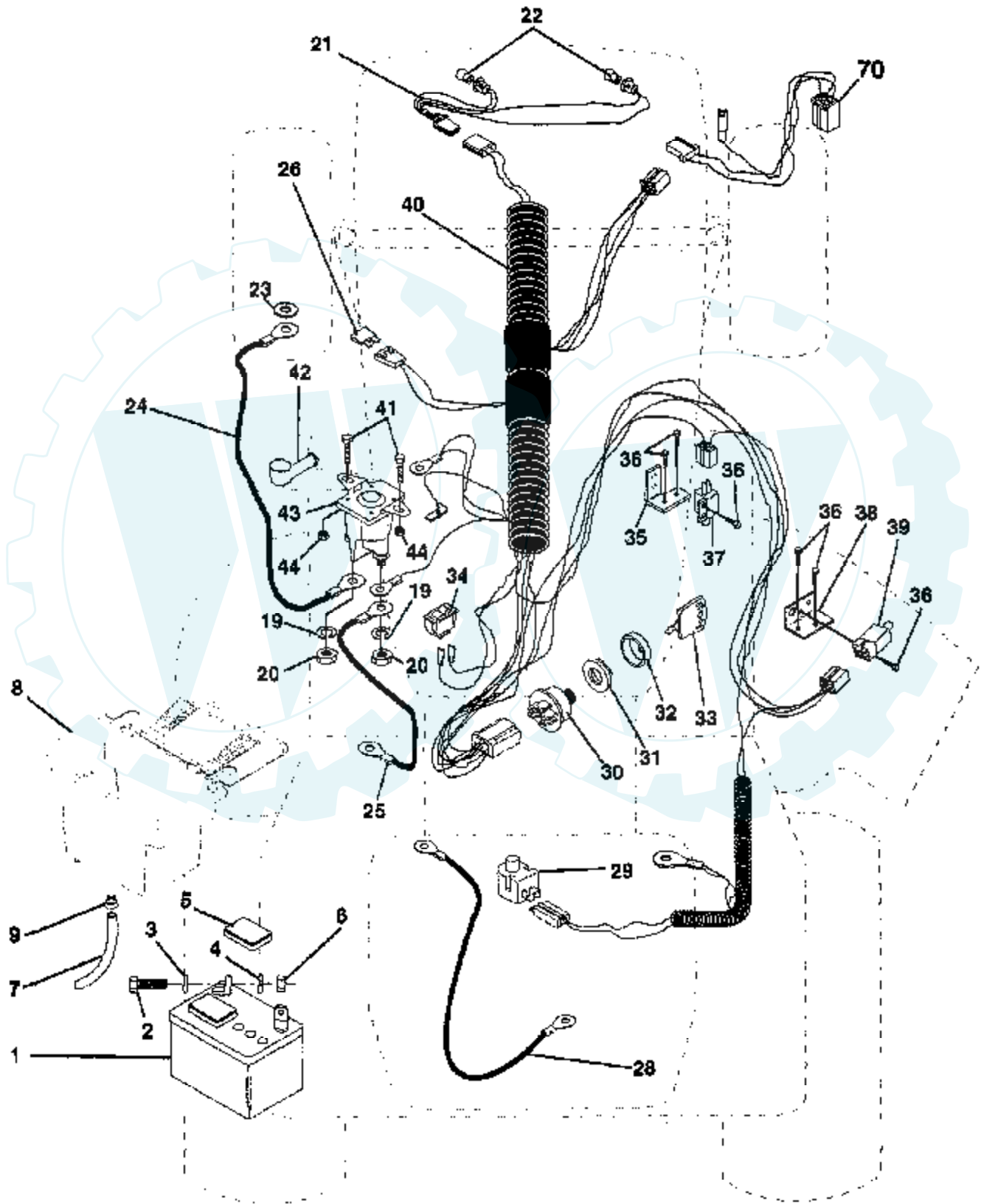
Ref #	Part Number	Qty	Description
1	142602		SUB= 160851
2	110422X		SUB= 146682
3	123666X		PULLEY TRANS
4	12000028		SUB= 2267J
5	121520X		STRAP TORQUE
6	17490512		SCREW
7	130802		SUB= 162240
8	131679		SHIFT ROD
9	19151216		WASHER
10	76020416		PIN COTTER 1/8
11	105701X		WASH-SHFT PLT LT
12	19091210		WASHER LT
13	71040412		SUB= 74550412
14	10040400		LOCKWASHER
15	74780544		BOLT HEX
16	73680500		SUB= 73690500
17	121520X		STRAP TORQUE
18	74780616		BOLT
19	73800600		NUT
20	17490512		SCREW
21	106933X		KNOB T (1/2-HOLE)
22	130804		BRAKE ROD
23	73800600		NUT
24	73350600		NUT
25	106888X		SPRING ROD LT
26	19131316		WASHER
27	76020412		COTTER PIN
28	140448		ROD PARK BRAKE
29	71673		PLUNGER CAP T
30	130807		TRANSAXLE MTG BKT
31	127275X		"KEEPER,BELT LH T"
32	74760512		BOLT
33	73800500		NUT
34	122424X		SUB= 149001
35	120183X		NYLON BEARING
36	19211616		WASHER LT
37	1572H		SUB= 2882J
38	123674X		PULLEY.IDLER.FLAT
39	74760644		BOLT
40	4470J		SPACER T
41	109070X		BELT KEEPER LT
42	19131312		WASHER
43	73800600		NUT
44	105706X		"LY, BEARING"
45	110812X		WASHER LT
46	12000039		KLIP RING
47	127783		SUB= 139245
48	123789X		ARM IDLER
49	123205X		RETAIN BELT
50	74760624		SUB= 74930624
51	73680600		SUB= 73690600
52	19131316		WASHER
53	105710X		"LINK, CLUTCH T"
54	76020412		COTTER PIN
55	105709X		"SPRING, RETURN LT"
56	76020412		COTTER PIN
57	130801		SUB= 138255
58	127274X		"KEEPER,BELT RH T"

Ref #	Part Number	Qty	Description
59	140312		KEEPER BELT CNTSP
60	19131312		WASHER
61	17490612		SCREW
62	8883R		PEDAL COVER T
63	140186		PULLEY.ENGINE
64	71170764		BOLT
65	10040700		LOCKWASHER
66	129921		KEEPER.BELT.ENG.L
67	74760616		BOLT
68	19131312		WASHER
69	73680600		SUB= 73690600
70	134683		KEEPER BELT ENG
71	74760616		BOLT
72	19132012		WASHER
73	73680600		SUB= 73690600
74	109502X		SPACER LT
75	121749X		WASHER
76	12000001		E-RING LT
77	123583X		SQUARE KEY
78	121748X		WASHER
95	17490612		SCREW
100	19111216		WASHER M



12 HP 38" TRACTOR -- MODEL NUMBER RL12N38C

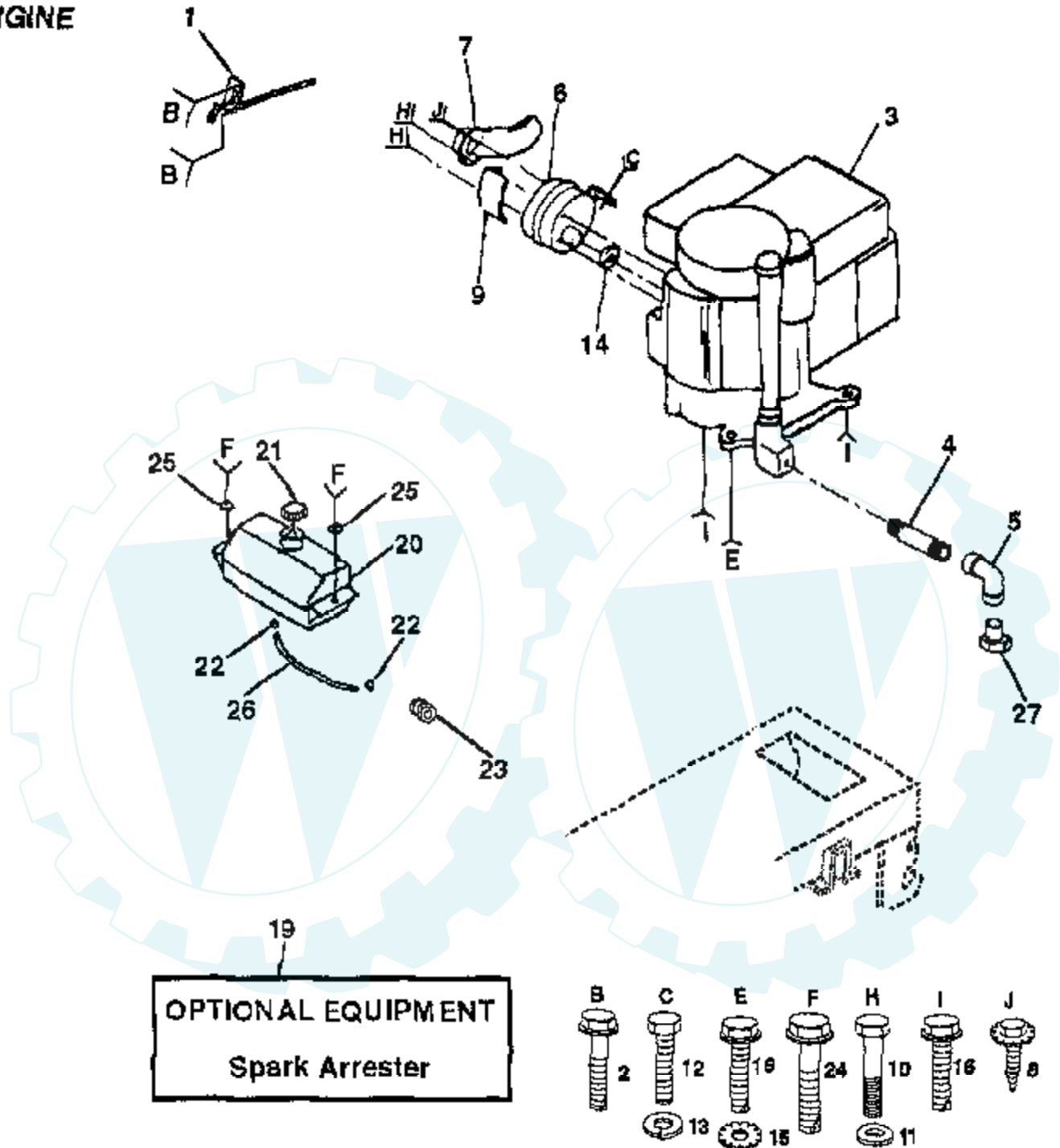
ELECTRICAL



Ref #	Part Number	Qty	Description
1	121265X		SUB= 123899X
2	74760412		BOLT LT
3	19091016		WASHER
4	10040400		LOCKWASHER
5	121264X		"CAP,BATTERY "
6	73220400		SUB= 50675
7	109238X		TUBE T
8	129965		SUB= 156417
9	109596X		HOSE CLAMP T
19	10090400		SUB= 10040400
20	73350400		NUT
21	136850		"HARNES,LIGHT SOC"
22	4152J		HEADLAMP BULB
23	11150400		LOCKWASHER
24	4799J		"CABLE T, BATTERY"
25	132202		SUB= 146147
26	108824X		FUSE HYT
28	4207J		CABLE T
29	121305X		SWITCH SEAT
30	140399		SUB= 163088
31	140400		SUB= 145774
32	141226		COVER KEY SWITCH
33	140401		KEY MLD GEN DELTA
34	110712X		SWITCH LT
35	108236X		BRACKET LT
36	17021008		SCREW
37	104445X		SWITCH-INTER. GT
38	140336		BRACKET SWITCH IN
39	109553X		SWITCH INTERLOCKT
40	140414		HARNES IGN DASH
41	71110408		BOLT HXHD FIN
42	131563		SUB= 154336
43	138406		SUB= 146154
44	73640400		NUT HXKEP 1/4X20
70	140413		HARNES ENG DUAL

12 HP 38" TRACTOR -- MODEL NUMBER RL12N38C

ENGINE



Ref #	Part Number	Qty	Description
1	132771		THROTTLE CONTROL
2	17720410		SCREW LT
3	282707		ENG B&S 10-12.5HP PWRBLT DC
4	13280324		PIPE NIPPLE
5	13200300		ELBOW
6	101273M		MUFFLER LTV
7	108767X		DEFLECTOR MUFFLER
8	17030808		SUB= 17030814
9	101159L		SHIELD HEAT LTV
10	74780556		"BOLT,HEX"
11	19111012		WASHER T
12	74780408		BOLT
13	10040400		LOCKWASHER
14	125593X		SUB= 272293
15	11050600		LOCKWASHER
16	17490620		SCREW
19	137180		SUB= 532137180
20	109202X		TANK.FUEL.LT.
21	140527		CAP ASM FUEL
22	123487X		HOSE CLAMP
23	124028X		SUB= 532124028
24	17490412		SCREW HEX CRT
25	19091416		WASHER
26	137040		LINE FUEL
27			CHECK WITH SUPPLIER

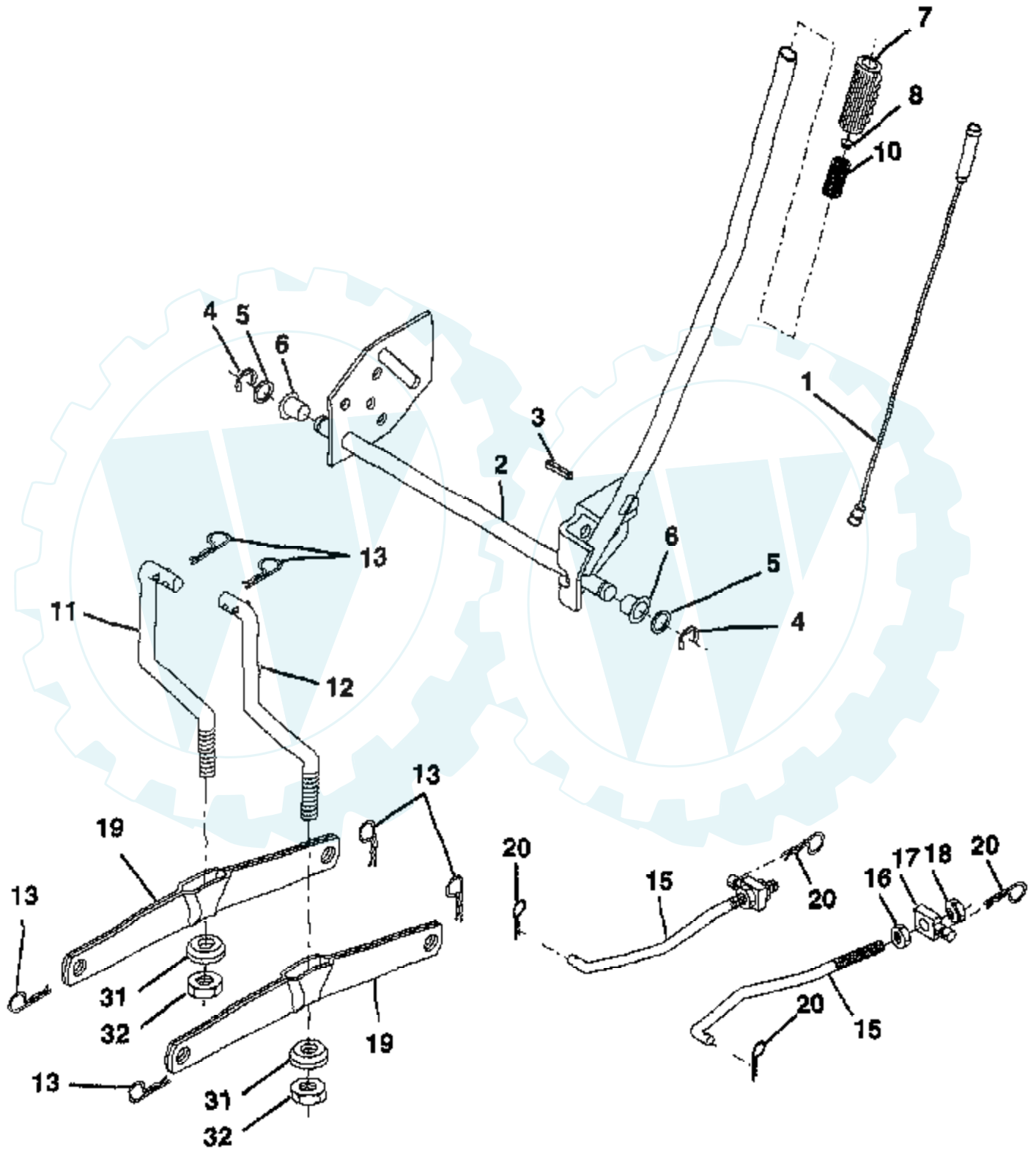
Ref #	Part Number	Qty	Description
1	142829		SUB= 145775
2	73800500		NUT
3	72140506		BOLT
4	7631J		RUNNER-LH M
5	138017		BRKT ASM SWAY BAR
6	4939M		SUB= 85902
7	130832		SUB= 130833
8	138440		BRKT DECK SW BAR
8A	132827		BOLT SHD 5/16-18
9	73800500		NUT
10	72140506		BOLT
11	140329		STRIPPER RND MWR
12	110485X		BEARING
13	128774		HSG ASM MANDREL
14	137645		SUB= 137646
15	129895		BEARING.BALL
16	134148		"BLADE.38""V.MULCH"
17	140296		WASHER.HARD.BLADE
18	10030600		SUB= 10040600
19	850857		BLADE BOLT
20	126520X		V BELT
21	128772		RUNNER RH
22	19111216		WASHER M
23	106736X		DEFLECTOR-SHLD T
24	106735X		ROD-HINGE T
25	137607		BRKT DEFLECTOR
26	105304X		CAP-SLEEVE LT
27	123713X		SPRING TORSION
28	19111016		WASHER
29	110452X		NUT PUSH M
30	138776		SUB= 157722
31	129963		WASHER
32	129206		SUB= 153532
33	137226		NLA
34	133840		IDLER ARM ASSY
35	131494		FLAT IDLER PULLEY
36	122052X		SPACER RETAINER
37	19131612		WASHER GT
38	73800600		NUT
39	74600636		BOLT
40	19131612		WASHER GT
41	131289		BRAKE ROD LH
42	130840		BRAKE ASM
43	17490512		SCREW
44	131288		BRAKE ROD RH
45	72110614		BOLT
46	76020312		SUB= 3145
47	133551		PIVOT ROD
48	133504		CLUTCH ROD SECOND
49	142427		ROD CLUTCH 38/42
50	4497H		RETAINER M
51	131870		RETURN SPRING
52	127498		BUSHING
53	140334		SUB= 154810
54	127847		CLUTCH ARM SECOND
55	121748X		WASHER
56	12000029		RING
57	128903		SHOULDER BOLT

Ref #	Part Number	Qty	Description
58	127845		SPRING KEEPER
59	128759		SUB= 918128759
60	133502		RETAINER SPACER
61	133503		IDLER ARM STIFF
62	106932X		KNOB T(3/8 HOLE)
76	73350600		NUT
77	142028		TRUNION ADJ
78	142587		UPSTOP DECK FT 38
	142820		DECK SER 38 TPATH
	130794		MANDREL ASM

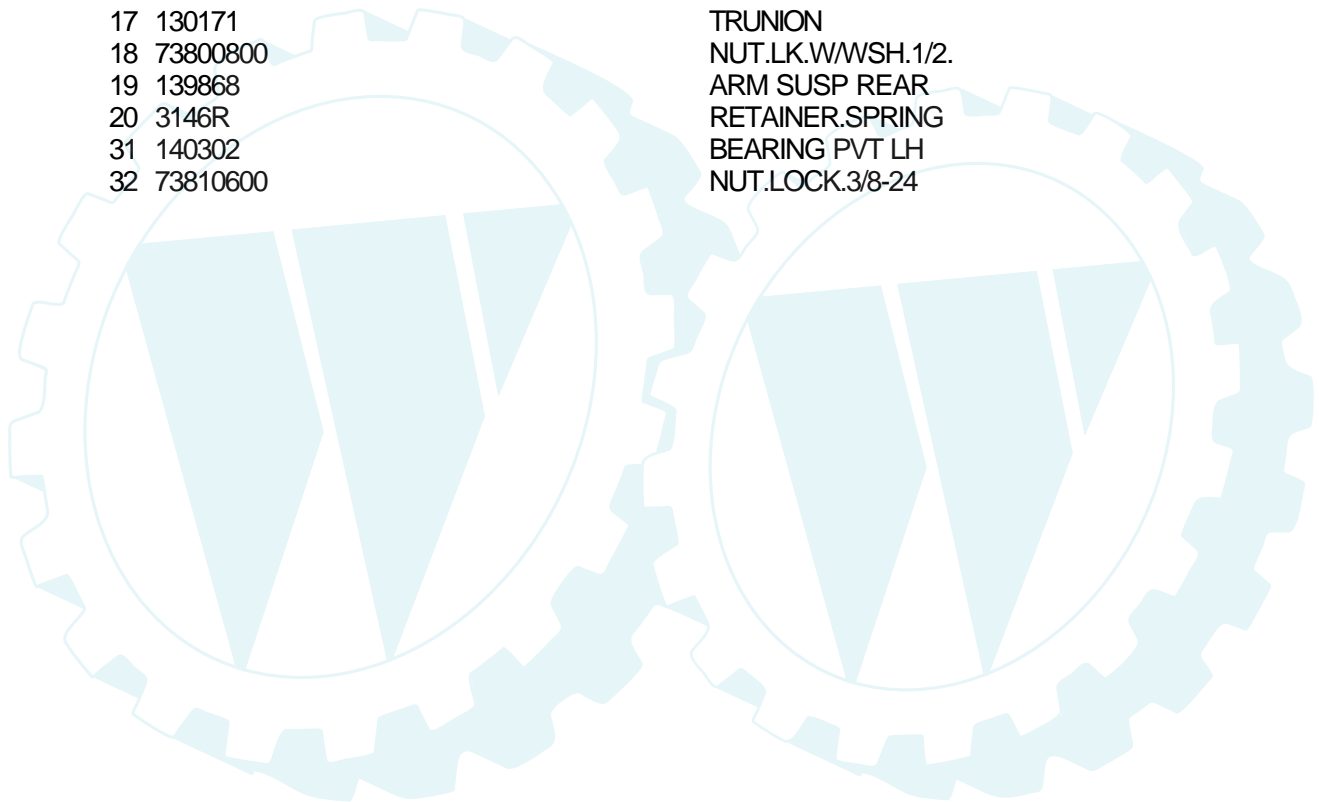


12 HP 38" TRACTOR - - MODEL NUMBER RL12N38C

MOWER LIFT

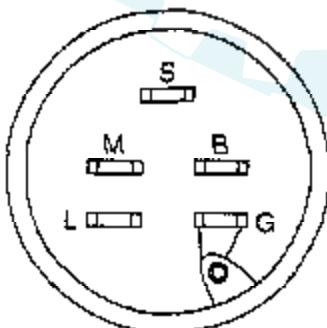
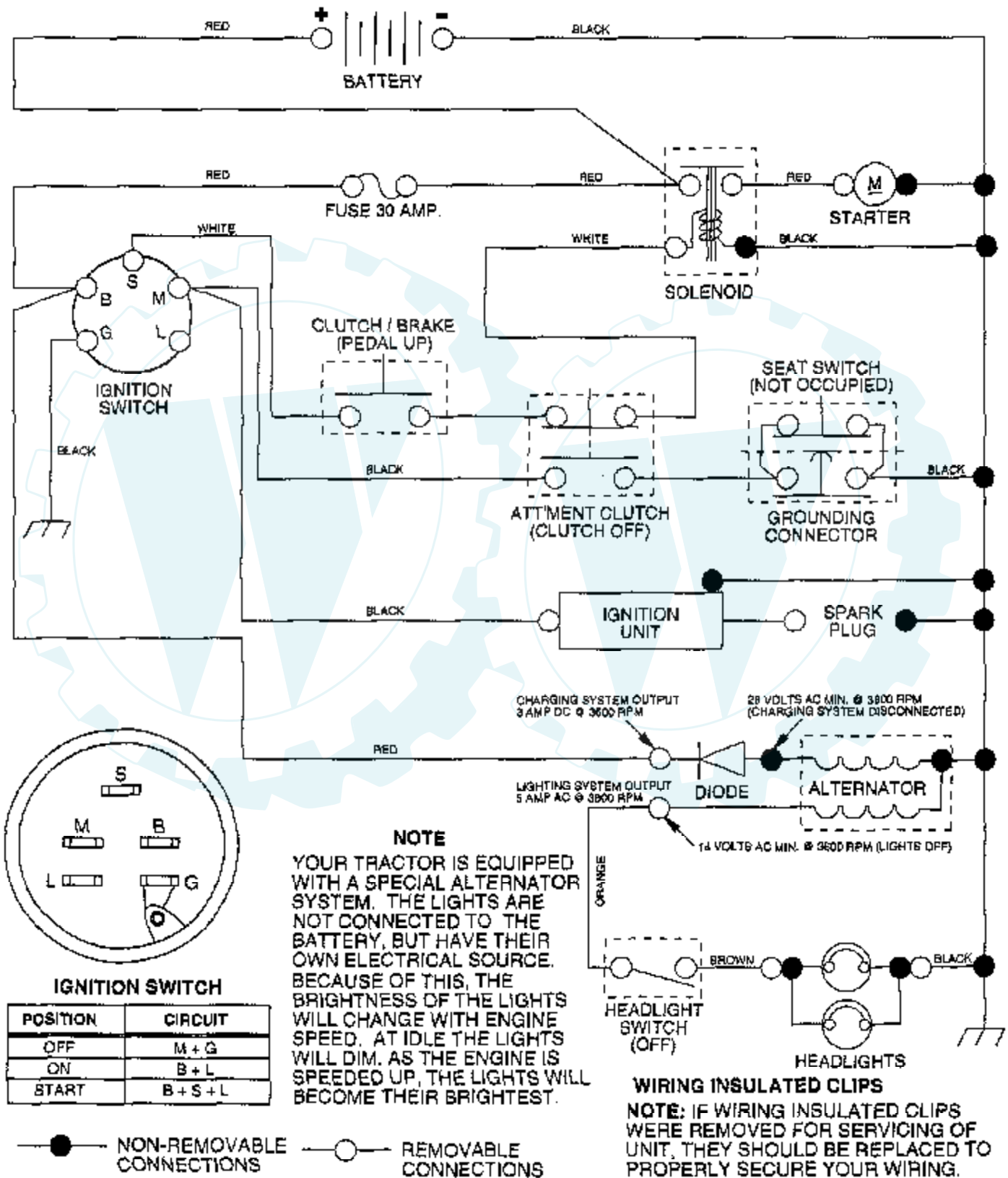


Ref #	Part Number	Qty	Description
1	136973		WIRE ASM
2	122507X		SUB= 145117
3	105767X		PIN-GROOVE LT
4	12000002		SUB= 2225J
5	19211621		WASHER
6	120183X		NYLON BEARING
7	109413X		GRIP
8	124526X		SUB= 125925X
10	122512X		SUB= 532122512
11	139865		SUB= 918139865
12	139866		SUB= 151140
13	4939M		SUB= 85902
15	127218		LINK.FRONT
16	73350800		NUT
17	130171		TRUNION
18	73800800		NUT.LK.W/WSH.1/2.
19	139868		ARM SUSP REAR
20	3146R		RETAINER.SPRING
31	140302		BEARING PVT LH
32	73810600		NUT.LOCK.3/8-24



12 HP 38" TRACTOR - - MODEL NUMBER RL12N38C

SCHEMATIC



IGNITION SWITCH

POSITION	CIRCUIT
OFF	M + G
ON	B + L
START	B + S + L

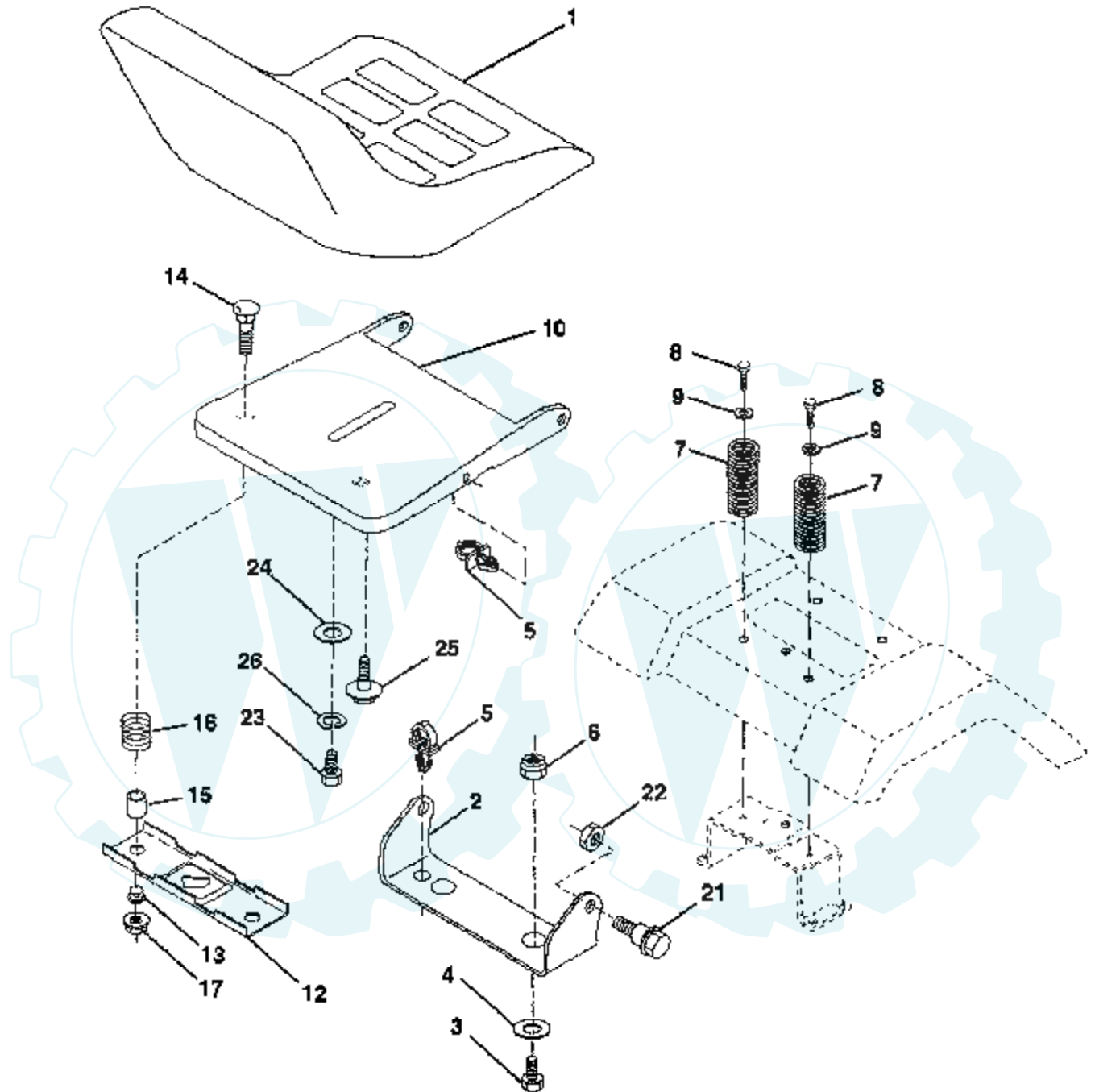
Ref #	Part Number	Qty	Description
-------	-------------	-----	-------------

REFER TO IMAGE

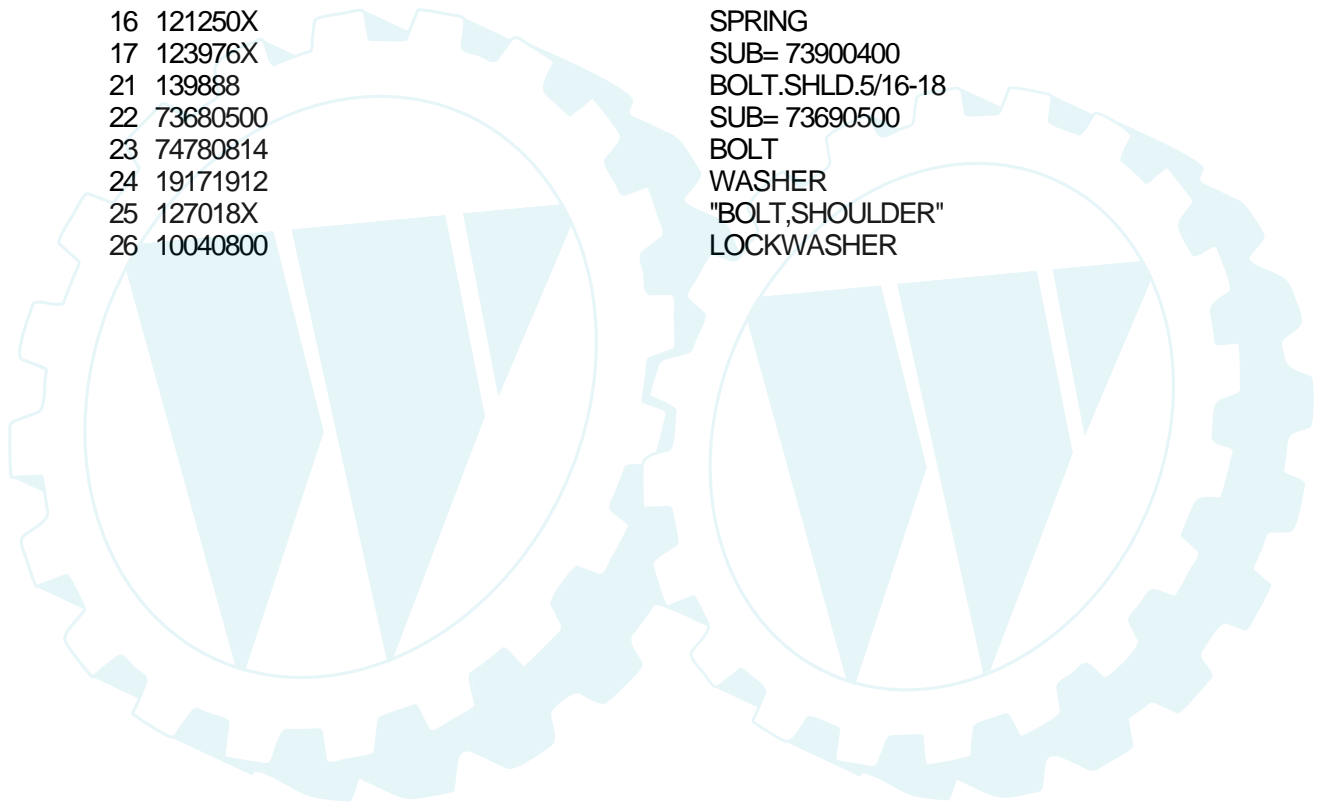


12 HP 38" TRACTOR - - MODEL NUMBER RL12N38C

SEAT ASSEMBLY

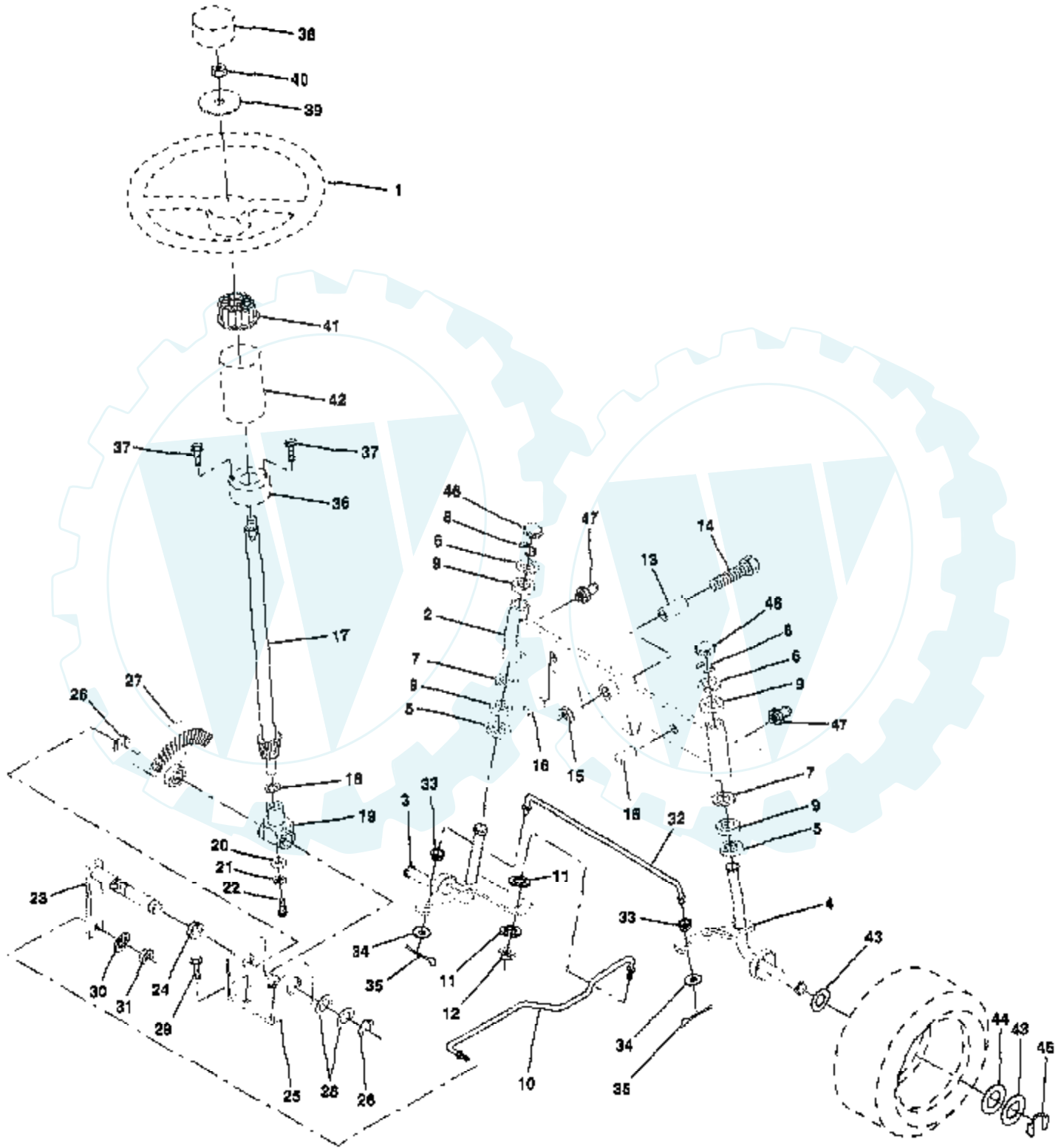


Ref #	Part Number	Qty	Description
1	127427		SUB= 140119
2	140551		BRACKET PVT SEAT
3	74760616		BOLT
4	19131610		WASHER PM
5	140407		CLIP PUSH - IN
6	73800600		NUT
7	124181X		SPRING COMPRESSIO
8	17490616		SCREW GTV
9	19131614		WASHER
10	140552		SUB= 155925
12	121246X		BRKT SWITCH
13	121248X		BUSHING
14	72050411		SUB= 872050411
15	134300		SPLIT SPACER
16	121250X		SPRING
17	123976X		SUB= 73900400
21	139888		BOLT.SHLD.5/16-18
22	73680500		SUB= 73690500
23	74780814		BOLT
24	19171912		WASHER
25	127018X		"BOLT,SHOULDER"
26	10040800		LOCKWASHER



12 HP 38" TRACTOR - - MODEL NUMBER RL12N38C

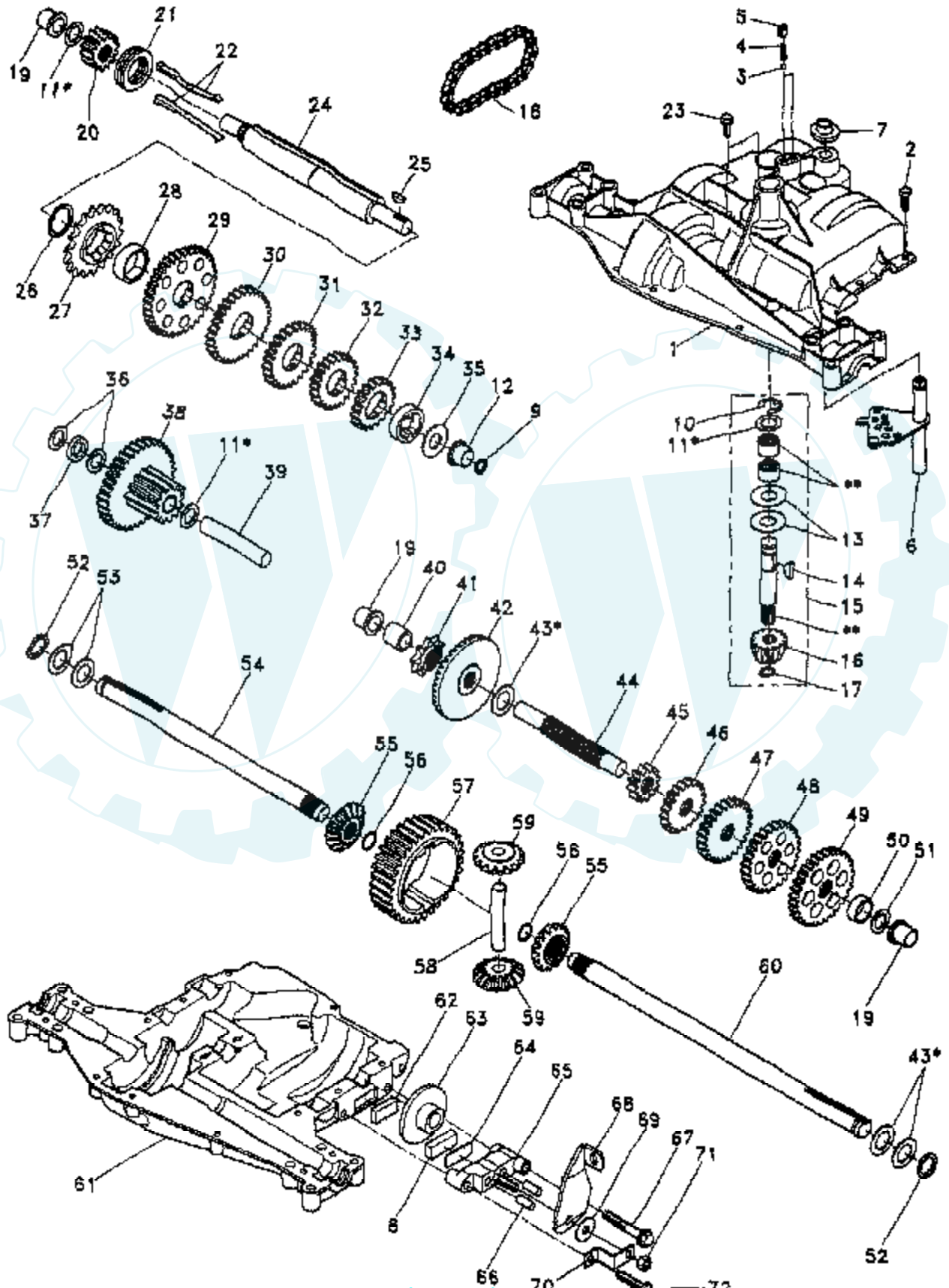
STEERING AND FRONT AXLE



Ref #	Part Number	Qty	Description
1	133741		SUB= 150547
2	142033		AXLE ASM FRONT
3	135227		SPINDLE LH
4	135228		SPINDLE RH
5	6266H		WASHER .T
6	121748X		WASHER
7	19272016		WASHER
8	12000029		RING
9	3366R		COL. SRTG. BEAR.
10	130468		SUB= 532130468
11	10040600		LOCKWASHER
12	73610600		SUB= 7810H
13	110438X		BEARING
14	74011056		BOLT HEX 5/8-11
15	73901000		"NUT-LOC,FLANGE LT"
16	132624		AXLE PIN
17	132614		SHAFT ASM
18	57079		THRUST WASHER
19	124035X		SUPPORT.SHAFT
20	126684X		SUB= 532126684
21	10040400		LOCKWASHER
22	71070410		"SCREW,SPECIAL"
23	127501		SUB= 918127501
24	109816X		NYLINER T
25	124036X		"BRKT,STEERING"
26	12000029		RING
27	136874		GEAR SECTOR
28	6266H		WASHER .T
29	17490612		SCREW
30	10040600		LOCKWASHER
31	73610600		SUB= 7810H
32	130465		TIE ROD
33	126847X		BUSHING.DRAGLINK
34	19131416		WASHER
35	76020412		COTTER PIN
36	132196		SUB= 155106
37	17431008		SUB= 98000165
38	133742		ST WHL INSERT CAP
39	19133808		WASHER T
40	7810H		GRIPCO NUT
41	104820X		ADAPTER-WHEEL LT
42	124418X		"TUBE, STR SHAFT"
43	121749X		WASHER
44	121748X		WASHER
45	12000029		RING
46	121232X		CAP
47	6855M		ZERK M

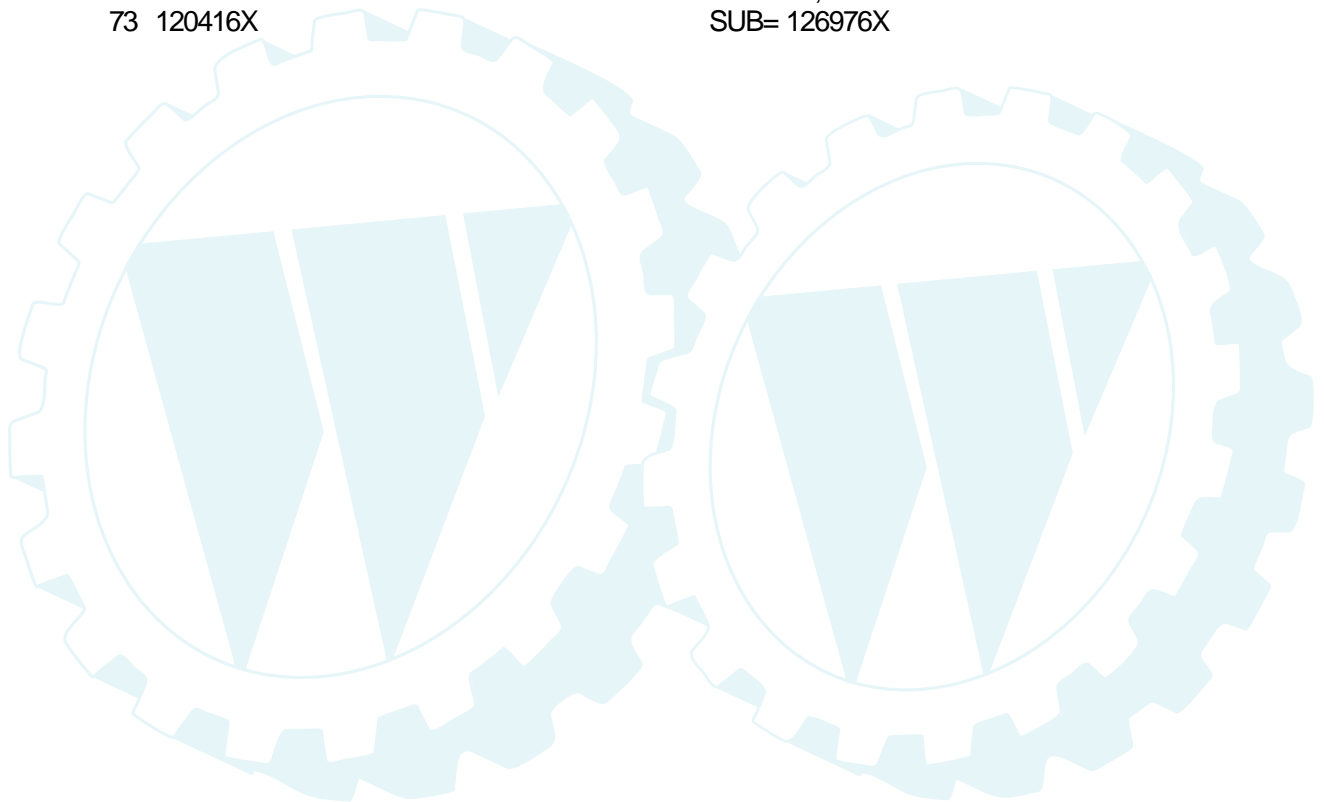
12 HP 38" TRACTOR - - MODEL NUMBER RL12N38C TRANSAXLE DANA - - MODEL NUMBER 4360-78

TRANSAXLE

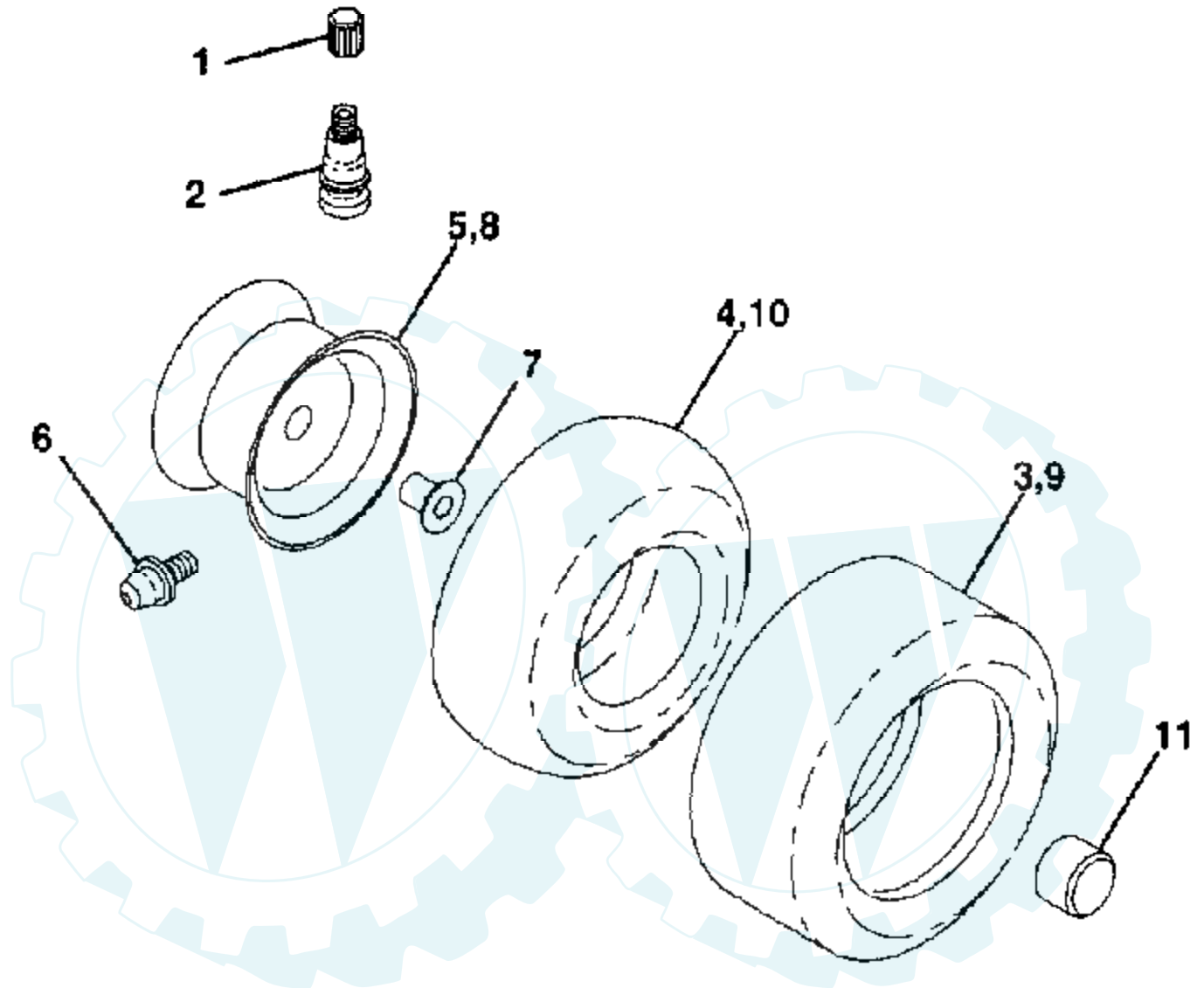


Ref #	Part Number	Qty	Description
1	142671		HOUSING UPPER TRN
2	2274J		SUB= 74760412
3	134400		SUB= 68003
4	105904X		"SPRING, DETENT LT"
5	105905X		"SCREW, SET LT"
6	138235		KIT SHIFTER ASM
7	134399		SHIFTER BOOT
8	120951X		PUCK T
9	143045		SEAL OIL DANA5416
10	142672		SUB= 2225J
11	134793		ASM KIT SHIM 4689
12	143051		SUB= 148268
13	120415X		WASHER T
14	142674		KEY WOODRUFF-DANA
15	138234		AS KIT INPUT SHFT
16	110078X		PINION 14T T
17	105909X		"RING,RETAINING LT"
18	105910X		"CHAIN,24 PTCH LT"
19	105911X		BEARING.FLNG.5510
20	142675		GEAR SPUR 14 TTH
21	138246		COLLAR CLUTCH
22	138236		ASM KIT CLTCH KEY
23	134791		SCREW TAP W/SEAL
24	142676		SHAFT INTERM DANA
25	2244J		WOODRUFF KEY
26	105916X		"RING,RETAINING LT"
27	120470X		SPROCKET 18T T
28	110070X		SPACER YT
29	142677		GEAR SPUR 37 TTH
30	120405X		SUB= 124644X
31	108980X		GEAR 25T LT
32	120406X		GEAR SPUR 22 TT
33	134796		SPUR GEAR 19T
34	134797		SPACER
35	105925X		"WASHER, PLAIN LT"
36	2232J		WASHER 025
37	108978X		SPACER
38	110079X		ASSM GEAR COMB
39	124639X		SHAFT IDLER
40	120472X		SPACER T
41	105928X		SPROCKET 9T LT
42	110084X		SUB= 167148
43	134394		ASM KIT SHIM
44	120473X		SHAFT T
45	142678		GEAR SPUR 12 TTH
46	120407X		SUB= 124641X
47	106589X		"GEAR, SPUR 25T LT"
48	120408X		GEAR 28T T
49	105937X		"GEAR, SPUR 31T LT"
50	105936X		SPACER LT
51	2226J		WASHER 060
52	134401		NEOPRENE WASHER
53	2264J		WASHER 031
54	120474X		SUB= 154658
55	110081X		GEAR 15T T
56	105941X		"RING,RETAINING LT"
57	110071X		SUB= 120478X
58	120952X		SHAFT T

Ref #	Part Number	Qty	Description
59	110082X		GEAR 1ST T
60	120475X		SUB= 154659
61	142680		HOUSING LOWER TNS
62	120961X		PUCK T
63	7294J		BRAKE DISC. T
64	108989X		SPACER LT
65	120953X		SUB= 918120953X
66	120954X		PIN T
67	134799		TAP SCREW
68	138244		SUB= 108992X
69	108996X		WASHER LT
70	120956X		NLA
71	73810500		NUT.LOCK.5/16-24
72	106596X		"SCREW, TAPPING LT"
73	120416X		SUB= 126976X



WHEELS & TIRES



Ref #	Part Number	Qty	Description
1	59192		VALVE CAP
2	65139		VALVE STEM LT
3	106222X		SUB= 122073X
4	59904		TUBE.5.3/4.5/6
5	106732X427		"RIM ASM 6"" FRT"
6	278H		FITTING LT
7	9040H		"FLANGE, BEARING"
8	106108X427		"RIM AS 8"" REAR"
9	124635X		SUB= 126957X
10	7152J		TUBE.18X9.5-8
11	104757X		HUB CAP

