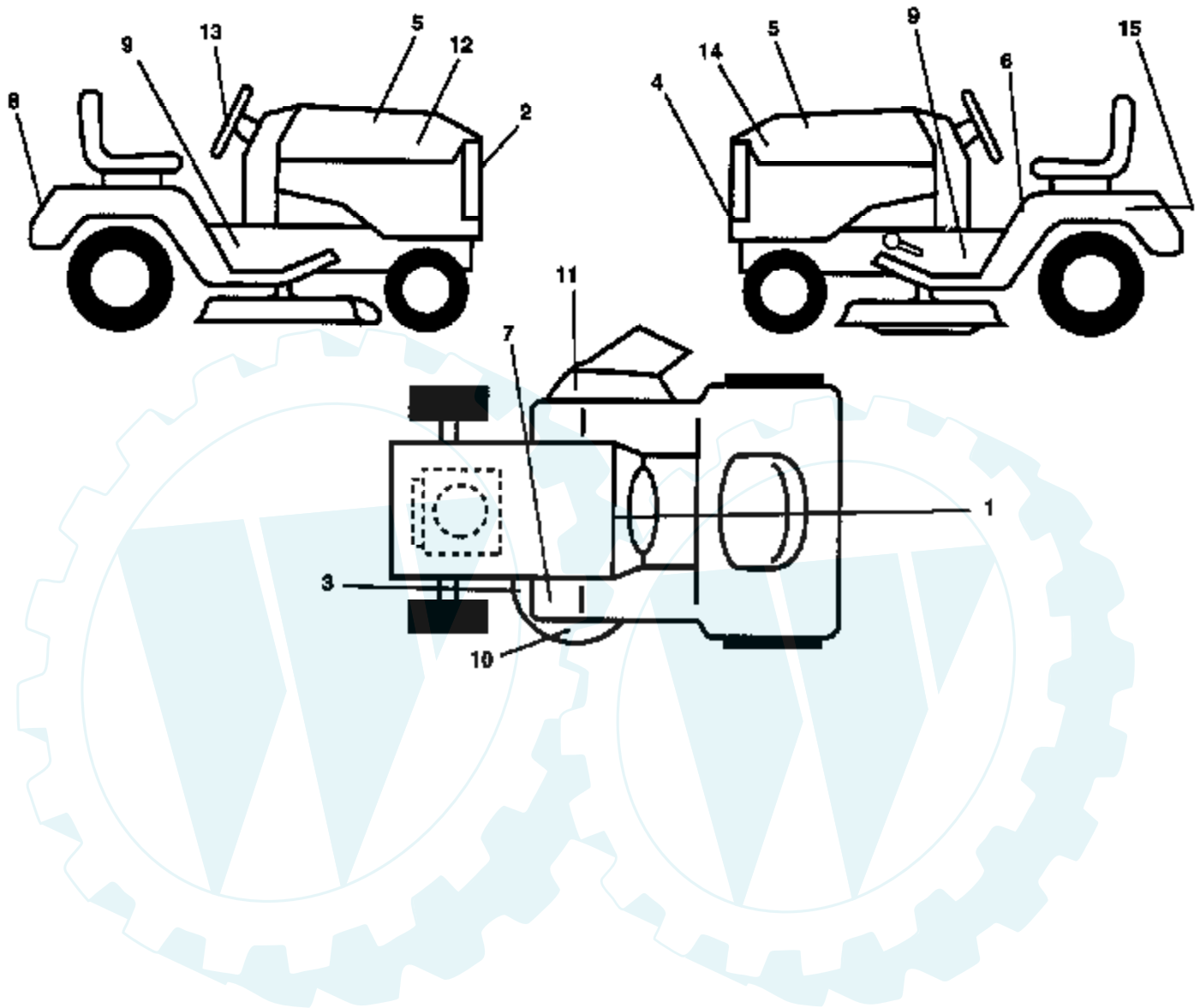


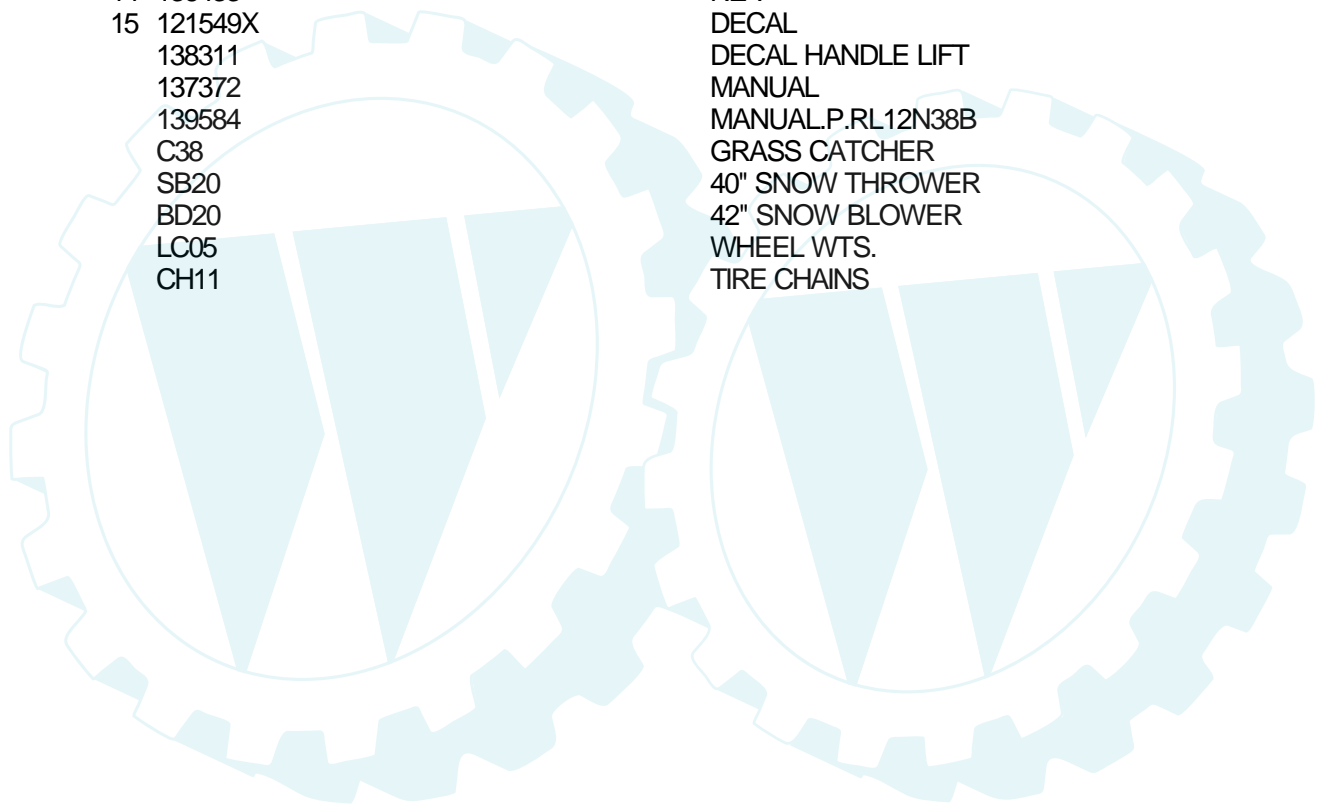
Ref #	Part Number	Qty	Description
1	135034		SUB= 145501
2	137275		SUB= 145009
3	17490612		SCREW
4	74760612		SUB= 74780612
5	73680600		SUB= 73690600
6	124464X016		SADDLE. 5SP
7	17490608		SCREW LT
8	2751R		CLIP T
9	137411X012		DASH
10	5479J		PLUG BUTTON T
11	122795X		PANEL DASH LH
12	121794X		COVER ACCESS
13	124031X		SUB= 155934X010
14	17490608		SCREW LT
15	74180512		SCREW
16	73510500		NUT
17	133956X419		HOOD/GRILL ASM
18	126938X		SUB= 532126938
19	133954		LENS SERVICE KIT
20	132257		SUB= 918132257
21	19091216		WASHER PM
22	108067X		PAL NUT LT
24	74760612		SUB= 74780612
25	19131312		WASHER
26	73680600		SUB= 73690600
27	17490608		SCREW LT
30	109872X419		FENDER
31	136619		BRKT FENDER
32	17490612		SCREW
33	105476X419		FOOTREST LH
34	105475X419		FOOTREST
35	72110606		BOLT
36	73680600		SUB= 73690600
38	134618		BRKT ASM PIVOT LH
39	134617		BRKT ASM PIVOT RH
40	72140608		SUB= 72110608
50	73800600		NUT
51	19131216		WASHER
53	72140608		SUB= 72110608
54	74760614		SUB= 74760616
58	11050600		LOCKWASHER

12 HP 38" TRACTOR -- MODEL NUMBER RL12N38B

DECALS

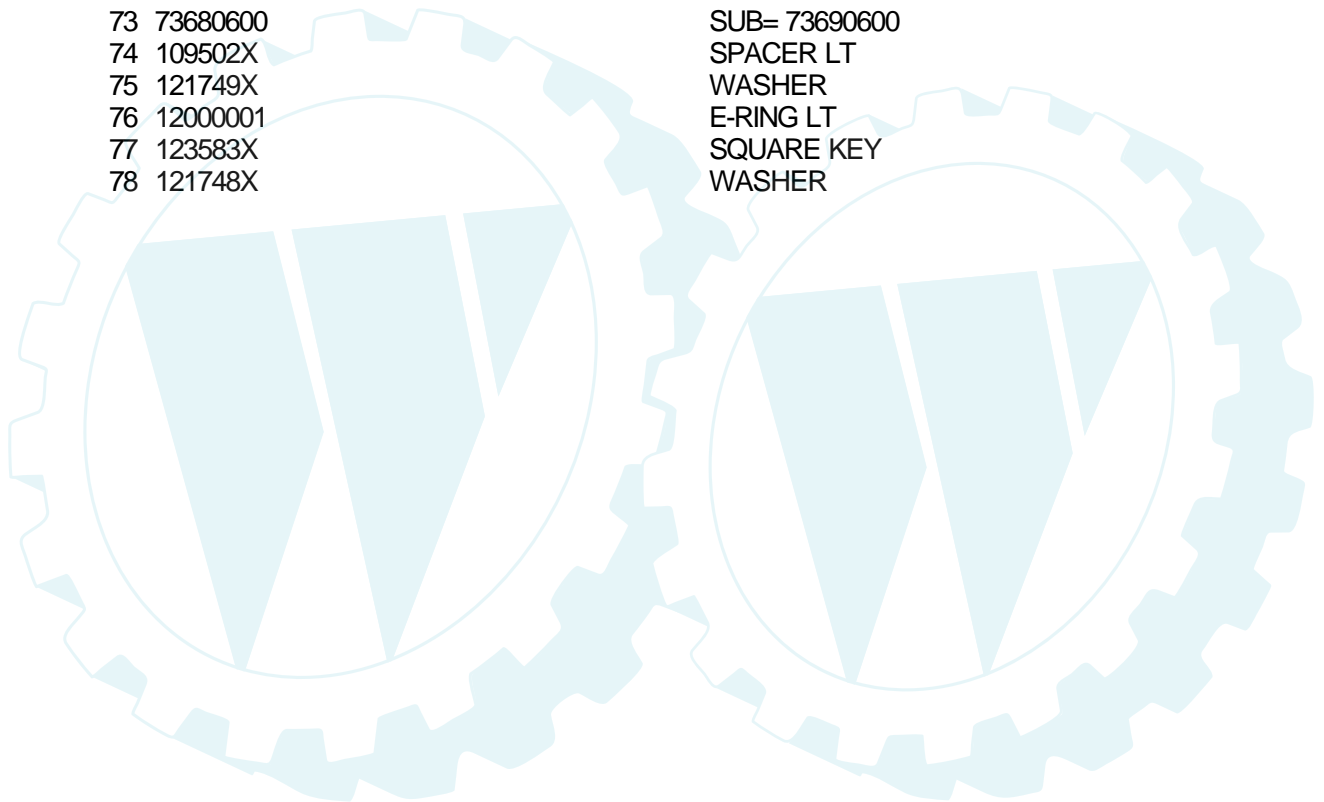


Ref #	Part Number	Qty	Description
1	136795		SUB= 138956
2	132627		GRILL DECAL
3	136832		DECAL
4	129823		NLA
5	136082		NLA
6	133795		DECAL CAUTION
7	101892X		DECAL T
8	132628		FENDER DECAL
9	127900		DECAL CHASSIS SPEED DECK
10	135013		NLA
11	137259		"DECAL, WARNING"
12	136434		NLA
13	127075		"DECAL,STR WHL"
14	136433		NLA
15	121549X		DECAL
	138311		DECAL HANDLE LIFT
	137372		MANUAL
	139584		MANUAL.P.RL12N38B
	C38		GRASS CATCHER
	SB20		40" SNOW THROWER
	BD20		42" SNOW BLOWER
	LC05		WHEEL WTS.
	CH11		TIRE CHAINS



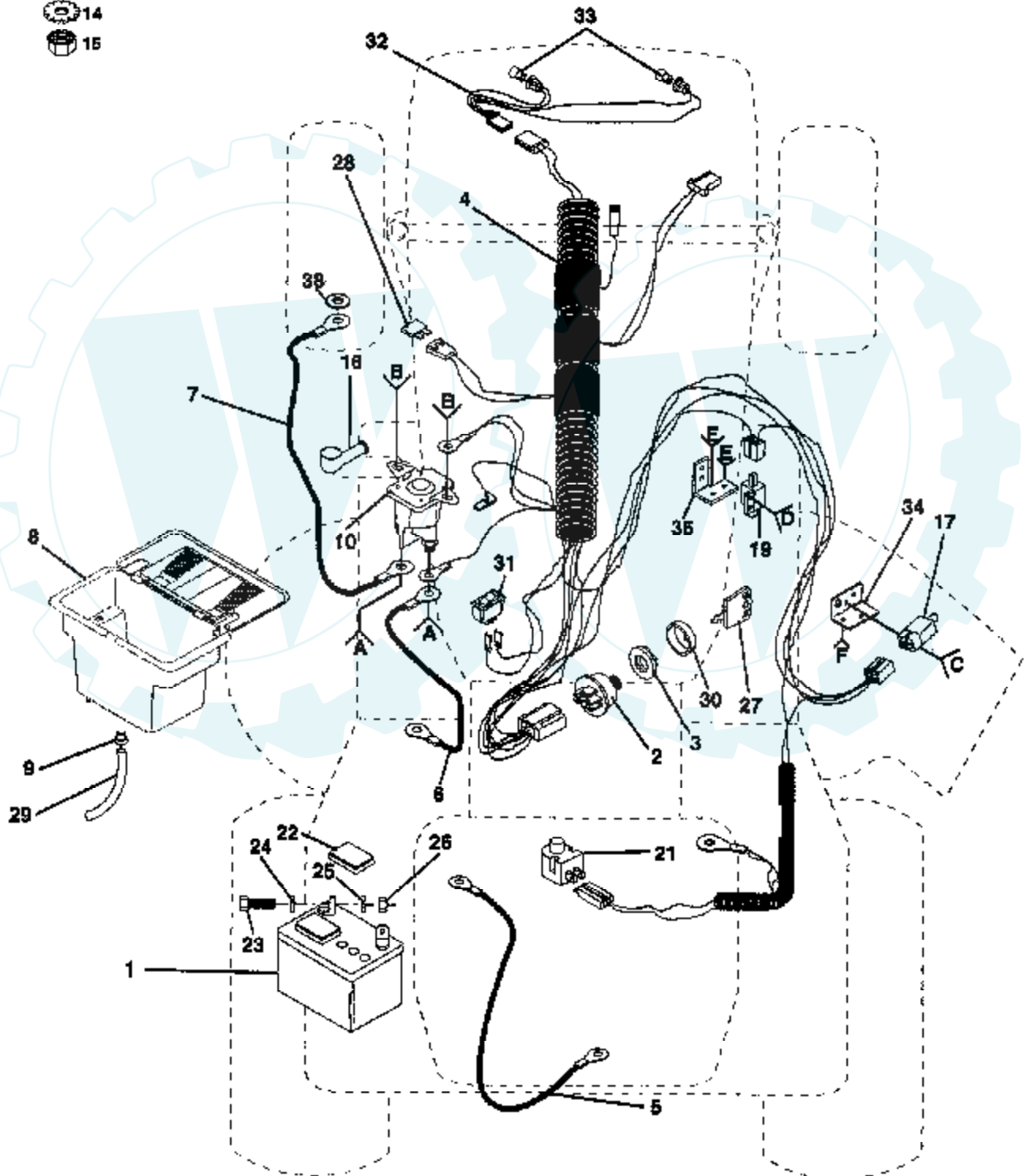
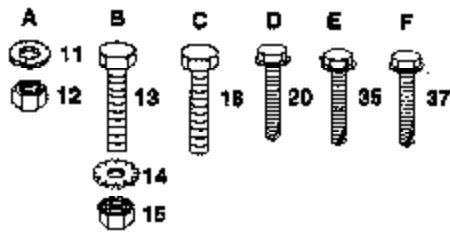
Ref #	Part Number	Qty	Description
1	137362		SUB= 160851
2	110422X		SUB= 146682
3	123666X		PULLEY TRANS
4	12000028		SUB= 2267J
5	121520X		STRAP TORQUE
6	17490512		SCREW
7	106919X		PLATE SHIFT LT
8	124461X		ROD SHIFTER
9	19151216		WASHER
10	76020416		PIN COTTER 1/8
11	105701X		WASH-SHFT PLT LT
12	19091210		WASHER LT
13	71040412		SUB= 74550412
14	10040400		LOCKWASHER
15	74760644		BOLT
16	73680600		SUB= 73690600
17	121520X		STRAP TORQUE
18	74760612		SUB= 74780612
19	73680600		SUB= 73690600
20	17490512		SCREW
21	106279X		CONTROL KNOB LT
22	131867		BRAKE ROD
23	73800600		NUT
24	73350600		NUT
25	106888X		SPRING ROD LT
26	19131316		WASHER
27	76020412		COTTER PIN
28	128904		PARKING BRAKE ROD
29	7733J		SUB= 71673
30	109167X		BRACKET LT
31	127275X		"KEEPER,BELT LH T"
32	74760616		BOLT
33	73680600		SUB= 73690600
34	122424X		SUB= 149001
35	120183X		NYLON BEARING
36	19211616		WASHER LT
37	1572H		SUB= 2882J
38	123674X		PULLEY.IDLER.FLAT
39	74760644		BOLT
40	4470J		SPACER T
41	109070X		BELT KEEPER LT
42	19131312		WASHER
43	73680600		SUB= 73690600
44	105706X		"LY, BEARING"
45	110812X		WASHER LT
46	12000039		KLIP RING
47	127783		SUB= 139245
48	123789X		ARM IDLER
49	123205X		RETAIN BELT
50	74760624		SUB= 74930624
51	73680600		SUB= 73690600
52	19131316		WASHER
53	105710X		"LINK, CLUTCH T"
54	76020412		COTTER PIN
55	105709X		"SPRING, RETURN LT"
56	76020412		COTTER PIN
57	125907X		BELT-V.90.0.GD.DR
58	127274X		"KEEPER,BELT RH T"

Ref #	Part Number	Qty	Description
59	136715		SUB= 140312
60	19131312		WASHER
61	17490612		SCREW
62	8883R		PEDAL COVER T
63	134825		SUB= 136004
64	7117064		BOLT HEX 7/16-20X4 GR 5
65	10040700		LOCKWASHER
66	129921		KEEPER.BELT.ENG.L
67	74760616		BOLT
68	19131312		WASHER
69	73680600		SUB= 73690600
70	134683		KEEPER BELT ENG
71	74760616		BOLT
72	19132012		WASHER
73	73680600		SUB= 73690600
74	109502X		SPACER LT
75	121749X		WASHER
76	12000001		E-RING LT
77	123583X		SQUARE KEY
78	121748X		WASHER



12 HP 38" TRACTOR -- MODEL NO. RL12N38B

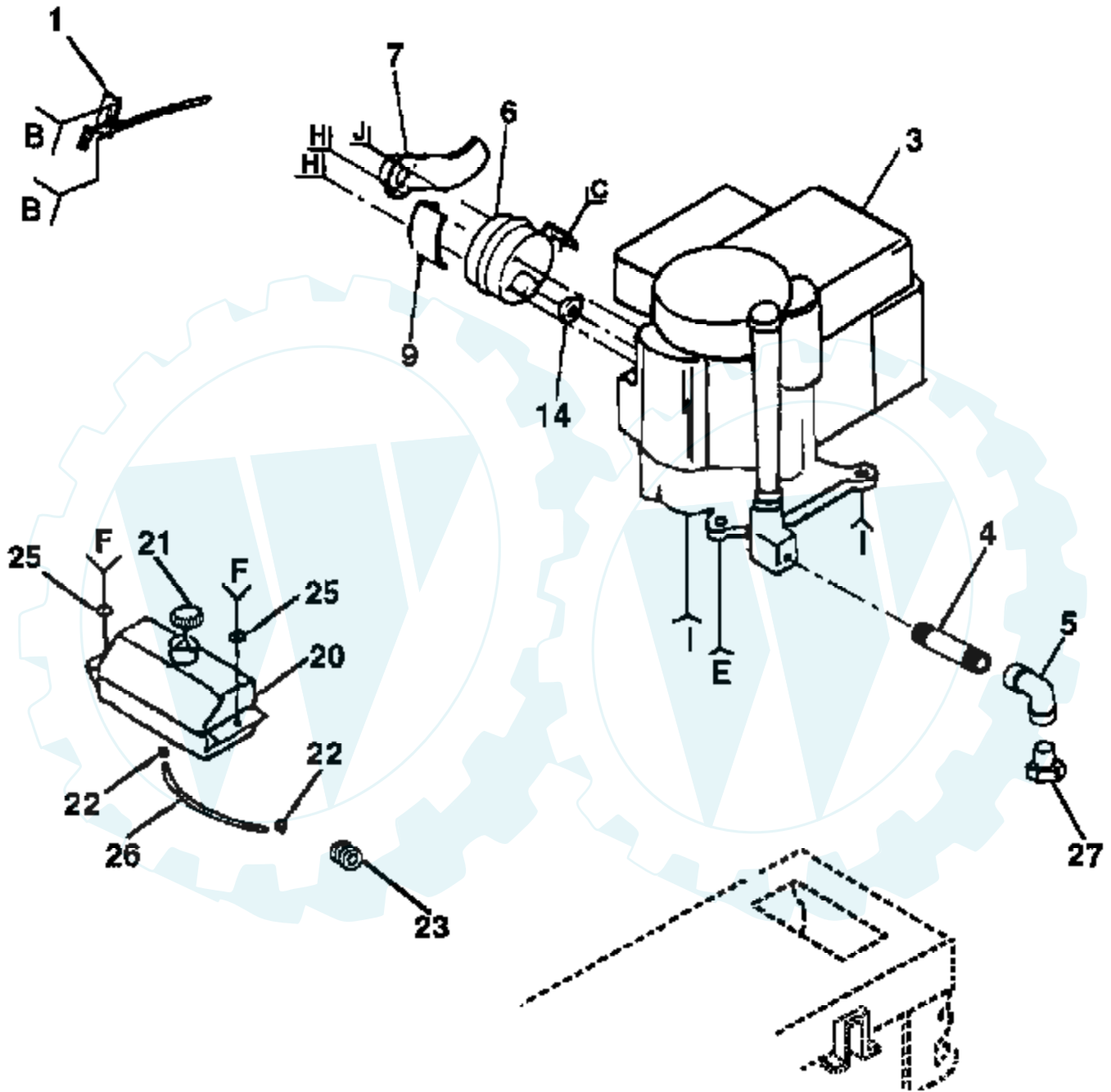
ELECTRICAL



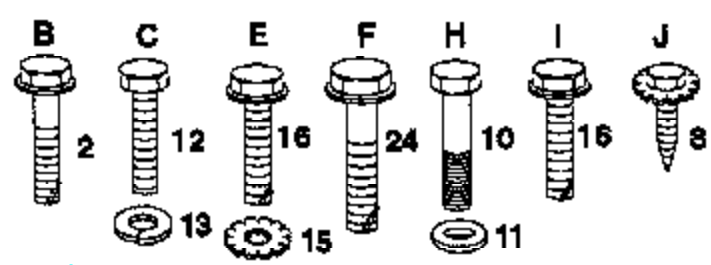
Ref #	Part Number	Qty	Description
1	121265X		SUB= 123899X
2	4406R		SUB= STD365402
3	124211X		NUT IGNITION
4	132017		IGN HARNESS
5	4207J		CABLE T
6	132202		SUB= 146147
7	4799J		"CABLE T, BATTERY"
8	129965		SUB= 156417
9	109596X		HOSE CLAMP T
10	138406		SUB= 146154
11	10090400		SUB= 10040400
12	73350400		NUT
13	74780408		BOLT
14	11050400		LOCKWASHER
15	73510400		NUT
16	131563		SUB= 154336
17	109553X		SWITCH INTERLOCKT
18	17021008		SCREW
19	104445X		SWITCH-INTER. GT
20	17021008		SCREW
21	121305X		SWITCH SEAT
22	121264X		"CAP,BATTERY "
23	74760412		BOLT LT
24	19091016		WASHER
25	10040400		LOCKWASHER
26	73220400		SUB= 50675
27	7552H		SUB= STD365410
28	108824X		FUSE HYT
29	109238X		TUBE T
30	123620X		SUB= 141226
31	110712X		SWITCH LT
32	136850		"HARNESS,LIGHT SOC"
33	4152J		HEADLAMP BULB
34	130890		SWITCH BRACKET
35	17021008		SCREW
36	108236X		BRACKET LT
37	17021008		SCREW
38	11150400		LOCKWASHER

12 HP 38" TRACTOR -- MODEL NO. RL12N38B

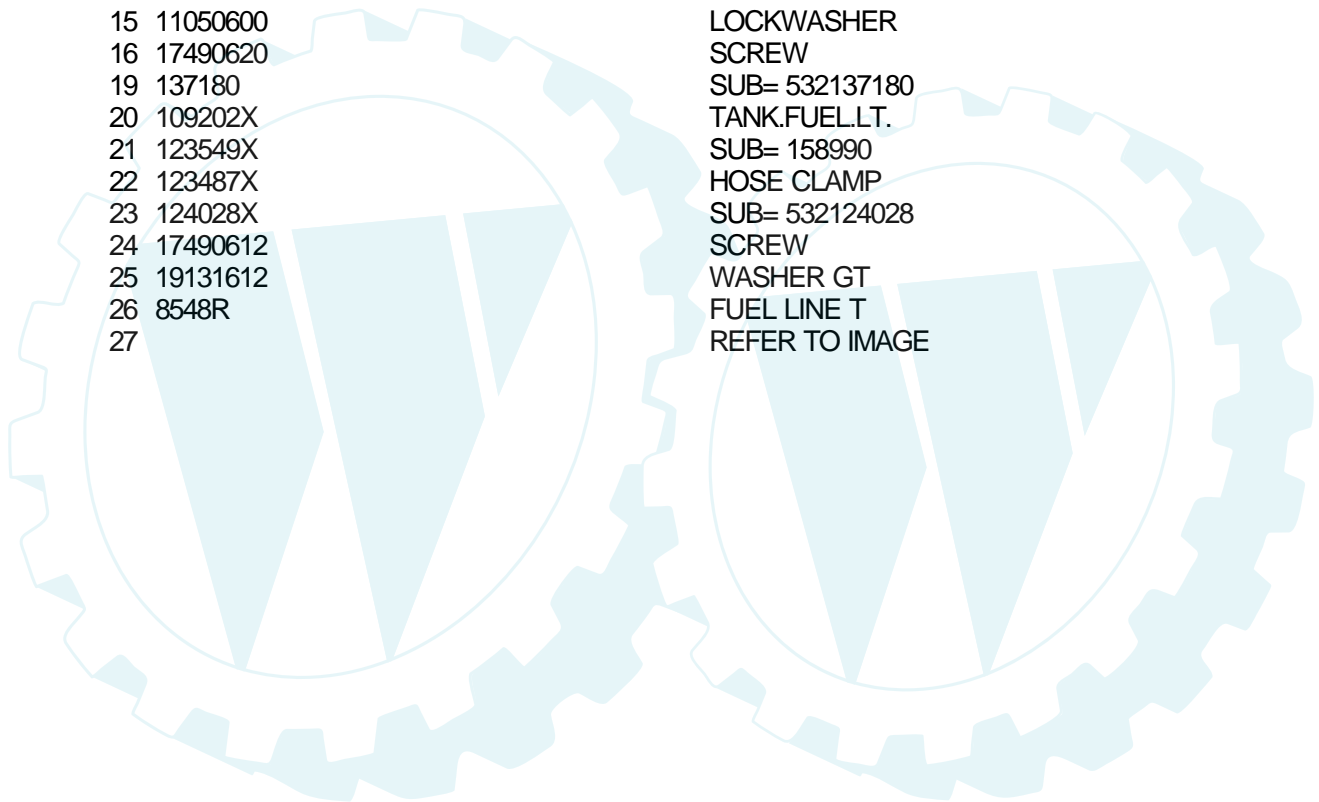
ENGINE



19
OPTIONAL EQUIPMENT
Spark Arrester

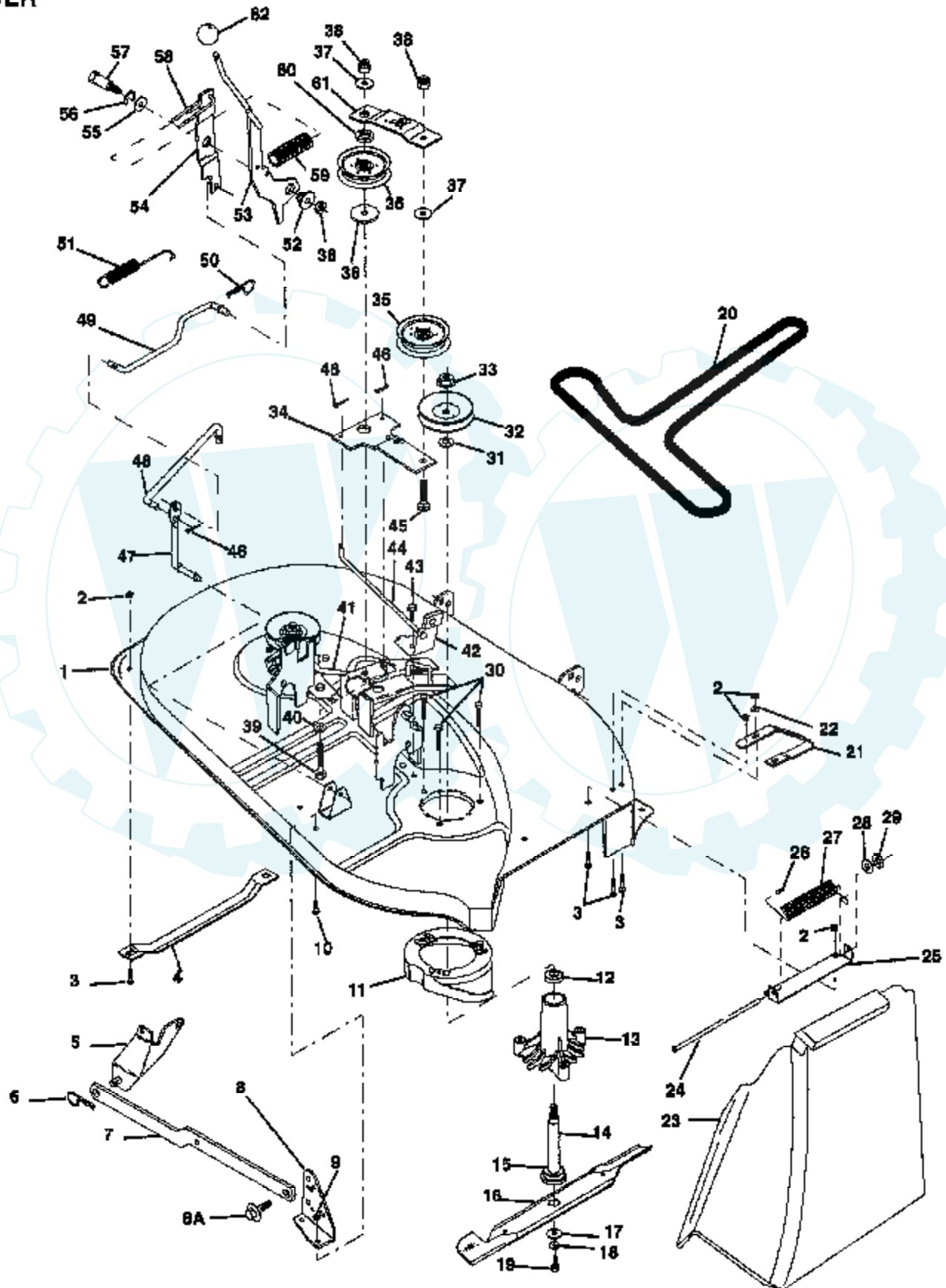


Ref #	Part Number	Qty	Description
1	132772		SUB= 132771
2	17720410		SCREW LT
3			REFER TO IMAGE
4	13280324		PIPE NIPPLE
5	13200300		ELBOW
6	101273M		MUFFLER LTV
7	108767X		DEFLECTOR MUFFLER
8	17030808		SUB= 17030814
9	101159L		SHIELD HEAT LTV
10	74780556		"BOLT,HEX"
11	19111012		WASHER T
12	74780408		BOLT
13	10040400		LOCKWASHER
14	125593X		SUB= 272293
15	11050600		LOCKWASHER
16	17490620		SCREW
19	137180		SUB= 532137180
20	109202X		TANK.FUEL.LT.
21	123549X		SUB= 158990
22	123487X		HOSE CLAMP
23	124028X		SUB= 532124028
24	17490612		SCREW
25	19131612		WASHER GT
26	8548R		FUEL LINE T
27			REFER TO IMAGE



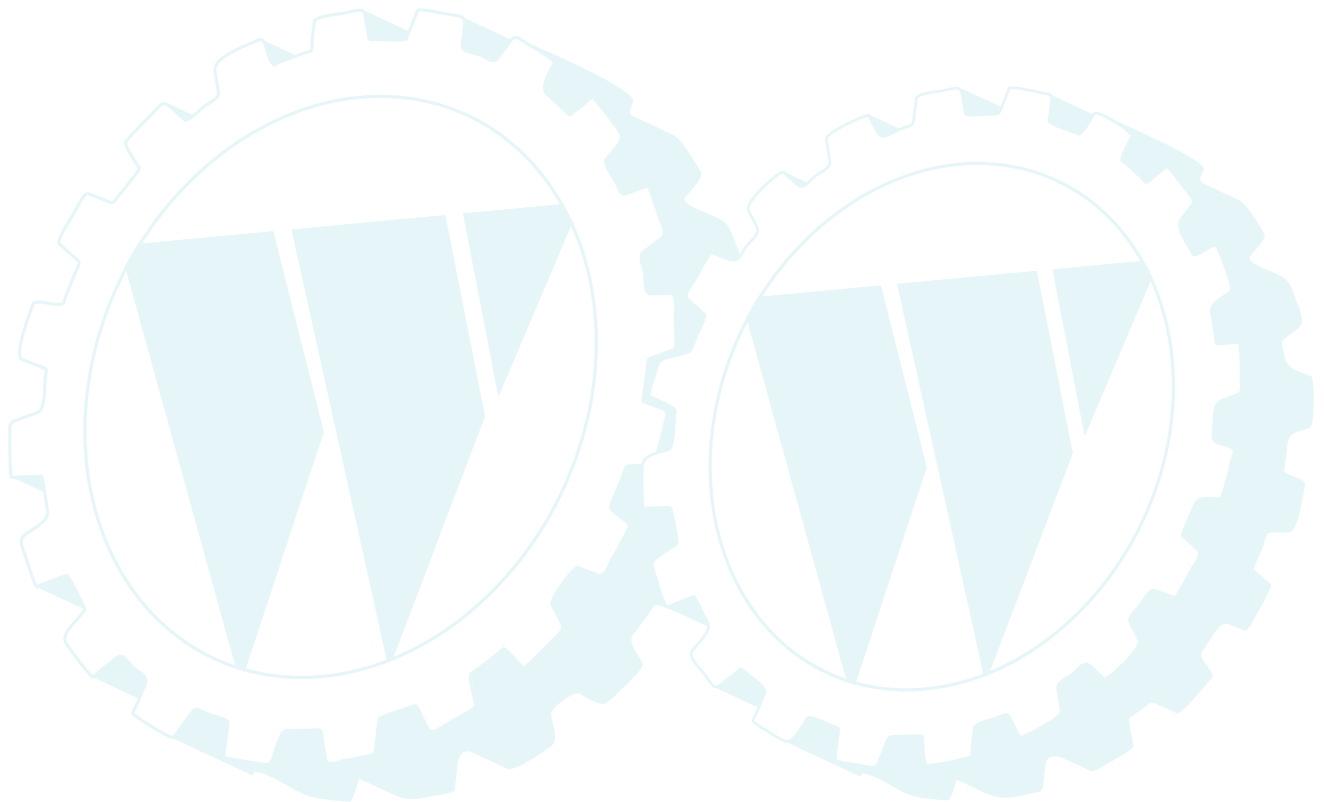
12 HP 38" TRACTOR - - MODEL NO. RL12N38B

MOWER



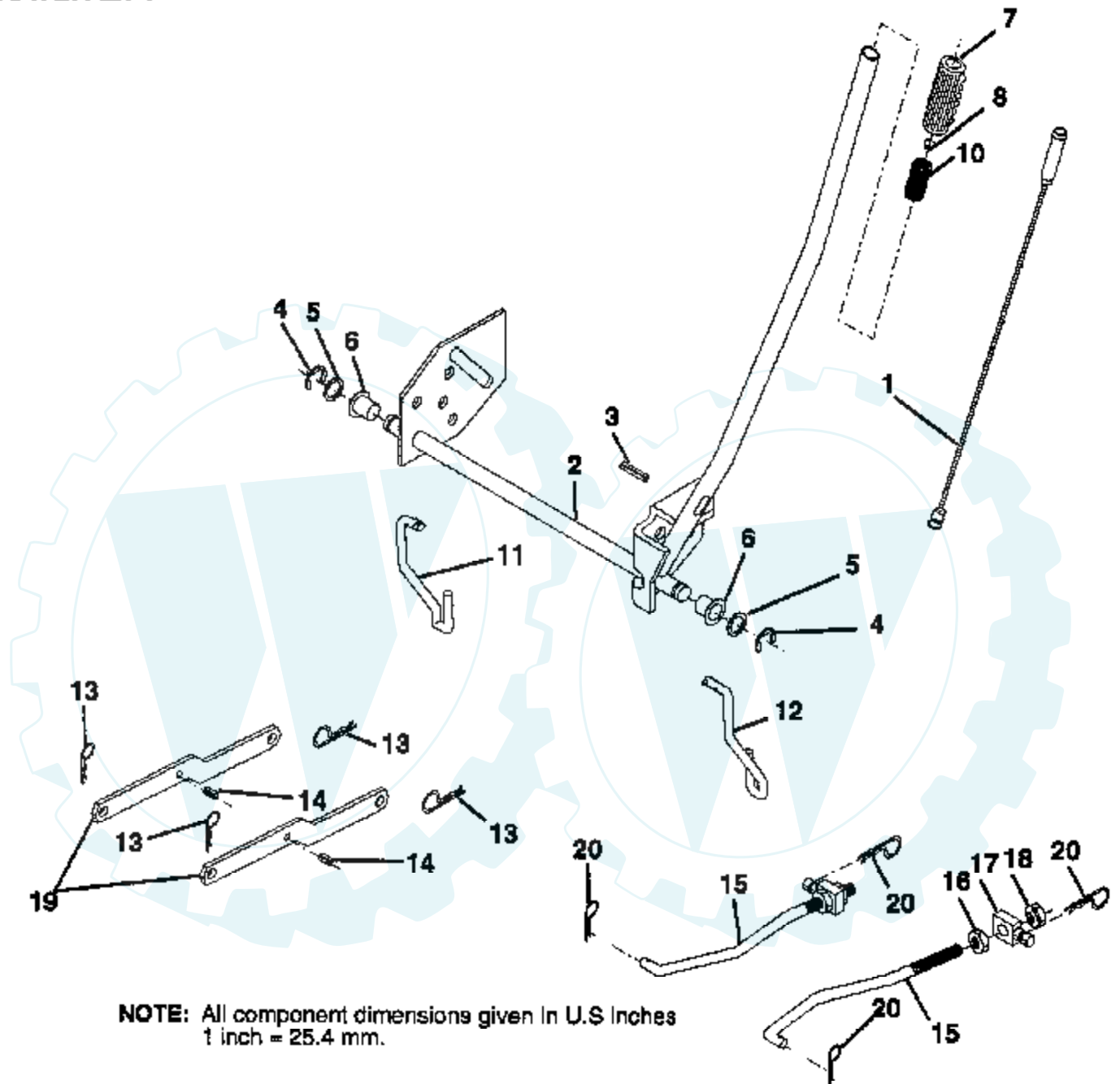
Ref #	Part Number	Qty	Description
1	138026		SUB= 145775
2	73680500		SUB= 73690500
3	72140506		BOLT
4	7631J		RUNNER-LH M
5	138017		BRKT ASM SWAY BAR
6	4939M		SUB= 85902
7	130832		SUB= 130833
8	138440		BRKT DECK SW BAR
8A	132827		BOLT SHD 5/16-18
9	73800500		NUT
10	72140506		BOLT
11	136929		SUB= 140329
12	110485X		BEARING
13	128774		HSG ASM MANDREL
14	137645		SUB= 137646
15	129895		BEARING.BALL
16	138497		"BLADE.38"" HIPERF"
17	129962		WASHER BLADE
18	10030600		SUB= 10040600
19	850857		BLADE BOLT
20	131290		BELT-V.88.12.MW
21	128772		RUNNER RH
22	19111216		WASHER M
23	106736X		DEFLECTOR-SHLD T
24	106735X		ROD-HINGE T
25	137607		BRKT DEFLECTOR
26	105304X		CAP-SLEEVE LT
27	123713X		SPRING TORSION
28	19111016		WASHER
29	110452X		NUT PUSH M
30	78158		SUB= 17580520
31	129963		WASHER
32	129206		SUB= 153532
33	137266		SUB= 139729
34	133840		IDLER ARM ASSY
35	131494		FLAT IDLER PULLEY
36	122052X		SPACER RETAINER
37	19131612		WASHER GT
38	73680600		SUB= 73690600
39	74600636		BOLT
40	19131612		WASHER GT
41	131289		BRAKE ROD LH
42	130840		BRAKE ASM
43	17490512		SCREW
44	131288		BRAKE ROD RH
45	72110614		BOLT
46	76020312		SUB= 3145
47	133551		PIVOT ROD
48	133504		CLUTCH ROD SECOND
49	134666		"ROD, CLUTCH PRIM"
50	4497H		RETAINER M
51	131870		RETURN SPRING
52	127498		BUSHING
53	133573		CLUTCH ARM PRI AS
54	127847		CLUTCH ARM SECOND
55	121748X		WASHER
56	12000029		RING
57	128903		SHOULDER BOLT

Ref #	Part Number	Qty	Description
58	127845		SPRING KEEPER
59	128759		SUB= 918128759
60	133502		RETAINER SPACER
61	133503		IDLER ARM STIFF
62	7803J		SUB= 106932X
	138360		SUB= 142820
	130794		MANDREL ASM



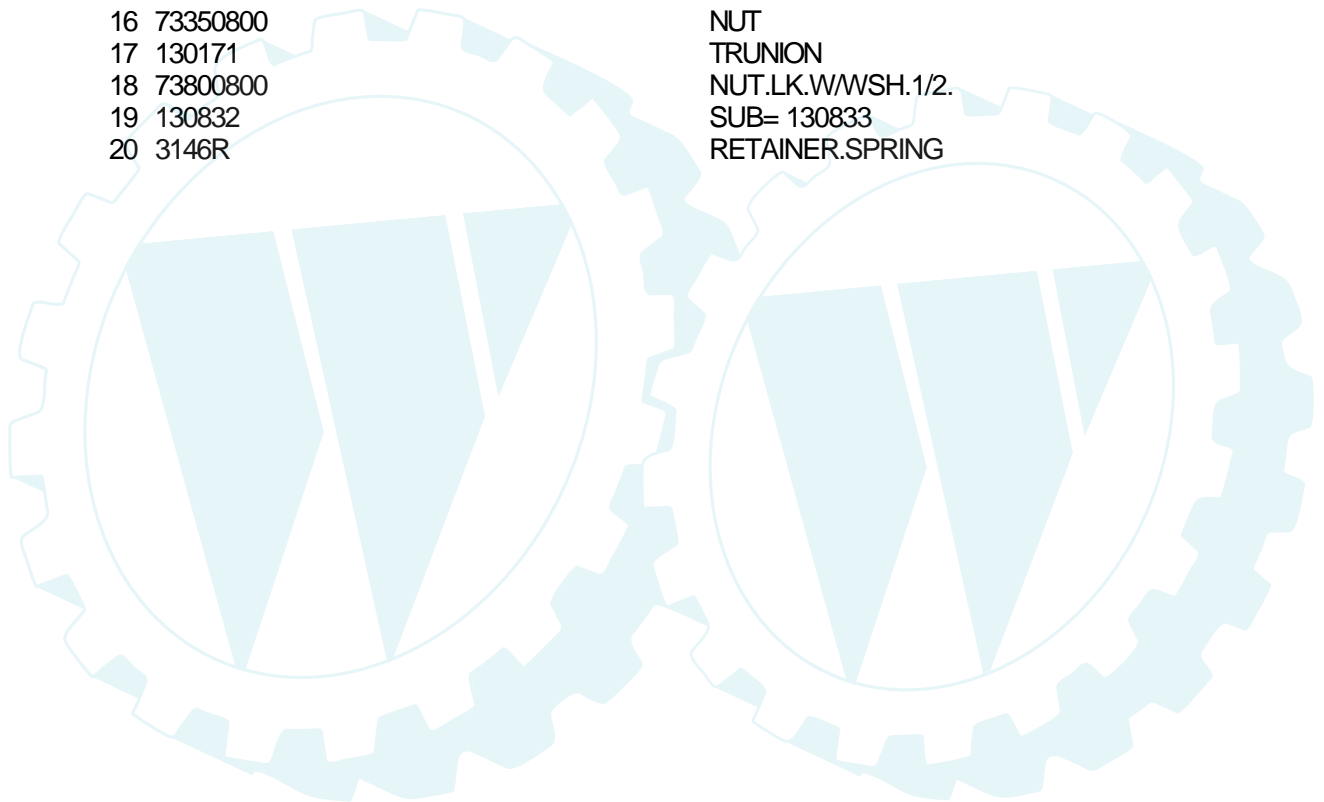
12 HP 38" TRACTOR -- MODEL NO. RL12N38B

MOWER LIFT



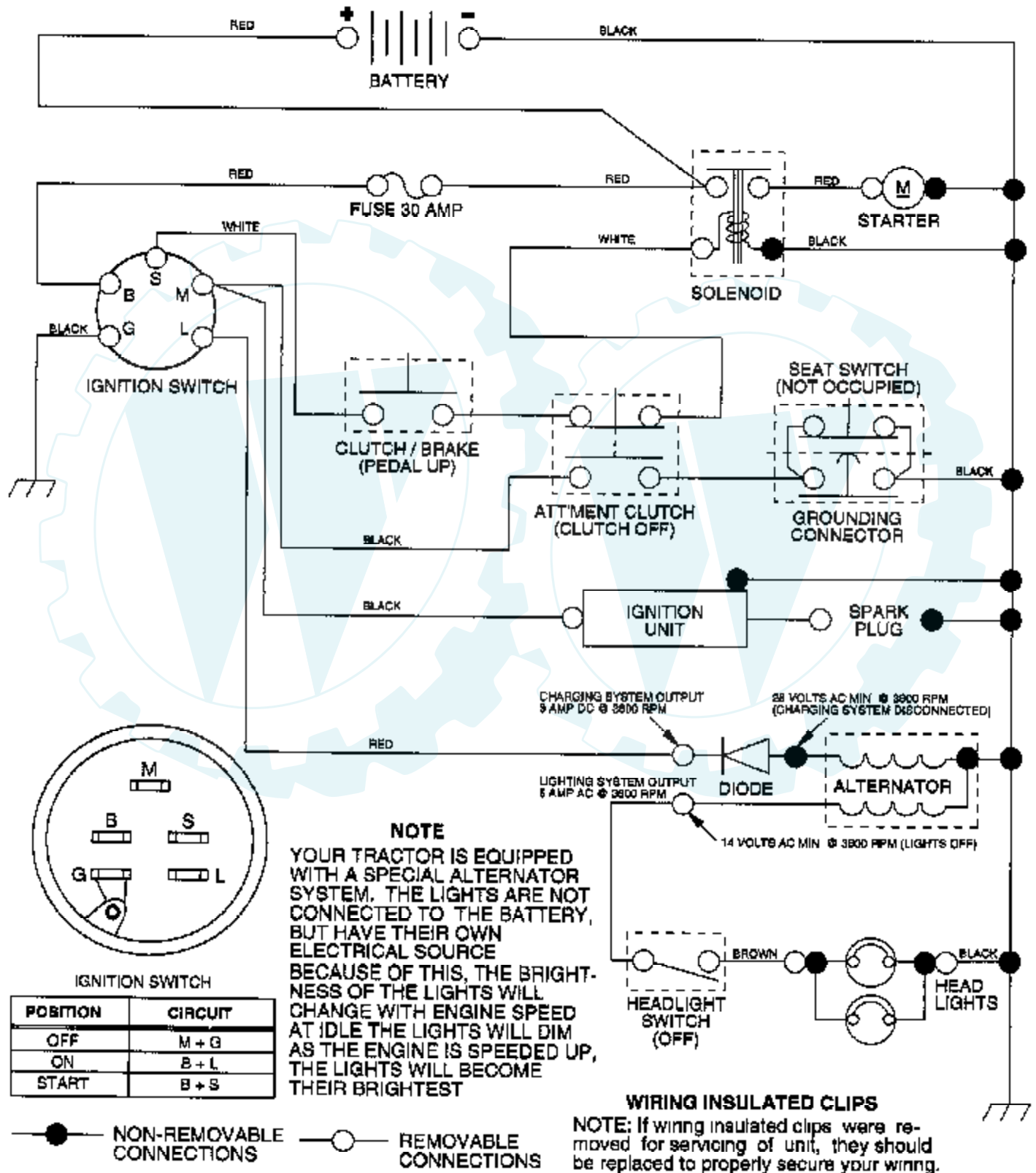
NOTE: All component dimensions given in U.S. inches
1 inch = 25.4 mm.

Ref #	Part Number	Qty	Description
1	136973		WIRE ASM
2	122507X		SUB= 145117
3	105767X		PIN-GROOVE LT
4	12000002		SUB= 2225J
5	19211621		WASHER
6	120183X		NYLON BEARING
7	109413X		GRIP
8	124385X		SUB= 125925X
10	122512X		SUB= 532122512
11	134619		LINK LIFT LH
12	135388		LIFT LINK RH
13	4939M		SUB= 85902
14	135563		"PIN,SPRING"
15	127218		LINK.FRONT
16	73350800		NUT
17	130171		TRUNION
18	73800800		NUT.LK.W/WSH.1/2.
19	130832		SUB= 130833
20	3146R		RETAINER.SPRING



12 HP 38" TRACTOR - - MODEL NUMBER RL12N38B

SCHEMATIC



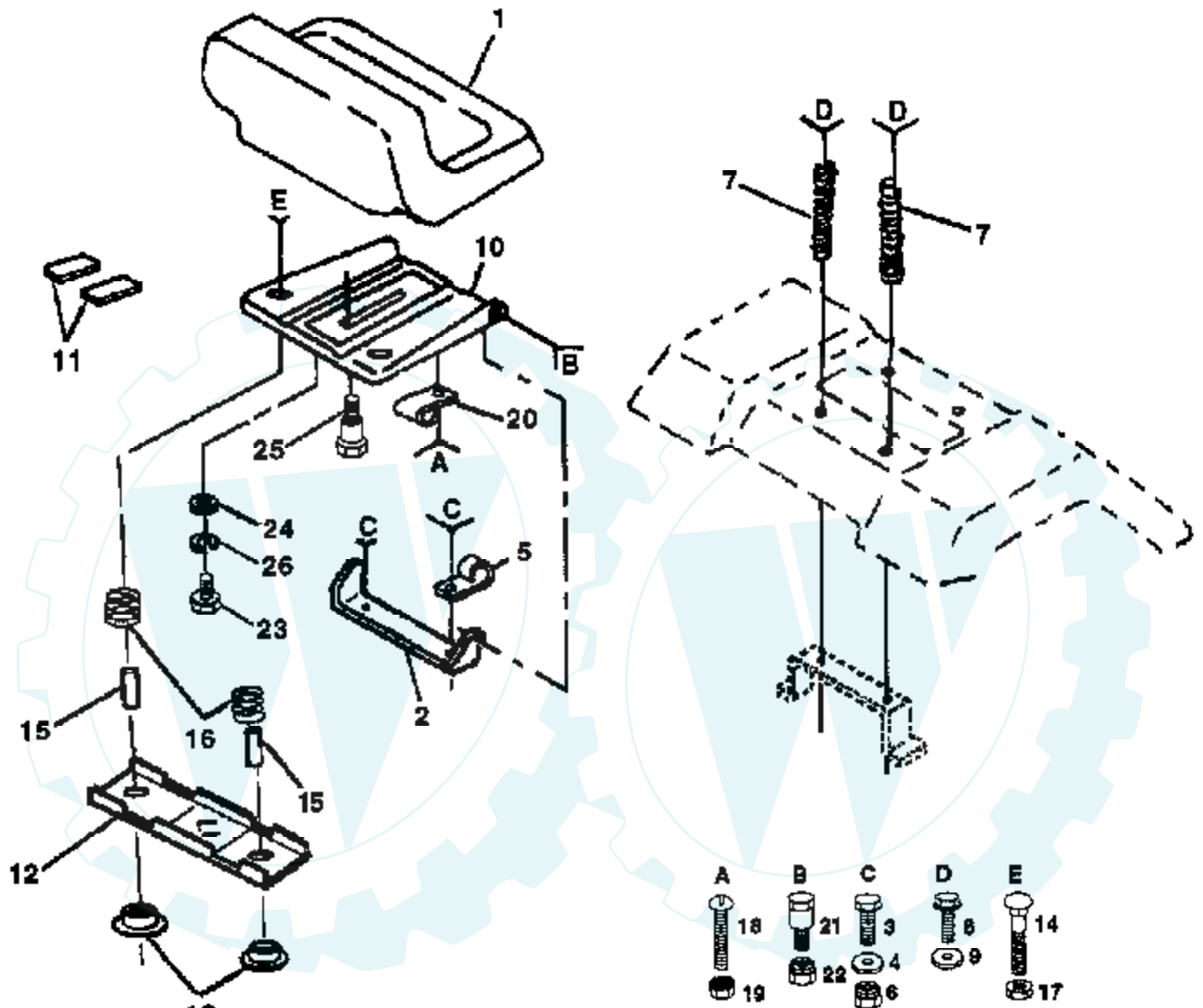
Ref #	Part Number	Qty	Description
-------	-------------	-----	-------------

REFER TO IMAGE



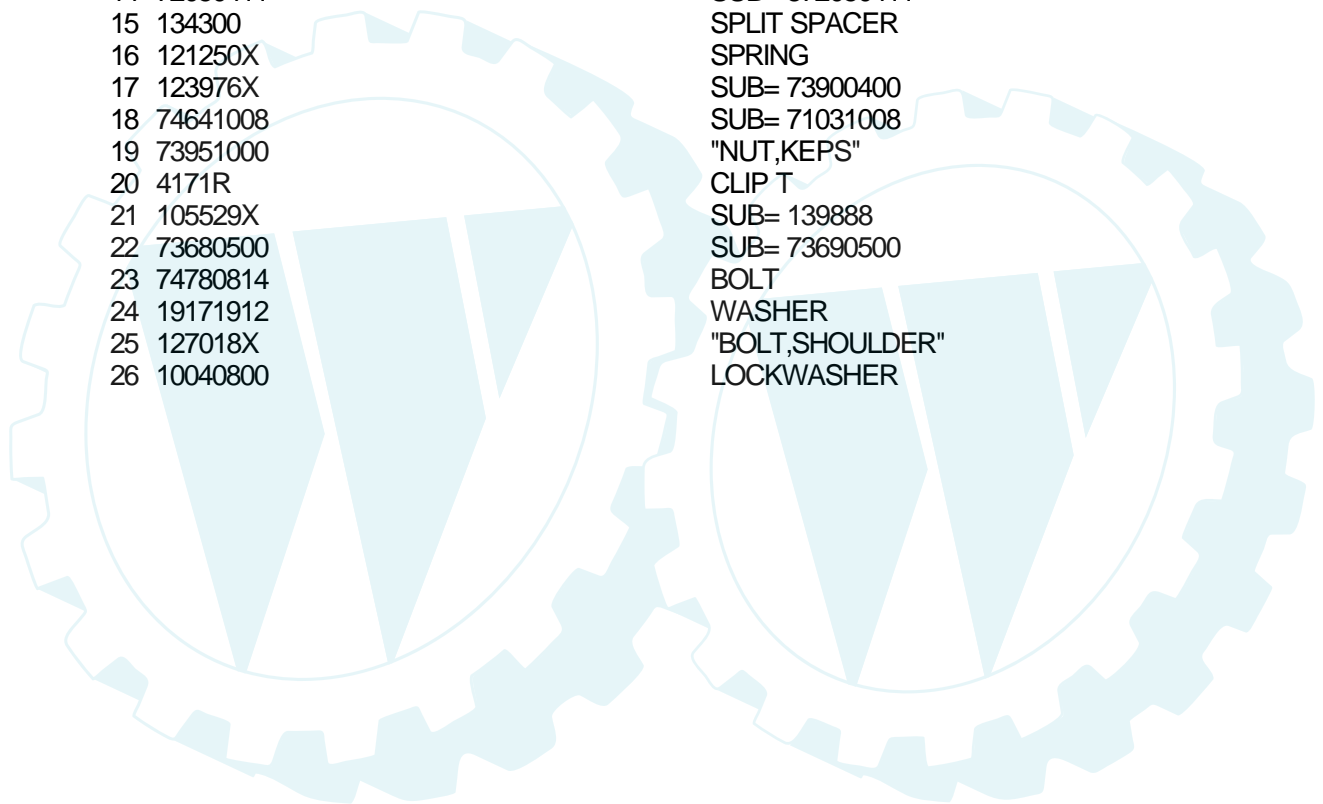
12 HP 38" TRACTOR - - MODEL NO. RL12N38B

SEAT ASSEMBLY



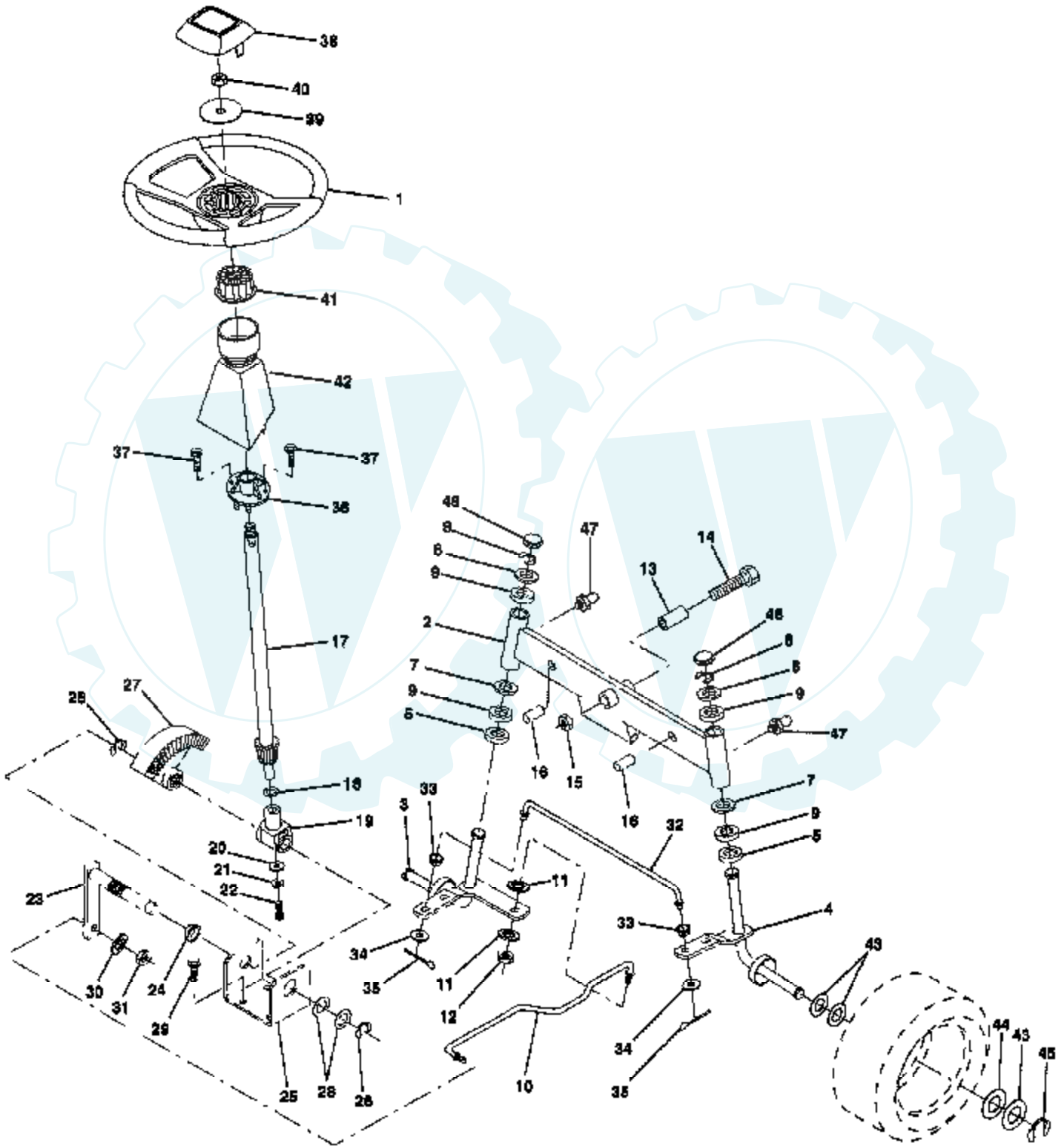
NOTE: All component dimensions given in U.S. inches
1 inch = 25.4 mm.

Ref #	Part Number	Qty	Description
1	127427		SUB= 140119
2	126656X		SUB= 140551
3	74760612		SUB= 74780612
4	19131610		WASHER PM
5	2751R		CLIP T
6	73680600		SUB= 73690600
7	124181X		SPRING COMPRESSIO
8	17490616		SCREW GTV
9	19131614		WASHER
10	131451		SUB= 155925
11	121251X		STRIP FORM
12	121246X		BRKT SWITCH
13	121248X		BUSHING
14	72050411		SUB= 872050411
15	134300		SPLIT SPACER
16	121250X		SPRING
17	123976X		SUB= 73900400
18	74641008		SUB= 71031008
19	73951000		"NUT,KEPS"
20	4171R		CLIP T
21	105529X		SUB= 139888
22	73680500		SUB= 73690500
23	74780814		BOLT
24	19171912		WASHER
25	127018X		"BOLT,SHOULDER"
26	10040800		LOCKWASHER



12 HP 38" TRACTOR -- MODEL NO. RL12N38B

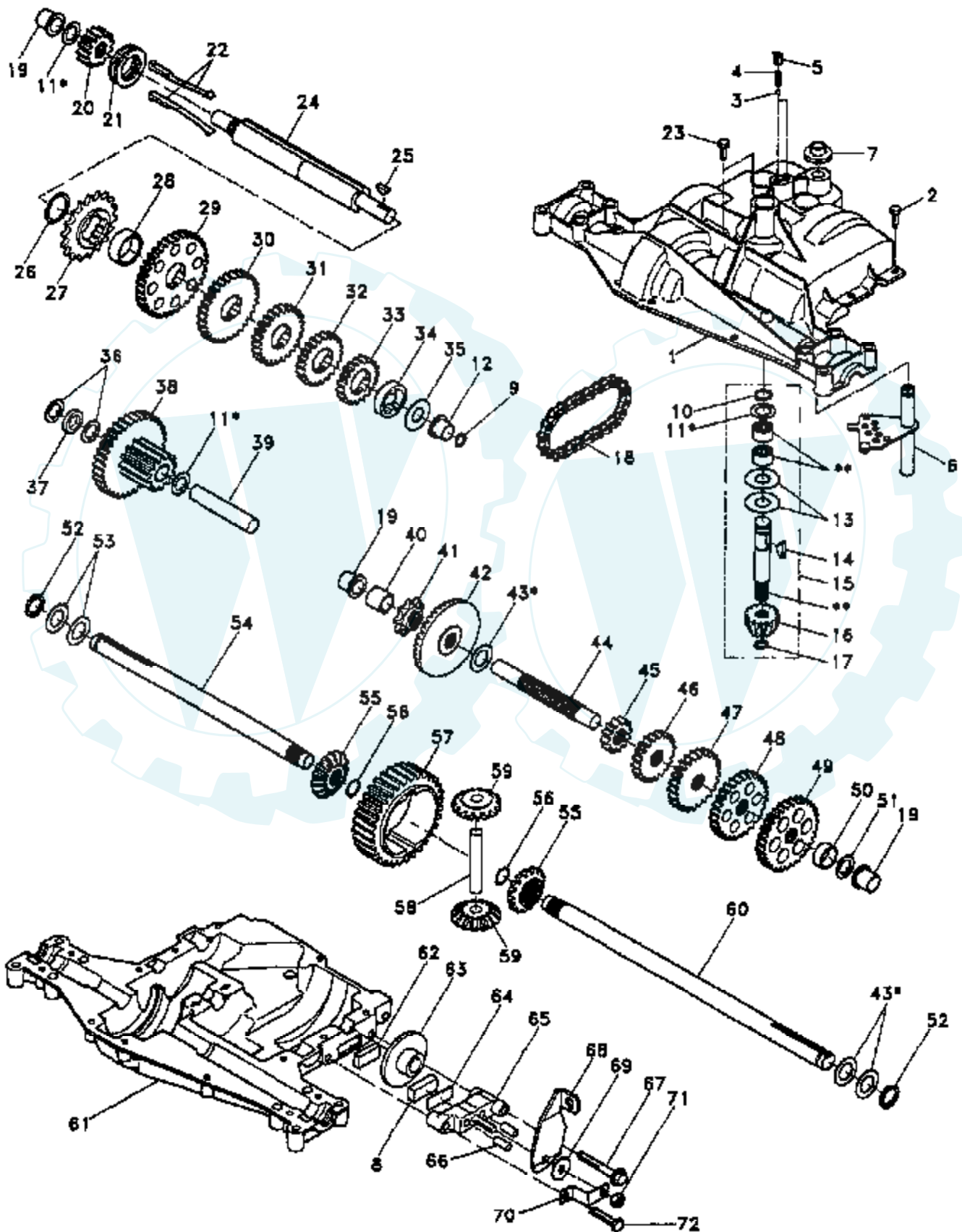
STEERING



Ref #	Part Number	Qty	Description
1	133741		SUB= 150547
2	133988		SUB= 142033
3	135227		SPINDLE LH
4	135228		SPINDLE RH
5	6266H		WASHER .T
6	121748X		WASHER
7	19272016		WASHER
8	12000029		RING
9	3366R		COL. SRTG. BEAR.
10	130468		SUB= 532130468
11	10040600		LOCKWASHER
12	73610600		SUB= 7810H
13	110438X		BEARING
14	74011056		BOLT HEX 5/8-11
15	73901000		"NUT-LOC,FLANGE LT"
16	132624		AXLE PIN
17	132614		SHAFT ASM
18	57079		THRUST WASHER
19	124035X		SUPPORT.SHAFT
20	126684X		SUB= 532126684
21	10040400		LOCKWASHER
22	71070410		"SCREW,SPECIAL"
23	127501		SUB= 918127501
24	109816X		NYLINER T
25	124036X		"BRKT,STEERING"
26	12000029		RING
27	136874		GEAR SECTOR
28	6266H		WASHER .T
29	17490612		SCREW
30	10040600		LOCKWASHER
31	73610600		SUB= 7810H
32	130465		TIE ROD
33	126847X		BUSHING.DRAGLINK
34	19131416		WASHER
35	76020412		COTTER PIN
36	132196		SUB= 155106
37	17431008		SUB= 98000165
38	133742		ST WHL INSERT CAP
39	19133808		WASHER T
40	7810H		GRIPCO NUT
41	104820X		ADAPTER-WHEEL LT
42	124418X		"TUBE, STR SHAFT"
43	121749X		WASHER
44	121748X		WASHER
45	12000029		RING
46	121232X		CAP
47	6855M		ZERK M

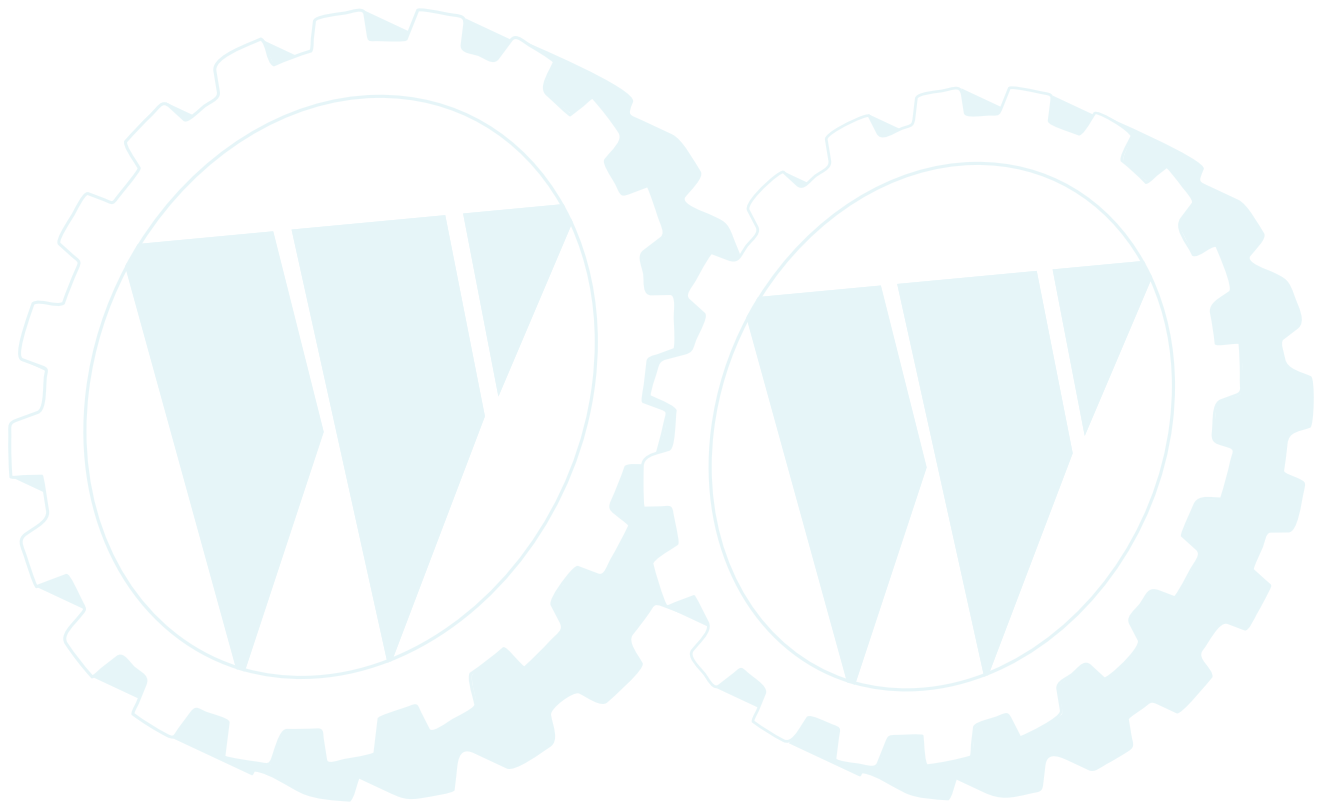
12 HP 38" TRACTOR - - MODEL NO. RL12N38B

TRANSAXLE DANA - MODEL NUMBER 4360-47



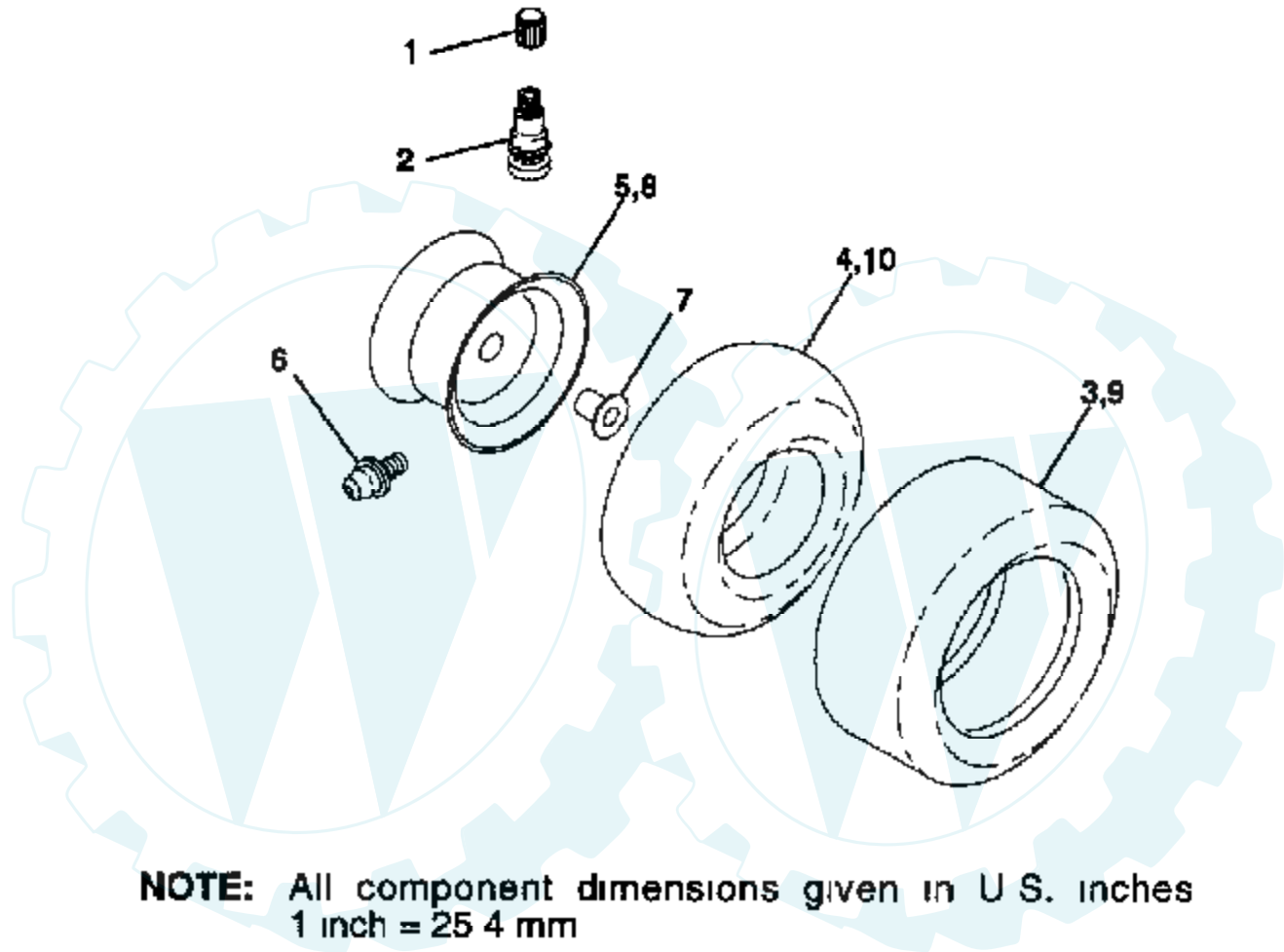
Ref #	Part Number	Qty	Description
1	138248		SUB= 160951
2	2274J		SUB= 74760412
3	134400		SUB= 68003
4	105904X		"SPRING, DETENT LT"
5	105905X		"SCREW, SET LT"
6	138235		KIT SHIFTER ASM
7	134399		SHIFTER BOOT
8	73810500		NUT.LOCK.5/16-24
9	138241		SQUARE RING
10	2267J		RETAINING RING LT
11	134793		ASM KIT SHIM 4689
12	138240		"FLANGE, BEARING"
13	120415X		WASHER T
14	2257J		WOODRUFF KEY
15	138234		AS KIT INPUT SHFT
16	110078X		PINION 14T T
17	105909X		"RING,RETAINING LT"
18	105910X		"CHAIN,24 PTCH LT"
19	105911X		BEARING.FLNG.5510
20	138242		GEAR SPUR 14T
21	138246		COLLAR CLUTCH
22	138236		ASM KIT CLTCH KEY
23	134791		SCREW TAP W/SEAL
24	138243		SHAFT INTERM
25	2244J		WOODRUFF KEY
26	105916X		"RING,RETAINING LT"
27	120470X		SPROCKET 18T T
28	110070X		SPACER YT
29	108977X		KIT.GEAR.12/37TH
30	120405X		SUB= 124644X
31	108980X		GEAR 25T LT
32	134796		SPUR GEAR 19T
33	138239		SPACER
34	106596X		"SCREW, TAPPING LT"
35	105925X		"WASHER, PLAIN LT"
36	2232J		WASHER 025
37	108978X		SPACER
38	110079X		ASSM GEAR COMB
39	124639X		SHAFT IDLER
40	120472X		SPACER T
41	105928X		SPROCKET 9T LT
42	110084X		SUB= 167148
43	134394		ASM KIT SHIM
44	120473X		SHAFT T
45	105933X		SUB= 108977X
46	120407X		SUB= 124641X
47	106589X		"GEAR, SPUR 25T LT"
48	105937X		"GEAR, SPUR 31T LT"
49	120523X		SPACER T
50	120951X		PUCK T
51	2226J		WASHER 060
52	134401		NEOPRENE WASHER
53	2264J		WASHER 031
54	120474X		SUB= 154658
55	110081X		GEAR 15T T
56	105941X		"RING,RETAINING LT"
57	110071X		SUB= 120478X
58	120952X		SHAFT T

Ref #	Part Number	Qty	Description
59	110082X		GEAR 1ST T
60	120475X		SUB= 154659
61	138247		SUB= 160951
62	120961X		PUCK T
63	7294J		BRAKE DISC. T
64	108989X		SPACER LT
65	120953X		SUB= 918120953X
66	120954X		PIN T
67	134799		TAP SCREW
68	138244		SUB= 108992X
69	108996X		WASHER LT
70	120956X		NLA
71	120416X		SUB= 126976X



12 HP 38" TRACTOR -- MODEL NUMBER RL12N38B

WHEELS & TIRES



NOTE: All component dimensions given in U.S. inches
1 inch = 25.4 mm

Ref #	Part Number	Qty	Description
1	59192		VALVE CAP
2	65139		VALVE STEM LT
3	124157X		SUB= 122073X
4	59904		TUBE.5.3/4.5/6
5	106732X311		SUB= 106732X427
6	278H		FITTING LT
7	9040H		"FLANGE, BEARING"
8	106108X311		SUB= 106108X427
9	123969X		TIRE.TS2.18X8.5
10	7152J		TUBE.18X9.5-8

