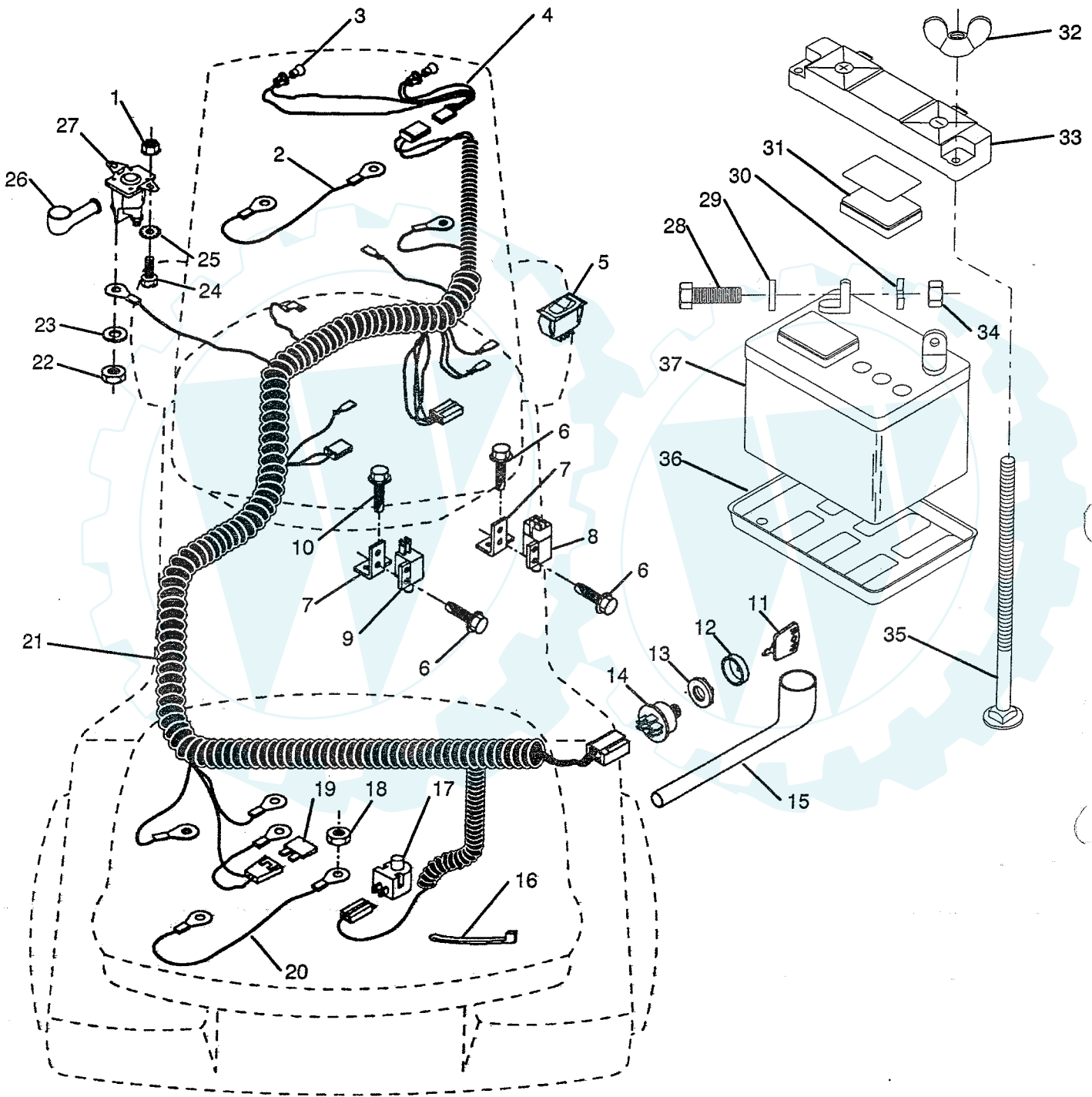


ILLUSTRATED PARTS BREAKDOWN

ELECTRICAL



ILLUSTRATED PARTS BREAKDOWN

www.ersatzteil-service.de

ELECTRICAL

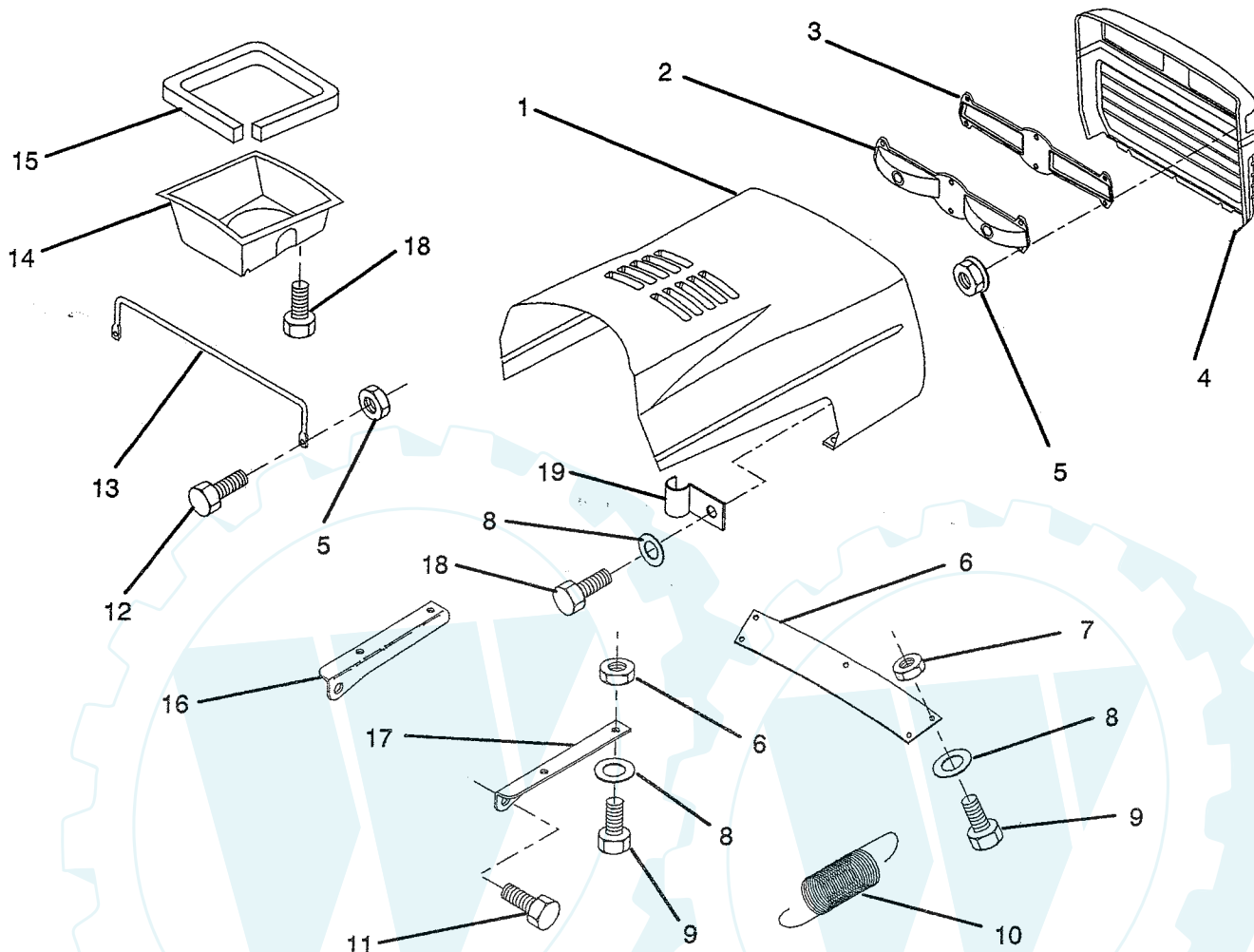
KEY NO.	PART NO.	DESCRIPTION	KEY NO.	PART NO.	DESCRIPTION
1	73510400	Nut, Hex, Keps 1/4-20	26	719J	Cover, Terminal
2	105002X	Assembly, Cable	27	109081X	Solenoid
3	7662J	Bulb, Light	28	74760412	Bolt, Hex Head 1/4-20 UNC x 3/4
4	127441X	Socket, Light Harness	29	19091016	Washer 9/32 x 5/8 x 16 Gauge
5	110712X	Switch, Light	30	10040400	Washer, Lock, Heavy Helical Spring 1/4
6	17021008	Screw, Hex Head, Tapping, #10-24 x 1/2	31	121264X	Battery, Cap
7	108236X	Bracket, Switch	32	123198X	Wing Nut, Locking, Plastic 1/4-20
8	109553X	Switch, Interlock	33	102476X	Guard, Terminal
9	104445X	Switch, Interlock	34	73220400	Nut, Fin. Hex 1/4-20 UNC
10	17211008	Screw, Hex Washer Head, Tap. #10-16 x 1/2	35	72240460	Bolt, Carriage 1/4-20 UNC x 7-1/2
11	122147X	Key, Molded	36	7603J	Tray, Battery
12	123620X	Cover, Key Ignition	37	121265X	Battery
13	124211X	Nut, Ignition	-	127661X	Manual, Operator's (English)
14	4406R	Switch, Ignition	-	127662X	Manual, Operator's (French)
15	124083X	Cover, Ignition Switch	-	MS-9250	Manual, Operating and Maintenance, Briggs and Stratton
16	7192J	Tie, Cable	-	130530	Manual, Parts (English & French)
17	121305X	Switch, Plunger	-	101539X	Sheet, Instruction, Tractor, 15° Slope (English)
18	73510500	Nut, Hex, Keps 5/16-18	-	101572X	Sheet, Instruction, Tractor, 15° Slope (French)
19	108824X	Fuse			
20	596J	Assembly, Cable			
21	124190X	Harness, Ignition			
22	73350400	Nut, Hex, Jam 1/4-20			
23	10090400	Washer, Lock 1/4			
24	74780408	Bolt, Fin. Hex 1/4-20 UNC x 1/2 Grade 5			
25	11050400	Washer, Lock, External Tooth 1/4			

NOTE: All component dimensions given in U.S. inches
1 inch = 25.4 mm

HARDWARE SHOWN LARGER FOR EASIER IDENTIFICATION

ILLUSTRATED PARTS BREAKDOWN

HOOD



KEY NO.	PART NO.	DESCRIPTION
1	122032X017	Hood
2	127177X	Light Box
3	127178	Lens
4	127176X366	Grill
5	124346X	Nut, Self-Threading, Washer Head 3/16
6	122550X419	Strap, Grill
7	73510400	Nut, Hex, Keps 1/4-20 UNC
8	19091016	Washer, 9/32 x 5/8 x 16 Gauge
9	74780410	Bolt, Hex Fin. 1/4-20 UNC x 5/8 Grade 5
10	124657X	Extension, Spring
11	126675X	Bolt, Shoulder, Thread Forming
12	74780412	Bolt, Hex Fin. 1/4-20 x 3/4 Gr. 5
13	123693X	Brace, Hood

KEY NO.	PART NO.	DESCRIPTION
14	123840X	Duct, Air
15	120537X	Strip, Foam
16	122548X	Bracket, Hood, L.H.
17	122549X	Bracket, Hood, R.H.
18	17411310	Screw, Fin. Hex #13-16 Hi-Lo x 5/8
19	2751R	Clip, Fuel Line
--	129267	Decal, Grill
--	128195	Decal, Stripe, Hood L.H.
--	128194	Decal, Stripe, Hood R.H.
--	127036	Decal, Grill, Loge
--	127033	Decal, Hood, 12 H.P.

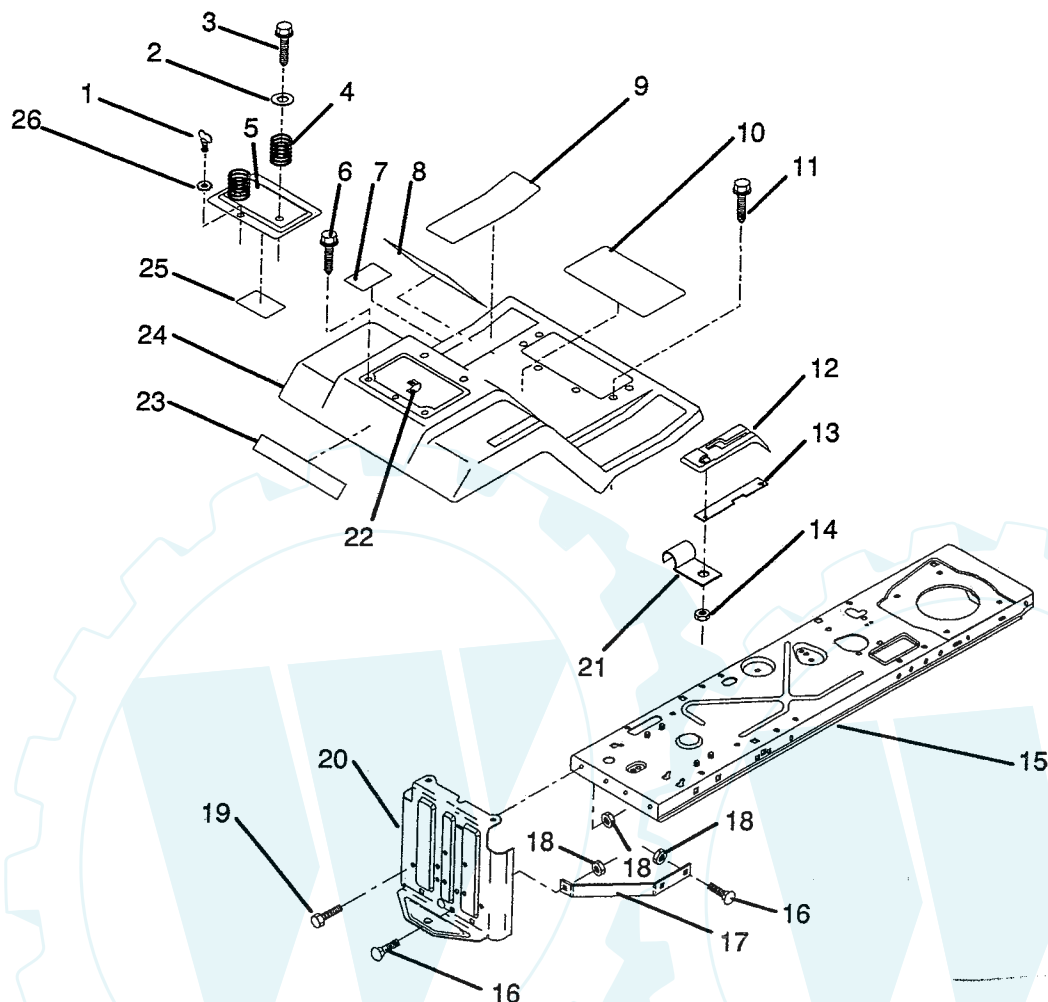
NOTE: All component dimensions given in U.S. inches
1 inch = 25.4 mm

HARDWARE SHOWN LARGER FOR EASIER IDENTIFICATION

ILLUSTRATED PARTS BREAKDOWN

www.ersatzteil-service.de

FENDER / CHASSIS



KEY NO.	PART NO.	DESCRIPTION	KEY NO.	PART NO.	DESCRIPTION
1	123650X	Stud, 1/4 Turn	15	123645X	Assembly, Frame
2	19132012	Washer 13/32 x 1- 1/4 x 12 Ga.	16	72140506	Bolt, Carriage 5/16-18 UNC x 3/4
3	17490612	Screw, Hex Wsh. Thd. Roll. 3/8-16 x 3/4	17	123379X	Brace, Drawbar
4	124181X	Spring, Compression, Seat	18	73680500	Nut, Crownlock 5/16-18
5	122008X419	Door, Fender	19	74760512	Bolt, Hex Head 5/16-18 UNC x 3/4
6	17490508	Screw, Hex Wsh. Thd. Roll. 5/16-18 x 1/2	20	121904X	Drawbar
7	123408X	Decal, Ground Drive Schematic	21	126470X	Clip, Insulated
8	120822X	Decal, Caution	22	105839X	Receptacle, 1/4 Turn
9	124144X	Pad, Footrest	23	127037	Decal, Rally Logo (Fender)
10	123637X	Decal, Operating Instructions	24	124332X419	Fender/Footrest
11	17490512	Screw, Hex Wsh. Thd. Roll. 5/16-18 x 3/4	25	121549X	Decal, Battery Caution
12	126995X	Console, Shift Control	26	105838X	Retainer 1/4 Turn
13	124307X	Bar, Shift Lock			
14	124346X	Palnut			

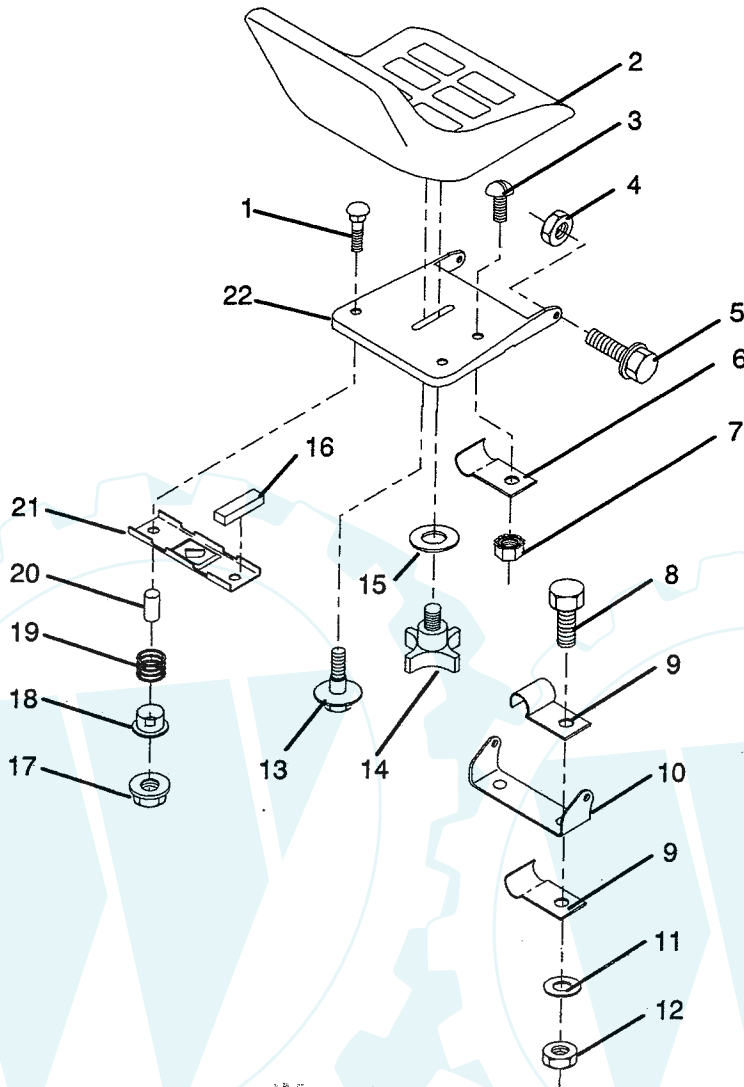
NOTE: All component dimensions given in U.S. inches
1 inch = 25.4 mm

HARDWARE SHOWN LARGER FOR EASIER IDENTIFICATION

ILLUSTRATED PARTS BREAKDOWN

www.ersatzteil-service.de

SEAT



KEY NO.	PART NO.	DESCRIPTION
1	72170410	Bolt, Carriage 1/4-20 x 1-1/4
2	127423X	Seat
3	74641008	Screw, Slotted Pan Head #10-32 x 1/2
4	73680500	Nut, Crownlock 5/16-18
5	105529X	Bolt, Shoulder 5/16-18 UNC
6	4171R	Clip, Insulated
7	73951000	Nut, Keps #10-32 UNF
8	74760612	Bolt, Fin. Hex 3/8-16 UNC x 3/4
9	126471X	Clip, Insulated
10	126656X	Bracket, Pivot, Seat
11	19131210	Washer 13/32 x 3/4 x 10 Ga.
12	73680600	Nut, Crownlock 3/8-16 UNC

KEY NO.	PART NO.	DESCRIPTION
13	127018X	Bolt, Shoulder
14	121144X	Knob, Seat 1/2"
15	19171912	Washer 17/32 x 1-3/16 x 12 Ga.
16	121251X	Strip, Foam
17	123976X	Nut, Hex, Large, Flange Lock
18	121248X	Bushing, Snap
19	121250X	Spring, Compression
20	121249X	Spacer, Split 28 Id. x .88 Large
21	121246X	Bracket, Switch, Mounting
22	124294X	Pan, Seat

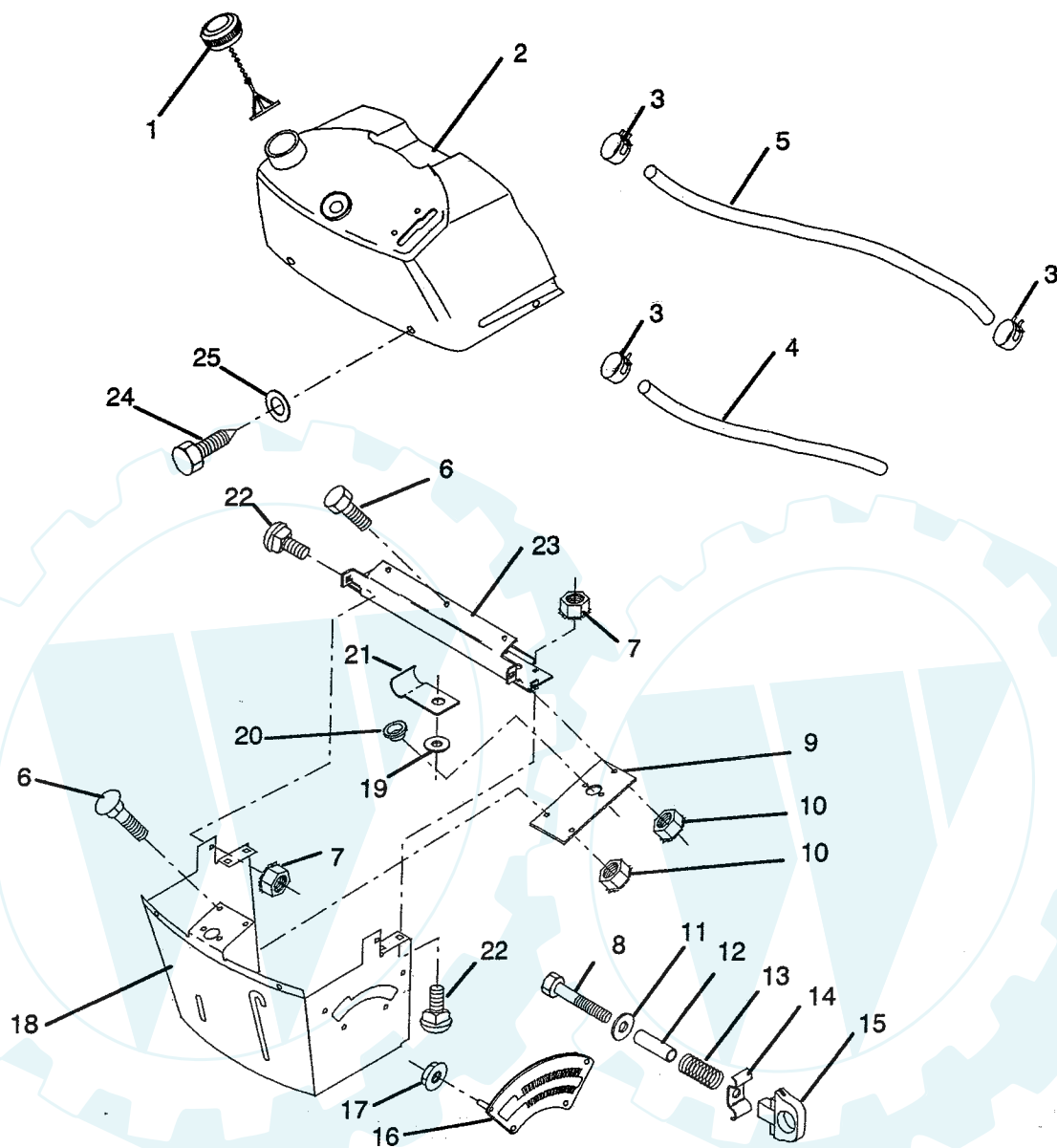
NOTE: All component dimensions given in U.S. inches
1 inch = 25.4 mm

HARDWARE SHOWN LARGER FOR EASIER IDENTIFICATION

ILLUSTRATED PARTS BREAKDOWN

www.ersatzteil-service.de

DASH



KEY NO.	PART NO.	DESCRIPTION	KEY NO.	PART NO.	DESCRIPTION
1	122015X	Cap, Fuel	15	126115X	Knob, Height Stop
2	123986X	Assembly, Dash & Fuel Tank	16	122023X	Adjustment, Quadrant Height
3	123487X	Clamp, Hose	17	124346X	Nut, Self Thread 3/16-18
4	8548R	Line, Fuel	18	121789X	Support, Dash
5	8544R	Line, Fuel	19	STD551025	* Washer 9/32 x 3/4 x 16 Ga.
6	74780412	Bolt, Hex, 1/4-20 x 3/4	20	110436X	Grommet, Split
7	STD541425	* Nut, Hex Keps 1/4-20	21	2751R	Clip, Fuel line
8	74760432	Bolt, Fin. Hex 1/4-20 x 1 1/2	22	STD532505	* Bolt, Carriage 1/4-20 x 1/2 Gr.5
9	130051	Plate, Support	23	122016X	Brace, Cross
10	73690400	Nut, Lock 1/4-20	24	130052	Screw, Self Tapping 1/4-20 x 1/2
11	19091413	* Washer, 11/32 x 11/16 x 16	25	19090816	Washer 9/32x1/2 x 16 Ga.
12	121249X	Spacer, Split			
13	3720R	Spring			
14	126450X	Knob, Height Retainer			

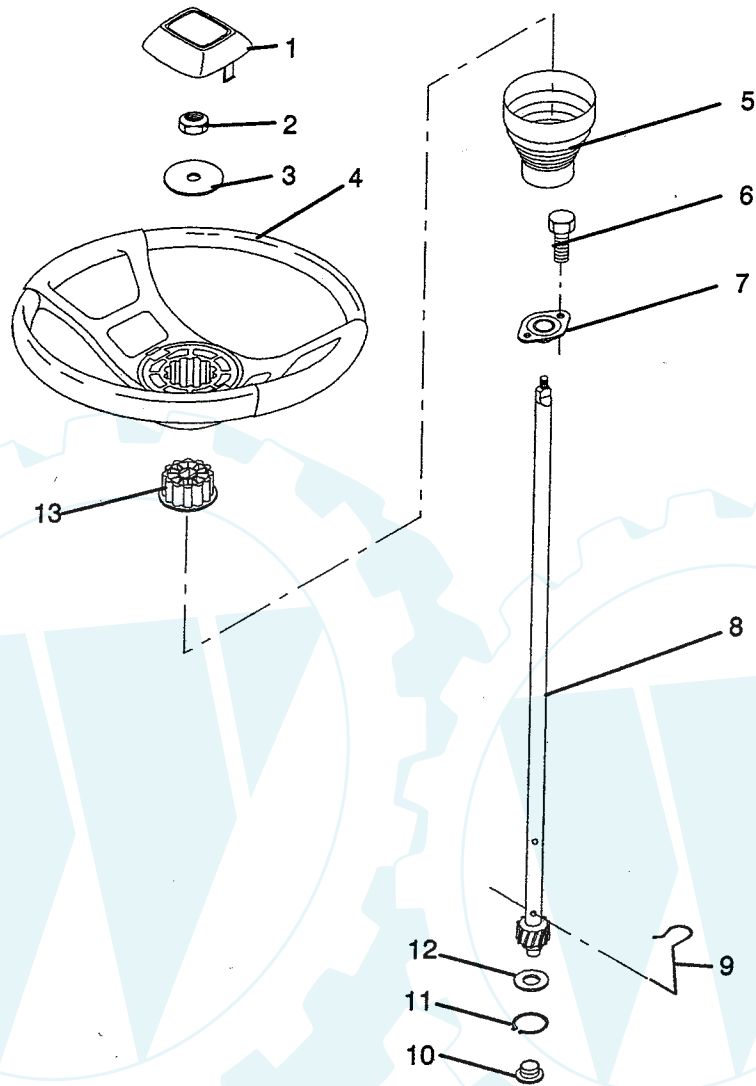
* STANDARD HARDWARE—PURCHASE LOCALLY
NOTE: All component dimensions given in U.S. inches
1 inch = 25.4 mm

HARDWARE SHOWN LARGER FOR EASIER IDENTIFICATION

Der ErsatzteilSpezialist im Internet.

ILLUSTRATED PARTS BREAKDOWN

STEERING WHEEL



KEY NO.	PART NO.	DESCRIPTION
1	100710L	Insert, Steering Wheel
2	7810H	Locknut 3/8-24 UNF
3	19133808	Washer 13/32 x 2-3/8 x 8 Gauge
4	100713N	Wheel, Steering
5	121897X	Sleeve, Steering
6	17431008	Screw, Hex, SLFTP #10-16 x 1/2 TY-B
7	102803X	Bushing, Steering
8	123651X	Shaft, Steering

KEY NO.	PART NO.	DESCRIPTION
9	124210X	Clip, Steering
10	123438X	Bushing, Lower, Steering
11	12000045	Ring, Retaining
12	19211616	Washer 21/32 x 1 x 16 Gauge
13	104820X	Adaptor, Wheel, Steering
—	127075	Decal, Steering Wheel

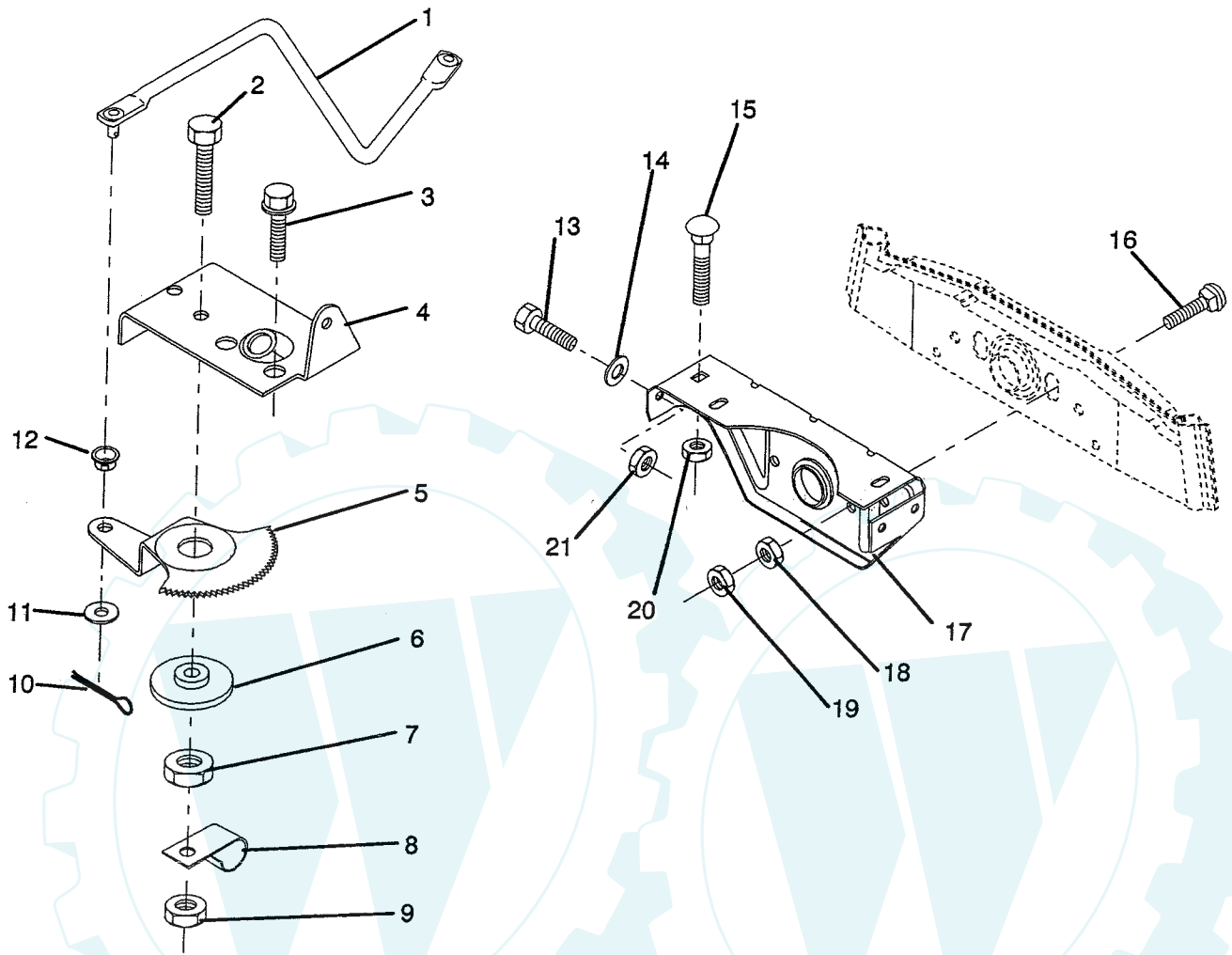
NOTE: All component dimensions given in U.S. inches
1 inch = 25.4 mm

HARDWARE SHOWN LARGER FOR EASIER IDENTIFICATION

ILLUSTRATED PARTS BREAKDOWN

www.ersatzteil-service.de

SECTOR GEAR / AXLE SUPPORT



KEY NO.	PART NO.	DESCRIPTION
1	124093X	Link, Drag
2	74780828	Bolt, Fin. Hex 1/2-13 x 1 3/4
3	17490508	Screw, Hex, Thd. Roll. 5/16-18 x 1/2
4	121925X	Plate, Steering Support
5	121926X	Gear, Sector
6	121927X	Bushing
7	73030800	Nut, Heavy, Hex, Top Lock 1/2-13 UNC
8	126472X	Clip, Insulated
9	73680800	Nut, Crownlock 3/8-16
10	76020412	Pin, Cotter 1/8 x 3/4
11	19131316	Washer 13/32 x 13/16 x 16 Ga.

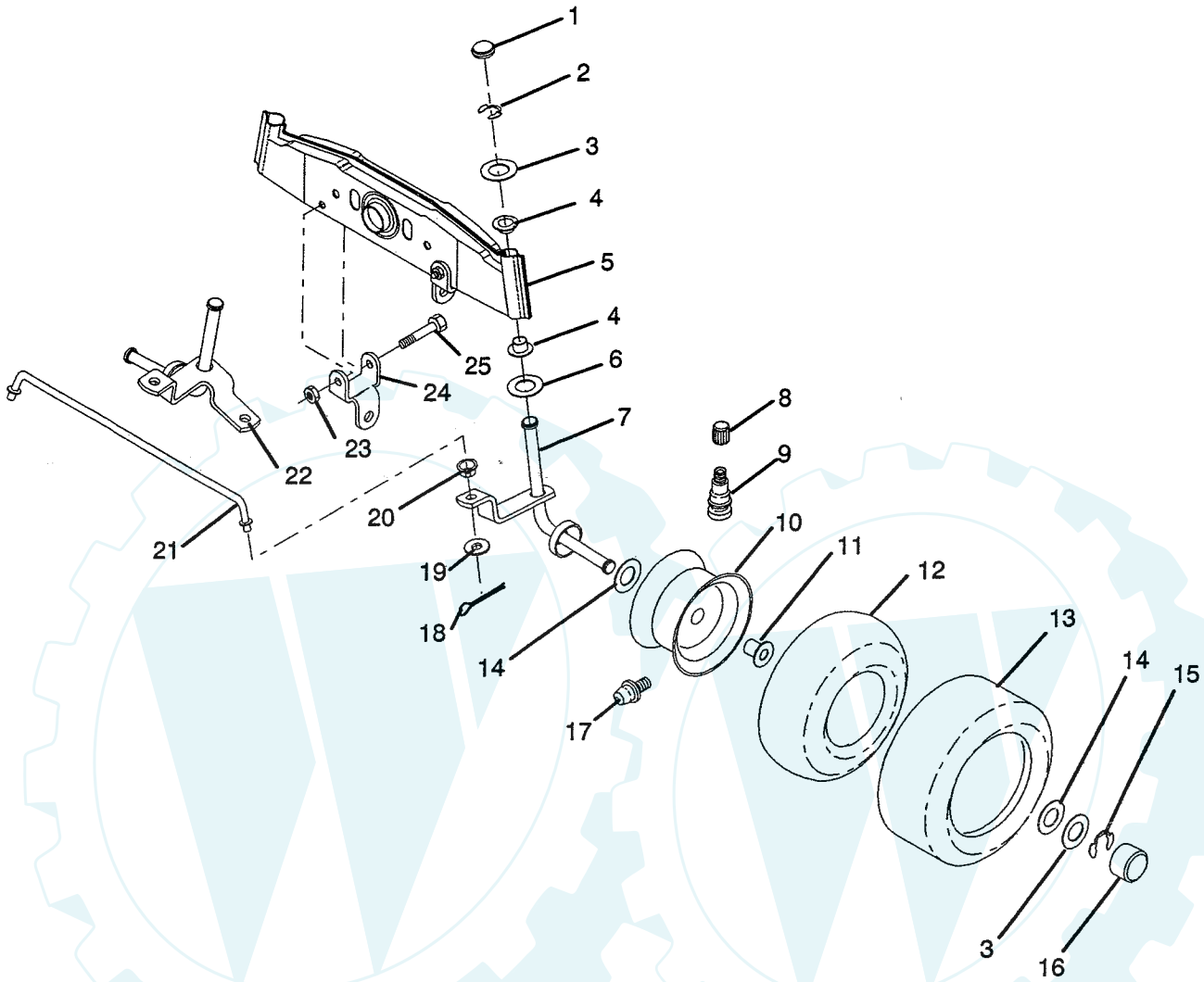
KEY NO.	PART NO.	DESCRIPTION
12	126847X	Bushing
13	74760512	Bolt, Hex Hd. 5/16-18 UNC x 3/4
14	19111416	Washer 11/32 x 7/8 x 16 Gauge
15	72110606	Bolt, Carriage 3/8-16 UNC x 3/4
16	72140622	Bolt, Carriage
17	121912X	Support, Front Axle
18	73220600	Nut, Fin. Hex 3/8-16 UNC
19	73930600	Nut, Centerlock 3/8-16 UNC
20	73680600	Nut, Crownlock 3/8-16 UNC
21	73680500	Nut, Crownlock 5/16-18

NOTE: All component dimensions given in U.S. inches
1 inch = 25.4 mm

HARDWARE SHOWN LARGER FOR EASIER IDENTIFICATION

ILLUSTRATED PARTS BREAKDOWN

FRONT AXLE



KEY NO.	PART NO.	DESCRIPTION
1	121232X	Cap, Spindle
2	12000029	Ring, Clip
3	121748X	Washer 25/32 x 1-5/8 x 16 Ga.
4	121922X	Nyliner
5	121914X	Axle, Front
6	6266H	Bearing, Thrust
7	121919X	Spindle, R.H. Assembly
8	59192	Cap, Valve
9	65139	Stem, Valve
10	122394X311	Rim
11	9040H	Bearing, Flange
12	59904	Tube
13	123410X	Tire, Front
14	121749X	Washer 25/32 x 1-1/4 x 16 Ga.
15	12000029	Ring, Clip

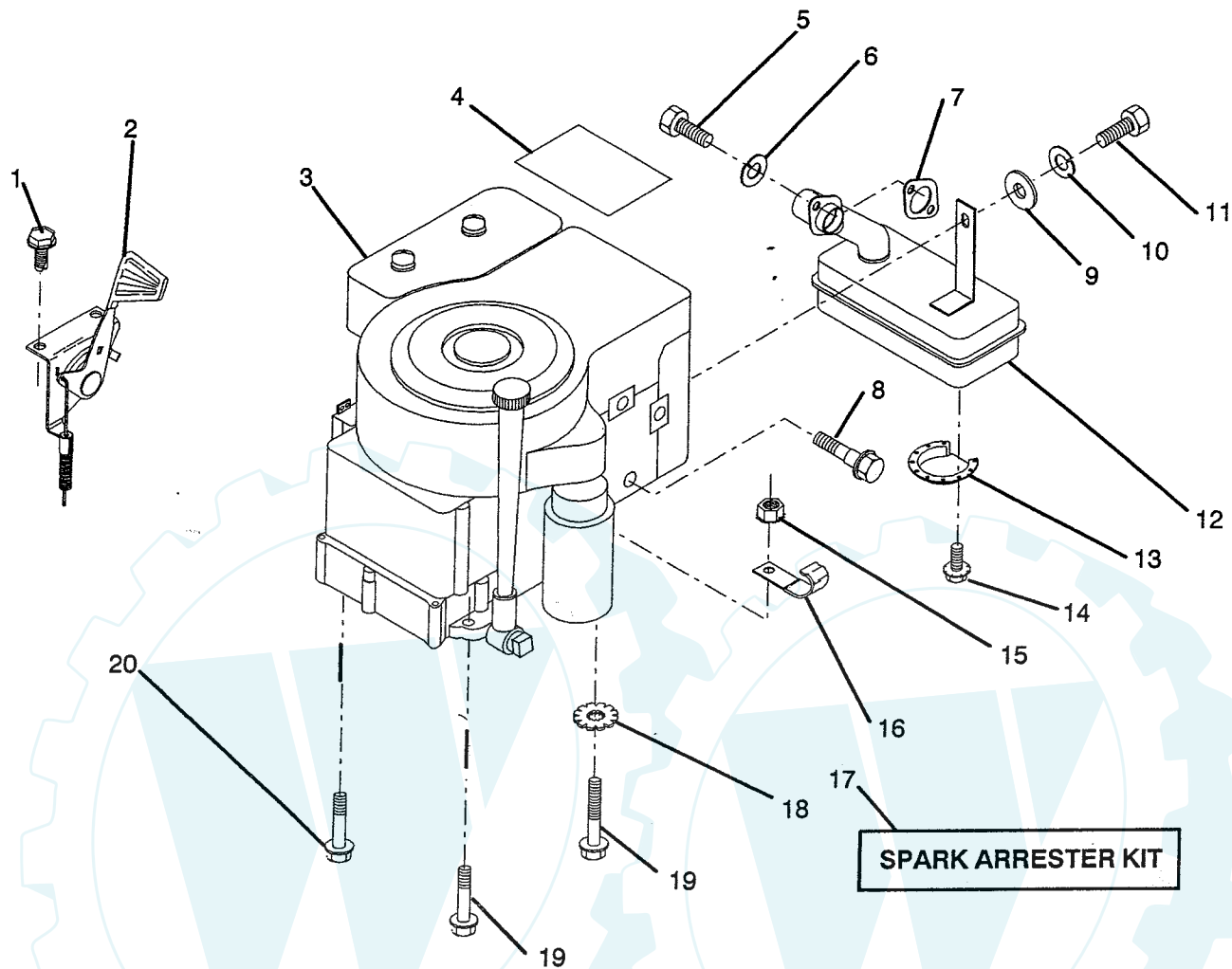
KEY NO.	PART NO.	DESCRIPTION
16	104757X	Cap, Hub
17	278H	Fitting, Grease
18	76020412	Pin, Cotter 1/8 x 3/4
19	19131316	Washer 13/32 x 13/16 x 16 Ga.
20	126847X	Bushing
21	121924X	Rod, Tie
22	121916X	Spindle, Assembly, L.H.
23	73680500	Nut, Crownlock 5/16-18
24	121915X	Bracket, Front Stabilizer Link
25	74760540	Bolt, Hex, Fin. 5/16-18 UNC x 2-1/2

NOTE: All component dimensions given in U.S. inches
1 inch = 25.4 mm

HARDWARE SHOWN LARGER FOR EASIER IDENTIFICATION

ILLUSTRATED PARTS BREAKDOWN

ENGINE / THROTTLE



KEY NO.	PART NO.	DESCRIPTION
1	17720408	Screw, Hex Thd. Cut 1/4-20 x 1/2
2	122014X	Control, Throttle
3	124136X	Engine, Briggs and Stratton, Model Number 281707, Type Number 0412-01
4	120601X	Decal, Engine
5	71070512	Screw, Hex Hd. Cap 5/16-18 x 3/4
6	10040500	Washer, Lock, Heavy Helical Spring 5/16
7	125593X	Gasket, Exhaust
8	121094X	Bolt, Shoulder 5/16
9	19101216	Washer 5/16 x 3/4 x 16 Gauge
10	10040400	Washer, Lock, Heavy Helical Spring 1/4
11	74780412	Bolt, Hex Fin. 1/4-20 UNC x 3/4

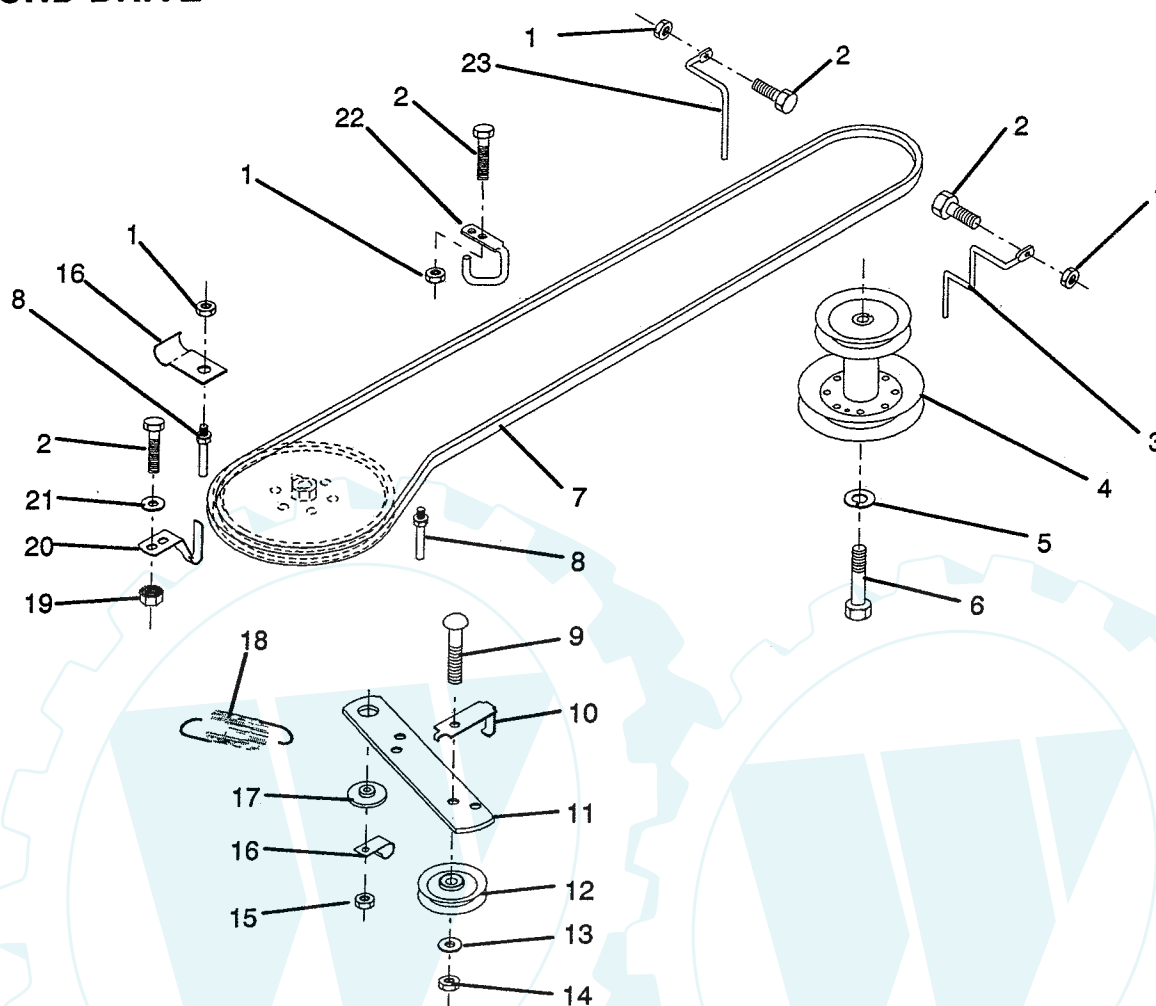
KEY NO.	PART NO.	DESCRIPTION
12	124097X	Muffler
13	101326L	Deflector, Muffler
14	17030808	Screw, Spiderlock Hex Head #8 x 1/2 ABTPS
15	73510600	Nut, Keps 3/8-16
16	2751R	Clip, Fuel Line
17	121851X	Arrestor, Spark (optional equipment)
18	11050600	Lockwasher, External Tooth 3/8
19	17490632	Screw, Hex Washer Head Thd. Roll. 3/8-16 x 2
20	17490624	Screw, Hex Washer Head, Thd. Roll. 3/8-16 x 1 1/2

NOTE: All component dimensions given in U.S. inches
1 inch = 25.4 mm

HARDWARE SHOWN LARGER FOR EASIER IDENTIFICATION

ILLUSTRATED PARTS BREAKDOWN

GROUND DRIVE



KEY NO.	PART NO.	DESCRIPTION
1	73680500	Nut, Crownlock 5/16-18
2	74760512	Bolt, Hex Hd. 5/16-18 UNC x 3/4
3	123448X	Keeper, Mower Drive Belt, Engine, R.H.
4	123400X	Pulley, Engine
5	10040700	Washer, Lock, Heavy Helical Spring 7/16
6	71130720	Bolt, Fin. Hex 7/16-20 UNF x 1-1/4 Grade 8
7	124525X	Traction, V-Belt Drive
8	123405X	Keeper, T/A Ground Drive Belt
9	72140612	Bolt, Rdhd. 3/8-16 UNC x 1-1/2
10	123396X	Keeper, Ground Drive Belt, Idler
11	123395X	Arm, Ground Drive Clutch
12	4859J	Idler, Flat

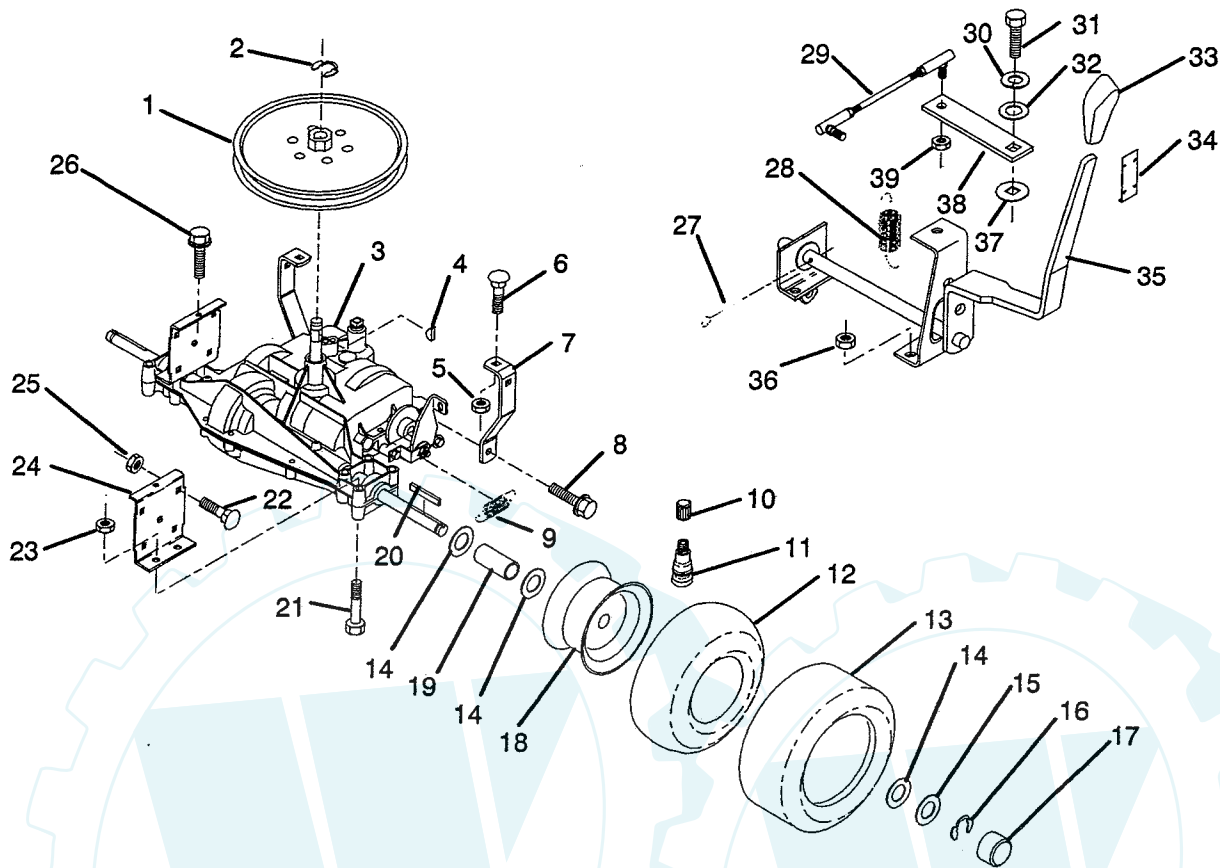
KEY NO.	PART NO.	DESCRIPTION
13	19131316	Washer 13/32 x 13/16 x 16 Ga.
14	73930600	Nut, Centerlock 3/8-16 UNC
15	73680600	Nut, Crownlock 3/8-16 UNC
16	126471X	Clip, Insulated
17	122052X	Spacer, Retainer
18	123397X	Spring, Extension
19	73510500	Nut, Keps 5/16-18 UNC
20	123891X	Keeper, T/A Ground Drive Belt
21	19111016	Washer 11/32 x 5/8 x 16 Gauge
22	123404X	Keeper, Frame Ground Drive Belt
23	123402X	Keeper, Engine Mower Drive Belt, L.H.

NOTE: All component dimensions given in U.S. inches
1 inch = 25.4 mm

HARDWARE SHOWN LARGER FOR EASIER IDENTIFICATION

ILLUSTRATED PARTS BREAKDOWN

TRANSAXLE



KEY NO.	PART NO.	DESCRIPTION
1	123385X	Pulley
2	12000028	Ring, Retainer
3	123655X	Transaxle, Foote, 6 Speed, Model Number 4360-18
4	2228M	Key, Woodruff #9
5	73680500	Nut, Crownlock 5/16-18
6	72140506	Bolt, Carriage 5/16-18 UNC x 3/4
7	123378X	Strap, Torque
8	17490508	Screw, Hex, Threaded, Roll. 5/16-18 x 1/2
9	110422X	Spring, Brake
10	59192	Cap, Valve
11	65139	Stem, Valve
12	8134H	Tube
13	106230X	Tire, Rear
14	121749X	Washer 25/32 x 1-1/4 x 16 Ga.
15	121748X	Washer 25/32 x 1-5/8 x 16 Ga.
16	12000001	E-Ring
17	104757X	Hub, Cap
18	123412X311	Rim
19	123409X	Spacer
20	123583X	Key, Square
21	74760644	Bolt, Fin, Hex 3/8-16 x 2-3/4

KEY NO.	PART NO.	DESCRIPTION
22	72140506	Bolt, Carriage 5/16-18 UNC x 3/4
23	73680600	Nut, Crownlock 3/8-16
24	123377X	Bracket, Transaxle
25	73680500	Nut, Crownlock 5/16-18
26	17490512	Screw 5/16-18 x 3/4
27	76020416	Pin, Cotter 1/8 X 1
28	123393X	Spring, Extension
29	123632X	Link, Shift
30	10040400	Washer, Lock, Heavy Helical Spring 1/4
31	71040412	Bolt, Fin, Hex 1/4-28 UNF x 3/4 Grade 8
32	19091210	Washer 9/32 x 3/4 x 10 Ga.
33	122011X	Knob, Shift Control
34	123692X	Knob, Retainer
35	128202	Assembly, Shift Handle
36	73510500	Nut, Keps 5/16-18
37	105701X	Washer, Shift Plate
38	123539X	Arm, Shift
39	73810500	Nut, Hex, Nylon 5/16-24

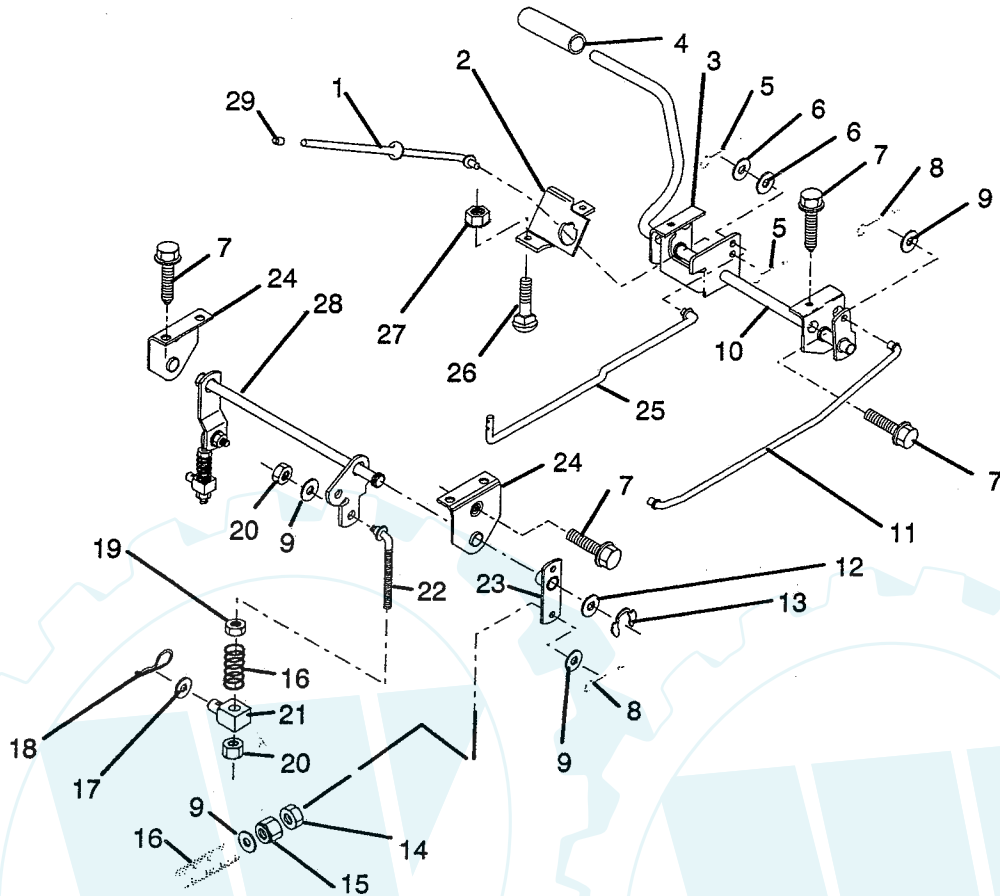
NOTE: All component dimensions given in U.S. inches
1 inch = 25.4 mm

HARDWARE SHOWN LARGER FOR EASIER IDENTIFICATION

ILLUSTRATED PARTS BREAKDOWN

www.ersatzteil-service.de

BRAKE / REAR MOWER LIFT ASSEMBLY



KEY NO.	PART NO.	DESCRIPTION
1	123436X	Rod, Parking Brake
2	123437X	Bracket, Parking Brake
3	122504X	Bracket, Clutch Pedal, L.H.
4	8883R	Cover, Pedal
5	76020312	Pin, Cotter
6	19131016	Washer 13/32 x 5/8 x 16 Gauge
7	17490508	Screw, Hex, Thd. Roll. 5/16-18 x 1/2
8	76020412	Pin, Cotter
9	19131316	Washer 13/32 x 13/16 x 16 Ga.
10	129657	Assembly, Clutch/Brake Pedal
11	123543X	Rod, Front Brake
12	19251816	Washer 25/32 x 1-1/8 x 16 Ga.
13	12000034	Ring, Clip
14	73350600	Nut, Hex Jam 3/8-16 UNC
15	73800600	Locknut, Hex with Washer Insert 3/8-16 UNC
16	106888X	Spring, Brake Rod

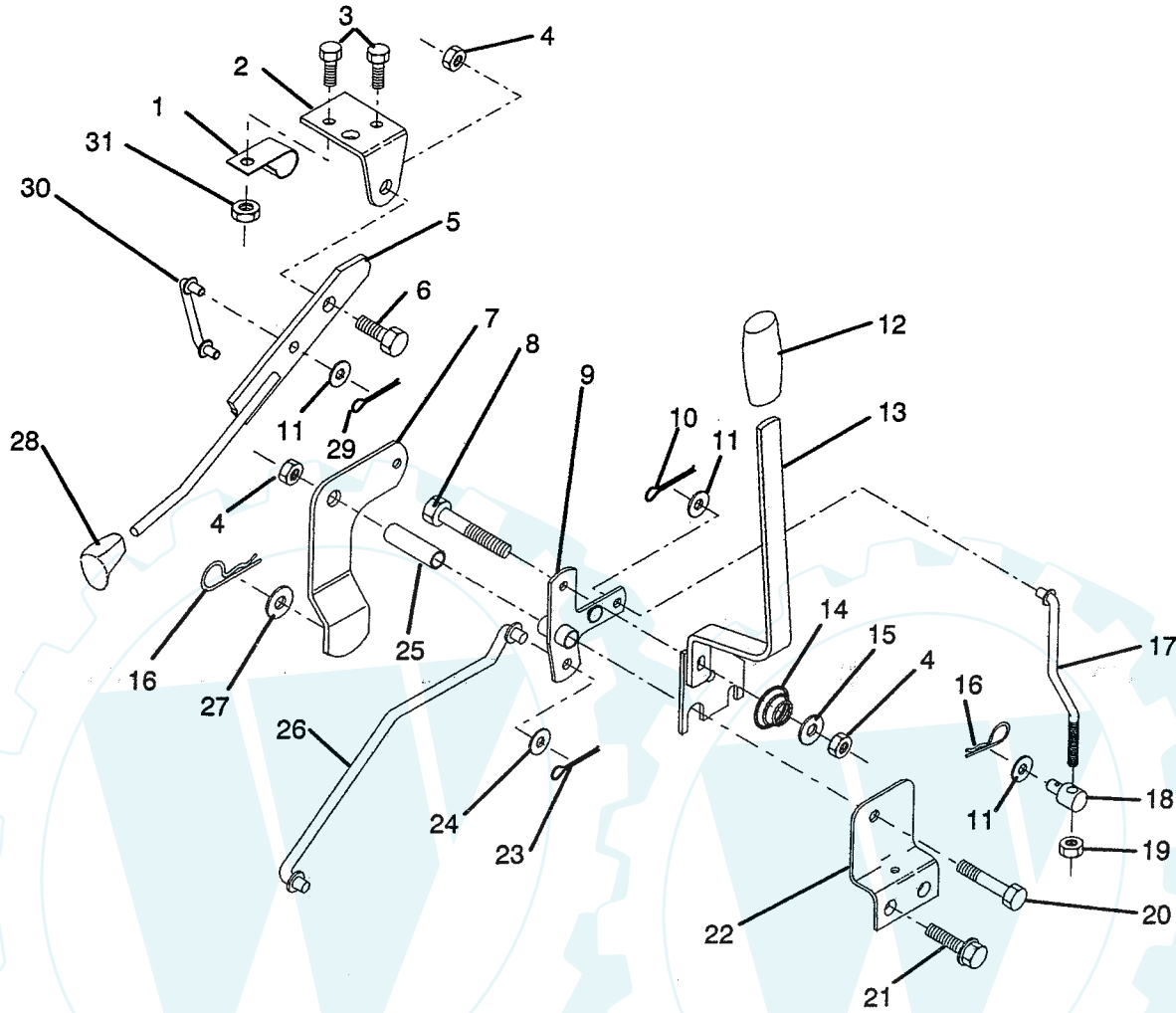
KEY NO.	PART NO.	DESCRIPTION
17	19132012	Washer 13/32 x 1-1/4 x 12 Ga.
18	4921H	Spring, Retainer
19	73930600	Nut, Centerlock 3/8-16 UNC
20	73680600	Nut, Crownlock 3/8-16 UNC
21	106204X	Trunnion, Lift
22	123672X	Link, Threaded
23	123641X	Assembly, Brake Pivot Arm
24	121978X	Bracket, Lift Shaft
25	123394X	Rod, Clutch
26	72110506	Bolt, Carriage 5/16-18 UNC x 3/4
27	73510500	Nut, Keps 5/16-18 UNC
28	123547X	Assembly, Rear Mower Lift
29	71673	Cap, Plunger

NOTE: All component dimensions given in U.S. inches
1 inch = 25.4 mm

HARDWARE SHOWN LARGER FOR EASIER IDENTIFICATION

ILLUSTRATED PARTS BREAKDOWN

MOWER LIFT LEVER



KEY NO.	PART NO.	DESCRIPTION
1	126470X	Clip, Insulated
2	122018X	Bracket, Mower Clutch
3	74780408	Bolt, Fin. Hex 1/4-20 UNC x 1/2 Grade 5
4	73680600	Nut, Crownlock 3/8-16 UNC
5	123417X	Assembly, Clutch Lever
6	106451X	Bolt, Shoulder
7	123491X	Assembly, Mower Clutch Arm
8	74760636	Bolt, Hex 3/8-16 UNC x 2-1/4
9	121930X	Assembly, Bellcrank Lift
10	76020412	Pin, Cotter 1/8 x 3/4
11	19131316	Washer 13/32 x 13/16 x 16 Ga.
12	122027X	Grip, Handle
13	127028	Assembly, Lift Handle
14	123496X	Spring, Compression
15	19131212	Washer 13/32 x 3/4 x 12 Gauge
16	4921H	Retainer, Spring
17	123654X	Link, Front Lift
18	7078J	Trunnion, Threaded 3/8-16

KEY NO.	PART NO.	DESCRIPTION
19	73350600	Nut, Hex, Jam 3/8 x 16 UNC
20	74760644	Bolt, Fin. Hex 3/8-16 UNC x 2-3/4
21	17490508	Screw, Hex, Threaded, Roll. 5/16-18 x 1/2
22	121929X	Bracket, Mower Height
23	76020416	Pin, Cotter 1/8 x 1
24	19171616	Washer 17/32 x 1 x 16 Gauge
25	121933X	Tube, Spacer
26	121934X	Rod, Mower Lift
27	19131316	Washer 13/32 x 13/32 x 16 Ga.
28	121466X	Knob
29	76020312	Pin, Cotter 3/32 x 3/4
30	123671X	Link, Mower Clutch
31	73680400	Nut, Crownlock 1/4-20

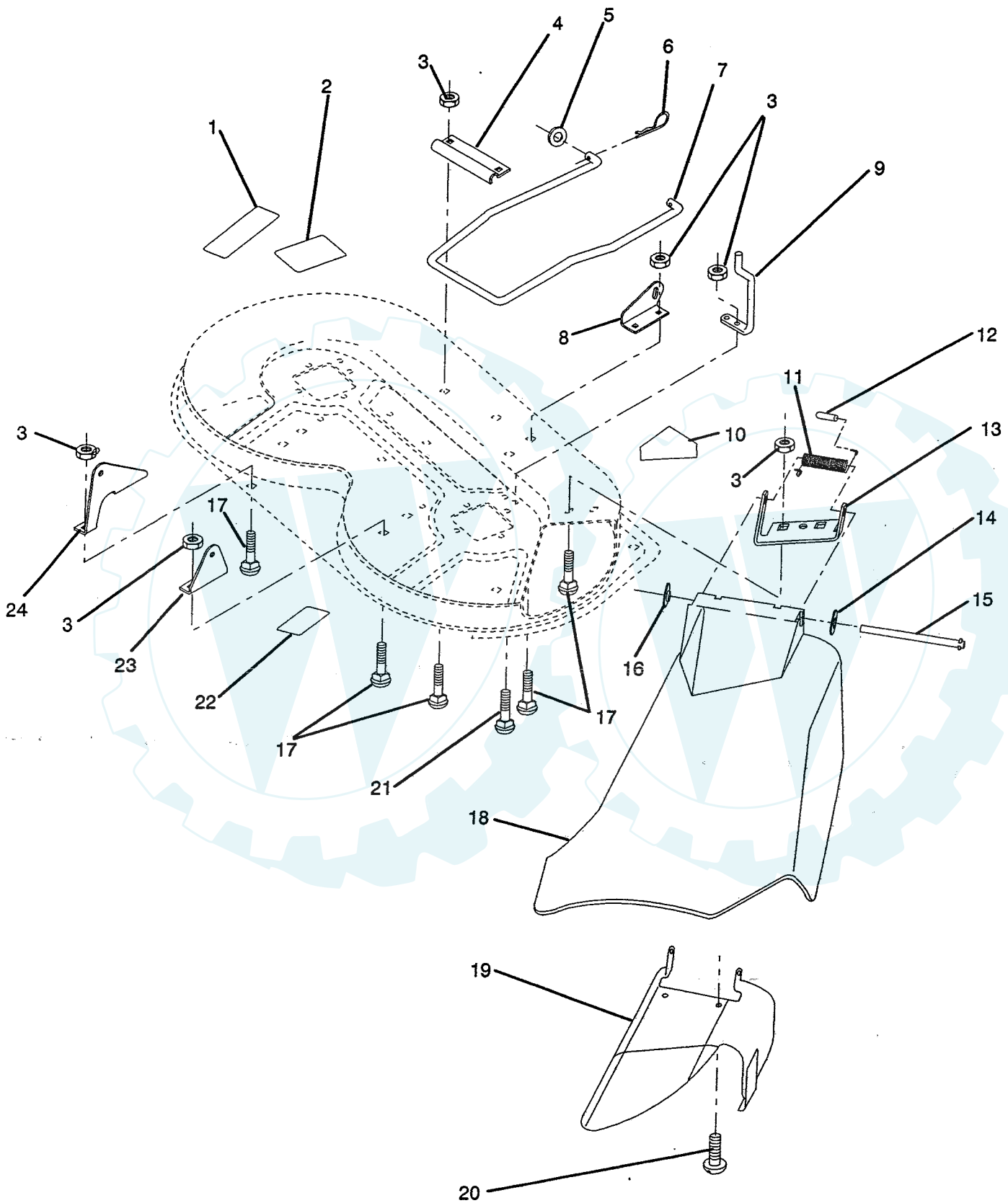
NOTE: All component dimensions given in U.S. inches
1 inch = 25.4 mm

HARDWARE SHOWN LARGER FOR EASIER IDENTIFICATION

ILLUSTRATED PARTS BREAKDOWN

MOWER DECK

www.ersatzteil-service.de



ILLUSTRATED PARTS BREAKDOWN

MOWER DECK

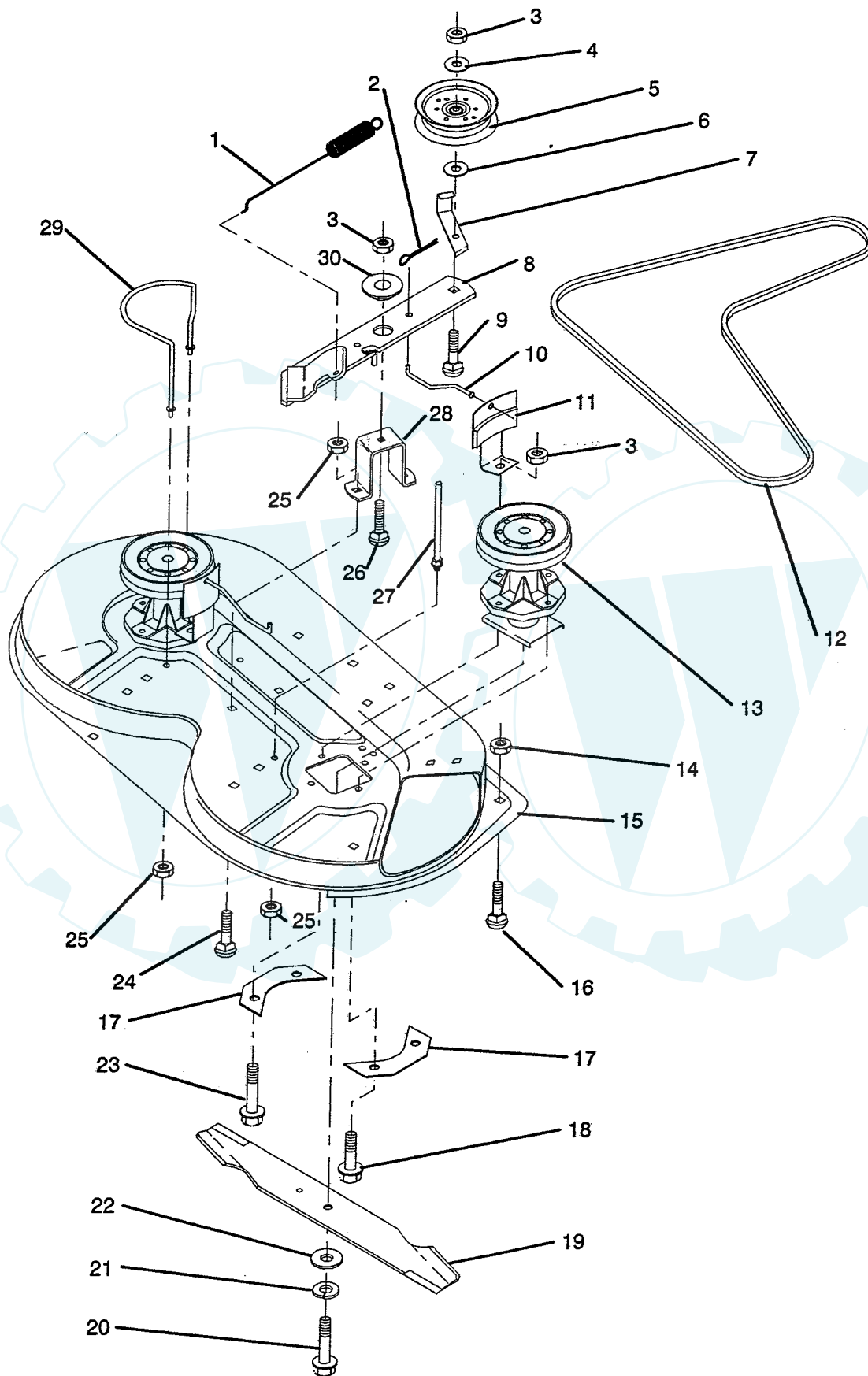
KEY NO.	PART NO.	DESCRIPTION	KEY NO.	PART NO.	DESCRIPTION
1	109820X	Decal, Caution	15	121980X	Rod, Hinge
2	105814X	Decal, V-Belt Mower Drive	16	110452X	Pushnut
3	73680500	Nut Crownlock 5/16-18	17	72140505	Bolt, Carriage 5/16-18 UNC x 5/8
4	122047X	Bracket, Stabilizer Link	18	126370X	Guard, Discharge
5	19171713	Washer 17/32 x 1-1/16 x 13 Ga.	19	125629X	Assembly, Deflector Support
6	3146R	Retainer, Spring	20	17051007	Screw, Pan Head PLT-30
7	124636X	Stabilizer, Mower Link	21	74760512	Bolt, Hex Head 5/16-18 UNC x 3/4
8	122045X	Bracket, Front Lift, R.H.	22	123649X	Decal, Warning
9	123661X	Guide, Front Mandrel, R.H. Mower Belt	23	122043X	Bracket, Rear Lift, R.H.
10	123658X	Decal, Warning	24	122044X	Bracket, Rear Lift, L.H.
11	123713X	Spring, Torsion			
12	105304X	Cap, Sleeve			
13	126361X	Bracket, Deflector			
14	19111016	Washer 11/32 x 5/8 x 16 Gauge			

NOTE: All component dimensions given in U.S. inches
1 inch = 25.4 mm

HARDWARE SHOWN LARGER FOR EASIER IDENTIFICATION

ILLUSTRATED PARTS BREAKDOWN

MOWER DECK



ILLUSTRATED PARTS BREAKDOWN

MOWER DECK

KEY NO.	PART NO.	DESCRIPTION	KEY NO.	PART NO.	DESCRIPTION
1	122028X	Spring, Mower Clutch	19	126338X	Blade, Low Lift
2	76020312	Pin, Cotter 3/32 x 3/4	20	74610624	Bolt, Fin. Hex 3/8-24 UNF x 1-1/2 Grade 5
3	73680600	Nut, Crownlock 3/8-16 UNC	21	10030600	Washer, Lock, Hvy. 3/8
4	19131412	Washer 13/32 x 7/8 x 12 Gauge	22	19132012	Washer 13/32 x 1-1/4 x 12 Ga.
5	121316X	Idler, Flat	23	17490620	Screw, Hex, Threaded, Roll. 3/8-16 x 1-1/4
6	19132203	Washer 13/32 x 1-3/8 3 Gauge	24	72140505	Bolt, Carriage 5/16-18 UNC x 5/8
7	126756X	Guide, Belt	25	73680500	Nut, Crownlock 5/16-18
8	123702X	Assembly, Mower Idler Arm	26	72110608	Bolt, Carriage 3/8-16 UNC x 1 Grade 5
9	72110618	Bolt, Carriage 3/8-16 x 2-1/4	27	123439X	Guide, Rear Belt, R.H.
10	122049X	Rod, Brake	28	122051X	Support, Idler Arm
11	106578X	Assembly, Brake	29	123673X	Guide, Belt, L.H.
12	124293X	V-Belt	30	122052X	Spacer, Retainer
13	124208X	Assembly, Mandrel			
14	73680400	Nut, Crownlock 1/4-20			
15	126410X	Housing, Mower			
16	72140404	Bolt, Carriage 1/4-20 x 1/2			
17	100668L	Support, Plate Jackshaft			
18	17490614	Screw, Hex, Threaded, Roll. 3/8-16 x 7/8			

NOTE: All component dimensions given in U.S. inches
1 inch = 25.4 mm

HARDWARE SHOWN LARGER FOR EASIER IDENTIFICATION