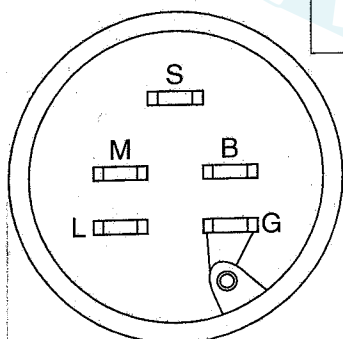
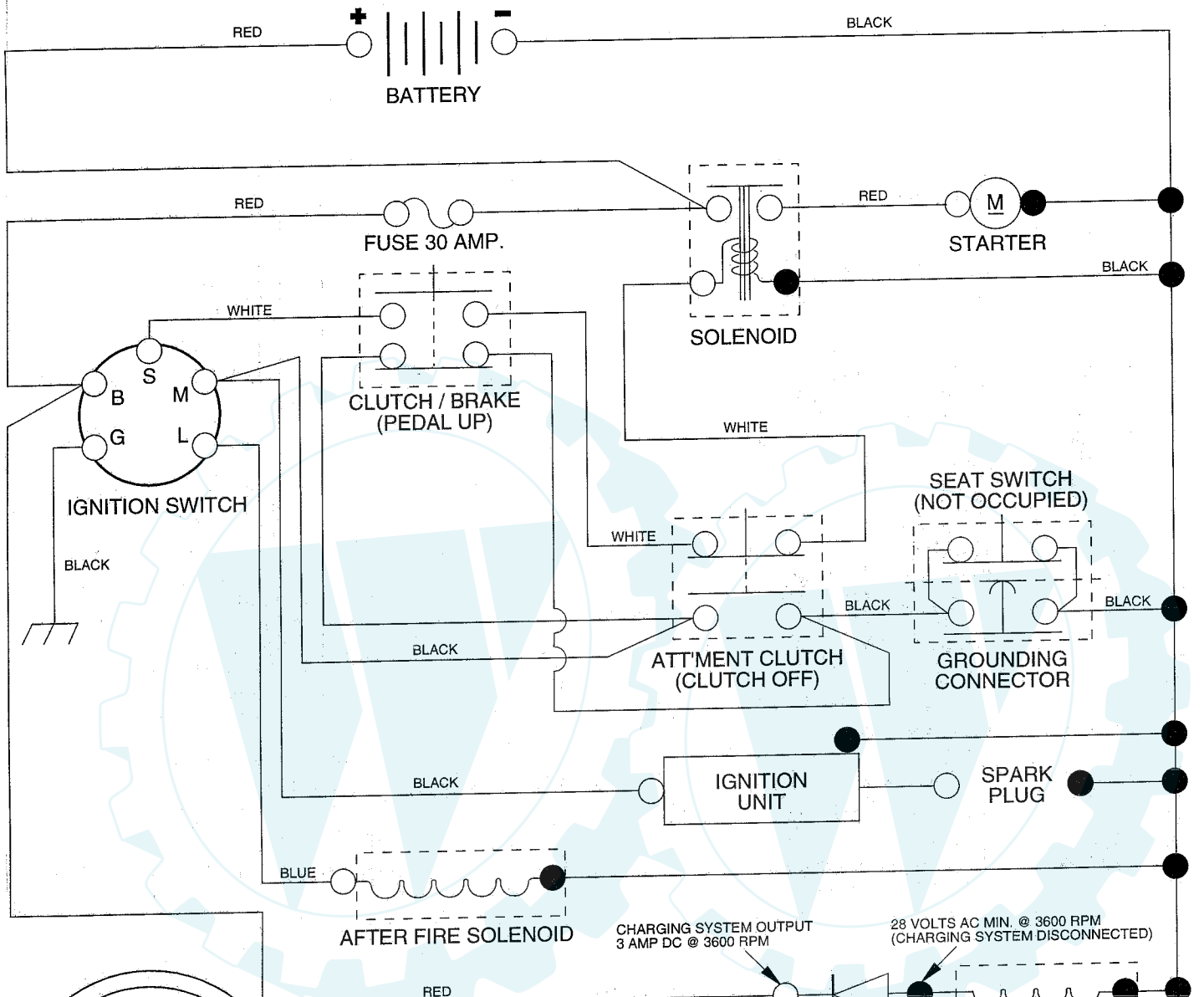


# TRACTOR - - MODEL NUMBER UM15H42E

## SCHEMATIC

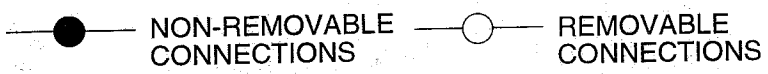


**IGNITION SWITCH**

| POSITION | CIRCUIT   |
|----------|-----------|
| OFF      | M + G     |
| ON       | B + L     |
| START    | B + S + L |

**NOTE**  
 YOUR TRACTOR IS EQUIPPED WITH A SPECIAL ALTERNATOR SYSTEM. THE LIGHTS ARE NOT CONNECTED TO THE BATTERY, BUT HAVE THEIR OWN ELECTRICAL SOURCE. BECAUSE OF THIS, THE BRIGHTNESS OF THE LIGHTS WILL CHANGE WITH ENGINE SPEED. AT IDLE THE LIGHTS WILL DIM. AS THE ENGINE IS SPEEDED UP, THE LIGHTS WILL BECOME THEIR BRIGHTEST.

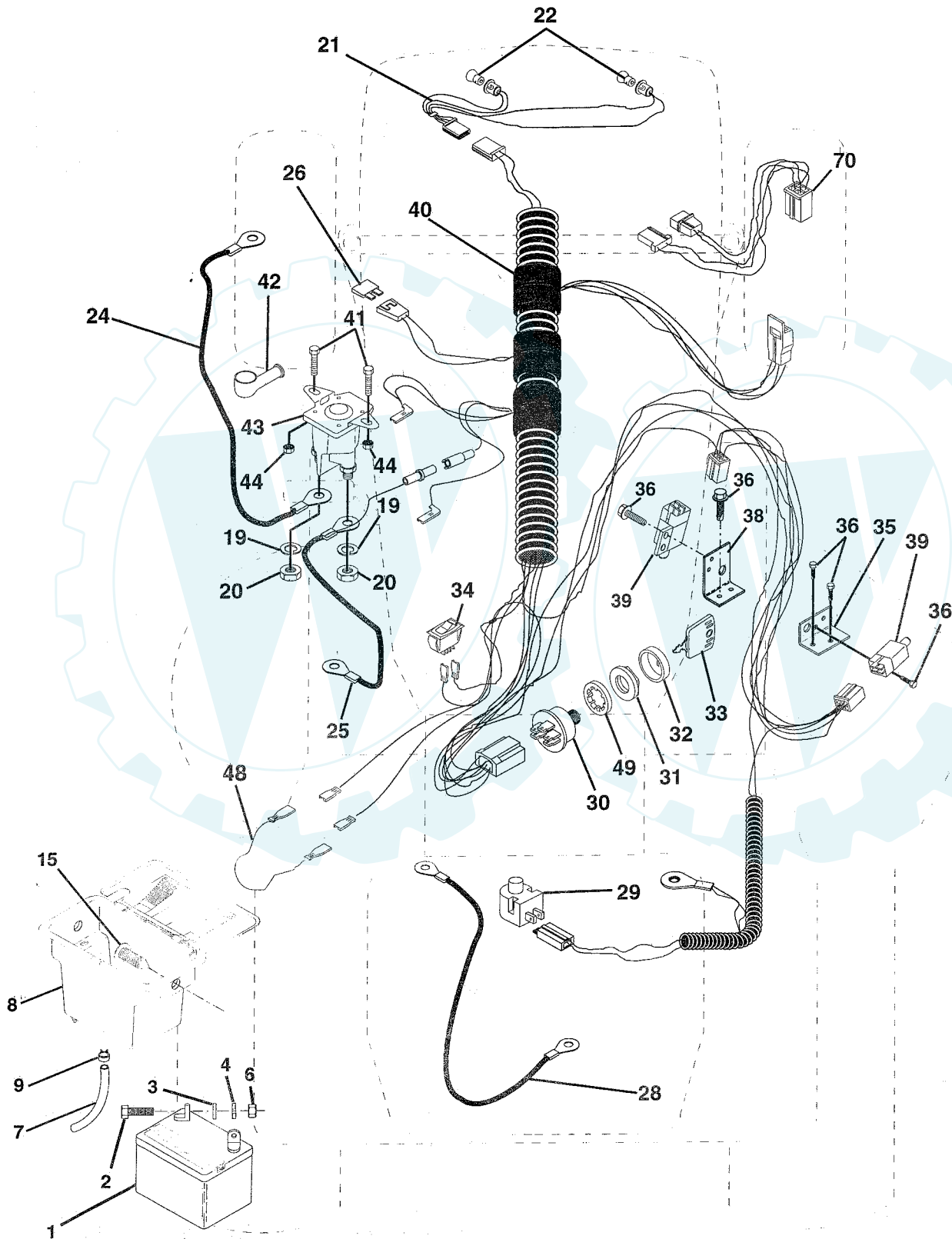
**WIRING INSULATED CLIPS**  
**NOTE:** IF WIRING INSULATED CLIPS WERE REMOVED FOR SERVICING OF UNIT, THEY SHOULD BE REPLACED TO PROPERLY SECURE YOUR WIRING.



# REPAIR PARTS

## TRACTOR -- MODEL NUMBER UM15H42E

### ELECTRICAL



# REPAIR PARTS

## TRACTOR - - MODEL NUMBER UM15H42E

### ELECTRICAL

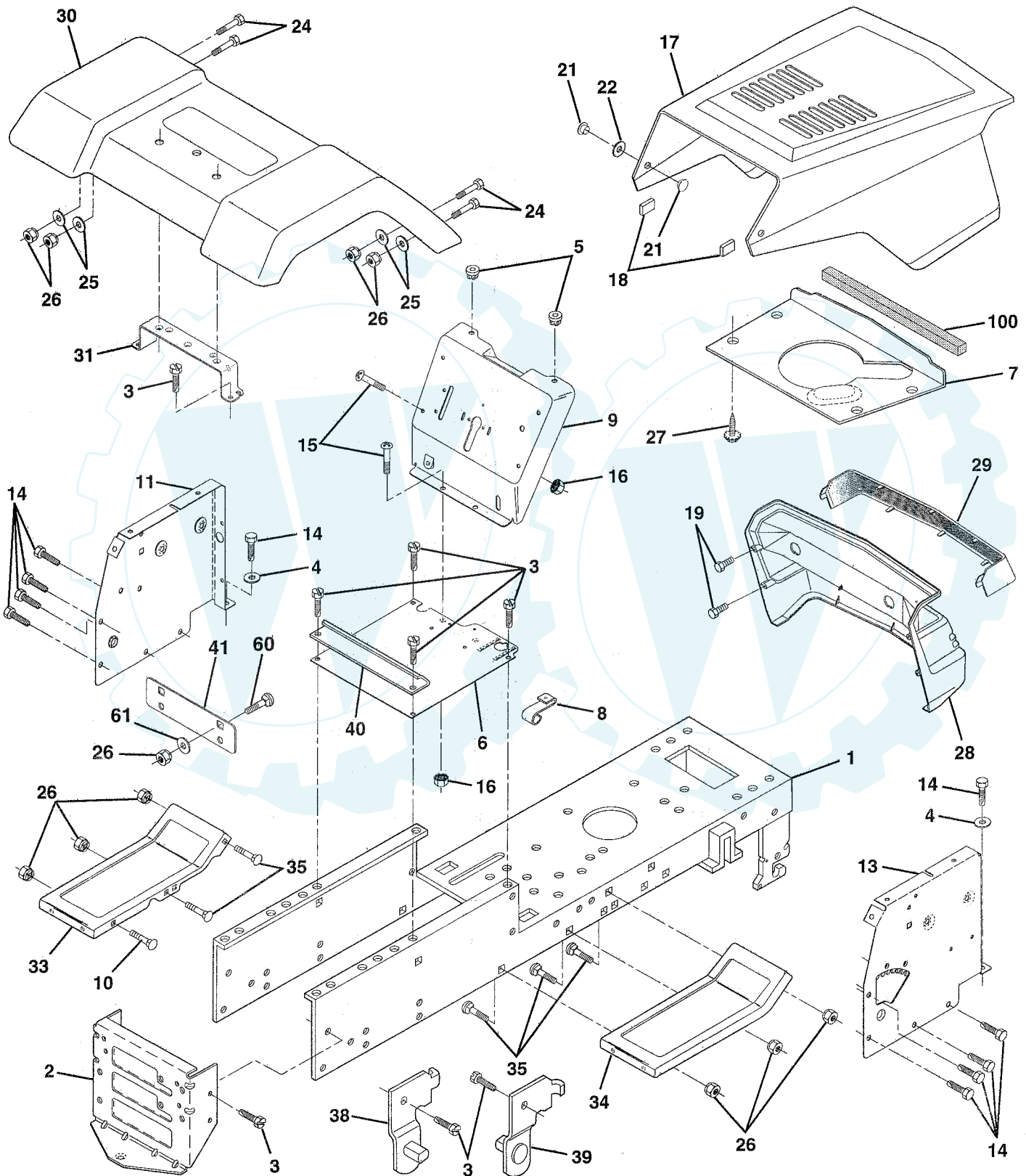
| KEY NO. | PART NO. | DESCRIPTION                          |
|---------|----------|--------------------------------------|
| 1       | 146139   | Battery 12 Volt 25 Amp               |
| 2       | 74760412 | Bolt Hex Hd 1/4-20unc X 3/4          |
| 3       | 19091016 | Washer 9/32 X 5/8 X 16 Ga            |
| 4       | 10040400 | Washer Lock Hvy Helical 1/4          |
| 6       | 73220400 | Nut Fin Hex 1/4-20 Unc               |
| 7       | 109238X  | Tube Plastic 12"                     |
| 8       | 144940   | Case Battery                         |
| 9       | 109596X  | Clamp Hose Olive                     |
| 15      | 147688   | Fastner Snap-In                      |
| 19      | 10090400 | Washer Lock 1/4                      |
| 20      | 73350400 | Nut Jam Hex 1/4-20 Unc               |
| 21      | 136850   | Harness Asm Light W/4152J            |
| 22      | 4152J    | Bulb Light #1156                     |
| 24      | 4799J    | Cable Battery 6 Ga 11"red            |
| 25      | 146147   | Cable Battery 6 Ga 44" w/16 wire red |
| 26      | 108824X  | Fuse 30 AMP Auto Green               |
| 28      | 4207J    | Cable Ground 6 Ga 12" black          |
| 29      | 121305X  | Switch Plunger Nc Gray               |
| 30      | 144921   | Switch Ign 3                         |
| 31      | 140400   | Nut Ignition                         |
| 32      | 141226   | Cover Sw Ignition                    |
| 33      | 140401   | Key Ign                              |
| 34      | 110712X  | Switch Light Blk Blk Red             |
| 35      | 108236X  | Bracket Switch Clutch                |
| 36      | 17021008 | Screw Tap Hex #10-24unc X 1/2        |
| 38      | 140336   | Bracket Switch Interlock             |
| 39      | 109553X  | Switch Intlk Clutch Gry 4 Term       |
| 40      | 146057   | Harness Ign                          |
| 41      | 71110408 | Bolt Blk Fin Hex 1/4-20 x 1/2        |
| 42      | 131563   | Cover Terminal Red                   |
| 43      | 145673   | Solenoid                             |
| 44      | 73640400 | Nut Keps Hex 1/4-20 Unc              |
| 48      | 140844   | Adapter Ammeter Rectangular          |
| 49      | 11151000 | Washer Lock Internal Tooth 5/8       |
| 70      | 140422   | Harness Eng Briggs/Tec Dual          |

**NOTE:** All component dimensions give in U.S. inches  
1 inch = 25.4 mm.

# REPAIR PARTS

## TRACTOR - - MODEL NUMBER UM15H42E

### CHASSIS AND ENCLOSURES



# REPAIR PARTS

## TRACTOR - - MODEL NUMBER UM15H42E

### CHASSIS AND ENCLOSURES

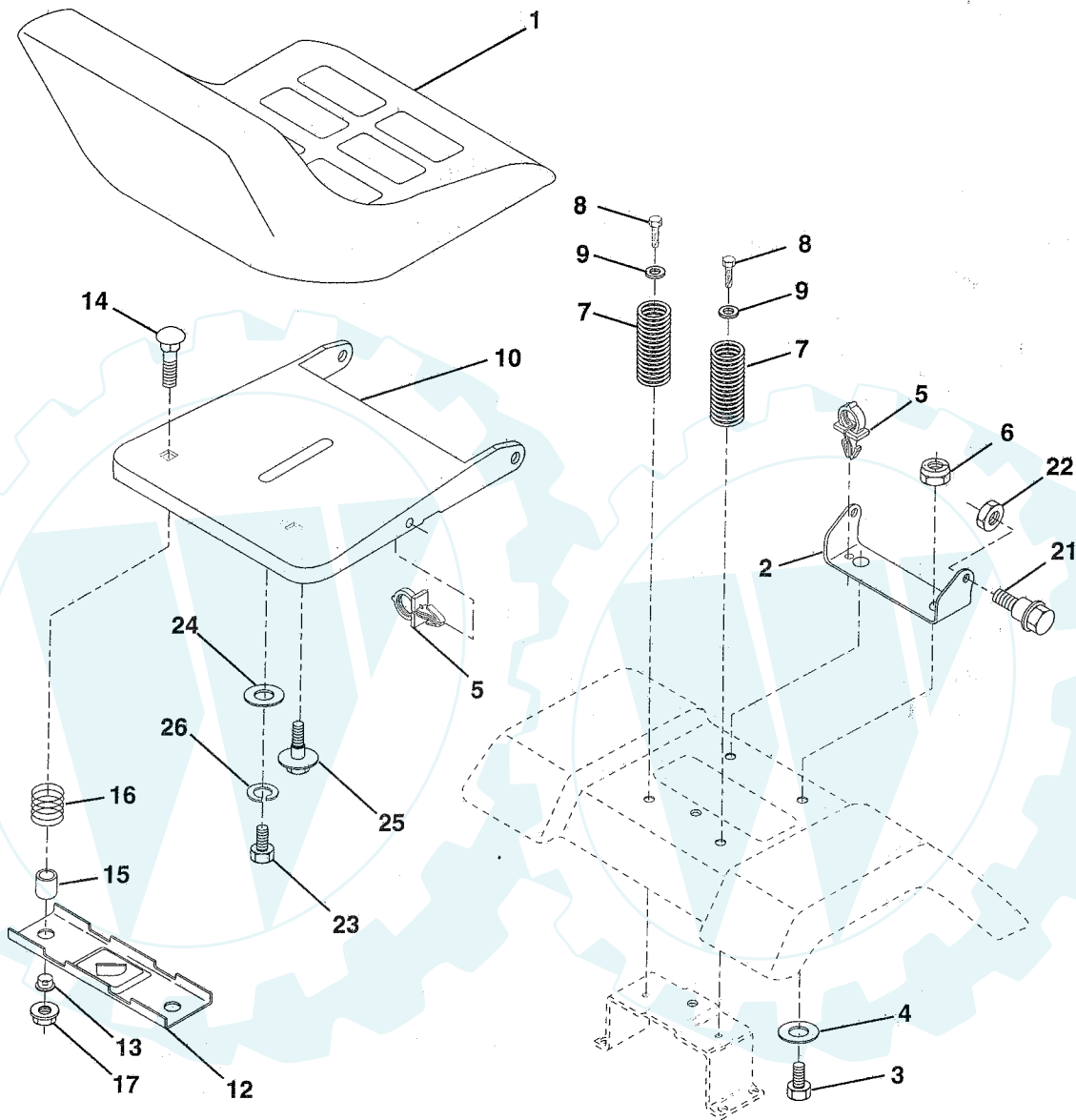
| KEY NO. | PART NO.   | DESCRIPTION                                |
|---------|------------|--|
| 1       | 145501     | Chassis Wldmt 11" Ga                       |
| 2       | 140356     | Drawbar                                    |
| 3       | 17490612   | Screw Thdrol 3/8-16x3/4 Ty-tt              |
| 4       | 19131216   | Washer 13/32 X 3/4 X 16 Ga                 |
| 5       | 146077     | Bumper Snap-In                             |
| 6       | 145206     | Saddle FD/SHF                              |
| 7       | 126842X    | Shield Ht. Hood Kohl/Dia Engine            |
| 8       | 126471X    | Clip Insulator .406 Mtg. Hole              |
| 9       | 146757X011 | Dash Silscr 1-pc M NA N/c Sym              |
| 10      | 72140608   | Bolt Carriage 3/8-16 x 1                   |
| 11      | 146956     | Panel Dash LH                              |
| 12      | 11030400   | Washer Lock Internal/External<br>Tooth 1/4 |
| 13      | 146961X012 | Panel Dash RH Silscr                       |
| 14      | 17490608   | Screw Thdrol 3/8-16x1/2 Ty-tt              |
| 15      | 74180512   | Screw Mach TRHD 5/16-18uncx 3/4            |
| 16      | 73510500   | Nut Keps 5/16-18 Unc                       |
| 17      | 134369X505 | Hood Asm Pnt LT Slope                      |
| 18      | 126938X    | Bumper Hood                                |
| 19      | 17411310   | Screw Hex Wsh #13-16 Hi-Lo x 5/8           |
| 21      | 122933X    | Rivet Ratchet Nylon                        |
| 22      | 124479X    | Washer Nylon Blk .28 x .75 x .19           |
| 24      | 74780616   | Bolt Fin Hex 3/8-16unc X1 Gr. 5            |
| 25      | 19131312   | Washer 13/32 X 13/16 X 12 Ga               |
| 26      | 73800600   | Nut Lock Hex W/wsh 3/8-16 UNC              |
| 27      | 17030808   | Screw Spiderloc Hex Hd #8 x 1/2            |
| 28      | 140137     | Grille Black MS-428                        |
| 29      | 124029X    | Lens Grille HI Bar Clear LT                |
| 30      | 140001X505 | Fender Pnt LT                              |
| 31      | 139976     | Bracket Support Fender                     |
| 33      | 145244X505 | Footrest Pnt LH Ms-505                     |
| 34      | 145243X505 | Footrest Pnt RH Ms-505                     |
| 35      | 72110606   | Bolt Rdhd Sht Sqnk 3/8-16 X3/4             |
| 38      | 139886     | Bracket Asm Pvt42 LH MWR Rear              |
| 39      | 139887     | Bracket Asm Pvt42 RH MWR Rear              |
| 40      | 139977     | Spacer Fender Raised Lt                    |
| 41      | 139978     | Plate Extension Fender Lt                  |
| 60      | 72140606   | Bolt Rdhd Sqnk 3/8-16 x 3/4                |
| 61      | 19171416   | Washer 17/32 x 7/8 x 16 Ga.                |
| 100     | 105037X    | Strip Foam 18"                             |
| --      | 5479J      | Piug Button Blk 359 Dia Choke              |

**NOTE:** All component dimensions are given in U.S. inches  
1 inch = 25.4 mm.

# REPAIR PARTS

## TRACTOR - - MODEL NUMBER UM15H42E

### SEAT ASSEMBLY



| KEY NO. | PART NO. | DESCRIPTION                    |
|---------|----------|--------------------------------|
| 1       | 127428   | Seat                           |
| 2       | 140551   | Bracket Pivot Seat             |
| 3       | 74760616 | Bolt Hex 3/8 - 16 X 1          |
| 4       | 19131610 | Washer 13/32 X 1"              |
| 5       | 145006   | Clip Push-In                   |
| 6       | 73800600 | NuT, Lock Hex W/Wsh 3/8-16 Unc |
| 7       | 124181X  | Spring Seat Cprsn 2 250 Blk Zi |
| 8       | 17490616 | Screw Thdrol 3/8-16 X 1 Ty-tt  |
| 9       | 19131614 | Washer 13/32 X 1 X 14 Ga       |
| 10      | 140552   | Pan Seat                       |
| 12      | 121246X  | Bracket Mounting Switch        |
| 13      | 121248X  | Bushing Snap Blk Nyl 50 Id     |

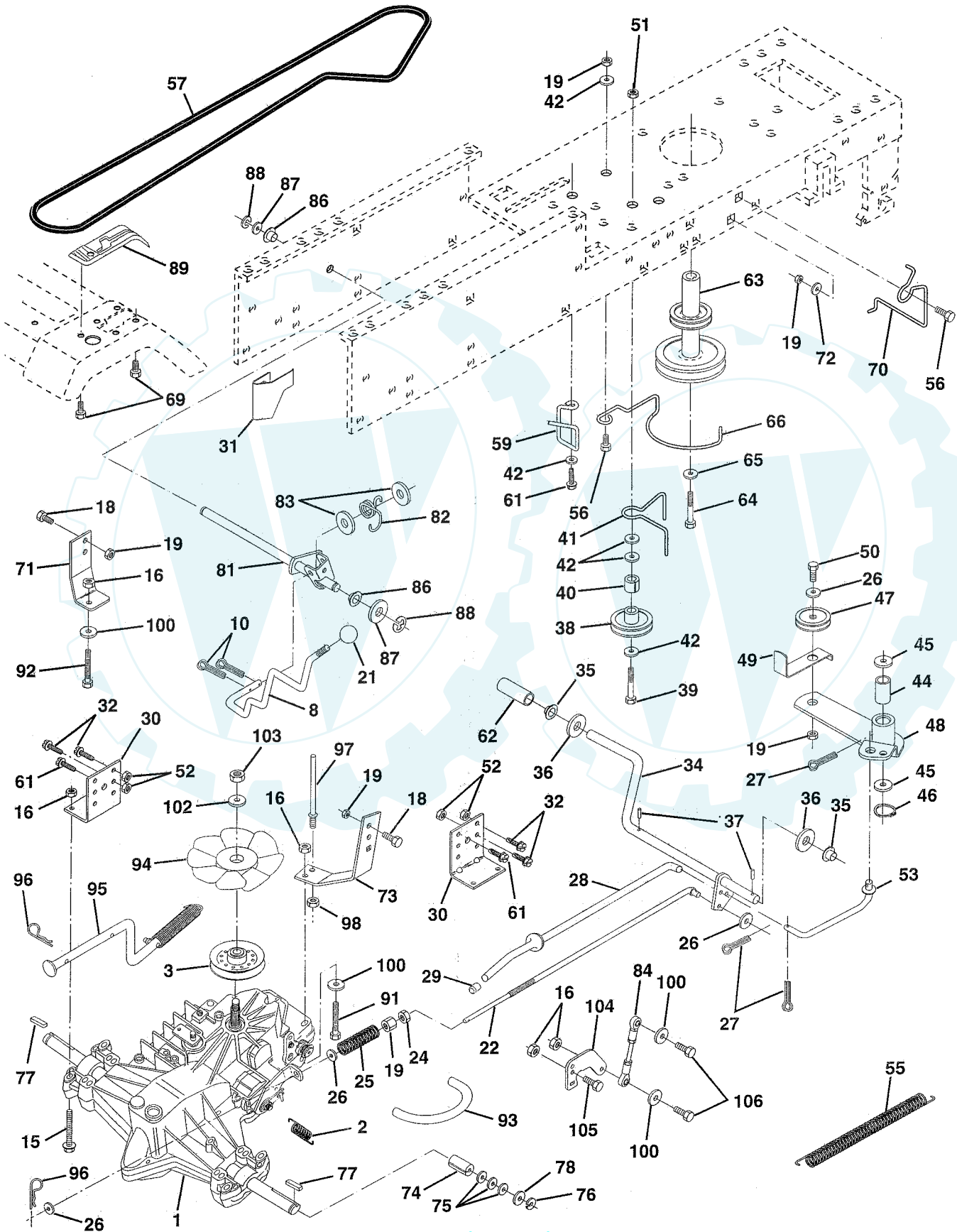
| KEY NO. | PART NO. | DESCRIPTION                    |
|---------|----------|--------------------------------|
| 14      | 72050411 | Bolt Rdhd Sht Nk 1/4-20x1-3/8  |
| 15      | 134300   | Spacer Split 28x96 Zinc        |
| 16      | 121250X  | Spring Cprsn                   |
| 17      | 123976X  | Nut Lock 1/4 Lge Fig Gr 5 Zinc |
| 21      | 139888   | Bolt Shoulder 5/16-18          |
| 22      | 73800500 | Nut Lock Hex w/Ins 5/16-18 Unc |
| 23      | 74780814 | Bolt Fin Hex 1/2-13 X 7/8 Gr 5 |
| 24      | 19171912 | Washer 17/32 X 1-3/16 X 12 Ga  |
| 25      | 127018X  | Bolt Shoulder 5/16-18 X 62     |
| 26      | 10040800 | Washer Lock Hvy Hlcl Spr 1/2   |

**NOTE:** All component dimensions given in U.S. inches  
1 inch = 25.4 mm.

# REPAIR PARTS

## TRACTOR -- MODEL NUMBER UM15H42E

### DRIVE



# REPAIR PARTS

## TRACTOR - - MODEL NUMBER UM15H42E

### DRIVE

| KEY NO. | PART NO. | DESCRIPTION                       | KEY NO. | PART NO. | DESCRIPTION                       |
|---------|----------|-----------------------------------|---------|----------|-----------------------------------|
| 1       | 150071   | Transaxle Assembly                | 59      | 140312   | Keeper, Center Span               |
| 2       | 142431   | Spring, Return, Brake             | 61      | 17490612 | Screw Thdrol. 3/8-16 x 3/4 Ty. TT |
| 3       | 143995   | Pulley, Transaxle                 | 62      | 8883R    | Cover, Pedal                      |
| 8       | 141003   | Rod Shift Hydro LT                | 63      | 140186   | Pulley, Engine                    |
| 10      | 76020416 | Pin Cotter 1/8 x 1 CAD            | 64      | 71170764 | Bolt, Hex                         |
| 15      | 74490544 | Bolt Hex Flghd 5/16-18 Unc        | 65      | 10040700 | Washer                            |
| 16      | 73800500 | Nut Lock Hex W/Ins 5/16-18 Unc P  | 66      | 129921   | Keeper Belt Engine                |
| 18      | 74780616 | Bolt Fin Hex 3/8-16 Unc x 1 Gr. 5 | 69      | 142432   | Screw                             |
| 19      | 73800600 | Nut Lock Hex W/Wsh 3/8-16 Unc     | 70      | 134683   | Keeper Belt Engine                |
| 21      | 106933X  | Knob, Rd. 1/2-13                  | 71      | 140158   | Strap Torque Lh Hydro 18/20" T    |
| 22      | 145627   | Rod, Brake Hydro                  | 72      | 19132012 | Washer 13/32 x 1-1/4 x 12 Gauge   |
| 24      | 73350600 | Nut                               | 73      | 140157   | Strap Torque Rh Hydro 18/20" T    |
| 25      | 106888X  | Spring, Brake Rod                 | 74      | 121199X  | Spacer, Split                     |
| 26      | 19131316 | Washer                            | 75      | 121749X  | Washer 25/32 x 1-1/4 x 16 Gauge   |
| 27      | 76020412 | Pin Cotter 1/8 x 3/4 CAD.         | 76      | 12000001 | E-Ring                            |
| 28      | 145204   | Rod, Parking Brake                | 77      | 123583X  | Key, Square                       |
| 29      | 71673    | Cap, Parking Brake                | 78      | 121748X  | Washer 25/32 x 1-5/8 x 16 Gauge   |
| 30      | 130807   | Bracket, Transaxle                | 81      | 140154   | Shaft Asm. Cross Hydro 20" Tires  |
| 31      | 127275X  | Keeper Belt Lh                    | 82      | 123782X  | Spring Torsion T/A                |
| 32      | 74760512 | Bolt Hex Hd 5/16-18 Unc x 3/4     | 83      | 19171216 | Washer 17/32 x 3/4 x 16 Ga.       |
| 34      | 149001   | Shaft, Foot Pedal                 | 84      | 140548   | Rod, Tie Hydro 20" Tires          |
| 35      | 120183X  | Bearing, Nylon                    | 86      | 71208    | Bushing Rod Strig. 629/632 ID     |
| 36      | 19211616 | Washer                            | 87      | 19212016 | Washer 21/32 x 1-1/4 x 16 Ga.     |
| 37      | 1572H    | Pin, Roll                         | 88      | 12000008 | Ring Klip #5304-62                |
| 38      | 123674X  | Pulley, Idler, Flat               | 89      | 139988   | Console, Shift                    |
| 39      | 74760644 | Bolt                              | 91      | 74780536 | Bolt Fin Hex 5/16-18 x 2-1/4      |
| 40      | 4470J    | Spacer, Split                     | 92      | 74780524 | Bolt Fin Hex 5/6-18 Unc x 1-1/2   |
| 41      | 109070X  | Keeper, Belt Retainer             | 93      | 142564   | Line Fuel Hydro 4"                |
| 42      | 19131312 | Washer 13/32 x 13/16 x 12 Gauge   | 94      | 140462   | Fan, Hydro 7"                     |
| 44      | 105706X  | Bearing, Nylon                    | 95      | 144643   | Control, Asm. Bypass Hydro        |
| 45      | 110812X  | Washer, Hardened                  | 96      | 4497H    | Retainer Spring 1" Zinc/Cad       |
| 46      | 12000039 | Ring, Klip                        | 97      | 140469   | Keeper Bolt Rh Hydro 0750. 18/20" |
| 47      | 127783   | Pulley, Idler, V-Groove           | 98      | 73510600 | Nut Keps Hex 3/8-16 Unc           |
| 48      | 123789X  | Bellcrank Assembly                | 100     | 19111216 | Washer 11/32 x 3/4 x 16 Ga.       |
| 49      | 123205X  | Retainer, Belt                    | 102     | 141322   | Washer Bellville .501D x 1.50D    |
| 50      | 74760624 | Bolt                              | 103     | 73940800 | Nut Hex Jam Toplock 1/2-20 Unf    |
| 51      | 73680600 | Nut Crownlock 3/8-16 Unc          | 104     | 140156   | Arm, Control Hydro                |
| 52      | 73680500 | Nut Crownlock 5/16-18 Unc         | 105     | 71070516 | Screw Cap Hex 5/16 x 18 x 1       |
| 53      | 105710X  | Link, Clutch                      | 106     | 74780520 | Bolt Fin Hex 5/16-18 Unc x 1-1/4  |
| 55      | 105709X  | Spring, Return, Clutch            |         |          |                                   |
| 56      | 74760620 | Bolt Fin Hex 3/8-16Unc x 1-1/4    |         |          |                                   |
| 57      | 140294   | V-Belt, Ground Drive              |         |          |                                   |

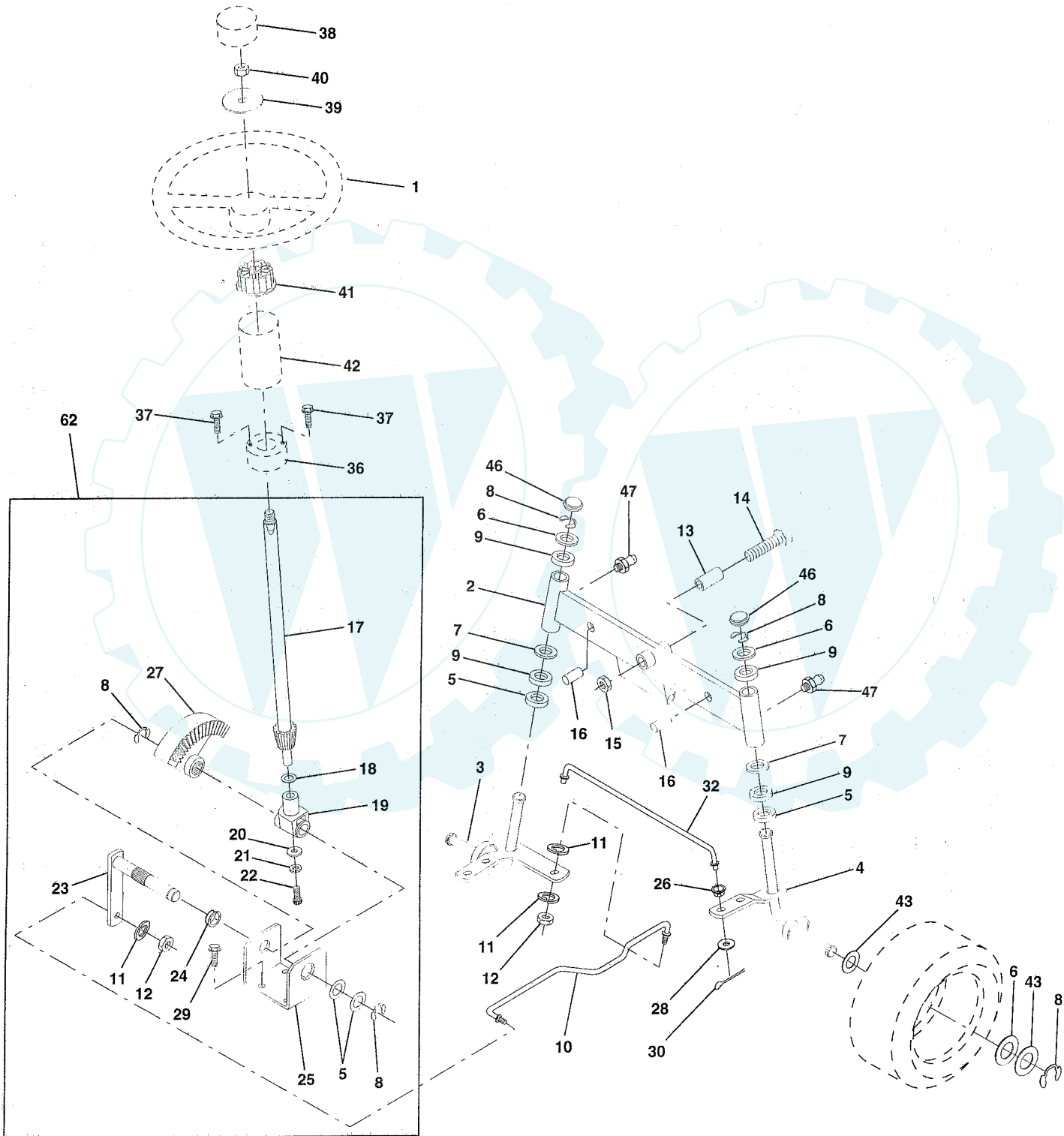
**NOTE:** All component dimensions give in U.S. inches.  
1 inch = 25.4 mm.



# REPAIR PARTS

## TRACTOR - - MODEL NUMBER UM15H42E

### STEERING ASSEMBLY



# REPAIR PARTS

## TRACTOR - - MODEL NUMBER UM15H42E

### STEERING ASSEMBLY

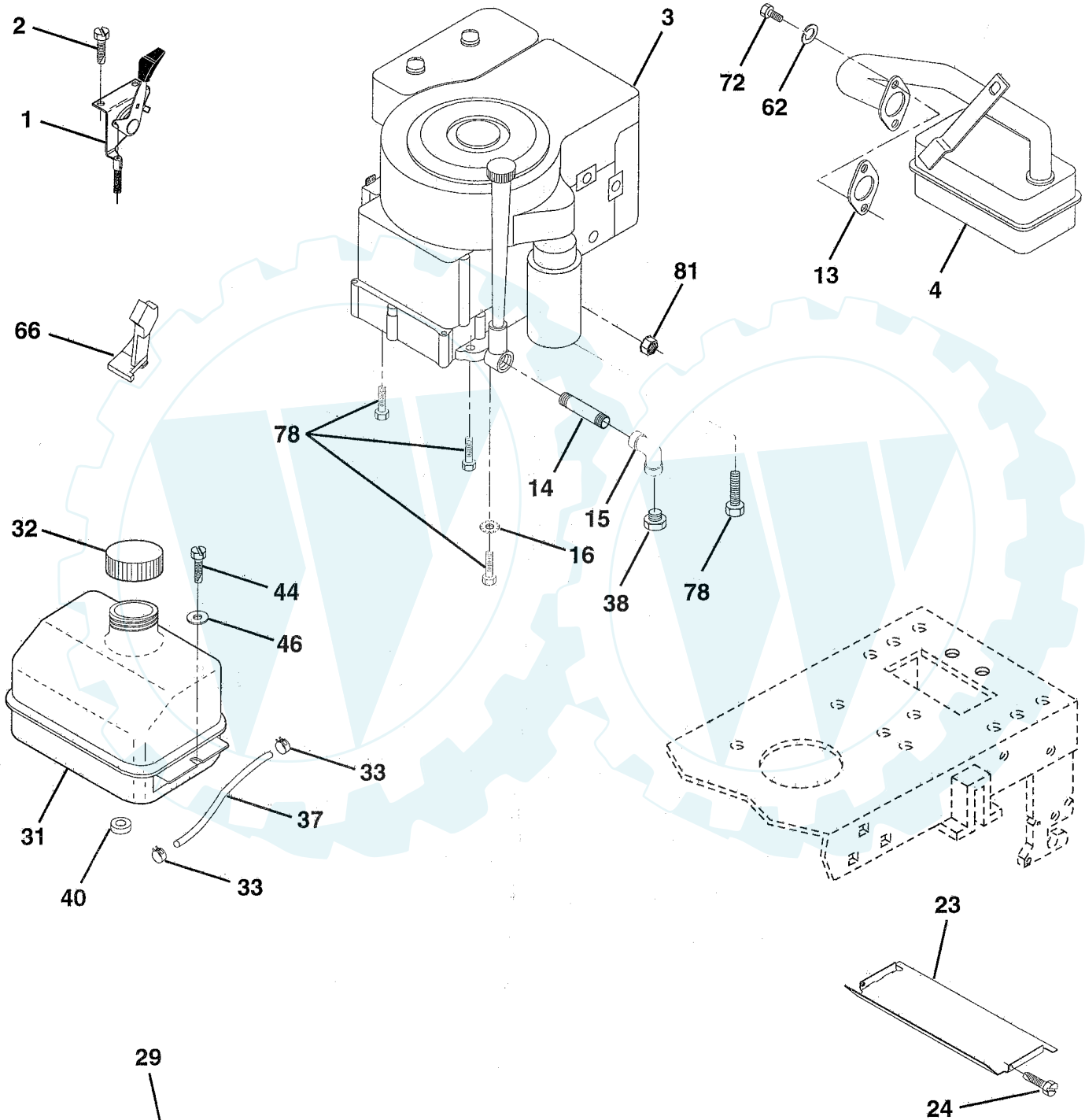
| KEY NO. | PART NO. | DESCRIPTION                   |
|---------|----------|-------------------------------|
| 1       | 133741   | Wheel Steering Ayp/kelch Blk  |
| 2       | 142033   | Axle Asm Fr LT W/gzks 38/42   |
| 3       | 135227   | Spindle Asm LH                |
| 4       | 135228   | Spindle Asm RH                |
| 5       | 6266H    | Bearing Race Thrust Harden    |
| 6       | 121748X  | Washer 25/32 X 1-5/8 X 16 Ga  |
| 7       | 19272016 | Washer 27/32 X 1-1/4 X 16 Ga  |
| 8       | 12000029 | Ring Klip #t5304-75           |
| 9       | 3366R    | Bearing Col Strg Blk          |
| 10      | 130468   | Link Drag Sol Ball Jt 20 064  |
| 11      | 10040600 | Washer Lock Hvy Hlcl Spr 3/8  |
| 12      | 73610600 | Nut Fin Hex 3/8-24 Unf        |
| 13      | 110438X  | Spacer Bearing Axle Front     |
| 14      | 74011056 | Bolt Hex 5/8-11 Unc X 3-1/2   |
| 15      | 73901000 | Nut Lock Flange 5/8-11 Unc    |
| 16      | 132624   | Pin Axle 5/8 X 1 55/1 54 Lg   |
| 17      | 132614   | Shaft Asm Strg 5/8 X 15 19 LT |
| 18      | 57079    | Washer Thrust 515x 750x 033   |
| 19      | 124035X  | Support Shaft                 |
| 20      | 126684X  | Washer Shim 1/4 X 5/8 X 062   |
| 21      | 10040400 | Washer Lock Hvy Helical 1/4   |
| 22      | 71100410 | Screw Cap Sckt Hd Phos        |
| 23      | 127501   | Shaft Asm Pittman             |
| 24      | 109816X  | Nyliner Snap In               |
| 25      | 124036X  | Bracket Steering              |
| 26      | 126847X  | Bushing Link Drag Blk LR      |
| 27      | 136874   | Gear Sector                   |
| 28      | 19131416 | Washer 13/32 X 7/8 X 16 Ga    |
| 29      | 17490612 | Screw Thdrol 3/8-16x3/4 Ty-tt |
| 30      | 76020412 | Pin Cotter 1/8 X 3/4 Cad      |
| 32      | 130465   | Rod Tie Wire Form 19 75 Mech  |
| 36      | 132196   | Bushing Strg 5/8 Id Dash      |
| 37      | 17431008 | Screw Slftp #10-16 X 1/2 Ty-b |
| 38      | 133742   | Cap Wheel Steer Ayp/kelch Blk |
| 39      | 19133808 | Washer 13/32 X 2-3/8 X 8 Ga   |
| 40      | 7810H    | Nut Lock Center 3/8-24unf     |
| 41      | 104820X  | Adaptor Wheel Strg 640/ 635id |
| 42      | 124418X  | Boot Steering Shaft           |
| 43      | 121749X  | Washer 25/32 X 1 1/4 X 16 Ga  |
| 46      | 121232X  | Cap Spindle Fr Top Blk        |
| 47      | 6855M    | Fitting Grease                |
| 62      | 149684   | Kit Steering Assembly Service |

**NOTE:** All component dimensions given in U.S. inches.  
1 inch = 25.4 mm.

# REPAIR PARTS

## TRACTOR - - MODEL NUMBER UM15H42E

### ENGINE



**OPTIONAL EQUIPMENT**  
**Spark Arrester**

# REPAIR PARTS

## TRACTOR - - MODEL NUMBER UM15H42E

### ENGINE

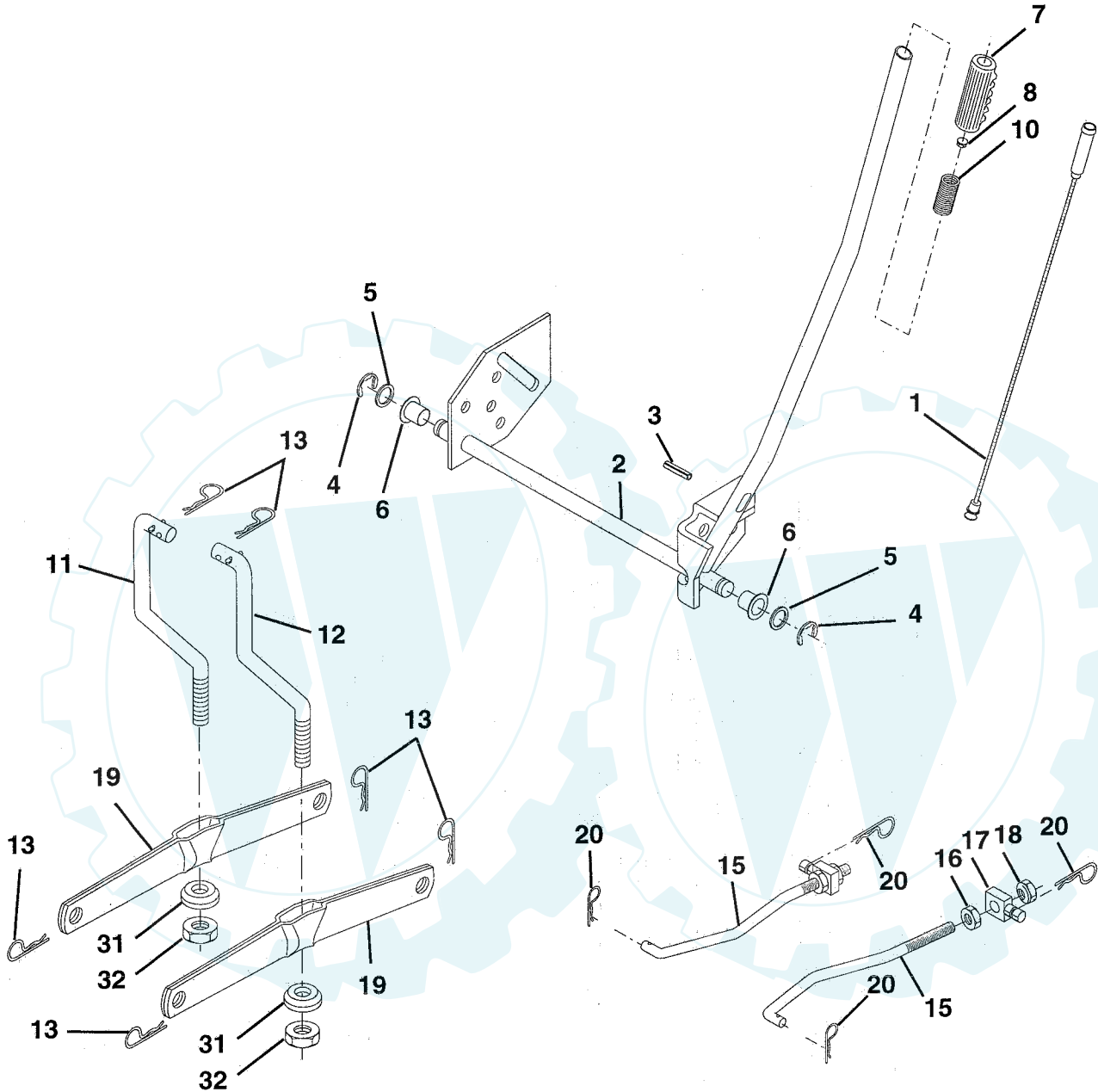
| KEY NO. | PART NO. | DESCRIPTION                                     |
|---------|----------|---|
| 1       | 132623   | Control Th/ch Blk Tee EEC 15 10                 |
| 2       | 17720410 | Screw Hex Thd Cut 1/4-20x5/8 T                  |
| 3       | -----    | Engine B&S 15/15.5 DIC, Model No. 28N707        |
| 4       | 137352   | Muffler Exhaust B&S                             |
| 13      | 272293   | Gasket Eng 1 313 Id Tin Plated                  |
| 14      | 13280324 | Nipple Pipe 3/8 Npt X 3"                        |
| 15      | 13200300 | Elbow Std 90 Degree 3/8-18 Npt                  |
| 16      | 11050600 | Washer Lock Ext Tooth 3/8                       |
| 23      | 128953X  | Shield Browning                                 |
| 24      | 17021008 | Screw   |
| 29      | 137180   | Kit Spark Arrestor (Flat Scrn)                  |
| 31      | 109202X  | Tank Fuel Front 1 25                            |
| 32      | 140527   | Cap Asm Fuel                                    |
| 33      | 123487X  | Clamp Hose Blk                                  |
| 37      | 137040   | Line Fuel                                       |
| 38      | -----    | Plug Oil Drain (Order From Engine Manufacturer) |
| 40      | 124028X  | Bushing Snap Nyl Blk Fuel Line                  |
| 44      | 17490412 | Screw Hexwsh Thdrol 1/4-20x3/4                  |
| 46      | 19091416 | Washer 9/32 X 7/8 X 16 Ga                       |
| 62      | 10040500 | Washer 5/16                                     |
| 66      | 127951   | Stop Throttle 3000 RPM                          |
| 72      | 71070512 | Screw 5.16-18 x 3/4                             |
| 78      | 17490620 | Screw Thdrol 3/8-16x1-1/4 TYTT                  |
| 81      | 128861   | Nut Flange 1/4-20 Starter Nut                   |

**NOTE:** All component dimensions given in U.S. inches.  
1 inch = 25.4 mm.

# REPAIR PARTS

## TRACTOR - - MODEL NUMBER UM15H42E

### LIFT



| KEY NO. | PART NO. | DESCRIPTION                   |
|---------|----------|-------------------------------|
| 1       | 136973   | Wire Asm Inner w/plunger      |
| 2       | 122507X  | Shaft Asm Lift 9 680          |
| 3       | 105767X  | Pin Groove 1 500 Zinc         |
| 4       | 12000002 | E Ring #5133-62               |
| 5       | 19211621 | Washer PLTD 21/32 X 1 X 21ga  |
| 6       | 120183X  | Bearing Nylon Blk 629 Id      |
| 7       | 109413X  | Grip Handle Bicycle Matte Blk |
| 8       | 124526X  | Button Plunger Black          |
| 10      | 122512X  | Spring Cprsn 3 750 Oiled      |
| 11      | 139865   | Link Lift LH                  |
| 12      | 139866   | Link Lift RH                  |

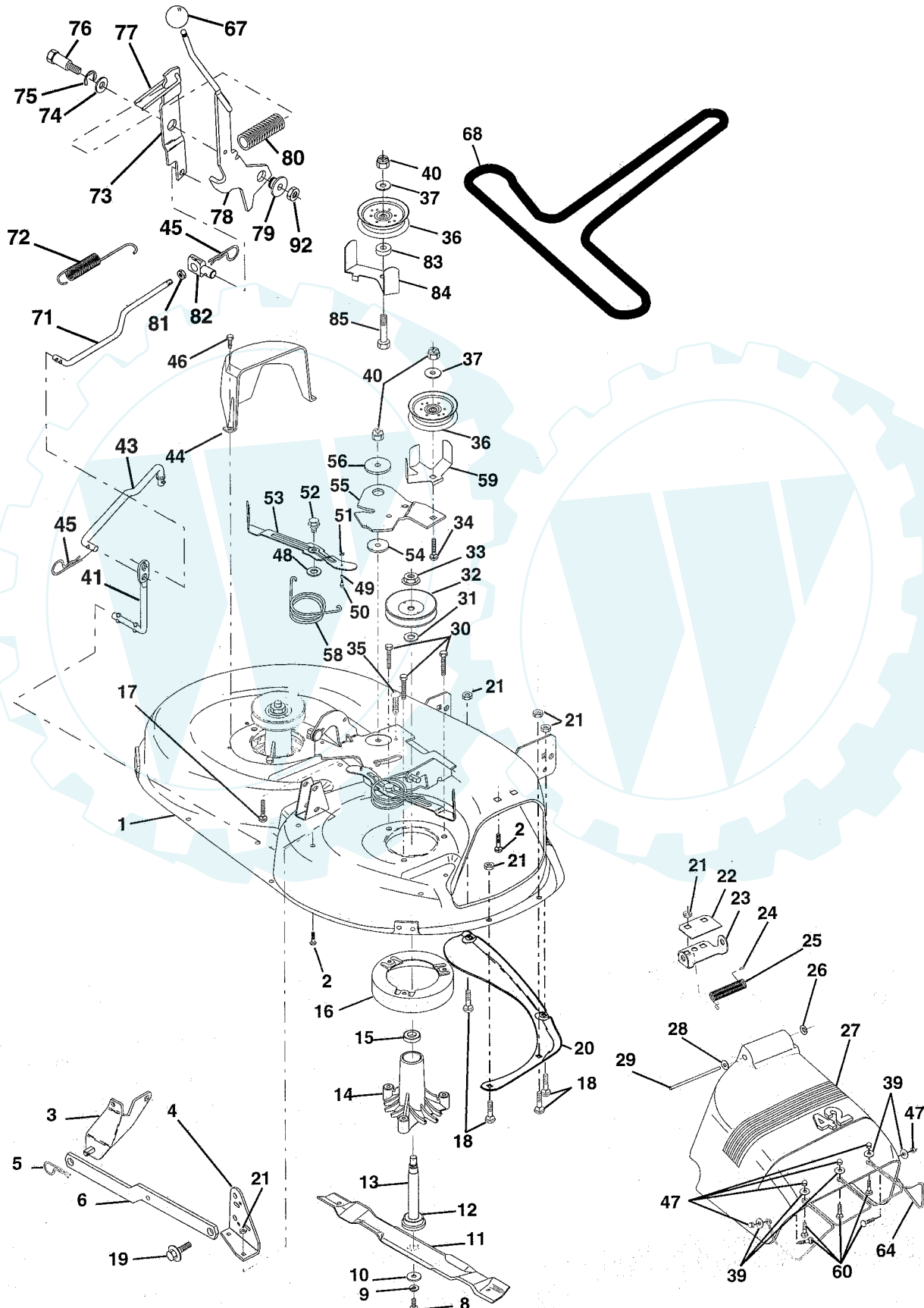
| KEY NO. | PART NO. | DESCRIPTION                  |
|---------|----------|------------------------------|
| 13      | 4939M    | Retainer Spring              |
| 15      | 127218   | Link Front                   |
| 16      | 73350800 | Nut Jam Hex 1/2-13 Unc       |
| 17      | 130171   | Trunnion Blk Zinc            |
| 18      | 73800800 | Nut Lock W/wsh 1/2-13unc     |
| 19      | 139868   | Arm Suspension               |
| 20      | 3146R    | Retainer Spring              |
| 31      | 140302   | Bearing Pvt. Lift. Spherical |
| 32      | 73540600 | Nut Crownlock 3/8-24         |

**NOTE:** All component dimensions given in U.S. inches  
1 inch = 25.4 mm

# REPAIR PARTS

## TRACTOR -- MODEL NUMBER UM15H42E

### MOWER DECK



# REPAIR PARTS

## TRACTOR - - MODEL NUMBER UM15H42E

### MOWER DECK

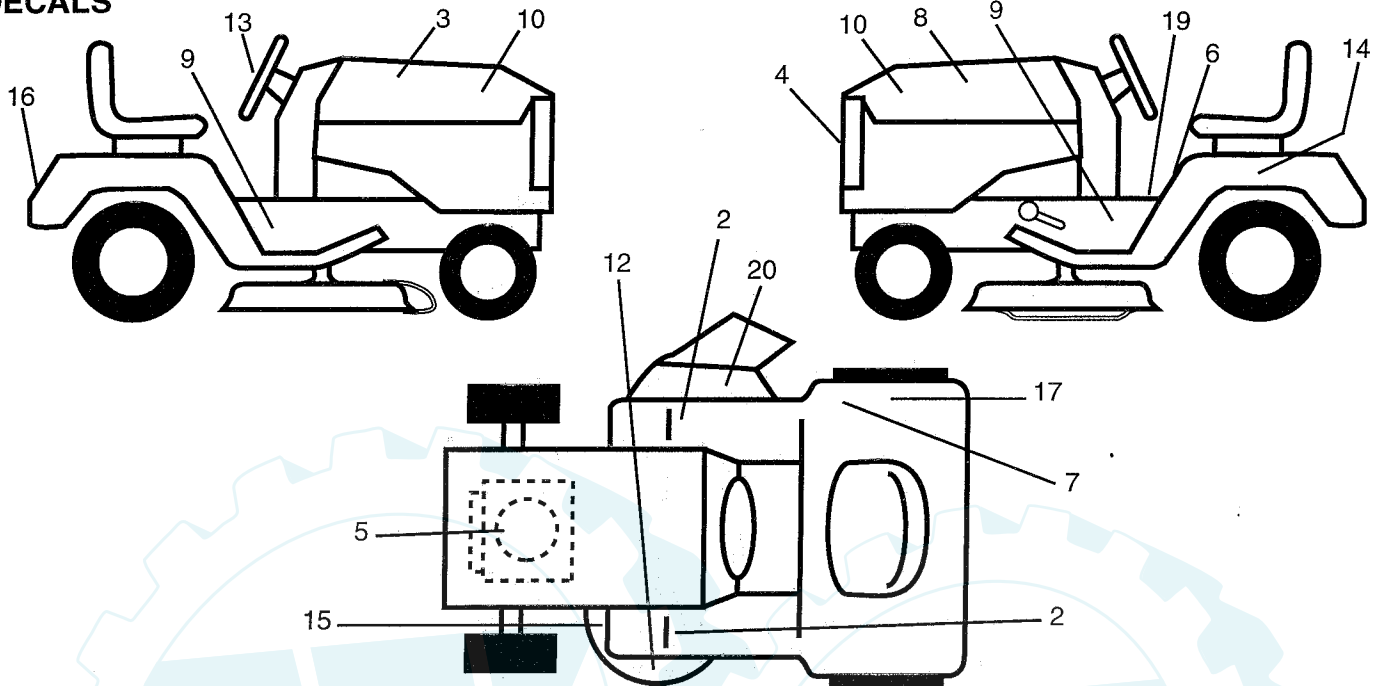
| KEY NO. | PART NO. | DESCRIPTION   | KEY NO. | PART NO. | DESCRIPTION   |
|---------|----------|---|---------|----------|---|
| 1       | 144393   | Mower Deck Assembly, 42"                                    | 44      | 140088   | Guard, Mandrel, LH  |
| 2       | 72140506 | Bolt  | 45      | 4497H    | Retainer  |
| 3       | 138017   | Bracket Asm Fr. Sway Bar                                    | 46      | 137729   | Screw, Thread Roll 1/4-20 x 5/8                                   |
| 4       | 138440   | Bracket Asm Deck 42" Sway Bar                               | 47      | 60867    | Nut, Acorn Hex #10-24   |
| 5       | 4939M    | Retainer Spring   | 48      | 133944   | Washer, Hardened  |
| 6       | 130832   | Arm, Suspension, Rear                                       | 49      | 133940   | Roller Assembly, Cam Follower                                     |
| 8       | 850857   | Bolt 3/8-24 x 1.25 Grade 8                                  | 50      | 131340   | Bolt, Shoulder #10-24 Grade 5                                     |
| 9       | 10030600 | Washer, Lock  | 51      | 69180    | Locknut   |
| 10      | 140296   | Washer, Hardened  | 52      | 139888   | Bolt, Shoulder 5/16-18 UNC  |
| 11      | 138498   | Blade, High Lift 42"  | 53      | 131845   | Arm Assembly, Pad, Brake  |
| 12      | 129895   | Bearing, Ball   | 54      | 133943   | Washer, Hardened  |
| 13      | 137645   | Shaft Assembly, Mandrel, Vented<br>(Includes Key Number 12) | 55      | 140084   | Arm, Idler  |
| 14      | 128774   | Housing, Mandrel, Vented                                    | 56      | 122052X  | Spacer, Retainer  |
| 15      | 110485X  | Bearing, Ball, Mandrel                                      | 58      | 140086   | Spring Torsion Brakes   |
| 16      | 140329   | Stripper, Vented Mower Deck                                 | 59      | 141043   | Guard Tuv Idler   |
| 17      | 72110610 | Bolt, Carriage 3/8-16 x 1-1/4                               | 60      | 71161010 | Screw, Truss Hd Phil #10-24 x 5/8                                 |
| 18      | 72140505 | Bolt, Carriage 5/16-18 x 5/8                                | 64      | 139328   | Guard, Deflector Mower 42" TUV                                    |
| 19      | 132827   | Bolt, Shoulder  | 67      | 106932X  | Knob Rd 3/8-16 UNC  |
| 20      | 136888   | Baffle, Vortex  | 68      | 144200   | V-Belt, 42" Mower   |
| 21      | 73680500 | Nut, Crownlock 5/16-18 UNC                                  | 71      | 142427   | Rod, Clutch, Primary  |
| 22      | 134753   | Stiffener Bracket   | 72      | 131870   | Spring, Extension, Return   |
| 23      | 131267   | Bracket, Deflector  | 73      | 127847   | Arm, Clutch, Secondary  |
| 24      | 105304X  | Cap, Sleeve   | 74      | 121748X  | Washer 25/32 x 1-5/8 x 16 Gauge                                   |
| 25      | 123713X  | Spring, Torsion, Deflector                                  | 75      | 12000029 | Ring, Klip  |
| 26      | 110452X  | Nut, Push   | 76      | 128903   | Bolt, Shoulder 3/8-16 UNC x 1.44                                  |
| 27      | 139450   | Deflector, Clipping TUV                                     | 77      | 127845   | Keeper, Spring  |
| 28      | 19111016 | Washer 11/32 x 5/8 x 16 Gauge                               | 78      | 140334   | Arm, Clutch, Primary  |
| 29      | 131491   | Rod, Hinge  | 79      | 127498   | Bushing, Large, Brass   |
| 30      | 138776   | Screw Thdrol. Hex Head Zinc                                 | 80      | 128759   | Spring, Mower Clutch  |
| 31      | 129963   | Washer, Spacer  | 81      | 73350600 | Nut Hex Jam 3/8-16 UNC  |
| 32      | 129861   | Pulley, Mandrel   | 82      | 142028   | Trunnion Adj.   |
| 33      | 137266   | Nut, Toplock 9/16   | 83      | 120958X  | Washer Sintered   |
| 34      | 72110614 | Bolt  | 84      | 144394   | Keeper Belt Idler Fixed   |
| 35      | 133835   | Fastener, Christmas Tree                                    | 85      | 72140618 | Bolt Carriage 3/8-16 x 2-1/4                                      |
| 36      | 131494   | Pulley, Idler, Flat   | 92      | 73800600 | Nut   |
| 37      | 19131316 | Washer 13/32 x 13/16 x 16 Ga.                               | --      | 130794   | Mandrel Assembly (Includes Key<br>Numbers 8-10, 12-15, 31 and 33) |
| 39      | 19070718 | Washer 7/32 x 7/16 x 16 Ga.                                 | --      | 144783   | Mower Deck, Complete  |
| 40      | 73680600 | Nut, Crownlock 3/8-16 UNC                                   |         |          |   |
| 41      | 133551   | Rod, Pivot, with Nibs                                       |         |          |   |
| 43      | 140083   | Rod, Clutch, Secondary, with Nibs                           |         |          |   |

**NOTE:** All component dimensions given in U.S. inches  
1 inch = 25.4 mm

# REPAIR PARTS

## TRACTOR -- MODEL NUMBER UM15H42E

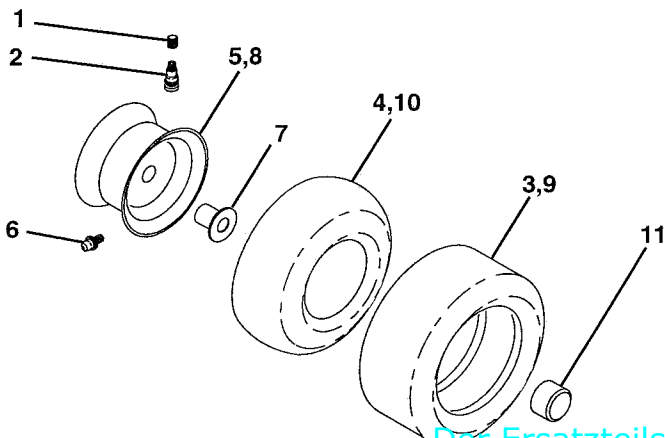
### DECALS



| KEY NO. | PART NO. | DESCRIPTION                    |
|---------|----------|--------------------------------|
| 2       | 131864   | Decal Pad Footrest Abrasive    |
| 3       | 142308   | Decal Hood RH                  |
| 4       | 131265   | Decal Lightbox Grille          |
| 5       | 273285   | Decal Engine                   |
| 6       | 145498   | Decal Read Owners Manual Syms. |
| 7       | 145437   | Decal Europe Stand CE          |
| 8       | 142309   | Decal Hood LH                  |
| 9       | 141801   | Decal Chassis 42" Hydro        |
| 10      | 142310   | Decal Hood                     |
| 12      | 135013   | Decal Enviro Deck Yellow       |
| 13      | 127075   | Decal Wheel Steering Rally     |
| 14      | 146451   | Decal Bat Dan/Poi P/L Symbols  |
| 15      | 136832   | Decal V-Belt Sch               |

| KEY NO.   | PART NO. | DESCRIPTION                    |
|---|----------|--------------------------------|
| 16  | 132628   | Decal Fender Rally             |
| 17  | 125690X  | Decal 100 DBA                  |
| 19  | 140837   | Decal Brake Parking Saddle     |
| 20  | 145494   | Decal Mower Cutfinger Symbol   |
| --  | 138311   | Decal Handle LFT Height Adj    |
| --  | 142341   | Decal Drawbar Cntl. Mut Hyd Lt |
| --  | 153176   | Manual Parts                   |
| --  | 148866   | Manual Oper                    |
| Available accessories not included with your tractor: |          |                                |
|   | LBD48    | 48" Snow Blade                 |
|   | C42      | Grass Catcher                  |
|   | LC05     | 33' Wheel Wts.                 |
|   | LA018    | Tire Chains                    |
|   | LSB42    | 42" Snow Blower                |

### WHEELS & TIRES



| KEY NO. | PART NO.   | DESCRIPTION                       |
|---------|------------|-----------------------------------|
| 1       | 59192      | Cap Valve Tire                    |
| 2       | 65139      | Stem Valve                        |
| 3       | 106222X    | Tire F Ts 15 X 6 0 - 6 Service    |
| 4       | 59904      | Tube Front (Service Item Only)    |
| 5       | 106732X473 | Rim Asm 6" (front Yellow Service) |
| 6       | 278H       | Fitting Grease (Front Wheel Only) |
| 7       | 9040H      | Bearing Flange (Front Wheel Only) |
| 8       | 106108X473 | Rim Asm 8" (rear Yellow Service)  |
| 9       | 122082X    | Tire R Ts 20x10-8 C Service       |
| 10      | 7152J      | Tube Rear (Service Item Only)     |
| 11      | 104757X    | Cap Axle Blk 1 50 X 1 00          |
| --      | 144334     | Sealant, Tire (10 oz. Tube)       |

**NOTE:** All component dimensions given in U.S. inches

Der Ersatzteilspezialist im Internet 11 inch = 254 mm.

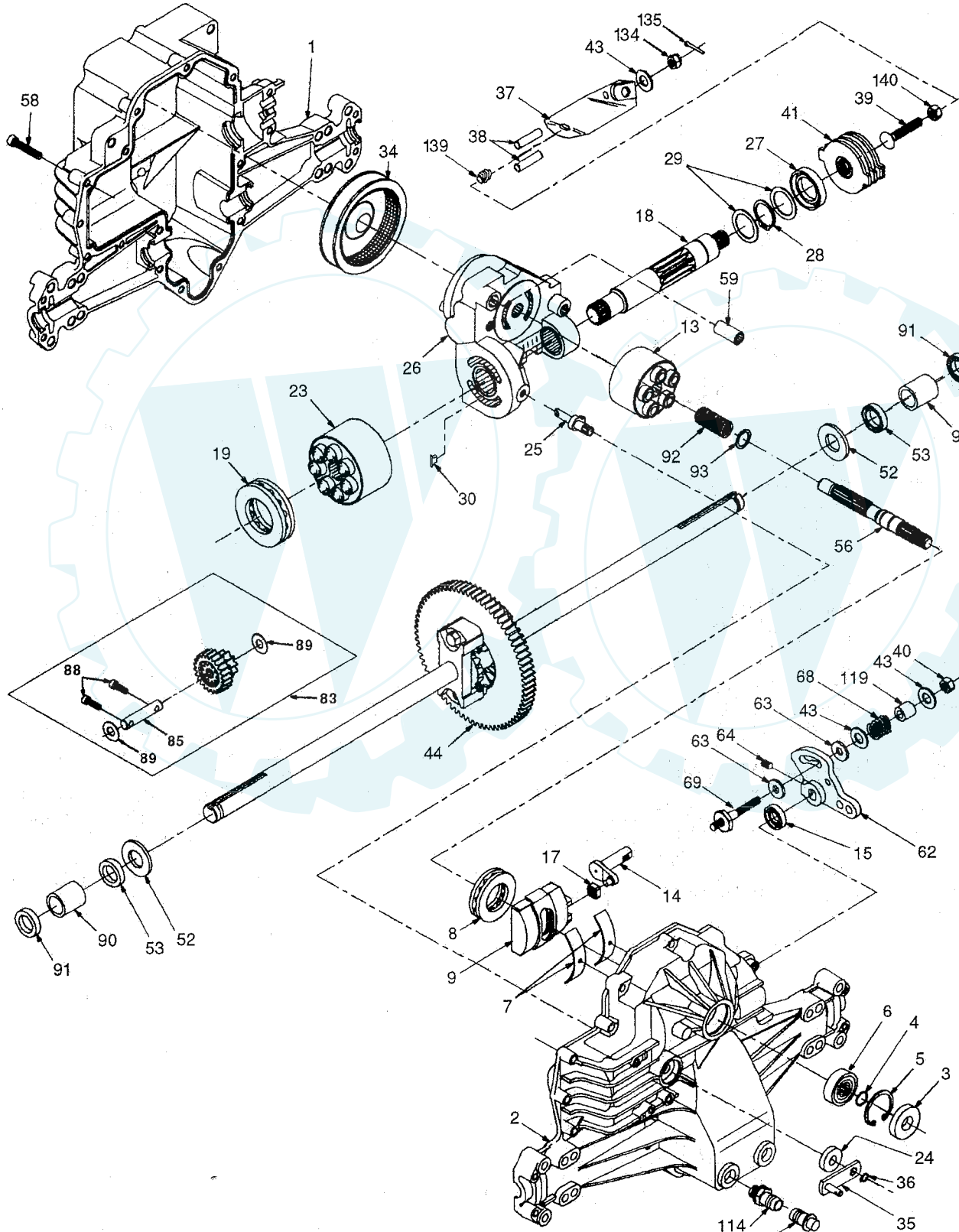


# REPAIR PARTS

TRACTOR -- MODEL NUMBER UM15H42E

TRANSAXLE HYDRO GEAR - MODEL NUMBER 310-0650

## TRANSAXLE



# REPAIR PARTS

## TRACTOR - - MODEL NUMBER UM15H42E

### TRANSAXLE HYDRO GEAR - MODEL NUMBER 310-0650

#### TRANSAXLE

| KEY PART NO. | NO.    | DESCRIPTION                  | KEY PART NO. | NO.    | DESCRIPTION               |
|--------------|--------|------------------------------|--------------|--------|---------------------------|
| 1            | 142930 | Housing, Lower               | 43           | 142884 | Washer 7/16 x 7/8 x .060  |
| 2            | 142931 | Assembly, Upper Housing      | 44           | 150829 | Differential Assembly     |
| 3            | 142932 | Seal, Lip                    | 52           | 142991 | Washer 3/4 x 1.5 x .13    |
| 4            | 142928 | Ring, Wire Retaining         | 53           | 142961 | Seal .75 x 1.25 x .250    |
| 5            | 142933 | Ring, Retaining              | 56           | 142963 | Shaft, Input              |
| 6            | 142934 | Bearing, Shaft Ball          | 58           | 142964 | Bolt 1/4-20 x 1.38        |
| 7            | 142935 | Bearing, Cradle              | 59           | 142965 | Pin .5 OD x .43 ID x .750 |
| 8            | 150771 | Bearing, Thrust 30 x 52 x 13 | 62           | 142966 | Arm, Control              |
| 9            | 142937 | Swashplate, Variable         | 63           | 142967 | Puck, Dampener            |
| 13           | 142938 | Block, Cylinder Assembly     | 64           | 142920 | Set Screw                 |
| 14           | 142939 | Arm, Trunnion                | 68           | 142969 | Spring                    |
| 15           | 142940 | Seal, Lip                    | 69           | 144610 | Stud 5/16-24              |
| 17           | 142941 | Guide, Slot                  | 83           | 142971 | Jackshaft Assembly        |
| 18           | 150772 | Shaft, Motor                 | 85           | 150806 | Jackshaft                 |
| 19           | 150773 | Bearing, Thrust 42 x 68 x 16 | 88           | 142973 | Screw, Cap                |
| 23           | 142944 | Block, Cylinder Assembly     | 89           | 142974 | Washer 7/16 x 1 x 1/2     |
| 24           | 142945 | Seal, Lip 10 x 25 x 7        | 90           | 142975 | Sleeve Bearing            |
| 25           | 142946 | Actuator, Bypass             | 91           | 142976 | Seal, Wiper               |
| 26           | 150774 | Center Section Assembly Kit  | 92           | 142977 | Spring, Block             |
| 27           | 142948 | Seal, Lip 26 x 42 x 8        | 93           | 142978 | Washer, Block Thrust      |
| 28           | 142949 | Ring, Retaining              | 113          | 142917 | Cap, Vent Assembly        |
| 29           | 142950 | Washer 26 x 35 x 1           | 114          | 142918 | Fitting, O-Ring Assembly  |
| 34           | 142951 | Oil Filter Element           | 119          | 142980 | Spacer                    |
| 35           | 142952 | Arm, Bypass                  | 134          | 144607 | Nut, Castle 5/16-24       |
| 36           | 142953 | Ring, Retaining              | 135          | 144608 | Pin, Cotter               |
| 37           | 142954 | Arm, Actuating               | 139          | 150775 | Spring, Compression       |
| 38           | 142955 | Pin, Actuating               | 140          | 150776 | Nut, Hex 5/16-24          |
| 39           | 150777 | Bolt 5/16-24 x 1-3/4         |              |        |                           |
| 40           | 150778 | Locknut, Hex 5/16-24 UNJC    |              |        |                           |
| 41           | 142958 | Brake Rotor/Stator Kit       |              |        |                           |

**NOTE:** All component dimensions given in U.S. inches  
1 inch = 25.4 mm