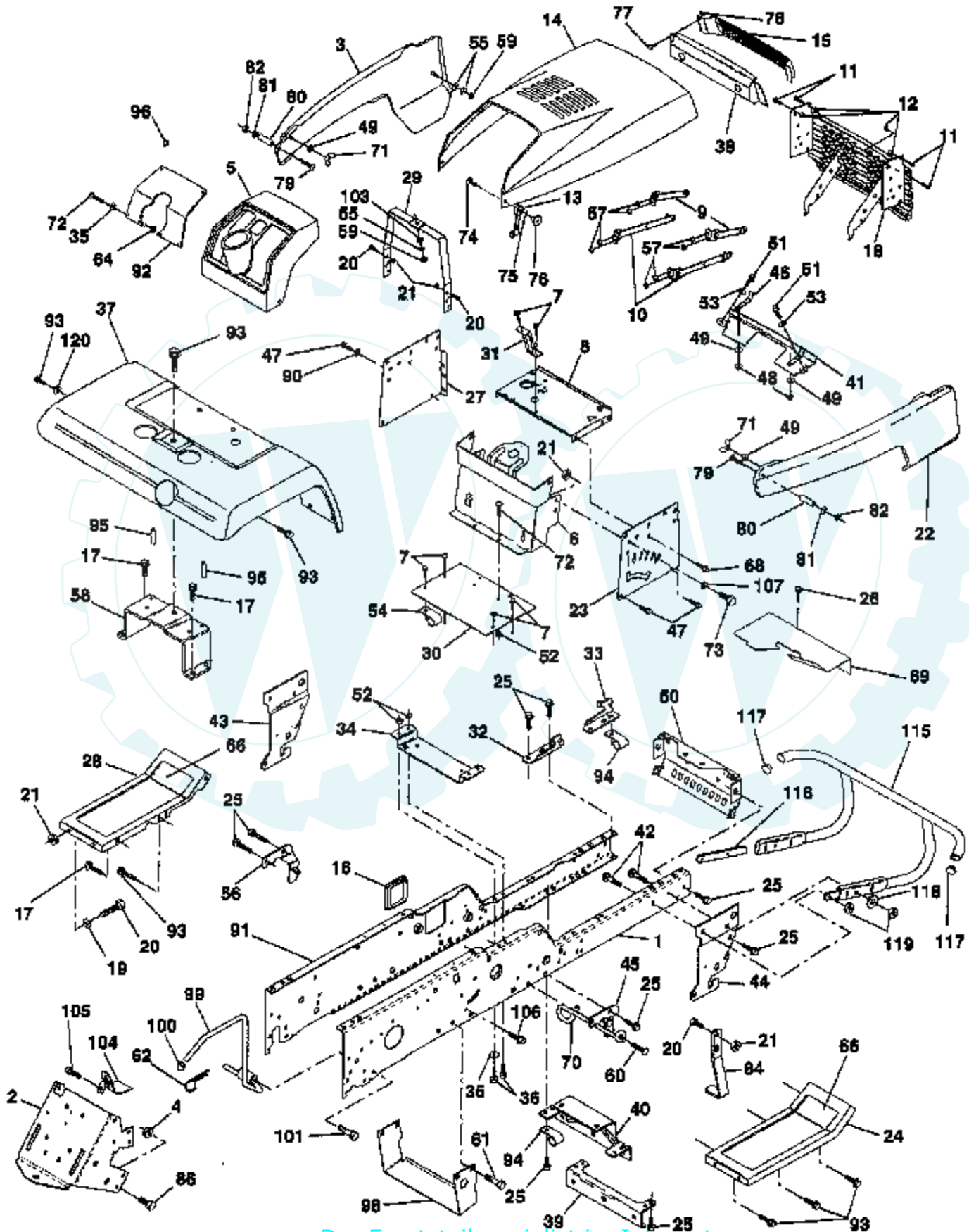


20 HP 50" TRACTOR - - MODEL NUMBER TS20H50A

CHASSIS AND ENCLOSURES

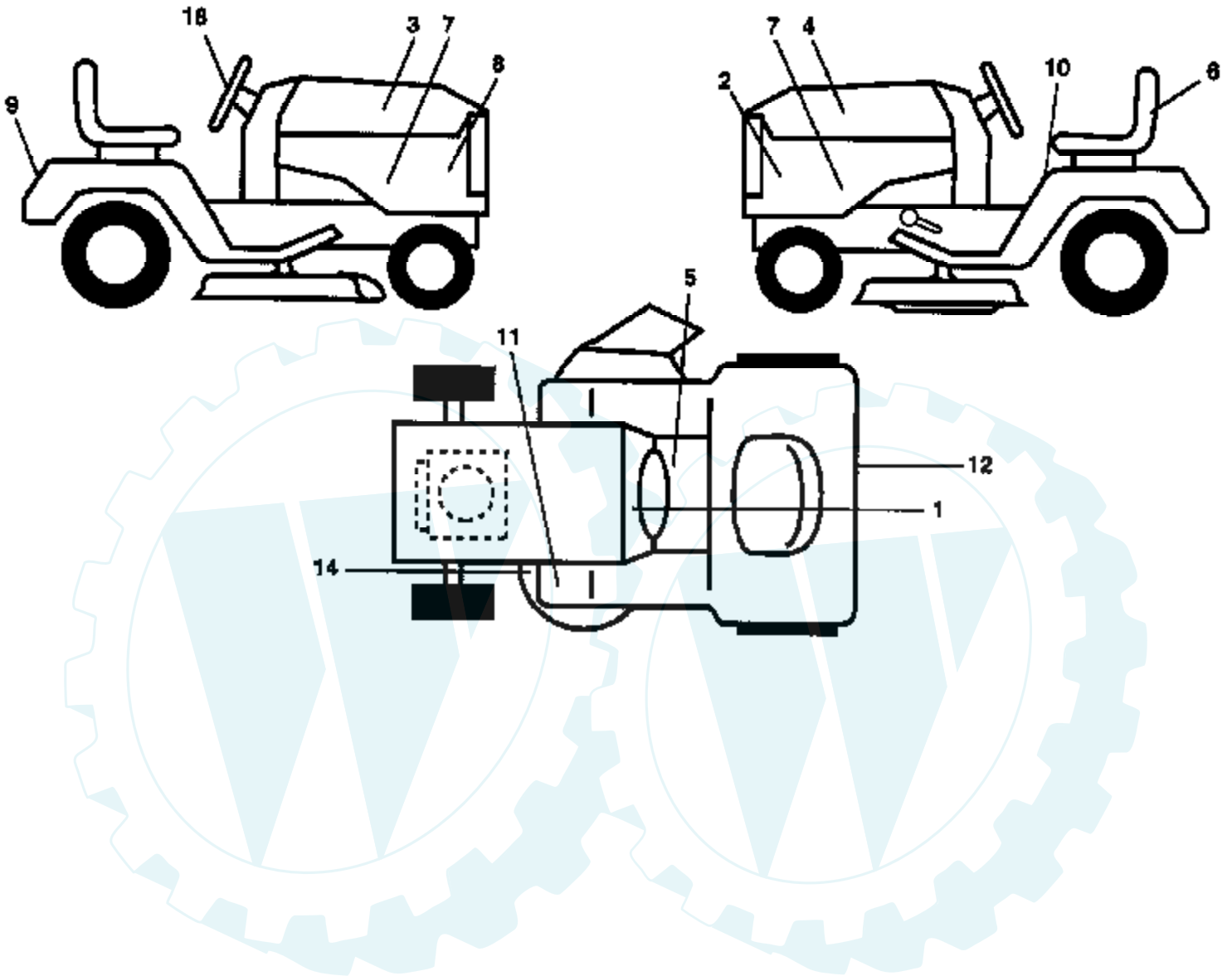


Ref #	Part Number	Qty	Description
1	140505		SUB= 150383
2	140506		DRAWBAR GT
3	140678X505		SUB= 150302X505
4	73800700		NUT.7/16
5	140398		DASHBOARD BLACK
6	140638		DASH ASM LOWER
7	17720408		SCREW
8	140229		SUPPORT BATRY VGT
9	104618X		SUB= 155013
10	106784X		SUB= 155013
11	123481X		SUB= 7605J
12	73800400		NUT
13	109808X		HOOD LATCH T
14	132635X505		SUB= 150301X505
15	106395X		LENS LT
16	121794X		COVER ACCESS
17	17490612		SCREW
18	140037X431		GRILLE.ASM.PNT.YP
19	19131312		WASHER
20	74760616		BOLT
21	73800600		NUT
22	140679X505		PANEL SIDE RH
23	121045X		SUB= 532121045
24	105464X505		SUB= 145243X505
25	17490612		SCREW
26	17490512		SCREW
27	121046X		SUB= 532121046
28	105465X505		SUB= 145244X505
29	124130X		SUPPORT ASS'Y
30	140493		SADDLE SLKSCRND
31	137556		BRACE.SUPT.STRG
32	141315		BRACKET ASM FRAME
33	141314		BRACKET ASM FRAME
34	142131		BRACKET.ENG.SUPT.
35	19111116		WASHER
36	74780512		BOLT
37	140002X505		FENDER.PNT.
38	124392X417		SUB= 147717
39	136961		BRACKET.AXLE.FRT.
40	142132		SUB= 156111
41	105419X505		GRILL STRAP
42	72140610		BOLT.3/8-14X1.25
43	136939		BRACKET.SUS.FT.LH
44	136940		BRACKET.SUS.FT.RH
45	138460		SUB= 155887
46	132644		SUB= 532132644
47	17490608		SCREW LT
48	17490512		SCREW
49	19131210		WASHER
50	136575		BRACKET.CHASSIS.
51	17490412		SCREW HEX CRT
52	73800500		NUT
53	19091016		WASHER
54	126470X		"CLIP,INSULATOR"
55	19091216		WASHER PM
56	138461		SUB= 155886
57	73510400		NUT
58	137113		BRKT.ASM.FENDER

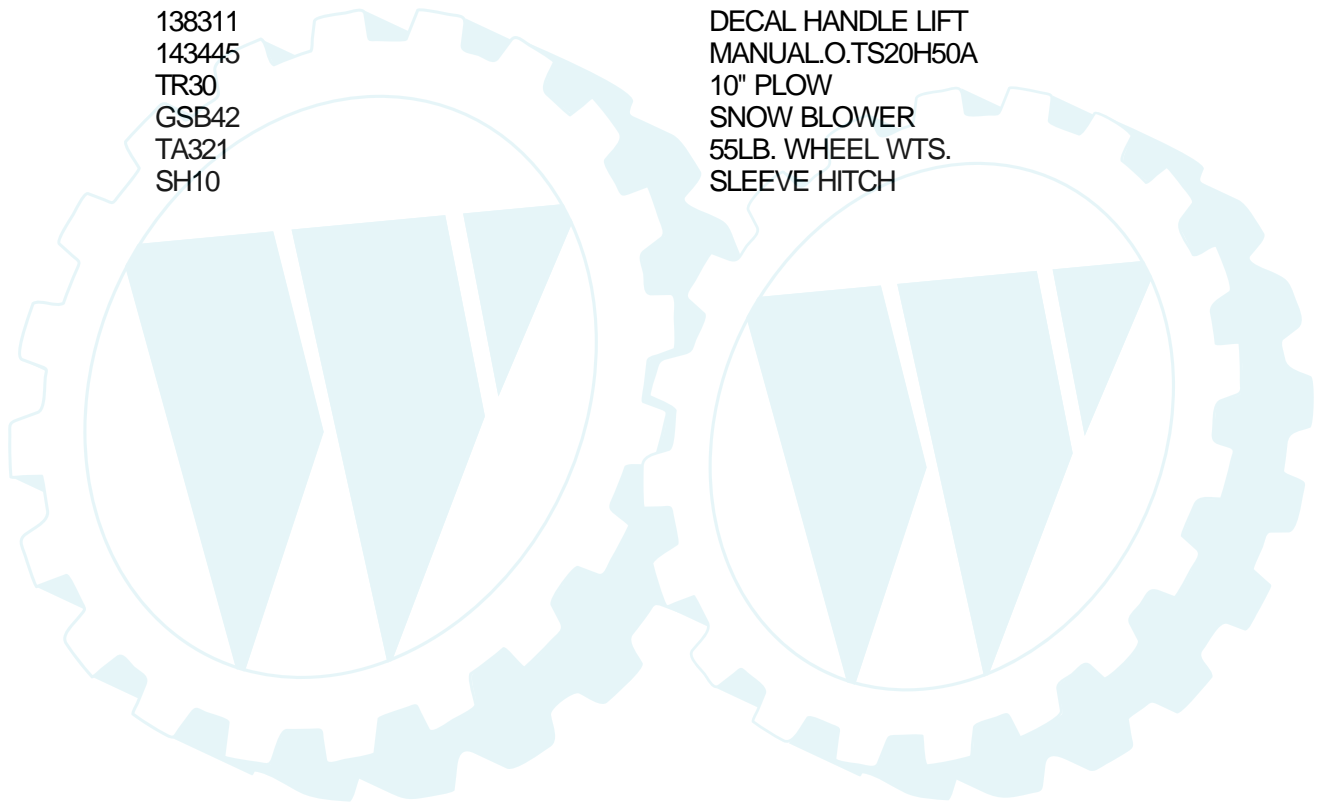
Ref #	Part Number	Qty	Description
59	73220400		SUB= 50675
60	17490620		SCREW
61	17490612		SCREW
62	4497H		RETAINER M
64	73510500		NUT
66	133671		FOOTREST PAD
68	17490508		SCREW LT
69	140022		SHIELD.HEAT.MUF
70	137159		GUIDE.BELT.MID.SP
71	123198X		SUB= 146525
72	74180512		SCREW
73	74780616		BOLT
74	74191008		SCREW
75	10071000		LOCKWASHER
76	2029J		WELDNUT
77	17211010		SCREW LT
78	104755X		""J"" FASTENER LT"
79	74981020		SCREW
80	7206J		SPACER LT
81	19070818		WASHER
82	73731000		NUT
84	142992		STOP.OVER.CENTER
86	74760716		BOLT
90	11050600		LOCKWASHER
91	140504		SUB= 151630
92	140130X012		PLATE YP SLKSCR
93	17490608		SCREW LT
94	100207K		CLIP GTV
95	105531X		NUT-PUSH YT
96	8022J		PLUG-DASH T
98	140503		BRACKET SKID CHAS
99	140871		ROD BYPASS
100	124236X		CAP
101	17490628		SCREW LT
103	10040400		LOCKWASHER
104	142273		LOCK BYPASS BRKT
105	17490508		SCREW LT
106	17580520		BOLT.5/16-18X1.25
107	19131614		WASHER
115	141460		BUMPER.ASM.W/PY
116	141461		BRACKET.EXT.BUMP.
117	143679		PLUG.PLASTIC
118	19131316		WASHER
119	73680600		SUB= 73690600
120	19131616		WASHER HYT

20 HP 50" TRACTOR - - MODEL NUMBER TS20H50A

DECALS



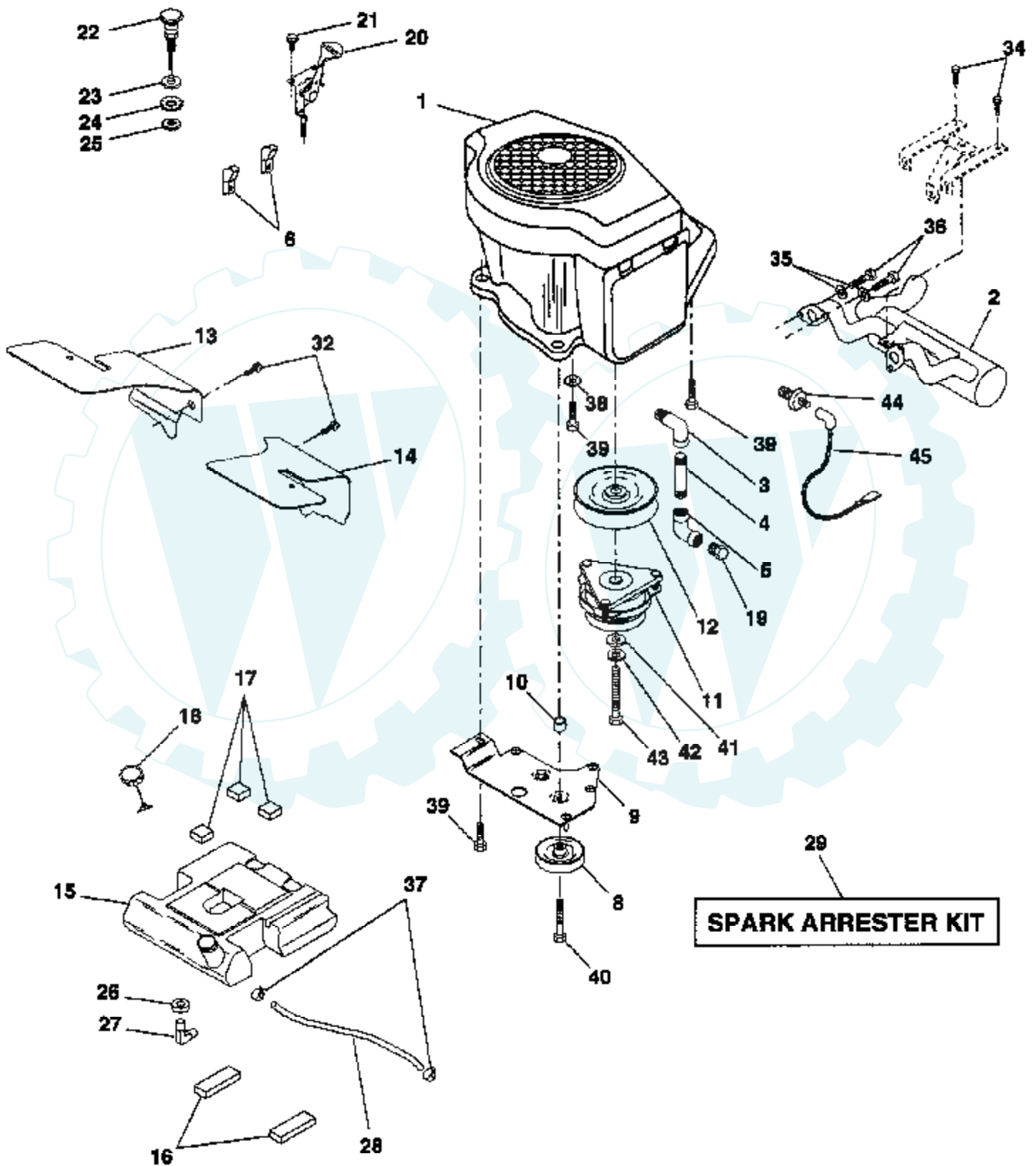
Ref #	Part Number	Qty	Description
1	138955		DECAL.DASH.INST.
2	143096		NAMEPLATE.HUSK.LG
3	143095		DECAL.HD.RH.20/50
4	143094		DECAL.HD.LH.20/50
5	140837		DECAL BRAK PARK
6	139759		DECAL.SEAT.AM.FLG
7	143102		DECAL.PNL.SIDE.20
8	142336		DECAL SADLE HYDRO
9	143109		DECAL.FEND.YT/GT
10	133796		DECAL
11	4900J		DECAL T
12	142342		DECAL D-BAR CNTRL
14	139346		"DECAL.V.BELT.44""
18	143099		DECAL.INS.WHL.STG
	138311		DECAL HANDLE LIFT
	143445		MANUAL.O.TS20H50A
	TR30		10" PLOW
	GSB42		SNOW BLOWER
	TA321		55LB. WHEEL WTS.
	SH10		SLEEVE HITCH



Ref #	Part Number	Qty	Description
1	121537X		SUB= 123899X
2	74760412		BOLT LT
3	10040400		LOCKWASHER
4	19091016		WASHER
5	121264X		"CAP,BATTERY "
6	73220400		SUB= 50675
7	7697J		"DRAIN TU T, BATT"
8	7603J		"TRAY T, BATTERY"
9	109596X		HOSE CLAMP T
10	72240460		BOLT
11	102476X		SUB= 150109
12	123198X		SUB= 146525
19	10090400		SUB= 10040400
20	73350400		NUT
21	127441X		SUB= 136850
22	4152J		HEADLAMP BULB
23	11150400		LOCKWASHER
24	4799J		"CABLE T, BATTERY"
25	4206J		CABLE-BATTERY T
26	108824X		FUSE HYT
28	4207J		CABLE T
29	121305X		SWITCH SEAT
30	140399		SUB= 163088
31	140400		SUB= 145774
32	141226		COVER KEY SWITCH
33	140401		KEY MLD GEN DELTA
34	110712X		SWITCH LT
37	109553X		SWITCH INTERLOCKT
40	141910		HARNESS IGNITION
41	17720408		SCREW
42	131563		SUB= 154336
43	138406		SUB= 146154
46	110940X		HOUR METER T
47	47011008		SCREW #10-24 X 1/2
50	140404		SUB= 154959
51	140405		RING RETAIN PTO
53	71031008		SCREW
54	73951000		"NUT,KEPS"
61	138101		LIGHT.PKG.ASM.
62	110143X		BULB LIGHT T

20 HP 50" TRACTOR - - MODEL NUMBER TS20H50A

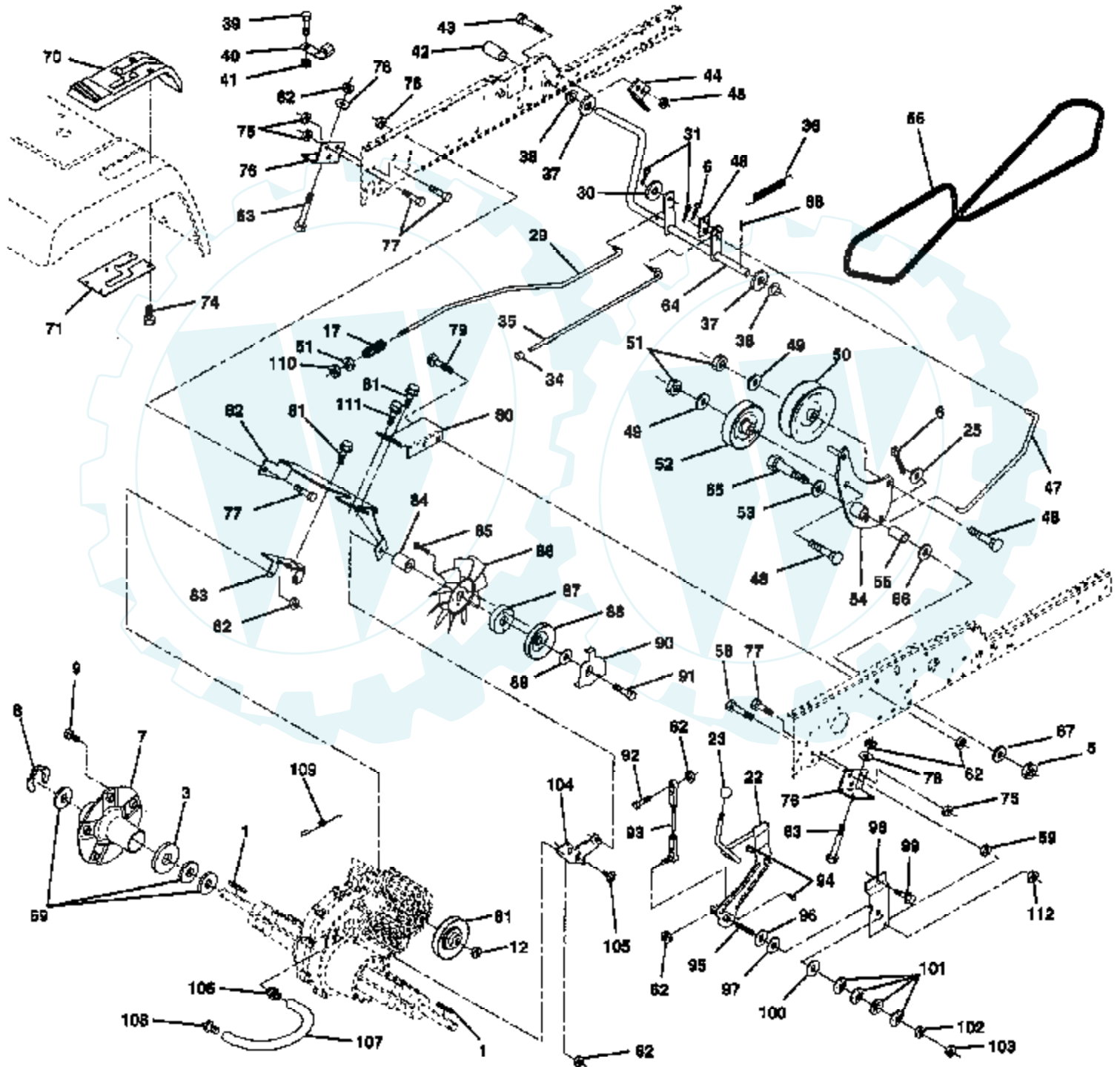
ENGINE



Ref #	Part Number	Qty	Description
1	MV20		ENGINE KOHLER MODEL
2	139214		SUB= 144110
3	13240300		STREET ELBOW LT
4	13280328		PIPE NIPPLE
5	13200300		ELBOW
6	138129		CLAMP.TUBE.DBL.EN
8	121361X		SUB= 139123
9	138559		SUB= 150828
10	105432X		BUSHING.
11	137140		SUB= 142600
12	136907		PULLEY.ENGINE.VGT
13	138486		BAFFLE.AIR.LH.K
14	138487		SUB= 154574
15	141069		SUB= 151346
16	109227X		PAD IDLER TI
17	106082X		PAD-SPACER LT
18	140527		CAP ASM FUEL
19	13290300		PLUG T
20	142168		CONTROL THTL 37
21	17720410		SCREW LT
22	138672		"CONTROL.CHOKE.51""
23	19131316		WASHER
24	11050600		LOCKWASHER
25	73610600		SUB= 7810H
26	3645J		BUSHING OUTLET T
27	139277		STEM.TANK.FUEL
28	7834R		SUB= 8542R
29	132920		SPARK ARREST KIT
32	17490508		SCREW LT
34	17720408		SCREW
35	10040500		LOCKWASHER
36	74570512		SCREW
37	123487X		HOSE CLAMP
38	11050600		LOCKWASHER
39	17490624		SCREW LT
40	17490652		SCREW.3/8-16X3.25
41	126197X		WASHER
42	10040700		LOCKWASHER
43	71170768		SUB= 150280
44	142320		SWITCH OIL KOHLER
45	142321		WIRE LEAD KOHLER

20 HP 50" TRACTOR - - MODEL NUMBER TS20H50A

GROUND DRIVE



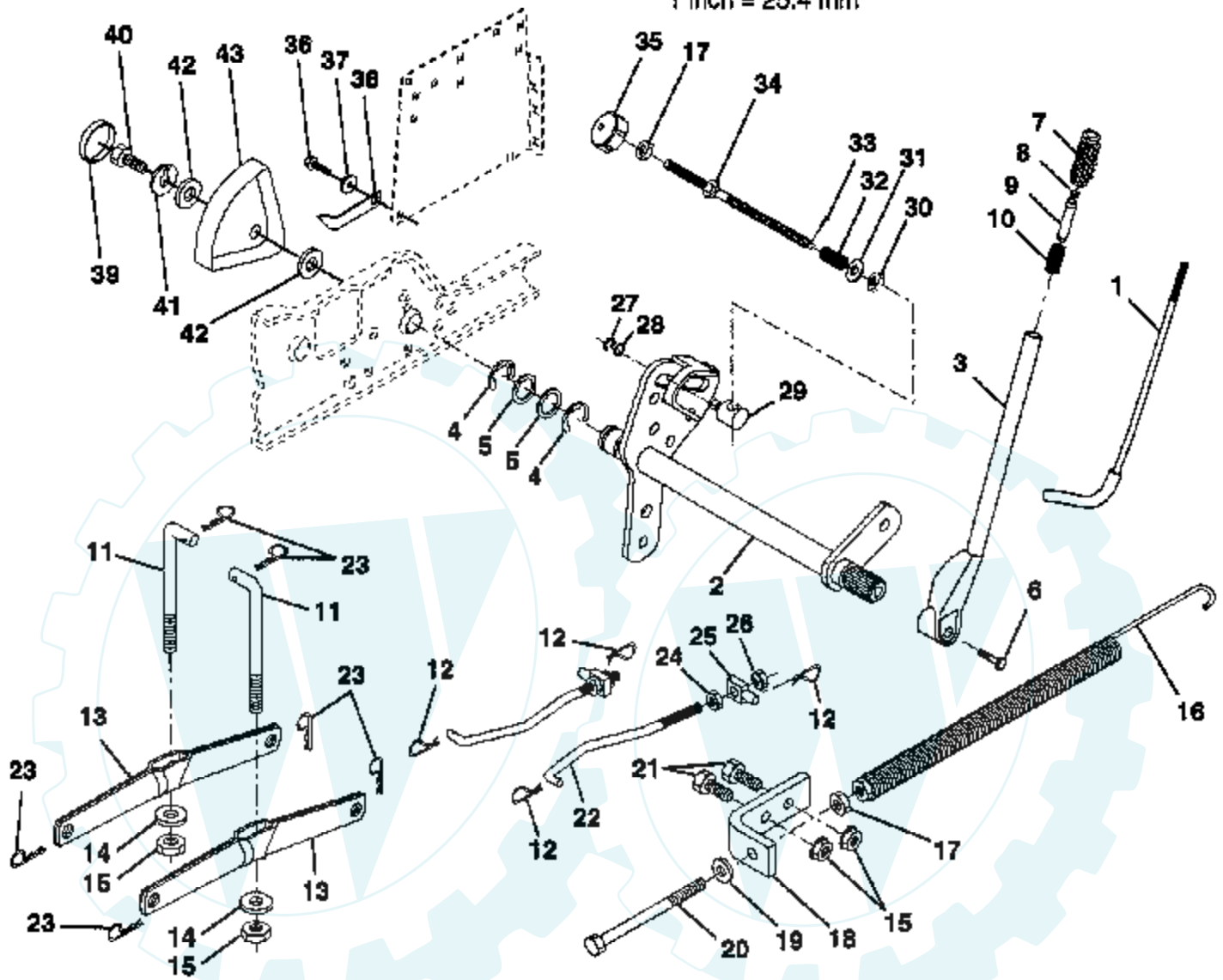
Ref #	Part Number	Qty	Description
1	7070E		KEY 1/4 X 2.5
3	7563R		WASHER T
5	73680600		SUB= 73690600
6	76020412		COTTER PIN
7	140507		HUB WHEEL ASM
8	12000053		E RING HYT
9	140080		BOLT.HUB.WHL.REAR
12	73940800		SUB= 73360800
17	140921		SPRING ROD BRAKE
22	140498		SHAFT ARM ASM
23	121274X		KNOB.DUCKHEAD.1/2
25	19131316		WASHER
29	140494		ROD BRAKE
30	19131614		WASHER
31	76020312		SUB= 3145
34	71673		PLUNGER CAP T
35	137648		ROD BRAKE PART GT
36	138364		SUB= 149412
37	121749X		WASHER
38	110895X		NYLINER T
39	74321016		SCREW
40	5304J		ACT-SWITCH T
41	73631000		SUB= 69180
42	8883R		PEDAL COVER T
43	74760412		BOLT LT
44	104601X		BRKT SWITCH GT
45	73800400		NUT
46	121358X		RETAINER SPRING
47	138228		ROD.CLUTCH
48	72110614		BOLT
49	19131413		WASHER
50	131494		FLAT IDLER PULLEY
51	73800600		NUT
52	139123		PULLEY.IDLER.V.GR
53	207J		WASHER T
54	138390		ARM.ASM.IDLER.CLU
55	105706X		"LY, BEARING"
56	140218		BELT-V 84.5
58	74760724		BOLT
59	73220700		NUT
61	140488		PULLEY TRANSAXLE
62	73800500		NUT
63	74780548		BOLT FIN HEX 5/16
64	137649		SUB= 154752
65	67609		AXLE BOLT
66	140296		WASHER.HARD.BLADE
67	19131312		WASHER
68	5142H		ROLL PIN STD
69	19332616		WASHER T
70	139989		SUB= 153762
71	140927		PLATE CONSOLE S
74	142432		SCREW HEXWSH H-L
75	73800700		NUT.7/16
76	140481		BRACKET TRAN VGTH
77	74760716		BOLT
78	19111212		WASHER
79	72110505		BOLT
80	140484		BRACKET TORQUE RH

Ref #	Part Number	Qty	Description
81	17490612		SCREW
82	140482		SUB= 154561
83	140479		STRAP TORQUE MID
84	140490		SPACER
85	17541020		SCREW YTV
86	140462		"FAN 7"" HYDRO"
87	140491		ADAPTER FAN
88	140492		SUB= 161592
89	19131312		WASHER
90	140489		KEEPER BELT
91	17490644		SCREW.HXWSH.3/8
92	74760520		BOLT
93	140502		LINK ASM SHIFT
94	133835		XMAS TREE FASTNER
95	23200528		SCREW SET 5/16
96	141103		WASHER NICKEL PLT
97	126874X		BEARING THRUST
98	141004		BRACKET SHIFT
99	17490624		SCREW LT
100	126881X		WASHER COMPRESSIN
101	59285		WASHER
102	73560500		NUT HEX NYLOCK
103	73350500		JAM NUT TI
104	140480		BRACKET IDLER
105	17580408		SCREW CRT
106	142576		SUB= 142922
107	142577		SUB= 142918
108	142578		SUB= 142917
109	140929		SPRING BRAKE
110	73350600		NUT
111	88652		HINGE SCREW
112	73680700		NUT GTV
	140343		SUB= 150073

20 HP 50" TRACTOR - - MODEL NUMBER TS20H50A

LIFT ASSEMBLY

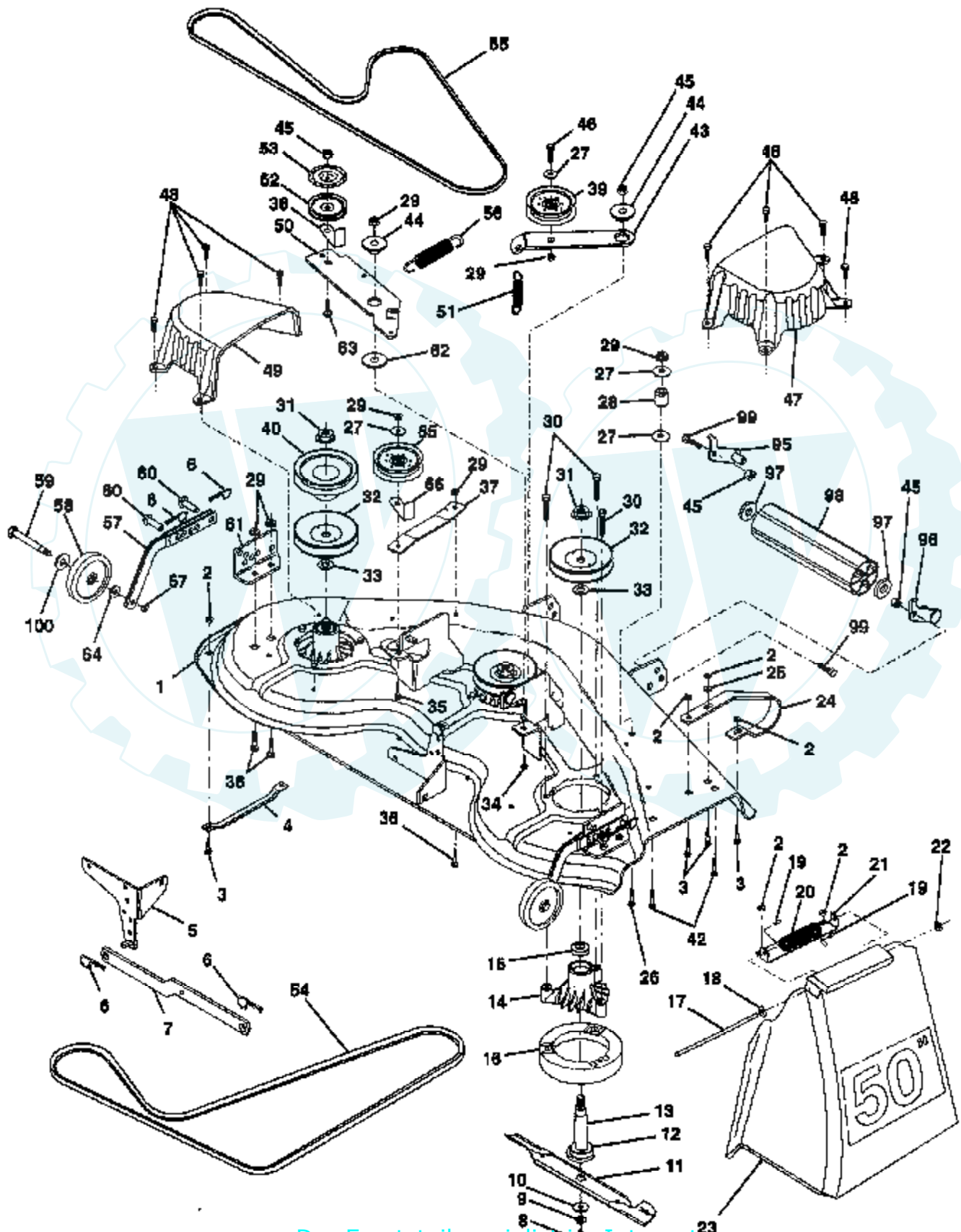
NOTE: All component dimensions given in U.S. inches
1 inch = 25.4 mm



Ref #	Part Number	Qty	Description
1	121006X		LEVER ROD LT
2	137295		SUB= 145542
3	121002X		SUB= 123096X
4	12000022		E-RING
5	19292016		WASHER
6	74780624		"BOLT,HEX"
7	109413X		GRIP
8	124526X		SUB= 125925X
9	122364X		SUB= 125925X
10	2876H		SPRING T
11	142369		SUB= 146704
12	3146R		RETAINER.SPRING
13	139867		SUB= 139868
14	140302		BEARING PVT LH
15	73800600		NUT
16	674A247		SUB= 918674A247
17	73350600		NUT
18	143363		BRACKET SPRING AS
19	19131316		WASHER
20	5328J		BOLT-ADJ SPRING T
21	74760616		BOLT
22	127218		LINK.FRONT
23	4939M		SUB= 85902
24	73350800		NUT
25	130171		TRUNION
26	73800800		NUT.LK.W/WSH.1/2.
27	12000037		KLIP RING
28	19151216		WASHER
29	110810X		TRUNION LT
30	110807X		NUT T
31	19131016		WASHER
32	137150		SPRING.COMP.INF.H
33	76020308		SUB= 3145
34	137167		ROD.ADJ.LIFT
35	138057		KNOB INF 3/8-16
36	17490612		SCREW
37	120529X		WASHER T
38	123933X505		POINTER HGT IND
39	123935X		"PLUG,HOLE"
40	74780516		SUB= 77394
41	10040500		LOCKWASHER
42	19112410		WASHER
43	123934X		HEIGHT INDICATOR

20 HP 50" TRACTOR - - MODEL NUMBER TS20H50A

MOWER DECK



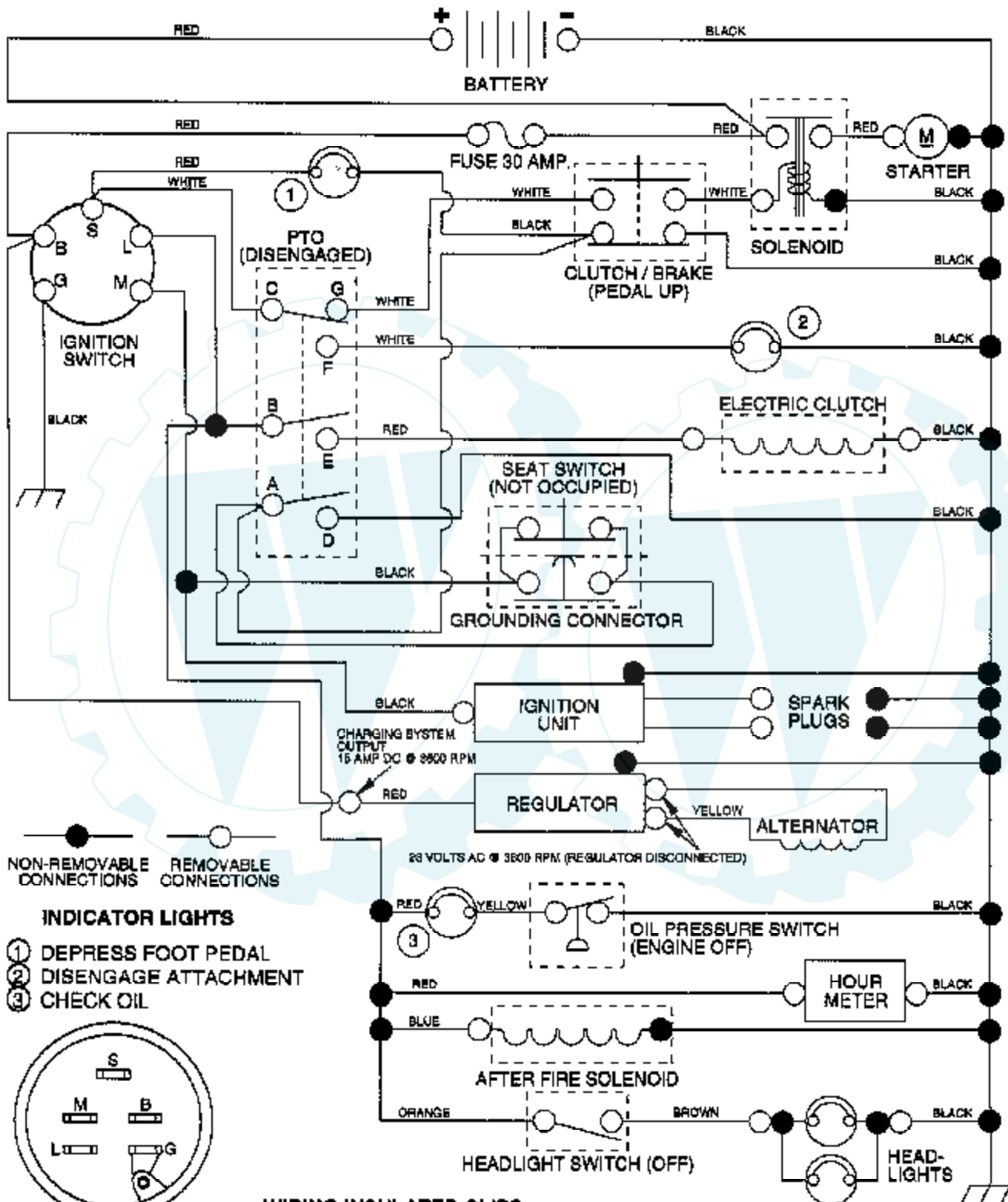
Ref #	Part Number	Qty	Description
1	136457		DECK ASM MWR 50VT
2	73800500		NUT
3	72110506		SUB= 72270506
4	7631J		RUNNER-LH M
5	138457		BRKT.ASM.SW.44/50
6	4939M		SUB= 85902
7	130832		SUB= 130833
8	850857		BLADE BOLT
9	10030600		SUB= 10040600
10	140296		WASHER.HARD.BLADE
11	137380		"BLADE.50"" HD"
12	129895		BEARING.BALL
13	137553		SHAFT.ASM.W/BRNG
14	137152		HOUSING.MAND.44.V
15	110485X		BEARING
16	140329		STRIPPER RND MWR
17	106735X		ROD-HINGE T
18	19111016		WASHER
19	105304X		CAP-SLEEVE LT
20	123713X		SPRING TORSION
21	137607		BRKT DEFLECTOR
22	110452X		NUT PUSH M
23	110509X		DEFLECTOR
24	136320		"RUNNER RH 50"" DK"
25	19111216		WASHER M
26	72110614		BOLT
27	19131316		WASHER
28	73800600		NUT
30	138776		SUB= 157722
31	137266		SUB= 139729
32	129861		SUB= 153535
33	129963		WASHER
34	72140610		BOLT.3/8-14X1.25
35	72110616		BOLT
36	72110608		BOLT D
37	137166		STIFFENER.ARM.IDL
38	137554		SUB= 918137554
39	131494		FLAT IDLER PULLEY
40	136572		"PULLEY.DRIVEN.44"""
42	72140506		BOLT
43	136460		"ARM.IDLER.SEC.44"""
44	122052X		SPACER RETAINER
45	73680600		SUB= 73690600
46	74760628		BOLT
47	137200		"COVER.MAND.RH.44"""
48	137729		SCREW.1/4-20X5/8
49	136574		COVER.MANDREL.LH
50	137272		ARM.IDLER.PRIMARY
51	137273		"SPRING.SEC.44""VEN"
52	139245		PULLEY.IDLER.VGRO
53	137789		SHIELD.IDLER.44.V
54	139573		BELT V PRIM 50
55	138255		BELT.V.GDRIVE.95
56	138687		SPRING.EXT.DECK.
57	136577		BAR.ASM.GUAGE.WHL
58	105455X		WHEEL.GAGE.BLK.PL
59	4898H		BOLT M
60	139031		PIN.CLEVIS

Ref #	Part Number	Qty	Description
61	136573		BRACKET.GUAGE.WHL
62	133943		HARDENED WASHER
63	72110612		BOLT.3/8-16X1.50
64	19121414		WASHER
65	102403X		IDLER-FLAT T
66	139622		SUB= 918139622
67	73930600		LOCKNUT
95	132274		SUB= 532132274
96	132273		SUB= 532132273
97	19171416		WASHER
98	132264		SUB= 532132264
99	74760616		BOLT
100	19171512		WASHER



20 HP 50" TRACTOR -- MODEL NUMBER TS20H50A

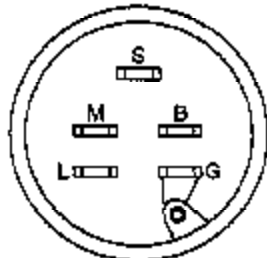
SCHEMATIC



NON-REMOVABLE CONNECTIONS REMOVABLE CONNECTIONS

INDICATOR LIGHTS

- ① DEPRESS FOOT PEDAL
- ② DISENGAGE ATTACHMENT
- ③ CHECK OIL



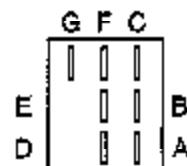
IGNITION SWITCH

POSITION	CIRCUIT
OFF	M + G
ON	B + L
START	B + S + L

WIRING INSULATED CLIPS
NOTE: IF WIRING INSULATED CLIPS WERE REMOVED FOR SERVICING OF UNIT, THEY SHOULD BE REPLACED TO PROPERLY SECURE YOUR WIRING.

PTO SWITCH

POSITION	CIRCUIT
OFF	C + G
ON	C + F, B + E, A + D



Ref #	Part Number	Qty	Description
-------	-------------	-----	-------------

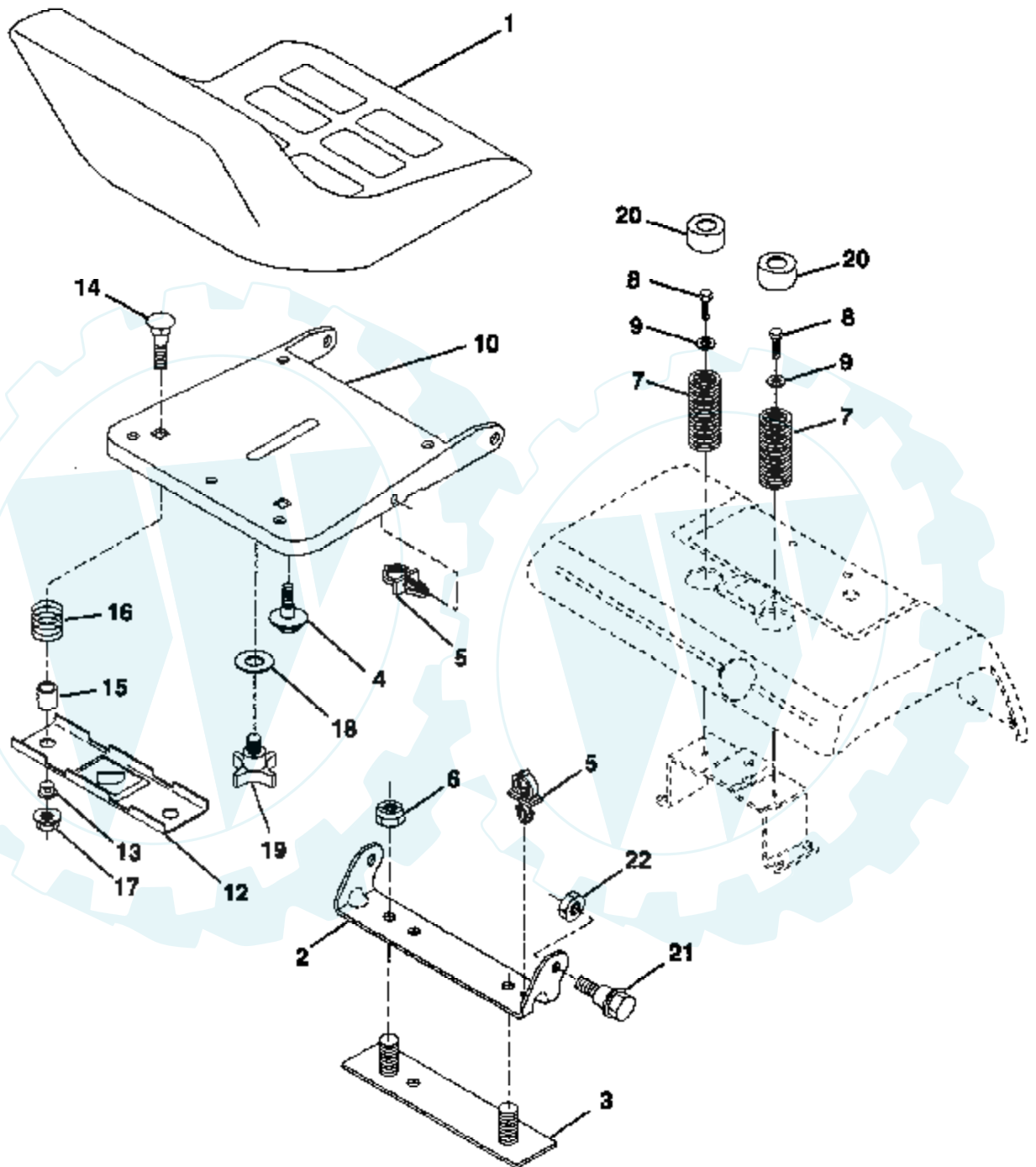
REFER TO IMAGE



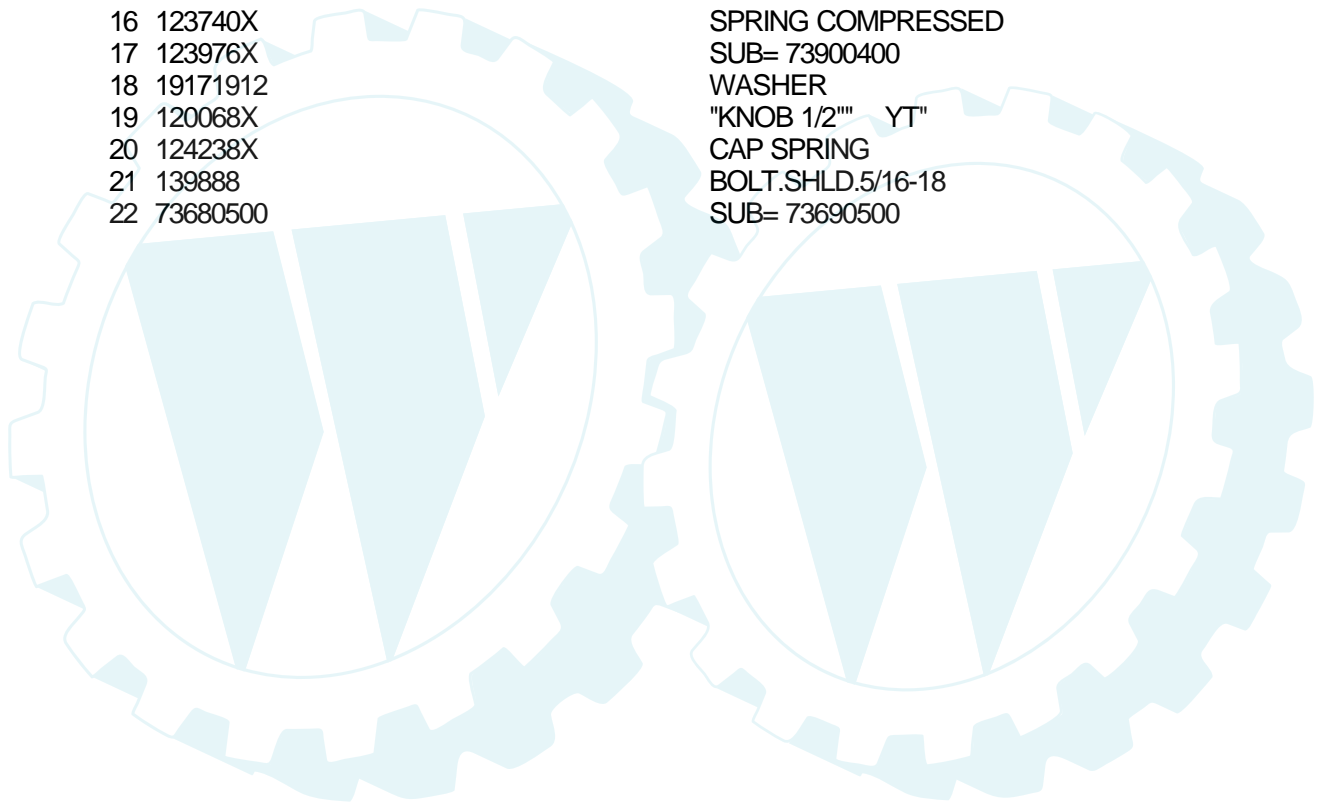
20 HP 50" TRACTOR - - MODEL NUMBER TS20H50A

SEAT ASSEMBLY

NOTE: All component dimensions given in U.S. inches
1 inch = 25.4 mm

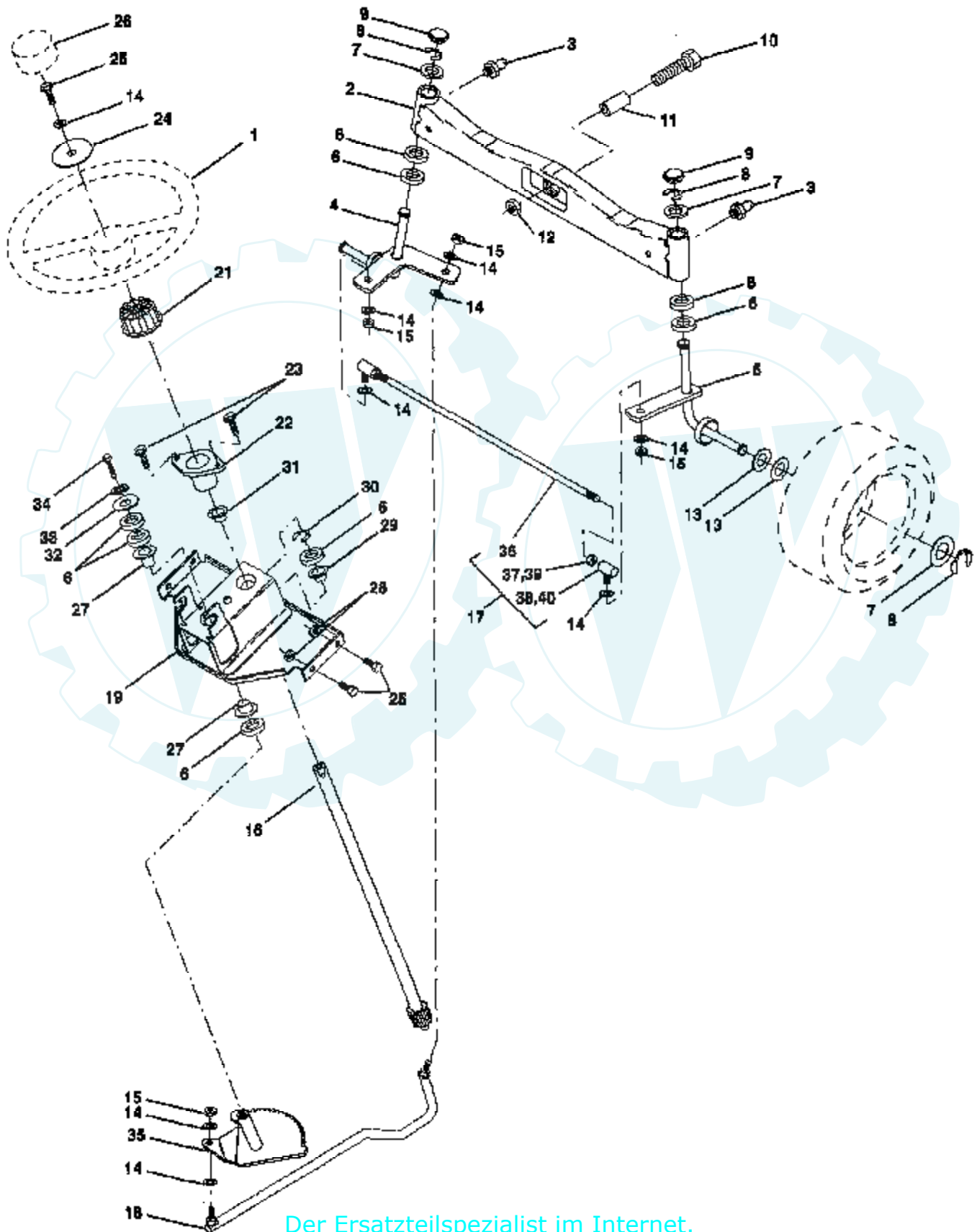


Ref #	Part Number	Qty	Description
1	129598		SUB= 140121
2	140551		BRACKET PVT SEAT
3	140675		STRAP ASM FENDER
4	127018X		"BOLT,SHOULDER"
5	140407		CLIP PUSH - IN
6	73800600		NUT
7	124181X		SPRING COMPRESSIO
8	17490508		SCREW LT
9	19131614		WASHER
10	140552		SUB= 155925
12	121246X		BRKT SWITCH
13	121248X		BUSHING
14	72050411		SUB= 872050411
15	121249X		SPACER SPLIT
16	123740X		SPRING COMPRESSED
17	123976X		SUB= 73900400
18	19171912		WASHER
19	120068X		"KNOB 1/2" YT"
20	124238X		CAP SPRING
21	139888		BOLT.SHLD.5/16-18
22	73680500		SUB= 73690500



20 HP 50" TRACTOR -- MODEL NUMBER TS20H50A

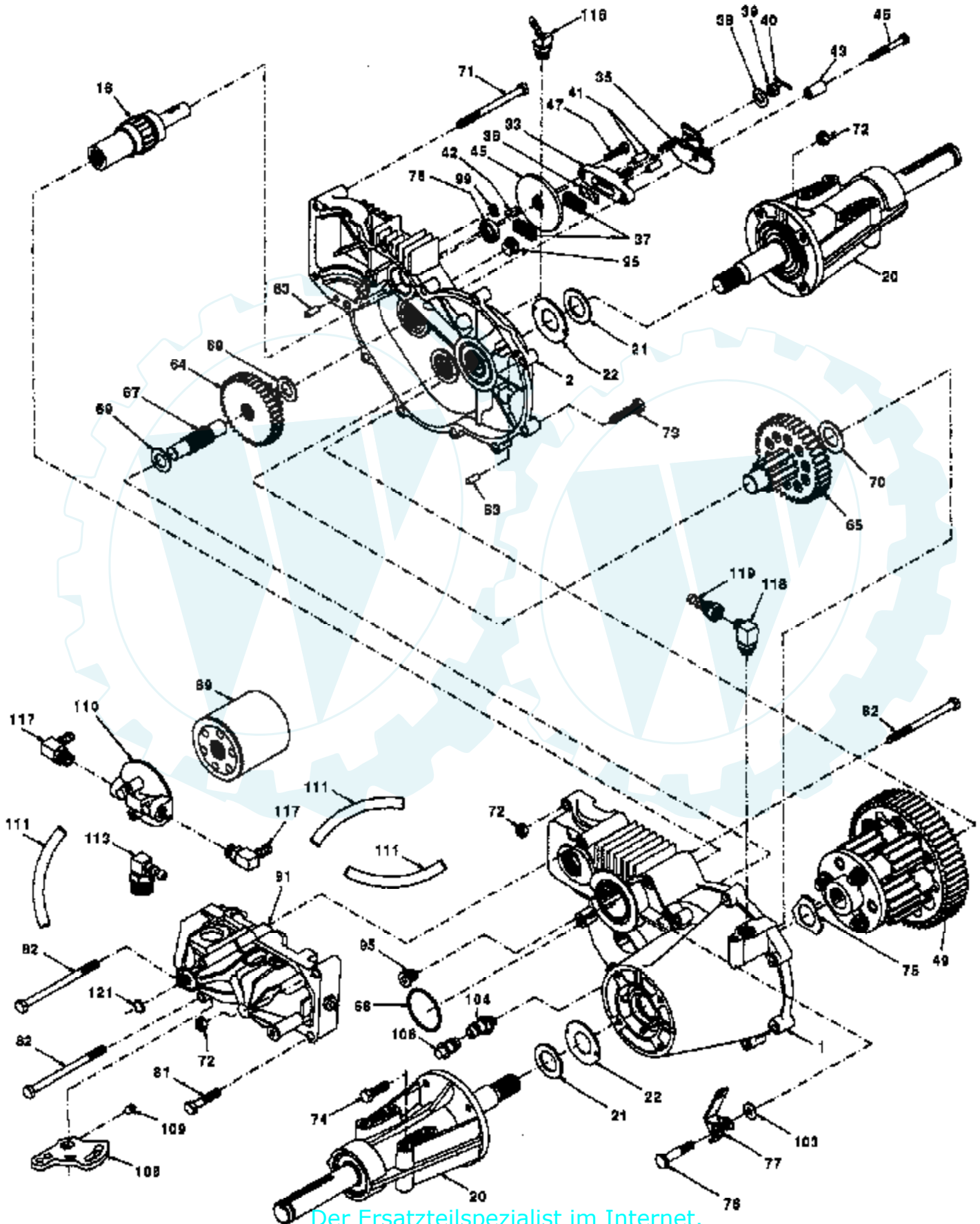
STEERING ASSEMBLY



Ref #	Part Number	Qty	Description
1	133741		SUB= 150547
2	137094		SUB= 532137094
3	6855M		ZERK M
4	136960		SPINDLE.ASM.LH
5	136959		SUB= 918136959
6	6266H		WASHER .T
7	121748X		WASHER
8	12000029		RING
9	121232X		CAP
10	74781044		BOLT
11	136518		SPACER BEARING
12	73901000		"NUT-LOC,FLANGE LT"
13	121749X		WASHER
14	10040600		LOCKWASHER
15	73610600		SUB= 7810H
16	104591X		SHAFT STEERING GT
17	137347		ROD.ASM.TIE.BALL
18	137155		DRAGLINK.BALL.JOI
19	138053		SUB= 144673
21	100711L		ADAPTER LT
22	1554J		SUB= 155108
23	17431008		SUB= 98000165
24	19133808		WASHER T
25	74780616		BOLT
26	133742		ST WHL INSERT CAP
27	3366R		COL. SRTG. BEAR.
28	73800600		NUT
29	104239X		"FLANGE GT, BEAR."
30	12000034		KLIP RING
31	138136		BUSHING.NYLINER.
32	19111610		WASHER
33	10040500		LOCKWASHER
34	74760512		BOLT
35	138059		GEAR.ASM.SECTOR.
36	137156		SUB= 137347
37	73360600		NUT
38	109850X		JOINT.RH
39	73700600		NUT
40	109851X		JOINT.LH

20 HP 50" TRACTOR - - MODEL NUMBER TS20H50A

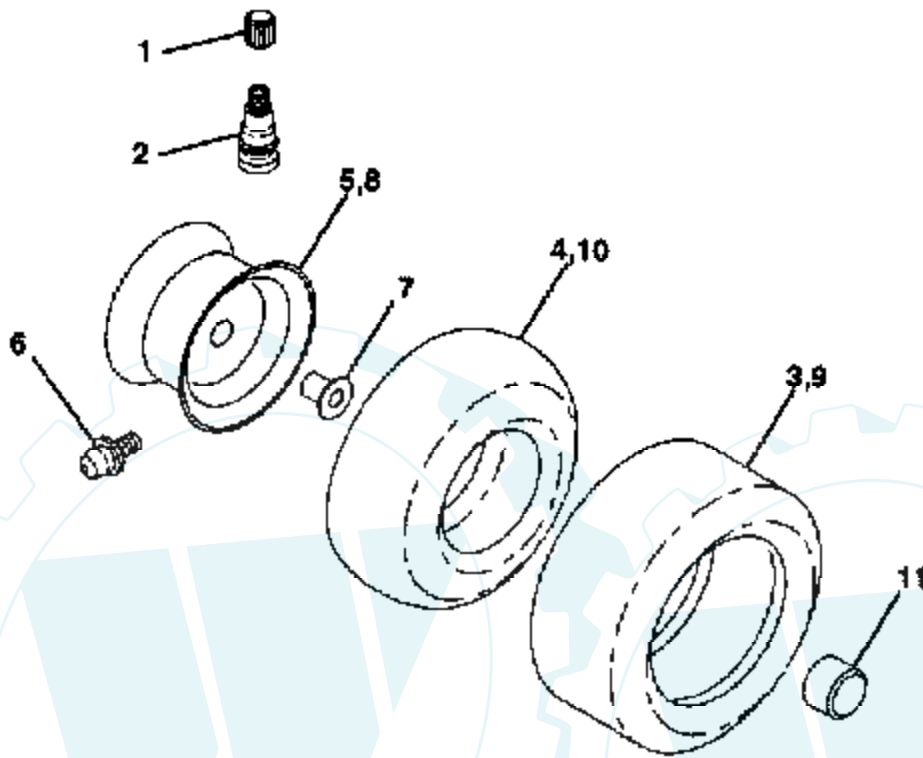
TRANSAXLE HYDRO-GEAR 214-3010



Ref #	Part Number	Qty	Description
1	142874		HOUSING LH 70086
2	142875		HOUSING RH 70088
16	142876		SHAFT BRAKE 62877
20	142877		AXLE MTG 70087
21	142878		WASHER 44805
22	142879		WASHER 44806
33	142929		YOKE.BRAKE.62589
35	142880		ARM BRAKE 50214
36	142882		PUCK PLATE 44134
37	142883		PUCK BRAKE 44132
38	142884		WASHER HYD 44130
39	142885		SUB= 144607
40	142886		SUB= 144608
41	142887		PIN BRAKE 44127
42	142888		KEY HI PRO 44143
43	142889		SPACER 50259
45	142890		DISC BRAKE 44090
46	142891		BOLT 1/4-20 44276
47	142892		BOLT 1/4-20 44433
49	142893		DIFFERENTIAL62834
63	142894		PIN DOWL 44757
64	142896		GEAR R14-38 44775
65	142897		PINION DRIV 70051
67	142898		SHAFT-44779
68	142899		O RING 44781
69	142900		WASHER 44795
70	142901		WASHER 44794
71	142902		BOLT 5/16 44827
72	142903		NUT HXLK 43064
73	142904		BOLT 5/16 44841
74	142905		SCREW 5/16 45089
75	142906		WASHER DIF 44880
76	142907		BOLT SHOULD 44785
77	142908		ARM FREEWHL 44786
78	142909		SEAL.OIL.44761
81	142910		BOLT 5/16 43084
82	142911		BOLT 5/16 44820
89	142912		FILTER SPIN 50037
91	142913		SUB= 144576
95	142914		PLUG.9005110-5600
99	142915		SUB= 142904
103	142916		WASHER.50169
104	142917		CAP.VENT.70109
106	142918		O-RING.ASM.70110
108	142919		ARM.CONTROL.45007
109	142920		SCREW.SET.50018.
110	142921		FILTER.HEAD.50207
111	142922		HOSE.5/16.50208.
113	142923		FITTING.SAE.50210
116	142924		FITTING.SAE.50213
117	142925		FITTING.SAE.50249
118	142926		FITTING.MAL.50251
119	142927		FITTING.FEM.50250
121	142928		RING.RET.2003016.

20 HP 50" TRACTOR - - MODEL NUMBER TS20H50A

WHEELS & TIRES



NOTE: All component dimensions given in U.S. inches
1 inch = 25.4 mm

Ref #	Part Number	Qty	Description
1	59192		VALVE CAP
2	65139		VALVE STEM LT
3	106230X		SUB= 122075X
4	8134H		TUBE.16X6.5/7.5-8
5	106228X417		RIM.FRONT.
6	6856M		ZERK FITTING M
7	9040H		"FLANGE, BEARING"
8	106277X417		"WHEEL, REAR"
9	105588X		SUB= 122077X
10	7154J		TUBE.23X8/10-12
11	104757X		HUB CAP
12	278H		FITTING LT

