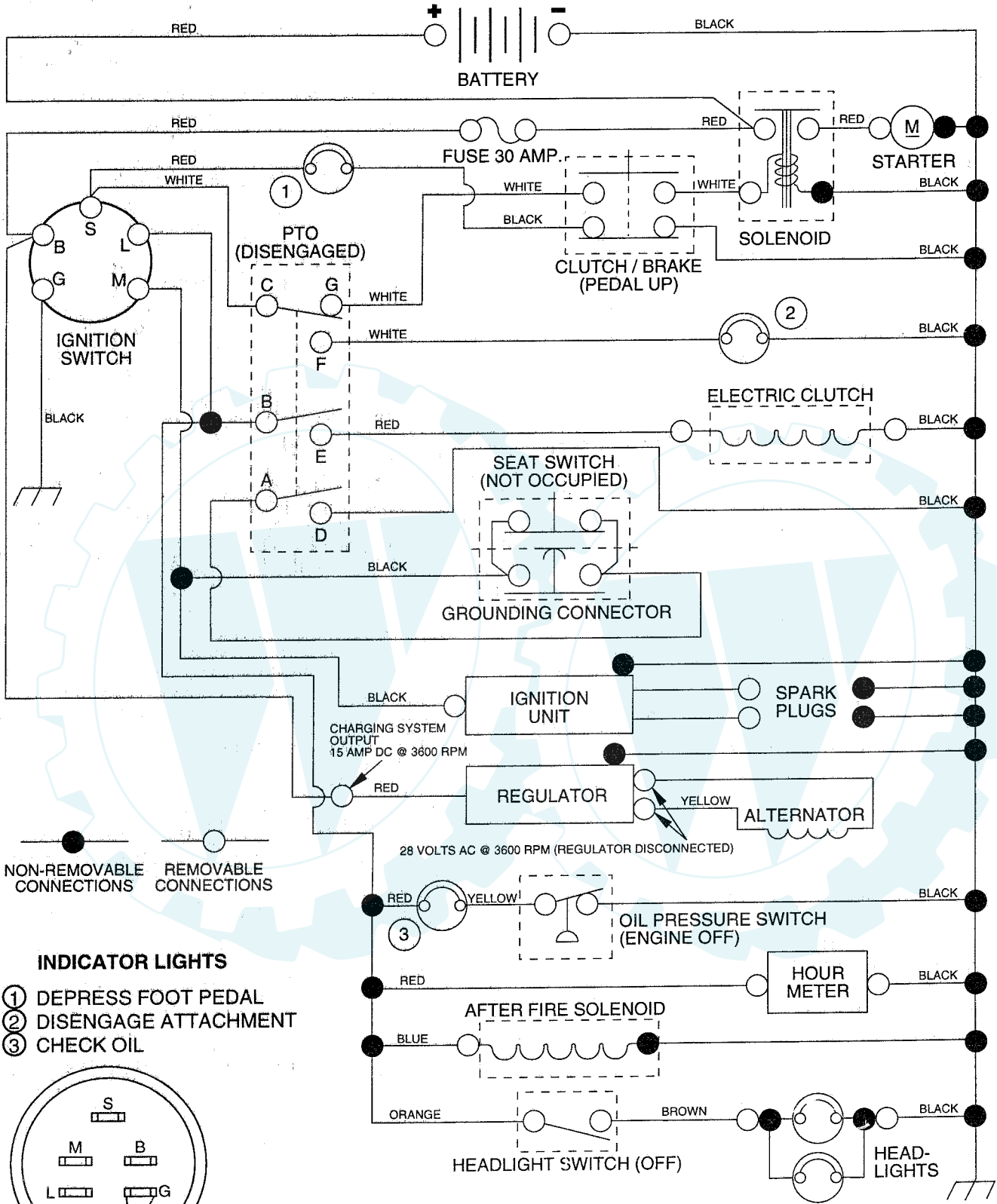


TRACTOR -- MODEL NUMBER TS20C51A

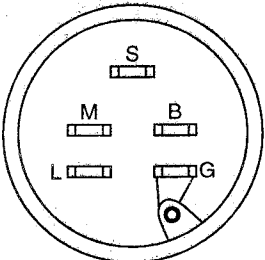
SCHEMATIC



NON-REMOVABLE CONNECTIONS REMOVABLE CONNECTIONS

INDICATOR LIGHTS

- ① DEPRESS FOOT PEDAL
- ② DISENGAGE ATTACHMENT
- ③ CHECK OIL



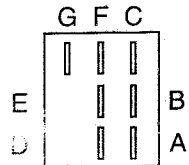
IGNITION SWITCH

POSITION	CIRCUIT
OFF	M + G
ON	B + L
START	B + S + L

WIRING INSULATED CLIPS
 NOTE: IF WIRING INSULATED CLIPS WERE REMOVED FOR SERVICING OF UNIT, THEY SHOULD BE REPLACED TO PROPERLY SECURE YOUR WIRING.

PTO SWITCH

POSITION	CIRCUIT
OFF	C + G
ON	C + F, B + E, A + D

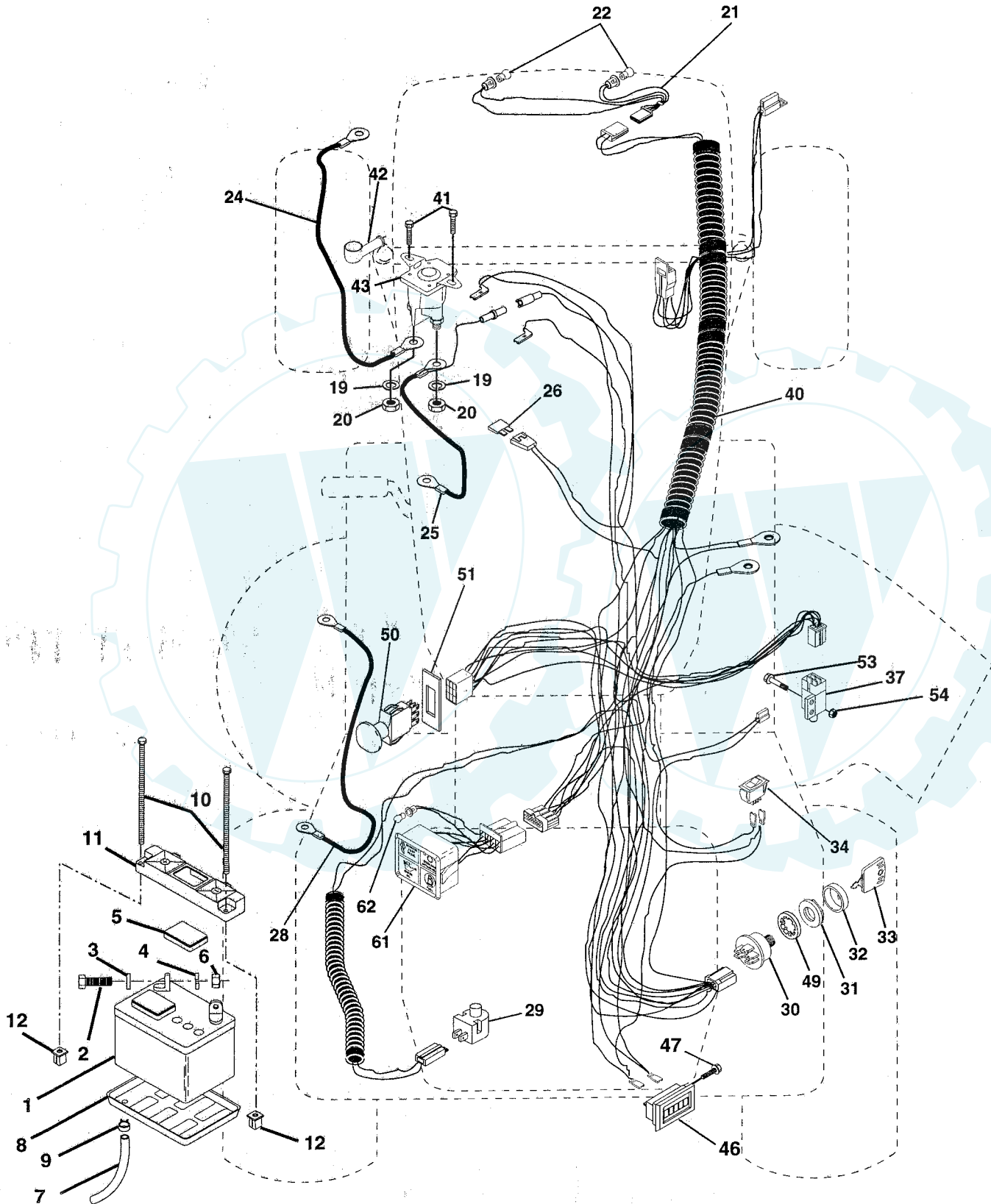


REPAIR PARTS

www.ersatzteil-service.de

TRACTOR - - MODEL NUMBER TS20C51A

ELECTRICAL



TRACTOR - - MODEL NUMBER TS20C51A

ELECTRICAL

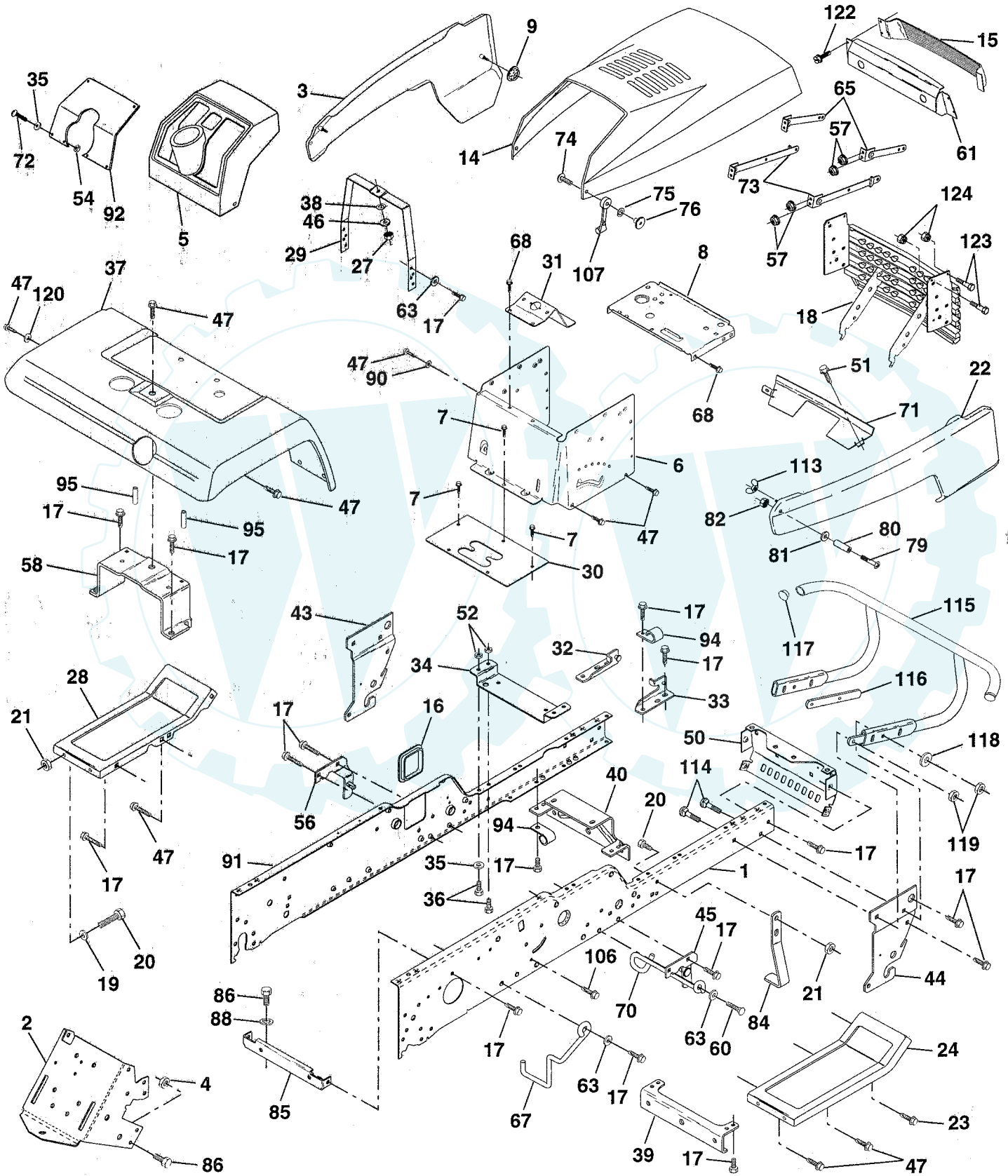
KEY NO.	PART NO.	DESCRIPTION
1	121537X	Battery
2	74760412	Bolt Hex Head 1/4-20 x 3/4
3	10040400	Washer, Lock 1/4
4	19091016	Washer 9/32 x 5/8 x 16 Ga
5	121264X	Caps, Battery
6	73220400	Nut Fin Hex 1/4-20
7	7697J	Tube Plastic
8	7603J	Tray, Battery
9	109596X	Clamp, Hose
10	145211	Bolt, Battery 1/4-20 x 7-1/2 Zinc
11	145209	Holddown Battery Dash Mount
12	145769	Nut, Push Nylon 1/4"
19	10090400	Washer, Lock 1/4
20	73350400	Nut, Jam Hex 1/4-20
21	136850	Harness Socket Light w/4152J
22	4152J	Bulb Light
24	4014J	Cable, Starter
25	146686	Cable, Battery
26	108824X	Fuse
28	6408R	Cable, Ground
29	121305X	Switch, Plunger
30	144921	Switch, Ign
31	140400	Nut, Ignition Switch
32	141226	Cover Switch Key
33	140401	Key
34	110712X	Switch, Light
39	109553X	Intlk Switch
40	147341	Harness Ign.
41	17720408	Screw 1/4-20 x 1/2
42	131563	Cover, Terminal Red
43	145673	Solenoid
46	110940X	Meter Hour
47	17011008	Screw #10-24 x 1/2
49	11151000	Washer Lock Internal Tooth 5/8
50	140404	Switch, PTO
51	140405	Ring Retainer PTO
53	71031008	Screw Hex Washer Hd #10-32 x 1
54	73951000	Nut Keps #10-32
61	138101	Light Pkg Asm #5
62	110143X	Bulb Dashboard Light

NOTE: All component dimensions given in U.S. inches
1 inch = 25.4 mm

REPAIR PARTS

TRACTOR -- MODEL NUMBER TS20C51A

CHASSIS AND ENCLOSURES



REPAIR PARTS

TRACTOR - - MODEL NUMBER TS20C51A

CHASSIS AND ENCLOSURES

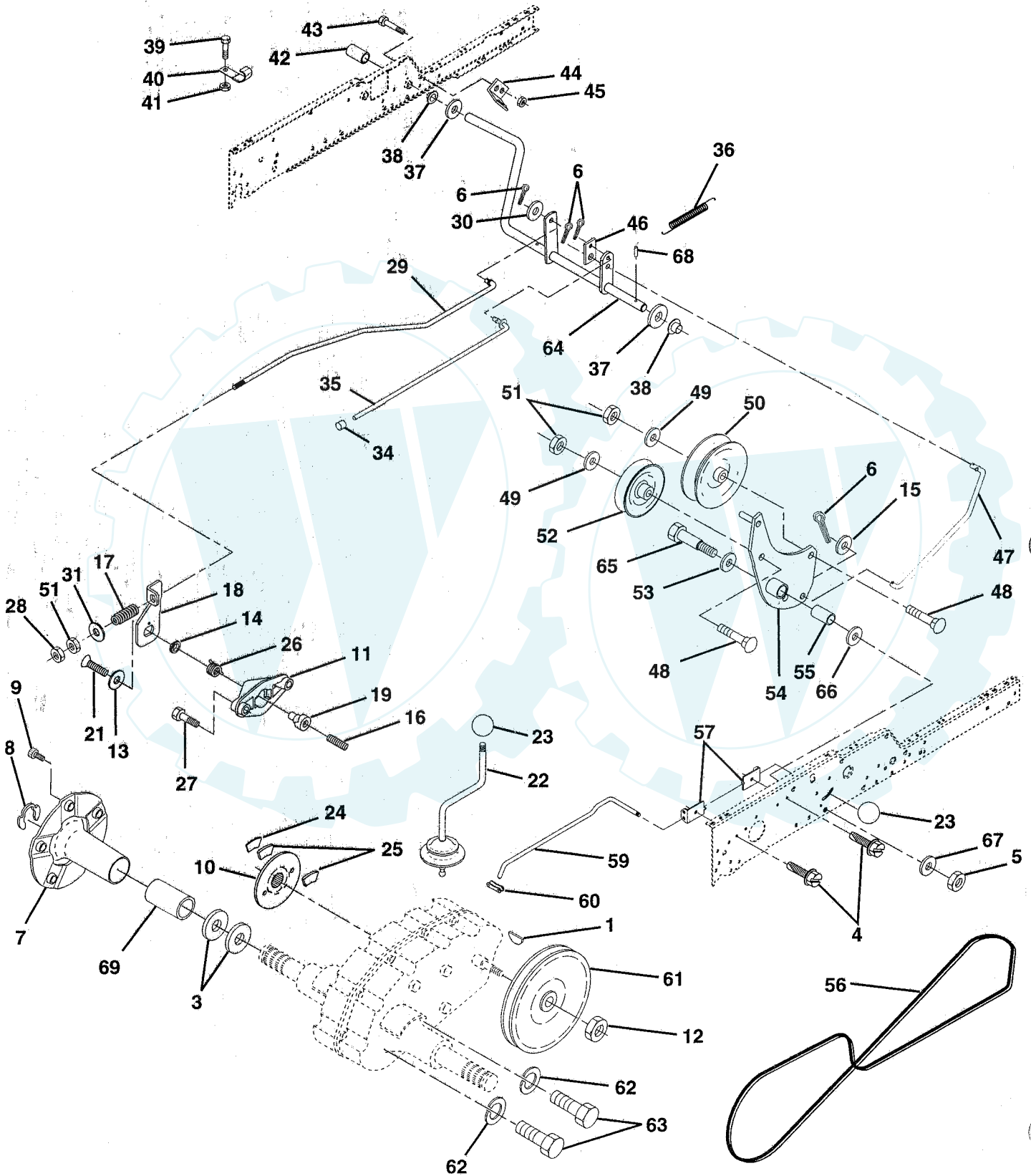
KEY NO.	PART NO.	DESCRIPTION	KEY NO.	PART NO.	DESCRIPTION
1	144737	Rail, Frame RH	57	73510400	Nut Keps Hex 1/4-20 Unc
2	140506	Drawbar, Gt	58	137113	Bracket Asm., Fender
3	140678X505	Panel Asm., Side LH	60	17490620	Screw Thdrol 3/8-16 x 1-1/4
4	73680700	Nut Crownlock 7/16-14 Unc	61	124392X417	Bezel Asm.
5	140398	Dash, Plastic Black	63	19131614	Washer 13/32 x 1 x 14 Ga.
6	145053	Dash 1-Pcs, Lower	65	149577	Strap, Asm. Hinge Front
7	17720408	Screw, Thd Cut 1/4-20 x 1/2	67	140737	Guide Belt Trans VGT
8	145166	Support, Battery	68	17490508	Screw, Thdrol 5/16-18 x 1/2
9	108067X	Nut, Pal	70	137159	Guide, Belt Mid Span
14	132635X505	Hood Asm., Pnt	71	144916X505	Strap Grille
15	146459	Lens/Clip Asm. Bar Clear	72	74180512	Screw, Mach Trhd 5/16-18 x 3/4
16	121794X	Cover, Access	73	149580	Strap, Asm. Hinge Rear
17	17490612	Screw, Thdrol 3/8-16 x 3/4	74	74191008	Screw, Machine #10-24
18	140037	Grille	75	10071000	Washer, Lock #10
19	19131312	Washer 13/32 x 13/16 x 12 Ga.	76	2029J	Nut, Weld #10-24
20	74760616	Bolt, Fin Hex 3/8-16 x 1	79	74981020	Screw, Machine #10-24 x 1/4
21	73680600	Nut Crownlock 3/8-16 Unc	80	7206J	Spacer, Split
22	140679X505	Panel Asm., Side RH	81	19070818	Washer 7/32 x 1/2 x 18 Ga.
23	17490616	Screw Thdrol. 3/8-16 x 1 Ty-Tt	82	73731000	Nut #10-24
24	145243X505	Footrest, RH	84	142992	Stop, Over Center Mower
27	73220400	Nut, Fin Hex 1/4-20	85	144911	Bracket Support Transaxle VGT
28	145244X505	Footrest, LH	86	74760716	Bolt, Fin Hex 7/16-14 Unc x 1
29	145205	Bracket, Support Dash	88	10040700	Washer Lock Nvy HLCL SPR 7/16
30	145051X014	Saddle, Slkscr Vgt	90	11050600	Washer, Lock External Tooth 3/8
31	145183	Brace, Support Steering	91	144735	Rail, Frame Lh
32	141315	Bracket Asm., Frame Pivot Lh	92	140130X012	Plate, Silkscreen Dash
33	141314	Bracket Asm., Frame Pivot Rh	94	100207K	Clip, Fuel Line
34	142131	Bracket, Engine Support Rear	95	105531X	Push Nut, Nylon
35	19111116	Washer 11/32 x 11/16 x 16 Ga.	106	138776	Bolt 5/16-18 Type TT
36	74780512	Bolt, Fin Hex 5/16-18 x 3/4	107	109808X	Latch, Chute Blk
37	121642X505	Fender, Pnt.	113	123198X	Nut, Plastic Locking Wing 1/4-20
38	10040400	Washer, Lock 1/4	114	72140610	Bolt, Carriage 3/8-16 x 1-1/4
39	136961	Bracket, Axle Front	115	141460	Bumper Asm.
40	142132	Bracket, Support Axle/Engine	116	141461	Bracket, Extension
43	136939	Bracket, Spnsn Front Lh	117	143679	Plug, Plastic
44	136940	Bracket, Spnsn Front Rh	118	19131316	Washer 13/32 x 13/16 x 16 Ga.
45	138460	Bracket Asm., Susp Chassis Rh	120	19131616	Washer 13/32 x 1 x 16 Ga.
46	19091216	Washer 9/32 x 3/4 x 16	122	17030814	Screw Lock Spider #8 x 7/8
47	17490608	Screw Thdrol 3/8-16 x 1/2	123	123481X	Bolt Shoulder 1/4-20
50	136575	Bracket, Chassis Front	124	73800400	Nut, Lock W/Ins 1/4
51	17580408	Screw, Tap Tite 1/4-20 x 1/2	--	8022J	Plug, Hole
52	73680500	Nut, Crownlock 5/16-18			
54	73510500	Nut 5/16-18			
56	138461	Bracket Asm., Susp Chassis Lh			

NOTE: All component dimensions given in U.S. inches
1 inch = 25.4 mm

REPAIR PARTS

TRACTOR - - MODEL NUMBER TS20C51A

GROUND DRIVE



TRACTOR - - MODEL NUMBER TS20C51A

GROUND DRIVE

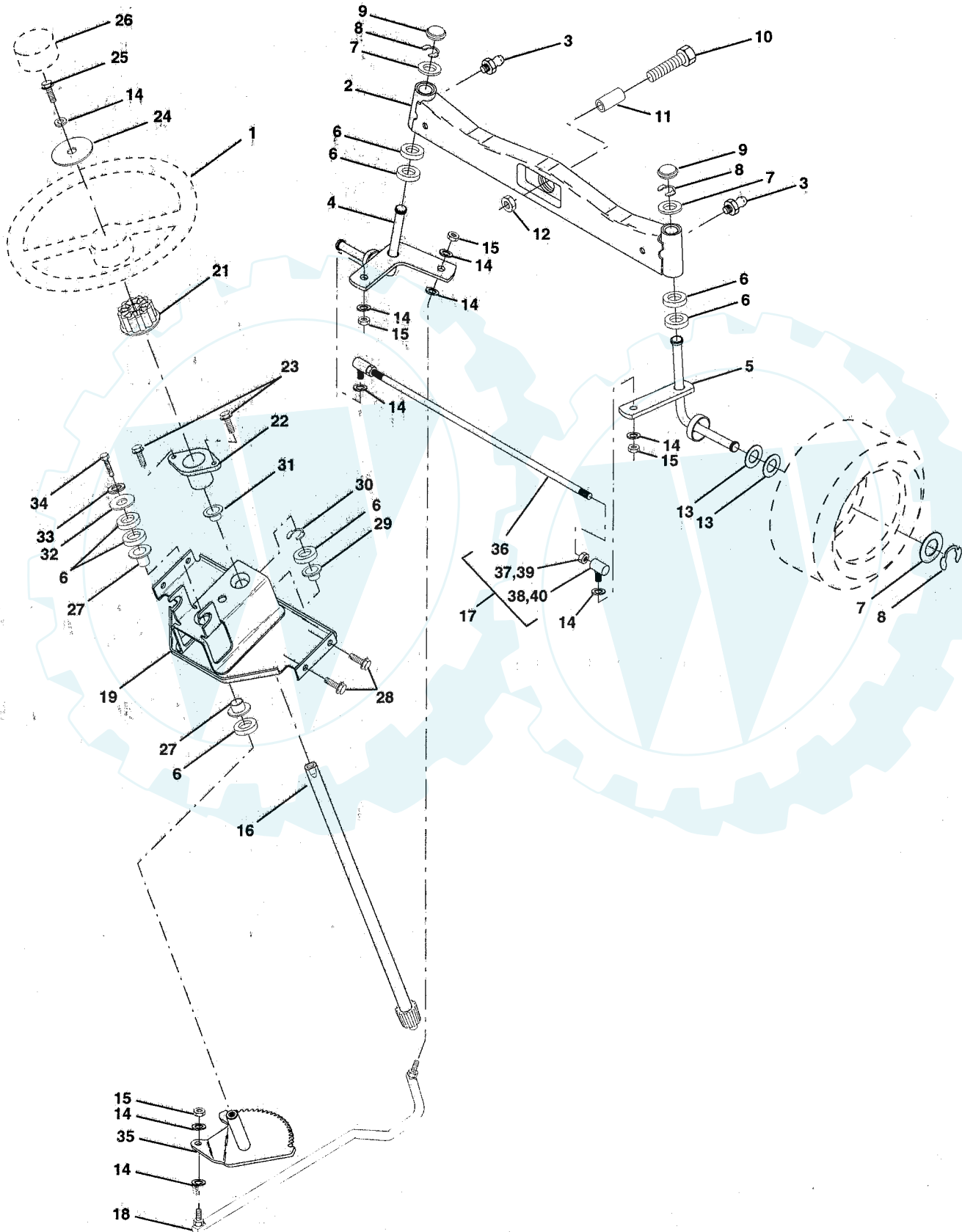
KEY NO.	PART NO.	DESCRIPTION	KEY NO.	PART NO.	DESCRIPTION
1	9858M1	Key Woodruff	39	74321016	Screw Fin #10-24 x 1
3	7563R	Washer Thrust Axle Harden	40	5304J	Actuator Interlock Switch
4	17490508	Screw Thdrol 5/16-18 x 1/2 TYT	41	73631000	Nut Lock #10-24
5	73680600	Nut Crownlock 3/8-16	42	8883R	Cover Pedal
6	76020412	Pin Cotter 1/8 x 3/4	43	74760412	Bolt Hex Head 1/4-20 x 3/4
7	149176	Wheel Hub Asm.	44	104601X	Bracket Interlock
8	12000034	Ring Klip	45	73800400	Nut Lock W/Insert 1/4-20
9	140080	Bolt Hub	46	145170	Retainer Spring
10	142509	Disc Brake	47	138228	Clutch Rod
11	136927	Yoke Brake Disc	48	72110614	Bolt Carriage 3/8-16 x 1-3/4 Gr 5
12	9204H	Locknut 1/2-20	49	19131413	Washer 13/32 x 7/8 x 13 Ga
13	139419	Washer Special	50	131494	Pulley Idler Flat
14	138901	Bushing	51	73680600	Nut Crownlock 3/8-16 UNC
15	19131316	Washer 13/32 x 13/16 x 16 Ga	52	139123	Pulley Idler Grooved
16	143012	Set Screw 1/4-28 x 3/4	53	207J	Washer Hardtened
17	126909X	Spring	54	138390	Clutch Arm Asm
18	137104	Lever Brake	55	105706X	Bearing, Idler
19	136926	Cam Brake Disc	56	137153	V-Belt
21	23260412	Screw 1/4-28 x 3/4	57	141756	Bracket Shift Rod Hi-Lo
22	633A109	Gearshift Lever Assembly	59	122253X	Shift RodHi-Lo
23	121466X	Knob	60	122268X	Spring Clip Connecting Link
24	136925	Support Puck Brake	61	137524	Pullery Transaxle
25	136923	Puck Brake Top	62	10040700	Washer Lock 7/16
26	137552	Spring Return	63	74760720	Bolt Fin Hex 7/16-14 x 1-1/4
27	17490528	Screw Hex Wsh Thd 5/16-18 x 1-3/4	64	137649	Shaft Clutch/Brake Pedal
28	73350600	Nut Hex Jam 3/8-16	65	67609	Bolt Shoulder
29	137213	Brake Rod	66	140296	Washer Hardened
30	19131616	Washer 13/32 x 1 x 16Ga	67	19131312	Washer 13/32 x 13/16 x 12 Ga.
34	71673	Cap Brake	68	5142H	Pin Roll
35	137648	Rod Parking Brake	69	136327	Hub Cover
36	149412	Spring Extension			
37	121749X	Washer 25/32 x 1-1/4 x 16 Gauge			
38	110895X	Nyliner			

NOTE: All component dimensions given in U.S. inches
1 inch = 25.4 mm

REPAIR PARTS

TRACTOR - - MODEL NUMBER TS20C51A

STEERING ASSEMBLY



REPAIR PARTS

TRACTOR - - MODEL NUMBER TS20C51A

STEERING ASSEMBLY

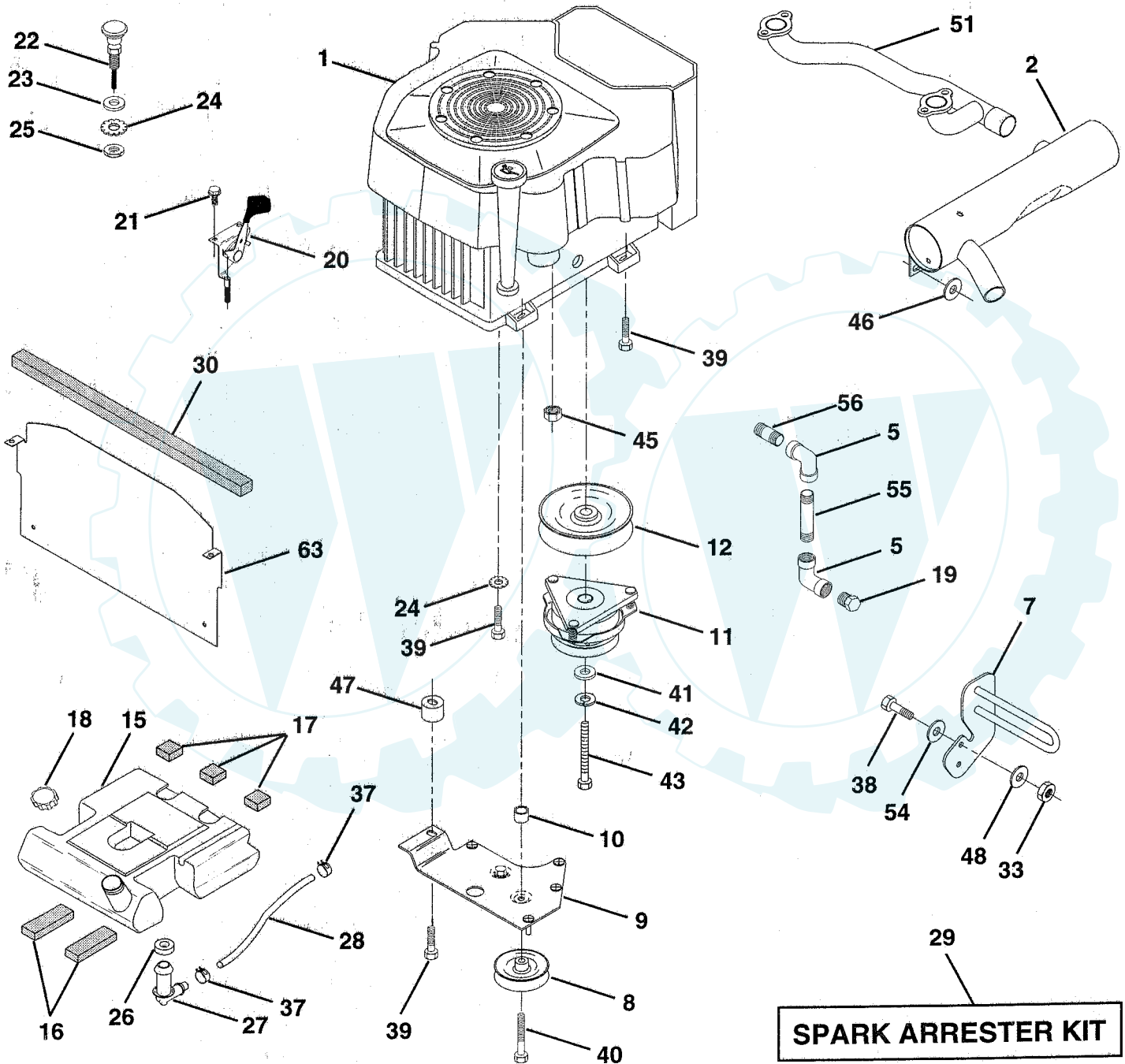
KEY NO.	PART NO.	DESCRIPTION
1	133741	Wheel, Steering
2	137094	Axle Asm., Front
3	6855M	Fitting, Grease
4	136960	Spindle Asm, LH
5	136959	Spindle Asm., RH
6	6266H	Bearing, Race Thrust Harden
7	121748X	Washer 25/32 x 1-5/8 x 16 Ga.
8	12000029	Ring, Klip #T5304-75
9	121232X	Cap, Spindle
10	74781044	Bolt, Fin Hex 5/8-11 x 2-3/4
11	136518	Spacer, Brg. Axle Front
12	73901000	Nut, Lock Flange 5/8-11 Unc
13	121749X	Washer 25/32 x 1-1/4 x 16 Ga.
14	10040600	Washer, Lock Hvy Hlcl Spr 3/8
15	73610600	Nut, Fin Hex 3/8-24 Unf
16	145103	Shaft Asm., Steering
17	137347	Rod Asm., Tie Ball J Ball Vgt (Inc. Key No. 36-40)
18	137155	Draglink, Ball Joint Solid Vgt
19	146611	Support Asm., Steering Vgt
21	100711L	Adapter, Wheel Steering
22	1554J	Bushing, Strg. Blk
23	17431008	Screw, Siftp #10-16 x 1/2 Ty-b
24	19133808	Washer 13/32 x 2-3/8 x 8 Ga.
25	74780616	Bolt, Fin Hex 3/8-16 x 1 Gr. 5
26	133742	Cap, Wheel Steering
27	3366R	Bearing, Col. Strg.
28	17490612	Screw Thdrol 3/8-16 x 3/4 Ty-Tt
29	104239X	Bearing, Flange
30	12000034	Ring, Klip Truarc #5304-75
31	138136	Bushing, Nyliner Snap
32	19111610	Washer 11/32 x 1 x 10 Ga.
33	10040500	Washer, Lock Hvy Hlcl Spr 5/16
34	74760512	Bolt, Hex Hd 5/16-18 x 3/4
35	138059	Gear, Sector Steering
36	137156	Tie Rod
37	73360600	Jam Nut RH Thread
38	109850X	Joint Asm. Ball RH Thread
39	73700600	Jam Nut LH Thread
40	109851X	Joint Asm. Ball LH Thread

NOTE: All component dimensions given in U.S. inches
1 inch = 25.4 mm

REPAIR PARTS

TRACTOR - - MODEL NUMBER TS20C51A

ENGINE



REPAIR PARTS

TRACTOR - - MODEL NUMBER TS20C51A

ENGINE

KEY NO.	PART NO.	DESCRIPTION
1	-----	Engine Kohler, Model No. CV20S
2	144636	Muffler VGT Cylinder
5	13200300	Elbow STD 90 Degree 3/8 - 18 NPT
7	143599	Muffler Assembly Guard
8	121361X	Pulley V-Idler
9	145109	Stop Keeper Asm VGT
10	105432X	Bushing
11	140923	Clutch Electric
12	143996	Pulley Engine VGT Elect Clutch
15	141069	Tank Fuel W/Sym Vented
16	109227X	Pad Spacer
17	106082X	Pad Spacer
18	140527	Cap Asm Fuel W/Sym Vented
19	13290300	Plug Oil Drain (Order From Engine Manufacturer)
20	132747	Control Throttle
21	17720410	Screw Hex Thd Cut 1/4 - 20 X 5/8
22	132781	Control Choke
23	19131316	Washer 13/32 X 13/16 x 16 Ga
24	11050600	Washer Ext Tooth 3/8
25	73610600	Nut Fin Hex 3/8 - 24 UNF
26	3645J	Bushing
27	139277	Stem Tank Fuel
28	7834R	Fuel Line
29	132920	Spark Arrester Kit
30	105037X	Strip Foam 18"
33	73800600	Nut, Hex W/Ins. 3/8-16 UNC
37	123487X	Clamp Hose
38	74780624	Bolt, Fin Hex 3/8-16 UNC x 1-1/2
39	17490636	Screw TT 3/8-16 x 2-1/4 UNC
40	17490664	Screw TT 3/8-16 x 4 UNC
41	126197X	Washer 1-1/2 OD X 15/32 ID X .250
42	10040700	Washer Lock 7/16
43	150280	Bolt Hex 7/16-20 X 4-1/4 Ga 5 1.38
45	128861	Nut Flange 1/4-20 Starter Nut
46	19131616	Washer 13/32 x 1 x 16 Ga.
47	142040	Spacer Engine CV22 Round PM
48	19132007	Washer 13/32 x 1-1/4 x 7 Ga.
51	140787	Pipe Crossover CV22
54	19131414	Washer Flat 13/32 x 7/8 x 14 Ga.
55	13090336	Nipple, Pipe 3/8 NPT x 4-1/2
56	13090308	Nipple, Pipe 3/8 NPT x 1.00
63	145549	Shield, Heat VGT 22 HP YP/Husq.

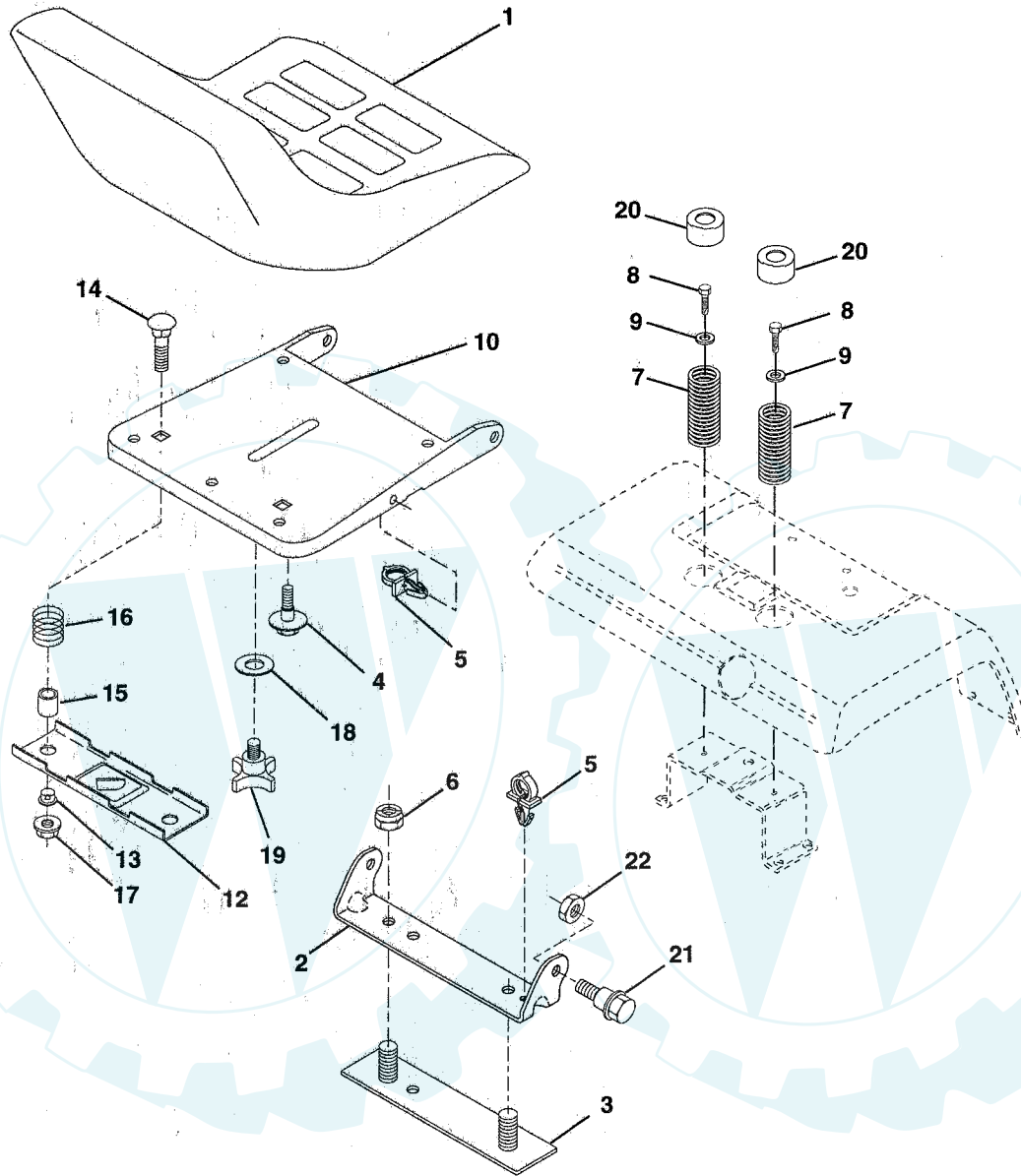
NOTE: All component dimensions given in U.S. inches
1 inch = 25.4 mm

REPAIR PARTS

www.ersatzteil-service.de

TRACTOR - - MODEL NUMBER TS20C51A

SEAT ASSEMBLY



KEY NO. PART NO.

DESCRIPTION

1	129598	Seat
2	140551	Bracket, Pivot Seat
3	140675	Strap, Fender
4	127018X	Bolt, Shoulder 5/16-18 X .62
5	145006	Clip, Push In Hinged
6	73680600	Nut, Crownlock 3/8-16
7	124181X	Spring, Seat Cprsn
8	17490508	Screw, Thdrol 5/16-18 X 1/2
9	19131614	Washer 13/32 X 1 X 14 Ga.
10	140552	Pan, Seat
12	121246X	Bracket, Mounting Switch
13	121248X	Bushing, Snap

KEY NO. PART NO.

DESCRIPTION

14	72050411	Bolt, Carriage 1/4-20 X 1-3/8
15	121249X	Spacer, Split
16	123740X	Spring, Cprsn
17	123976X	Nut, Lock 1/4 Lge Flg Gr. 5
18	19171912	Washer 17/32 X 1-3/16 X 12 Ga.
19	120068X	Knob, Seat 1/2-13 Unc
20	124238X	Cap, Spring Seat
21	139888	Bolt, Shoulder 5/16-18 Unc
22	73680500	Nut, Crownlock 5/16-18 Unc

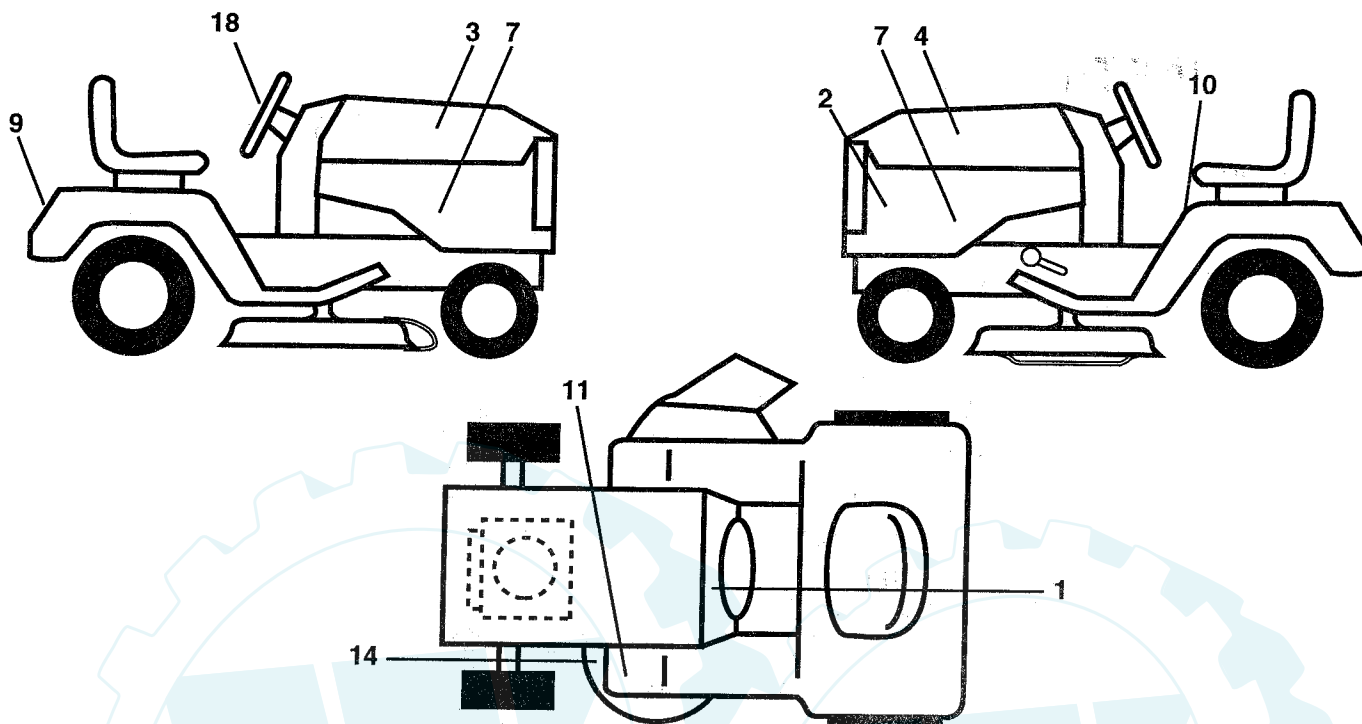
NOTE: All component dimensions given in U.S. inches
1 inch = 25.4 mm

REPAIR PARTS

www.ersatzteil-service.de

TRACTOR - - MODEL NUMBER TS20C51A

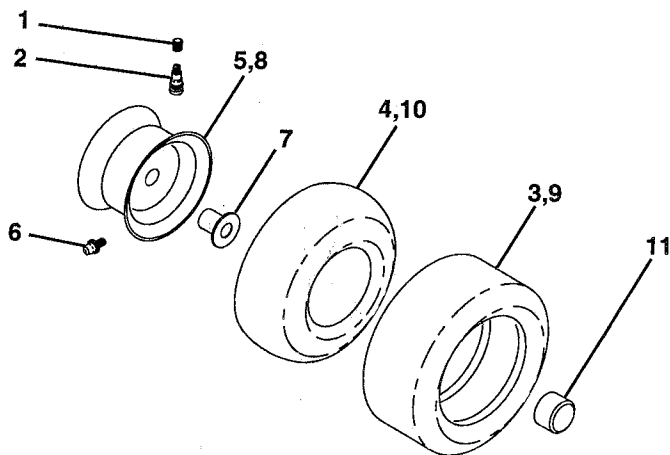
DECALS



KEY NO.	PART NO.	DESCRIPTION
1	138955	Decal, Operating Instruction
2	143096	Decal, Nameplate, Huskee Large
3	143095	Decal, Hood, RH
4	143094	Decal, Hood, LH
7	143101	Decal, Side Panel
9	143109	Decal, Fender
10	133796	Decal, Caution
11	4900J	Decal, Clutch/Brake
14	139346	Decal, V-Belt Schematic
18	143099	Decal, Insert Strg

KEY NO.	PART NO.	DESCRIPTION
--	133671	Pad Footrest Ribbed LT/YT/GT
--	138311	Decal, Handle Lft Height Adjust (Lift Handle)
--	150437	Manual, Owner's (Eng)
Available accessories not included with tractor:		
--	TR30	10" Plow
--	GSB42	Snow Blower
--	TA321	55 lb. Wheel Wts. (Ea.)
--	SH10	Sleeve Hitch
--	TR01	Grader Blade
--	GBD48	Snow Blade

WHEELS & TIRES

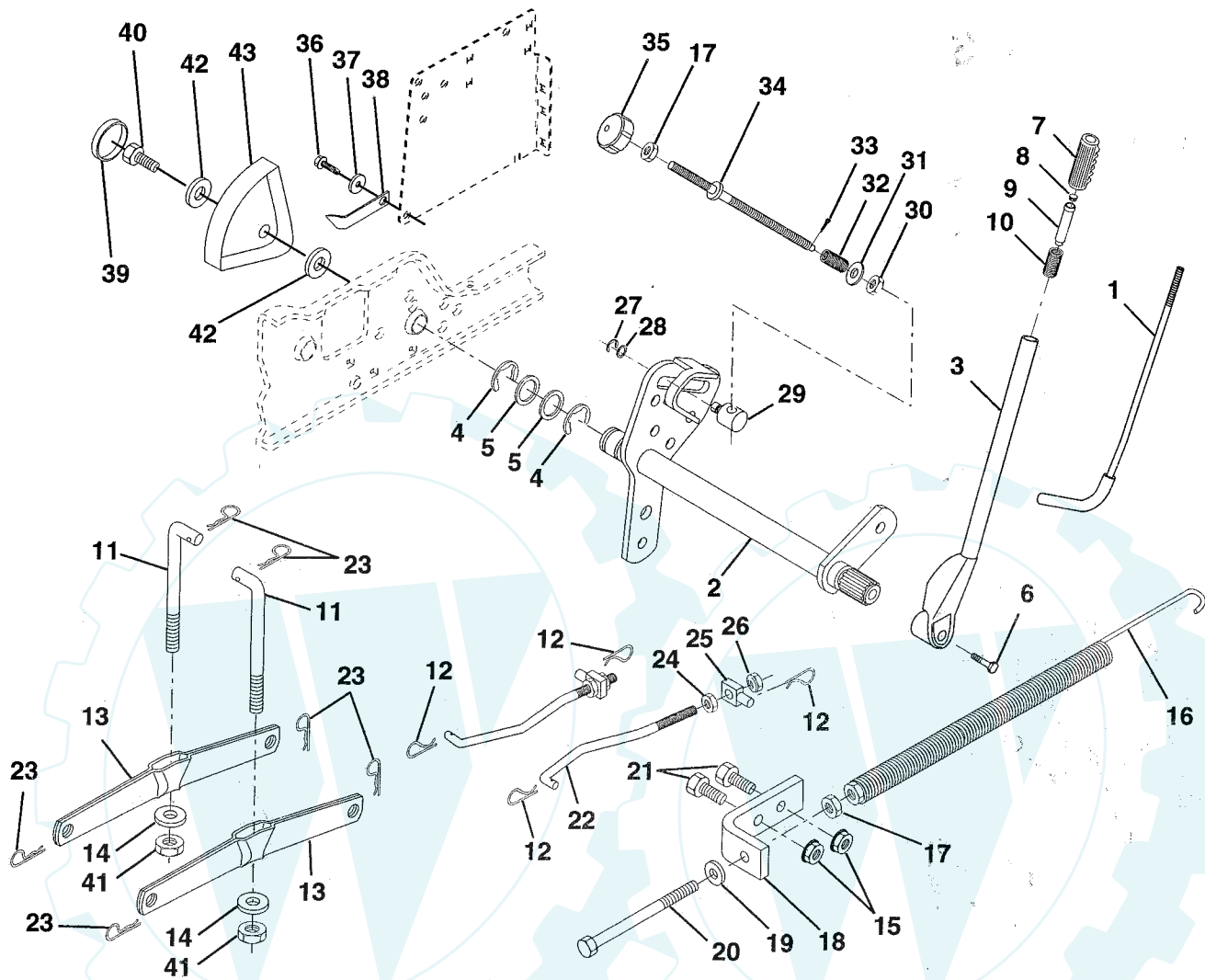


KEY NO.	PART NO.	DESCRIPTION
1	59192	Cap, Valve, Tire
2	65139	Stem, Valve
3	106230X	Tire, Front
4	8134H	Tube, Front (Service Item Only)
5	106228X417	Rim Assembly, Front
6	6856M	Fitting, Grease
7	9040H	Bearing, Flange (Front Wheel Only)
8	106277X417	Rim Assembly, Rear
9	105588X	Tire, Rear
10	7154J	Tube, Rear
11	104757X	Cap, Axle
12	278H	Fitting, Grease
--	144334	Sealant, Tire (10 oz. Tube)

NOTE: All component dimensions given in U.S. inches
1 inch = 25.4 mm

TRACTOR -- MODEL NUMBER TS20C51A

LIFT ASSEMBLY



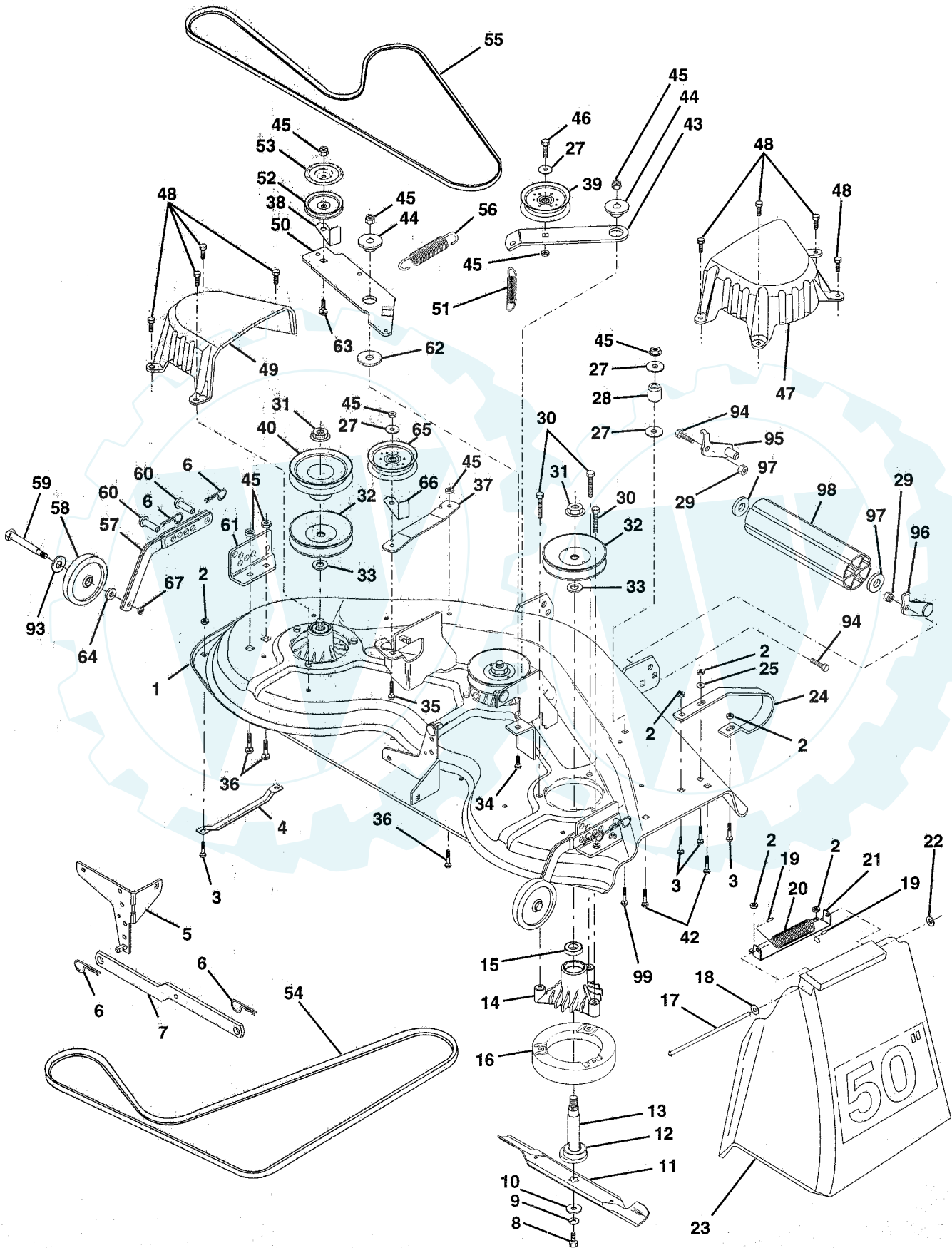
KEY NO.	PART NO.	DESCRIPTION
1	121006X	Rod Asm., Lever
2	145542	Shaft Asm., Lift Vgt
3	121002X	Lever Asm., Lift Rh
4	12000022	E-Ring Truarc #5133-87
5	19292016	Washer 29/32 x 1-1/4 x 16 Ga.
6	74780624	Bolt, Fin Hex 3/8-16 x 1-1/2
7	125631X	Grip, Handle Bicycle
8	124526X	Button, Plunger
9	122364X	Plunger, Lever Lift
10	2876H	Spring 2-1/8"
11	146704	Link Lift
12	3146R	Retainer, Spring
13	139868	Arm, Suspension Vgt
14	140302	Bearing, Pvt. Lift Spherical
15	73680600	Nut, Crownlock 3/8-16 Unc
16	674A247	Spring Asm., Assist Lift
17	73350600	Nut, Hex Jam 3/8-16 Unc
18	143363	Bracket, Spring Assist
19	19131316	Washer 13/32 x 13/16 x 16 Ga.
20	5328J	Bolt, Adjust Spring Assist
21	74760616	Bolt, Fin Hex 3/8-16 x 1
22	127218	Link, Front
23	4939M	Retainer, Spring

KEY NO.	PART NO.	DESCRIPTION
24	73350800	Nut, Jam Hex 1/2-13 Unc
25	130171	Trunnion
26	73800800	Nut, Lock W/Wsh 1/2-13 Unc
27	12000037	Ring, Klip #T5304-37
28	19151216	Washer 15/32 x 3/4 x 16 Ga.
29	110810X	Trunnion, Dp Stop Dbl Thds Plt
30	110807X	Nut, Special
31	19131016	Washer 13/32 x 5/8 x 16 Ga.
32	137150	Spring, Compression Inf Hgt
33	76020308	Pin, Cotter 3/32 x 1/2
34	137167	Rod, Adj Lift
35	138057	Knob, Inf 3/8-16 Unc
36	17490612	Screw, Thdrol 3/8-16 x 3/4
37	120529X	Washer, Nylon
38	123933X505	Pointer, Pnt Height Indicator
39	123935X	Plug, Hole
40	17490512	Screw, Thdrol 5/16-18 x 3/4 Tyt
41	73540600	Nut, Crownlock 3/8-24
42	19112410	Washer 11/32 x 1-1/2 x 10 Ga.
43	123934X	Scale, Indicator Height

NOTE: All component dimensions given in U.S. inches
1 inch = 25.4 mm

TRACTOR - - MODEL NUMBER TS20C51A

MOWER DECK



TRACTOR - - MODEL NUMBER TS20C51A

MOWER DECK

KEY NO.	PART NO.	DESCRIPTION	KEY NO.	PART NO.	DESCRIPTION
1	136457	Deck Asm., Mower 50" Vented	42	72140506	Bolt, Carriage 5/16-18 Unc x 3/4
2	73680500	Nut, Crownlock 5/16-18	43	136460	Arm, Idler Secondary
3	72110506	Bolt, Carriage 5/16-18 x 3/4	44	122052X	Spacer, Retainer
4	7631J	Runner, Mower LH	45	73680600	Nut, Crownlock 3/8-16 Unc
5	138457	Bracket Asm., Sway Bar	46	74760628	Bolt, Fin Hex 3/8-16 Unc x 1-3/4
6	4939M	Retainer, Spring	47	137200	Cover, Mandrel RH
7	130832	Arm Suspension, Rear	48	137729	Screw, Thd Roll 1/4-20 x 5/8
8	850857	Bolt 3/8-24 x 1.25 Gr. 8 Patched	49	136574	Cover, Mandrel LH
9	10030600	Washer, Lock Hvy 3/8 Unplated	50	137272	Arm, Idler Primary
10	140296	Washer, Hard Blade Mower Vented	51	137273	Spring, Secondary
11	137380	Blade (3 Required)	52	139245	Pulley, Idler V Groove
12	129895	Bearing, Ball #6204 (Mandrel)	53	137789	Shield, Idler
13	137553	Shaft Asm., W/Lower Brg (Includes Key No. 12)	54	139573	V-Belt, Mower Primary
14	137152	Housing, Mandrel 50" Vent	55	144959	V-Belt, Mower Secondary
15	110485X	Bearing, Ball Mandrel	56	138687	Spring, Primary
16	140329	Stripper, Mower Vented	57	136577	Bar Asm., Wheel Gauge
17	106735X	Rod, Hinge	58	105455X	Wheel, Gauge
18	19111016	Washer 11/32 x 5/8 x 16 Ga.	59	4898H	Bolt, Shoulder
19	105304X	Cap, Sleeve	60	139031	Pin, Clevis
20	123713X	Spring, Torsion Deflector	61	136573	Bracket, Wheel Gauge
21	137607	Bracket, Deflector	62	133943	Washer Hardened
22	110452X	Nut, Push	63	72110612	Bolt Carriage 3/8-16 x 1-1/2
23	110509X	Shield, Deflector Mower	64	19121414	Washer 3/8 x 3/4 x 14 Ga
24	136320	Runner, RH	65	102403X	Pulley Idler Flat Mower
25	19111216	Washer 11/32 x 3/4 x 16 Ga.	66	139622	Keeper, Belt Idler 50" Vent
27	19131316	Washer 13/32 x 13/16 x 16 Ga.	67	73930600	Nut, Centerlock 3/8-16
28	132823	Spacer, Spring Stop Idler	93	19171512	Washer 17/32 x 15/16 x 12 Ga.
29	73800600	Nut, Lock Hex W/Wsh 3/8-16 Unc	94	74760616	Bolt, Fin Hex 3/8-16 x 1
30	138776	Screw Thdrol Hex Head	95	132274	Bracket, Asm. Noseroller LH
31	137266	Nut, Fig Top Lock Cntr 9/16	96	132273	Bracket, Asm. Noseroller RH
32	129861	Pulley, Mandrel	97	19171416	Washer 17/32 x 7/8 x 16 Ga.
33	129963	Washer, Spacer Mower Vented	98	132264	Roller, Nose
34	72140610	Bolt, Carriage 3/8-16 x 1-1/4	99	72110614	Bolt, Carriage 3/8-16 x 1-3/4 Gr. 5
35	72110616	Bolt, Carriage 3/8-16 x 2	--	143651	Mandrel Asm - Service (Includes Key Nos. 8-10, 12-15, 31 and 33)
36	72110608	Bolt, Carriage 3/8-16 x 1 Gr. 5	--	141051	Mower Asm - Service (Std. Deck - Order separately all nose roller and gauge wheel components)
37	137166	Stiffener, Arm Idler			
38	137554	Keeper, Belt Idler			
39	131494	Pulley, Idler Flat			
40	136572	Pulley, Driven			

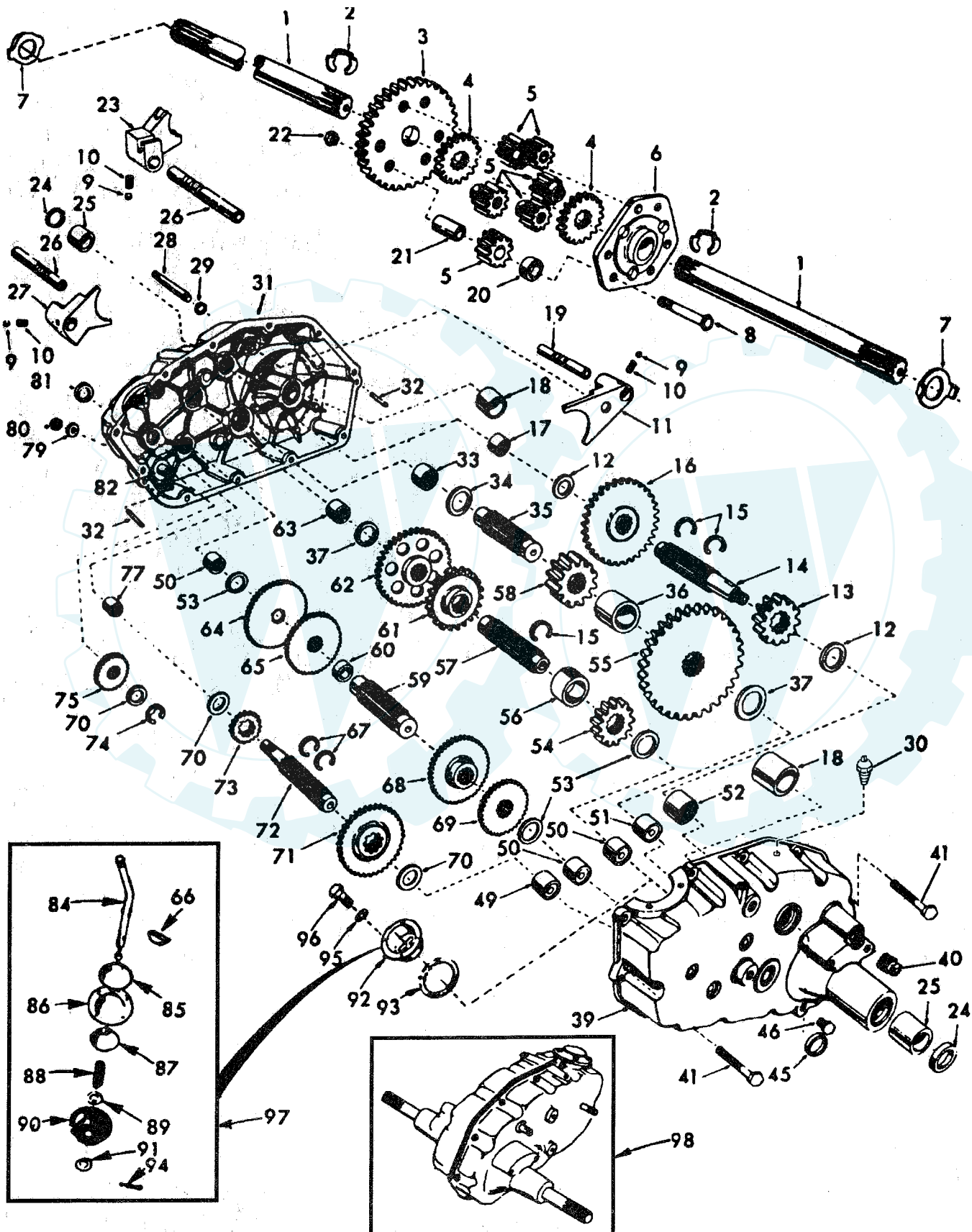
NOTE: All component dimensions given in U.S. inches
1 inch = 25.4 mm

REPAIR PARTS

www.ersatzteil-service.de

TRACTOR -- MODEL NUMBER TS20C51A

TRANSAXLE



TRACTOR - - MODEL NUMBER TS20C51A

TRANSAXLE

KEY PART NO. NO.	DESCRIPTION	KEY PART NO. NO.	DESCRIPTION
1 4197R	Axle Shaft	52 8119M	Needle Bearing
2 12000034	Retaining Ring	53 4220R	Thrust Bearing Race
3 4199R	Final Drive Gear	54 4209R	3rd Reduction Pinion, Low
4 4216R	Differential Gear	55 4213R	4th Reduction Gear
5 4215R	Differential Pinion	56 4442R	3rd Reduction Pinion Spacer
6 4217R	Differential Carrier	57 4195R	2nd Reduction Gear Shaft
7 6256H	Axle Thrust Washer	58 4214R	Final Drive Pinion
8 74020652	Bolt, Hex Head 3/8-24 x 3-1/4 (1" Thread Length)	59 4194R	1st Reduction Gear Shaft
9 7392M	Steel Ball	60 7528R	1st Reduction Shaft Spacer
10 137261	Spring Shift Fork Detent	61 4208R	3rd Reduction Pinion High
11 4985R	Shift Fork, High-Low Range	62 4207R	2nd Reduction Gear
12 6266H	Thrust Bearing Race	63 7398H	Needle Bearing
13 4212R	4th Reduction Pinion	64 4203R	Low Speed Gear and 2nd Reduction Pinion Cluster
14 137125	Shaft, Brake	65 4204R	Reverse Gear
15 6276H	Snap Ring, Crescent Type	66 2898J	Key, Hi-Pro 1/8 x 17/32
16 633A63	High-Low Range Gears	67 12000033	Klip Ring
17 8118M	Needle Bearing	68 4205R	Intermediate Speed Gear
18 8740H1	Sintered Iron Bearing	69 4206R	High Speed Gear
19 122238X	Shift Fork Shaft, High-Low Range	70 1370H	Thrust Bearing Race
20 4218R	Differential Pinion Spacer	71 633A69	Intermediate and High Speed Cluster Pinions
21 6252H1	Differential Pinion Bushing	72 139120	Input Shaft
22 7810H	Gripco Centerlock Nut 3/8-24	73 4201R	Low Speed Pinion
23 6262H	Shift Fork, R.H.	74 12000008	E-Ring
24 7393R	Oil Seal	75 1153R	Reverse Idler Gear
25 992R1	Sintered Iron Bearing	77 6803J	Needle Bearing
26 139111	Shift Fork Shaft	79 1167R	Sealing Washer
27 4986R	Shift Fork, L.H.	80 73360700	Nut, Hex, Jam 7/16-20
28 122254X	Shift Shaft, High-Low Range	81 6270H	Oil Seal
29 6269H	Oil Seal	82 136984	Reverse Idler Shaft
30 5855H	Pressure Relief Valve	84 5384J	Gearshift Lever, Bent
31 139538	Gearcase, Reverse Idler Shaft and Bearings, R.H. (Includes Key No.'s 17, 18, 25, 33, 50, 63, 77 and 82)	85 2978J	Gearshift Cap
32 6277H	Dowel Pin	86 633A85	Gearshift Ball Cover and Pin
33 4225R	Needle Bearing	87 8739H1	Shift Lever Guide Ball, Keyed
34 7396H	Thrust Bearing Race	88 4924H	Spring
35 4198R	4th Reduction Gear Shaft	89 19151516	Washer 15/32 x 15/16 x 16 Gauge
36 4200R	4th Reduction Gear Spacer	90 110542X	Shift Mechanism Seal
37 7395H	Thrust Bearing Race	91 19181511	Washer 9/16 x 15/16 x 12 Gauge
39 139536	Gearcase and Bearings, L.H. (Includes Key Numbers 18, 25, 49, 50 (2), 51 and 52)	92 75J	Gearshift Gate and Reinforcement
40 13320400	Pipe Plug 1/2-14 N.P.T.	93 6274H	Shift Ball Cover Gasket
41 17580520	Bolt, Hex 5/16-18 UNC x 1-1/4	94 76020412	Cotter Pin 1/8 x 3/4
45 6271H	Oil Seal	95 10040500	Washer, Lock 5/16
46 13060200	Pipe Plug 1/4-18 N.P.T.	96 74760514	Bolt, Hex Head 5/16-18 UNC x 7/8
49 4895H	Needle Bearing	97 633A109	Gearshift Lever Assembly
50 4222R	Needle Bearing	98 140332	Transaxle, 6 Speed, Complete Assembly
51 1529R	Needle Bearing		

NOTE: All component dimensions given in U.S. inches
1 inch = 25.4 mm