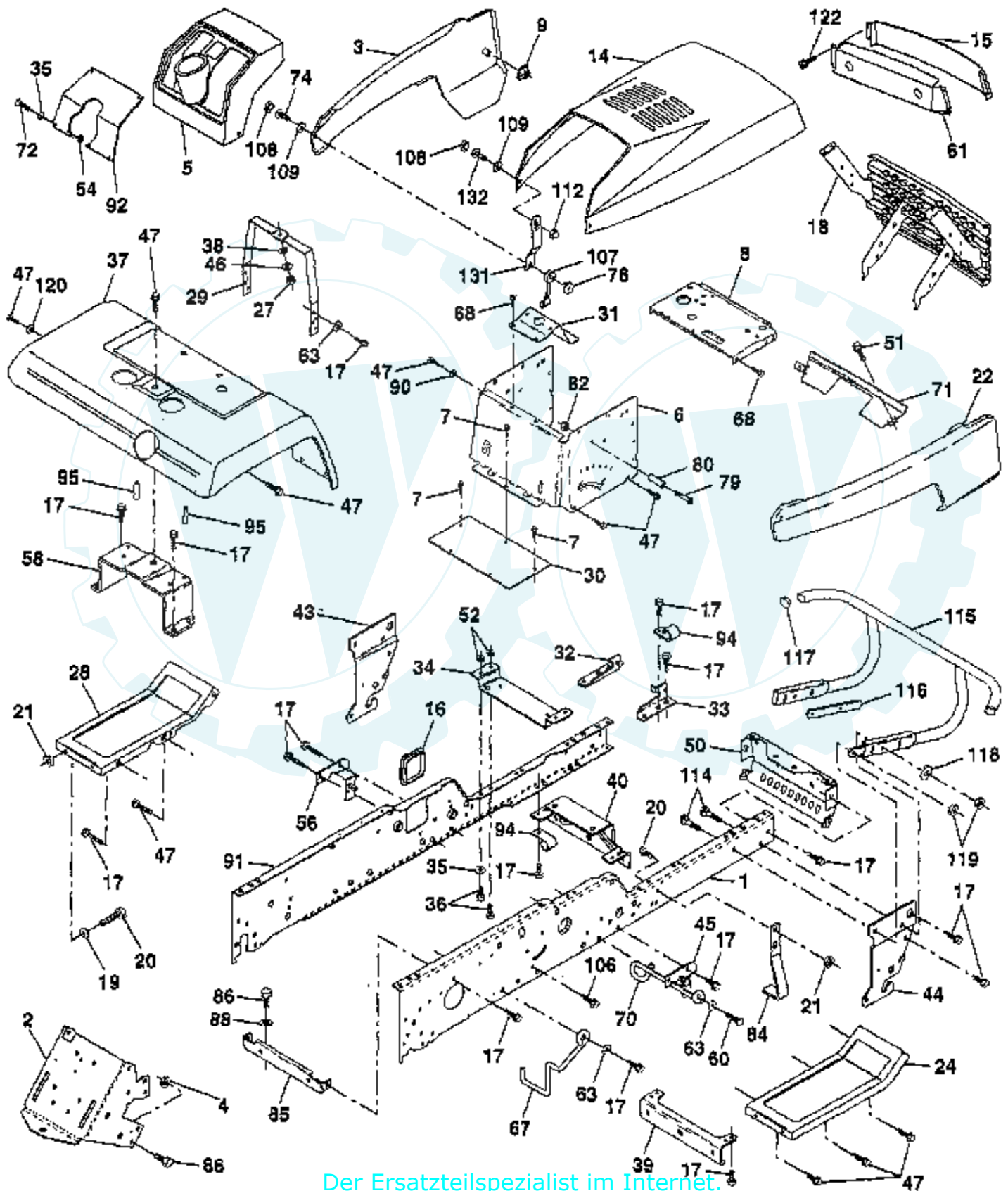


# TRACTOR -- MODEL NUMBER TS2050B

## CHASSIS AND ENCLOSURES

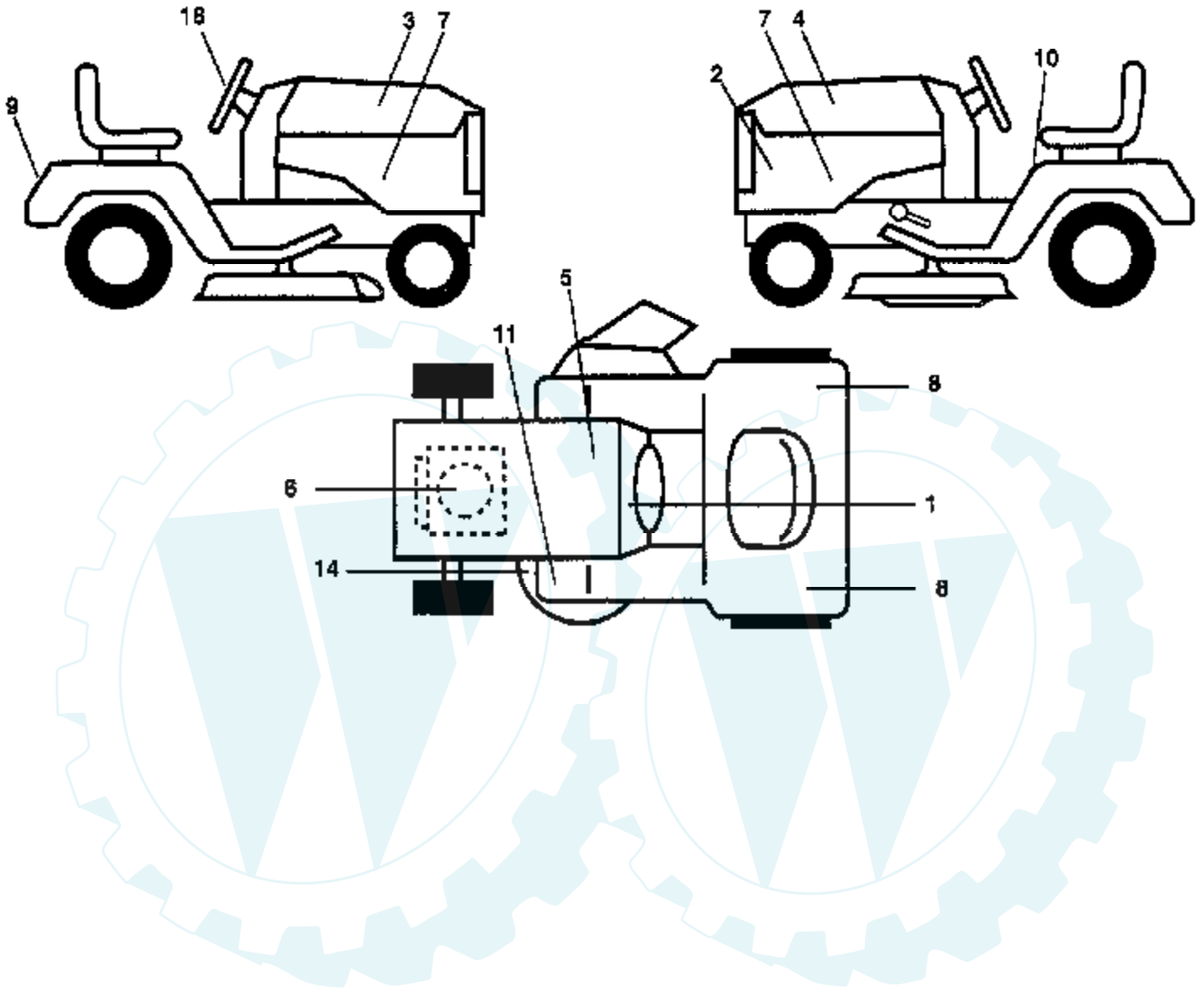


Ref #	Part Number	Qty	Description
1	150253		"RAIL,FRAME RH"
2	140506		DRAWBAR GT
3	150302X505		PANEL ASM SIDE LH
4	73800700		NUT.7/16
5	140398		DASHBOARD BLACK
6	150273		"DASH AS.,LOWER"
7	17720408		SCREW
8	145166		SUPPORT.DASH.BTRY
9	108067X		PAL NUT LT
14	150301X505		HOOD ASM
15	146459		LENS.BAR.CLEAR
16	121794X		COVER ACCESS
17	17490612		SCREW
18	150198		GRILLE
19	19131312		WASHER
20	74760616		BOLT
21	73680600		SUB= 73690600
22	150303X505		PANEL ASM RH
24	145243X505		FOOTREST.RH.LT/GT
27	73220400		SUB= 50675
28	145244X505		FOOTREST.LH.LT/GT
29	145205		DASH.SUPT.YP/HUSQ
30	14505X014		SADDLE SLKSCR VGT
31	145183		BRACKET.SUPT.STEER
32	141315		BRACKET ASM FRAME
33	141314		BRACKET ASM FRAME
34	142131		BRACKET.ENG.SUPT.
35	19111116		WASHER
36	74780512		BOLT
37	121642X505		FENDER
38	10040400		LOCKWASHER
39	136961		BRACKET.AXLE.FRT.
40	142132		SUB= 156111
43	136939		BRACKET.SUS.FT.LH
44	136940		BRACKET.SUS.FT.RH
45	138460		SUB= 155887
46	19091216		WASHER PM
47	17490608		SCREW LT
50	152728		"BRKT CHASSIS,FRNT"
51	17580408		SCREW CRT
52	73680500		SUB= 73690500
54	73510500		NUT
56	138461		SUB= 155886
58	137113		BRKT.ASM.FENDER
60	17490620		SCREW
61	147717		BEZEL.ASM.
63	19131614		WASHER
67	140737		GUIDE BELT TRANS
68	17490508		SCREW LT
70	137159		GUIDE.BELT.MID.SP
71	144916X505		STRAP.GRILLE.PNT.
72	74180512		SCREW
74	74191008		SCREW
76	2029J		WELDNUT
79	74981020		SCREW
80	7206J		SPACER LT
82	73731000		NUT
84	142992		STOP.OVER.CENTER

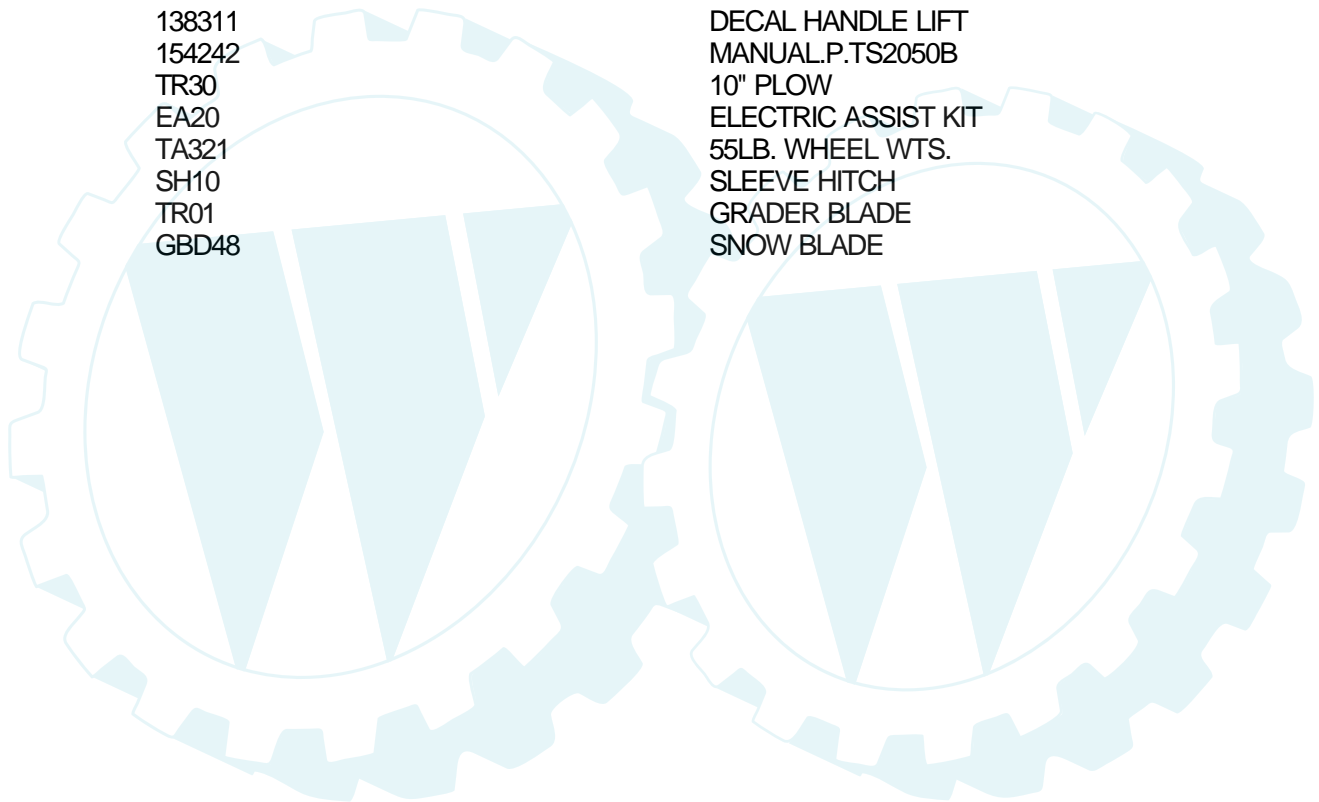
Ref #	Part Number	Qty	Description
85	144911		BRACKET.SUPT.TRAN
86	74760716		BOLT
88	10040700		LOCKWASHER
90	11050600		LOCKWASHER
91	150851		"RAIL,FRAME LH"
92	140130X012		PLATE YP SLKSCR
94	100207K		CLIP GTV
95	105531X		NUT-PUSH YT
106	138776		SUB= 157722
107	109808X		HOOD LATCH T
108	110356X		SNAP CAP LT
109	110357X		WASHER LT
112	60867		ACORN NUT RB
114	72140610		BOLT.3/8-14X1.25
115	150300		BUMPER.ASM
116	141461		BRACKET.EXT.BUMP.
117	143679		PLUG.PLASTIC
118	19131316		WASHER
119	73680600		SUB= 73690600
120	19131616		WASHER HYT
122	17030814		SUB= 91817030814
131	150195		BKT.SPT.HOOD/PANL
132	74291006 8022J		SCREW.10-24X3/8. PLUG-DASH T

## TRACTOR - - MODEL NUMBER TS2050B

### DECALS

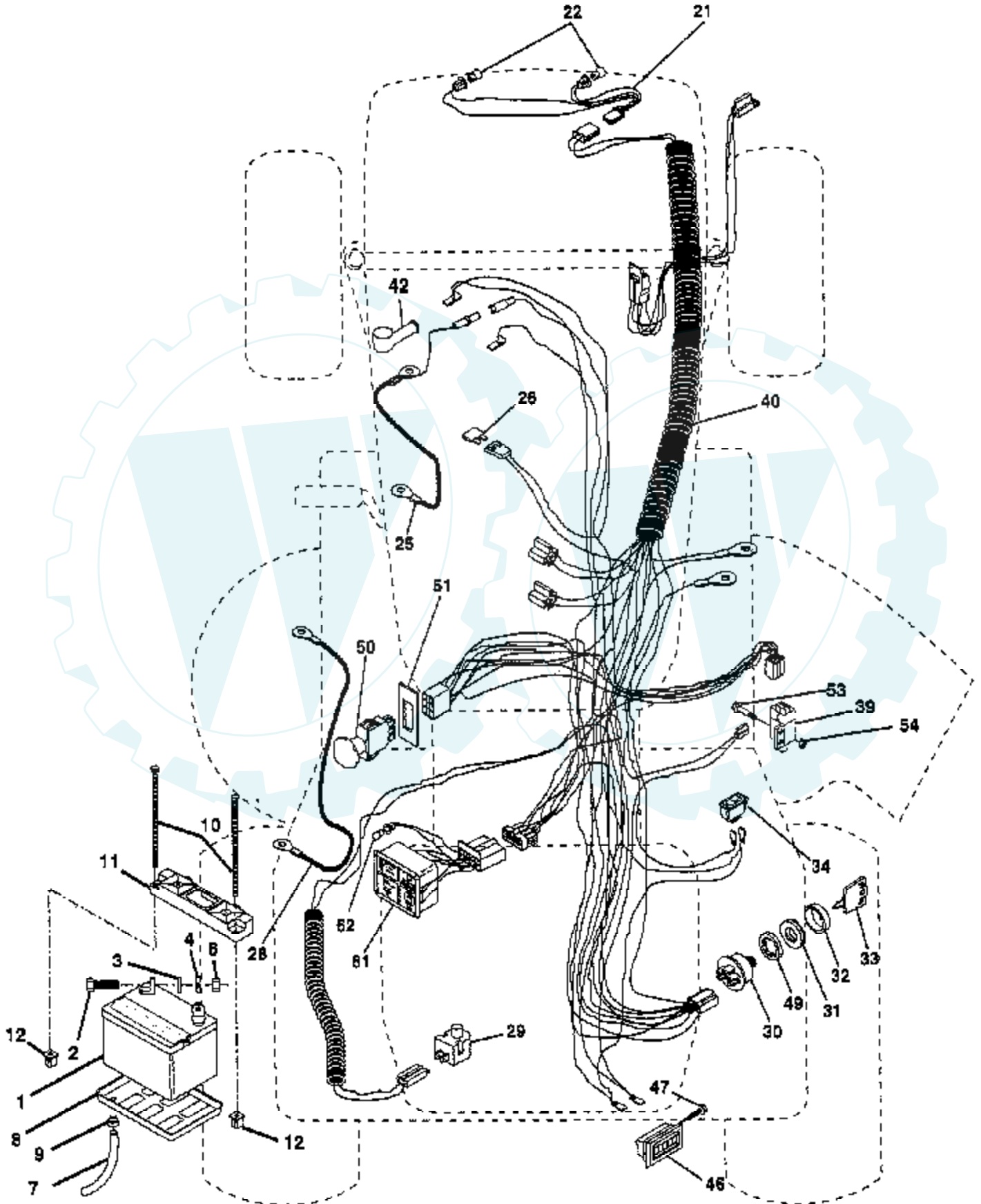


Ref #	Part Number	Qty	Description
1	138955		DECAL.DASH.INST.
2	143096		NAMEPLATE.HUSK.LG
3	143095		DECAL.HD.RH.20/50
4	143094		DECAL.HD.LH.20/50
5	146451		DECAL.BTRY.DANGER
6	151718		DECAL ENGINE
7	153015		DECAL.PNL.SD.20HP
8	106202X		REFLECTOR-TAIL YT
9	143109		DECAL.FEND.YT/GT
10	133796		DECAL
11	4900J		DECAL T
14	139346		"DECAL.V.BELT.44""
18	143098		DECAL.INS.STG.WHL
	133671		FOOTREST PAD
	138311		DECAL HANDLE LIFT
	154242		MANUAL.P.TS2050B
	TR30		10" PLOW
	EA20		ELECTRIC ASSIST KIT
	TA321		55LB. WHEEL WTS.
	SH10		SLEEVE HITCH
	TR01		GRADER BLADE
	GBD48		SNOW BLADE



# TRACTOR -- MODEL NUMBER TS2050B

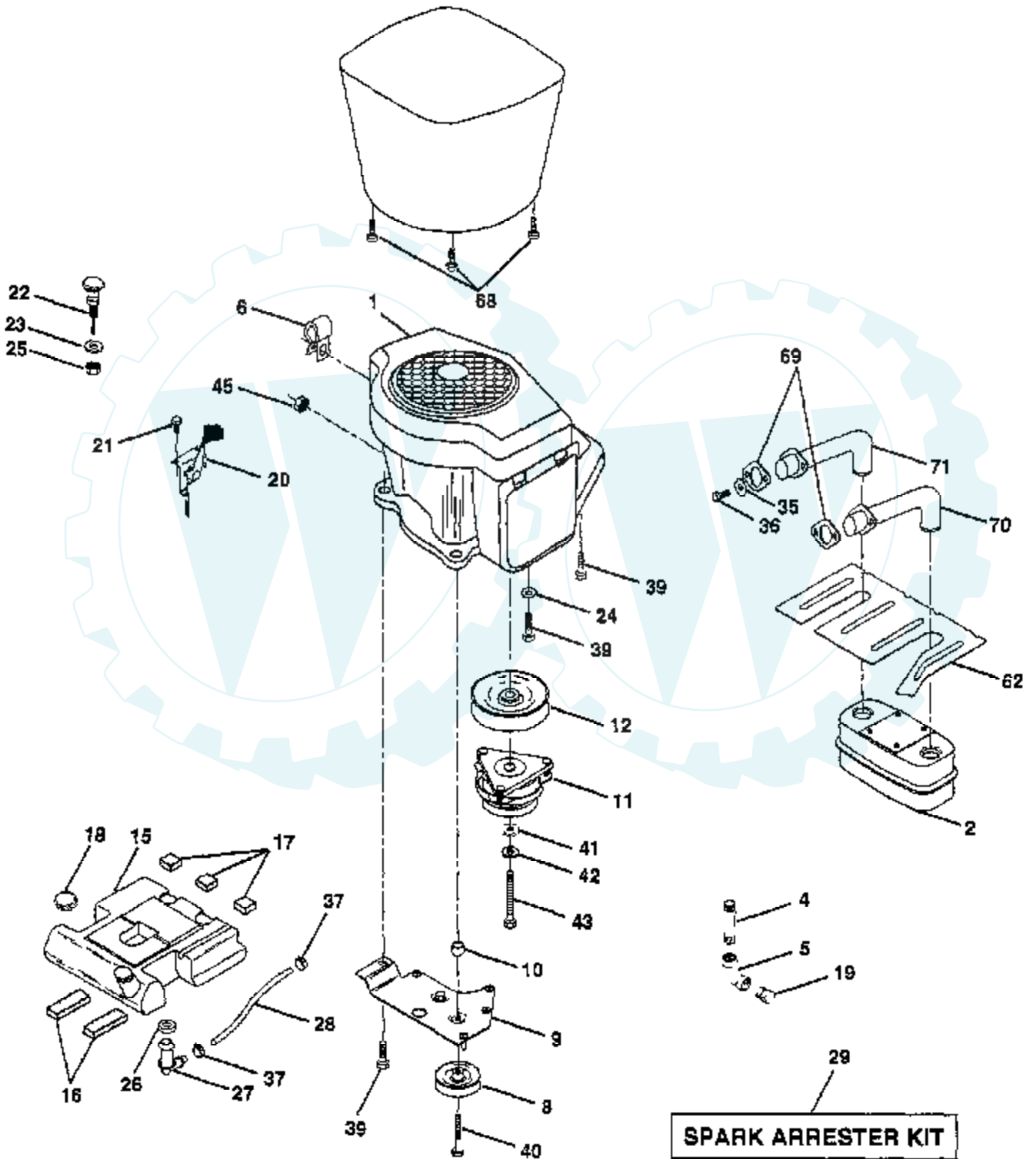
## ELECTRICAL



Ref #	Part Number	Qty	Description
1	146141		SUB= 125603X
2	74760412		BOLT LT
3	10040400		LOCKWASHER
4	19091016		WASHER
5	121264X		"CAP,BATTERY "
6	73220400		SUB= 50675
7	7697J		"DRAIN TU T, BATT"
8	7603J		"TRAY T, BATTERY"
9	109596X		HOSE CLAMP T
10	145211		SUB= 150177
11	145209		SUB= 150109
12	145769		SUB= 150177
21	136850		"HARNES, LIGHT SOC"
22	4152J		HEADLAMP BULB
25	145341		MANUAL.OP.GEN.ENG
26	108824X		FUSE HYT
28	6408R		CABLE.BATRY.4GA.
29	121305X		SWITCH SEAT
30	2683R		SWITCH T
31	124211X		NUT IGNITION
32	123620X		SUB= 141226
33	122147X		KEY
34	110712X		SWITCH LT
39	109553X		SWITCH INTERLOCKT
40	153012		"HARNES,IGNITION"
42	719J		SUB= 154336
46	110940X		HOUR METER T
47	17011008		SCREW
49	11151000		LOCKWASHER
50	140404		SUB= 154959
51	140405		RING RETAIN PTO
53	71031008		SCREW
54	73951000		"NUT,KEPS"
61	138101		LIGHT.PKG.ASM.
62	110143X		BULB LIGHT T

# TRACTOR -- MODEL NUMBER TS2050B

## ENGINE

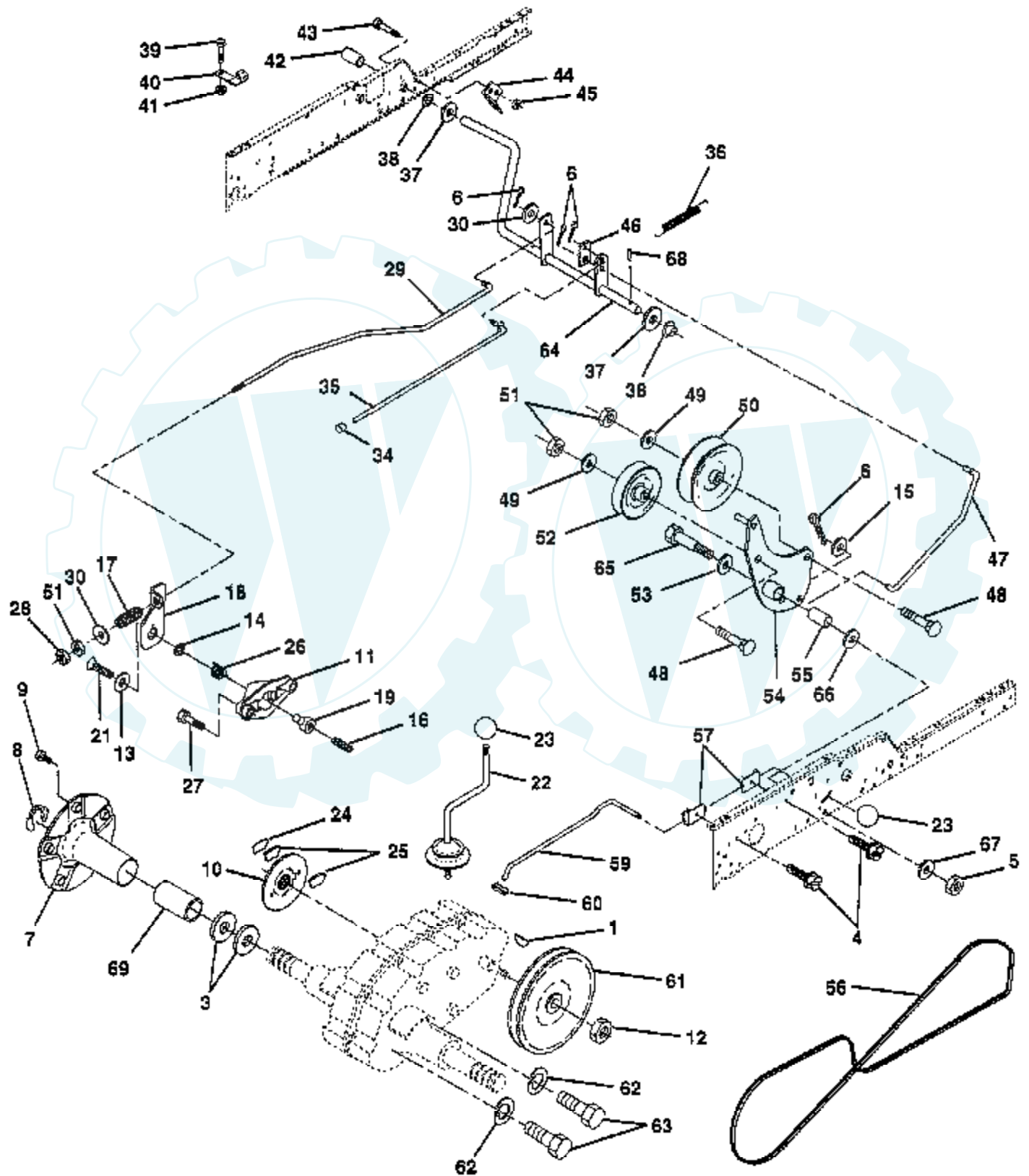




Ref #	Part Number	Qty	Description
1	P248V		ENGINE, ONAN
2	152851		MUFFLER ASM-ONAN
4	13090328		SUB= 13280328
5	13200300		ELBOW
6	138129		CLAMP.TUBE.DBL.EN
8	121361X		SUB= 139123
9	145109		SUB= 150828
10	105432X		BUSHING.
11	137140		SUB= 142600
12	136907		PULLEY.ENGINE.VGT
15	151346		TANK FUEL REAR
16	109227X		PAD IDLER TI
17	106082X		PAD-SPACER LT
18	140527		CAP ASM FUEL
19	13290300		PLUG T
20	132747		SUB= 532132748
21	17720410		SCREW LT
22	132782		SUB= 132781
23	19131316		WASHER
24	11050600		LOCKWASHER
25	73920600		"NUT,KEPS 3/8-24IM"
26	3645J		BUSHING OUTLET T
27	139277		STEM.TANK.FUEL
28	7834R		SUB= 8542R
29	132920		SPARK ARREST KIT
35	10040500		LOCKWASHER
36	74570512		SCREW
37	123487X		HOSE CLAMP
39	17490624		SCREW LT
40	17490652		SCREW.3/8-16X3.25
41	126197X		WASHER
42	10040700		LOCKWASHER
43	150280		BOLT.7/16-20X4.25
45	M73030800		NUT FLANGE M8-125
50	151574		"DUCT-AIR,ONAN,YP"
62	153994		"SHIELD-HEAT,ONAN"
64	17490612		SCREW
65	19131614		WASHER
68	152927		"SCREW-TT,10-32 FL"
69	148428		GASKET-MUFFLER )
70	152849		"PIPE-EXHAUST,LH"
71	152850		"PIPE-EXHAUST,RH"

# TRACTOR - - MODEL NUMBER TS2050B

## GROUND DRIVE



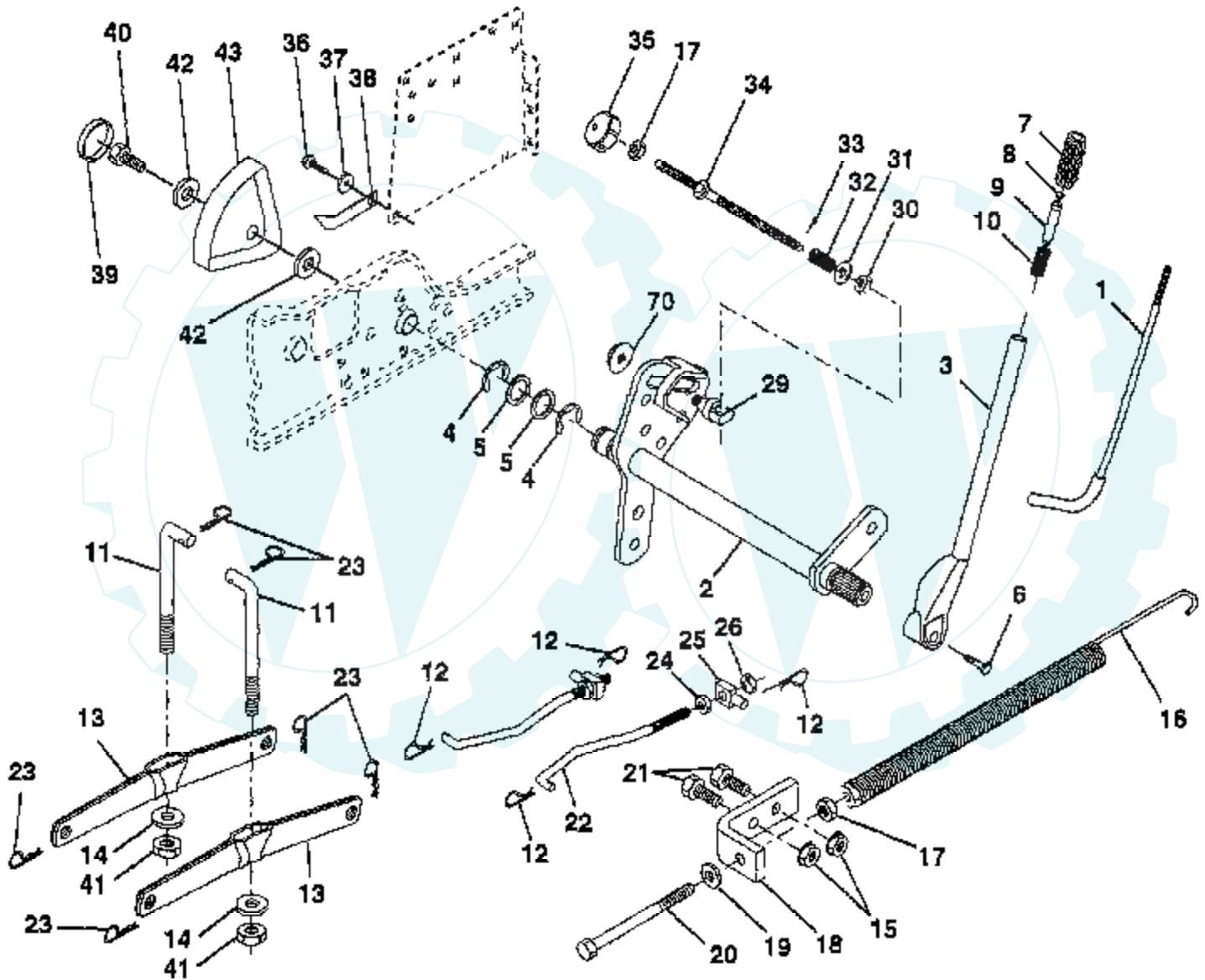
Ref #	Part Number	Qty	Description
1	9858M1		KEY
3	7563R		WASHER T
4	17490508		SCREW LT
5	73680600		SUB= 73690600
6	76020412		COTTER PIN
7	149176		SUB= 149176X431
8	12000034		KLIP RING
9	140080		BOLT.HUB.WHL.REAR
10	142509		BRAKE.DISC.
11	136927		YOKE BRAKE DISC
12	9204H		NUT STD
13	139419		WASHER SPECIAL
14	138901		BUSHING LEVER BKT
15	19131316		WASHER
16	143012		SCREW SET 1/4-20
17	126909X		"SPRING,ROD BRAKE"
18	137104		LEVER BRAKE GT
19	136926		CAM BRAKE DISC GT
21	23260412		SCREW FLT 1/4X28
22	633A109		GEAR SHFT LVR T
23	121466X		KNOB
24	136925		SUPPORT PUCK BRKE
25	136923		PUCK BRAKE TOP
26	137552		SPRING RET BRAKE
27	17490528		SCREW HX WASH
28	73350600		NUT
29	137213		ROD BRAKE ZINC GT
30	19131616		WASHER HYT
34	71673		PLUNGER CAP T
35	137648		ROD BRAKE PART GT
36	149412		SPRING.GRND.DRIVE
37	121749X		WASHER
38	150035		BUSHING.NYLINER
39	74321016		SCREW
40	5304J		ACT-SWITCH T
41	73631000		SUB= 69180
42	8883R		PEDAL COVER T
43	74760412		BOLT LT
44	104601X		BRKT SWITCH GT
45	73800400		NUT
46	145170		RETAINER.SPRING
47	138228		ROD.CLUTCH
48	72110614		BOLT
49	19131413		WASHER
50	131494		FLAT IDLER PULLEY
51	73680600		SUB= 73690600
52	139123		PULLEY.IDLER.V.GR
53	207J		WASHER T
54	138390		ARM.ASM.IDLER.CLU
55	105706X		"LY, BEARING"
56	137153		BELTV.GR.DR.83.
57	141756		BRACKET.ROD.SHIFT
59	122253X		ROD SHIFT HI LO
60	122268X		CONNECTING LINK
61	137524		SUB= 532137524
62	10040700		LOCKWASHER
63	74760720		BOLT
64	137649		SUB= 154752

Ref #	Part Number	Qty	Description
65	67609		AXLE BOLT
66	140296		WASHER.HARD.BLADE
67	19131312		WASHER
68	5142H		ROLL PIN STD
69	136327		"COVER, HUB"



# TRACTOR - - MODEL NUMBER TS2050B

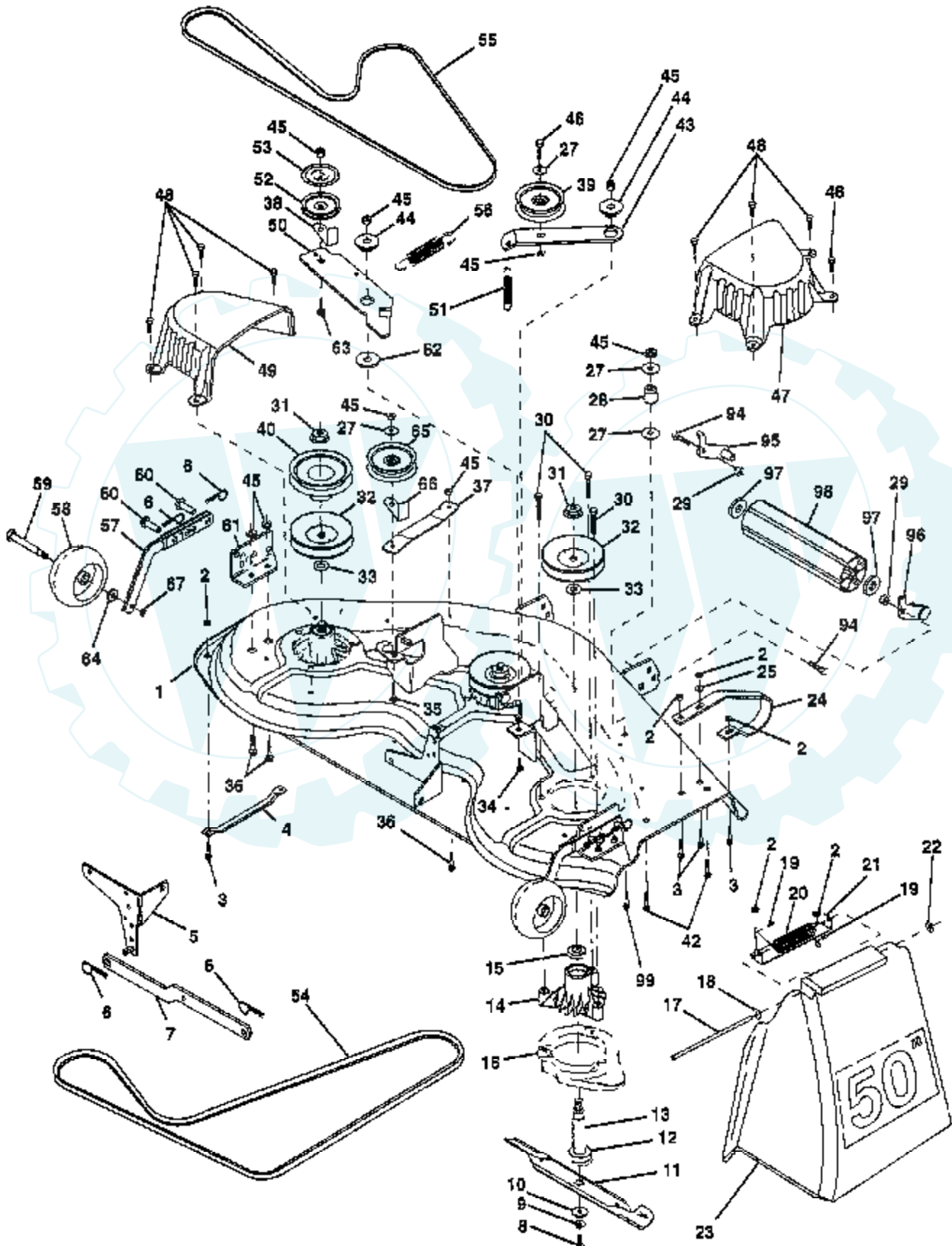
## LIFT ASSEMBLY



Ref #	Part Number	Qty	Description
1	121006X		LEVER ROD LT
2	145542		SHAFT.LIFT.VGT.95
3	121002X		SUB= 123096X
4	12000022		E-RING
5	19292016		WASHER
6	74780624		"BOLT,HEX"
7	125631X		GRIP HANDLE
8	124526X		SUB= 125925X
9	122364X		SUB= 125925X
10	2876H		SPRING T
11	146704		LINK.LIFT.MWR.VGT
12	3146R		RETAINER.SPRING
13	139868		ARM SUSP REAR
14	140302		BEARING PVT LH
15	73680600		SUB= 73690600
16	674A247		SUB= 918674A247
17	73350600		NUT
18	143363		BRACKET SPRING AS
19	19131316		WASHER
20	5328J		BOLT-ADJ SPRING T
21	74760616		BOLT
22	127218		LINK.FRONT
23	4939M		SUB= 85902
24	73350800		NUT
25	130171		TRUNION
26	73800800		NUT.LK.W/WSH.1/2.
29	150233		TRUNNION
30	110807X		NUT T
31	19131016		WASHER
32	137150		SPRING.COMP.INF.H
33	76020308		SUB= 3145
34	137167		ROD.ADJ.LIFT
35	138057		KNOB INF 3/8-16
36	17490612		SCREW
37	120529X		WASHER T
38	123933X505		POINTER HGT IND
39	123935X		"PLUG,HOLE"
40	17490512		SCREW
41	73540600		NUT.CROWNLOCK.3/8
42	19112410		WASHER
43	123934X		HEIGHT INDICATOR
70	145212		NUT.HXFLG.LOCK.

# TRACTOR -- MODEL NUMBER TS2050B

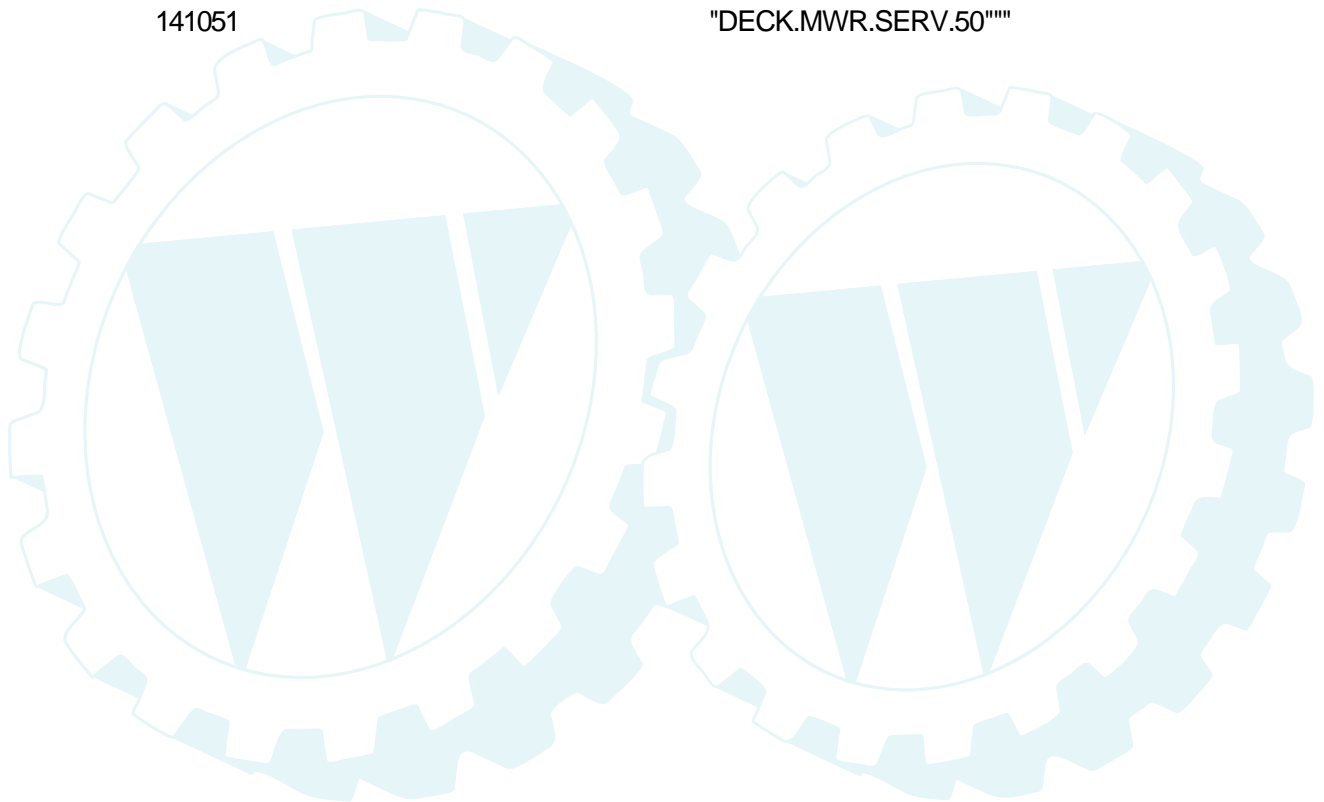
## MOWER DECK



Ref #	Part Number	Qty	Description
1	136457		DECK ASM MWR 50VT
2	73680500		SUB= 73690500
3	72110506		SUB= 72270506
4	7631J		RUNNER-LH M
5	138457		BRKT.ASM.SW.44/50
6	4939M		SUB= 85902
7	130832		SUB= 130833
8	850857		BLADE BOLT
9	10030600		SUB= 10040600
10	140296		WASHER.HARD.BLADE
11	137380		"BLADE.50"" HD"
12	129895		BEARING.BALL
13	137553		SHAFT.ASM.W/BRNG
14	137152		HOUSING.MAND.44.V
15	110485X		BEARING
16	140329		STRIPPER RND MWR
17	106735X		ROD-HINGE T
18	19111016		WASHER
19	105304X		CAP-SLEEVE LT
20	123713X		SPRING TORSION
21	137607		BRKT DEFLECTOR
22	110452X		NUT PUSH M
23	110509X		DEFLECTOR
24	136320		"RUNNER RH 50"" DK"
25	19111216		WASHER M
27	19131316		WASHER
28	132823		SUB= 532132823
29	73800600		NUT
30	138776		SUB= 157722
31	137266		SUB= 139729
32	153535		PULLEY.MANDREL.42
33	129963		WASHER
34	72140610		BOLT.3/8-14X1.25
35	72110616		BOLT
36	72110608		BOLT D
37	137166		STIFFENER.ARM.IDL
38	137554		SUB= 918137554
39	131494		FLAT IDLER PULLEY
40	136572		"PULLEY.DRIVEN.44"""
42	72140506		BOLT
43	136460		"ARM.IDLER.SEC.44"""
44	122052X		SPACER RETAINER
45	73680600		SUB= 73690600
46	74760628		BOLT
47	137200		"COVER.MAND.RH.44"""
48	137729		SCREW.1/4-20X5/8
49	136574		COVER.MANDREL.LH
50	137272		ARM.IDLER.PRIMARY
51	137273		"SPRING.SEC.44""VEN"
52	139245		PULLEY.IDLER.VGRO
53	137789		SHIELD.IDLER.44.V
54	139573		BELT V PRIM 50
55	144959		BELT-V.SEC.46.KEL
56	138687		SPRING.EXT.DECK.
57	136577		BAR.ASM.GUAGE.WHL
58	146850		WHEEL.GUAGE.MED.
59	146851		BOLT SHOULDER
60	139031		PIN.CLEVIS

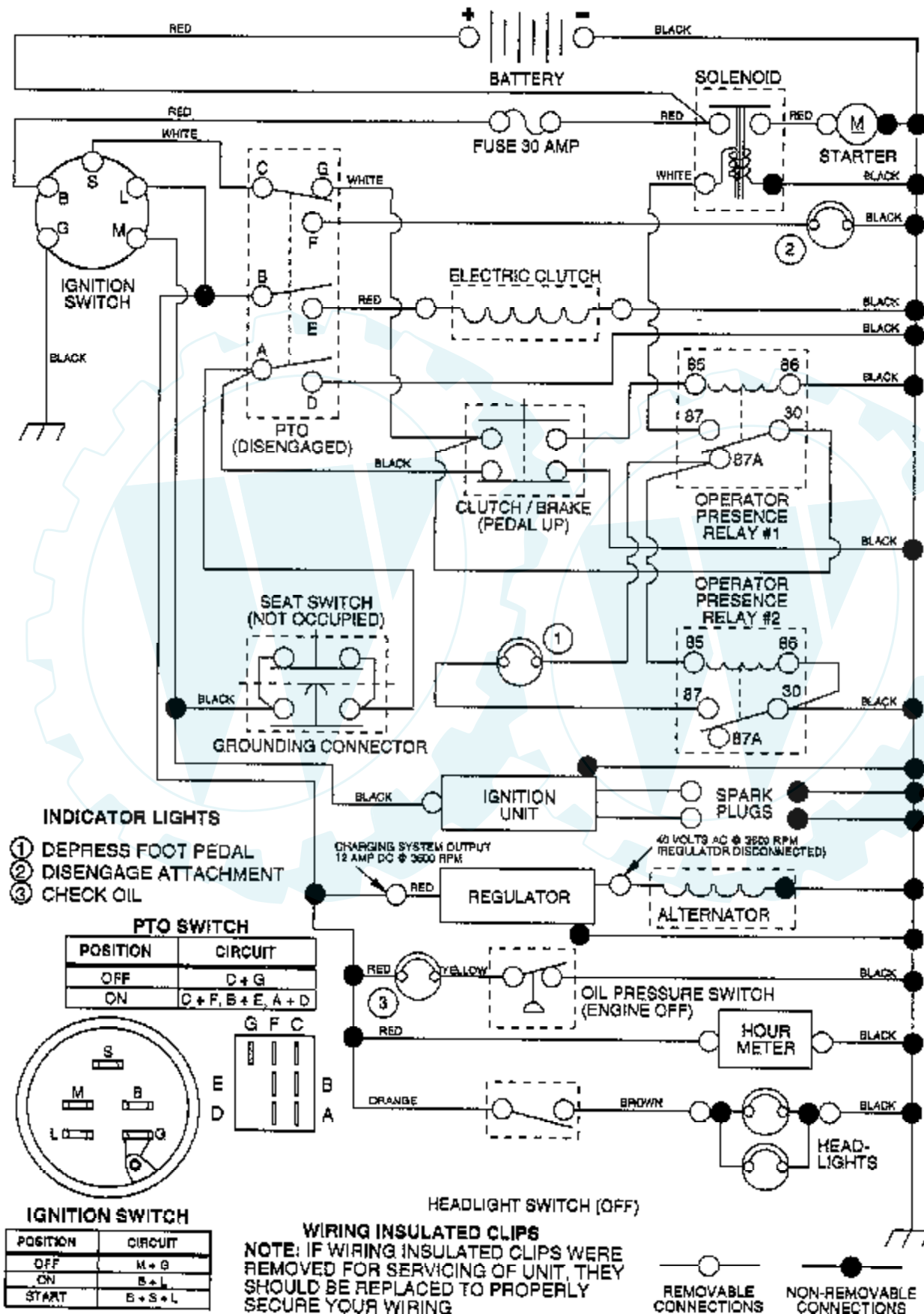


Ref #	Part Number	Qty	Description
61	136573		BRACKET.GUAGE.WHL
62	133943		HARDENED WASHER
63	72110612		BOLT.3/8-16X1.50
64	19121414		WASHER
65	151831		PULLEY IDELR FLAT
66	139622		SUB= 918139622
67	73930600		LOCKNUT
94	74760616		BOLT
95	132274		SUB= 532132274
96	132273		SUB= 532132273
97	19171416		WASHER
98	132264		SUB= 532132264
99	72110614		BOLT
	143651		MANDREL SERV ASM
	141051		"DECK.MWR.SERV.50""



### TRACTOR - - MODEL NUMBER TS2050B

### SCHEMATIC



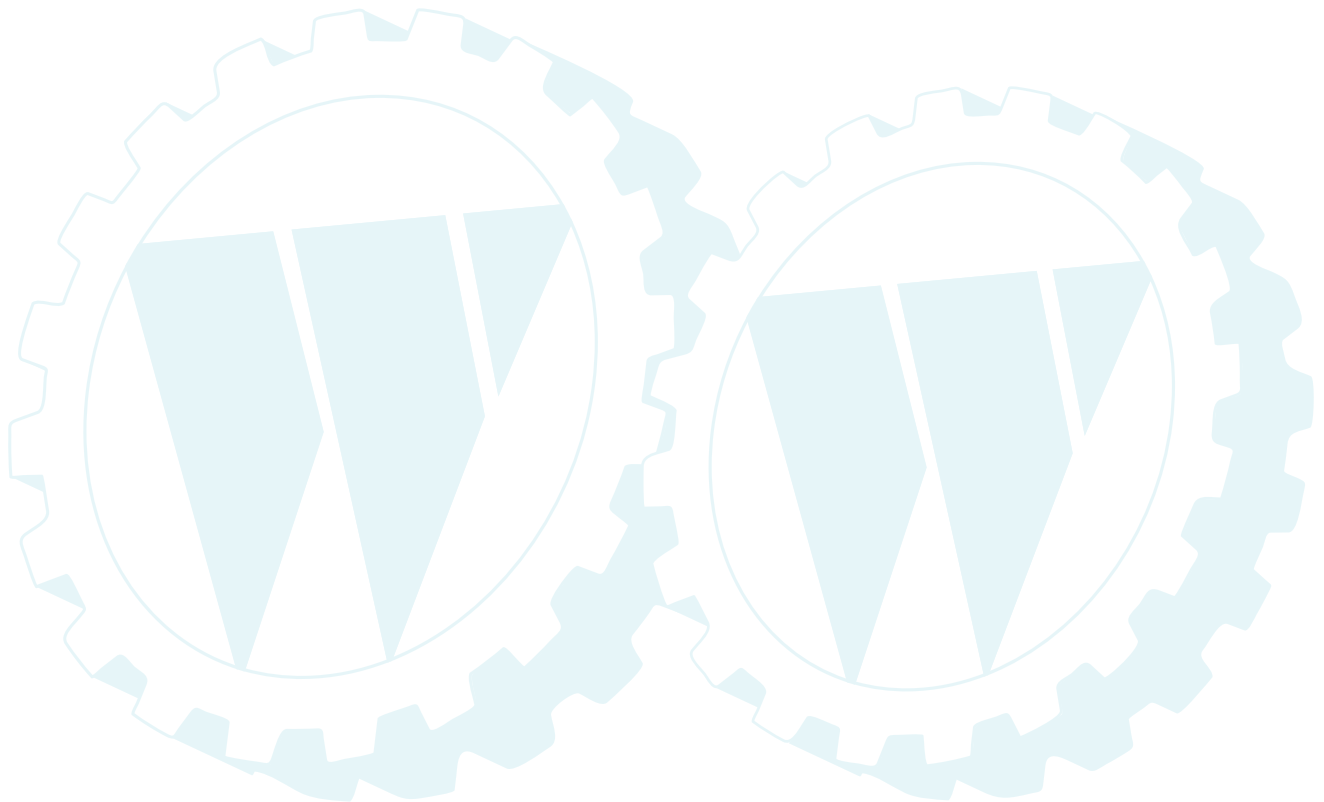
---

Ref # Part Number

Qty Description

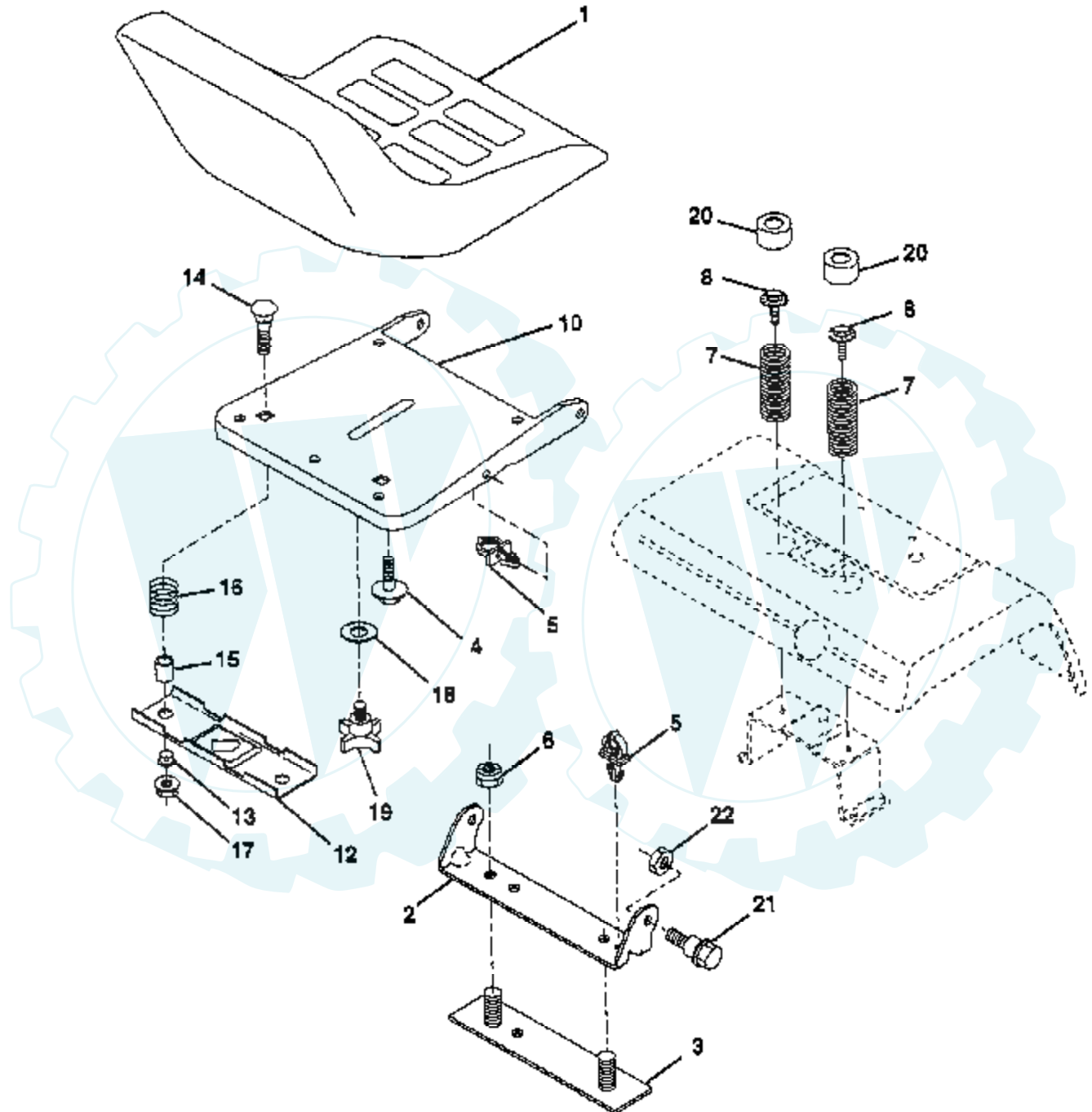
REFER TO IMAGE

---



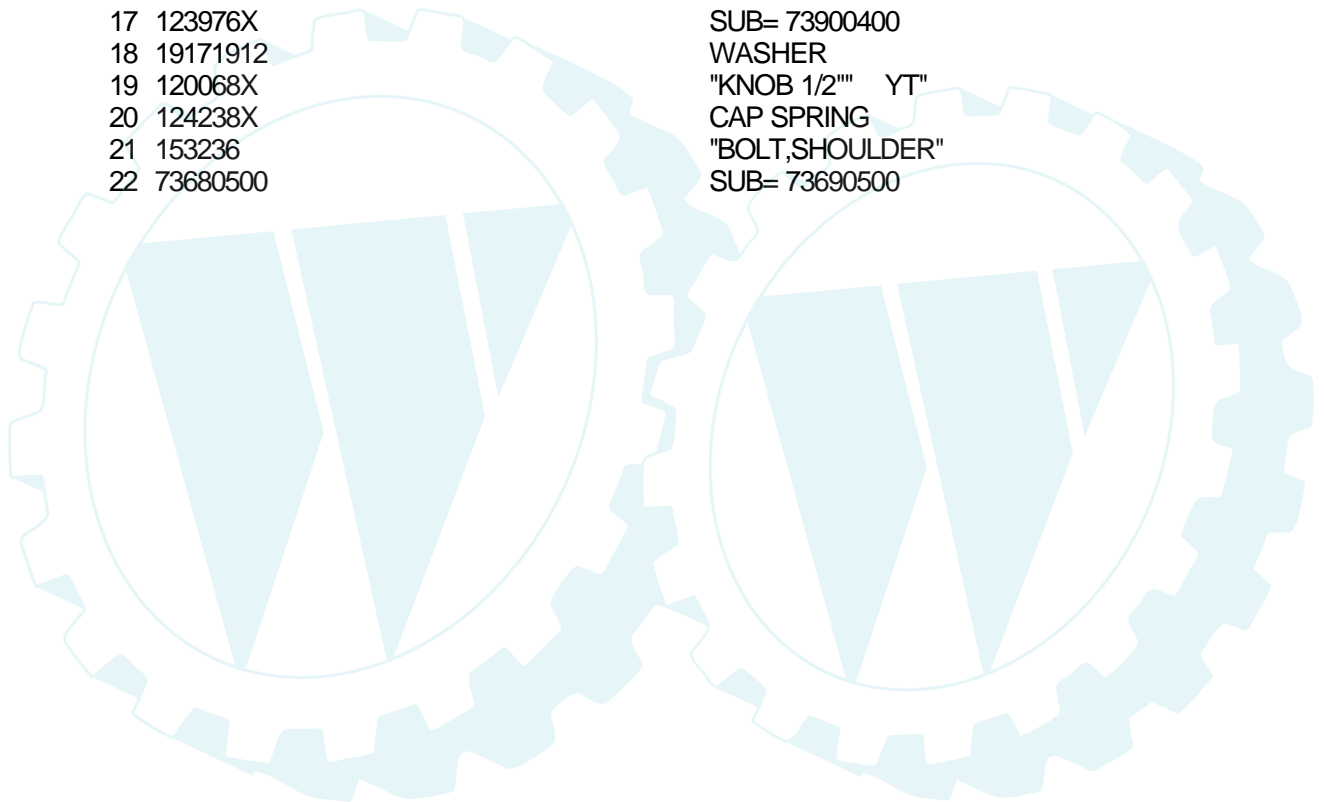
## TRACTOR - - MODEL NUMBER TS2050B

### SEAT ASSEMBLY



**NOTE:** All component dimensions given in U S inches  
1 inch = 25.4 mm

Ref #	Part Number	Qty	Description
1	127429X		SUB= 140121
2	140551		BRACKET PVT SEAT
3	140675		STRAP ASM FENDER
4	127018X		"BOLT,SHOULDER"
5	145006		CLIP.PUSH-IN.HING
6	73680600		SUB= 73690600
7	124181X		SPRING COMPRESSIO
8	150176		BOLT.5/16-18.UNC
10	140552		SUB= 155925
12	121246X		BRKT SWITCH
13	121248X		BUSHING
14	72050411		SUB= 872050411
15	121249X		SPACER SPLIT
16	123740X		SPRING COMPRESSED
17	123976X		SUB= 73900400
18	19171912		WASHER
19	120068X		"KNOB 1/2"" YT"
20	124238X		CAP SPRING
21	153236		"BOLT,SHOULDER"
22	73680500		SUB= 73690500

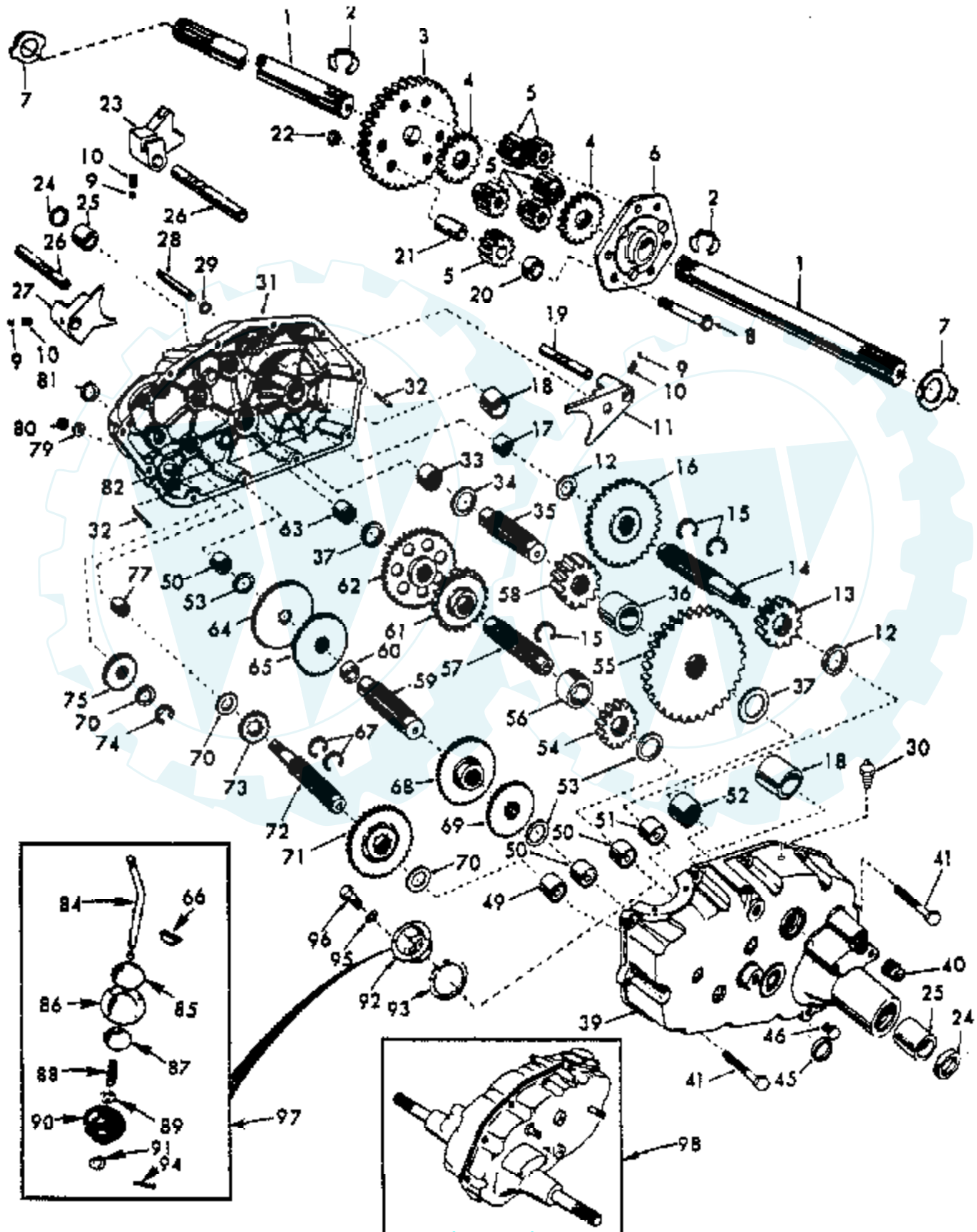




Ref #	Part Number	Qty	Description
1	121472X		SUB= 150546
2	137094		SUB= 532137094
3	6855M		ZERK M
4	136960		SPINDLE.ASM.LH
5	136959		SUB= 918136959
6	6266H		WASHER .T
7	121748X		WASHER
8	12000029		RING
9	121232X		CAP
10	74781044		BOLT
11	136518		SPACER BEARING
12	73901000		"NUT-LOC,FLANGE LT"
13	121749X		WASHER
14	10040600		LOCKWASHER
15	73610600		SUB= 7810H
16	145103		SHAFT.STEER.VGT
17	137347		ROD.ASM.TIE.BALL
18	137155		DRAGLINK.BALL.JOI
19	146611		SUB= 144673
21	100711L		ADAPTER LT
22	1554J		SUB= 155108
23	152927		"SCREW-TT,10-32 FL"
24	19133808		WASHER T
25	74780616		BOLT
26	126805X		"INSERT,STR WHEEL"
27	3366R		COL. SRTG. BEAR.
28	17490612		SCREW
29	104239X		"FLANGE GT, BEAR."
30	12000034		KLIP RING
31	138136		BUSHING.NYLINER.
32	19111610		WASHER
33	10040500		LOCKWASHER
34	74760512		BOLT
35	138059		GEAR.ASM.SECTOR.
36	137156		SUB= 137347
37	73360600		NUT
38	109850X		JOINT.RH
39	73700600		NUT
40	109851X		JOINT.LH

# TRACTOR - - MODEL NUMBER TS2050B

## TRANSAXLE

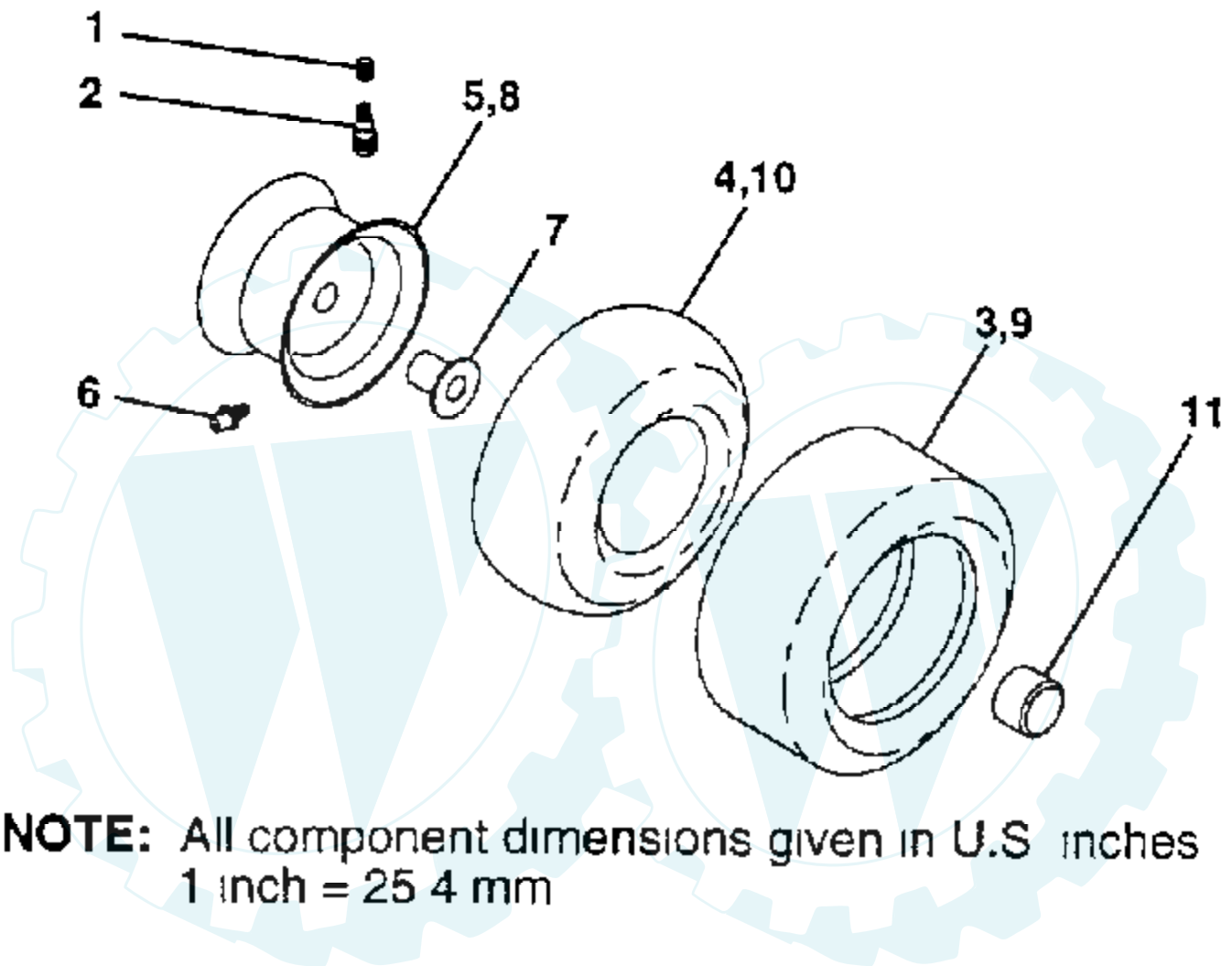




Ref #	Part Number	Qty	Description
1	4197R		SHAFT.AXLE.T
2	12000034		KLIP RING
3	4199R		FINAL GEAR T
4	4216R		DIFF GEAR T
5	4215R		DIFF PINION T
6	4217R		DIFF CARRIER T
7	6256H		WASHER T
8	74020652		BOLT
9	7392M		SUB= 100482K
10	137261		SUB= 145359
11	4985R		SHIFT FORK T
12	6266H		WASHER .T
13	4212R		RED PINION T
14	137125		SHAFT BRAKE GT
15	6276H		SNAP RING T
16	633A63		GEAR T
17	8118M		"T, BEARING"
18	8740H1		BEARING
19	122238X		SHAFT
20	4218R		SPACER T
21	6252H1		PINION RS
22	7810H		GRIPCO NUT
23	6262H		FORK T
24	7393R		OIL SEAL STD
25	992R1		BRNG. T
26	139111		SHIFT FORK SHAFT
27	4986R		SHIFT FORK T
28	122254X		SHIFT SHAFT
29	6269H		SEAL T
30	5855H		VALVE M
31	139538		GEARCASE RH W/BER
32	6277H		PIN T
33	4225R		NEEDLE BRNG T
34	7396H		RACE T
35	4198R		GEAR SHAFT T
36	4200R		SUB= 532004200
37	7395H		RACE T
39	139536		GEARCASE LH W/BER
40	13320400		PLUG PIPE
41	17580520		BOLT.5/16-18X1.25
45	6271H		SEAL T
46	13060200		SUB= 13020200
49	4895H		"TI, BEARING"
50	4222R		NEEDLE BRNG T
51	1529R		NEEDLE BRNG T
52	8119M		"STD, BEARING"
53	4220R		BRNG RACE
54	4209R		RED PINION T
55	4213R		RED GEAR T
56	4442R		PINION SPACER T
57	4195R		GEAR SHAFT T
58	4214R		FINAL PINION T
59	4194R		GEAR SHAFT T
60	7528R		SPACER T
61	4208R		RED PINION T
62	4207R		RED GEAR T
63	7398H		RACE T
64	4203R		LOW SPEED GEA T

Ref #	Part Number	Qty	Description
65	4204R		REVERSE GEAR T
66	2898J		KEY T
67	12000033		KLIP RING
68	4205R		INTERMED GEAR T
69	4206R		SUB= 532004206
70	1370H		"T, BEARING"
71	633A69		CLUSTER GEAR T
72	139120		SHAFT INPUT
73	4201R		LO SPEED PINION T
74	12000008		KLIP RING
75	1153R		IDLER GEAR T
77	6803J		NEEDLE BEARING TI
79	1167R		WASHER T
80	73360700		NUT
81	6270H		SEAL STD
82	136984		SHAFT REVERSE IDL
84	5384J		GEAR SHIFT LVR T
85	2978J		CAP T
86	633A85		COVER AND PIN T
87	8739H1		GUIDE BALL T
88	4924H		SPRING TI
89	19151516		WASHER
90	110542X		SEAL T
91	19181511		WASHER
92	75J		GEAR SHIFT GA T
93	6274H		GASKET T
94	76020412		COTTER PIN
95	10040500		LOCKWASHER
96	74760514		BOLT
97	633A109		GEAR SHFT LVR T
98	140332		SUB= 161823

## WHEELS & TIRES



**NOTE:** All component dimensions given in U.S. inches  
1 inch = 25.4 mm

Ref #	Part Number	Qty	Description
1	59192		VALVE CAP
2	65139		VALVE STEM LT
3	106230X		SUB= 122075X
4	8134H		TUBE.16X6.5/7.5-8
5	106228X417		RIM.FRONT.
6	6856M		ZERK FITTING M
7	9040H		"FLANGE, BEARING"
8	106277X417		"WHEEL,REAR"
9	105588X		SUB= 122077X
10	7154J		TUBE.23X8/10-12
11	104757X		HUB CAP
12	278H		FITTING LT

