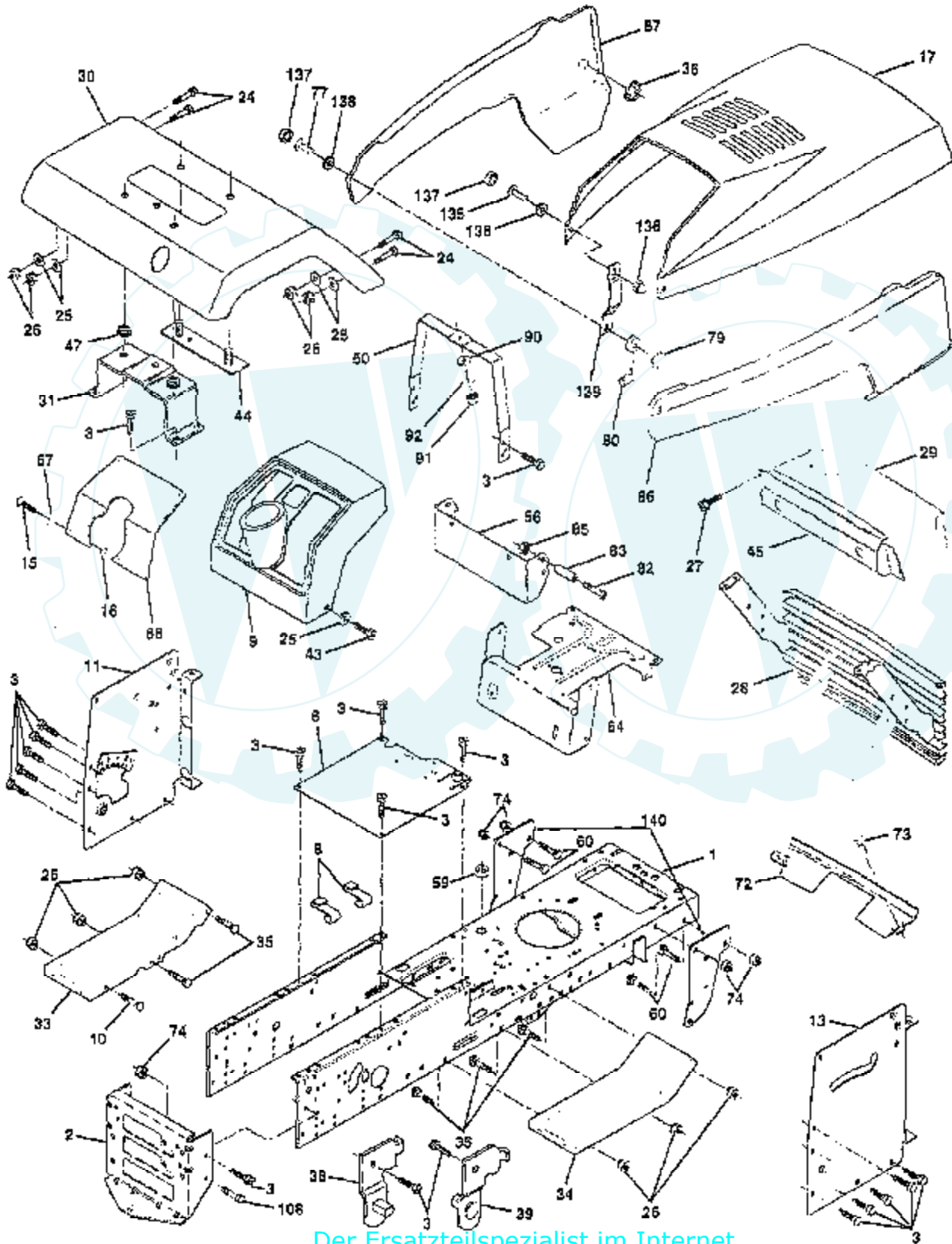


TRACTOR - - MODEL NUMBER TS15H42A

CHASSIS AND ENCLOSURES



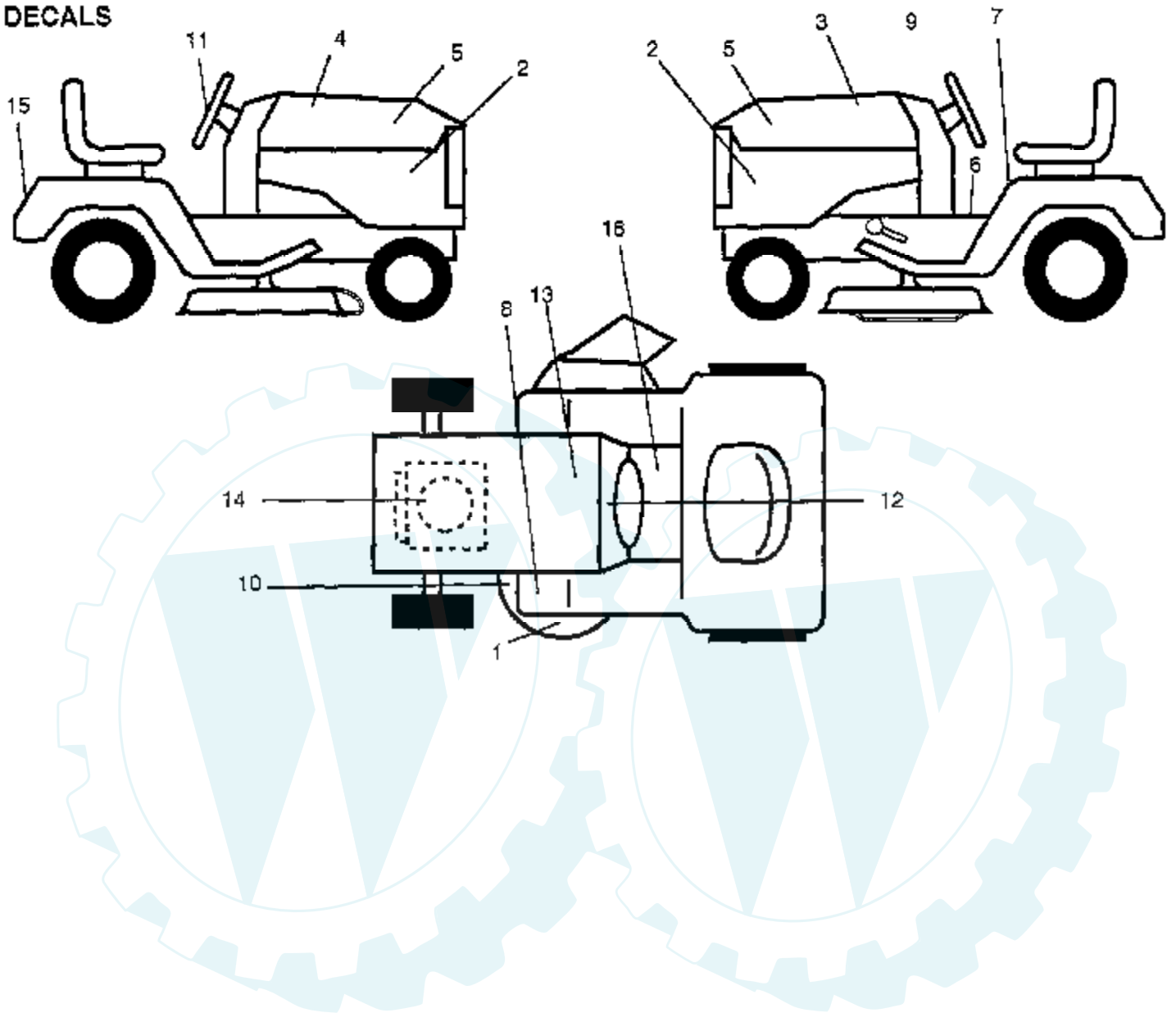
Ref #	Part Number	Qty	Description
1	151169		CHASSIS WLDMT 11G
2	140356		SUB= 145009
3	17490612		SCREW
6	145206		SUB= 145206X431
8	126471X		"CLIP,INSULATOR"
9	140398		DASHBOARD BLACK
10	72140608		SUB= 72110608
11	145218		PANEL.DASH.LH.
13	145217		PANEL.DASH.RH.
14	17490608		SCREW LT
15	74180512		SCREW
16	73510500		NUT
17	150301X505		HOOD ASM
24	74780616		BOLT
25	19131312		WASHER
26	73800600		NUT
27	17030814		SUB= 91817030814
28	150196		GRILLE ASM PNT
29	146459		LENS.BAR.CLEAR
30	140002X505		FENDER.PNT.
31	137113		BRKT.ASM.FENDER
33	145244X505		FOOTREST.LH.LT/GT
34	145243X505		FOOTREST.RH.LT/GT
35	72110606		BOLT
36	108067X		PAL NUT LT
38	139886		BRACKET ASM LH
39	139887		BRACKET ASM RH
43	17490612		SCREW
44	140675		STRAP ASM FENDER
45	147717		BEZEL.ASM.
47	105531X		NUT-PUSH YT
50	145205		DASH.SUPT.YP/HUSQ
56	150271		EXT DASH LTYT
59	110436X		SUB= 9151R
60	72140606		BOLT
64	150272		DASH.LOWER.LT
66	140133X011		PLATE.DASH.SILKSC
67	19111116		WASHER
72	144916X505		STRAP.GRILLE.PNT.
73	17580408		SCREW CRT
74	73680600		SUB= 73690600
77	74191008		SCREW
79	2029J		WELDNUT
80	109808X		HOOD LATCH T
82	74981020		SCREW
83	7206J		SPACER LT
85	73731000		NUT
86	150432X505		PANEL SIDE RH
87	150431X505		"PANEL SIDE,LH"
90	19091216		WASHER PM
91	73220400		SUB= 50675
92	10040400		LOCKWASHER
135	74291006		SCREW.10-24X3/8.
136	60867		ACORN NUT RB
137	110356X		SNAP CAP LT
138	110357X		WASHER LT
139	150195		BKT.SPT.HOOD/PANL
140	150556		SUB= 158739

Ref #	Part Number	Qty	Description
	8022J		PLUG-DASH T
	5479J		PLUG BUTTON T
	121794X		COVER ACCESS



TRACTOR -- MODEL NUMBER TS15H42A

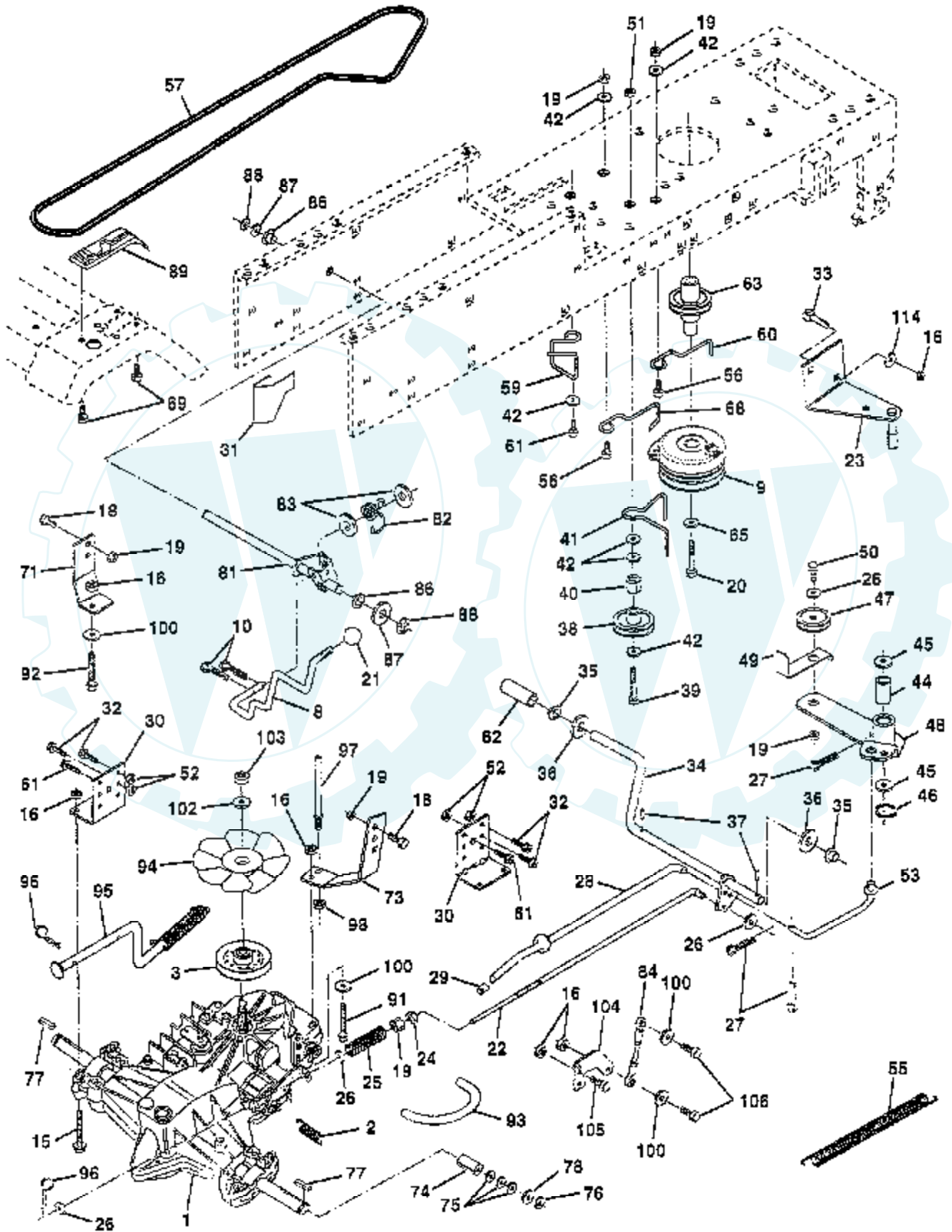
DECALS



Ref #	Part Number	Qty	Description
1	135013		NLA
2	153017		DECAL.ONAN.PNL.15
3	153019		DECAL HOOD LH
4	153018		"DECAL HOOD,RH"
5	143096		NAMEPLATE.HUSK.LG
6	140837		DECAL BRAK PARK
7	133796		DECAL
8	4900J		DECAL T
10	136832		DECAL
11	143098		DECAL.INS.STG.WHL
12	138955		DECAL.DASH.INST.
13	146451		DECAL.BTRY.DANGER
14	151716		DECAL.ONAN.15HP.
15	143109		DECAL.FEND.YT/GT
16	142336		DECAL SADLE HYDRO
	142341		DECAL DRAWBAR LH
	133671		FOOTREST PAD
	138311		DECAL HANDLE LIFT
	153551		MANUAL.P.TS15H42A
	145278		MANUAL.OP.GENERIC
	LC05		WHEEL WTS.
	LBD48		SNOW BLADE
	LSB42		SNOW THROWER
	C42		GRASS CATCHER
	CH208		TIRE CHAINS
	MK42		MULCH KIT W/BLADES

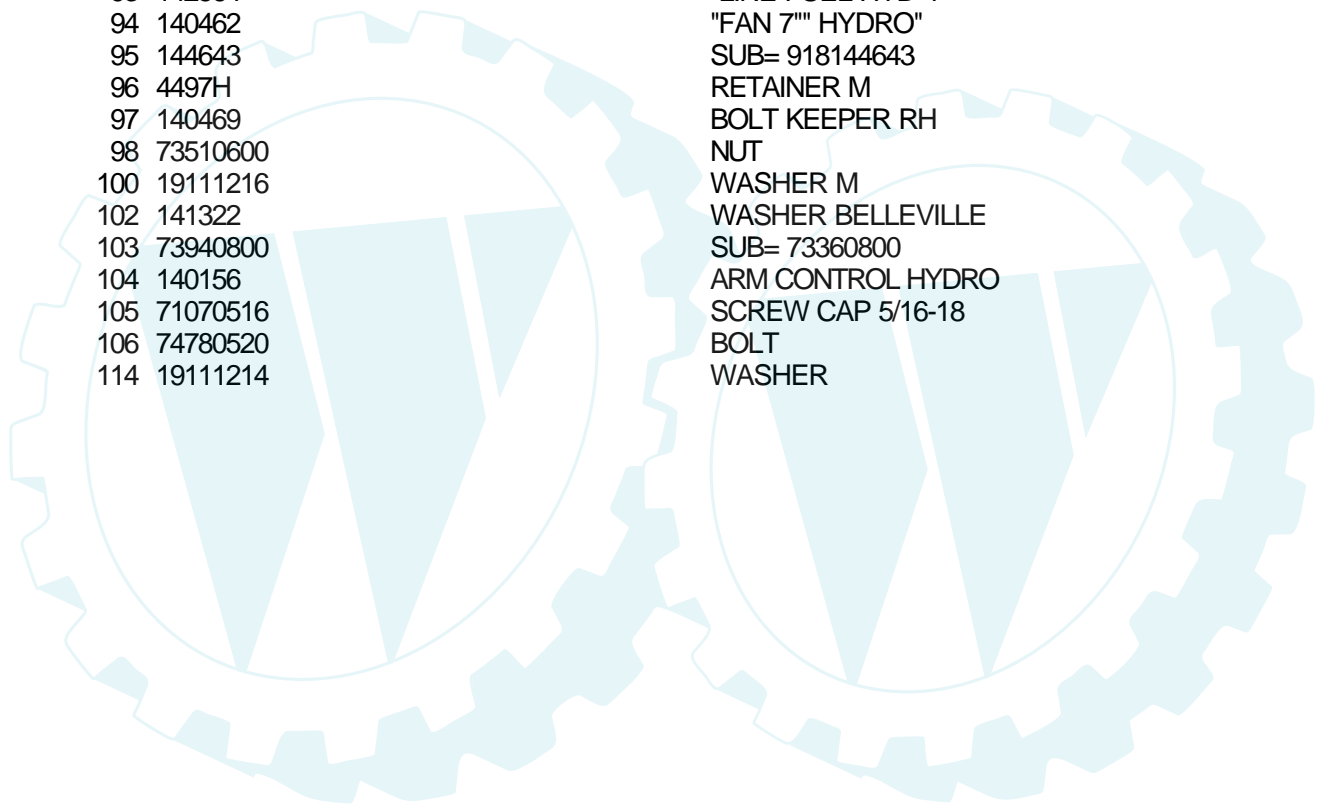
TRACTOR - - MODEL NUMBER TS15H42A

DRIVE



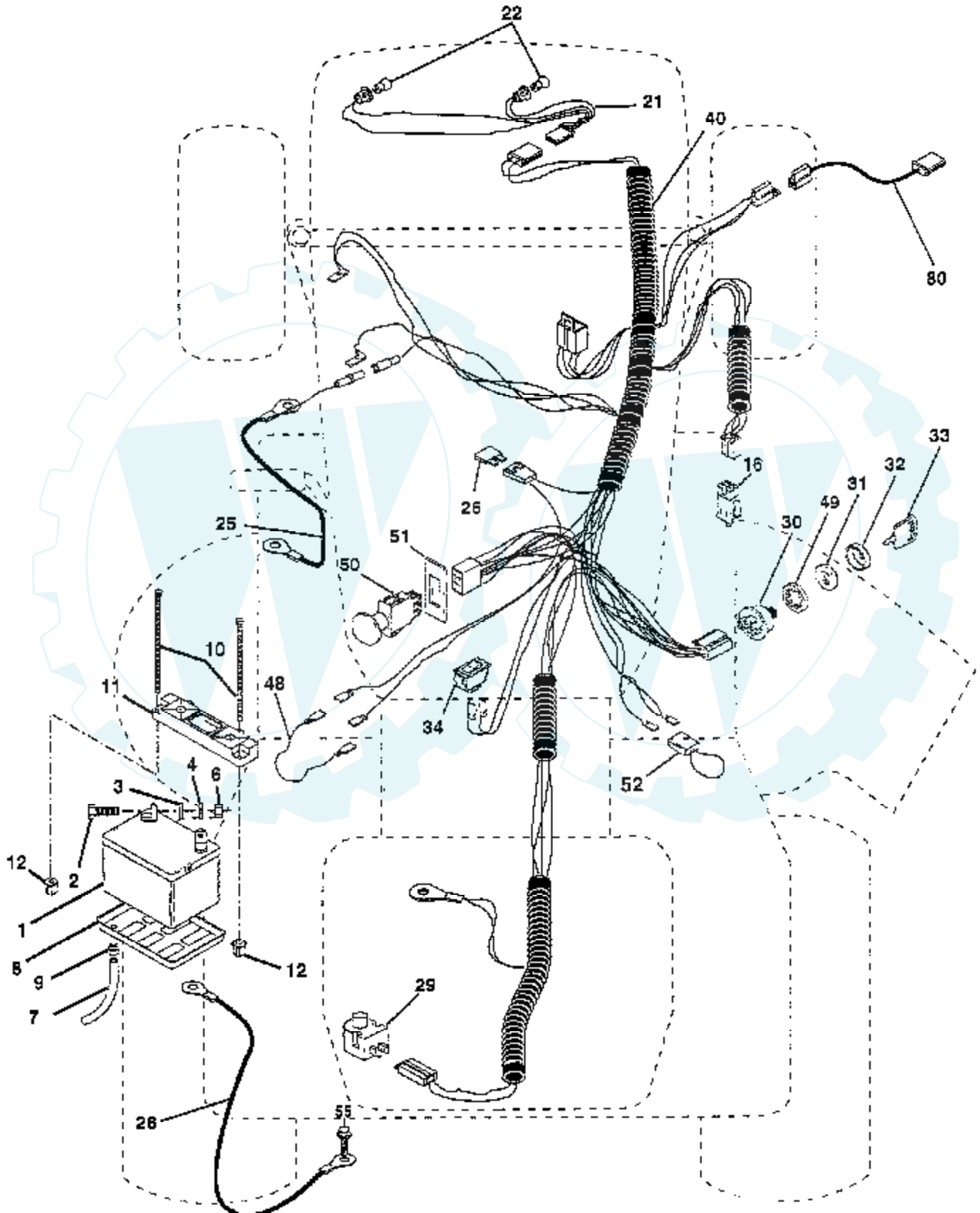
Ref #	Part Number	Qty	Description
1	150071		TRANSAXLE.3100650
2	142431		SPRING RET BRAKE
3	143995		PULLEY.TRANSAXLE
8	141002		ROD SHIFT FEND YT
9	145028		CLUTCH.ELECT.EVX.
10	76020416		PIN COTTER 1/8
15	74490544		BOLT.HX.FLG.5/16
16	73800500		NUT
18	74780616		BOLT
19	73800600		NUT
20	150280		BOLT.7/16-20X4.25
21	106933X		KNOB T (1/2-HOLE)
22	145240		ROD.BRAKE.HYDRO.
23	152485		BRACKET.CLU.MTG
24	73350600		NUT
25	106888X		SPRING ROD LT
26	19131316		WASHER
27	76020412		COTTER PIN
28	145204		ROD.BRAKE.PARK.LT
29	71673		PLUNGER CAP T
30	130807		TRANSAXLE MTG BKT
31	127275X		"KEEPER,BELT LH T"
32	74760512		BOLT
33	72140506		BOLT
34	151128		SHAFT FOOT PEDAL
35	120183X		NYLON BEARING
36	19211616		WASHER LT
37	1572H		SUB= 2882J
38	123674X		PULLEY.IDLER.FLAT
39	74760644		BOLT
40	4470J		SPACER T
41	153399		KEEPER BELT
42	19131312		WASHER
44	105706X		"LY, BEARING"
45	110812X		WASHER LT
46	12000039		KLIP RING
47	127783		SUB= 139245
48	123789X		ARM IDLER
49	123205X		RETAIN BELT
50	74760624		SUB= 74930624
51	73680600		SUB= 73690600
52	73680500		SUB= 73690500
53	105710X		"LINK, CLUTCH T"
55	105709X		"SPRING, RETURN LT"
56	74760620		SUB= 74780620
57	140294		"BELT.GD DRV 82""
59	140312		KEEPER BELT CNTSP
60	121218X		KEEPER BELT ENGLH
61	17490612		SCREW
62	8883R		PEDAL COVER T
63	145868		PULLEY.CLUTCH.EVX
65	10040700		LOCKWASHER
68	105730X		"KEEPER,BLT ENG LT"
69	142432		SCREW HEXWSH H-L
71	140158		STRAP TORQ LH HYD
73	140157		STRAP TORQ RH HYD
74	121199X		SPACER SPLIT
75	121749X		WASHER

Ref #	Part Number	Qty	Description
76	12000001		E-RING LT
77	123583X		SQUARE KEY
78	121748X		WASHER
81	140154		SUB= 156046
82	123782X		"SPRING,TORSION"
83	19171216		WASHER
84	140548		ROD.TIE.BALL.4.75
86	71208		BUSHING
87	19212016		WASHER D
88	12000008		KLIP RING
89	151146		SUB= 164892
91	74780536		NLA
92	74780524		HEX BOLT
93	142564		"LINE FUEL HYD 4""
94	140462		"FAN 7"" HYDRO"
95	144643		SUB= 918144643
96	4497H		RETAINER M
97	140469		BOLT KEEPER RH
98	73510600		NUT
100	19111216		WASHER M
102	141322		WASHER BELLEVILLE
103	73940800		SUB= 73360800
104	140156		ARM CONTROL HYDRO
105	71070516		SCREW CAP 5/16-18
106	74780520		BOLT
114	19111214		WASHER



TRACTOR - - MODEL NUMBER TS15H42A

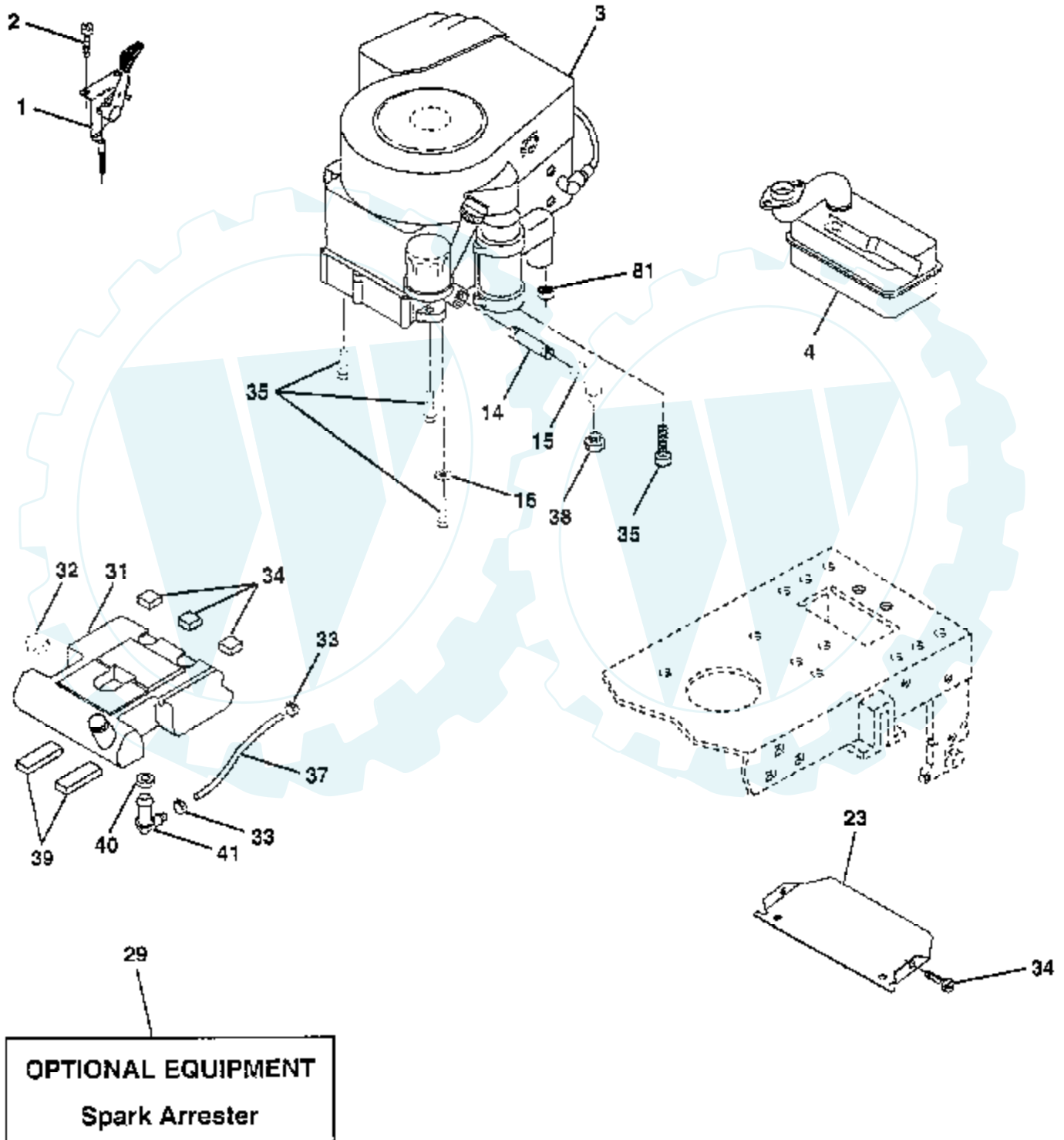
ELECTRICAL



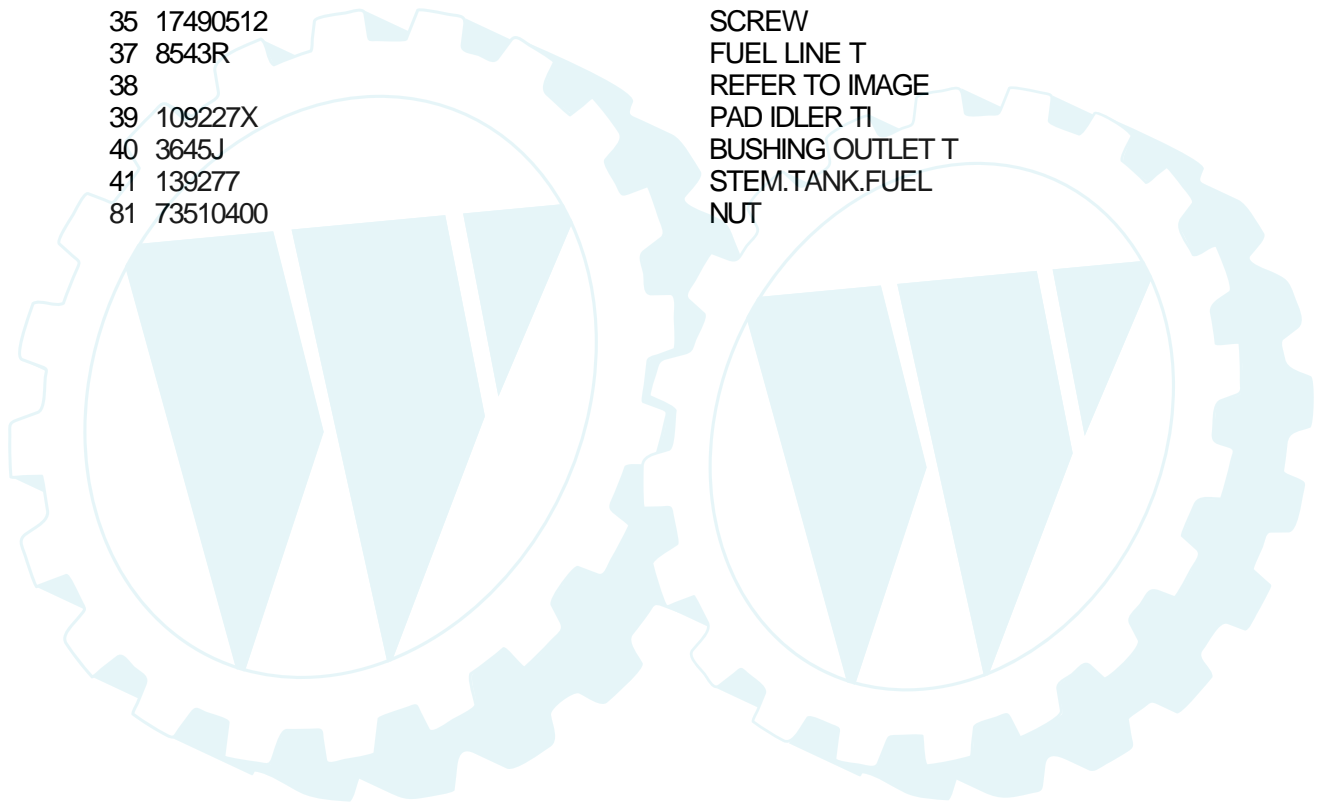
Ref #	Part Number	Qty	Description
1	146140		SUB= 123899X
2	74760412		BOLT LT
3	19091016		WASHER
4	10040400		LOCKWASHER
6	73220400		SUB= 50675
7	7697J		"DRAIN TU T, BATT"
8	7603J		"TRAY T, BATTERY"
9	109596X		HOSE CLAMP T
10	145211		SUB= 150177
11	145209		SUB= 150109
12	145769		SUB= 150177
16	153664		SWITCH INTERLOCK
21	147430		HARNESS.ASM.HDLIG
22	4152J		HEADLAMP BULB
25	148984		"CABLE.6GA.RED.40''''"
26	108824X		FUSE HYT
28	145491		CABLE.GRND.6GA.21
29	121305X		SWITCH SEAT
30	144921		SUB= 163088
31	140400		SUB= 145774
32	141226		COVER KEY SWITCH
33	122147X		KEY
34	110712X		SWITCH LT
40	154001		HARNESS IGNITION
44	73510400		NUT
48	140844		ADAPTER AMMETER
49	153249		WASHER PINNED
50	140404		SUB= 154959
51	140405		RING RETAIN PTO
52	141940		PROTECTION LOOP
55	17490508		SCREW LT
80	146685		HARNESS.CLUT.EVX.

TRACTOR - - MODEL NUMBER TS15H42A

ENGINE

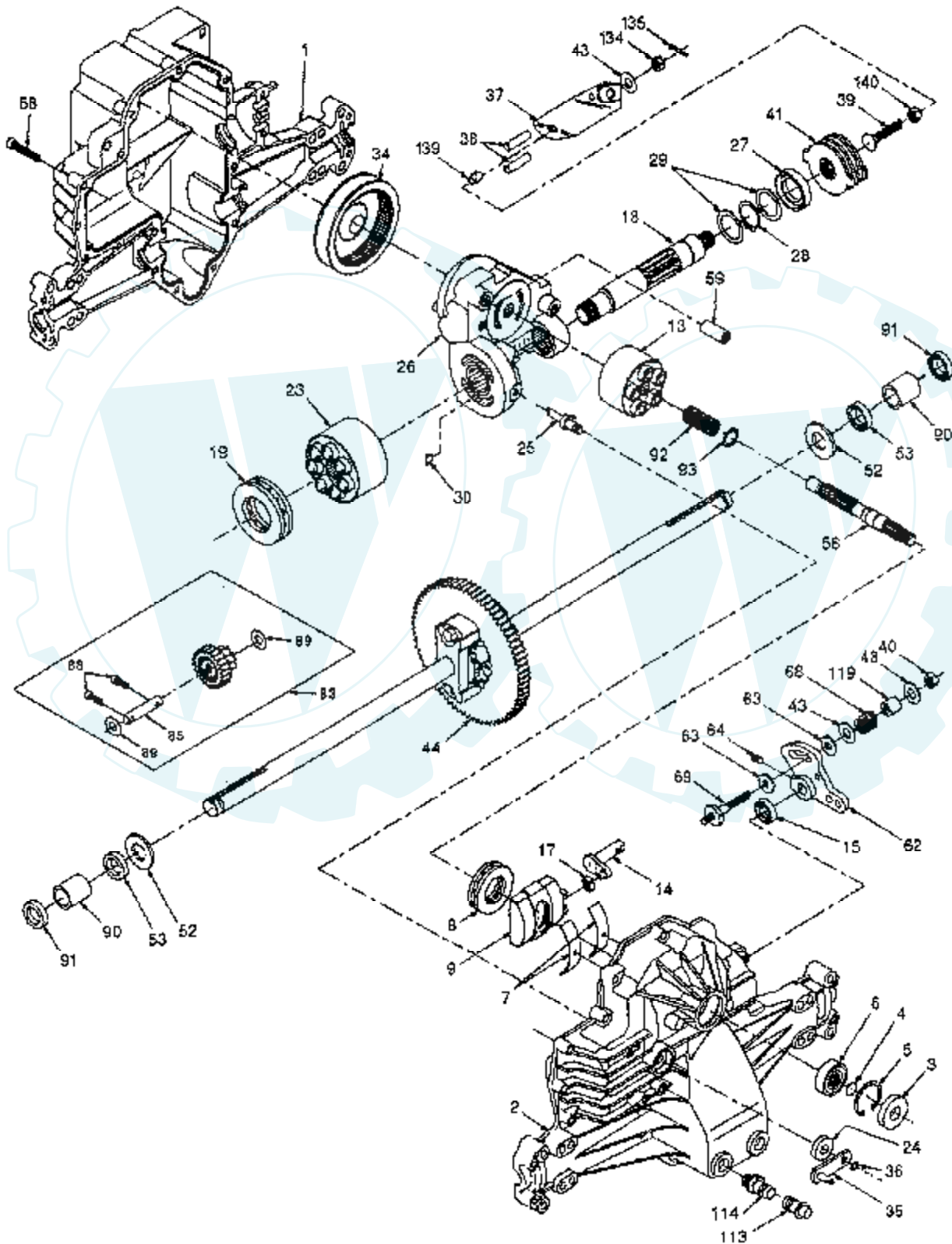


Ref #	Part Number	Qty	Description
1	132752		"CONTROL, THROTTLE"
2	17720410		SCREW LT
3			REFER TO IMAGE
4	147047		MUFFLER EXHAUST
13	125593X		SUB= 272293
14	13280324		PIPE NIPPLE
15	13200300		ELBOW
16	11050600		LOCKWASHER
23	150554		SUB= 157405
29	137180		SUB= 532137180
31	151346		TANK FUEL REAR
32	140527		CAP ASM FUEL
33	123487X		HOSE CLAMP
34	106082X		PAD-SPACER LT
35	17490512		SCREW
37	8543R		FUEL LINE T
38			REFER TO IMAGE
39	109227X		PAD IDLER TI
40	3645J		BUSHING OUTLET T
41	139277		STEM.TANK.FUEL
81	73510400		NUT



TRACTOR - - MODEL NUMBER TS15H42A .

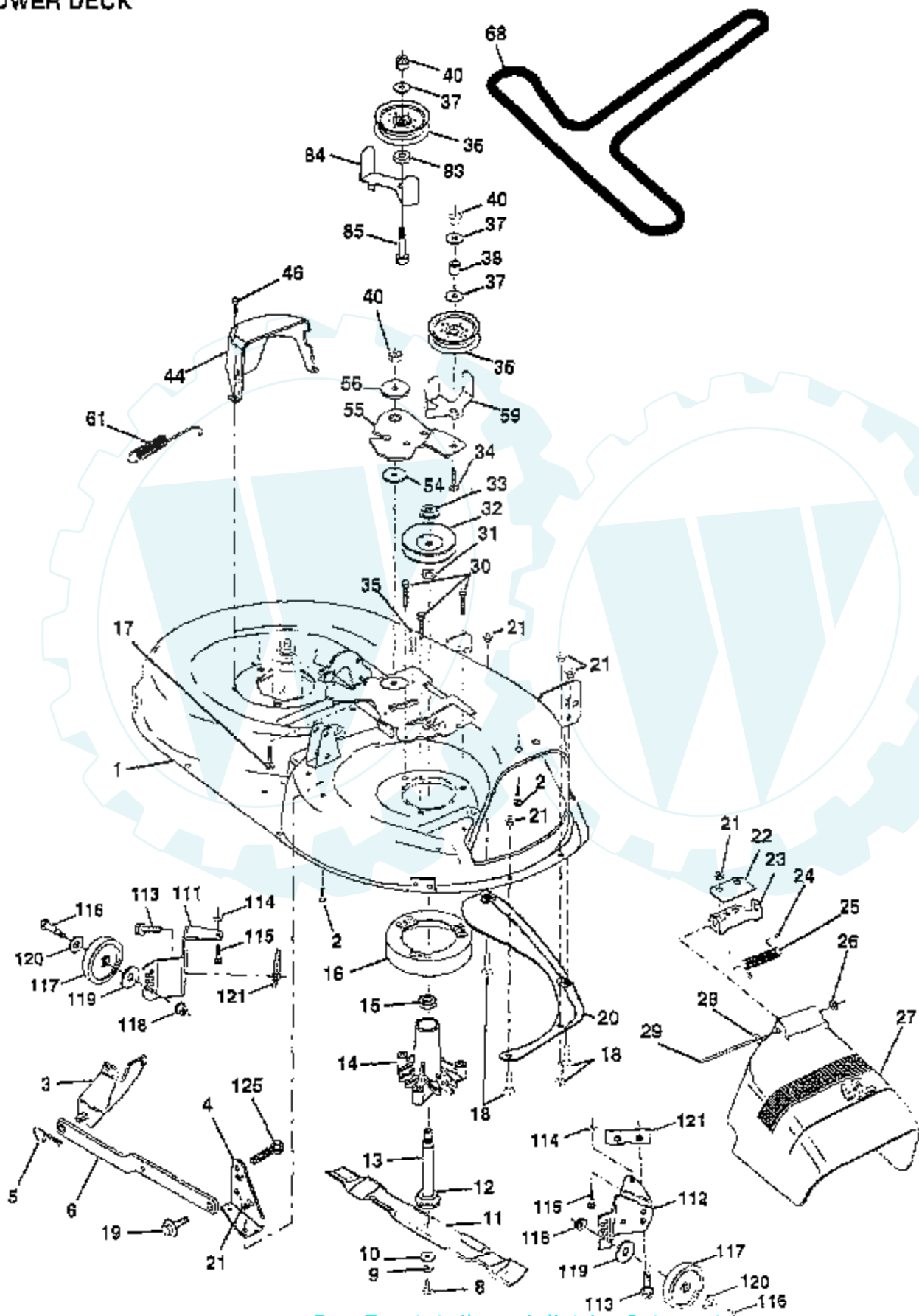
HYDRO-GEAR TRANSAXLE - MODEL NUMBER 310-0650



Ref #	Part Number	Qty	Description
1	142930		HOUSING.L.50074RM
2	142931		HOUSING.UP.70125
3	142932		SEAL.9008000-0128
4	142928		RING.RET.2003016.
5	142933		RING.RET.2003052.
6	142934		BEARING.(50552)42X68X16
7	142935		CRADLE- 2003023.
8	150771		BEARING.THU.50551
9	142937		SWASHPLT.2003087.
13	142938		BLOCK.CLYN.70079.
14	142939		ARM.TRUN.2003005.
15	142940		SEAL.9008000-0126
17	142941		GUIDE.2000015.
18	150772		SHAFT.MOTOR.50449
19	150773		BEARING.THU.50552
23	142944		BLOCK.CYLIN.70082
24	142945		SEAL.LIP.45074
25	142946		ACTUATOR.2003555
26	150774		KIT.CEN.SEC.70250
27	142948		SEAL.LIP.45075
28	142949		RING RETAIN 50007
29	142950		WASHER.44872
34	142951		ELEMENT.OIL.44964
35	142952		ARM.BYPASS.50270
36	142953		RING.RETAIN.44870
37	142954		ARM.ACTUAT.23710
38	142955		PIN.ACTUAT.44891
39	150777		BOLT.50316
40	150778		NUT.LOCK.HX.50317
41	142958		KIT.BRAKE.70135
43	142884		WASHER HYD 44130
44	150829		DIFFRENTIAL.70226
52	142991		WASHER.HYD.44875
53	142961		SEAL.HYDRO.45076
56	142963		SHAFT.INPUT.50005
58	142964		BOLT.1/4-20.44876
59	142965		PIN.HYDRO.50002
62	142966		ARM.CONTROL.50254
63	142967		PUCK.DAMPER.50281
64	142920		SCREW.SET.50018.
68	142969		SPRING.HYD.50277
69	144610		STUD.5/16-24.DANA
83	142971		JACKSHAFT/PINION GEAR.70132
85	150806		PIN.SHAFT 50559
88	142973		SCREW.CAP.50154.
89	142974		WASHER.HYD.50132
90	142975		BEARING.SLV.50118
91	142976		SEAL.WIPER.50941
92	142977		SPRING.2003014.
93	142978		WASHER.2003017
113	142917		CAP.VENT.70109
114	142918		O-RING.ASM.70110
119	142980		SPACER.HYD.50278
134	144607		NUT.CAS.HYD.44142
135	144608		PIN.COT.HYD.44101
139	150775		SPRING.COMP.50431
140	150776		NUT HEX.50269

TRACTOR - - MODEL NUMBER TS15H42A

MOWER DECK



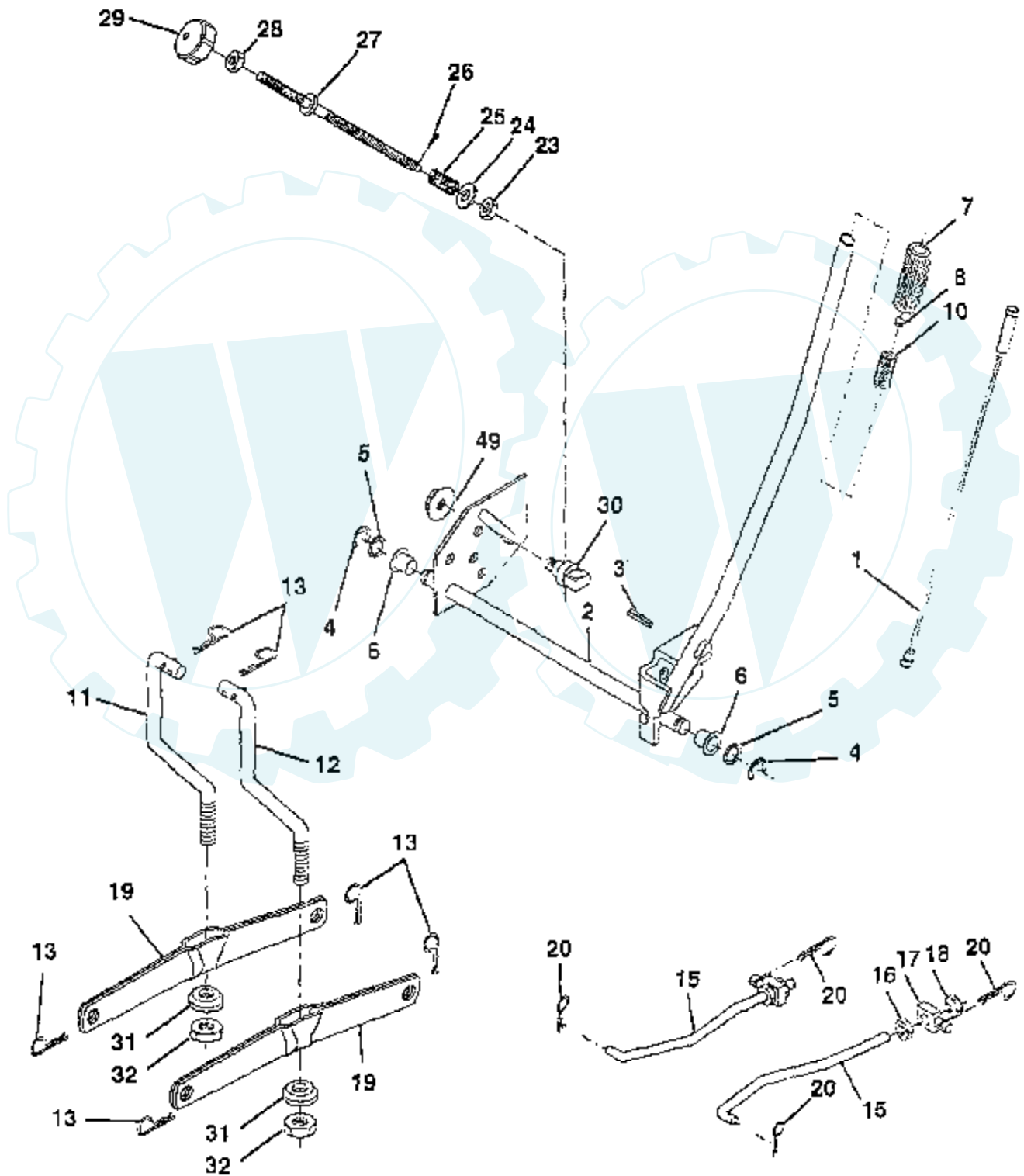
Ref #	Part Number	Qty	Description
1	144393		DECK.WELD.42.
2	72140506		BOLT
3	138017		BRKT ASM SWAY BAR
4	138440		BRKT DECK SW BAR
5	4939M		SUB= 85902
6	130832		SUB= 130833
8	850857		BLADE BOLT
9	10030600		SUB= 10040600
10	140296		WASHER.HARD.BLADE
11	138498		"BLADE.42"" HIPERF"
12	129895		BEARING.BALL
13	137645		SUB= 137646
14	128774		HSG ASM MANDREL
15	110485X		BEARING
16	140329		STRIPPER RND MWR
17	72110618		BOLT CARRIAGE
18	72140505		BOLT
19	132827		BOLT SHD 5/16-18
20	136888		SUB= 918136888
21	73680500		SUB= 73690500
22	134753		STIFFENER BRKT
23	131267		DEFLECTOR BRKT
24	105304X		CAP-SLEEVE LT
25	123713X		SPRING TORSION
26	110452X		NUT PUSH M
27	130968		DEFLECTOR.SHIELD
28	19111016		WASHER
29	131491		HINGE ROD
30	138776		SUB= 157722
31	129963		WASHER
32	153535		PULLEY.MANDREL.42
33	137266		SUB= 139729
34	72110622		BOLT
35	133835		XMAS TREE FASTNER
36	131494		FLAT IDLER PULLEY
37	19131316		WASHER
38	132823		SUB= 532132823
40	73680600		SUB= 73690600
44	140088		GUARD MAND LH BLK
46	137729		SCREW.1/4-20X5/8
54	133943		HARDENED WASHER
55	140084		SUB= 151785
56	122052X		SPACER RETAINER
59	141043		GUARD IDLER TUV
61	131950		SPRING.EXTENSION
68	144200		BELT.V.T-PATH
83	120958X		WASHER
84	144394		SUB= 156084
85	72140618		BOLT RDHD 3/8-16
111	140353		SUB= 155197
112	132262		SUB= 155198
113	17490512		SCREW
114	73510500		NUT
115	72110504		SUB= 872110504
116	4898H		BOLT M
117	105455X		WHEEL.GAGE.BLK.PL
118	73930600		LOCKNUT
119	19121414		WASHER

Ref #	Part Number	Qty	Description
120	19171512		WASHER
121	143723		BRACKET.EXTRD.GWL
125	76020816		COTTER PIN
	130794		MANDREL ASM
	145024		SUB=164964



TRACTOR - - MODEL NUMBER TS15H42A

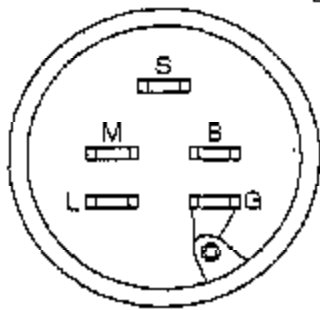
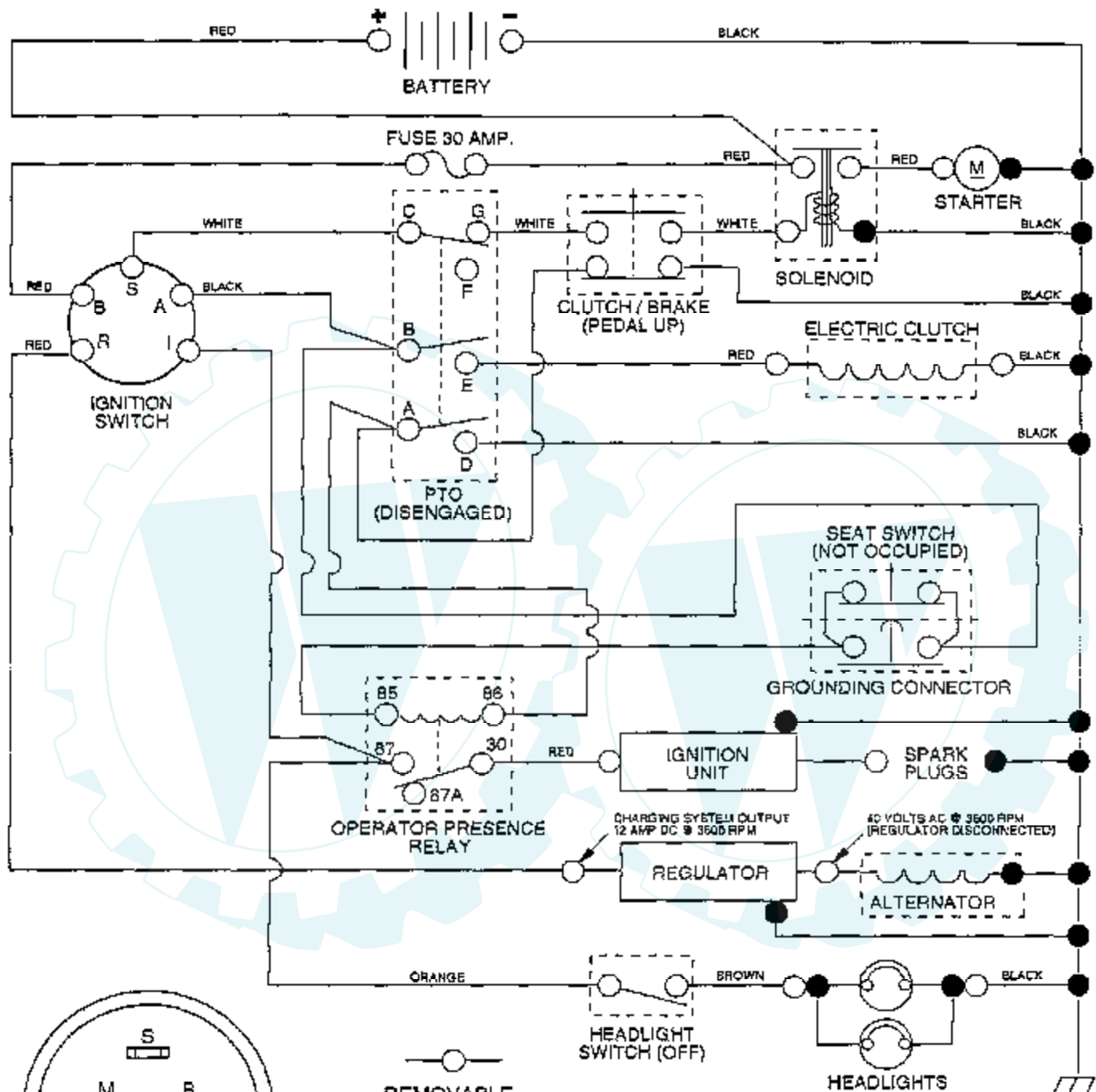
MOWER LIFT



Ref #	Part Number	Qty	Description
1	136971		WIRE.ASM.INNER
2	136968		SHAFT.ASM.LIFT.RH
3	138284		PIN GROOVE
4	12000002		SUB= 2225J
5	19211621		WASHER
6	120183X		NYLON BEARING
7	109413X		GRIP
8	124526X		SUB= 125925X
10	122512X		SUB= 532122512
11	139865		SUB= 918139865
12	139866		SUB= 151140
13	4939M		SUB= 85902
15	127218		LINK.FRONT
16	73350800		NUT
17	130171		TRUNION
18	73800800		NUT.LK.W/WSH.1/2.
19	139868		ARM SUSP REAR
20	3146R		RETAINER.SPRING
23	110807X		NUT T
24	19131016		WASHER
25	137150		SPRING.COMP.INF.H
26	76020308		SUB= 3145
27	137167		ROD.ADJ.LIFT
28	73350600		NUT
29	138057		KNOB INF 3/8-16
30	150233		TRUNNION
31	140302		BEARING PVT LH
32	73540600		NUT.CROWNLOCK.3/8
49	145212		NUT.HXFLG.LOCK.

TRACTOR - - MODEL NUMBER TS15H42A

SCHEMATIC



IGNITION SWITCH

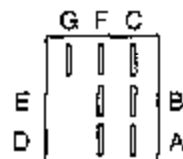
POSITION	CIRCUIT
OFF	M + G
ON	B + L
START	B + S + L

REMOVABLE CONNECTIONS

NON-REMOVABLE CONNECTIONS



RELAY



PTO SWITCH

POSITION	CIRCUIT
OFF	C + G
ON	C + F, B + E, A + D

WIRING INSULATED CLIPS

NOTE: IF WIRING INSULATED CLIPS WERE REMOVED FOR SERVICING OF UNIT, THEY SHOULD BE REPLACED TO PROPERLY SECURE YOUR WIRING

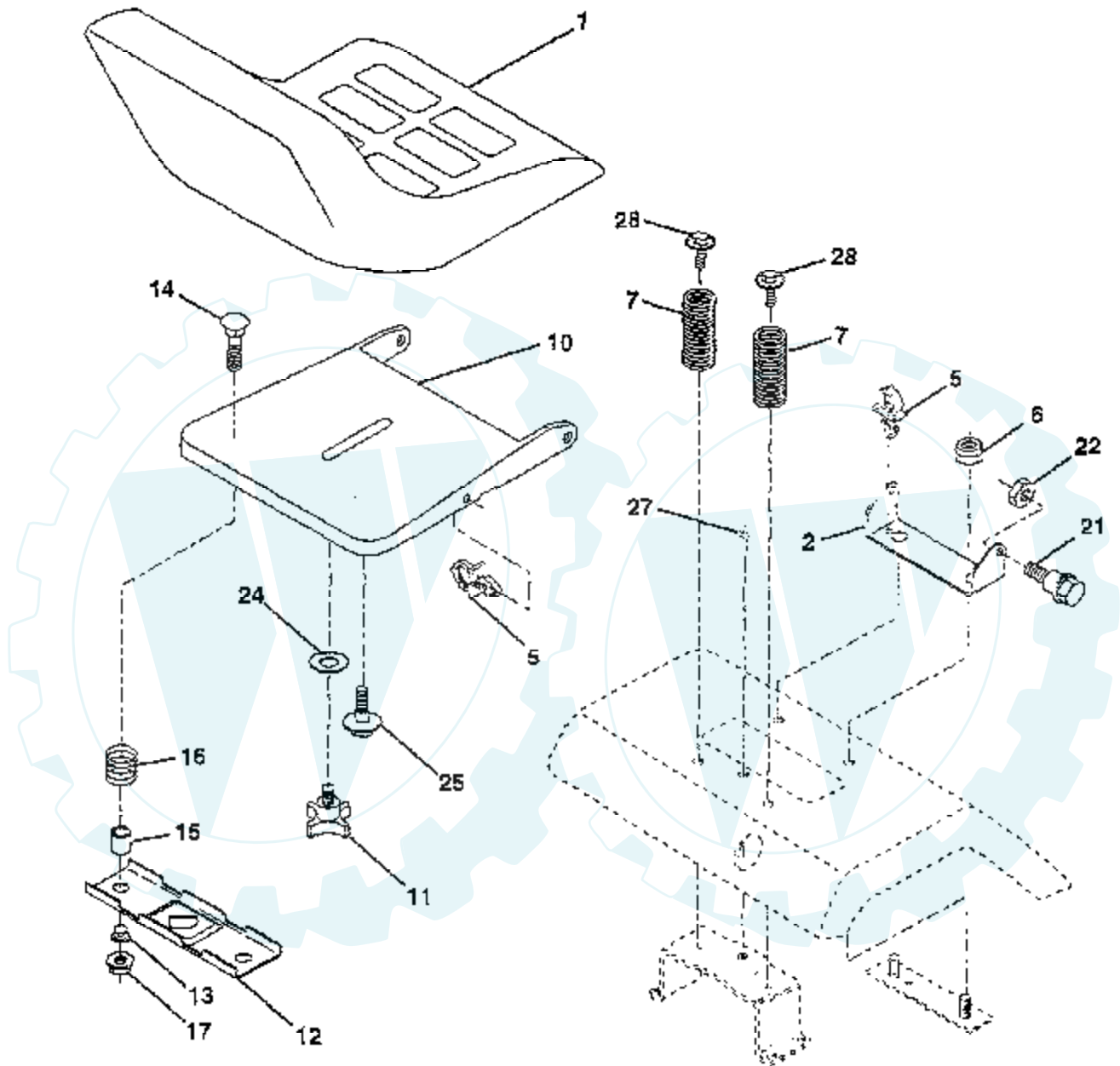
Ref #	Part Number	Qty	Description
-------	-------------	-----	-------------

REFER TO IMAGE



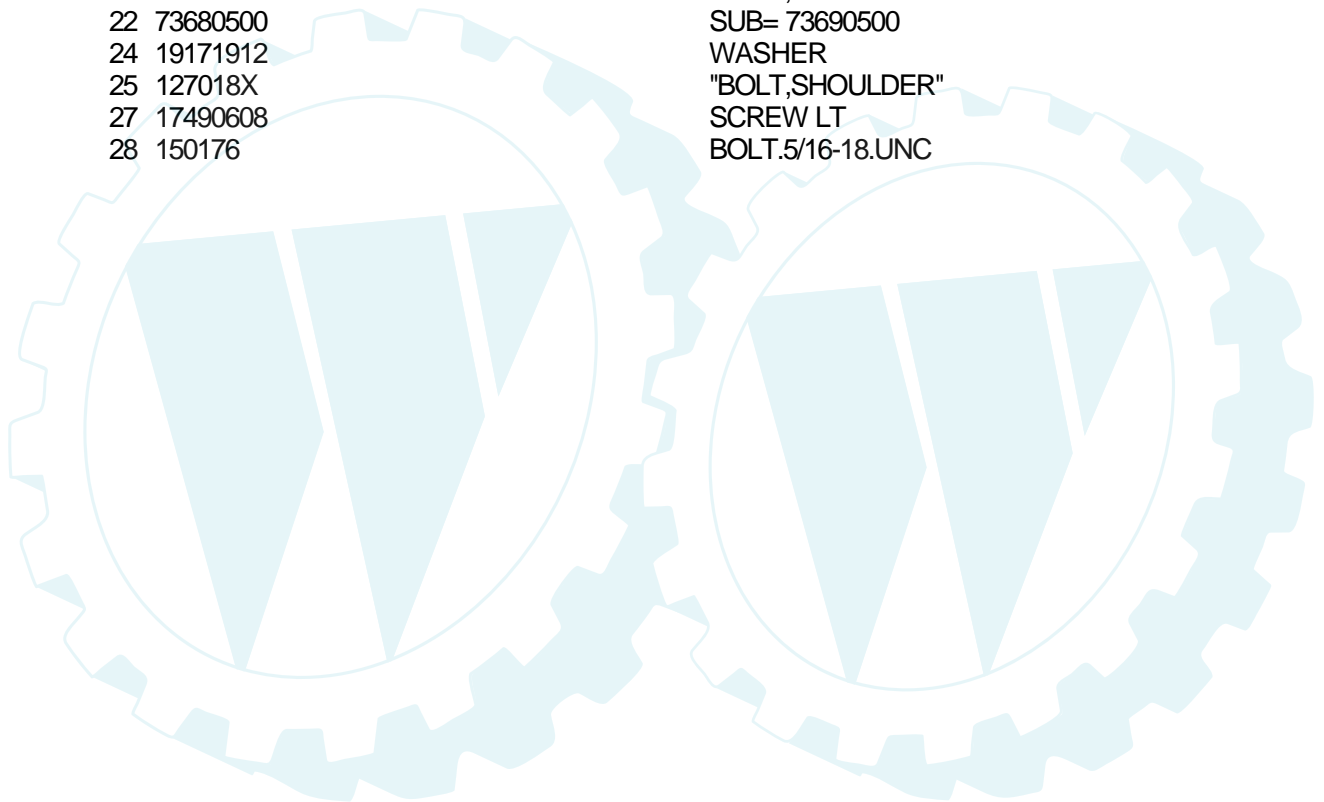
TRACTOR - - MODEL NUMBER TS15H42A

SEAT ASSEMBLY



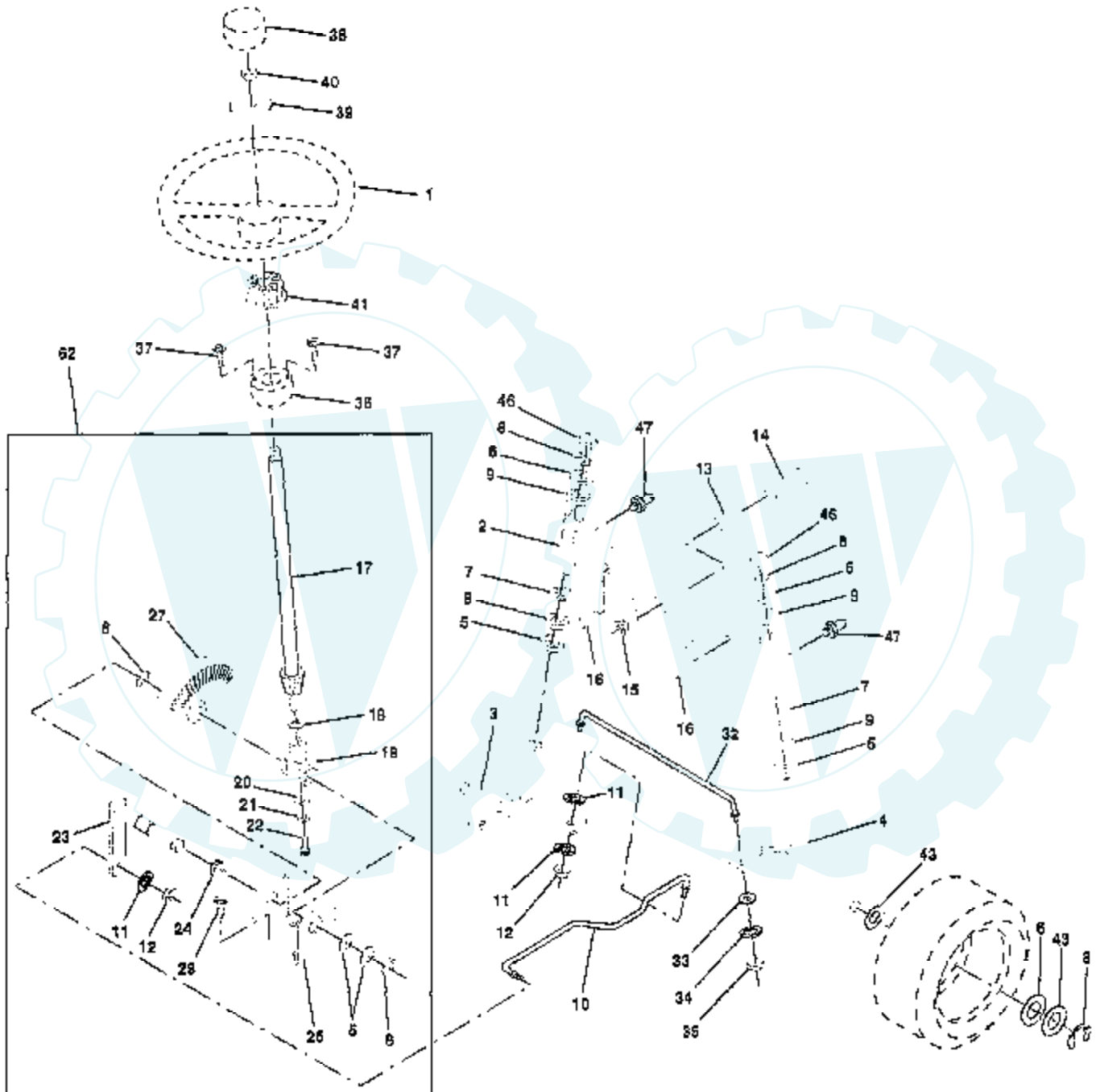
NOTE: All component dimensions given in U.S. inches
1 inch = 25.4 mm

Ref #	Part Number	Qty	Description
1	127429X		SUB= 140121
2	140551		BRACKET PVT SEAT
5	145006		CLIP.PUSH-IN.HING
6	73680600		SUB= 73690600
7	124181X		SPRING COMPRESSIO
10	140552		SUB= 155925
11	120068X		"KNOB 1/2"" YT"
12	121246X		BRKT SWITCH
13	121248X		BUSHING
14	72050411		SUB= 872050411
15	121249X		SPACER SPLIT
16	123740X		SPRING COMPRESSED
17	123976X		SUB= 73900400
21	153236		"BOLT,SHOULDER"
22	73680500		SUB= 73690500
24	19171912		WASHER
25	127018X		"BOLT,SHOULDER"
27	17490608		SCREW LT
28	150176		BOLT.5/16-18.UNC



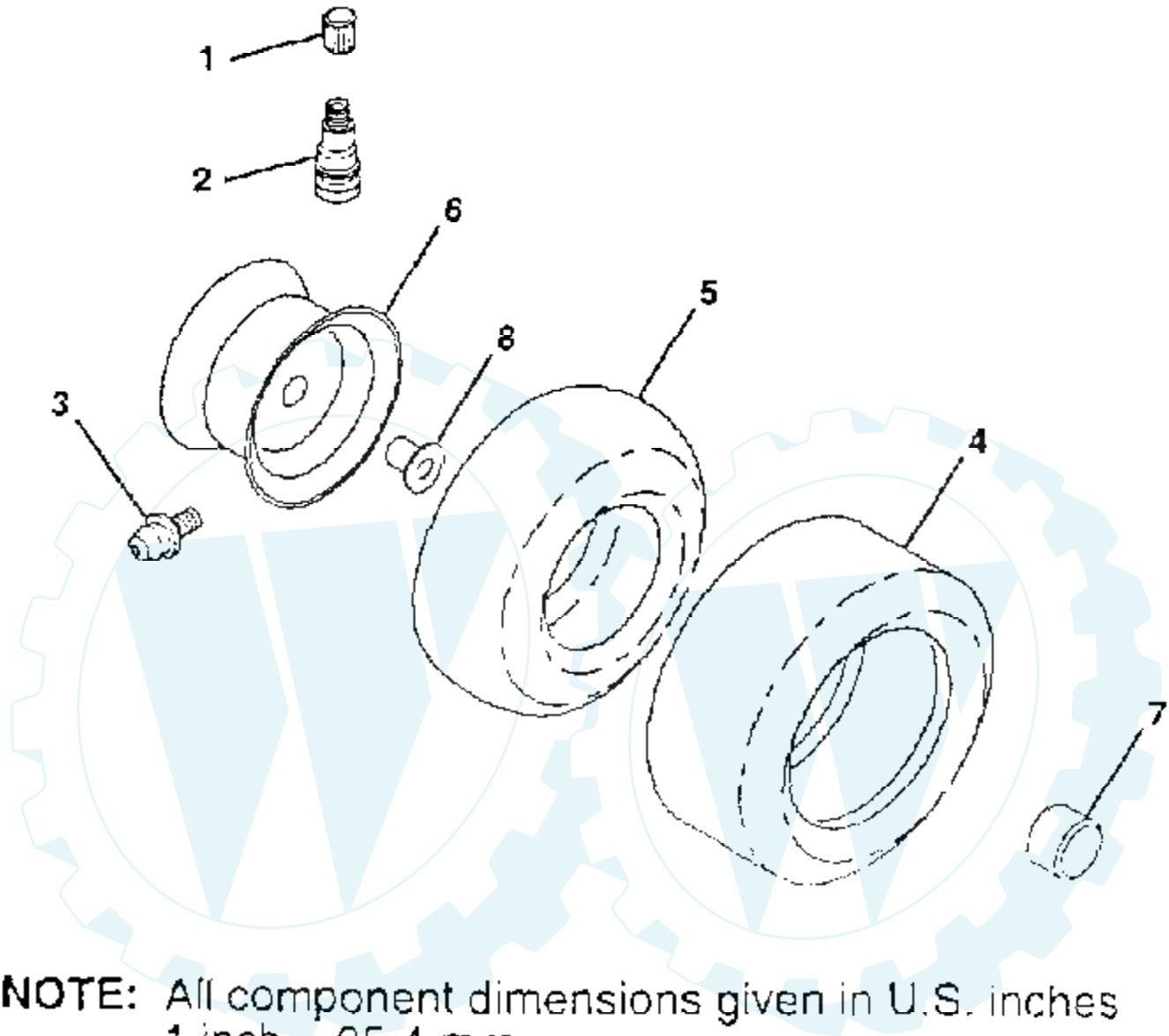
TRACTOR - - MODEL NUMBER TS15H42A

STEERING ASSEMBLY



Ref #	Part Number	Qty	Description
1	121472X		SUB= 150546
2	142033		AXLE ASM FRONT
3	135227		SPINDLE LH
4	135228		SPINDLE RH
5	6266H		WASHER .T
6	121748X		WASHER
7	19272016		WASHER
8	12000029		RING
9	3366R		COL. SRTG. BEAR.
10	130468		SUB= 532130468
11	10040600		LOCKWASHER
12	73610600		SUB= 7810H
13	110438X		BEARING
14	74011056		BOLT HEX 5/8-11
15	73901000		"NUT-LOC,FLANGE LT"
16	132624		AXLE PIN
17	128758		STEERING SHAFT
18	57079		THRUST WASHER
19	124035X		SUPPORT.SHAFT
20	126684X		SUB= 532126684
21	10040400		LOCKWASHER
22	71100410		SCREW.SCKTHD.CAP
23	127501		SUB= 918127501
24	109816X		NYLINER T
25	124036X		"BRKT,STEERING"
27	136874		GEAR SECTOR
29	17490612		SCREW
32	130467		TIE ROD
33	19111216		WASHER M
34	10040500		LOCKWASHER
35	73810500		NUT.LOCK.5/16-24
36	145207		BUSHING.STRG.3/4
37	152927		"SCREW-TT,10-32 FL"
38	126805X		"INSERT,STR WHEEL"
39	100712K		WASHER
40	73940800		SUB= 73360800
41	100711L		ADAPTER LT
43	121749X		WASHER
46	121232X		CAP
47	6855M		ZERK M
62	149682		SUB= 156595

WHEELS & TIRES



NOTE: All component dimensions given in U.S. inches
1 inch = 25.4 mm

Ref #	Part Number	Qty	Description
1	59192		VALVE CAP
2	65139		VALVE STEM LT
3	278H		FITTING LT
4	106222X		SUB= 122073X
4	138468		TIRE.20X8-8
5	59904		TUBE.5.3/4.5/6
5	7152J		TUBE.18X9.5-8
6	106732X417		"RIM,FRT T"
6	106108X417		"RIM 8""
7	104757X		HUB CAP
8	9040H		"FLANGE, BEARING"
	144334		SEALANT.TIRE 10 OZ. TUBE

