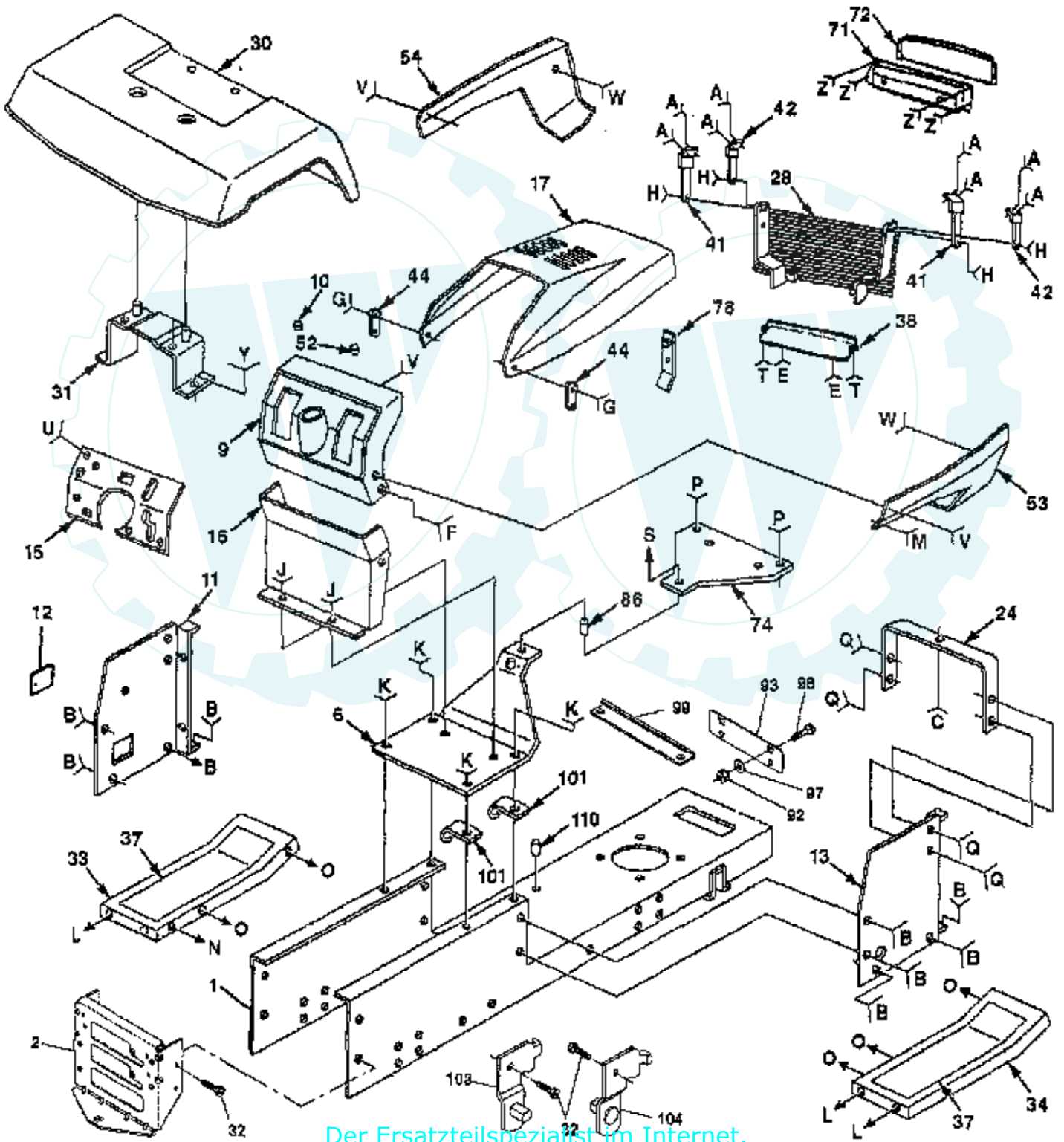
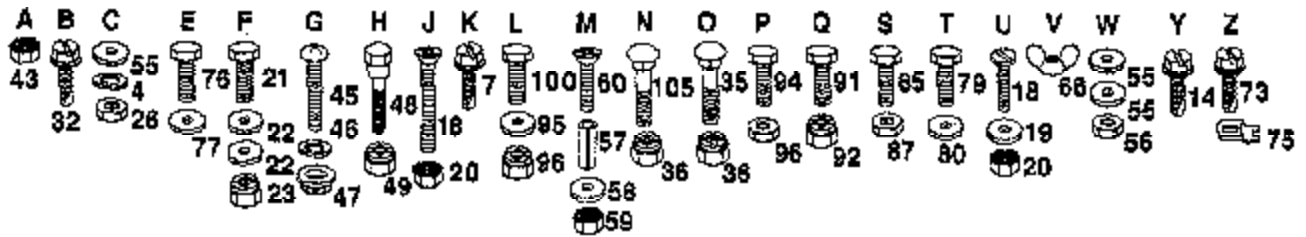


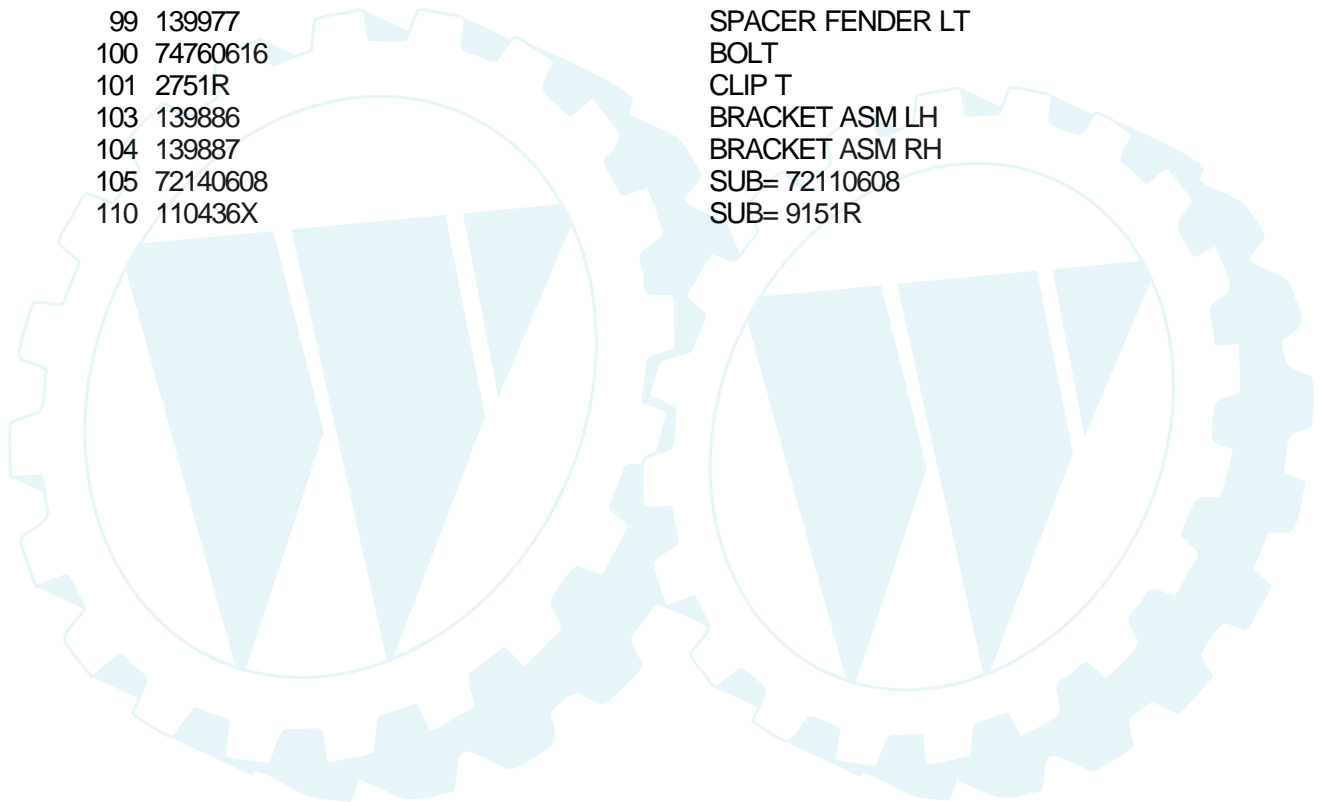
14 HP 42" TRACTOR - - MODEL NUMBER TS14H42B

CHASSIS AND ENCLOSURES



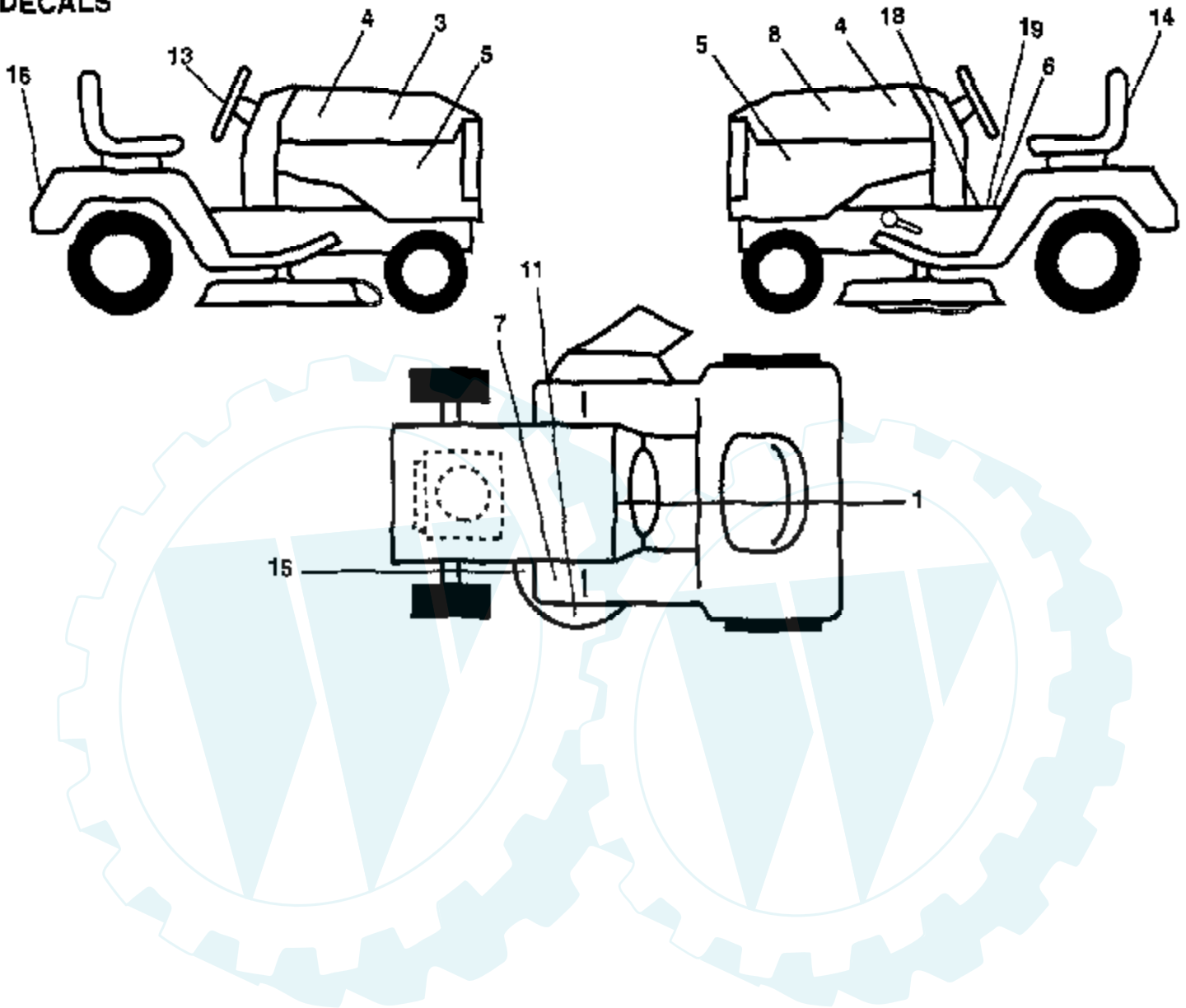
Ref #	Part Number	Qty	Description
1	140341		SUB= 145501
2	140356		SUB= 145009
4	10040400		LOCKWASHER
6	127543X		SUB= 127543X011
7	17490612		SCREW
9	140398		DASHBOARD BLACK
10	5479J		PLUG BUTTON T
11	136967		PANEL.DASH.LH
12	121794X		COVER ACCESS
13	136970		PANEL.DASH.RH
14	17490612		SCREW
15	140299X011		PLATE.SILKSCRND
16	104783X		DASH ASSY LT
17	132635X505		SUB= 150301X505
18	74180512		SCREW
19	19111116		WASHER
20	73510500		NUT
21	74780620		BOLT
22	19131312		WASHER
23	73800600		NUT
24	124130X		SUPPORT ASSY
26	73220400		SUB= 50675
28	131716		SUB= 532131716
30	140001X505		FENDER PNT LT
31	139976		BRACKET SUPT FEND
32	17490612		SCREW
33	105464X505		SUB= 145243X505
34	105465X505		SUB= 145244X505
35	72110606		BOLT
36	73800600		NUT
37	133671		FOOTREST PAD
38	105419X418		STRAP.GRILLE
41	106784X		SUB= 155013
42	104618X		SUB= 155013
43	73510400		NUT
44	109808X		HOOD LATCH T
45	74191008		SCREW
46	10071000		LOCKWASHER
47	2029J		WELDNUT
48	123481X		SUB= 7605J
49	73680400		SUB= 73690400
52	8022J		PLUG-DASH T
53	137655X418		PANEL.SIDE.RH
54	132637X418		SIDE PANEL LH
55	19091216		WASHER PM
56	73220400		SUB= 50675
57	7206J		SPACER LT
58	19070818		WASHER
59	73731000		NUT
60	74981020		SCREW
66	123198X		SUB= 146525
71	124392X417		SUB= 147717
72	106395X		LENS LT
73	17211010		SCREW LT
74	140181		PLATE.SUPT.BATTER
75	104755X		"" J "" FASTENER LT"
76	17490512		SCREW
77	19131210		WASHER

Ref #	Part Number	Qty	Description
78	132644		SUB= 532132644
79	17490412		SCREW HEX CRT
80	19091016		WASHER
85	74760532		BOLT
86	121236X		SPACER
87	73800500		NUT
91	74780616		BOLT
92	73800600		NUT
93	139978		PLATE EXTEN FEND
94	74780616		BOLT
95	19131312		WASHER
96	73800600		NUT
97	19171416		WASHER
98	72140608		SUB= 72110608
99	139977		SPACER FENDER LT
100	74760616		BOLT
101	2751R		CLIP T
103	139886		BRACKET ASM LH
104	139887		BRACKET ASM RH
105	72140608		SUB= 72110608
110	110436X		SUB= 9151R

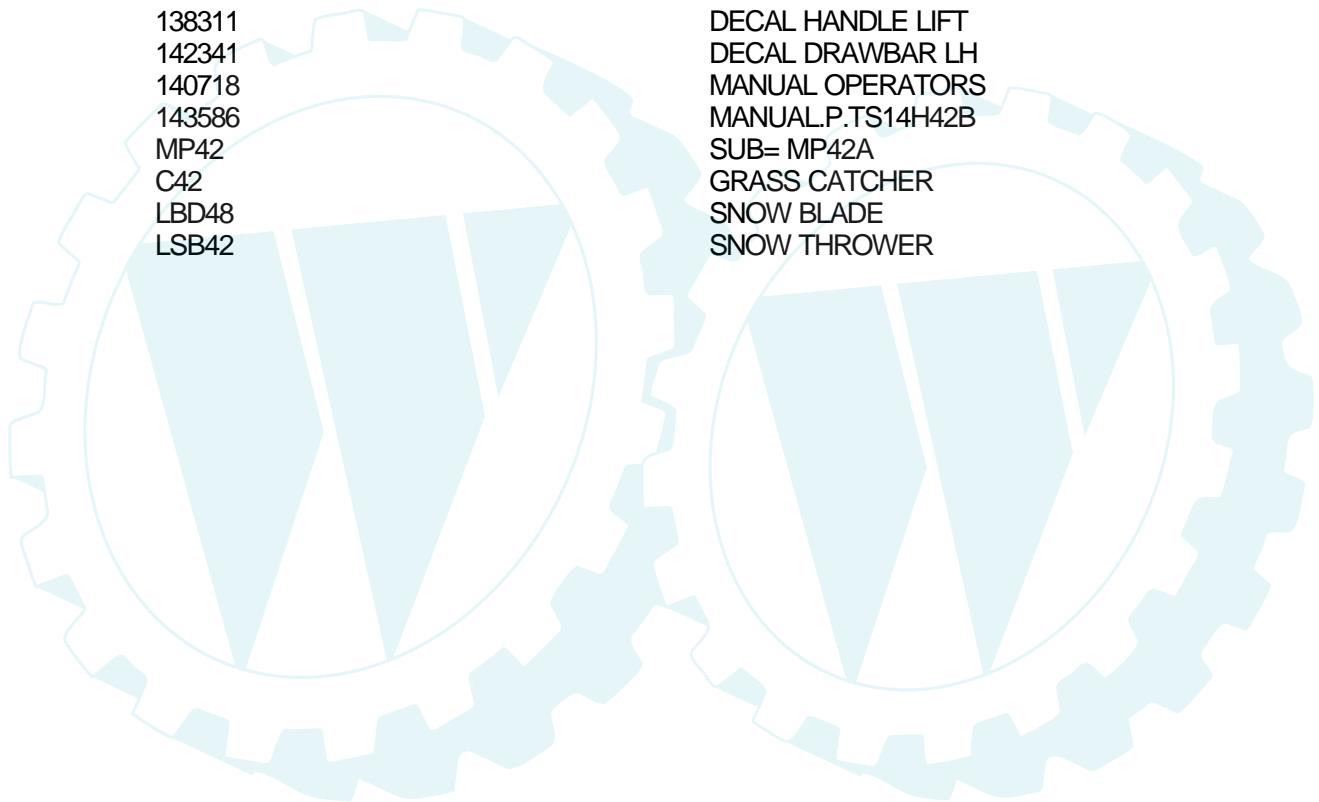


14 HP 42" TRACTOR - - MODEL NUMBER TS14H42B

DECALS

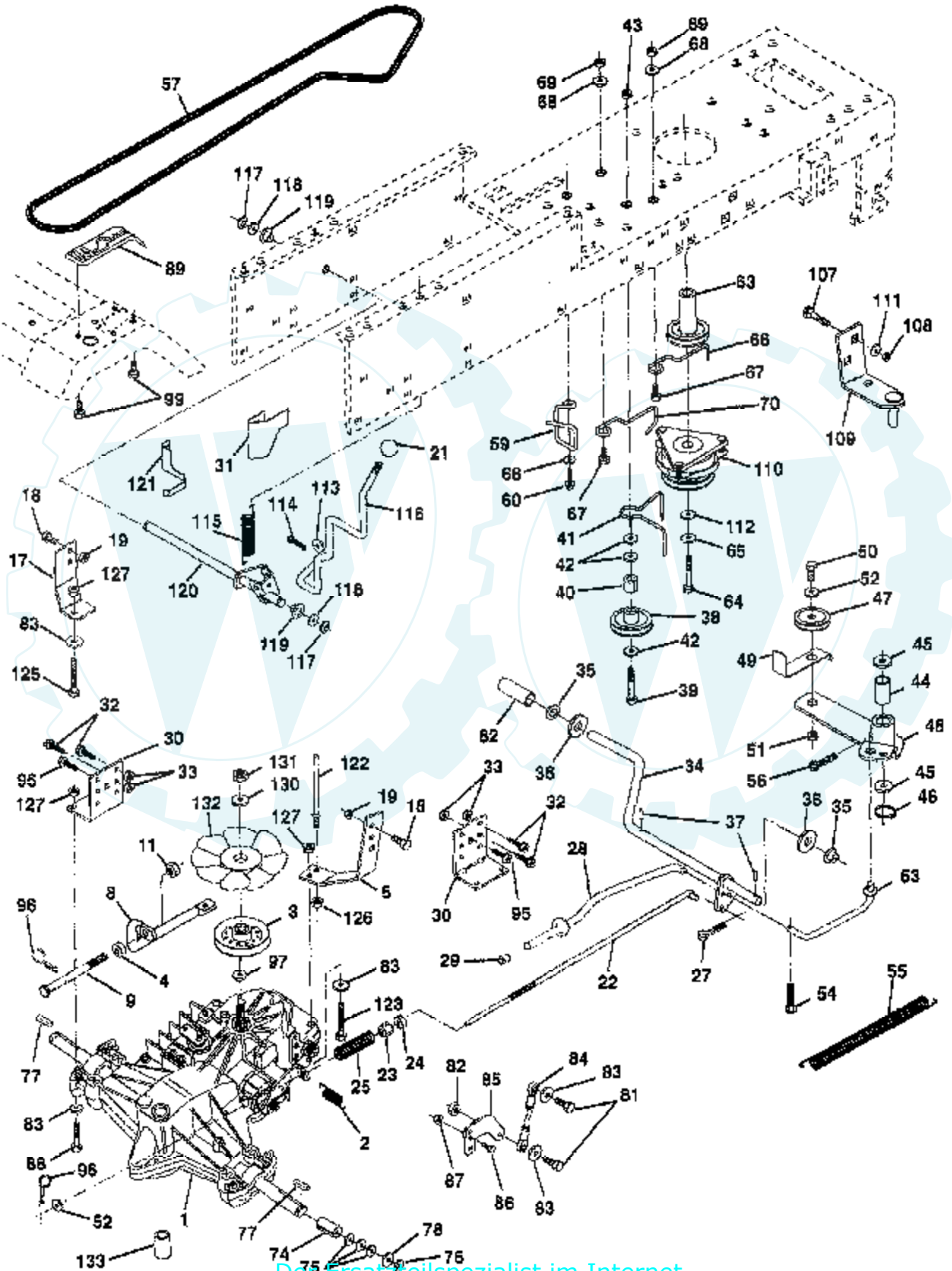


Ref #	Part Number	Qty	Description
1	138955		DECAL.DASH.INST.
3	143089		DECAL.HD.RH.14/42
4	143096		NAMEPLATE.HUSK.LG
5	143100		DECAL.PNL.SIDE.14
6	133796		DECAL
7	4900J		DECAL T
8	143088		DECAL.HD.LH.14/42
11	135013		NLA
13	143098		DECAL.INS.STG.WHL
14	136759		DECAL
15	136830		DECAL.V.BELT
16	123689X		NLA
18	142336		DECAL SADLE HYDRO
19	140837		DECAL BRAK PARK
	138311		DECAL HANDLE LIFT
	142341		DECAL DRAWBAR LH
	140718		MANUAL OPERATORS
	143586		MANUAL.P.TS14H42B
	MP42		SUB= MP42A
	C42		GRASS CATCHER
	LBD48		SNOW BLADE
	LSB42		SNOW THROWER



14 HP 42" TRACTOR - - MODEL NUMBER TS14H42B

DRIVE

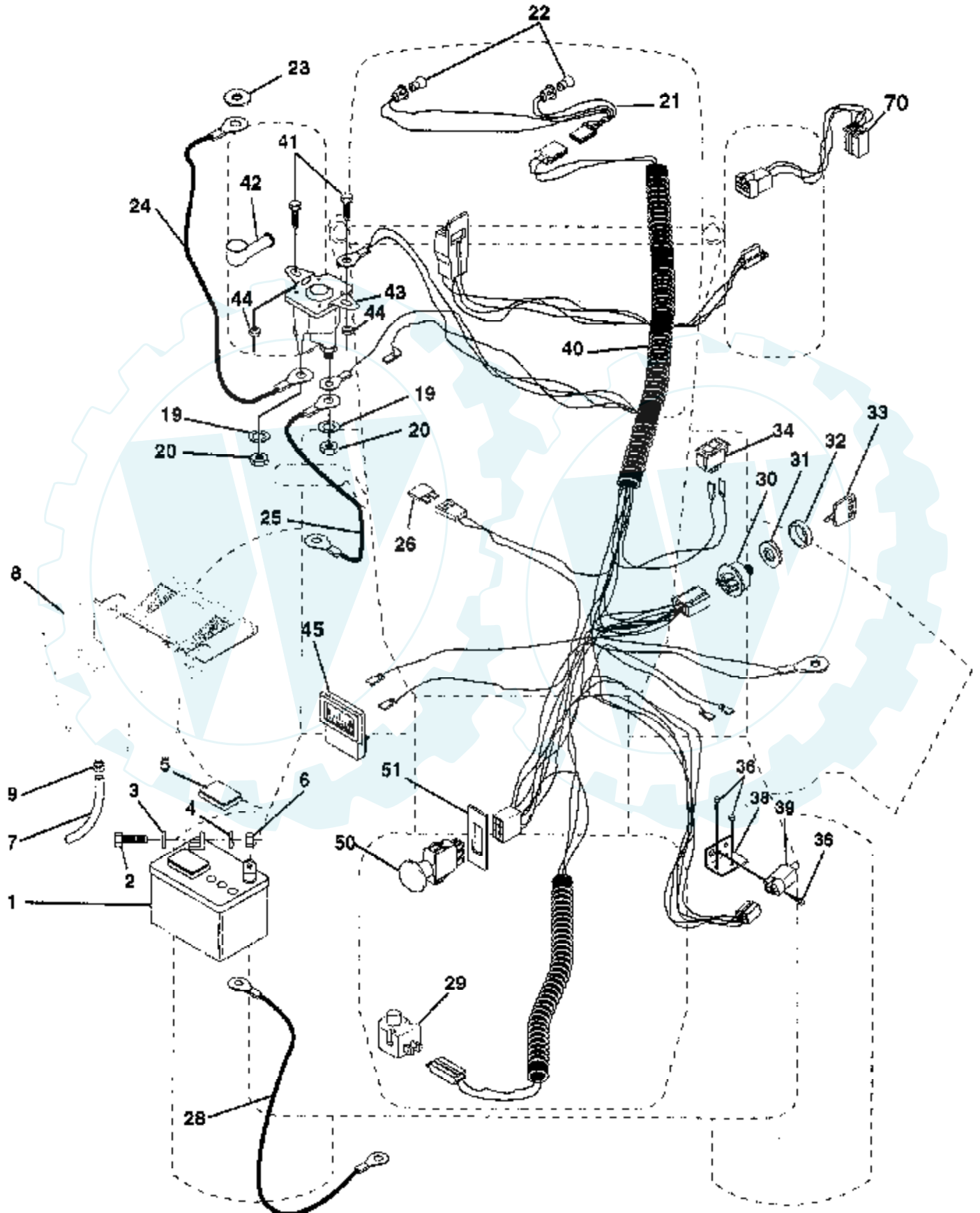


Ref #	Part Number	Qty	Description
1	140295		SUB= 150071
2	142431		SPRING RET BRAKE
3	140293		SUB= 143995
4	73350500		JAM NUT TI
5	140157		STRAP TORQ RH HYD
8	140357		SUB= 144832
9	140550		SUB= 144832
11	73800500		NUT
17	140158		STRAP TORQ LH HYD
18	74780616		BOLT
19	73800600		NUT
21	106933X		KNOB T (1/2-HOLE)
22	140217		SUB= 145627
23	73350600		NUT
24	73800600		NUT
25	106888X		SPRING ROD LT
27	76020412		COTTER PIN
28	133261		BRAKE PARK ROD
29	71673		PLUNGER CAP T
30	130807		TRANSAXLE MTG BKT
31	127275X		"KEEPER,BELT LH T"
32	74760512		BOLT
33	73800500		NUT
34	122424X		SUB= 149001
35	120183X		NYLON BEARING
36	19211616		WASHER LT
37	1572H		SUB= 2882J
38	123674X		PULLEY.IDLER.FLAT
39	74760644		BOLT
40	4470J		SPACER T
41	109070X		BELT KEEPER LT
42	19131312		WASHER
43	73680600		SUB= 73690600
44	105706X		"LY, BEARING"
45	110812X		WASHER LT
46	12000039		KLIP RING
47	127783		SUB= 139245
48	123789X		ARM IDLER
49	123205X		RETAIN BELT
50	74760624		SUB= 74930624
51	73680600		SUB= 73690600
52	19131316		WASHER
53	105710X		"LINK, CLUTCH T"
54	76020412		COTTER PIN
55	105709X		"SPRING, RETURN LT"
56	76020412		COTTER PIN
57	140294		"BELT.GD DRV 82""
59	140312		KEEPER BELT CNTSP
60	17490612		SCREW
62	8883R		PEDAL COVER T
63	140189		PULLEY CLU ELEC
64	M010110110		SUB= M747810110
65	10040700		LOCKWASHER
66	121218X		KEEPER BELT ENGLH
67	74760616		BOLT
68	19131312		WASHER
69	73680600		SUB= 73690600
70	105730X		"KEEPER,BLT ENG LT"

Ref #	Part Number	Qty	Description
74	121199X		SPACER SPLIT
75	121749X		WASHER
76	12000001		E-RING LT
77	123583X		SQUARE KEY
78	121748X		WASHER
81	74780520		BOLT
82	73800500		NUT
83	19111216		WASHER M
84	140548		ROD.TIE.BALL.4.75
85	140156		ARM CONTROL HYDRO
86	71070516		SCREW CAP 5/16-18
87	73800500		NUT
88	74780544		BOLT HEX
89	139988		SUB= 153764
95	17490612		SCREW
96	4497H		RETAINER M
97	19211616		WASHER LT
99	142432		SCREW HEXWSH H-L
107	72140506		BOLT
108	73680500		SUB= 73690500
109	137141		BRACKET.ASM.MTG
110	137140		SUB= 142600
111	19111012		WASHER T
112	126197X		WASHER
113	19171216		WASHER
114	76020416		PIN COTTER 1/8
115	123782X		"SPRING,TORSION"
116	141003		ROD SHIFT FEND LT
117	12000008		KLIP RING
118	19212016		WASHER D
119	71208		BUSHING
120	140154		SUB= 156046
121	140470		KEEPER BELT LH
122	140469		BOLT KEEPER RH
123	74780536		NLA
125	74780524		HEX BOLT
126	73510600		NUT
127	73800500		NUT
130	141322		WASHER BELLEVILLE
131	50831		NUT NYLON 1/2-20
132	140462		"FAN 7"" HYDRO"
133	142564		"LINE FUEL HYD 4"""

14 HP 42" TRACTOR - - MODEL NUMBER TS14H42B

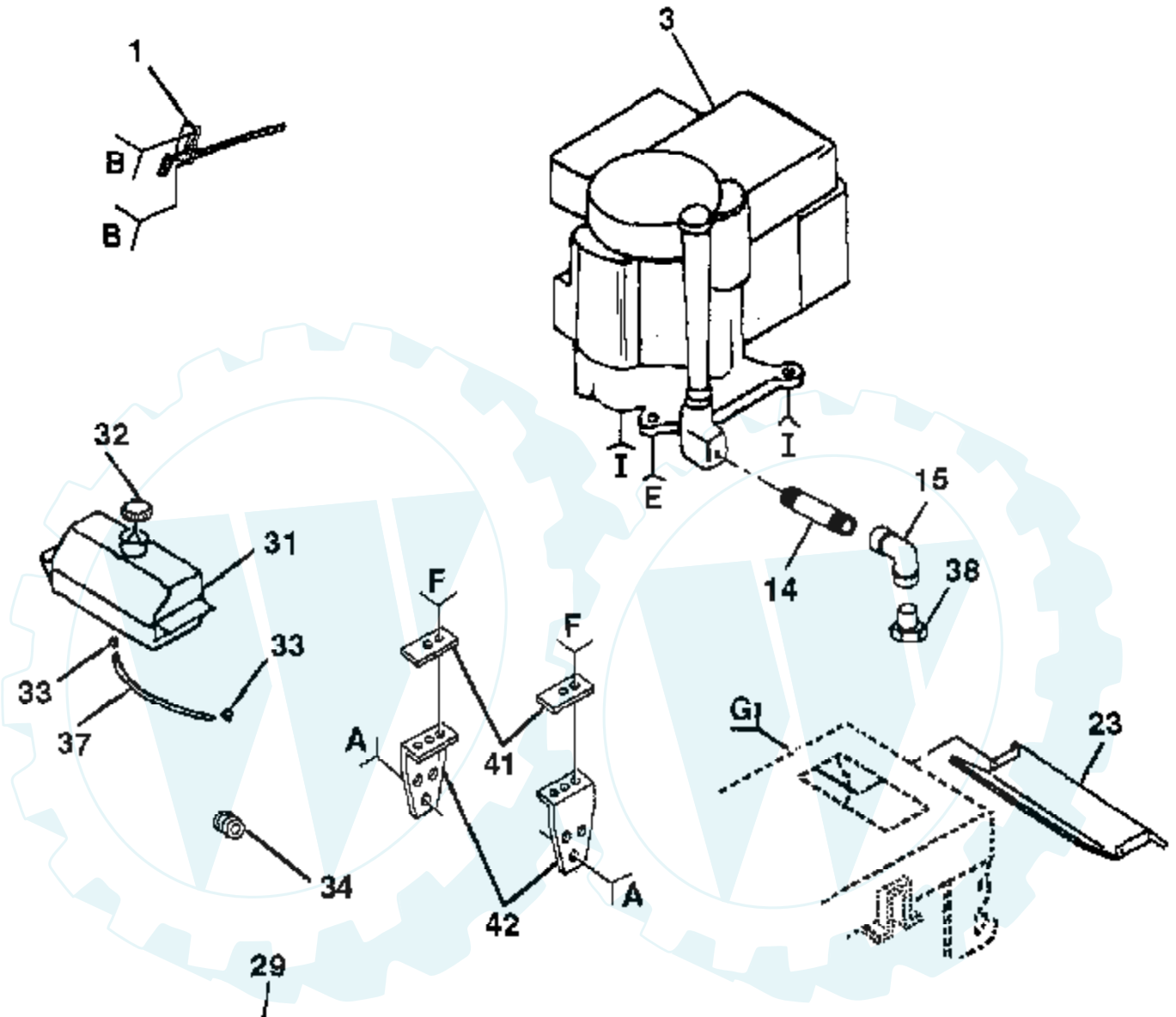
ELECTRICAL



Ref #	Part Number	Qty	Description
1	121265X		SUB= 123899X
2	74760412		BOLT LT
3	19091016		WASHER
4	10040400		LOCKWASHER
5	121264X		"CAP,BATTERY "
6	73220400		SUB= 50675
7	109238X		TUBE T
8	129965		SUB= 156417
9	109569X		PLATE T
19	10090400		SUB= 10040400
20	73350400		NUT
21	136850		"HARNES,LIGHT SOC"
22	4152J		HEADLAMP BULB
23	11150400		LOCKWASHER
24	4206J		CABLE-BATTERY T
25	132202		SUB= 146147
26	108824X		FUSE HYT
28	4207J		CABLE T
29	121305X		SWITCH SEAT
30	140399		SUB= 163088
31	140400		SUB= 145774
32	141226		COVER KEY SWITCH
33	140401		KEY MLD GEN DELTA
34	110712X		SWITCH LT
36	17021008		SCREW
38	140336		BRACKET SWITCH IN
39	109553X		SWITCH INTERLOCKT
40	140421		HARNES.IGN.PTO
41	71110408		BOLT HXHD FIN
42	131563		SUB= 154336
43	138406		SUB= 146154
44	73640400		NUT HXKEP 1/4X20
45	122822X		AMMETER
50	140404		SUB= 154959
51	140405		RING RETAIN PTO
70	140426		HARNES ENG 11GA

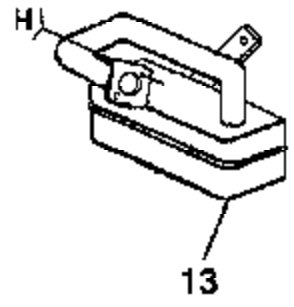
14 HP 42" TRACTOR - - MODEL NUMBER TS14H42B

ENGINE



OPTIONAL EQUIPMENT
Spark Arrester

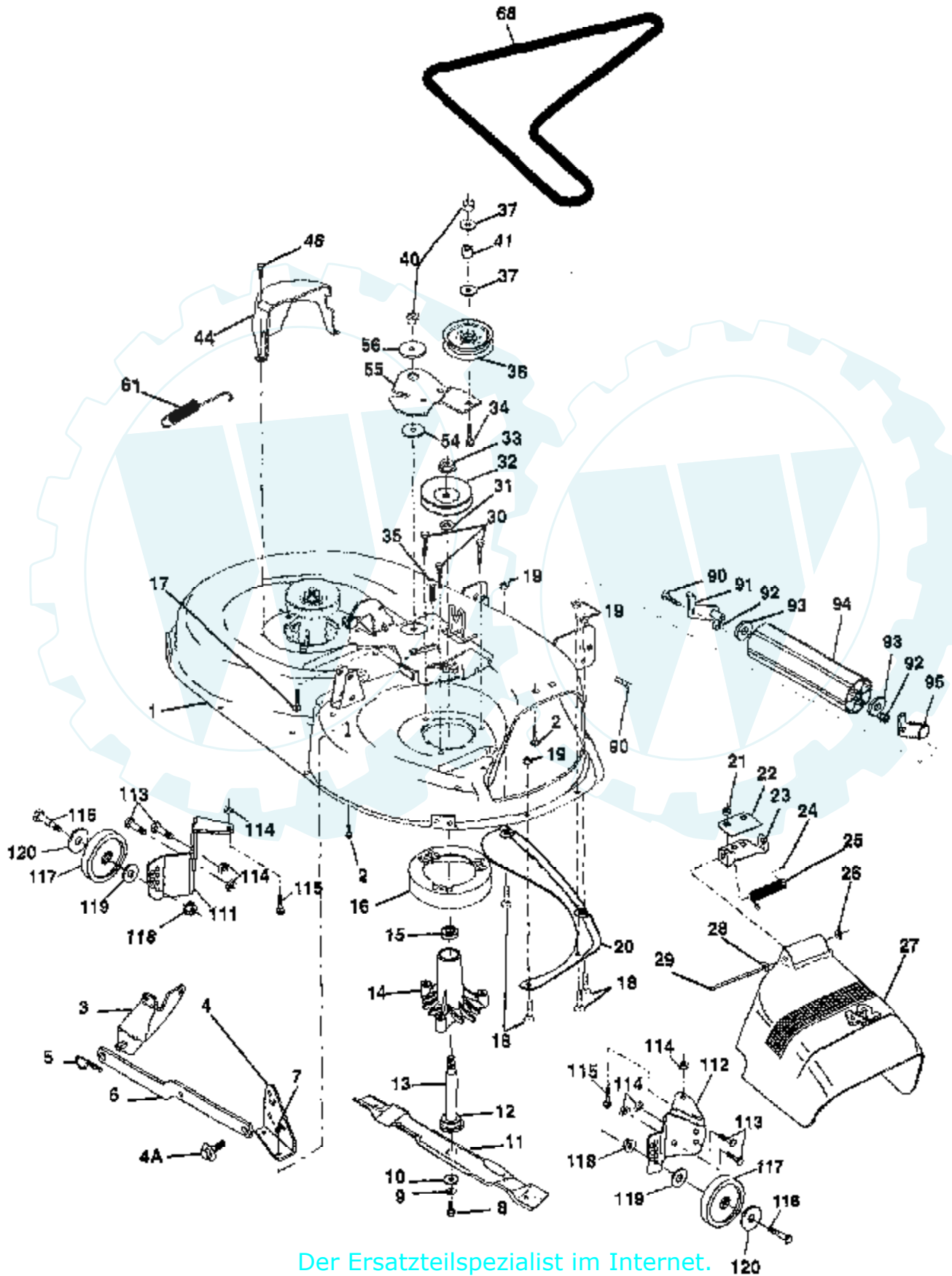
- | | | | | | | |
|----------|----------|----------|----------|----------|----------|----------|
| A | B | E | F | G | H | I |
| | | | | | | |
| | | | | | | |



Ref #	Part Number	Qty	Description
1	132753		THROTTLE CONTROL
2	17720410		SCREW LT
3			REFER TO IMAGE
7	19101216		WASHER
8	74760508		BOLT
11	10040500		LOCKWASHER
13	137350		MUFFLER.LT.12.5
14	13280328		PIPE NIPPLE
15	13200300		ELBOW
16	11050500		LOCKWASHER.5/16.E
17	M740108025		"BOLT,HEX"
23	128953X		SUB= 128953
24	17021008		SCREW
29	137180		SUB= 532137180
31	109202X		TANK.FUEL.LT.
32	140527		CAP ASM FUEL
33	123487X		HOSE CLAMP
34	110436X		SUB= 9151R
35	17490612		SCREW
37	137040		LINE FUEL
38			CHECK WITH SUPPLIER
41	128230		"CLAMP,FUEL TANK T"
42	128229		BRKT FUEL TANK T
43	74780616		BOLT
44	73800600		NUT

14 HP 42" TRACTOR -- MODEL NUMBER TS14H42B

MOWER DECK



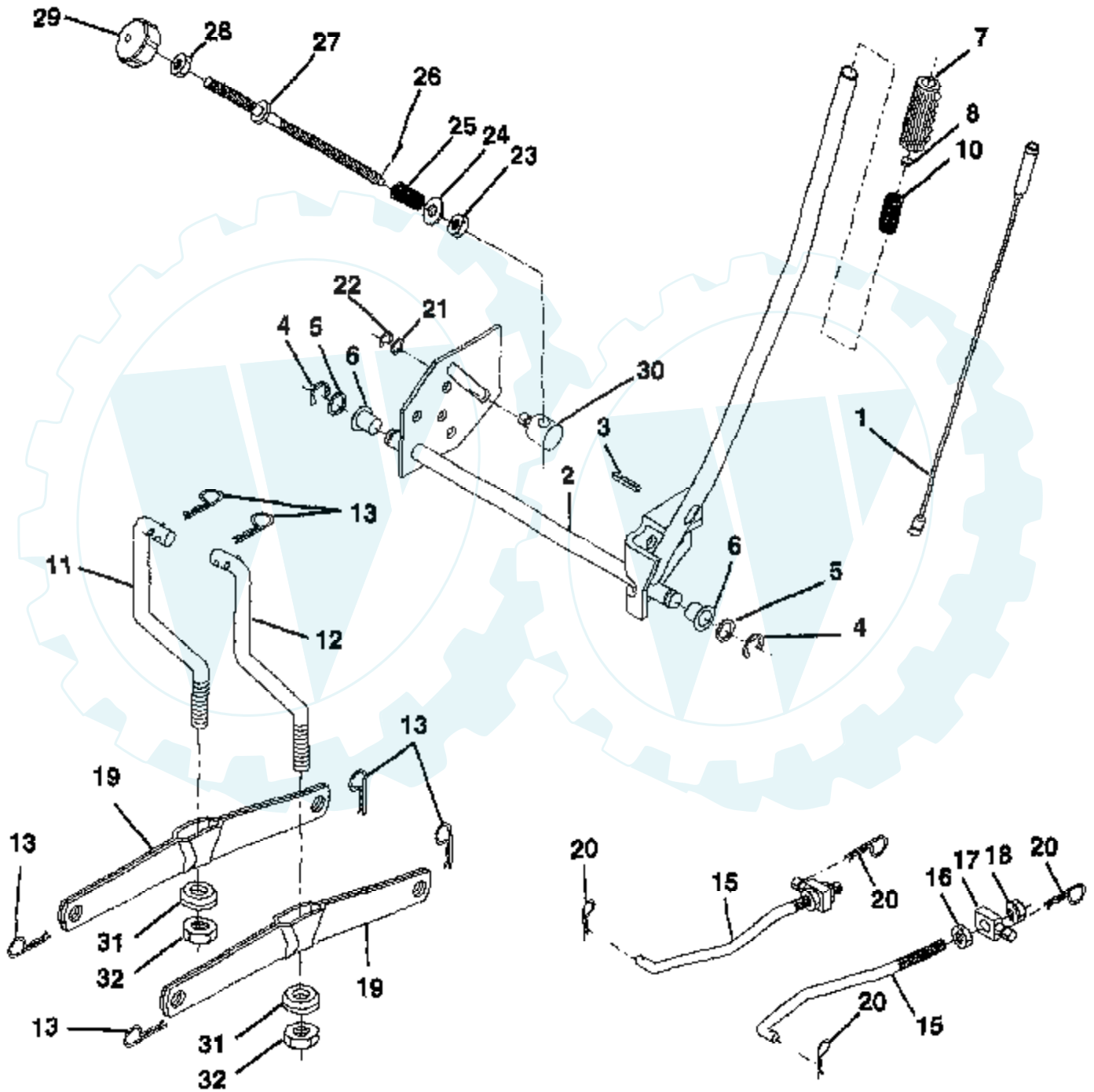
Ref #	Part Number	Qty	Description
1	140081		SUB= 144393
2	72140506		BOLT
3	138017		BRKT ASM SWAY BAR
4	138440		BRKT DECK SW BAR
4A	132827		BOLT SHD 5/16-18
5	4939M		SUB= 85902
6	130832		SUB= 130833
7	73800500		NUT
8	850857		BLADE BOLT
9	10030600		SUB= 10040600
10	140296		WASHER.HARD.BLADE
11	134149		"BLADE.42"" MULCHER"
12	129895		BEARING.BALL
13	137645		SUB= 137646
14	128774		HSG ASM MANDREL
15	110485X		BEARING
16	136929		SUB= 140329
17	72110610		BOLT RDHD 3/8-16
18	72140505		BOLT
19	73800500		NUT
20	136888		SUB= 918136888
21	73800500		NUT
22	134753		STIFFENER BRKT
23	131267		DEFLECTOR BRKT
24	105304X		CAP-SLEEVE LT
25	123713X		SPRING TORSION
26	110452X		NUT PUSH M
27	130968		DEFLECTOR.SHIELD
28	19111016		WASHER
29	131491		HINGE ROD
30	138776		SUB= 157722
31	129963		WASHER
32	129861		SUB= 153535
33	137266		SUB= 139729
34	72110622		BOLT
35	133835		XMAS TREE FASTNER
36	131494		FLAT IDLER PULLEY
37	19131316		WASHER
40	73800600		NUT
41	132823		SUB= 532132823
44	140088		GUARD MAND LH BLK
46	137729		SCREW.1/4-20X5/8
54	133943		HARDENED WASHER
55	140084		SUB= 151785
56	122052X		SPACER RETAINER
61	131950		SPRING.EXTENSION
68	140067		BELT-V MWR 82.625
90	74760616		BOLT
91	132274		SUB= 532132274
92	73680600		SUB= 73690600
93	19171416		WASHER
94	132264		SUB= 532132264
95	132273		SUB= 532132273
111	140353		SUB= 155197
112	132262		SUB= 155198
113	74760512		BOLT
114	73510500		NUT
115	72110504		SUB= 872110504

Ref #	Part Number	Qty	Description
116	4898H		BOLT M
117	105455X		WHEEL.GAGE.BLK.PL
118	73930600		LOCKNUT
119	19121414		WASHER
120	19171512		WASHER
	130794		MANDREL ASM
	140476		SUB= 145452



14 HP 42" TRACTOR - - MODEL NUMBER TS14H42B

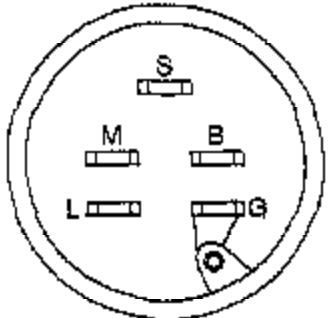
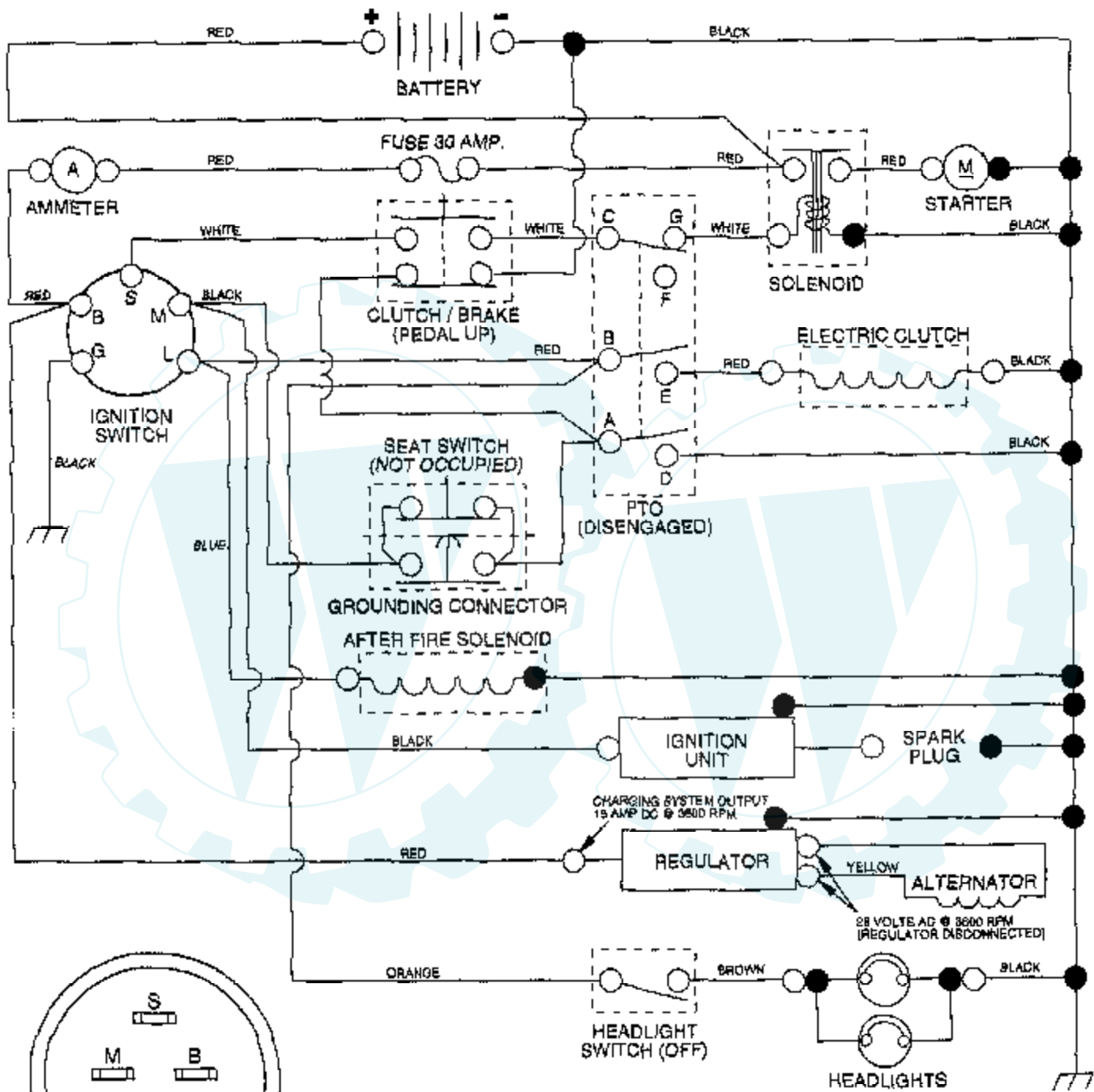
MOWER LIFT



Ref #	Part Number	Qty	Description
1	136971		WIRE.ASM.INNER
2	136968		SHAFT.ASM.LIFT.RH
3	138284		PIN GROOVE
4	12000002		SUB= 2225J
5	19211621		WASHER
6	120183X		NYLON BEARING
7	125631X		GRIP HANDLE
8	124526X		SUB= 125925X
10	122512X		SUB= 532122512
11	139865		SUB= 918139865
12	139866		SUB= 151140
13	4939M		SUB= 85902
15	127218		LINK.FRONT
16	73350800		NUT
17	130171		TRUNION
18	73800800		NUT.LK.W/WSH.1/2.
19	139868		ARM SUSP REAR
20	3146R		RETAINER.SPRING
21	19151216		WASHER
22	12000037		KLIP RING
23	110807X		NUT T
24	19131016		WASHER
25	2876H		SPRING T
26	76020308		SUB= 3145
27	110729X		ROD LIFT LT
28	73350600		NUT
29	138057		KNOB INF 3/8-16
30	110810X		TRUNION LT
31	140302		BEARING PVT LH
32	73810600		NUT.LOCK.3/8-24

14 HP 42" TRACTOR - - MODEL NUMBER TS14H42B

SCHEMATIC



IGNITION SWITCH

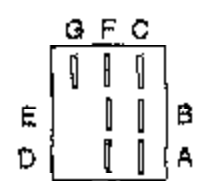
POSITION	CIRCUIT
OFF	M + G
ON	B + L
START	B + S + L

● NON-REMOVABLE CONNECTIONS

○ REMOVABLE CONNECTIONS

WIRING INSULATED CLIPS

NOTE: IF WIRING INSULATED CLIPS WERE REMOVED FOR SERVICING OF UNIT, THEY SHOULD BE REPLACED TO PROPERLY SECURE YOUR WIRING



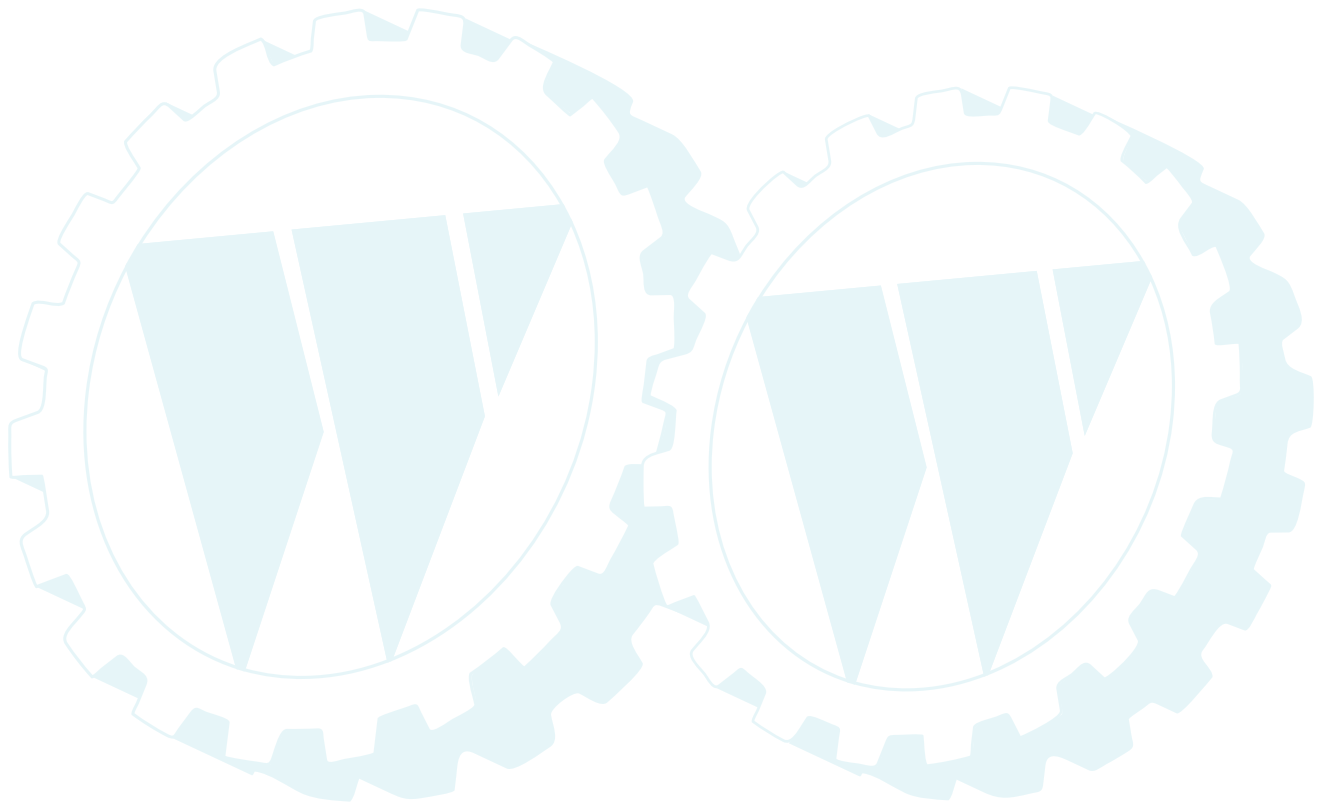
PTO SWITCH

POSITION	CIRCUIT
OFF	C + G
ON	C + F, B + E, A + D

Ref # Part Number

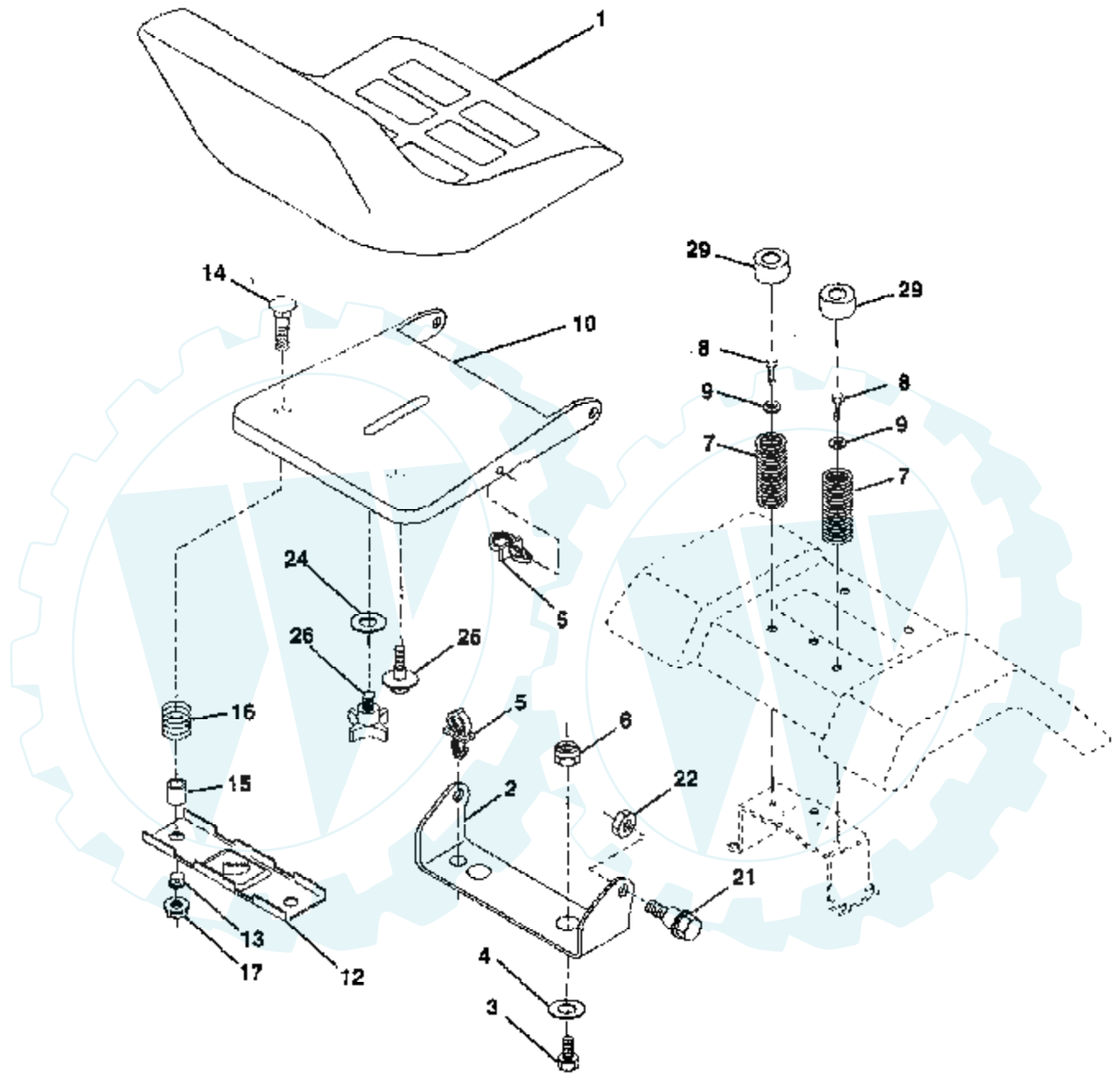
Qty Description

REFER TO IMAGE

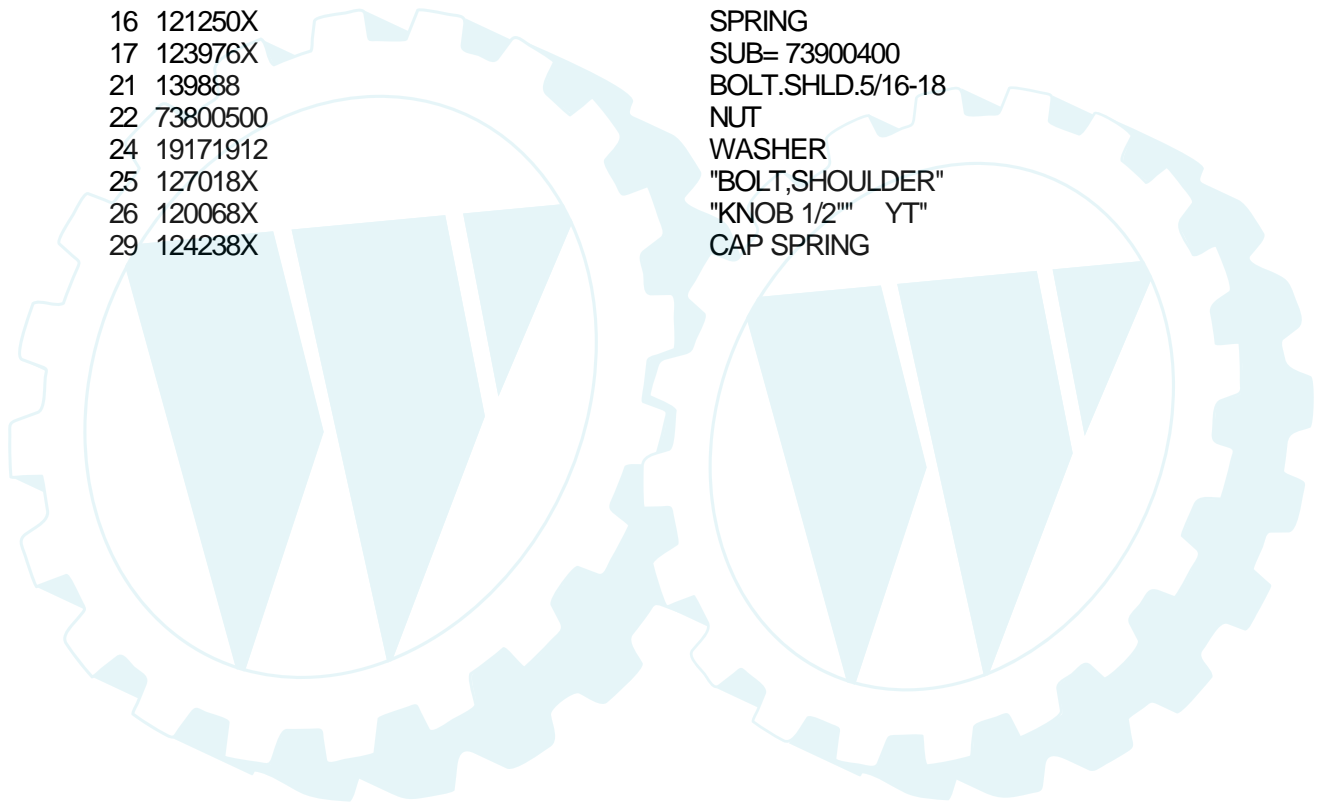


14 HP 42" TRACTOR - - MODEL NUMBER TS14H42B

SEAT

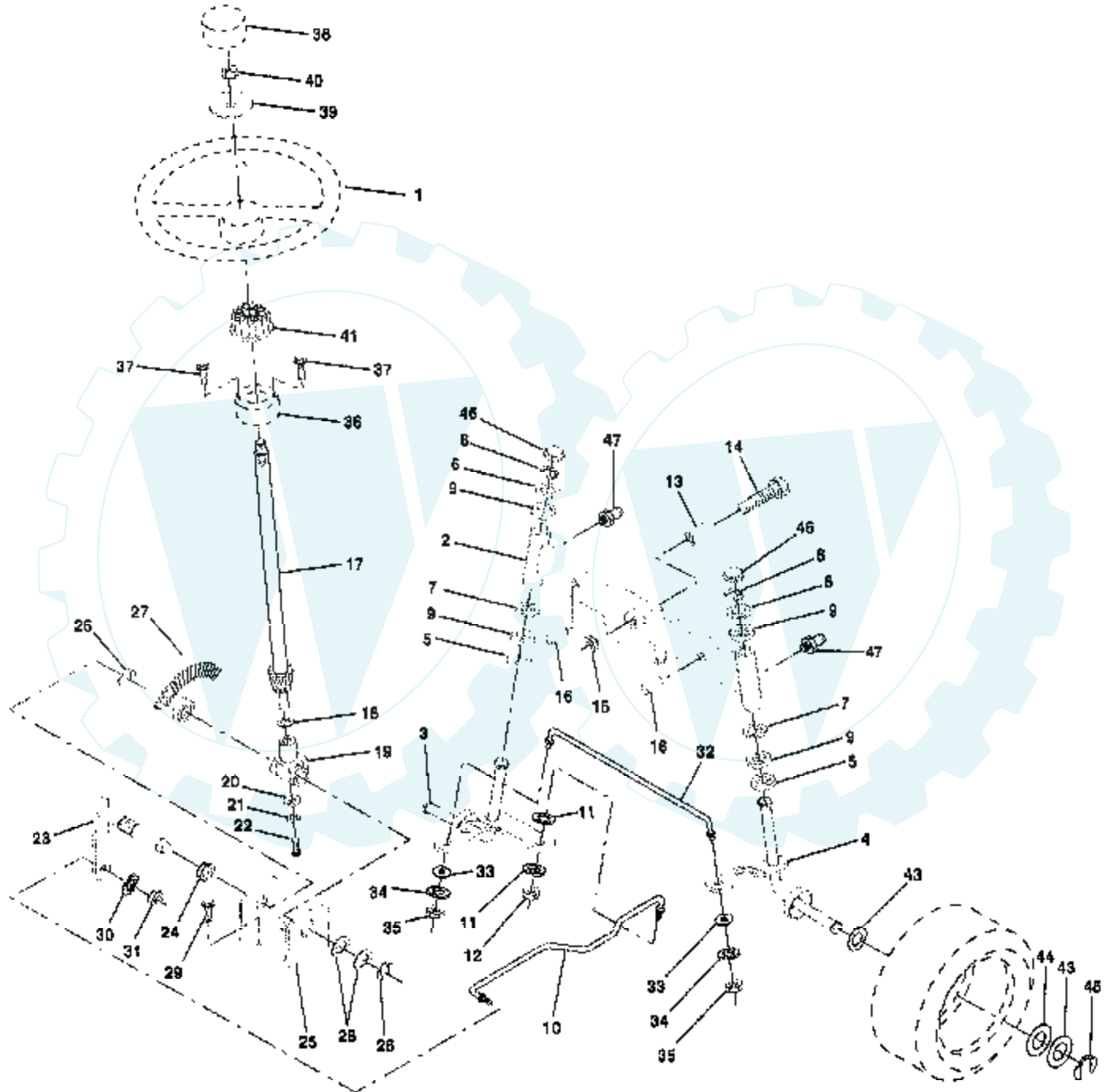


Ref #	Part Number	Qty	Description
1	127428		SUB= 140119
2	140551		BRACKET PVT SEAT
3	74760616		BOLT
4	19131610		WASHER PM
5	140407		CLIP PUSH - IN
6	73800600		NUT
7	124181X		SPRING COMPRESSIO
8	17490616		SCREW GTV
9	19131614		WASHER
10	140552		SUB= 155925
12	121246X		BRKT SWITCH
13	121248X		BUSHING
14	72050411		SUB= 872050411
15	134300		SPLIT SPACER
16	121250X		SPRING
17	123976X		SUB= 73900400
21	139888		BOLT.SHLD.5/16-18
22	73800500		NUT
24	19171912		WASHER
25	127018X		"BOLT,SHOULDER"
26	120068X		"KNOB 1/2" YT"
29	124238X		CAP SPRING



14 HP 42" TRACTOR - - MODEL NUMBER TS14H42B

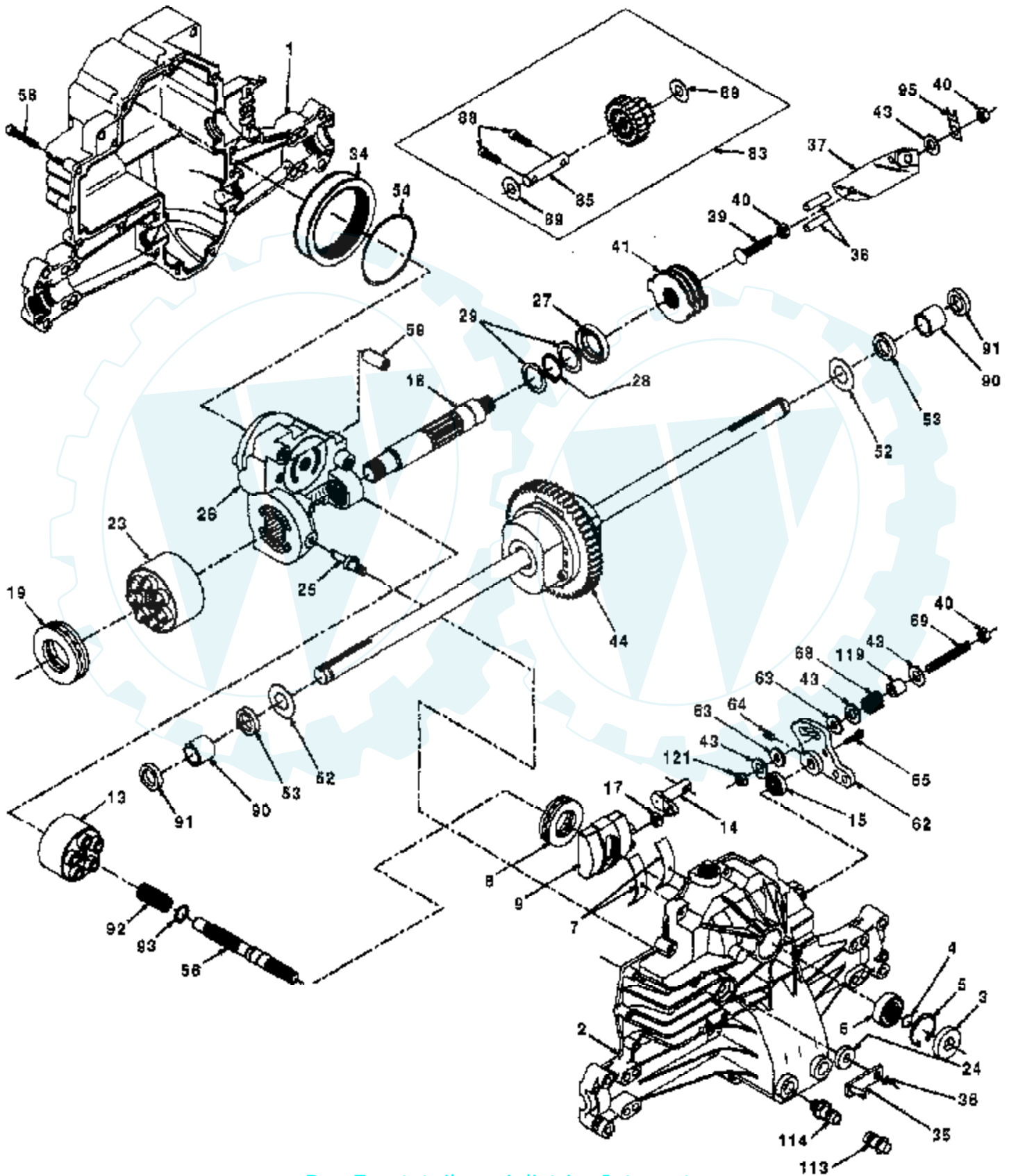
STEERING WHEEL



Ref #	Part Number	Qty	Description
1	121472X		SUB= 150546
2	142033		AXLE ASM FRONT
3	135227		SPINDLE LH
4	135228		SPINDLE RH
5	6266H		WASHER .T
6	121748X		WASHER
7	19272016		WASHER
8	12000029		RING
9	3366R		COL. SRTG. BEAR.
10	130468		SUB= 532130468
11	10040600		LOCKWASHER
12	73610600		SUB= 7810H
13	110438X		BEARING
14	74011056		BOLT HEX 5/8-11
15	73901000		"NUT-LOC,FLANGE LT"
16	132624		AXLE PIN
17	128758		STEERING SHAFT
18	57079		THRUST WASHER
19	124035X		SUPPORT.SHAFT
20	126684X		SUB= 532126684
21	10040400		LOCKWASHER
22	71070410		"SCREW,SPECIAL"
23	127501		SUB= 918127501
24	109816X		NYLINER T
25	124036X		"BRKT,STEERING"
26	12000029		RING
27	136874		GEAR SECTOR
28	6266H		WASHER .T
29	17490612		SCREW
30	10040600		LOCKWASHER
31	73610600		SUB= 7810H
32	130467		TIE ROD
33	19111216		WASHER M
34	10040500		LOCKWASHER
35	73810500		NUT.LOCK.5/16-24
36	1554J		SUB= 155108
37	17431008		SUB= 98000165
38	126805X		"INSERT,STR WHEEL"
39	100712K		WASHER
40	73940800		SUB= 73360800
41	100711L		ADAPTER LT
43	121749X		WASHER
44	121748X		WASHER
45	12000029		RING
46	121232X		CAP
47	6855M		ZERK M

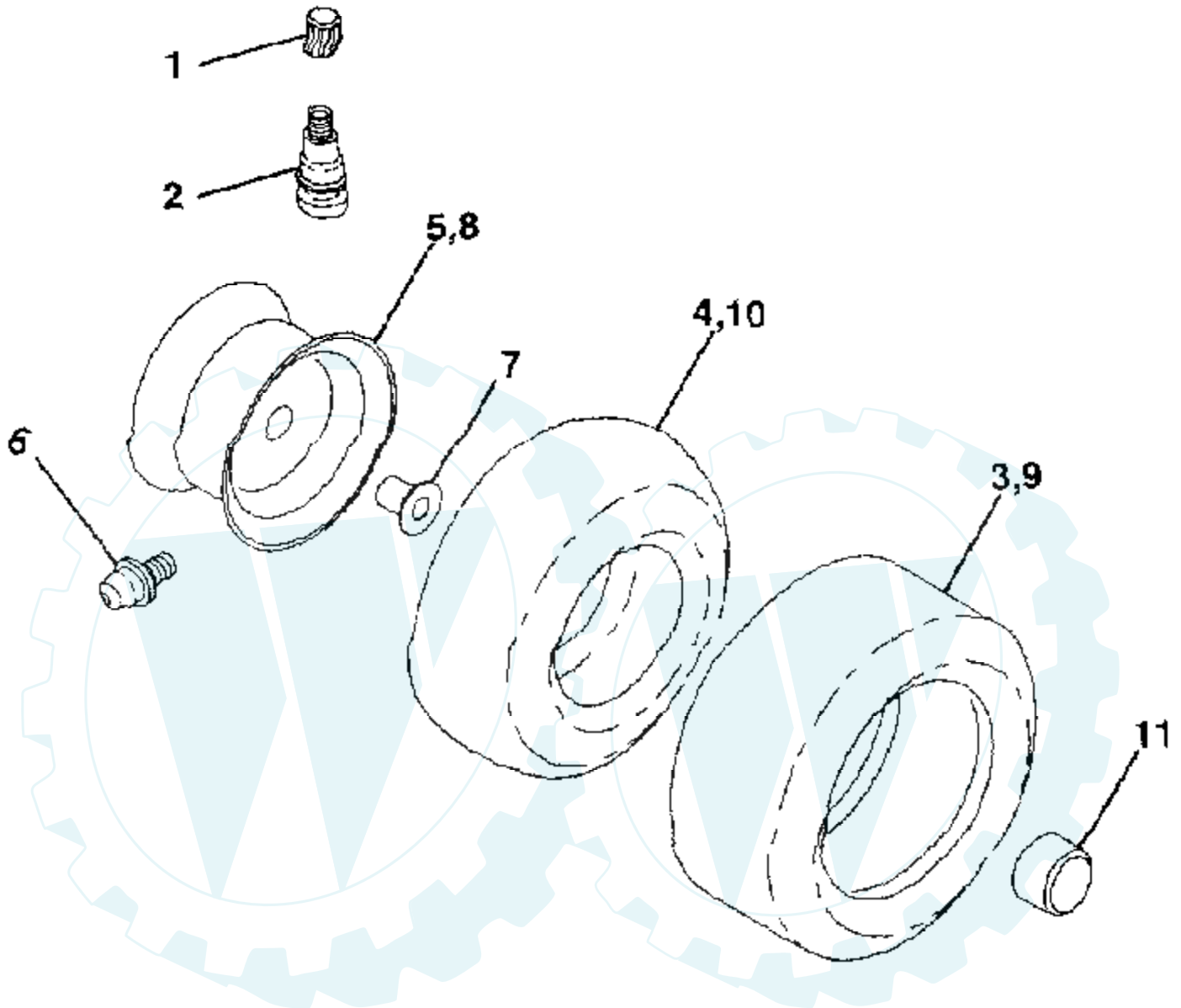
14 HP 42" TRACTOR - - MODEL NUMBER TS14H42B

TRANSMISSION - HYDRO GEAR MODEL NUMBER 319-0750



Ref #	Part Number	Qty	Description
1	142930		HOUSING.L.50074RM
2	142931		HOUSING.UP.70125
3	142932		SEAL.9008000-0128
4	142928		RING.RET.2003016.
5	142933		RING.RET.2003052.
6	142934		BEARING.(50552)42X68X16
7	142935		CRADLE- 2003023.
8	142936		BEARING.2003044.
9	142937		SWASHPLT.2003087.
13	142938		BLOCK.CLYN.70079.
14	142939		ARM.TRUN.2003005.
15	142940		SEAL.9008000-0126
17	142941		GUIDE.2000015.
18	142942		SHAFT.MOTOR.50115
19	142943		BEARING.THS.50019
23	142944		BLOCK.CYLIN.70082
24	142945		SEAL.LIP.45074
25	142946		ACTUATOR.2003555
26	142947		KIT.CENTER.70133
27	142948		SEAL.LIP.45075
28	142949		RING RETAIN 50007
29	142950		WASHER.44872
34	142951		ELEMENT.OIL.44964
35	142952		ARM.BYPASS.50270
36	142953		RING.RETAIN.44870
37	142954		ARM.ACTUAT.23710
38	142955		PIN.ACTUAT.44891
39	142956		SUB= 149705
40	142957		NUT.LOCK.HX.50108
41	142958		KIT.BRAKE.70135
43	142884		WASHER HYD 44130
44	142959		DIFFERENTIA.70130
52	142960		WASHER.HYD.50152
53	142961		SEAL.HYDRO.45076
54	142962		O RING.HYD.45077
56	142963		SHAFT.INPUT.50005
58	142964		BOLT.1/4-20.44876
59	142965		PIN.HYDRO.50002
62	142966		ARM.CONTROL.50254
63	142967		PUCK.DAMPER.50281
64	142920		SCREW.SET.50018.
65	142968		BOLT #8-32 X .875
68	142969		SPRING.HYD.50277
69	142970		SUB= 147681
83	142971		JACKSHAFT/PINION GEAR.70132
85	142972		JACKSHAFT.50086
88	142973		SCREW.CAP.50154.
89	142974		WASHER.HYD.50132
90	142975		BEARING.SLV.50118
91	142976		SEAL.WIPER.50941
92	142977		SPRING.2003014.
93	142978		WASHER.2003017
95	142979		SUB= 149703
113	142917		CAP.VENT.70109
114	142918		O-RING.ASM.70110
119	142980		SPACER.HYD.50278
121	142981		SUB= 147681

TIRES AND WHEELS



Ref #	Part Number	Qty	Description
1	59192		VALVE CAP
2	65139		VALVE STEM LT
3	106222X		SUB= 122073X
4	59904		TUBE.5.3/4.5/6
5	106732X417		"RIM,FRT T"
6	278H		FITTING LT
7	9040H		"FLANGE, BEARING"
8	106108X417		"RIM 8""
9	138468		TIRE.20X8-8
10	7152J		TUBE.18X9.5-8
11	104757X		HUB CAP

