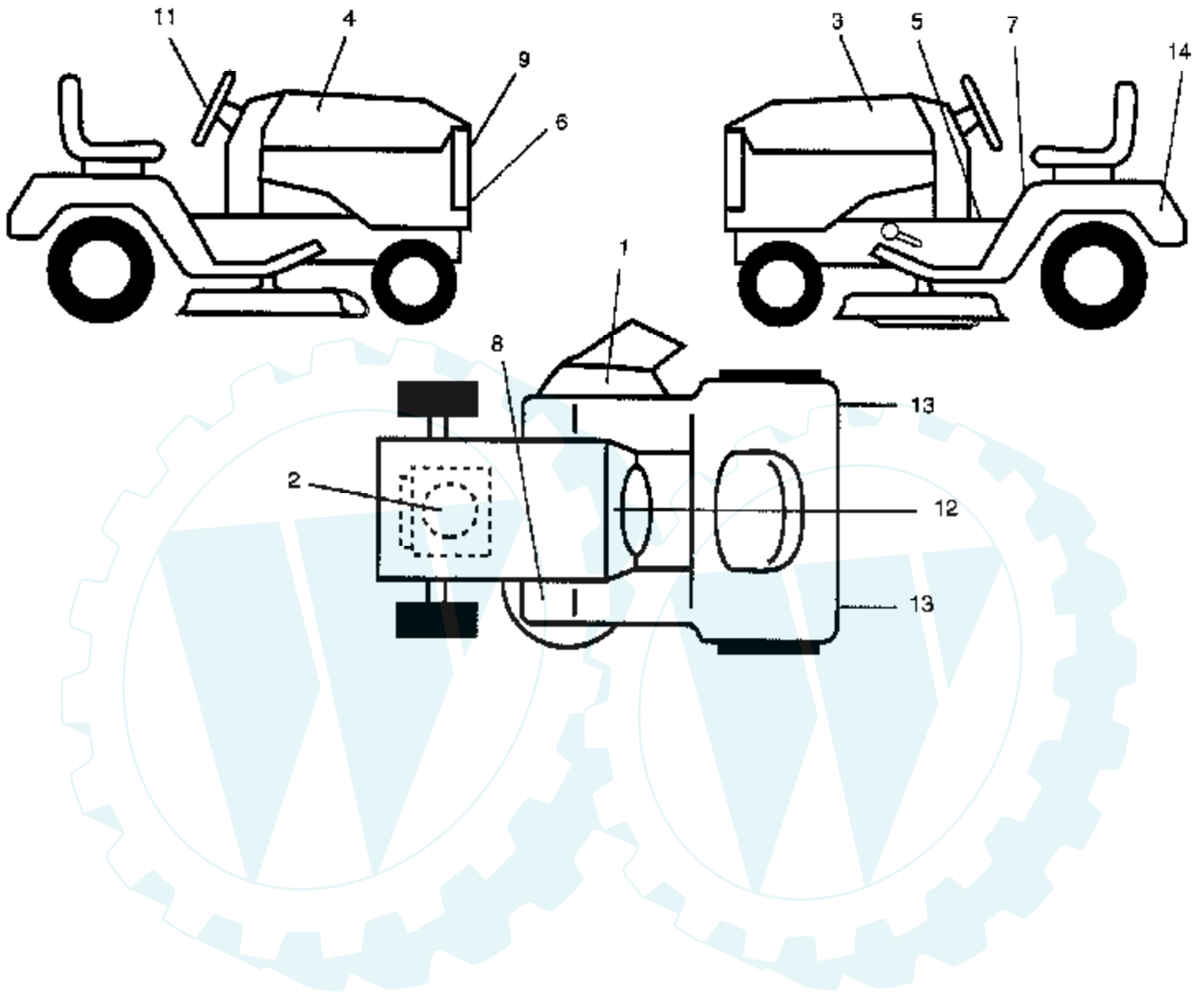


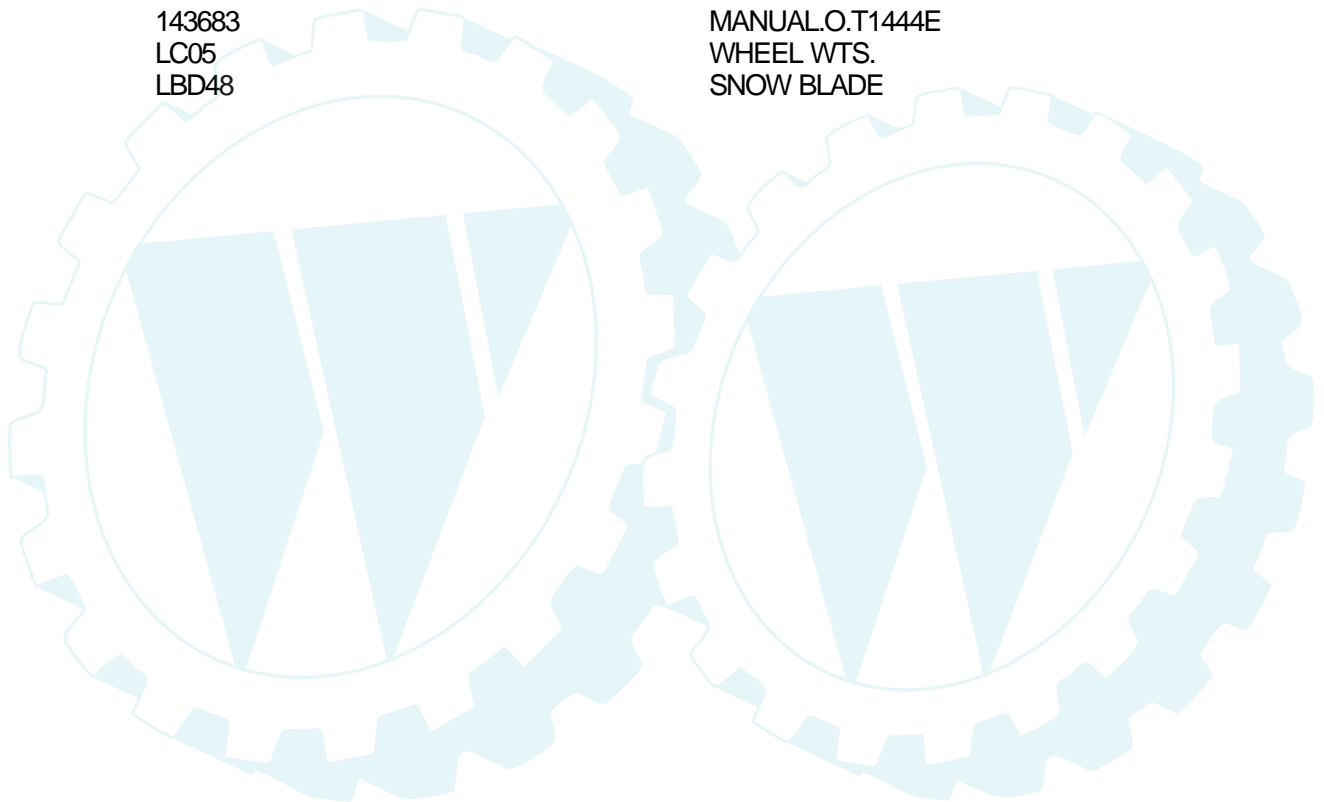
Ref #	Part Number	Qty	Description
1	140341		SUB= 145501
2	140356		SUB= 145009
3	17490612		SCREW
6	127543		SUB= 127543X011
7	17490612		SCREW
8	2751R		CLIP T
9	136696		SUB= 145203
10	8022J		PLUG-DASH T
11	136967		PANEL.DASH.LH
12	121794X		COVER ACCESS
13	136970		PANEL.DASH.RH
15	74180412		SCREW
16	73510400		NUT
17	123801X419		HOOD
19	110898X		LENS T
20	132257		SUB= 918132257
21	124201X		SCREW SPECIAL
22	108067X		PAL NUT LT
24	74780616		BOLT
25	19131312		WASHER
30	140001X419		FENDER.PNT.LT
31	139976		BRACKET SUPT FEND
32	17490612		SCREW
33	105465X419		SUB= 145244X419
34	105464X419		FOOTREST RH
35	72110606		BOLT
36	73800600		NUT
37	133671		FOOTREST PAD
38	139886		BRACKET ASM LH
39	139887		BRACKET ASM RH
40	72110608		BOLT D
41	74760616		BOLT
42	139915		BRACKET.ASM.SUPT.
43	19171416		WASHER
50	73800600		NUT
51	19091216		WASHER PM
52	121236X		SPACER
53	72140608		SUB= 72110608
55	74760532		BOLT
59	110350X419		"STRAP,GRILL"
60	140671		GRILLE ASM WELD
61	123674X419		ASSY RH PANEL
62	123765X419		SIDE PANEL LH
64	105518X		DASH-LOWER YT
65	140943X011		PLATE DASH SILKSC
69	140181		PLATE.SUPT.BATTER
76	137467		BRACKET.RH
77	137466		BRACKET.LH
78	110436X		SUB= 9151R
79	73800500		NUT
80	74180512		SCREW
81	73510500		NUT
82	19131614		WASHER
87	139977		SPACER FENDER LT
88	139978		PLATE EXTEN FEND

14 HP 44" TRACTOR - - MODEL NUMBER T1444E

DECALS

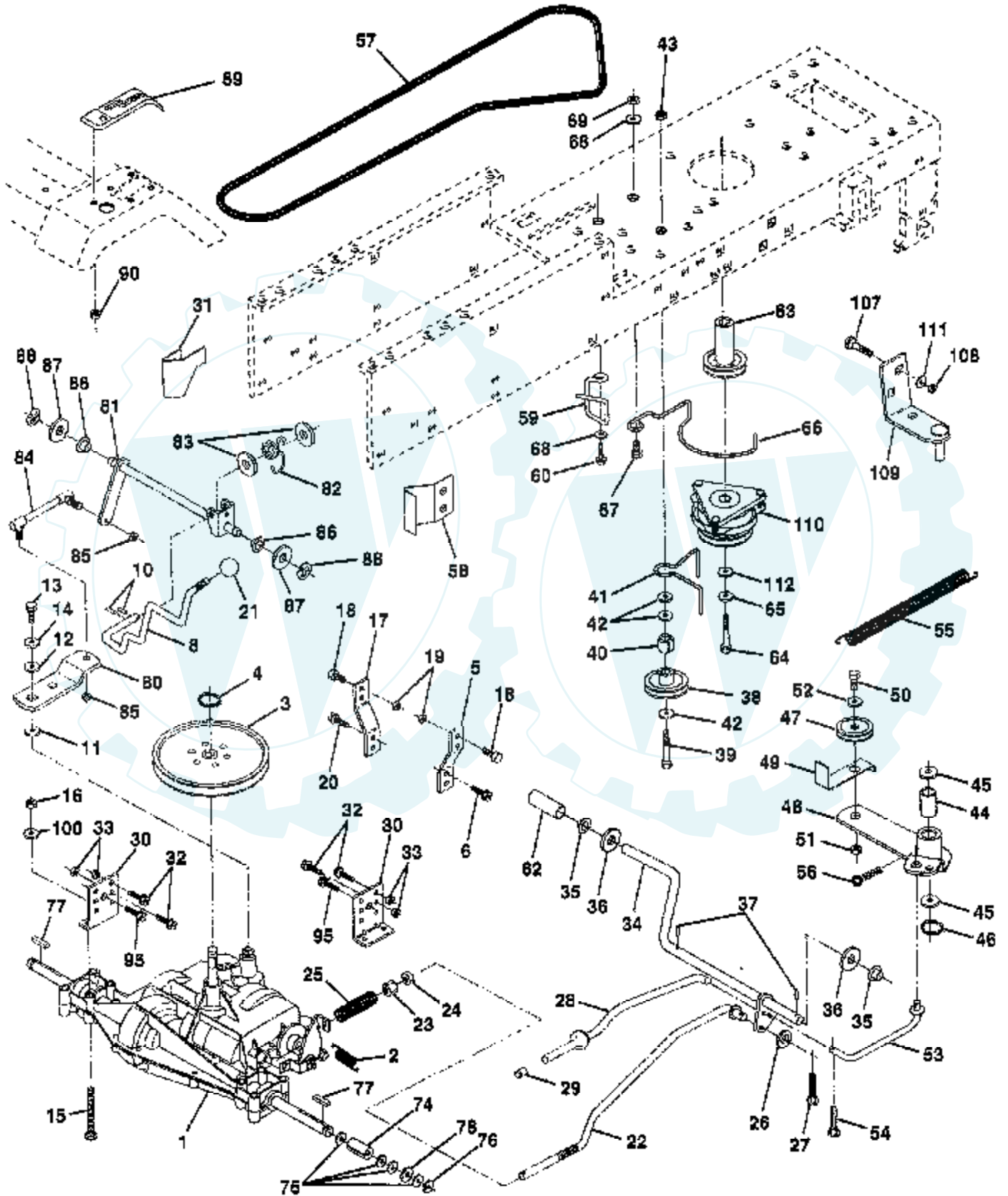


Ref #	Part Number	Qty	Description
1	139346		"DECAL.V.BELT.44""
2	141521		DECAL.ENG.272750
3	143731		DECAL.HD.LH.
4	143729		DECAL.HD.RH.
5	140837		DECAL BRAK PARK
6	126171X		"DECAL,GRILL"
7	133796		DECAL
8	4900J		DECAL T
9	143732		DECAL.GRIL.T1444E
11	143850		DECAL.STRG.WHEEL
12	138955		DECAL.DASH.INST.
13	106202X		REFLECTOR-TAIL YT
14	126628X		"DECAL,FENDER T"
	138311		DECAL HANDLE LIFT
	143683		MANUAL.O.T1444E
	LC05		WHEEL WTS.
	LBD48		SNOW BLADE



14 HP 44" TRACTOR - - MODEL NUMBER T1444E

DRIVE

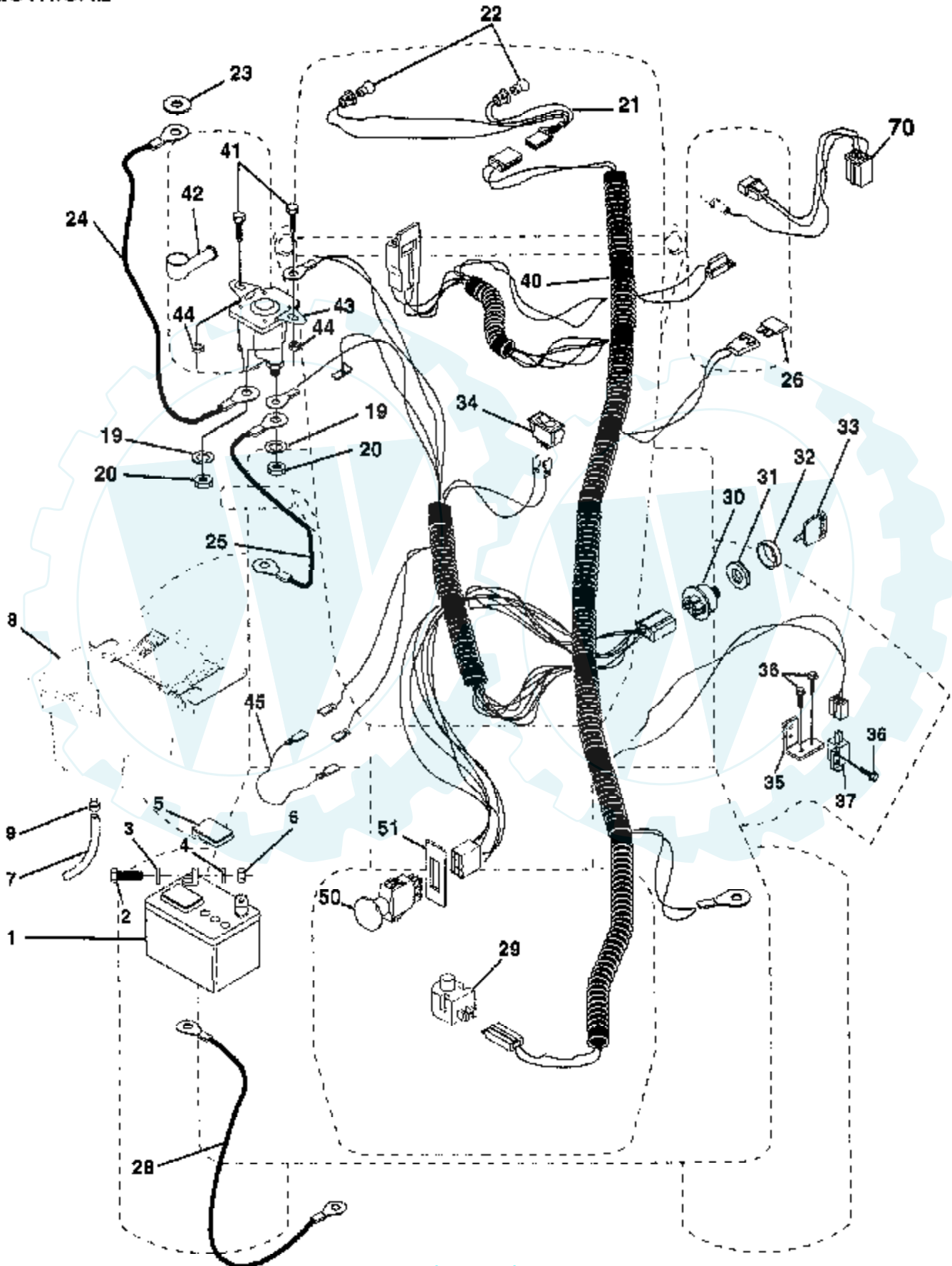


Ref #	Part Number	Qty	Description
1	142607		SUB= 145605
2	110422X		SUB= 146682
3	123666X		PULLEY TRANS
4	12000028		SUB= 2267J
5	121520X		STRAP TORQUE
6	17490512		SCREW
8	141003		ROD SHIFT FEND LT
10	76020416		PIN COTTER 1/8
11	105701X		WASH-SHFT PLT LT
12	19151216		WASHER
13	71040412		SUB= 74550412
14	10040400		LOCKWASHER
15	74780544		BOLT HEX
16	73680500		SUB= 73690500
17	121520X		STRAP TORQUE
18	74760616		BOLT
21	106279X		CONTROL KNOB LT
22	130804		BRAKE ROD
23	73800600		NUT
24	73350600		NUT
25	106888X		SPRING ROD LT
26	19131316		WASHER
27	76020412		COTTER PIN
28	133261		BRAKE PARK ROD
29	7733J		SUB= 71673
30	130807		TRANSAXLE MTG BKT
31	127275X		"KEEPER,BELT LH T"
32	74760512		BOLT
33	73800500		NUT
34	122424X		SUB= 149001
35	120183X		NYLON BEARING
36	19211616		WASHER LT
37	1572H		SUB= 2882J
38	123674X		PULLEY.IDLER.FLAT
39	74760644		BOLT
40	4470J		SPACER T
41	109070X		BELT KEEPER LT
42	19131312		WASHER
43	73800600		NUT
44	105706X		"LY, BEARING"
45	110812X		WASHER LT
46	12000039		KLIP RING
47	127783		SUB= 139245
48	123789X		ARM IDLER
49	123205X		RETAIN BELT
50	74760624		SUB= 74930624
51	73680600		SUB= 73690600
52	19131316		WASHER
53	105710X		"LINK, CLUTCH T"
54	76020412		COTTER PIN
55	105709X		"SPRING, RETURN LT"
56	76020412		COTTER PIN
57	130801		SUB= 138255
58	127274X		"KEEPER,BELT RH T"
59	140312		KEEPER BELT CNTSP
62	8883R		PEDAL COVER T
63	140189		PULLEY CLU FLEC
64	71170768		SUB= 150280

Ref #	Part Number	Qty	Description
65	10040700		LOCKWASHER
66	131218		KEEPER, BELT ENGINE
67	74760616		BOLT
68	19131312		WASHER
69	73680500		SUB= 73690500
70	105730X		"KEEPER,BLT ENG LT"
74	109502X		SPACER LT
75	121749X		WASHER
76	12000001		E-RING LT
77	123583X		SQUARE KEY
78	121748X		WASHER
80	131487		ARM SHIFT TRANS
81	136933		SHAFT ASM.SHIFT
82	123782X		"SPRING,TORSION"
83	19171216		WASHER
84	132183		TIE ROD
85	73530400		NUT 1/4-28
86	71208		BUSHING
87	19212016		WASHER D
88	12000008		KLIP RING
89	139964		SUB= 918139964
90	124346X		NUT
95	17490612		SCREW
100	19111216		WASHER M
107	72140506		BOLT
108	73680500		SUB= 73690500
109	137141		BRACKET.ASM.MTG
110	137140		SUB= 142600
111	19111012		WASHER T
112	126197X		WASHER

14 HP 44" TRACTOR - - MODEL NUMBER T1444E

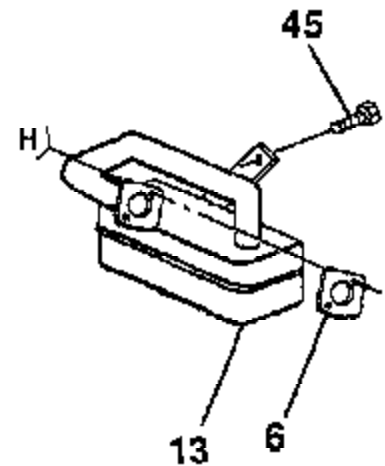
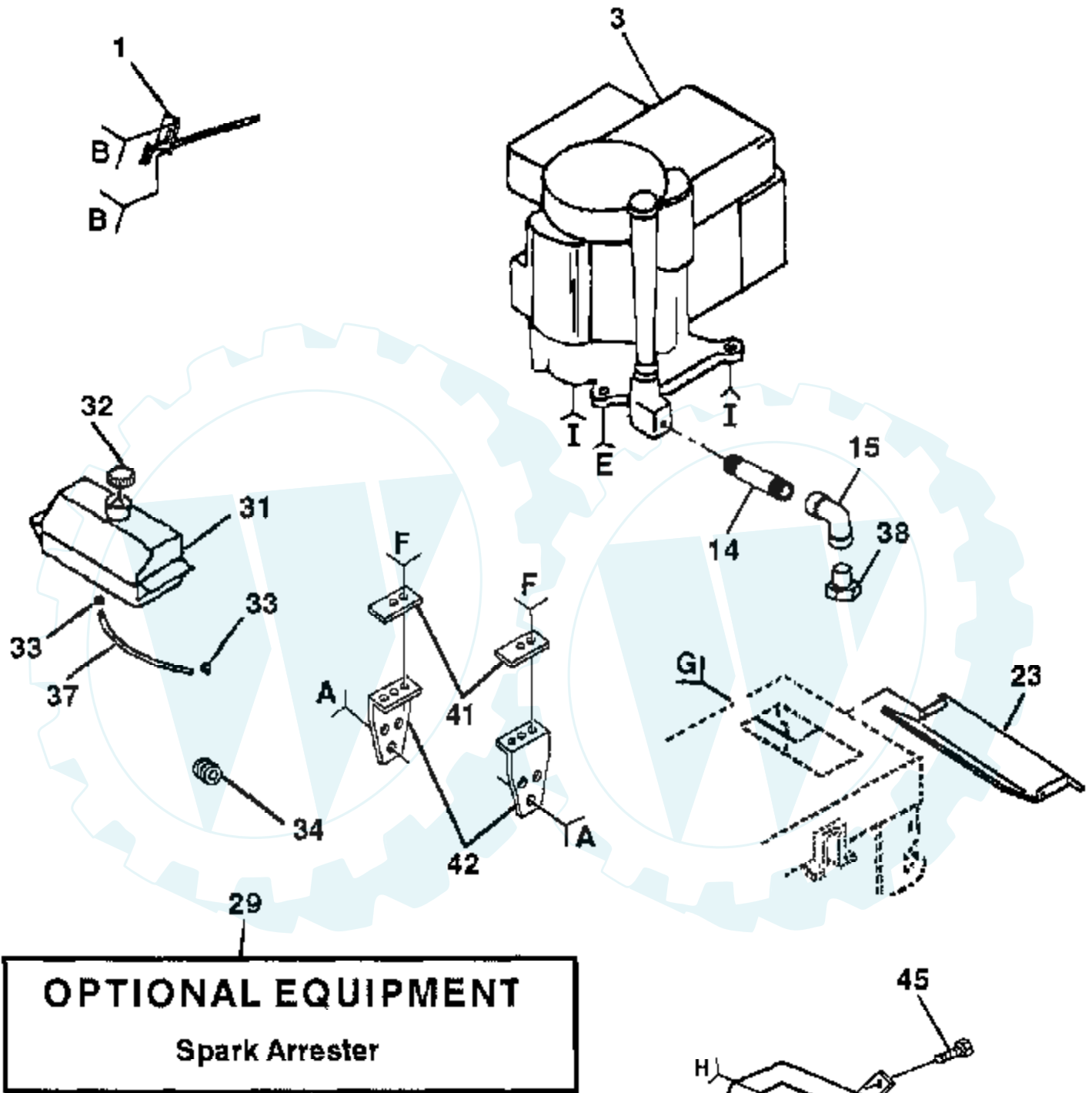
ELECTRICAL



Ref #	Part Number	Qty	Description
1	121265X		SUB= 123899X
2	74760412		BOLT LT
3	19091016		WASHER
4	10040400		LOCKWASHER
5	121264X		"CAP,BATTERY "
6	73220400		SUB= 50675
7	109238X		TUBE T
8	129965		SUB= 156417
9	109596X		HOSE CLAMP T
19	10090400		SUB= 10040400
20	73350400		NUT
21	136850		"HARNES, LIGHT SOC"
22	4152J		HEADLAMP BULB
23	11150400		LOCKWASHER
24	4207J		CABLE T
25	132202		SUB= 146147
26	108824X		FUSE HYT
28	4206J		CABLE-BATTERY T
29	121305X		SWITCH SEAT
30	140399		SUB= 163088
31	140400		SUB= 145774
32	141226		COVER KEY SWITCH
33	140401		KEY MLD GEN DELTA
34	110712X		SWITCH LT
35	108236X		BRACKET LT
36	17021008		SCREW
37	104445X		SWITCH-INTER. GT
40	140418		HARNES IGN DASH
41	71110408		BOLT HXHD FIN
42	131563		SUB= 154336
43	138406		SUB= 146154
44	73510400		NUT
45	140844		ADAPTER AMMETER
50	140404		SUB= 154959
51	140405		RING RETAIN PTO
70	143346		HARNES.ENG.B&S

14 HP 44" TRACTOR - - MODEL NUMBER T1444E

ENGINE

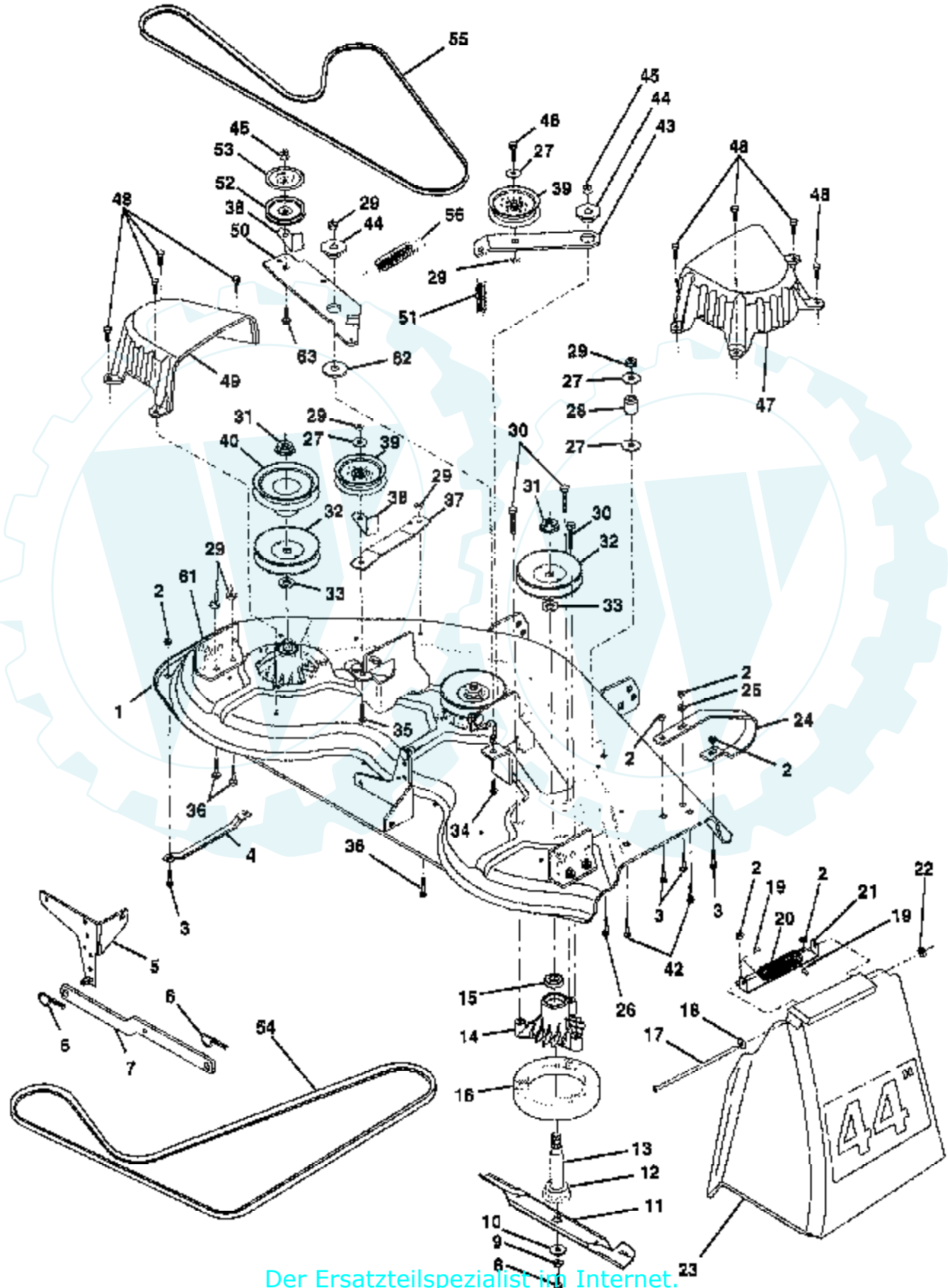


- | | | | | | | |
|----------|----------|----------|----------|----------|----------|----------|
| A | B | E | F | G | H | I |
| | | | | | | |
| 43 | 2 | 17 | 35 | 24 | 8 | 17 |
| | | | | | | |
| 44 | | 16 | | | 7 | |

Ref #	Part Number	Qty	Description
1	132749		THROTTLE CONTROL
2	17720410		SCREW LT
3			REFER TO IMAGE
6	125593X		SUB= 272293
7	10040500		LOCKWASHER
8	71070512		SCREW
13	137352		MUFFLER
14	13280324		PIPE NIPPLE
15	13200300		ELBOW
16	11050600		LOCKWASHER
17	17490620		SCREW
23	128953		HEAT SHIELD
24	17021008		SCREW
29	137180		SUB= 532137180
31	109202X		TANK.FUEL.LT.
32	140527		CAP ASM FUEL
33	123487X		HOSE CLAMP
34	110436X		SUB= 9151R
35	17490612		SCREW
37	137040		LINE FUEL
38			CHECK WITH SUPPLIER
41	128230		"CLAMP,FUEL TANK T"
42	128229		BRKT FUEL TANK T
43	74760616		BOLT
44	73800600		NUT
45	17490412		SCREW HEX CRT

14 HP 44" TRACTOR - - MODEL NUMBER T1444E

44" MOWER DECK



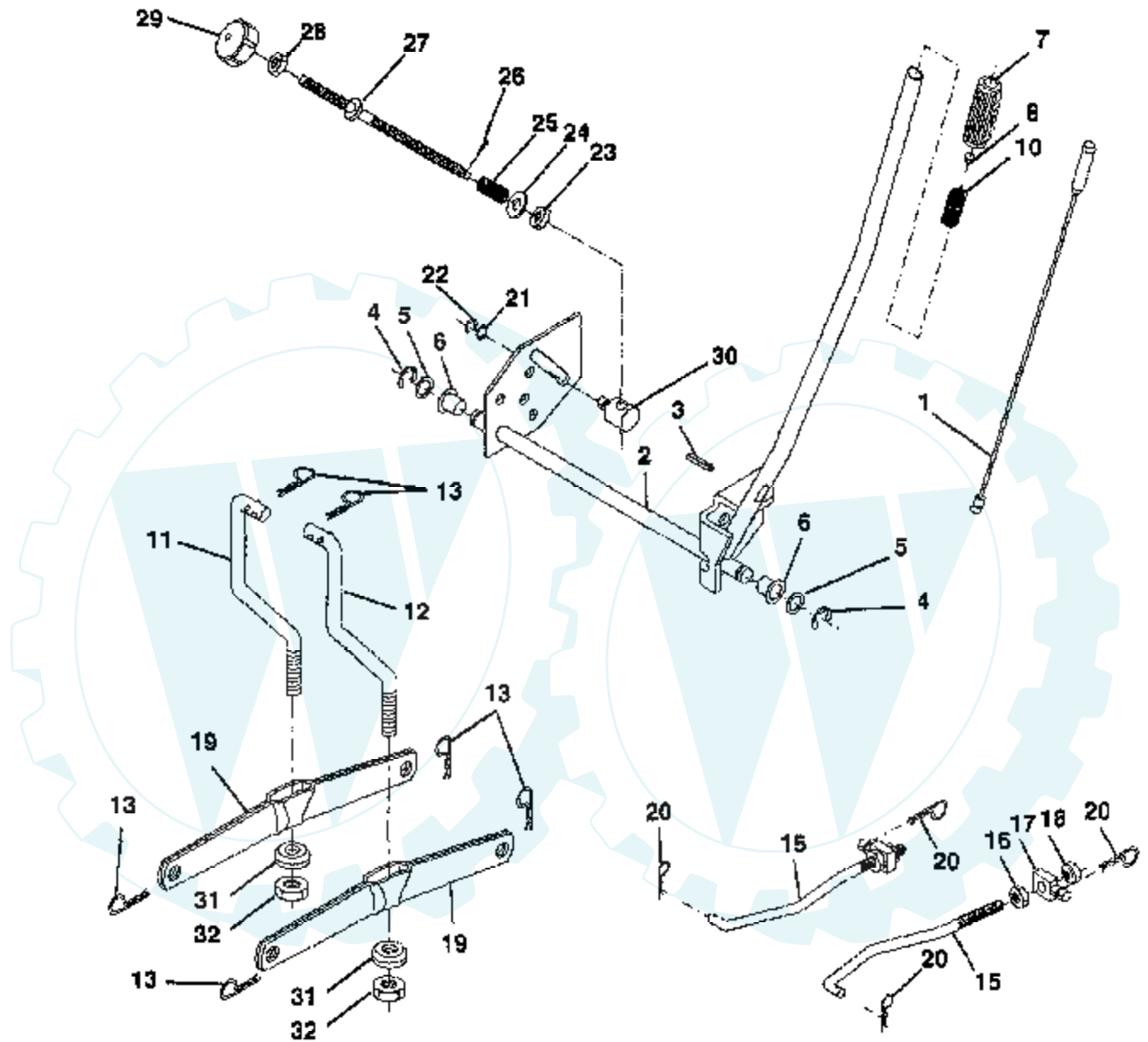
Ref #	Part Number	Qty	Description
1	140579		"DECK ASM WELD44""
2	73800500		NUT
3	72110506		SUB= 72270506
4	7631J		RUNNER-LH M
5	138457		BRKT.ASM.SW.44/50
6	4939M		SUB= 85902
7	130832		SUB= 130833
8	850857		BLADE BOLT
9	10030600		SUB= 10040600
10	140296		WASHER.HARD.BLADE
11	130652		"BLADE.44"" HIPERF"
12	129895		BEARING.BALL
13	137553		SHAFT.ASM.W/BRNG
14	137152		HOUSING.MAND.44.V
15	110485X		BEARING
16	136929		SUB= 140329
17	106735X		ROD-HINGE T
18	19111016		WASHER
19	105304X		CAP-SLEEVE LT
20	123713X		SPRING TORSION
21	137607		BRKT DEFLECTOR
22	110452X		NUT PUSH M
23	109785X		DEFLECTOR SHIELD
24	136321		RUNNER.RH
25	19111216		WASHER M
26	72110614		BOLT
27	19131316		WASHER
28	132823		SUB= 532132823
29	73800600		NUT
30	138776		SUB= 157722
31	137266		SUB= 139729
32	129861		SUB= 153535
33	129963		WASHER
34	72140610		BOLT.3/8-14X1.25
35	72110616		BOLT
36	72110608		BOLT D
37	137166		STIFFENER.ARM.IDL
38	137554		SUB= 918137554
39	131494		FLAT IDLER PULLEY
40	136572		"PULLEY.DRIVEN.44""
42	72140506		BOLT
43	136460		"ARM.IDLER.SEC.44""
44	122052X		SPACER RETAINER
45	73800600		NUT
46	74760628		BOLT
47	137200		"COVER.MAND.RH.44""
48	137729		SCREW.1/4-20X5/8
49	136574		COVER.MANDREL.LH
50	137272		ARM.IDLER.PRIMARY
51	137273		"SPRING.SEC.44""VEN"
52	139245		PULLEY.IDLER.VGRO
53	137789		SHIELD.IDLER.44.V
54	131264		V-BELT.PRIM.78.5.
55	131290		BELT-V.88.12.MW
56	138687		SPRING.EXT.DECK.
61	136573		BRACKET.GUAGE.WHL
62	133943		HARDENED WASHER
63	72110612		BOLT.3/8-16X1.50

Ref #	Part Number	Qty	Description
	143651		MANDREL SERV ASM
	144075		DECK.SERV.44.ELEC



14 HP 44" TRACTOR - - MODEL NUMBER T1444E

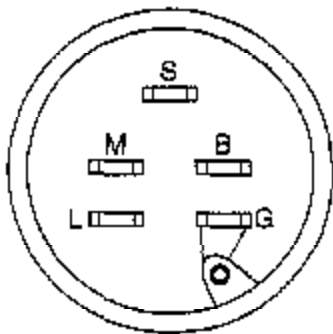
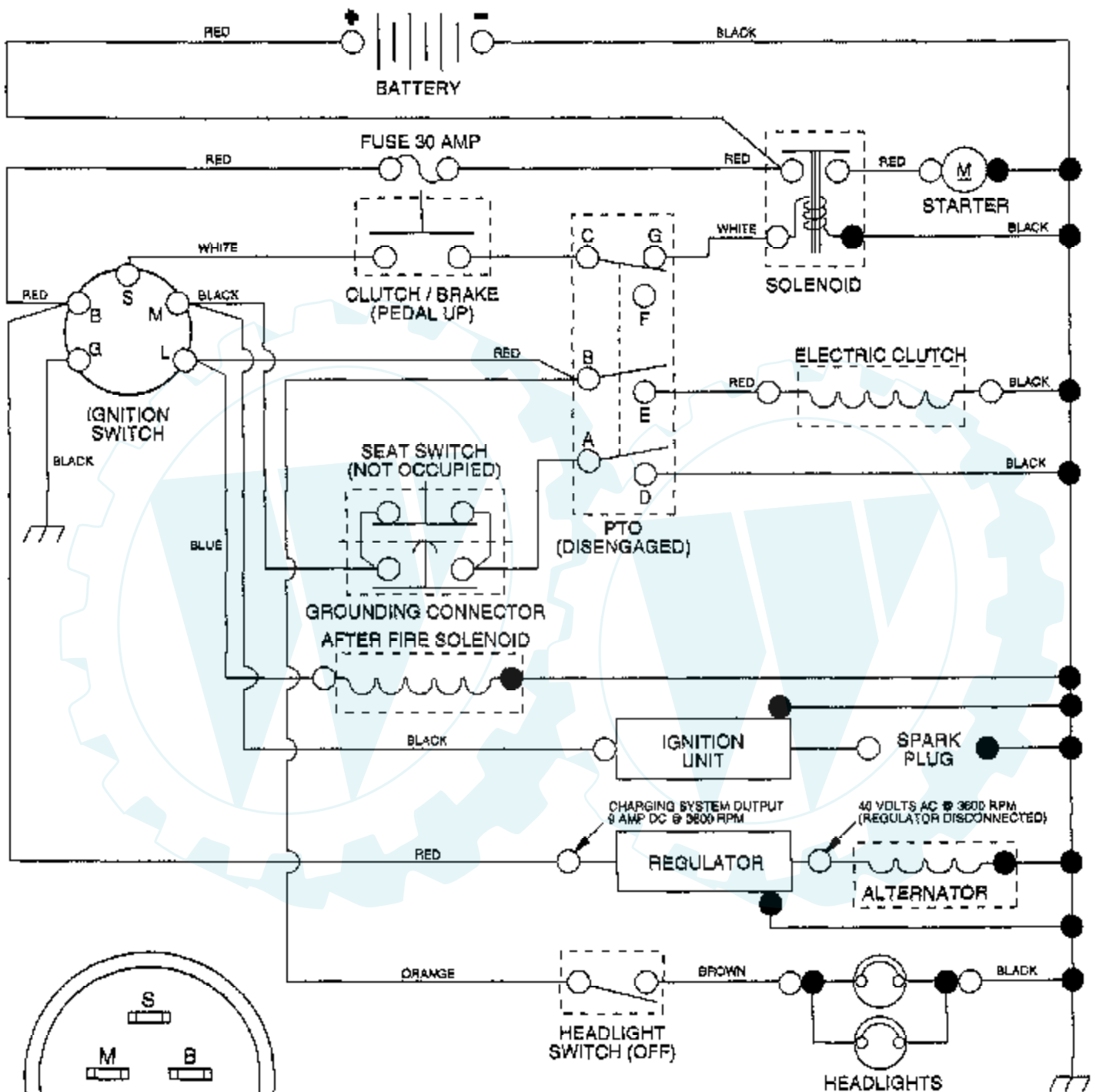
MOWER LIFT



Ref #	Part Number	Qty	Description
1	136971		WIRE.ASM.INNER
2	136968		SHAFT.ASM.LIFT.RH
3	138284		PIN GROOVE
4	12000022		E-RING
5	19211621		WASHER
6	120183X		NYLON BEARING
7	109413X		GRIP
8	124526X		SUB= 125925X
10	122512X		SUB= 532122512
11	139865		SUB= 918139865
12	139866		SUB= 151140
13	4939M		SUB= 85902
15	127218		LINK.FRONT
16	73350800		NUT
17	130171		TRUNION
18	73800800		NUT.LK.W/WSH.1/2.
19	139868		ARM SUSP REAR
20	3146R		RETAINER.SPRING
21	19151216		WASHER
22	12000037		KLIP RING
23	110807X		NUT T
24	19131016		WASHER
25	2876H		SPRING T
26	76020308		SUB= 3145
27	110729X		ROD LIFT LT
28	73350600		NUT
29	138057		KNOB INF 3/8-16
30	110810X		TRUNION LT
31	140302		BEARING PVT LH
32	73810600		NUT.LOCK.3/8-24

14 HP 44" TRACTOR - - MODEL NUMBER T1444E

SCHEMATIC



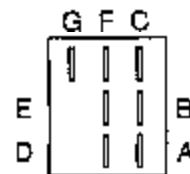
IGNITION SWITCH

POSITION	CIRCUIT
OFF	M + G
ON	B + L
START	B + S + L

● NON-REMOVABLE CONNECTIONS
○ REMOVABLE CONNECTIONS

WIRING INSULATED CLIPS

NOTE: IF WIRING INSULATED CLIPS WERE REMOVED FOR SERVICING OF UNIT, THEY SHOULD BE REPLACED TO PROPERLY SECURE YOUR WIRING.



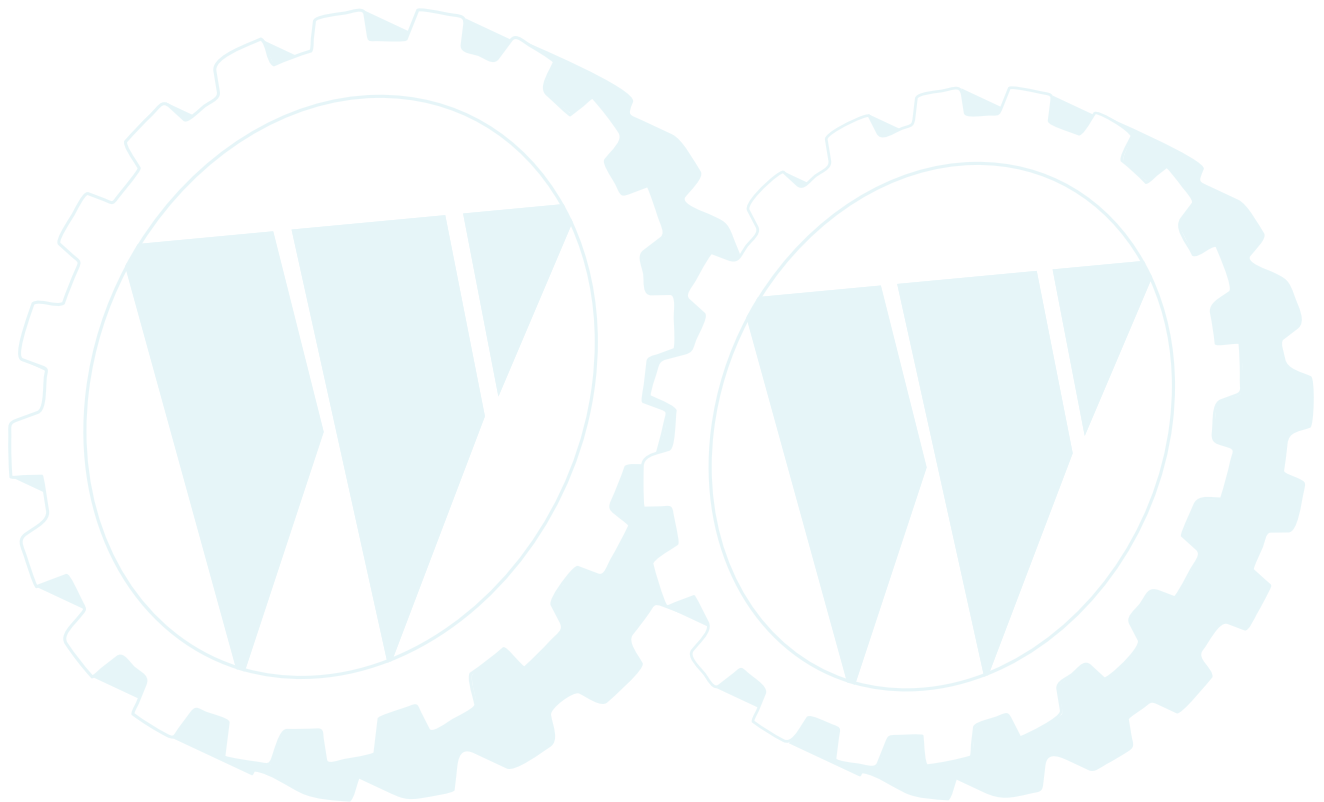
PTO SWITCH

POSITION	CIRCUIT
OFF	C + G
ON	C + F, B + E, A + D

Ref # Part Number

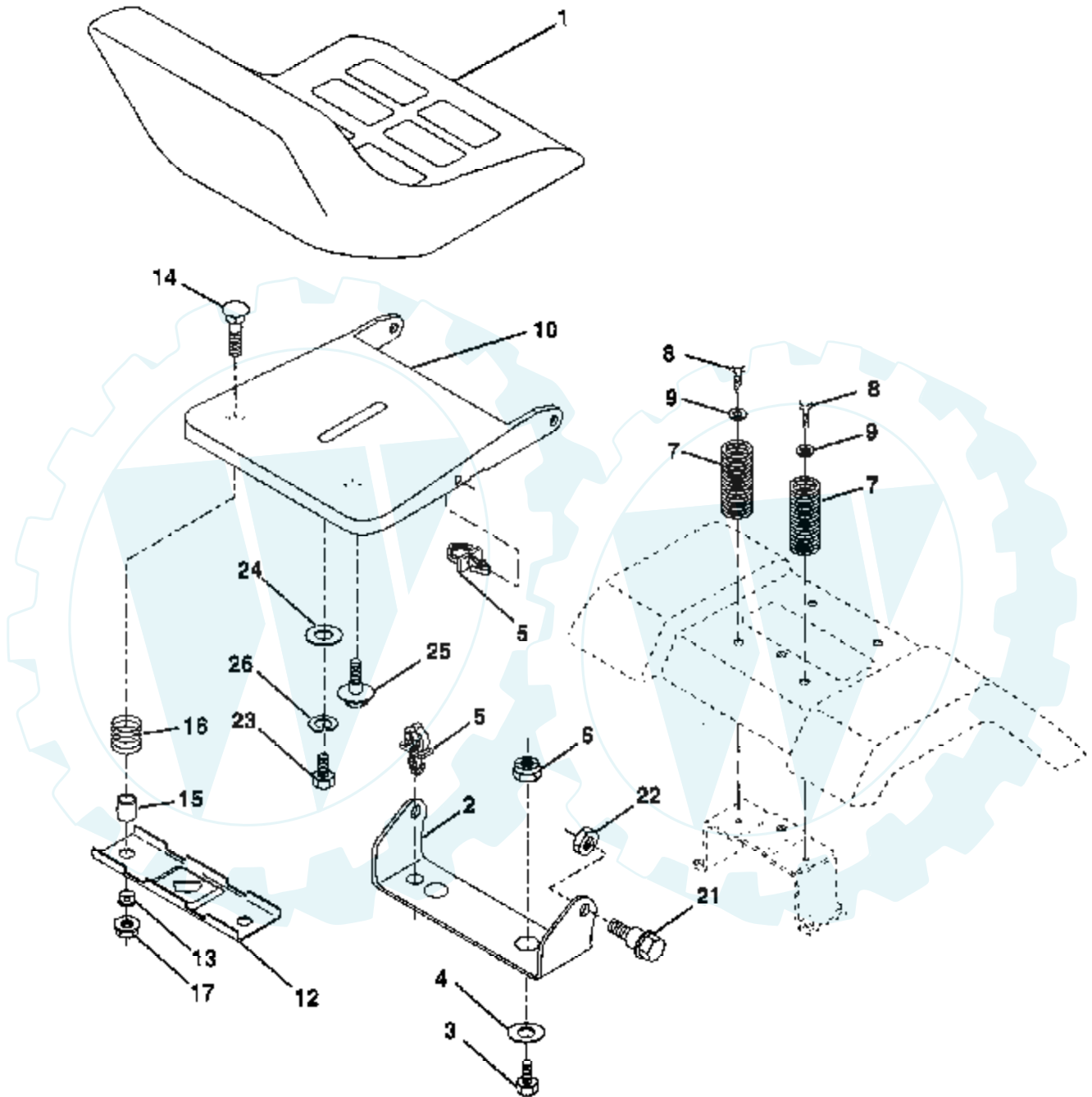
Qty Description

REFER TO IMAGE

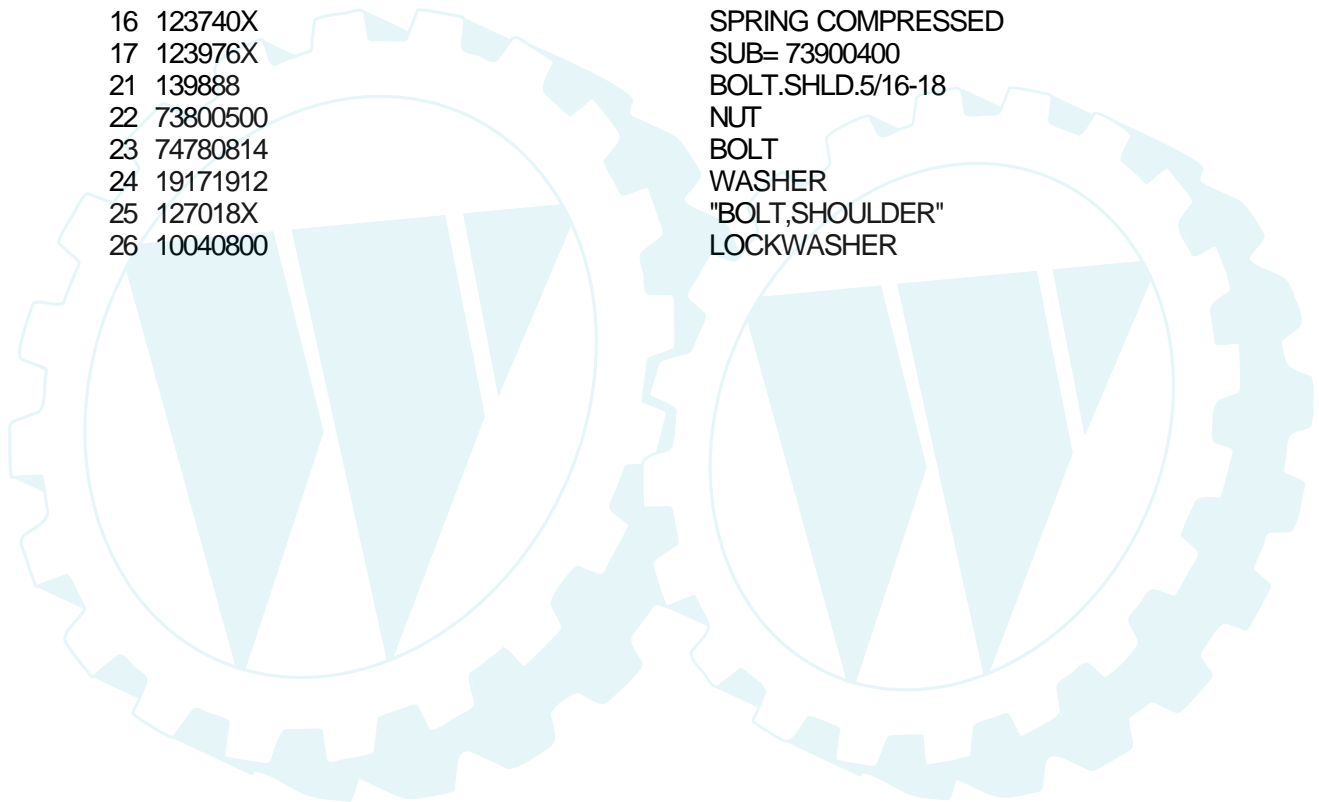


14 HP 44" TRACTOR - - MODEL NUMBER T1444E

SEAT ASSEMBLY

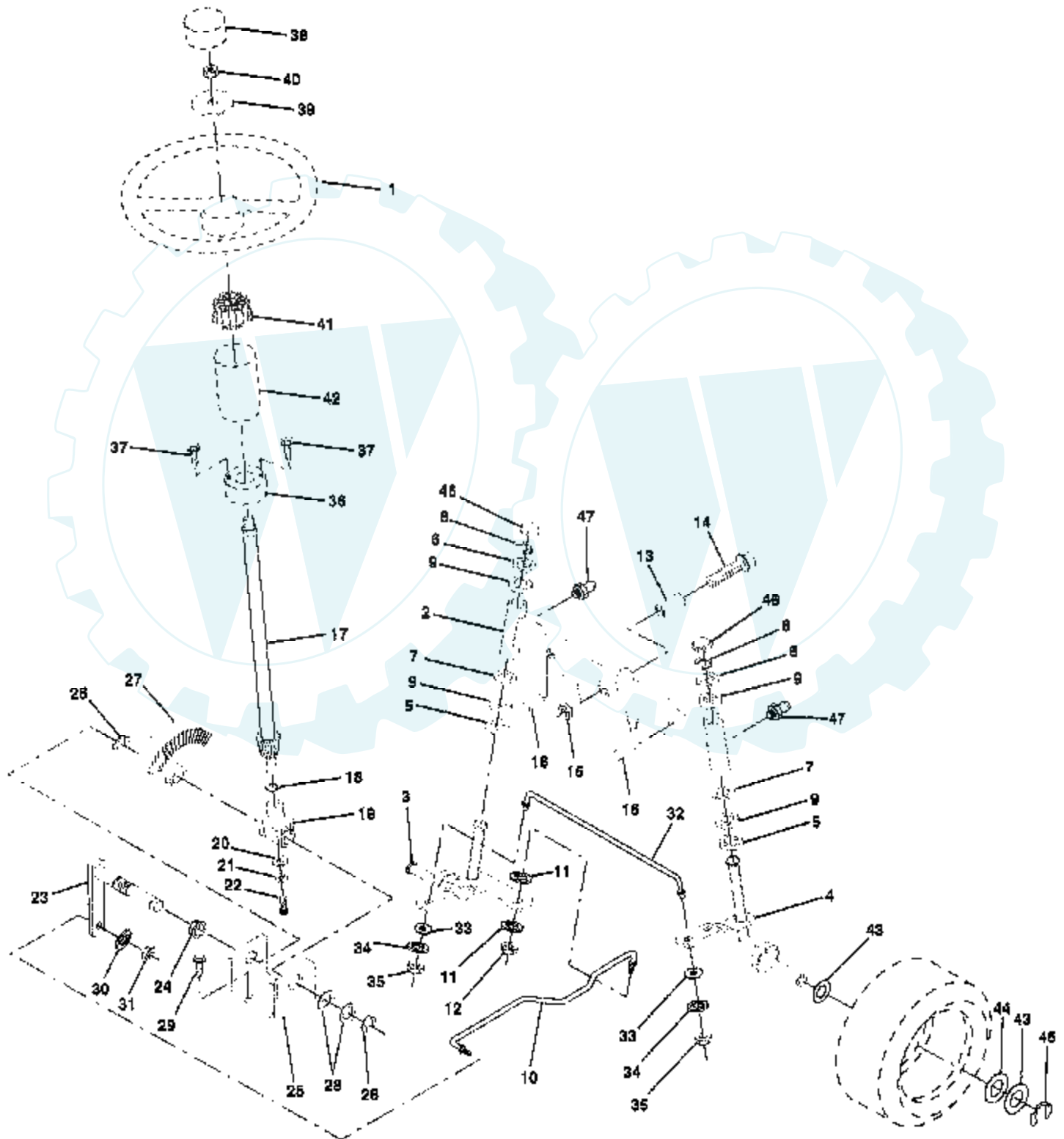


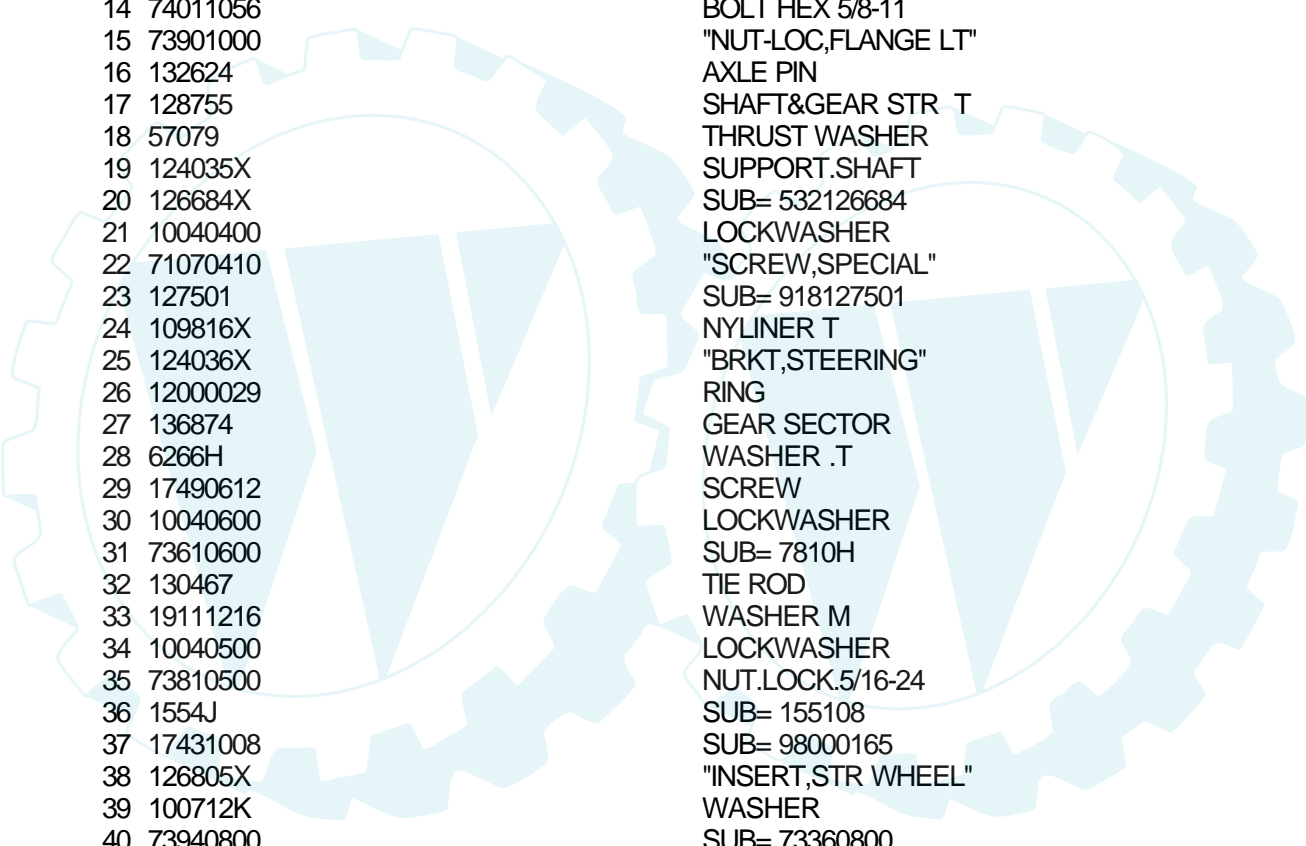
Ref #	Part Number	Qty	Description
1	127433X		SUB= 140121
2	140551		BRACKET PVT SEAT
3	74760616		BOLT
4	19131610		WASHER PM
5	140407		CLIP PUSH - IN
6	73800600		NUT
7	124181X		SPRING COMPRESSIO
8	17490616		SCREW GTV
9	19131614		WASHER
10	140552		SUB= 155925
12	121246X		BRKT SWITCH
13	121248X		BUSHING
14	72050411		SUB= 872050411
15	121249X		SPACER SPLIT
16	123740X		SPRING COMPRESSED
17	123976X		SUB= 73900400
21	139888		BOLT.SHLD.5/16-18
22	73800500		NUT
23	74780814		BOLT
24	19171912		WASHER
25	127018X		"BOLT,SHOULDER"
26	10040800		LOCKWASHER



14 HP 44" TRACTOR - - MODEL NUMBER T1444E

STEERING ASSEMBLY

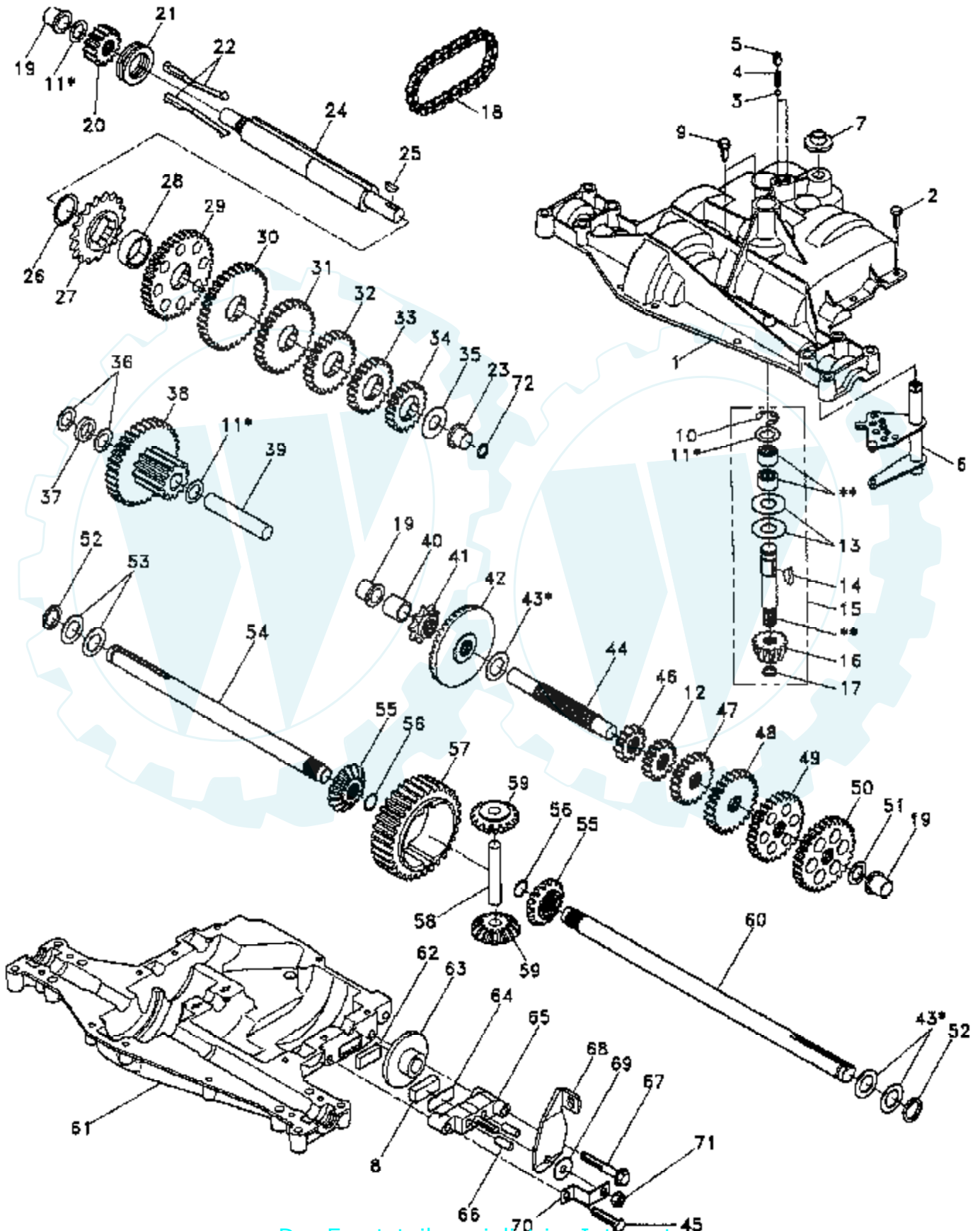




Ref #	Part Number	Qty	Description
1	121472X		SUB= 150546
2	142033		AXLE ASM FRONT
3	135227		SPINDLE LH
4	135228		SPINDLE RH
5	6266H		WASHER .T
6	121748X		WASHER
7	19272016		WASHER
8	12000029		RING
9	3366R		COL. SRTG. BEAR.
10	130468		SUB= 532130468
11	10040600		LOCKWASHER
12	73610600		SUB= 7810H
13	110438X		BEARING
14	74011056		BOLT HEX 5/8-11
15	73901000		"NUT-LOC,FLANGE LT"
16	132624		AXLE PIN
17	128755		SHAFT&GEAR STR T
18	57079		THRUST WASHER
19	124035X		SUPPORT.SHAFT
20	126684X		SUB= 532126684
21	10040400		LOCKWASHER
22	71070410		"SCREW,SPECIAL"
23	127501		SUB= 918127501
24	109816X		NYLINER T
25	124036X		"BRKT,STEERING"
26	12000029		RING
27	136874		GEAR SECTOR
28	6266H		WASHER .T
29	17490612		SCREW
30	10040600		LOCKWASHER
31	73610600		SUB= 7810H
32	130467		TIE ROD
33	19111216		WASHER M
34	10040500		LOCKWASHER
35	73810500		NUT.LOCK.5/16-24
36	1554J		SUB= 155108
37	17431008		SUB= 98000165
38	126805X		"INSERT,STR WHEEL"
39	100712K		WASHER
40	73940800		SUB= 73360800
41	100711L		ADAPTER LT
42	110709X		COLUMN LT
43	121749X		WASHER
44	121748X		WASHER
45	12000029		RING
46	121232X		CAP
47	6855M		ZERK M

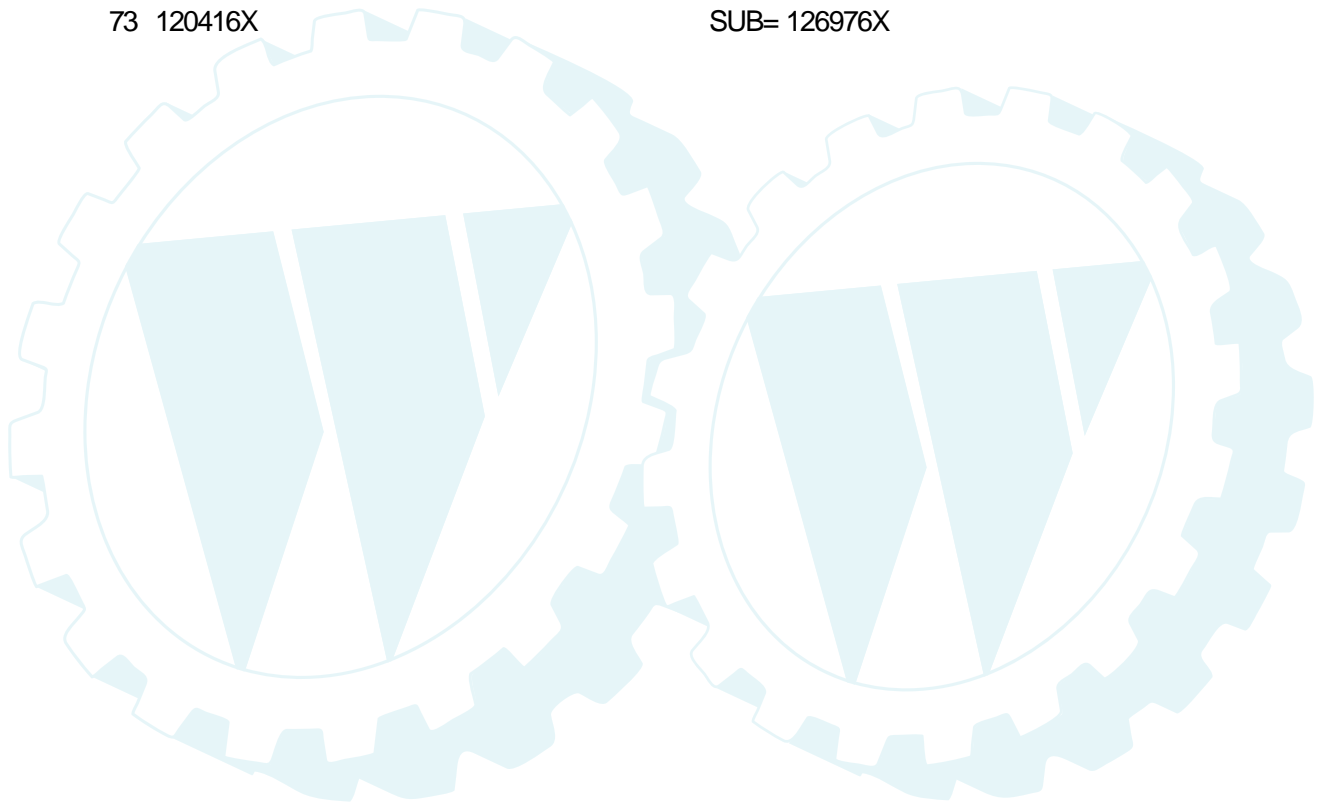
14 HP 44" TRACTOR - - MODEL NUMBER T1444E

DANA TRANSAXLE - MODEL NUMBER 4360-81

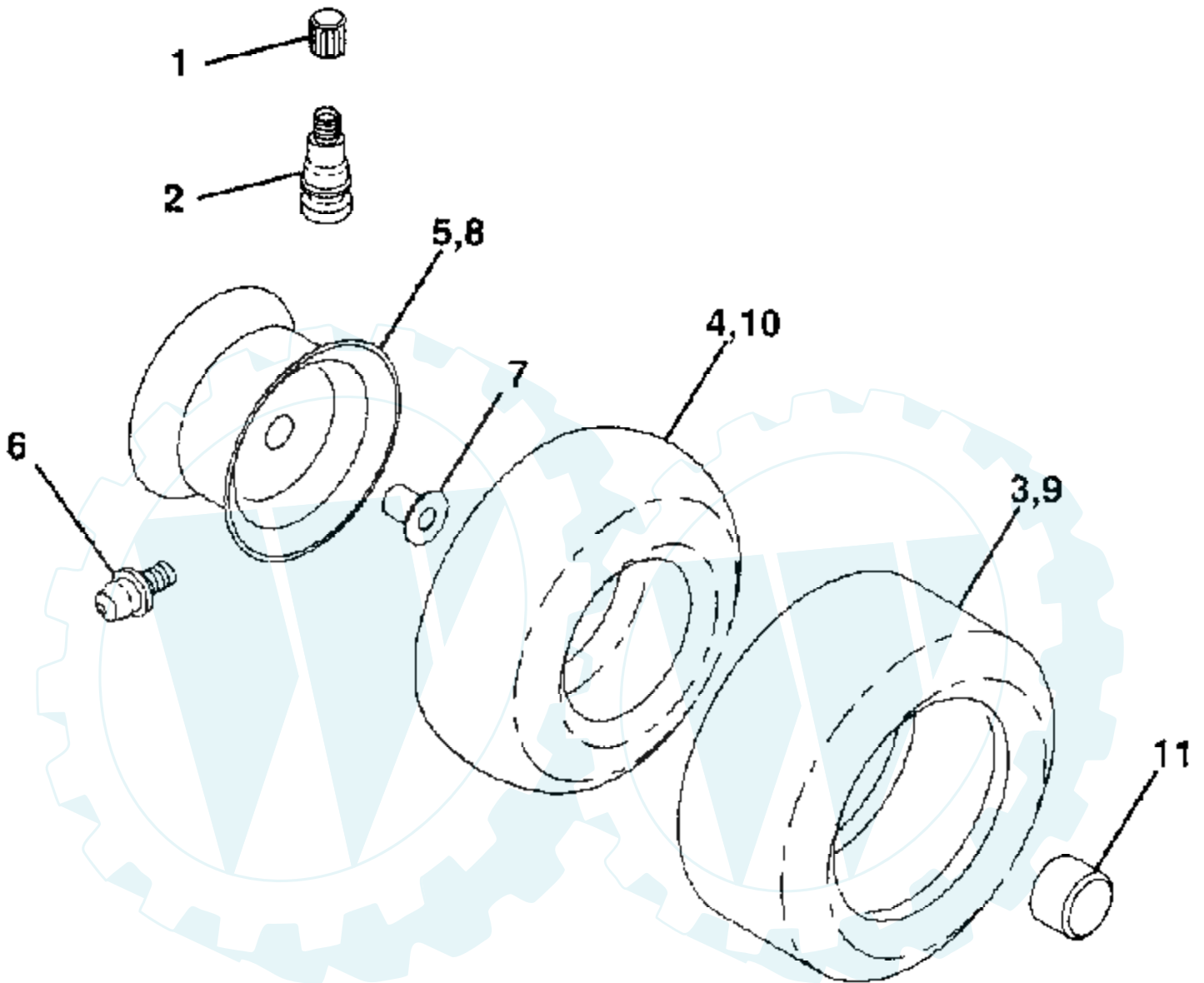


Ref #	Part Number	Qty	Description
1	142671		HOUSING UPPER TRN
2	2274J		SUB= 74760412
3	134400		SUB= 68003
4	105904X		"SPRING, DETENT LT"
5	105905X		"SCREW, SET LT"
6	134788		SHIFTER.ASM.KIT.
7	134399		SHIFTER BOOT
8	120951X		PUCK T
9	134791		SCREW TAP W/SEAL
10	142672		SUB= 2225J
11	134793		ASM KIT SHIM 4689
12	142679		GEAR SPUR 15 TTH
13	120415X		WASHER T
14	142674		KEY WOODRUFF-DANA
15	106846X		SUB= 167148
16	106095X		SUB= 95-8060-6F
17	105909X		"RING,RETAINING LT"
18	105910X		"CHAIN,24 PTCH LT"
19	105911X		BEARING.FLNG.5510
20	142675		GEAR SPUR 14 TTH
21	138246		COLLAR CLUTCH
22	138237		KIT.ASM.CLUTCH KY
23	143051		SUB= 148268
24	142676		SHAFT INTERM DANA
25	2244J		WOODRUFF KEY
26	105916X		"RING,RETAINING LT"
27	120470X		SPROCKET 18T T
28	110070X		SPACER YT
29	142677		GEAR SPUR 37 TTH
30	142681		GEAR SPUR 35 TTH
31	120405X		SUB= 124644X
32	108980X		GEAR 25T LT
33	120406X		GEAR SPUR 22 TT
34	134796		SPUR GEAR 19T
35	105925X		"WASHER, PLAIN LT"
36	2232J		WASHER 025
37	108978X		SPACER
38	110079X		ASSM GEAR COMB
39	124639X		SHAFT IDLER
40	120472X		SPACER T
41	105928X		SPROCKET 9T LT
42	106605X		SUB= 167148
43	134394		ASM KIT SHIM
44	120473X		SHAFT T
45	106596X		"SCREW, TAPPING LT"
46	142678		GEAR SPUR 12 TTH
47	120407X		SUB= 124641X
48	106589X		"GEAR, SPUR 25T LT"
49	120408X		GEAR 28T T
50	105937X		"GEAR, SPUR 31T LT"
51	2226J		WASHER 060
52	134401		NEOPRENE WASHER
53	2264J		WASHER 031
54	120474X		SUB= 154658
55	120409X		GEAR LT
56	105941X		"RING,RETAINING LT"
57	110071X		SUB= 120478X
58	120952X		SHAFT T

Ref #	Part Number	Qty	Description
59	106592X		"GEAR,MITER 15T YT"
60	120475X		SUB= 154659
61	142680		HOUSING LOWER TNS
62	120961X		PUCK T
63	7294J		BRAKE DISC. T
64	108989X		SPACER LT
65	120953X		SUB= 918120953X
66	120954X		PIN T
67	134799		TAP SCREW
68	138244		SUB= 108992X
69	108996X		WASHER LT
70	120956X		NLA
71	73810500		NUT.LOCK.5/16-24
72	143045		SEAL OIL DANA5416
73	120416X		SUB= 126976X



WHEELS & TIRES



Ref #	Part Number	Qty	Description
1	59192		VALVE CAP
2	65139		VALVE STEM LT
3	106222X		SUB= 122073X
4	59904		TUBE.5.3/4.5/6
5	106732X427		"RIM ASM 6" FRT"
6	278H		FITTING LT
7	9040H		"FLANGE, BEARING"
8	106108X427		"RIM AS 8" REAR"
9	122082X		SUB= 918122082X
10	7154J		TUBE.23X8/10-12
11	104757X		HUB CAP

