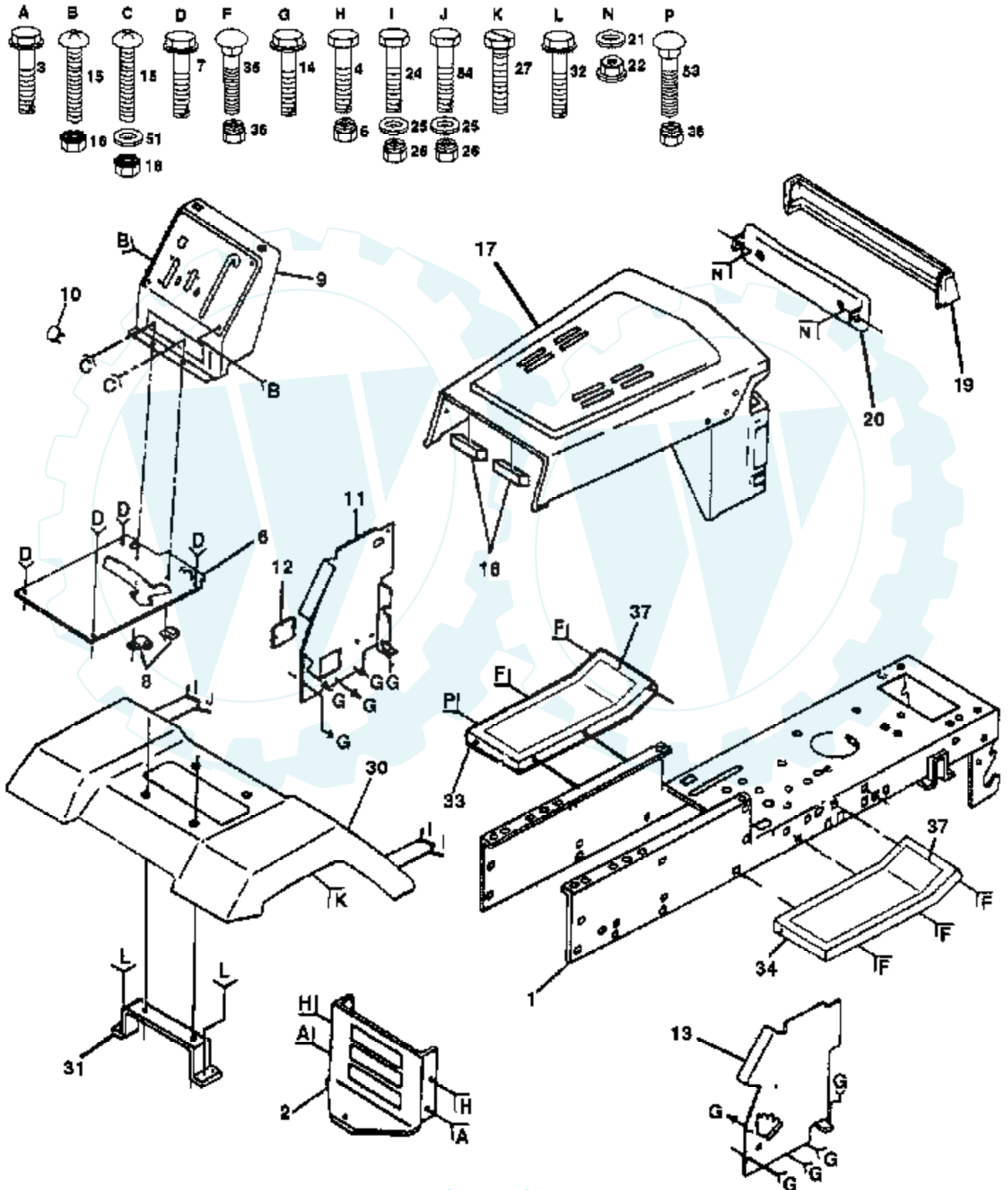


14 HP 44" TRACTOR -- MODEL NUMBER T1444D

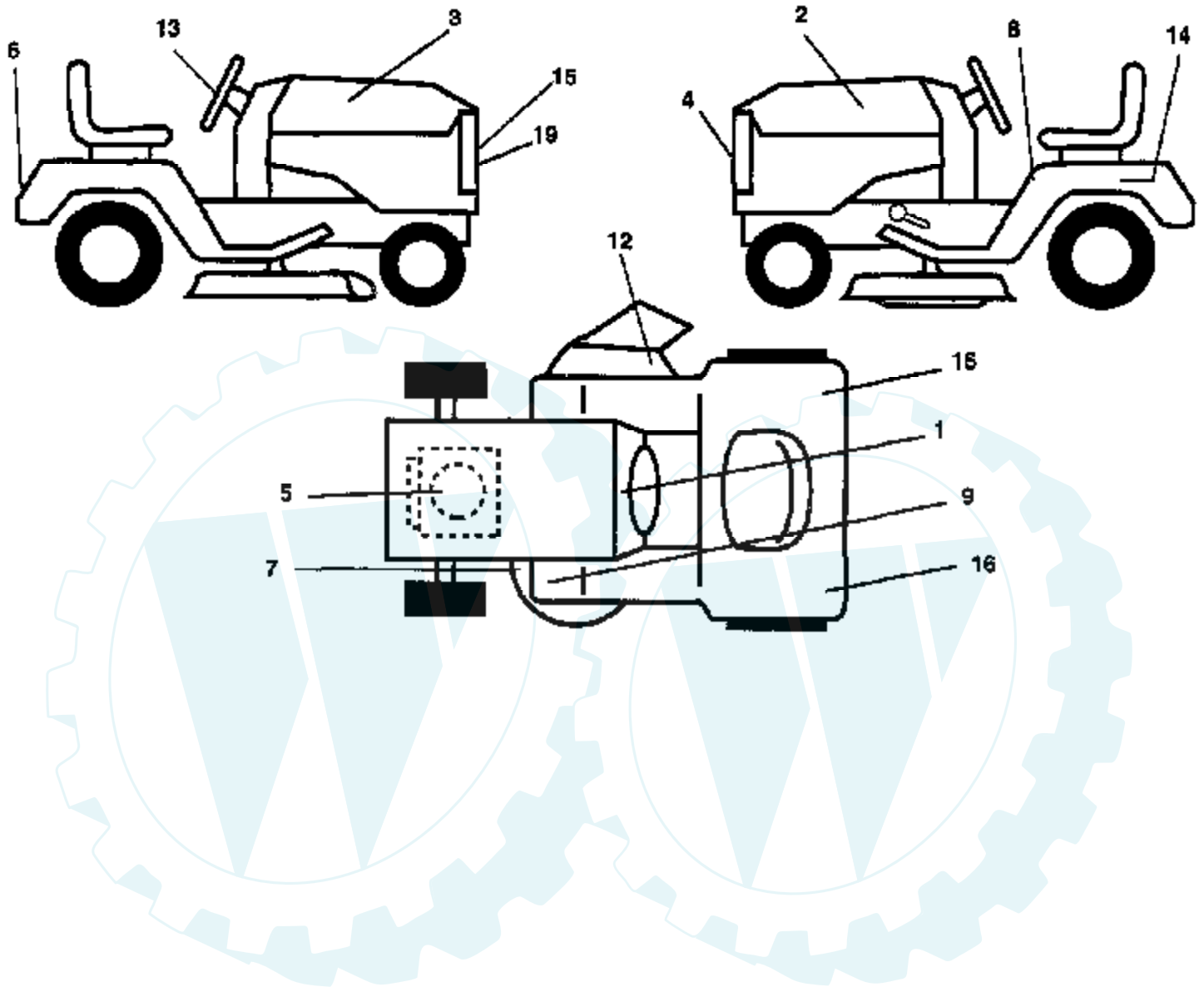
CHASSIS AND ENCLOSURES



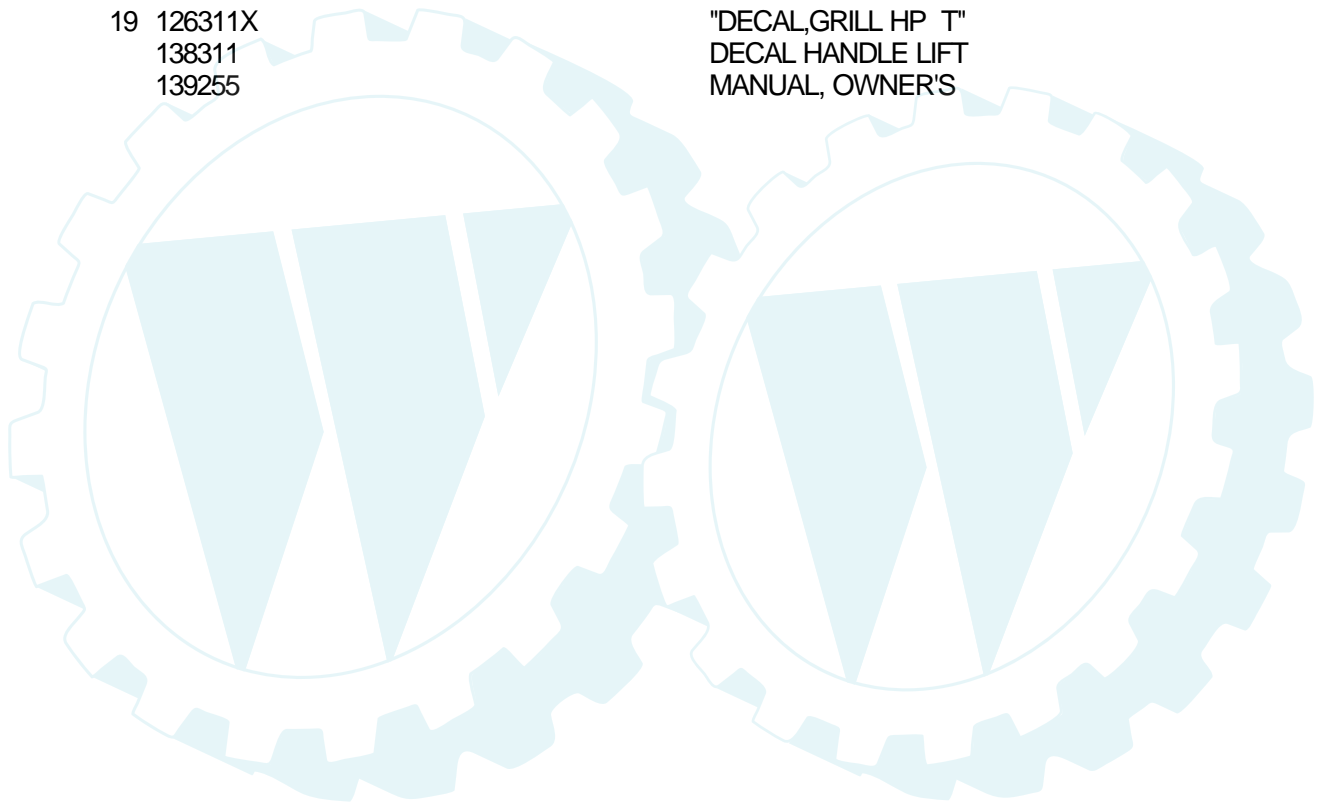
Ref #	Part Number	Qty	Description
1	127166X		CHASSIS
2	137275		SUB= 145009
3	17490612		SCREW
6	124464X017		SADDLE
7	17490608		SCREW LT
8	2751R		CLIP T
9	137412X012		DASH.SLKSCR.1PC
10	5479J		PLUG BUTTON T
11	122795X		PANEL DASH LH
12	121794X		COVER ACCESS
13	126276X		SUB= 155936
14	17490608		SCREW LT
15	74760612		SUB= 74780612
16	73510600		NUT
17	133956X419		HOOD/GRILL ASM
18	126938X		SUB= 532126938
19	133805		SUB= 133954
20	132257		SUB= 918132257
21	19091216		WASHER PM
22	108067X		PAL NUT LT
24	74760612		SUB= 74780612
25	19131312		WASHER
26	73680600		SUB= 73690600
27	17490608		SCREW LT
30	109872X419		FENDER
31	136619		BRKT FENDER
32	17490612		SCREW
33	105465X419		SUB= 145244X419
34	105464X419		FOOTREST RH
35	72110606		BOLT
36	73680600		SUB= 73690600
37	133671		FOOTREST PAD
51	19131216		WASHER
53	72140608		SUB= 72110608
54	74760614		SUB= 74760616

14 HP 44" TRACTOR - - MODEL NUMBER T1444D

DECALS

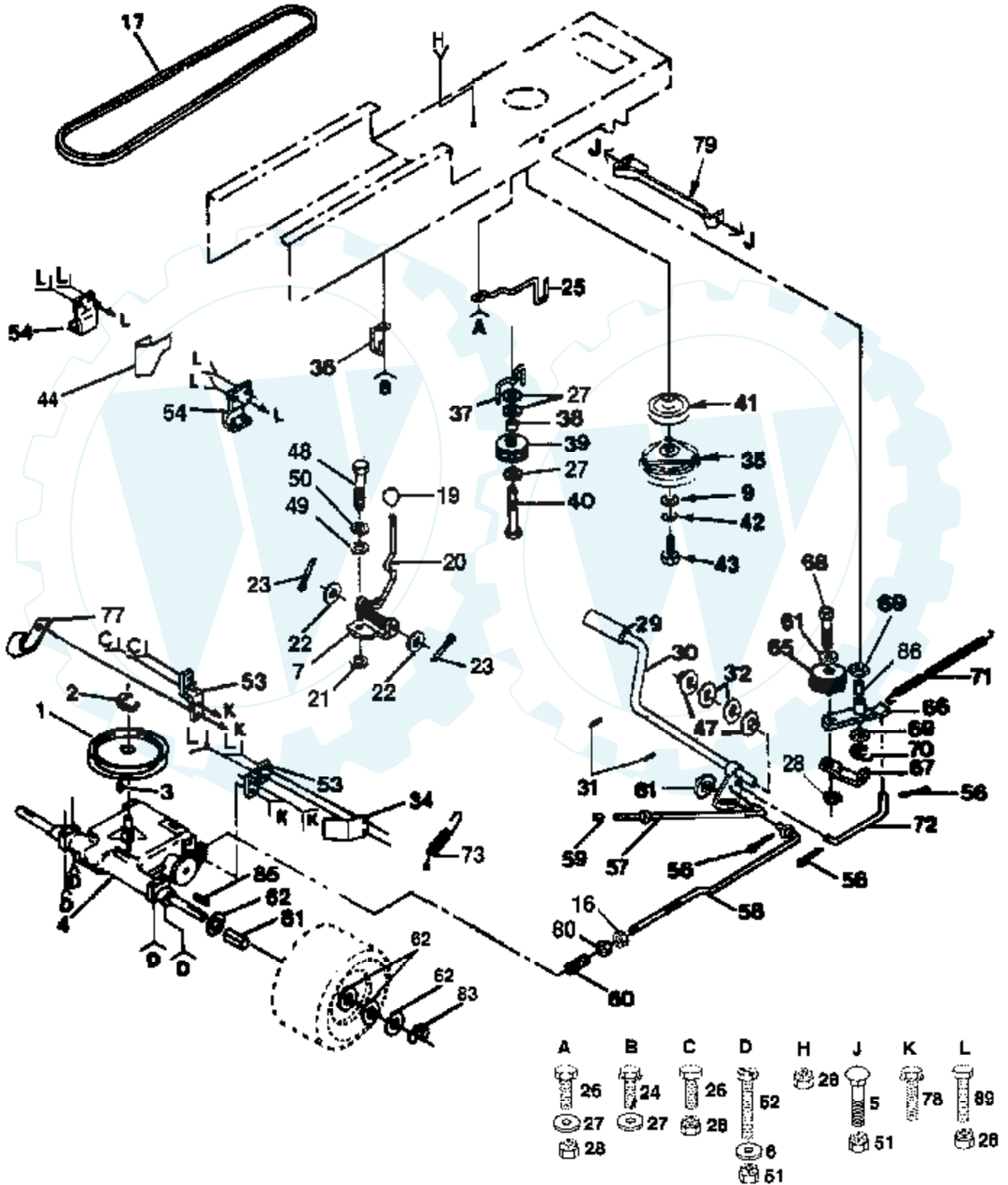


Ref #	Part Number	Qty	Description
1	138955		DECAL.DASH.INST.
2	126626X		DECAL, HOOD L.H.
3	126625X		DECAL, HOOD R.H.
4	126171X		"DECAL,GRILL"
5	138654		DECAL.ENG.272613
6	126628X		"DECAL,FENDER T"
7	136834		SUB= 139346
8	133796		DECAL
9	4900J		DECAL T
12	137259		"DECAL, WARNING"
13	126175X		"DECAL,STR WHL T"
14	121549X		DECAL
15	126658X		DECAL.STRIPE.GR
16	106202X		REFLECTOR-TAIL YT
19	126311X		"DECAL,GRILL HP T"
	138311		DECAL HANDLE LIFT
	139255		MANUAL, OWNER'S



14 HP 44" TRACTOR -- MODEL NUMBER T1444D

DRIVE





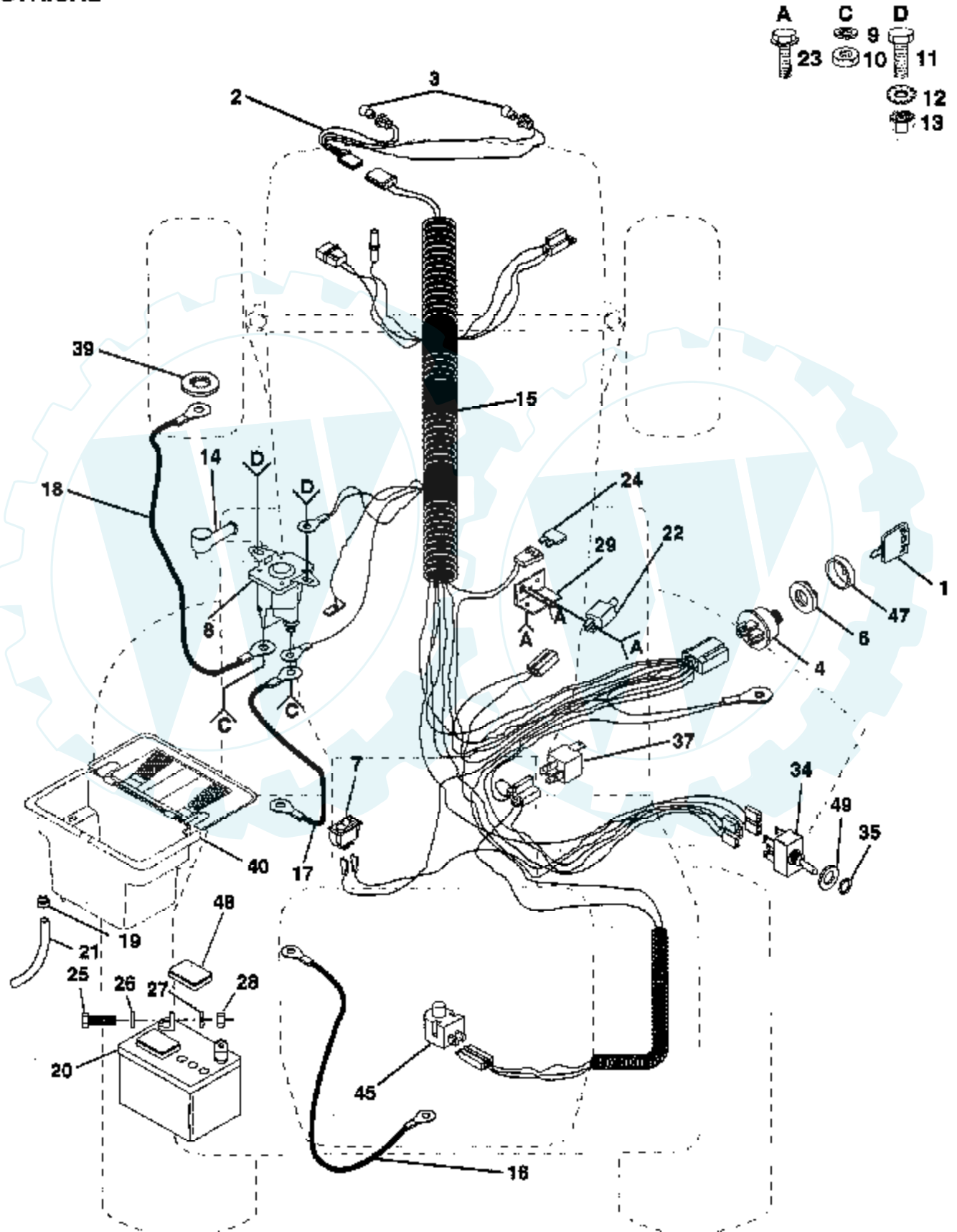
Ref #	Part Number	Qty	Description
1	123667X		"PULLEY,TRANSAXLE"
2	12000028		SUB= 2267J
3	2228M		SUB= 2228M1
4			REFER TO IMAGE
5	72140506		BOLT
6	19111012		WASHER T
7	106919X		PLATE SHIFT LT
9	126197X		WASHER
16	73350600		NUT
17	125908X		BELT-V
18	17021008		SCREW
19	106279X		CONTROL KNOB LT
20	124461X		ROD SHIFTER
21	105701X		WASH-SHFT PLT LT
22	19151216		WASHER
23	76020416		PIN COTTER 1/8
24	17490612		SCREW
25	129921		KEEPER.BELT.ENG.L
26	74760616		BOLT
27	19131312		WASHER
28	73680600		SUB= 73690600
29	8883R		PEDAL COVER T
30	122424X		SUB= 149001
31	1572H		SUB= 2882J
32	19211616		WASHER LT
34	127290		"KEEPER,BELT RH"
35	137140		SUB= 142600
36	136715		SUB= 140312
37	109070X		BELT KEEPER LT
38	4470J		SPACER T
39	123674X		PULLEY.IDLER.FLAT
40	74760644		BOLT
41	136905		PULLEY ENGINE
42	10040700		LOCKWASHER
43	71170768		SUB= 150280
44	127289		"KEEPER,BELT LH"
45	125593X		SUB= 272293
47	120183X		NYLON BEARING
48	71040412		SUB= 74550412
49	19091210		WASHER LT
50	10040400		LOCKWASHER
51	73680600		SUB= 73690600
52	74760644		BOLT
53	121520X		STRAP TORQUE
54	109167X		BRACKET LT
56	76020412		COTTER PIN
57	128904		PARKING BRAKE ROD
58	131867		BRAKE ROD
59	7733J		SUB= 71673
60	126909X		"SPRING,ROD BRAKE"
61	19131316		WASHER
62	121749X		WASHER
65	127783		SUB= 139245
66	123789X		ARM IDLER
67	123205X		RETAIN BELT
68	74760624		SUB= 74930624
69	110812X		WASHER LT
70	12000039		KLIP RING

Ref #	Part Number	Qty	Description
71	105709X		"SPRING, RETURN LT"
72	105710X		"LINK, CLUTCH T"
73	110422X		SUB= 146682
78	17490512		SCREW
79	137141		BRACKET.ASM.MTG
80	73800600		NUT
81	109502X		SPACER LT
83	12000001		E-RING LT
85	123583X		SQUARE KEY
86	105706X		"LY, BEARING"
89	74760612		SUB= 74780612



14 HP 44" TRACTOR -- MODEL NUMBER T1444D

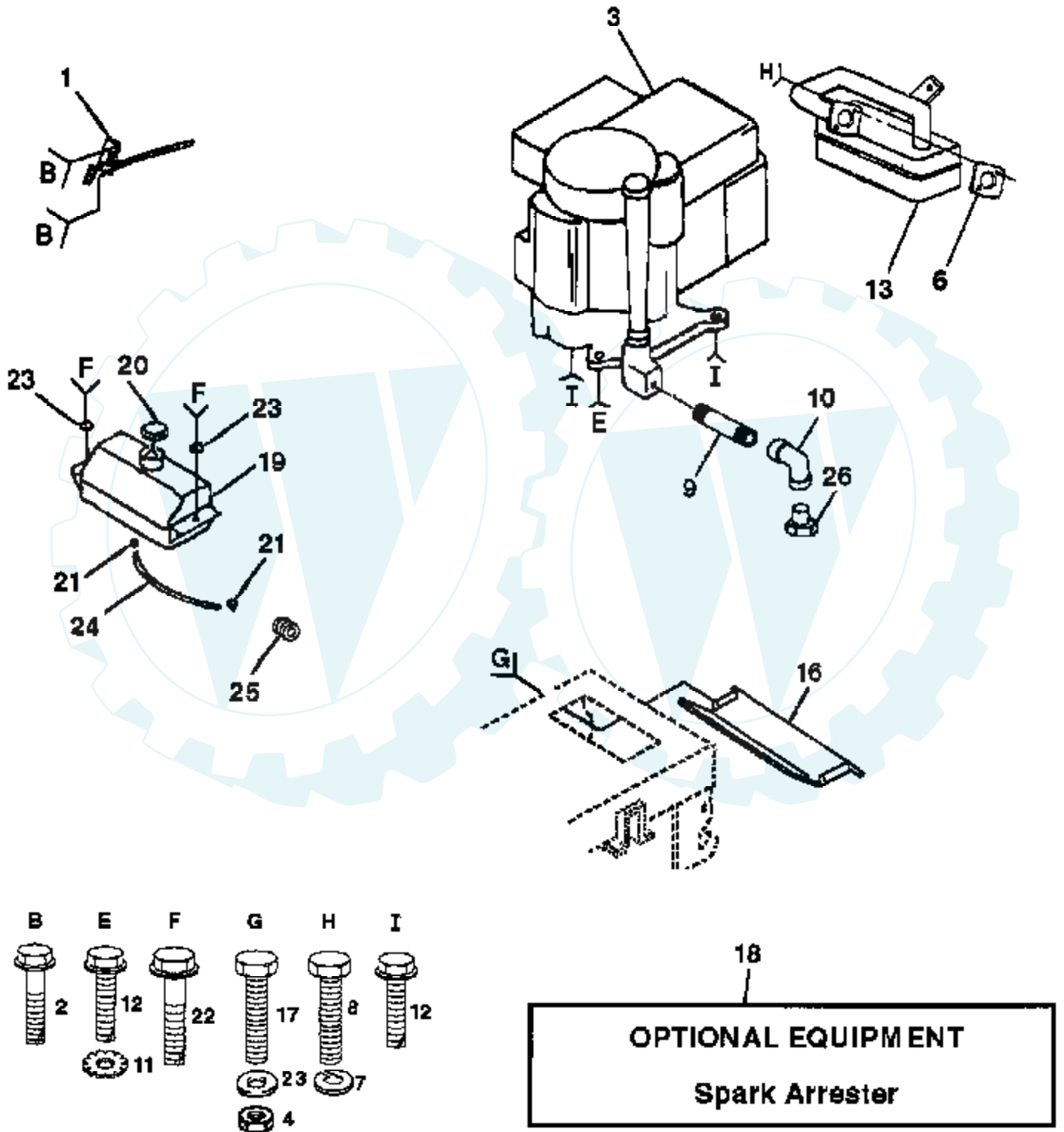
ELECTRICAL



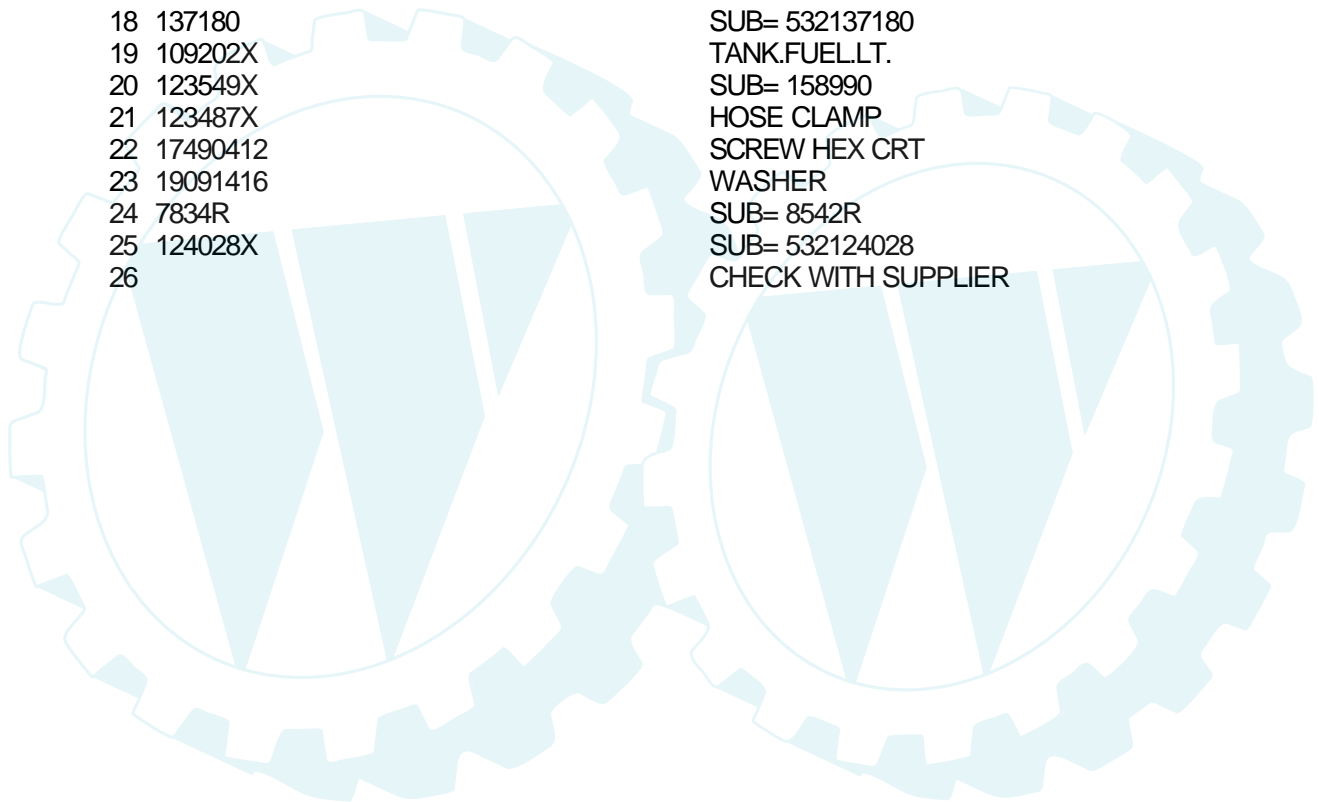
Ref #	Part Number	Qty	Description
1	122147X		KEY
2	136850		"HARNESS,LIGHT SOC"
3	4152J		HEADLAMP BULB
4	102972X		SUB= 918102972X
6	124211X		NUT IGNITION
7	110712X		SWITCH LT
8	138406		SUB= 146154
9	10090400		SUB= 10040400
10	73350400		NUT
11	74780408		BOLT
12	11050400		LOCKWASHER
13	73510400		NUT
14	131563		SUB= 154336
15	139630		HARNESS.IGN
16	4207J		CABLE T
17	132202		SUB= 146147
18	4799J		"CABLE T, BATTERY"
19	109596X		HOSE CLAMP T
20	121265X		SUB= 123899X
21	109238X		TUBE T
22	104445X		SWITCH-INTER. GT
23	17021008		SCREW
24	108824X		FUSE HYT
25	74760412		BOLT LT
26	19091016		WASHER
27	10040400		LOCKWASHER
28	73220400		SUB= 50675
29	108236X		BRACKET LT
34	126017X		"SWITCH,PTO"
35	4022J		HEX NUT T
37	109748X		RELAY ASSY T
39	11150400		LOCKWASHER
40	129965		SUB= 156417
45	121305X		SWITCH SEAT
47	123620X		SUB= 141226
48	121264X		"CAP,BATTERY "
49	19171216		WASHER

14 HP 44" TRACTOR - - MODEL NUMBER T1444D

ENGINE

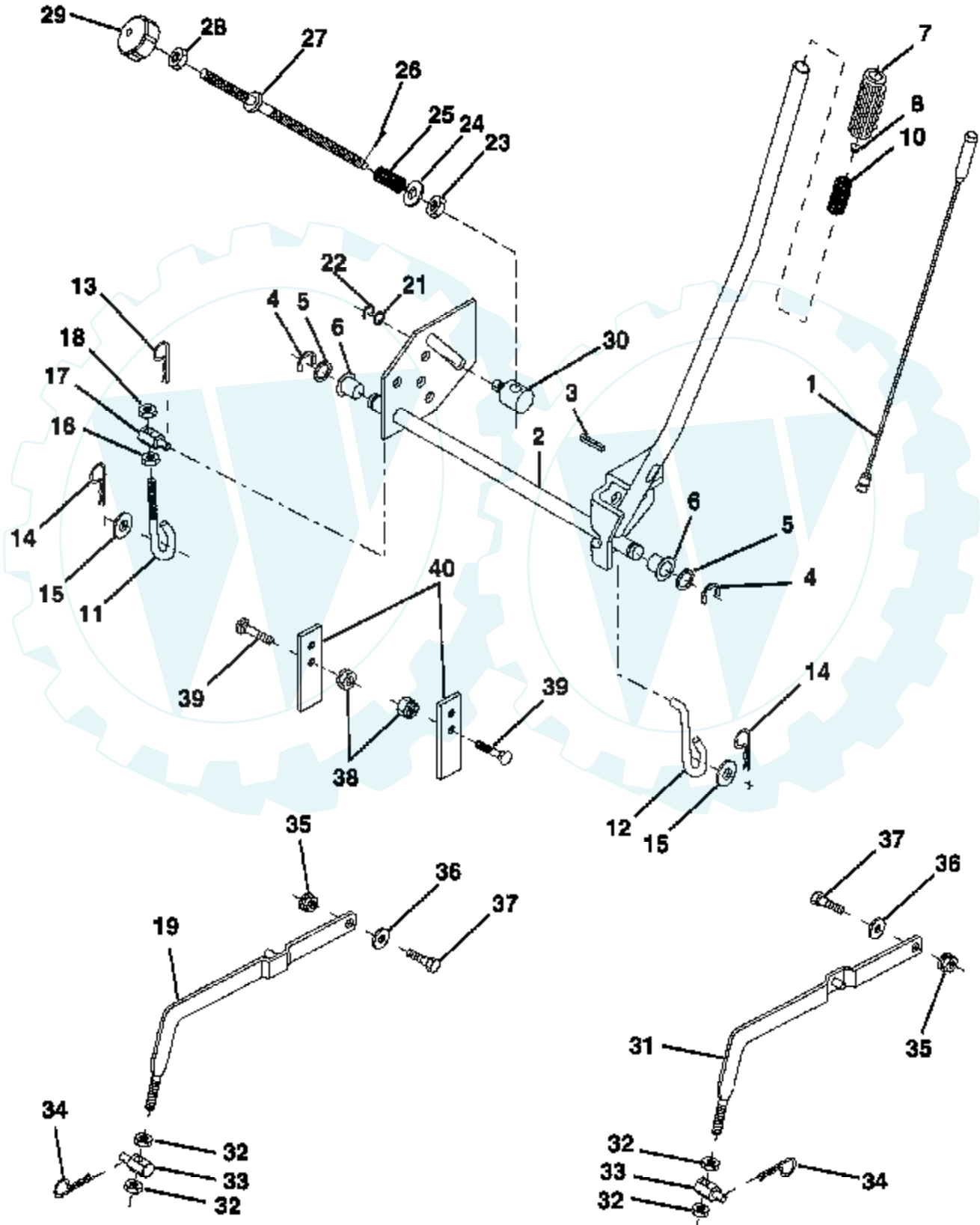


Ref #	Part Number	Qty	Description
1	132623		SUB= 532132623
2	17720410		SCREW LT
3			REFER TO IMAGE
4	126850X		"NUT,SELF RETAININ"
6	125593X		SUB= 272293
7	10040500		LOCKWASHER
8	71070510		SCREW LT
9	13280324		PIPE NIPPLE
10	13200300		ELBOW
11	11050600		LOCKWASHER
12	17490620		SCREW
13	137352		MUFFLER
16	123665X		SUB= 123743X
17	74760412		BOLT LT
18	137180		SUB= 532137180
19	109202X		TANK.FUEL.LT.
20	123549X		SUB= 158990
21	123487X		HOSE CLAMP
22	17490412		SCREW HEX CRT
23	19091416		WASHER
24	7834R		SUB= 8542R
25	124028X		SUB= 532124028
26			CHECK WITH SUPPLIER



14 HP 44" TRACTOR – MODEL NUMBER T1444D

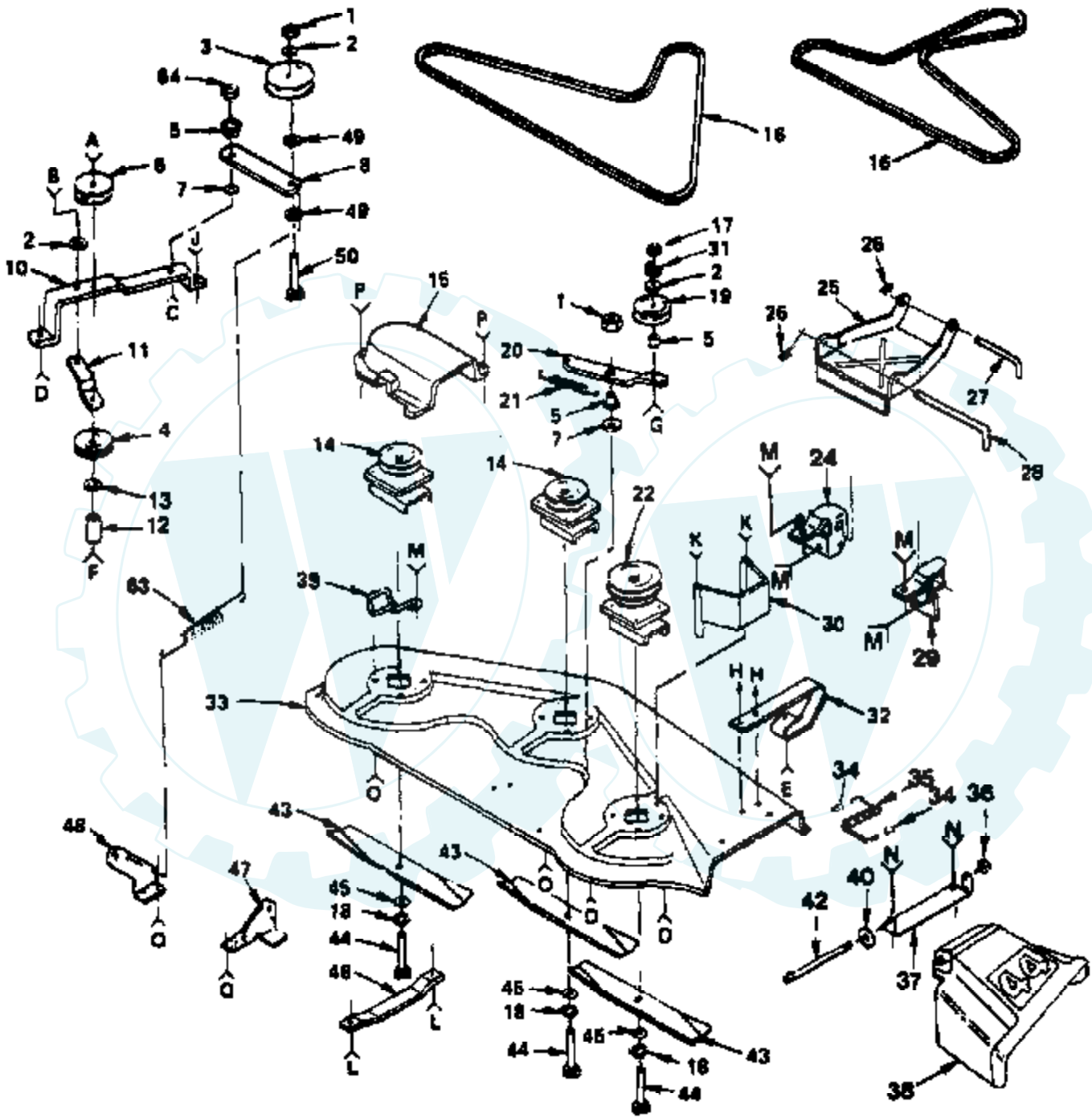
LIFT ADJUSTMENT



Ref #	Part Number	Qty	Description
1	136973		WIRE ASM
2	122507X		SUB= 145117
3	105767X		PIN-GROOVE LT
4	12000002		SUB= 2225J
5	19211621		WASHER
6	120183X		NYLON BEARING
7	109413X		GRIP
8	124385X		SUB= 125925X
10	122512X		SUB= 532122512
11	110448X		PIVOT PIN T
12	110029X		LIFT LINK LT
13	4939M		SUB= 85902
14	4921H		SPRING.RETAINER
15	19171516		WASHER T
16	73360700		NUT
17	110447X		SUB= 132793
18	73710700		NUT LOCK YTH
19	121599X		LH SUSP ARM ASM
21	19151216		WASHER
22	12000037		KLIP RING
23	110807X		NUT T
24	19131016		WASHER
25	2876H		SPRING T
26	76020308		SUB= 3145
27	126971		SUB= 532126971
28	73350600		NUT
29	138057		KNOB INF 3/8-16
30	110810X		TRUNION LT
31	121598X		RH SUSP ARM ASM
32	73220800		NUT
33	106308X		SUB= 130171
34	9135R		SPRING H
35	73980600		NUT SPECIAL T
36	110739X		WASHER T
37	105848X		"BOLT, SHOULDER LT"
38	73680600		SUB= 73690600
39	72140608		SUB= 72110608
40	121252X		UPSTOP

14 HP 44" TRACTOR -- MODEL NUMBER T1444D

44" MOWER DECK



- | A | B | C | D | E | F | G | H | J | K | L | M | N | O | P | Q |
|----|----|----|----|----|----|----|----|----|----|----|----|----|----|----|----|
| 51 | 52 | 53 | 54 | 55 | 58 | 59 | 55 | 23 | 62 | 9 | 55 | 55 | 66 | 65 | 87 |
| 41 | 1 | | | 56 | | | 60 | 1 | 61 | 57 | 61 | 57 | | 56 | 1 |
| 2 | | | | | 1 | | | | 81 | | 57 | | | 57 | |
| 1 | | | | | | | | | 57 | | | | | | |

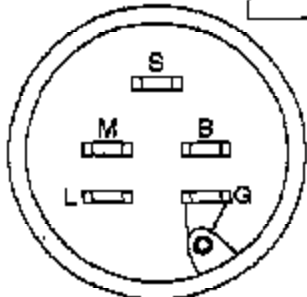
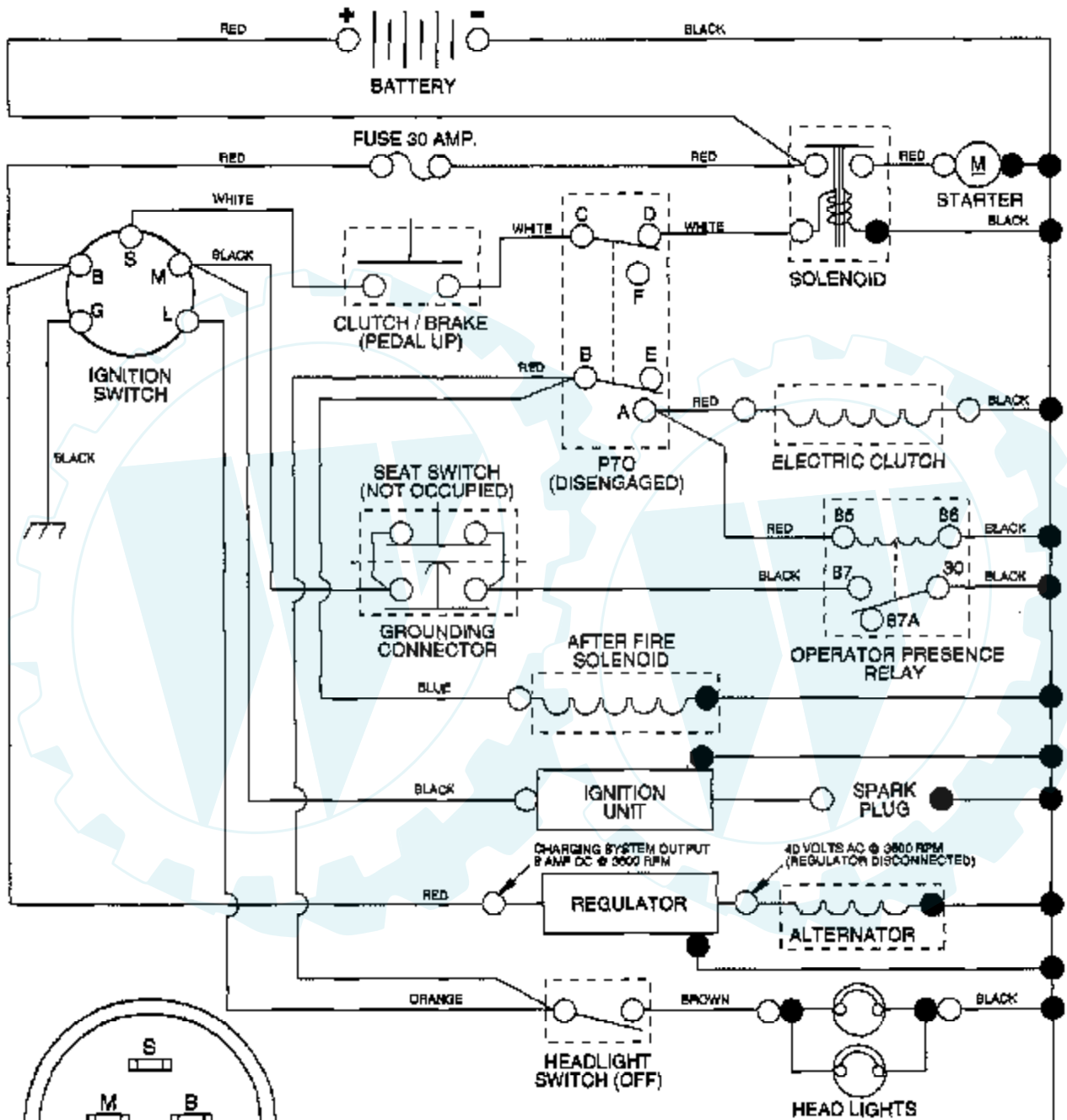
Ref #	Part Number	Qty	Description
1	73680600		SUB= 73690600
2	19131614		WASHER
3	121316X		PULLEY IDLER
4	102403X		IDLER-FLAT T
5	106902X		SPACER RETAINER
6	677A451		IDLER-INSIDE T
7	106513X		"WASHER, WEAR LT"
8	121425X		ARM IDLER
9	72110505		BOLT
10	106523X		"SUPPORT YT, BAR"
11	106522X		BRACE-IDLER YT
12	121236X		SPACER
13	19131316		WASHER
14	136818		SUB= 136819
15	106214X		GUARD YT
16	106085X		BELT-V.79.1.MWR
17	73220600		NUT.HEX.3/8-16UNC
18	10030600		SUB= 10040600
19	102932X		IDLER.FLAT.GTV
20	106526X		ARM-IDLER YT
21	7644J		SPRING T
22	121704		MANDREL PRIMARY
23	74760616		BOLT
24	106511X		BRACKET LH YT
25	129762		"STOP, LINK PARAL"
26	4921H		SPRING.RETAINER
27	105744X		"ROD, FRT. PARAL T"
28	109835X		HINGE PIN T
29	106512X		BRACKET RH YT
30	108119X		GUARD BELT HYT
31	10040600		LOCKWASHER
32	136321		RUNNER.RH
33	121423X		SUB= 144729
34	105304X		CAP-SLEEVE LT
35	123713X		SPRING TORSION
36	110452X		NUT PUSH M
37	137606		DECAL
38	109785X		DEFLECTOR SHIELD
39	121352X		BELT RETIANER
40	19111016		WASHER
41	19131410		WASHER
42	106735X		ROD-HINGE T
43	106635X		SUB= 25034
44	74610624		BOLT.3/8-24X1-1/2
45	19132012		WASHER
46	7631J		RUNNER-LH M
47	123807X		BRKT SUSP REAR RH
48	123808X		BRKT SUSP REAR LH
49	19131210		WASHER
50	72140620		BOLT
51	72140614		BOLT
52	72140608		SUB= 72110608
53	72140612		BOLT
54	74760620		SUB= 74780620
55	72140506		BOLT
56	19111116		WASHER
57	73680500		SUB= 73690500
58	74760648		BOLT - HEX 3/8 - 16 X 3

Ref #	Part Number	Qty	Description
59	74110632		SCREW YT
60	1685H		SUB= 68478
61	19111216		WASHER M
62	74760580		BOLT
63	102727X		"SPRING.EXT.8.5""
64	73930600		LOCKNUT
65	72110506		SUB= 72270506
66	17490612		SCREW
67	72140606		BOLT
	121826X		SUB= 532131508



14 HP 44" TRACTOR -- MODEL NUMBER T1444D

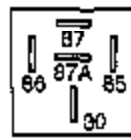
SCHEMATIC



IGNITION SWITCH

POSITION	CIRCUIT
OFF	M + G
ON	B + L
START	B + S + L

WIRING INSULATED CLIPS
NOTE: IF WIRING INSULATED CLIPS WERE REMOVED FOR SERVICING OF UNIT, THEY SHOULD BE REPLACED TO PROPERLY SECURE YOUR WIRING

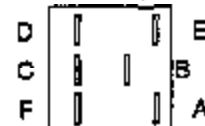


RELAY

PTO SWITCH

POSITION	CIRCUIT
OFF	B + E, C + D
ON	B + A, C + F

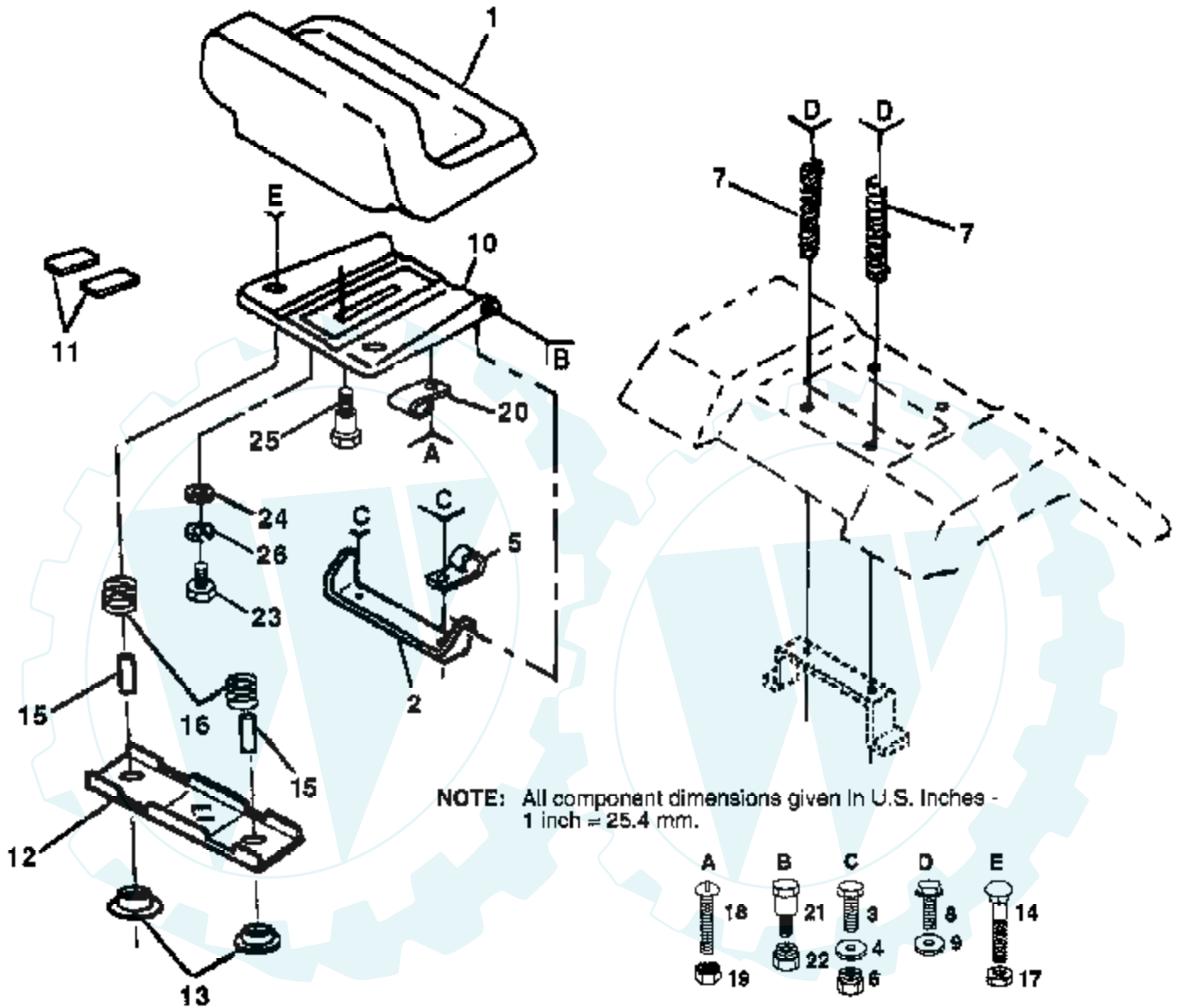
● NON-REMOVABLE CONNECTIONS
○ REMOVABLE CONNECTIONS



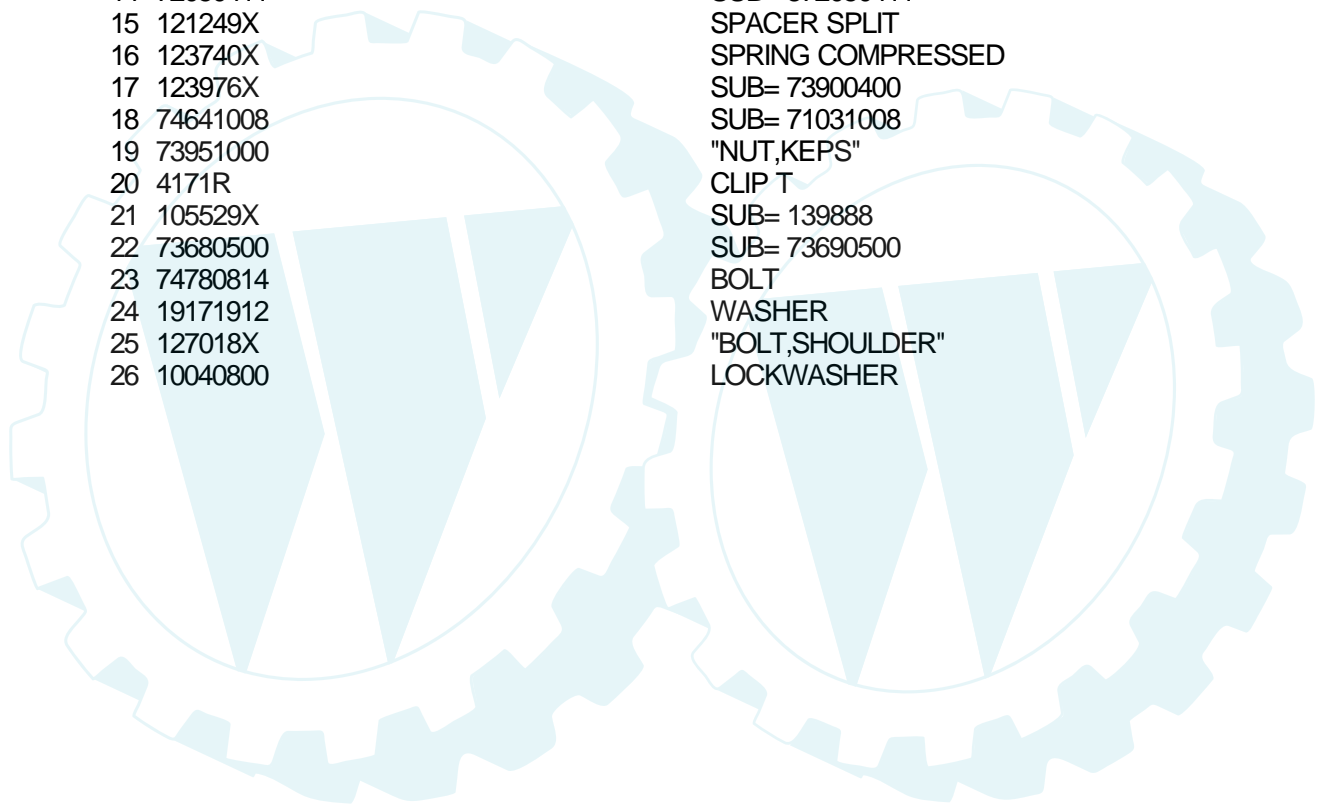
Ref #	Part Number	Qty	Description
1	122147X		KEY
2	136850		"HARNESS,LIGHT SOC"
3	4152J		HEADLAMP BULB
4	102972X		SUB= 918102972X
6	124211X		NUT IGNITION
7	110712X		SWITCH LT
8	138406		SUB= 146154
9	10090400		SUB= 10040400
10	73350400		NUT
11	74780408		BOLT
12	11050400		LOCKWASHER
13	73510400		NUT
14	131563		SUB= 154336
15	139630		HARNESS.IGN
16	4207J		CABLE T
17	132202		SUB= 146147
18	4799J		"CABLE T, BATTERY"
19	109596X		HOSE CLAMP T
20	121265X		SUB= 123899X
21	109238X		TUBE T
22	104445X		SWITCH-INTER. GT
23	17021008		SCREW
24	108824X		FUSE HYT
25	74760412		BOLT LT
26	19091016		WASHER
27	10040400		LOCKWASHER
28	73220400		SUB= 50675
29	108236X		BRACKET LT
34	126017X		"SWITCH,PTO"
35	4022J		HEX NUT T
37	109748X		RELAY ASSY T
39	11150400		LOCKWASHER
40	129965		SUB= 156417
45	121305X		SWITCH SEAT
47	123620X		SUB= 141226
48	121264X		"CAP,BATTERY "
49	19171216		WASHER

14 HP 44" TRACTOR - - MODEL NUMBER T1444D

SEAT ASSEMBLY

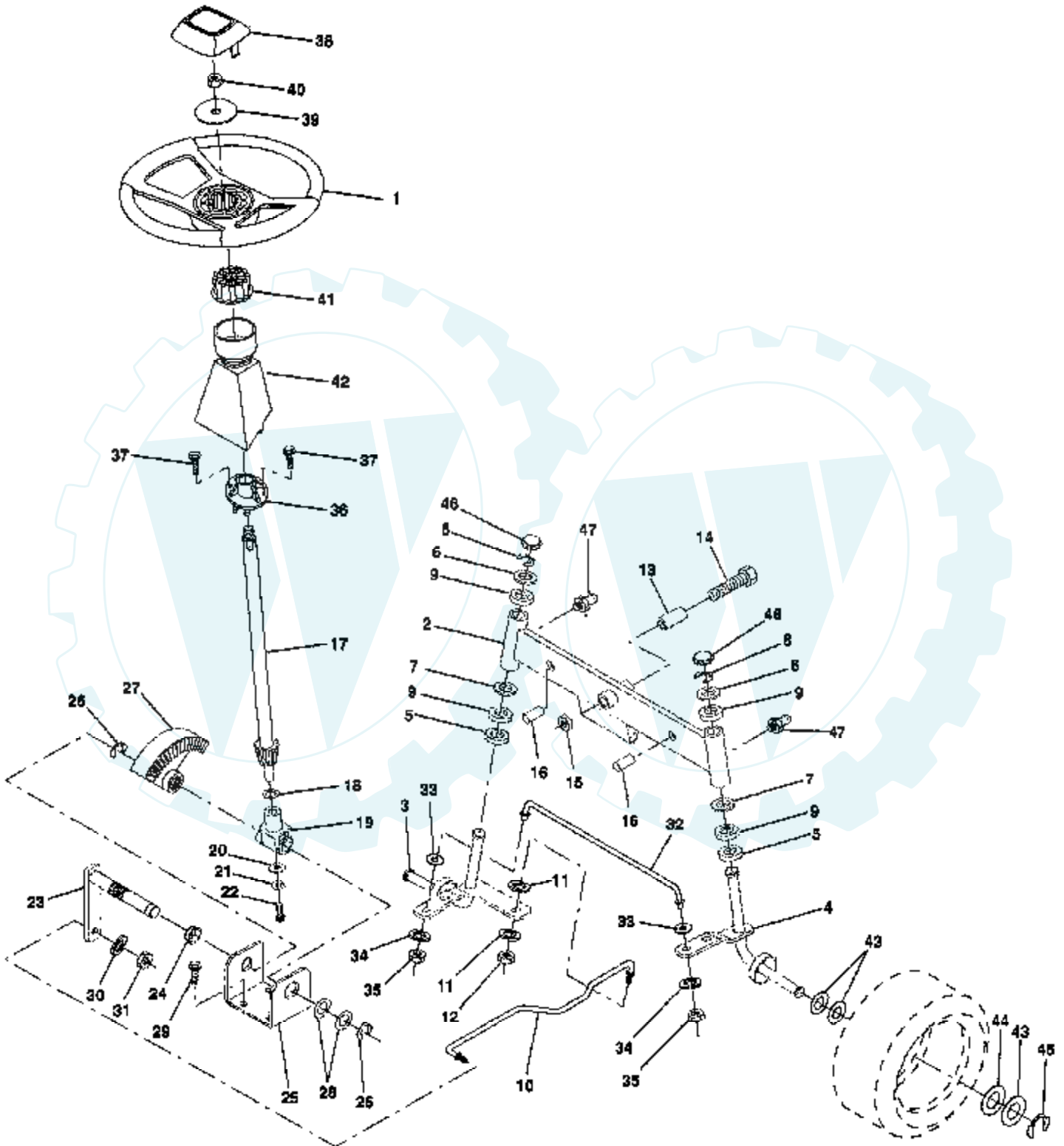


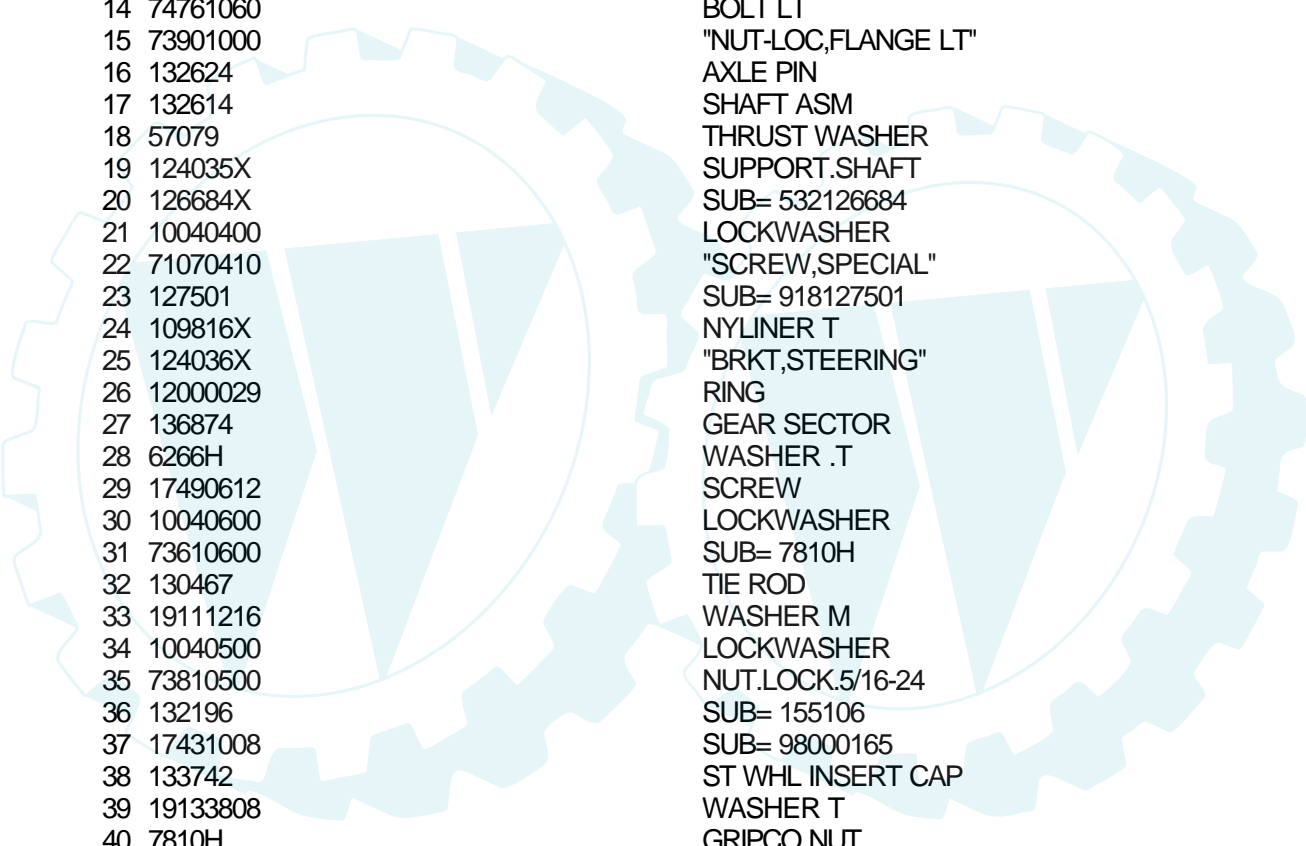
Ref #	Part Number	Qty	Description
1	127433		SUB= 140121
2	126656X		SUB= 140551
3	74760612		SUB= 74780612
4	19131610		WASHER PM
5	2751R		CLIP T
6	73680600		SUB= 73690600
7	124181X		SPRING COMPRESSIO
8	17490616		SCREW GTV
9	19131614		WASHER
10	131451		SUB= 155925
11	121251X		STRIP FORM
12	121246X		BRKT SWITCH
13	121248X		BUSHING
14	72050411		SUB= 872050411
15	121249X		SPACER SPLIT
16	123740X		SPRING COMPRESSED
17	123976X		SUB= 73900400
18	74641008		SUB= 71031008
19	73951000		"NUT,KEPS"
20	4171R		CLIP T
21	105529X		SUB= 139888
22	73680500		SUB= 73690500
23	74780814		BOLT
24	19171912		WASHER
25	127018X		"BOLT,SHOULDER"
26	10040800		LOCKWASHER



14 HP 44" TRACTOR - - MODEL NUMBER T1444D

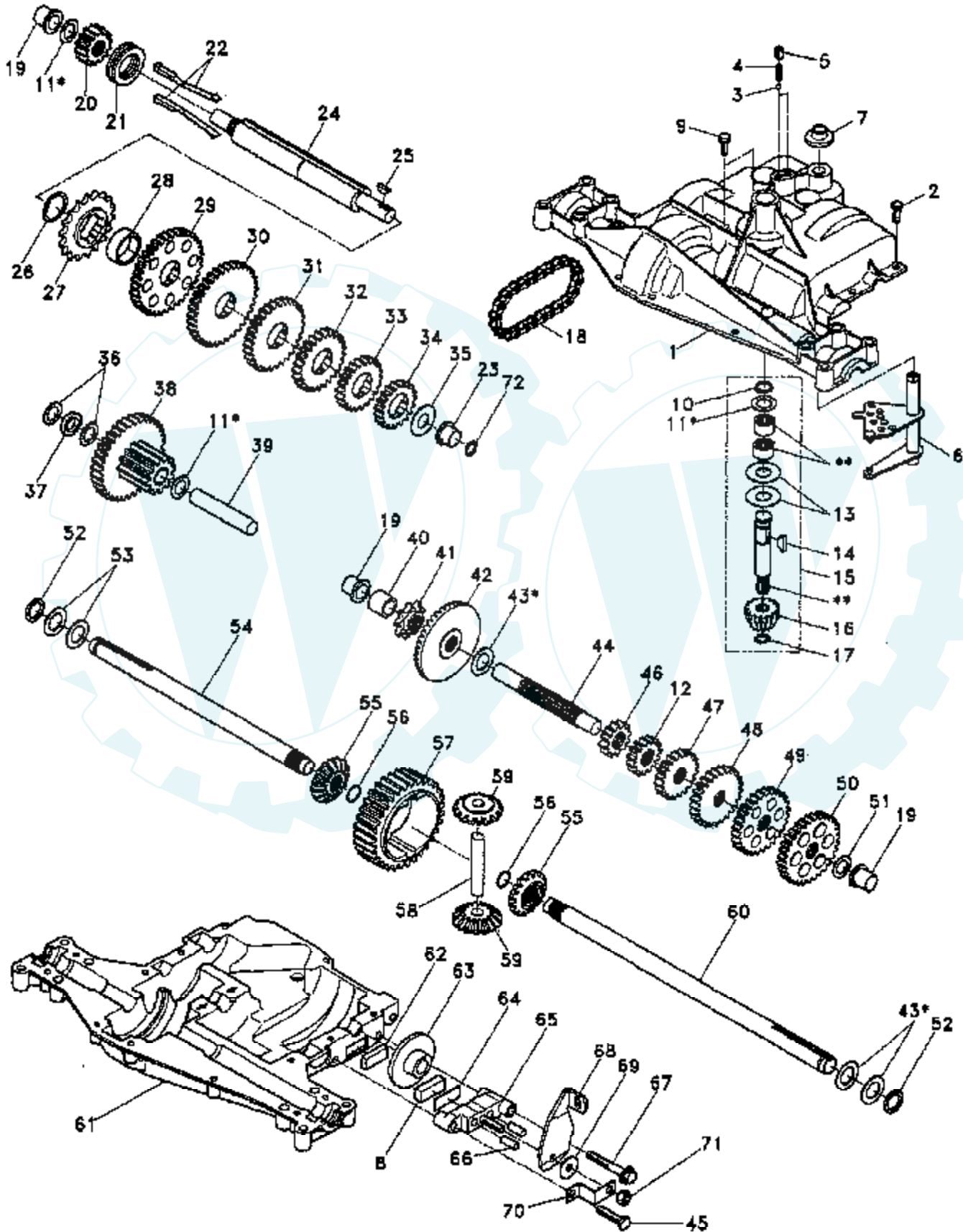
STEERING ASSEMBLY





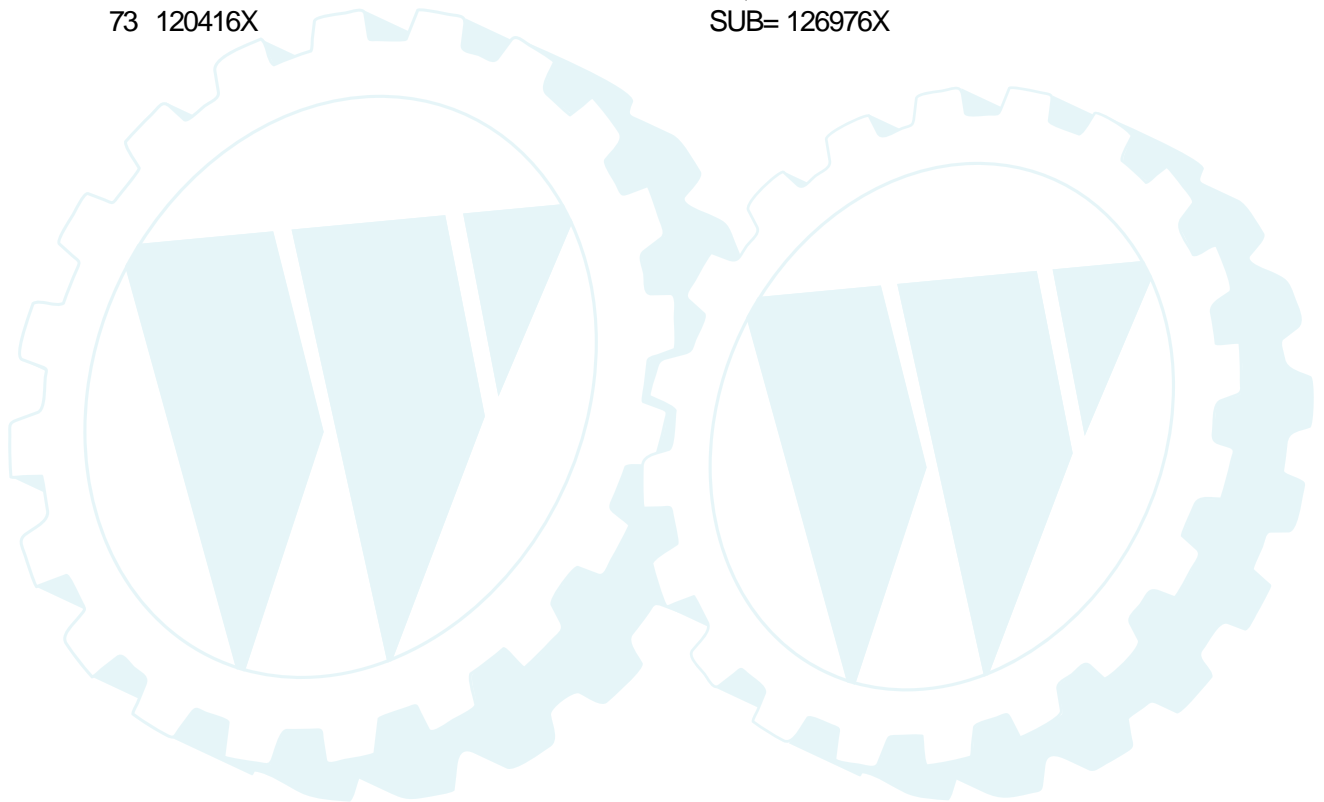
Ref #	Part Number	Qty	Description
1	133741		SUB= 150547
2	108075X		FRONT AXLE
3	135227		SPINDLE LH
4	135228		SPINDLE RH
5	6266H		WASHER .T
6	121748X		WASHER
7	19272016		WASHER
8	12000029		RING
9	3366R		COL. SRTG. BEAR.
10	130468		SUB= 532130468
11	10040600		LOCKWASHER
12	73610600		SUB= 7810H
13	110438X		BEARING
14	74761060		BOLT LT
15	73901000		"NUT-LOC,FLANGE LT"
16	132624		AXLE PIN
17	132614		SHAFT ASM
18	57079		THRUST WASHER
19	124035X		SUPPORT.SHAFT
20	126684X		SUB= 532126684
21	10040400		LOCKWASHER
22	71070410		"SCREW,SPECIAL"
23	127501		SUB= 918127501
24	109816X		NYLINER T
25	124036X		"BRKT,STEERING"
26	12000029		RING
27	136874		GEAR SECTOR
28	6266H		WASHER .T
29	17490612		SCREW
30	10040600		LOCKWASHER
31	73610600		SUB= 7810H
32	130467		TIE ROD
33	19111216		WASHER M
34	10040500		LOCKWASHER
35	73810500		NUT.LOCK.5/16-24
36	132196		SUB= 155106
37	17431008		SUB= 98000165
38	133742		ST WHL INSERT CAP
39	19133808		WASHER T
40	7810H		GRIPCO NUT
41	104820X		ADAPTER-WHEEL LT
42	124418X		"TUBE, STR SHAFT"
43	121749X		WASHER
44	121748X		WASHER
45	12000029		RING
46	121232X		CAP
47	6855M		ZERK M

14 HP 44" TRACTOR -- MODEL NUMBER T1444D DANA TRANSAXLE - MODEL NUMBER 4360-54



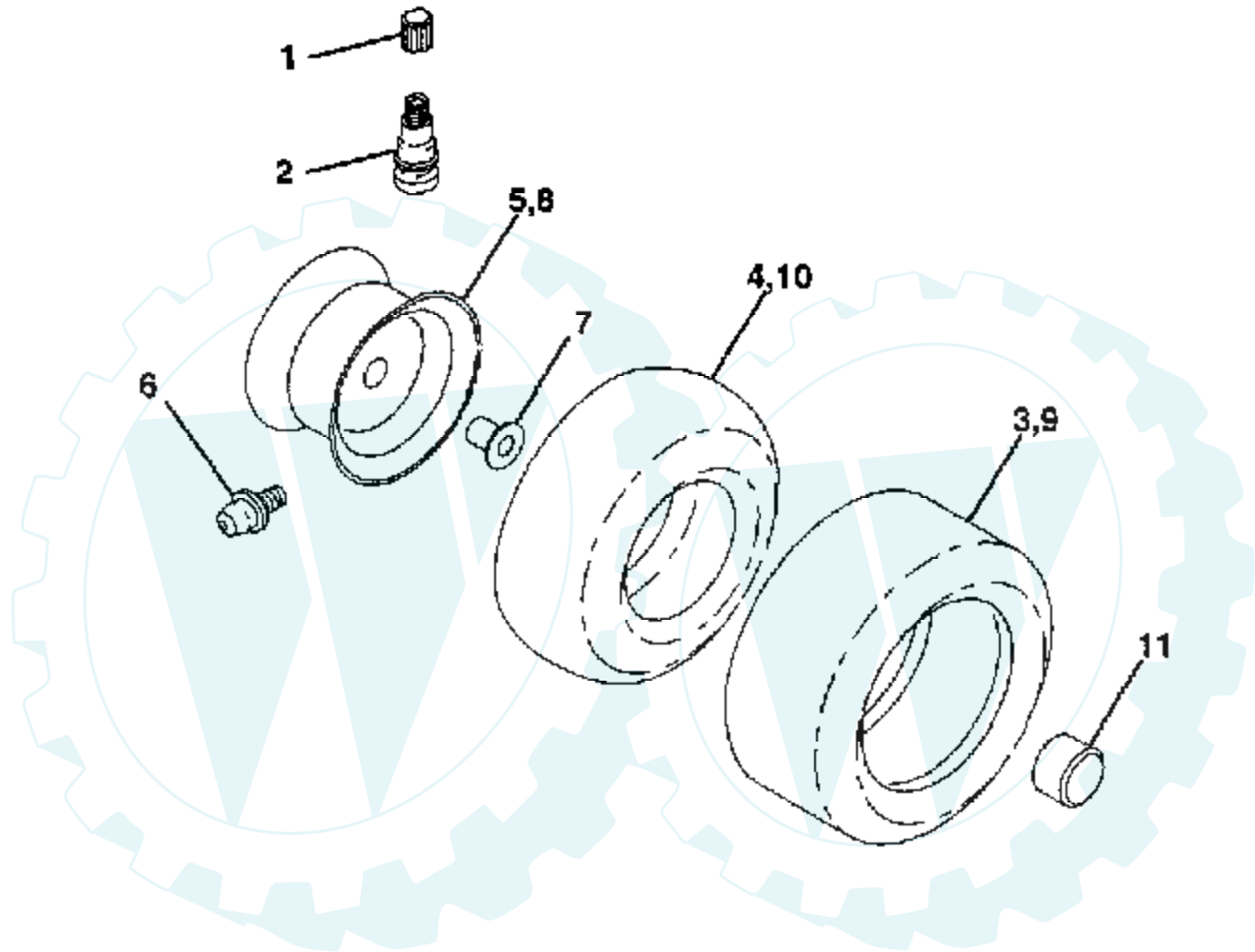
Ref #	Part Number	Qty	Description
1	138248		SUB= 160951
2	2274J		SUB= 74760412
3	134400		SUB= 68003
4	105904X		"SPRING, DETENT LT"
5	105905X		"SCREW, SET LT"
6	134788		SHIFTER.ASM.KIT.
7	134399		SHIFTER BOOT
8	120951X		PUCK T
9	134791		SCREW TAP W/SEAL
10	2267J		RETAINING RING LT
11	134793		ASM KIT SHIM 4689
12	106151X		SUB= 144893
13	120415X		WASHER T
14	2257J		WOODRUFF KEY
15	106846X		SUB= 167148
16	106095X		SUB= 95-8060-6F
17	105909X		"RING,RETAINING LT"
18	105910X		"CHAIN,24 PTCH LT"
19	105911X		BEARING.FLNG.5510
20	138242		GEAR SPUR 14T
21	138246		COLLAR CLUTCH
22	138237		KIT.ASM.CLUTCH KY
23	138240		"FLANGE, BEARING"
24	138243		SHAFT INTERM
25	2244J		WOODRUFF KEY
26	105916X		"RING,RETAINING LT"
27	120470X		SPROCKET 18T T
28	110070X		SPACER YT
29	108977X		KIT.GEAR.12/37TH
30	109254X		SUB= 144893
31	124644X		GEAR SPUR 30T
32	108980X		GEAR 25T LT
33	120406X		GEAR SPUR 22 TT
34	134796		SPUR GEAR 19T
35	105925X		"WASHER, PLAIN LT"
36	2232J		WASHER 025
37	108978X		SPACER
38	110079X		ASSM GEAR COMB
39	124639X		SHAFT IDLER
40	120472X		SPACER T
41	105928X		SPROCKET 9T LT
42	106605X		SUB= 167148
43	134394		ASM KIT SHIM
44	120473X		SHAFT T
45	106596X		"SCREW, TAPPING LT"
46	105933X		SUB= 108977X
47	120407X		SUB= 124641X
48	106589X		"GEAR, SPUR 25T LT"
49	120408X		GEAR 28T T
50	105937X		"GEAR, SPUR 31T LT"
51	2226J		WASHER 060
52	134401		NEOPRENE WASHER
53	2264J		WASHER 031
54	120474X		SUB= 154658
55	120409X		GEAR LT
56	105941X		"RING,RETAINING LT"
57	110071X		SUB= 120478X
58	120952X		SHAFT T

Ref #	Part Number	Qty	Description
59	106592X		"GEAR,MITER 15T YT"
60	120475X		SUB= 154659
61	138247		SUB= 160951
62	120961X		PUCK T
63	7294J		BRAKE DISC. T
64	108989X		SPACER LT
65	120953X		SUB= 918120953X
66	120954X		PIN T
67	134799		TAP SCREW
68	138244		SUB= 108992X
69	108996X		WASHER LT
70	120956X		NLA
71	73810500		NUT.LOCK.5/16-24
72	138241		SQUARE RING
73	120416X		SUB= 126976X



14 HP 44" TRACTOR - - MODEL NUMBER T1444D

WHEELS



Ref #	Part Number	Qty	Description
1	59192		VALVE CAP
2	65139		VALVE STEM LT
3	106222X		SUB= 122073X
4	59904		TUBE.5.3/4.5/6
5	106732X311		SUB= 106732X427
6	278H		FITTING LT
7	9040H		"FLANGE, BEARING"
8	106108X311		SUB= 106108X427
9	122082X		SUB= 918122082X
10	7152J		TUBE.18X9.5-8
11	104757X		HUB CAP

