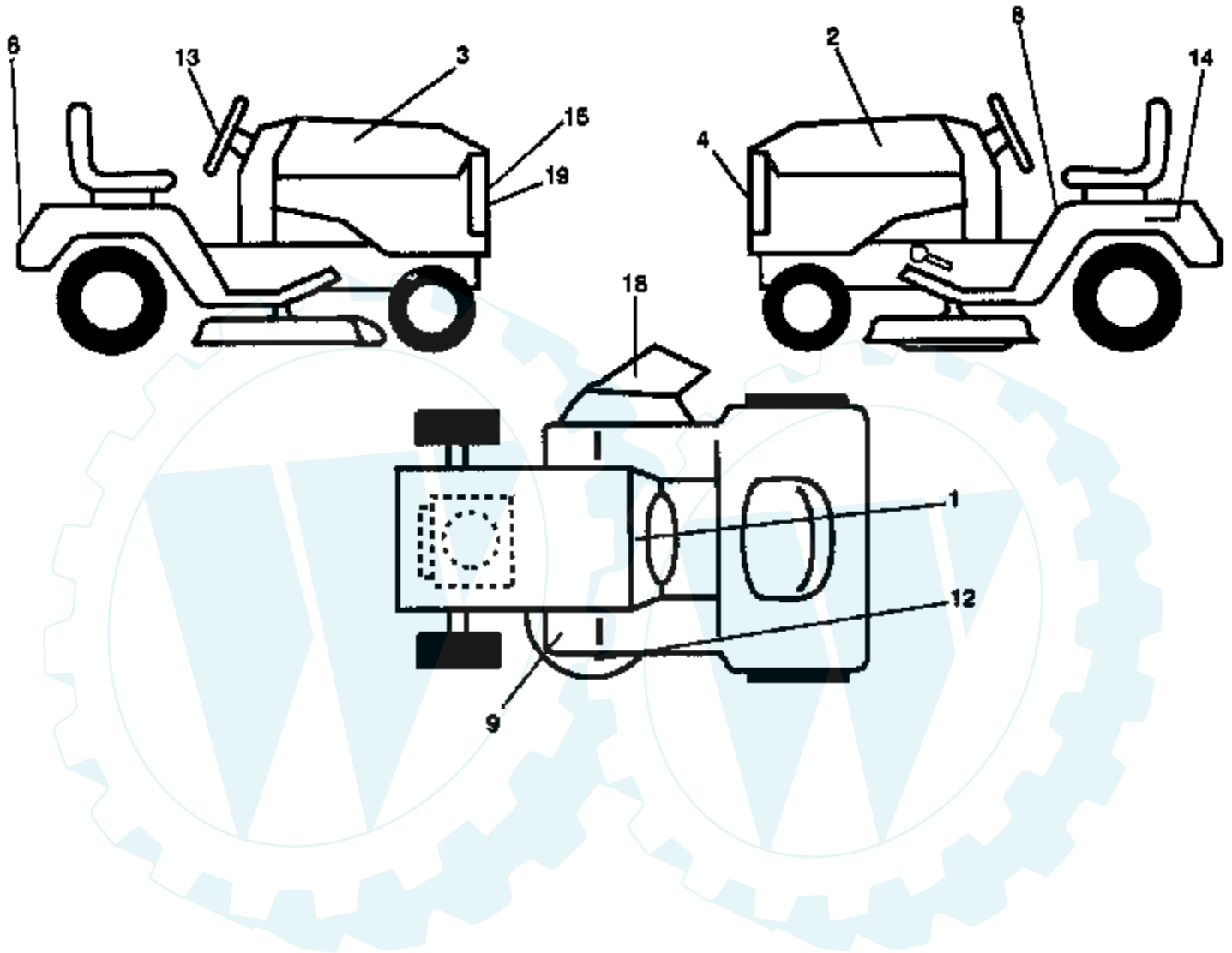


## 14 HP 44" TRACTOR - - MODEL NUMBER T1444C

### DECALS

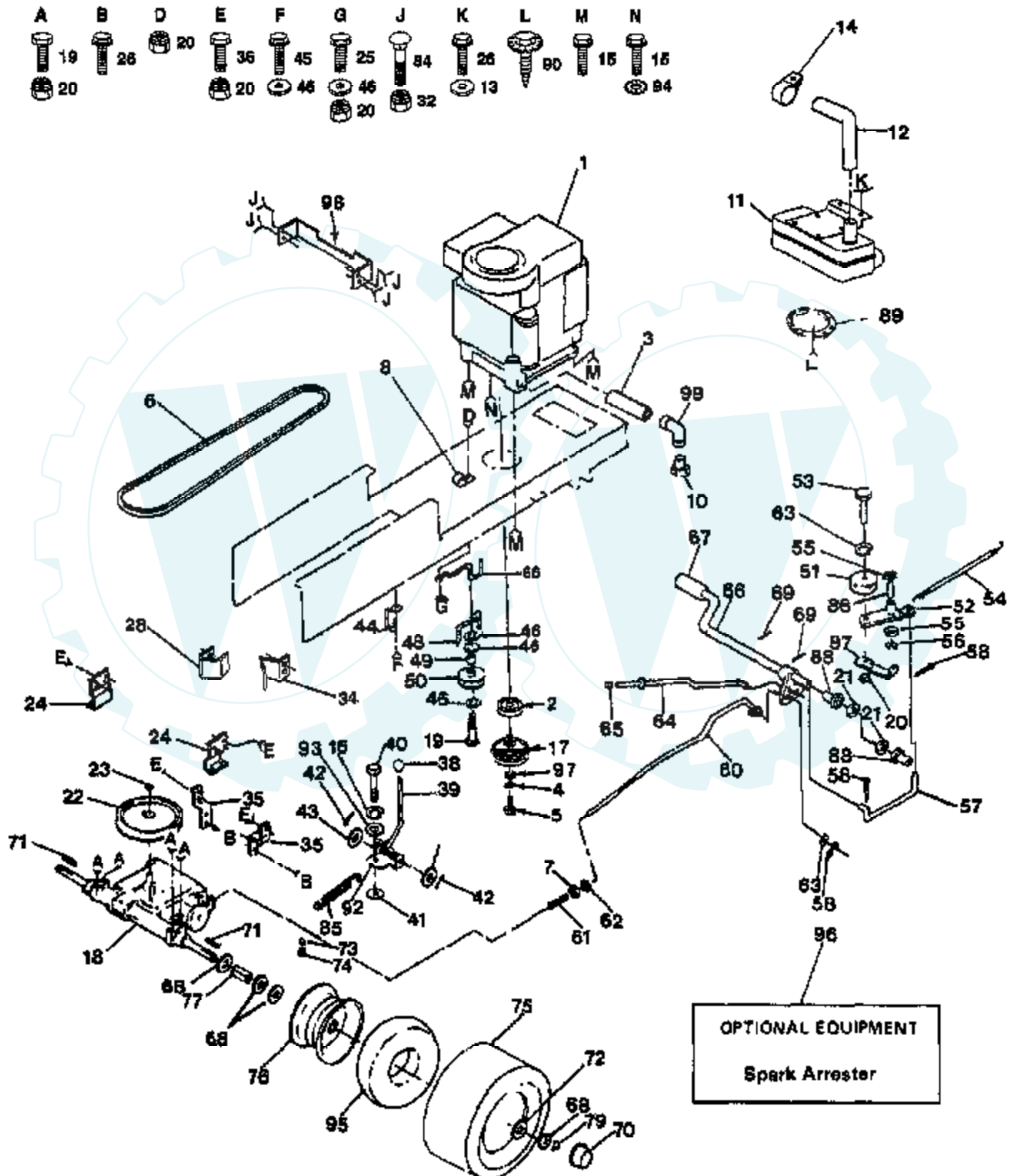


Ref #	Part Number	Qty	Description
1	109821X		SUB= 138956
2	126626X		DECAL, HOOD L.H.
3	126625X		DECAL, HOOD R.H.
4	126171X		"DECAL,GRILL"
6	126628X		"DECAL,FENDER T"
8	106974X		SUB= 133796
9	101892X		DECAL T
12	109820X		DECAL YT
13	126175X		"DECAL,STR WHL T"
14	121549X		DECAL
15	126658X		DECAL.STRIPE.GR
18	123658X		DECAL WARNING
19	126311X		"DECAL,GRILL HP T"
	135214		MANUAL



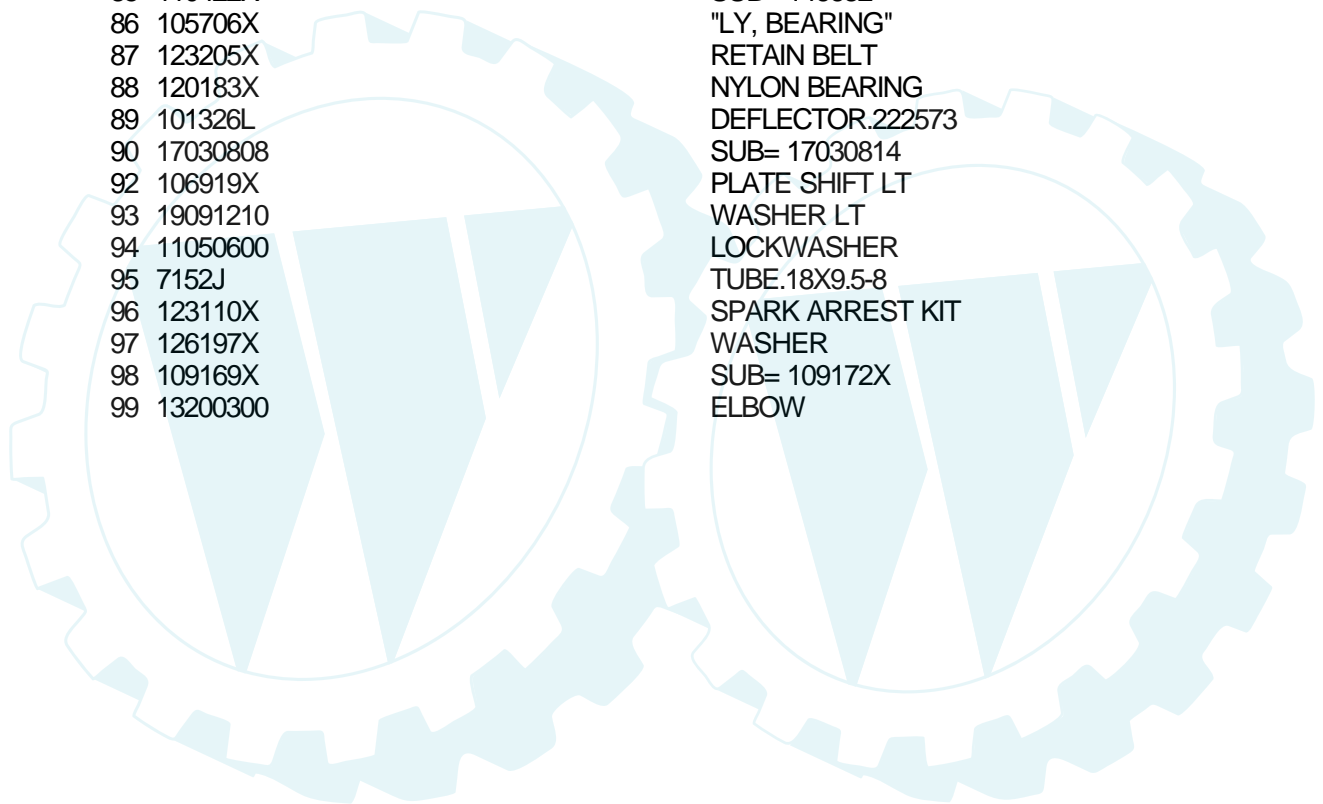
# 14 HP 44" TRACTOR - - MODEL NUMBER T1444C

## DRIVE



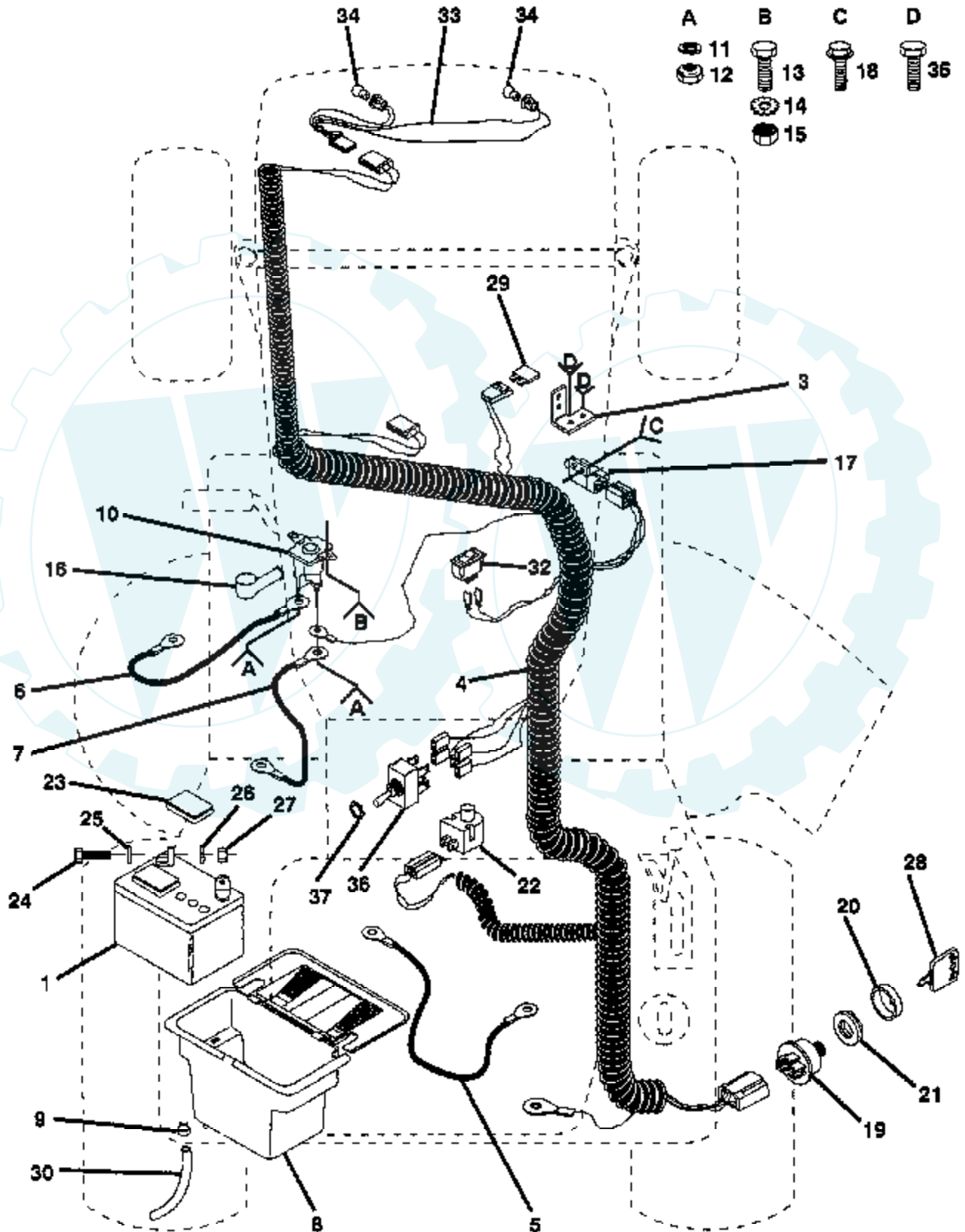
Ref #	Part Number	Qty	Description
1	131956		ENGINE
2	109841X		SUB= 136905
3	13280324		PIPE NIPPLE
4	10040700		LOCKWASHER
5	71170768		SUB= 150280
6	125908X		BELT-V
7	73800600		NUT
8	2751R		CLIP T
9	121218X		KEEPER BELT ENGLH
10			REFER TO IMAGE
11	123941X		MUFFLER
12	123920X		"TUBE,EXHAUST"
13	19112016		WASHER
14	125589X		"CLAMP,MUFFLER"
15	17490620		SCREW
16	10040400		LOCKWASHER
17	108218X		SUB= 142600
18	131965		SUB= 137367
19	74760644		BOLT
20	73680600		SUB= 73690600
21	19211616		WASHER LT
22	123666X		PULLEY TRANS
23	12000028		SUB= 2267J
24	109167X		BRACKET LT
25	74760616		BOLT
26	17490512		SCREW
28	127275X		"KEEPER,BELT LH T"
32	73680500		SUB= 73690500
34	127274X		"KEEPER,BELT RH T"
35	121520X		STRAP TORQUE
36	74760612		SUB= 74780612
38	106279X		CONTROL KNOB LT
39	124461X		ROD SHIFTER
40	71040412		SUB= 74550412
41	105701X		WASH-SHFT PLT LT
42	76020416		PIN COTTER 1/8
43	19151216		WASHER
44	104777X		SUB= 140312
45	17490612		SCREW
46	19131312		WASHER
48	109070X		BELT KEEPER LT
49	4470J		SPACER T
50	123674X		PULLEY.IDLER.FLAT
51	127783		SUB= 139245
52	123789X		ARM IDLER
53	74760624		SUB= 74930624
54	105709X		"SPRING, RETURN LT"
55	110812X		WASHER LT
56	12000039		KLIP RING
57	105710X		"LINK, CLUTCH T"
58	76020412		COTTER PIN
60	131867		BRAKE ROD
61	106888X		SPRING ROD LT
62	73350600		NUT
63	19131316		WASHER
64	128904		PARKING BRAKE ROD
65	7733J		SUB= 71673
66	122424X		SUB= 149001

Ref #	Part Number	Qty	Description
67	8883R		PEDAL COVER T
68	121749X		WASHER
69	1572H		SUB= 2882J
70	104757X		HUB CAP
71	123583X		SQUARE KEY
72	121748X		WASHER
73	59192		VALVE CAP
74	65139		VALVE STEM LT
75	122082X		SUB= 918122082X
76	106108X311		SUB= 106108X427
77	109502X		SPACER LT
79	12000001		E-RING LT
84	72140506		BOLT
85	110422X		SUB= 146682
86	105706X		"LY, BEARING"
87	123205X		RETAIN BELT
88	120183X		NYLON BEARING
89	101326L		DEFLECTOR.222573
90	17030808		SUB= 17030814
92	106919X		PLATE SHIFT LT
93	19091210		WASHER LT
94	11050600		LOCKWASHER
95	7152J		TUBE.18X9.5-8
96	123110X		SPARK ARREST KIT
97	126197X		WASHER
98	109169X		SUB= 109172X
99	13200300		ELBOW



# 14 HP 44" TRACTOR - - MODEL NUMBER T1444C

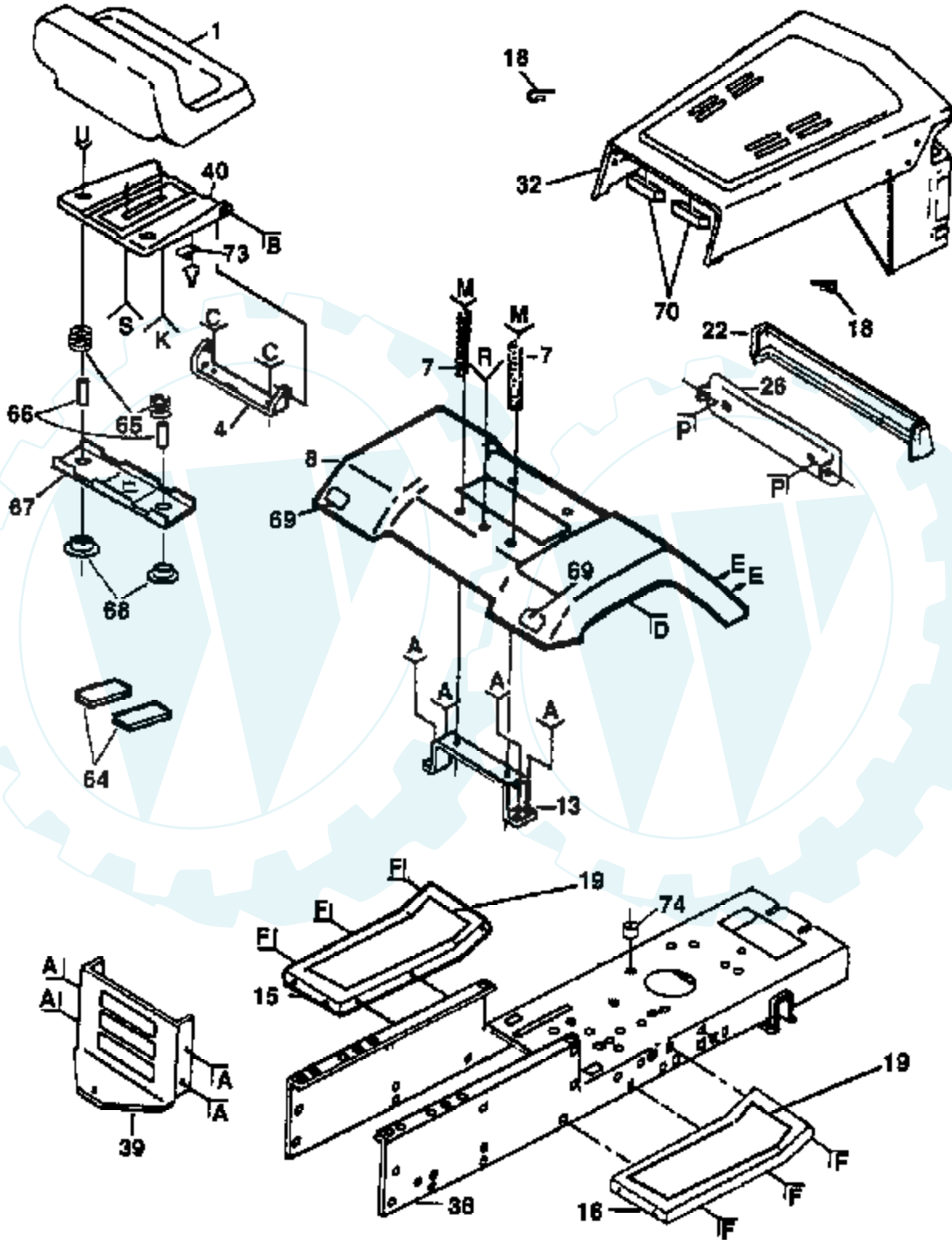
## ELECTRICAL



Ref #	Part Number	Qty	Description
1	121265X		SUB= 123899X
3	108236X		BRACKET LT
4	135574		"HARNESS,IGNITION"
5	4207J		CABLE T
6	4799J		"CABLE T, BATTERY"
7	132202		SUB= 146147
8	129965		SUB= 156417
9	109596X		HOSE CLAMP T
10	109081X		SUB= 146154
11	10090400		SUB= 10040400
12	73350400		NUT
13	74780408		BOLT
14	11050400		LOCKWASHER
15	73510400		NUT
16	131563		SUB= 154336
17	104445X		SWITCH-INTER. GT
18	17021008		SCREW
19	4406R		SUB= STD365402
20	123620X		SUB= 141226
21	124211X		NUT IGNITION
22	121305X		SWITCH SEAT
23	121264X		"CAP,BATTERY "
24	74760412		BOLT LT
25	19091016		WASHER
26	10040400		LOCKWASHER
27	73220400		SUB= 50675
28	7552H		SUB= STD365410
29	108824X		FUSE HYT
30	105687X		SUB= 109238X
32	110712X		SWITCH LT
33	110859X		HARNESS T
34	7662J		SUB= 4152J
35	17021008		SCREW
36	126017X		"SWITCH,PTO"
37	4022J		HEX NUT T

### 14 HP 44" TRACTOR - - MODEL NUMBER T1444C

#### ENCLOSURE



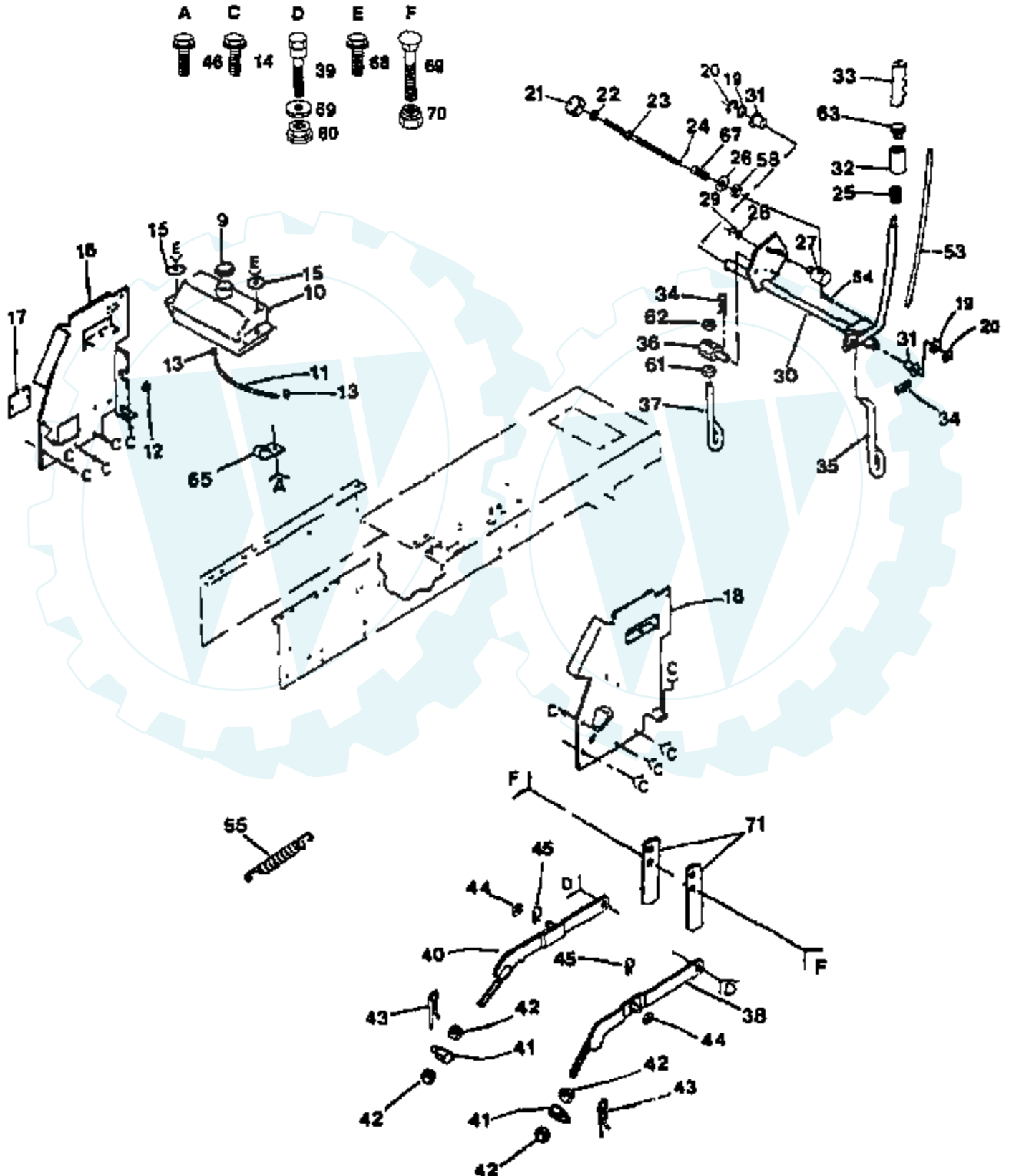
- |   |   |    |    |    |    |    |    |    |   |    |    |    |
|---|---|----|----|----|----|----|----|----|---|----|----|----|
| A | B | C  | D  | E  | F  | K  | M  | P  | R | S  | U  | V  |
| 2 | 5 | 10 | 12 | 10 | 17 | 27 | 3  | 21 | 3 | 14 | 22 | 72 |
| 8 | 6 | 11 | 11 | 9  | 11 | 48 | 39 | 21 | 3 | 14 | 22 | 71 |



Ref #	Part Number	Qty	Description
1	127433		SUB= 140121
2	17490612		SCREW
3	17490616		SCREW GTV
4	126656X		SUB= 140551
5	105529X		SUB= 139888
6	73680500		SUB= 73690500
7	124181X		SPRING COMPRESSIO
8	109872X419		FENDER
9	19131312		WASHER
10	74760612		SUB= 74780612
11	73680600		SUB= 73690600
12	17490608		SCREW LT
13	109873X		SUB= 136619
14	127018X		"BOLT,SHOULDER"
15	105465X419		SUB= 145244X419
16	105464X419		FOOTREST RH
17	72110606		BOLT
18	4921H		SPRING.RETAINER
19	133671		FOOTREST PAD
21	108067X		PAL NUT LT
22	133805		SUB= 133954
24	19131210		WASHER
26	132257		SUB= 918132257
27	74780814		BOLT
32	133956X419		HOOD/GRILL ASM
38	135604		CHASSIS ASM.
39	127866		DRAWBAR LT/YT
40	131451		SUB= 155925
48	10040800		LOCKWASHER
49	19171912		WASHER
59	19131614		WASHER
60	19091216		WASHER PM
62	72050411		SUB= 872050411
63	123976X		SUB= 73900400
64	121251X		STRIP FORM
65	123740X		SPRING COMPRESSED
66	121249X		SPACER SPLIT
67	121246X		BRKT SWITCH
68	121248X		BUSHING
69	106202X		REFLECTOR-TAIL YT
70	1269378X		BUMPER, HOOD
71	73951000		"NUT,KEPS"
72	74641008		SUB= 71031008
73	4171R		CLIP T
74	9151R		SNAP BUSHING T

# 14 HP 44" TRACTOR - - MODEL NUMBER T1444C

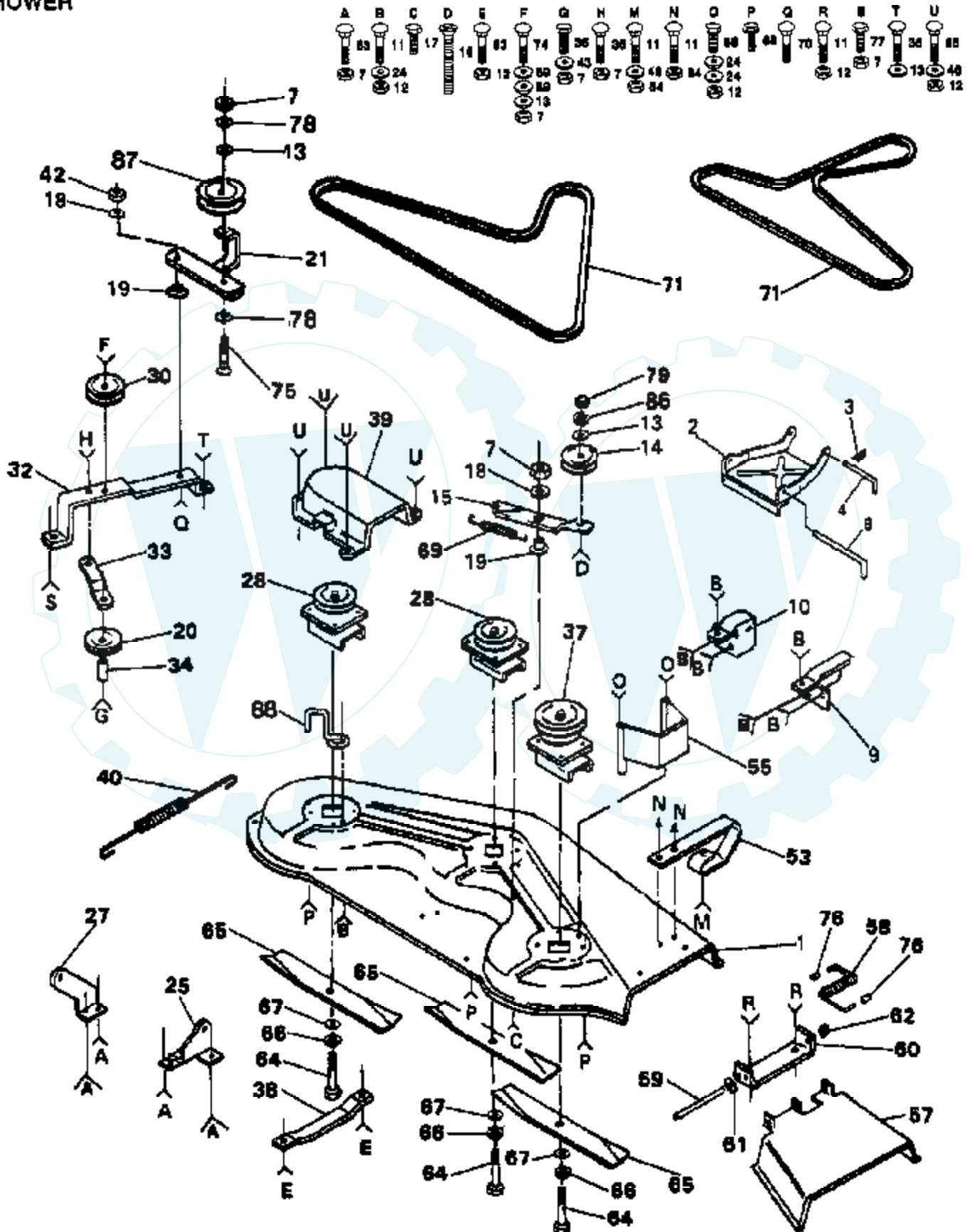
## LIFT ADJUSTMENT



Ref #	Part Number	Qty	Description
9	123549X		SUB= 158990
10	109202X		TANK.FUEL.LT.
11	8548R		FUEL LINE T
12	124028X		SUB= 532124028
13	123487X		HOSE CLAMP
14	17490608		SCREW LT
15	19091416		WASHER
16	122795X		PANEL DASH LH
17	121794X		COVER ACCESS
18	126277X		SUB= 155936
19	19211416		WASHER
20	12000002		SUB= 2225J
21	100734K		SUB= 138057
22	73350600		NUT
23	126971X		SUB= 532126971
24	76020308		SUB= 3145
25	122512X		SUB= 532122512
26	19131016		WASHER
27	110810X		TRUNION LT
28	19151216		WASHER
29	12000037		KLIP RING
30	122507X		SUB= 145117
31	120183X		NYLON BEARING
32	122364X		SUB= 125925X
33	109413X		GRIP
34	4939M		SUB= 85902
35	110029X		LIFT LINK LT
36	110447X		SUB= 132793
37	110448X		PIVOT PIN T
38	121598X		RH SUSP ARM ASM
39	105848X		"BOLT, SHOULDER LT"
40	121599X		LH SUSP ARM ASM
41	106308X		SUB= 130171
42	73220800		NUT
43	9135R		SPRING H
44	19171516		WASHER T
45	4921H		SPRING.RETAINER
46	17490608		SCREW LT
53	122514X		SUB= 136973
54	105767X		PIN-GROOVE LT
55	124446X		SUB= 532124446
58	110807X		NUT T
59	110739X		WASHER T
60	73980600		NUT SPECIAL T
61	73360700		NUT
62	73710700		NUT LOCK YTH
63	124385X		SUB= 125925X
65	5320R		INSUL CLIP T
67	2876H		SPRING T
68	17490412		SCREW HEX CRT
69	72140608		SUB= 72110608
70	73680600		SUB= 73690600
71	121252X		UPSTOP

### 14 HP 44" TRACTOR -- MODEL NUMBER T1444C

#### MOWER



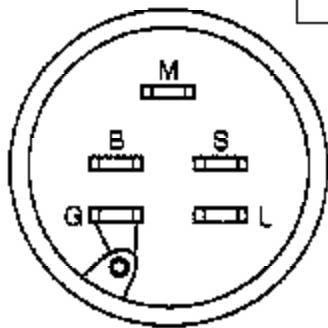
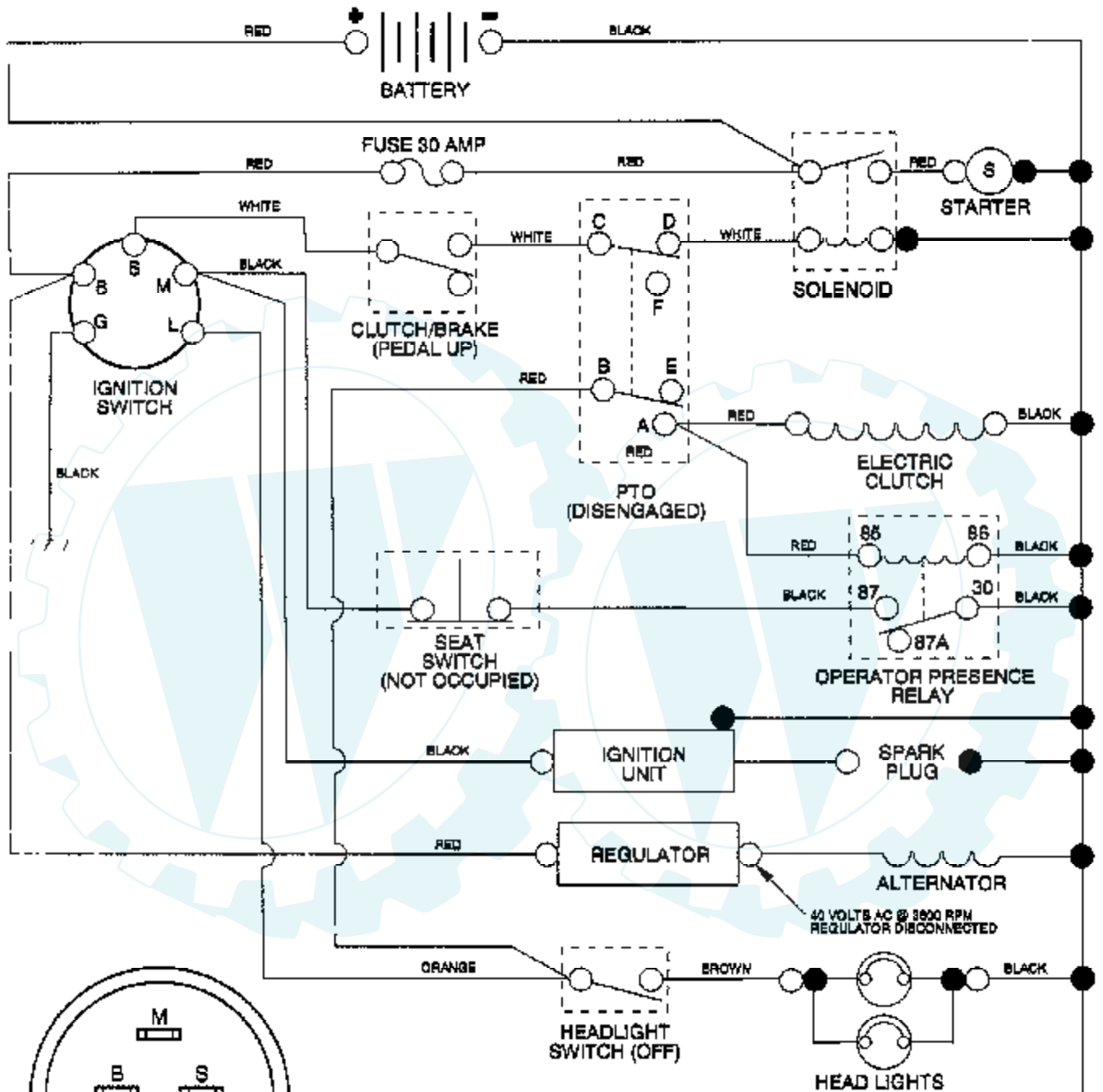
Ref #	Part Number	Qty	Description
1	121423X		SUB= 144729
2	129762		"STOP, LINK PARAL"
3	4921H		SPRING.RETAINER
4	105744X		"ROD, FRT. PARAL T"
7	73680600		SUB= 73690600
8	109835X		HINGE PIN T
9	106512X		BRACKET RH YT
10	106511X		BRACKET LH YT
11	72140506		BOLT
12	73680500		SUB= 73690500
13	19131614		WASHER
14	102932X		IDLER.FLAT.GTV
15	106526X		ARM-IDLER YT
16	74110632		SCREW YT
17	74760620		SUB= 74780620
18	106513X		"WASHER, WEAR LT"
19	106902X		SPACER RETAINER
20	102403X		IDLER-FLAT T
21	121425X		ARM IDLER
24	19111216		WASHER M
25	123807X		BRKT SUSP REAR RH
27	123808X		BRKT SUSP REAR LH
28	121622X		SUB= 136819
30	677A451		IDLER-INSIDE T
32	106523X		"SUPPORT YT, BAR"
33	106522X		BRACE-IDLER YT
34	121236X		SPACER
35	74760648		BOLT - HEX 3/8 - 16 X 3
36	72140608		SUB= 72110608
37	121704X		SUB= 121705X
38	7631J		RUNNER-LH M
39	106214X		GUARD YT
40	102727X		"SPRING.EXT.8.5""
42	73930600		LOCKNUT
43	19131316		WASHER
46	19111116		WASHER
53	8418J		SUB= 136321
55	108119X		GUARD BELT HYT
56	74760580		BOLT
57	109785X		DEFLECTOR SHIELD
58	106734X		SUB= 123713X
59	106735X		ROD-HINGE T
60	109743X		SUB= 137607
61	19111016		WASHER
62	110452X		NUT PUSH M
63	72140606		BOLT
64	74610624		BOLT.3/8-24X1-1/2
65	106635X		SUB= 25034
66	10030600		SUB= 10040600
67	19132012		WASHER
68	17490612		SCREW
69	7644J		SPRING T
70	72140612		BOLT
71	106085X		BELT-V.79.1.MWR
74	72140614		BOLT
75	72140620		BOLT
76	105304X		CAP-SLEEVE LT
77	74760616		BOLT

Ref #	Part Number	Qty	Description
78	19131210		WASHER
79	73220600		NUT.HEX.3/8-16UNC
83	72110505		BOLT
84	1685H		SUB= 68478
85	72110506		SUB= 72270506
86	10040600		LOCKWASHER
87	121316X		PULLEY IDLER
88	121352X		BELT RETIANER
89	19131410		WASHER
	121826X		SUB= 532131508



# 14 HP 44" TRACTOR - - MODEL NUMBER T1444C

## SCHEMATIC

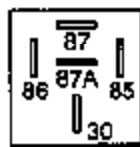


IGNITION SWITCH

POSITION	CIRCUIT
OFF	M + G
ON	B + L
START	B + S

### WIRING INSULATED CLIPS

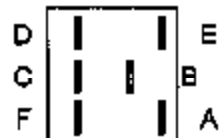
NOTE: IF WIRING INSULATED CLIPS WERE REMOVED FOR SERVICING OF UNIT, THEY SHOULD BE REPLACED TO PROPERLY SECURE YOUR WIRING



RELAY

- NON-REMOVABLE CONNECTIONS
- REMOVABLE CONNECTIONS

PTO SWITCH	
POSITION	CIRCUIT
OFF	B + E, C + D
ON	B + A, C + F



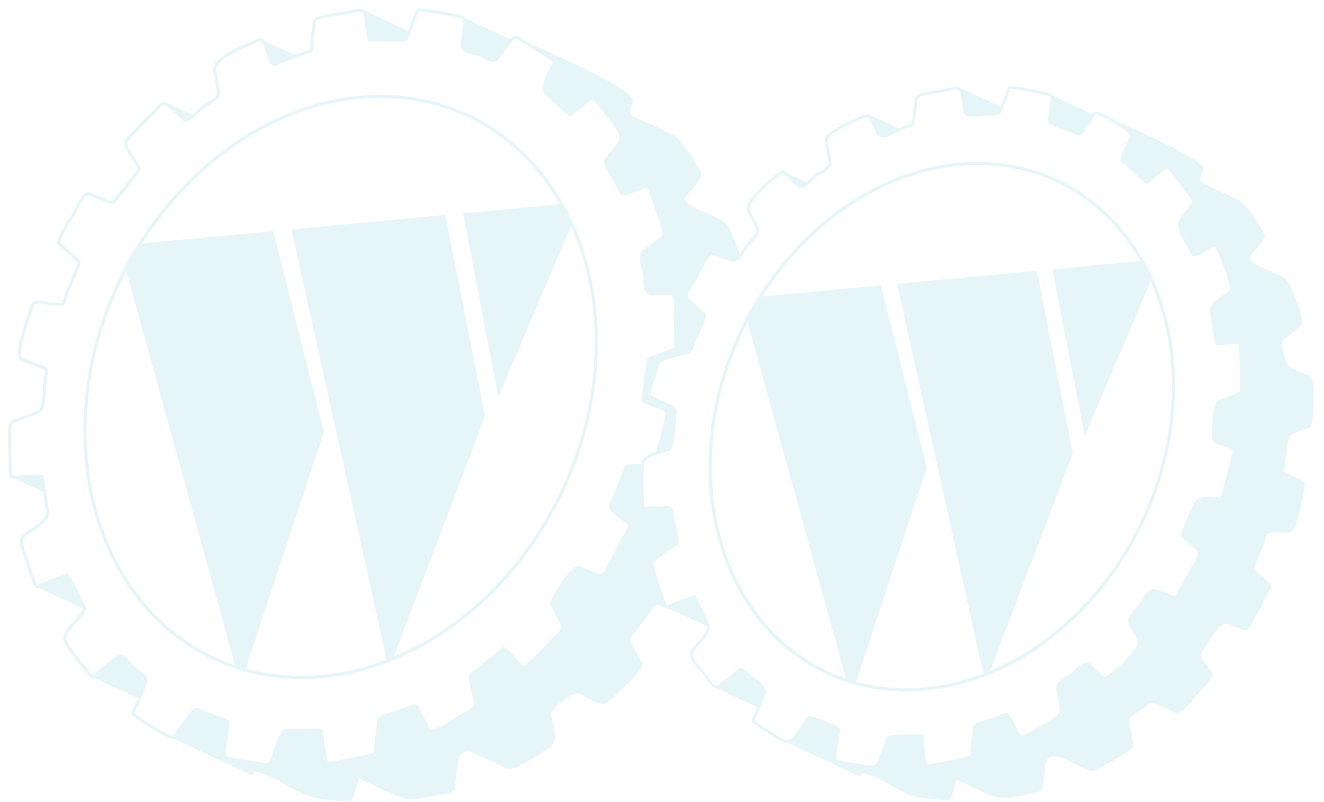
---

Ref # Part Number

Qty Description

REFER TO IMAGE

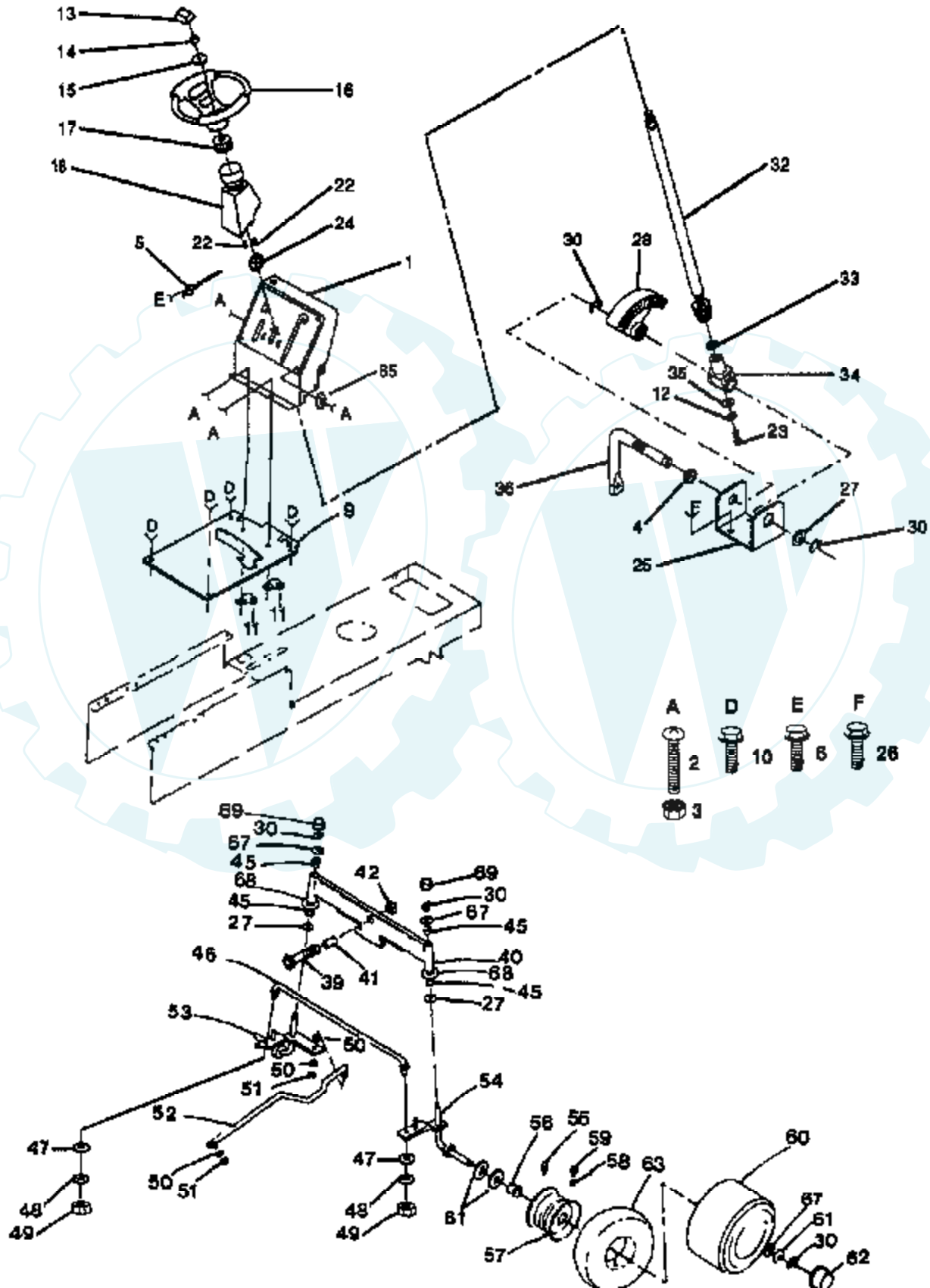
---





### 14 HP 44" TRACTOR - - MODEL NUMBER T1444C

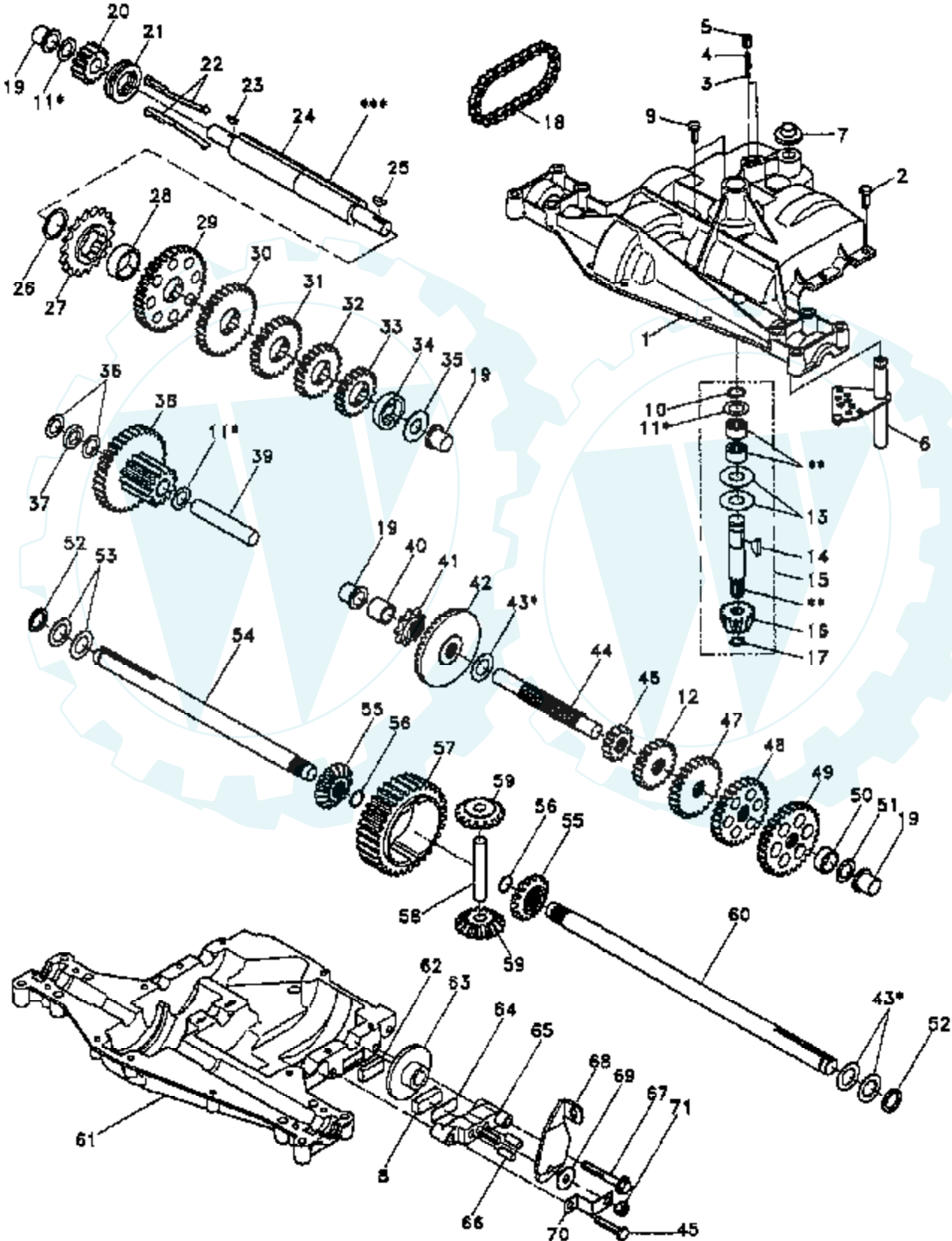
#### STEERING AND FRONT AXLE



Ref #	Part Number	Qty	Description
1	124650X012		DASH
2	74180512		SCREW
3	73510500		NUT
4	109816X		NYLINER T
5	132772		SUB= 132771
6	17720410		SCREW LT
9	124464X013		SADDLE
10	17490608		SCREW LT
11	2751R		CLIP T
12	10040400		LOCKWASHER
13	100410L		INSERT, STEERING WHEEL
14	7810H		GRIPCO NUT
15	19133808		WASHER T
16	100713N		SUB= 150547
17	104820X		ADAPTER-WHEEL LT
18	124418X		"TUBE, STR SHAFT"
22	17431008		SUB= 98000165
23	71070410		"SCREW,SPECIAL"
24	132196		SUB= 155106
25	124036X		"BRKT,STEERING"
26	17490612		SCREW
27	6266H		WASHER .T
28	124034X		SUB= 136874
30	12000029		RING
32	132615		SUB= 132614
33	57079		THRUST WASHER
34	124035X		SUPPORT.SHAFT
35	126684X		SUB= 532126684
36	127501		SUB= 918127501
39	74761060		BOLT LT
40	105669X		SUB= 108075X
41	110438X		BEARING
42	73601000		SUB= 73901000
45	3366R		COL. SRTG. BEAR.
46	130467		TIE ROD
47	19111216		WASHER M
48	10040500		LOCKWASHER
49	73810500		NUT.LOCK.5/16-24
50	10040600		LOCKWASHER
51	73610600		SUB= 7810H
52	130468		SUB= 532130468
53	130460		SUB= 532130460
54	130459		SPINDLE ASM RH
55	278H		FITTING LT
56	9040H		"FLANGE, BEARING"
57	106732X311		SUB= 106732X427
58	59192		VALVE CAP
59	65139		VALVE STEM LT
60	106222X		SUB= 122073X
61	121749X		WASHER
62	104757X		HUB CAP
63	59904		TUBE.5.3/4.5/6
65	11050500		LOCKWASHER.5/16.E
67	121748X		WASHER
68	19272016		WASHER
69	121232X		CAP

### 14 HP 44" TRACTOR - - MODEL NUMBER T1444C TRANSAXLE FOOTE-MODEL NUMBER 4360-37

#### TRANSAXLE



Ref #	Part Number	Qty	Description
1	3865-A		HOUSING UPPER
2	1919		SCREW
3	5112		BALL, DETENT
4	3626		SPRING, DETENT
5	3623		SCREW, SET
6	4601		KIT SHIFTER ASSY
7	5024		BOOT, SHIFTER
8	3907		PUCK, FRICTION
9	5131		SCREW TAPPING WITH SEALER
10	1099		RING RETAINING
11	4689		ASSY, KIT, SHIM .625 SHAFT
12	3707		GEAR SPUR, 15 TEETH
13	3876		WASHER, PLAIN .632 X 1.38 X .046
14	1374		KEY WOODRUFF #9
15	4171		ASSY KIT INPUT SHAFT
16	3725		PINION BEVEL 14 TEETH
17	3624		RING, RETAINING
18	3625		CHAIN, 24 PITCHES
19	1542		BEARING, FLANGE
20	3773		GEAR SPUR, 14 TEETH
21	3631		COLLAR CLUTCH
22	5266		KEY CLUTCH
23	1369		KEY WOODRUFF #3
24	3883		SHAFT INTERMEDIATE
25	1375		KEY, WOODRUFF, #61
26	3627		RING, RETAINING
27	3830		SPROCKET, 18 TEETH
28	3841		SPACER
29	3786		GEAR, SPUR, 37 TEETH
30	3785		GEAR, SPUR, 35 TEETH
31	3867		GEAR, SPUR, 30 TEETH
32	3783		GEAR, SPUR, 25 TEETH
33	3869		GEAR, SPUR, 22 TEETH
34	5202		GEAR, SPUR, 19 TEETH
35	3628		WASHER, PLAIN .640 X 1.37 X .061
36	1423		WASHER, PLAIN .632 X 1.00 X .026
37	3422		SPACER .630 X 1.00 X .169
38	4286		ASSY GEAR COMB 12&35 TEETH
39	3967		SHAFT, IDLER
40	3901		SPACER .635 X .875 X .755
41	3645		SPROCKET, 9 TEETH
42	3589		GEAR, BEVEL, 42 TEETH
43	4691		ASSY, KIT, SHIM .750 SHAFT
44	3882		SHAFT, DRIVE
45	3724		SCREW TAPPING
46	3646		GEAR, SPUR, 12 TEETH
47	3866		GEAR, SPUR, 20 TEETH
48	3719		GEAR, SPUR, 25 TEETH
49	3868		GEAR, SPUR, 28 TEETH
50	3683		GEAR, SPUR, 31 TEETH
51	1145		WASHER, PLAIN .632 X 1.00 X .060
52	5130		WASHER, NEOPRENE
53	3184		WASHER, PLAIN .758 X 1.25 X .031
54	3880		AXLE LEFT HAND
55	3871		GEAR MITER 15 TEETH
56	3656		RING, RETAINING
57	3839		GEAR, SPUR, 32 TEETH
58	3919		SHAFT, CROSS

Ref #	Part Number	Qty	Description
59	3726		GEAR, MITER, 15 TEETH
60	3881		AXLE, R.H.
61	3864-B		HOUSING LOWER
62	3920		PUCK, FRICTION
63	3276		DISC, BRAKE
64	3758		SPACER
65	3916		JAW, BRAKE
66	3843		PIN, DOWEL
67	5120		SCREW, SELF-TAPPING
68	3768		LEVER, ACTUATING
69	3760		WASHER, PLAIN .321 X 1.00 X .055
70	3917		BRACKET, ANTI-ROTATION
71	3847		LOCKNUT 5/16-24
72	4300		GREASE

