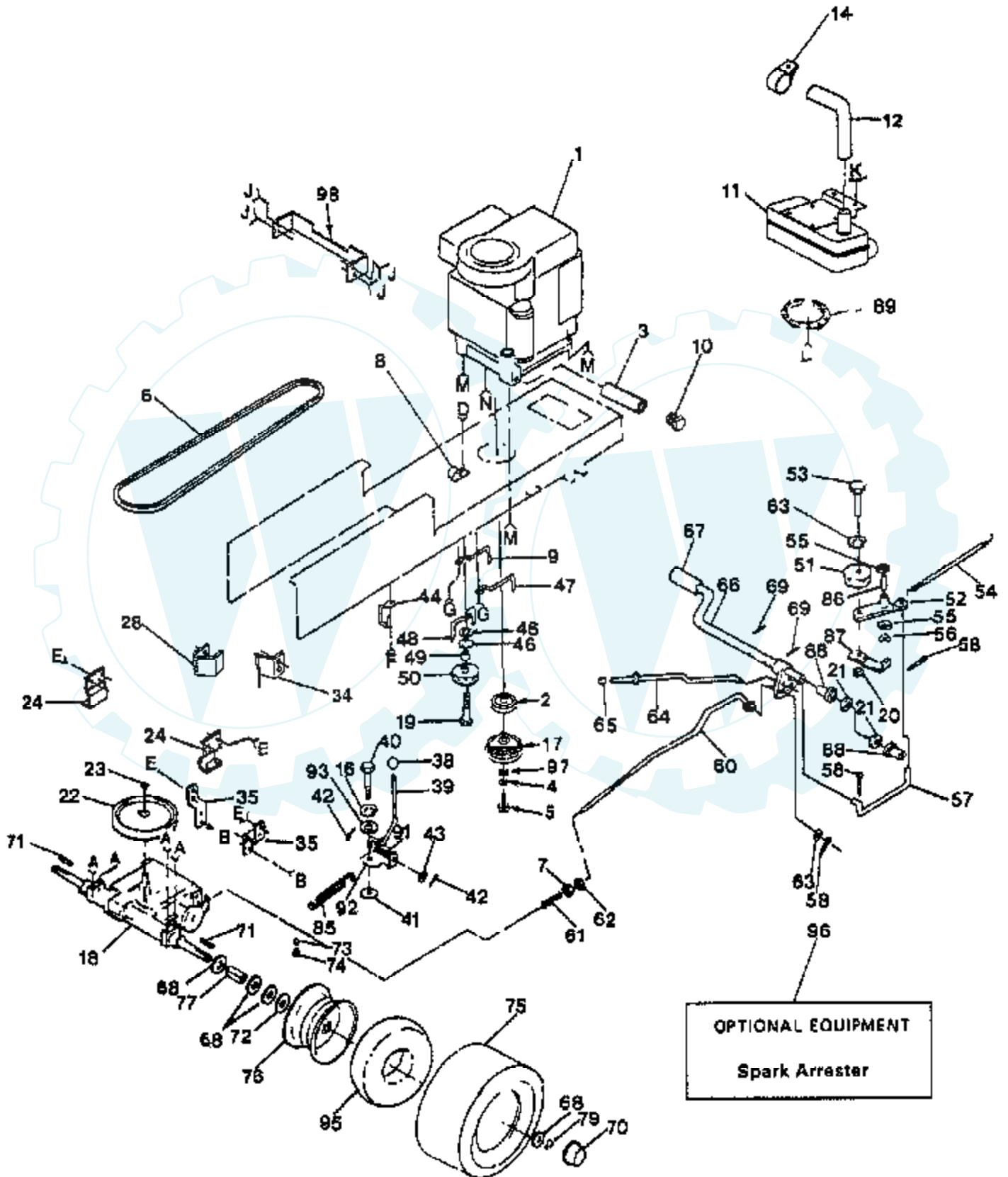


Ref #	Part Number	Qty	Description
13	19112016		WASHER
15	17490620		SCREW
19	74760644		BOLT
20	73680600		SUB= 73690600
25	74760616		BOLT
26	17490512		SCREW
36	74760612		SUB= 74780612
45	17490612		SCREW
46	19131312		WASHER
84	72140506		BOLT
90	17030808		SUB= 17030814
94	11050600		LOCKWASHER



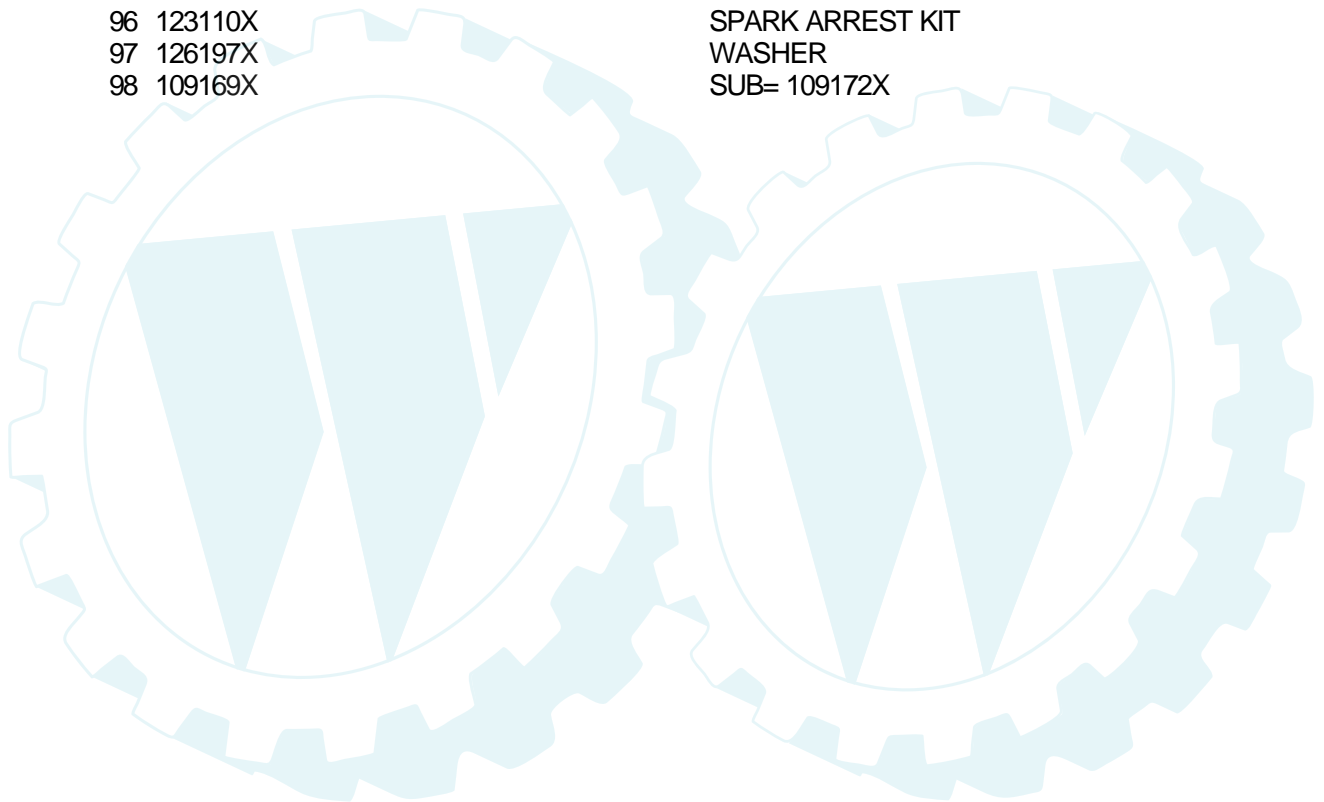
14 H.P. 44" LAWN TRACTOR - MODEL NUMBER T1444B

DRIVE



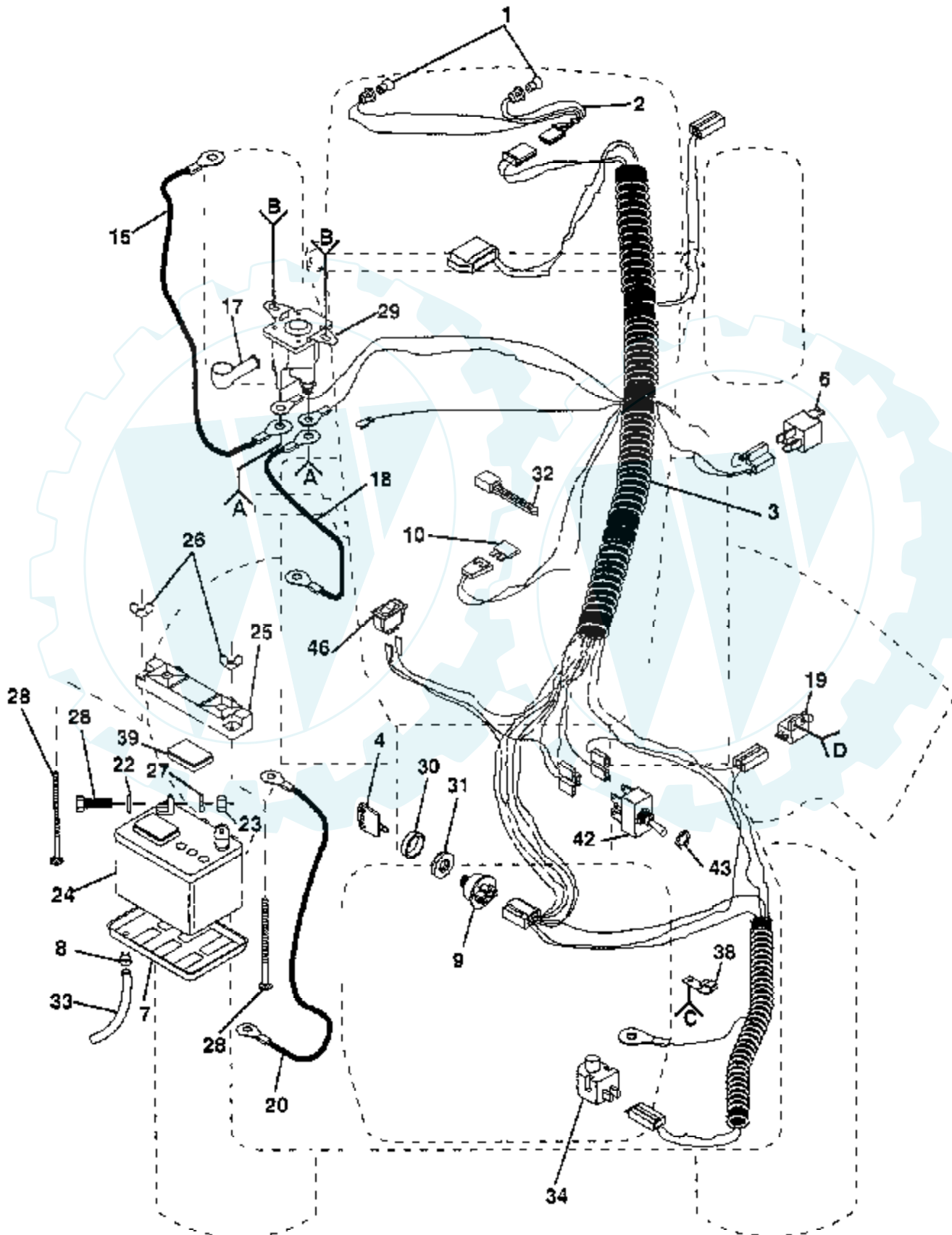
Ref #	Part Number	Qty	Description
1	124401X		ENGINE
2	109841X		SUB= 136905
3	127222X		SUB= 134468
4	10040700		LOCKWASHER
5	71130768		"BOLT,HEX"
6	125907X		BELT-V.90.0.GD.DR
7	73800600		NUT
8	2751R		CLIP T
9	121218X		KEEPER BELT ENGLH
10			CHECK WITH SUPPLIER
11	123941X		MUFFLER
12	123920X		"TUBE,EXHAUST"
14	125589X		"CLAMP,MUFFLER"
16	10040400		LOCKWASHER
17	108218X		SUB= 142600
18	120898X		SUB= 137367
19	74760644		BOLT
20	73680600		SUB= 73690600
21	19211616		WASHER LT
22	123666X		PULLEY TRANS
23	12000028		SUB= 2267J
24	109167X		BRACKET LT
28	127275X		"KEEPER,BELT LH T"
34	127274X		"KEEPER,BELT RH T"
35	121520X		STRAP TORQUE
38	106279X		CONTROL KNOB LT
39	124461X		ROD SHIFTER
40	71040412		SUB= 74550412
41	105701X		WASH-SHFT PLT LT
42	76020416		PIN COTTER 1/8
43	19151216		WASHER
44	104777X		SUB= 140312
46	19131312		WASHER
47	105730X		"KEEPER,BLT ENG LT"
48	109070X		BELT KEEPER LT
49	4470J		SPACER T
50	123674X		PULLEY.IDLER.FLAT
51	123766X		SUB= 139245
52	123789X		ARM IDLER
53	74760624		SUB= 74930624
54	105709X		"SPRING, RETURN LT"
55	110812X		WASHER LT
56	12000039		KLIP RING
57	105710X		"LINK, CLUTCH T"
58	76020412		COTTER PIN
60	110437X		BRAKE ROD LT
61	106888X		SPRING ROD LT
62	73350600		NUT
63	19131316		WASHER
64	125638X		SUB= 128904
65	7733J		SUB= 71673
67	8883R		PEDAL COVER T
68	121749X		WASHER
69	1572H		SUB= 2882J
70	104757X		HUB CAP
71	123583X		SQUARE KEY
72	121748X		WASHER
73	59192		VALVE CAP

Ref #	Part Number	Qty	Description
74	65139		VALVE STEM LT
75	122082X		SUB= 918122082X
76	106108X311		SUB= 106108X427
77	109502X		SPACER LT
79	12000001		E-RING LT
85	110422X		SUB= 146682
86	105706X		"LY, BEARING"
87	123205X		RETAIN BELT
88	120183X		NYLON BEARING
89	101326L		DEFLECTOR.222573
91	105700X		SPRING LT
92	106919X		PLATE SHIFT LT
93	19091210		WASHER LT
95	7152J		TUBE.18X9.5-8
96	123110X		SPARK ARREST KIT
97	126197X		WASHER
98	109169X		SUB= 109172X

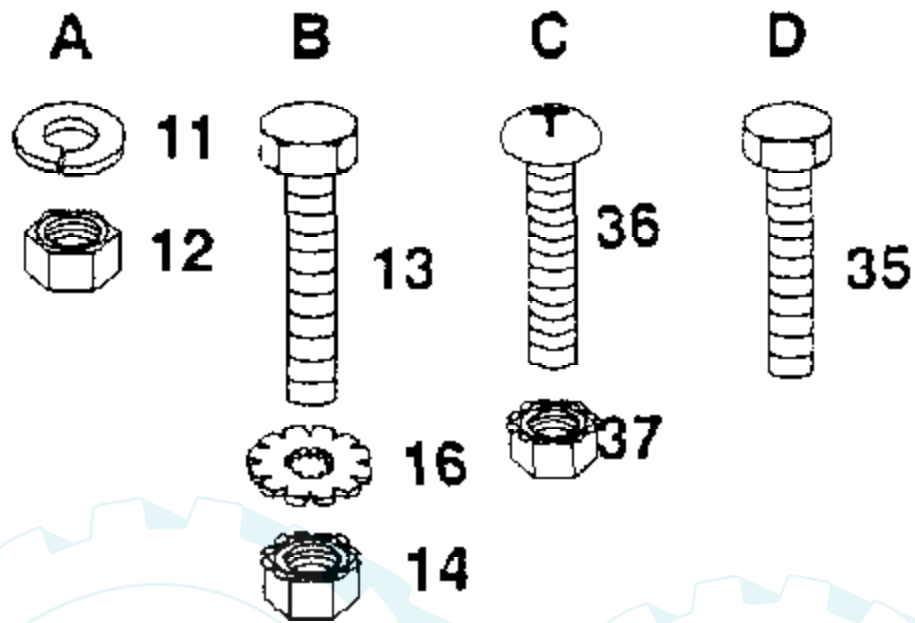


14 HP 44" LAWN TRACTOR - MODEL NUMBER T1444B

ELECTRICAL



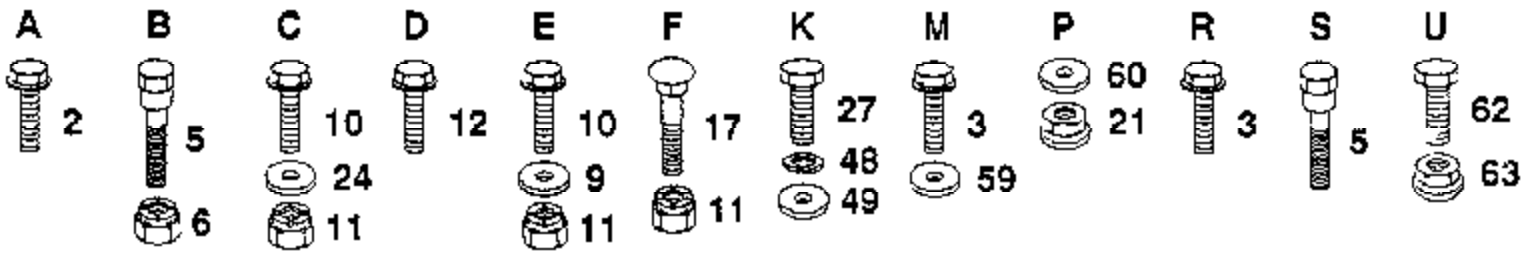
Ref #	Part Number	Qty	Description
1	7662J		SUB= 4152J
2	110859X		HARNESS T
3	126751X		HARNESS
4	7552H		SUB= STD365410
6	109748X		RELAY ASSY T
7	7603J		"TRAY T, BATTERY"
8	109596X		HOSE CLAMP T
9	4406R		SUB= STD365402
10	108824X		FUSE HYT
15	2033J		SUB= 2955J
17	719J		SUB= 154336
18	5114J		STARTER CABLE GT
19	104445X		SWITCH-INTER. GT
20	5907J		SUB= 597J
22	19091016		WASHER
23	73220400		SUB= 50675
24	121537X		SUB= 123899X
25	102476X		SUB= 150109
26	123198X		SUB= 146525
27	10040400		LOCKWASHER
28	72240460		BOLT
29	109081X		SUB= 146154
30	109787X		SUB= 147626
31	109788X		SUB= 124211X
32	7192J		WIRE TIE
33	105687X		SUB= 109238X
34	121305X		SWITCH SEAT
38	4171R		CLIP T
39	121264X		"CAP,BATTERY "
42	109626X		SWITCH T
43	4022J		HEX NUT T
46			UNKNOWN
	121549X		DECAL
	101539X		SHEET INSTR LT
	129469		OWNER'S MANUAL



NOTE: All component dimensions given in U.S. inches
1 inch = 25.4 mm

Ref #	Part Number	Qty	Description
11	10090400		SUB= 10040400
12	73350400		NUT
13	74780408		BOLT
14	73510400		NUT
16	11050400		LOCKWASHER
35	17021008		SCREW
36	74641008		SUB= 71031008
37	73951000		"NUT,KEPS"
	121549X		DECAL
	101539X		SHEET INSTR LT
	129469		OWNER'S MANUAL



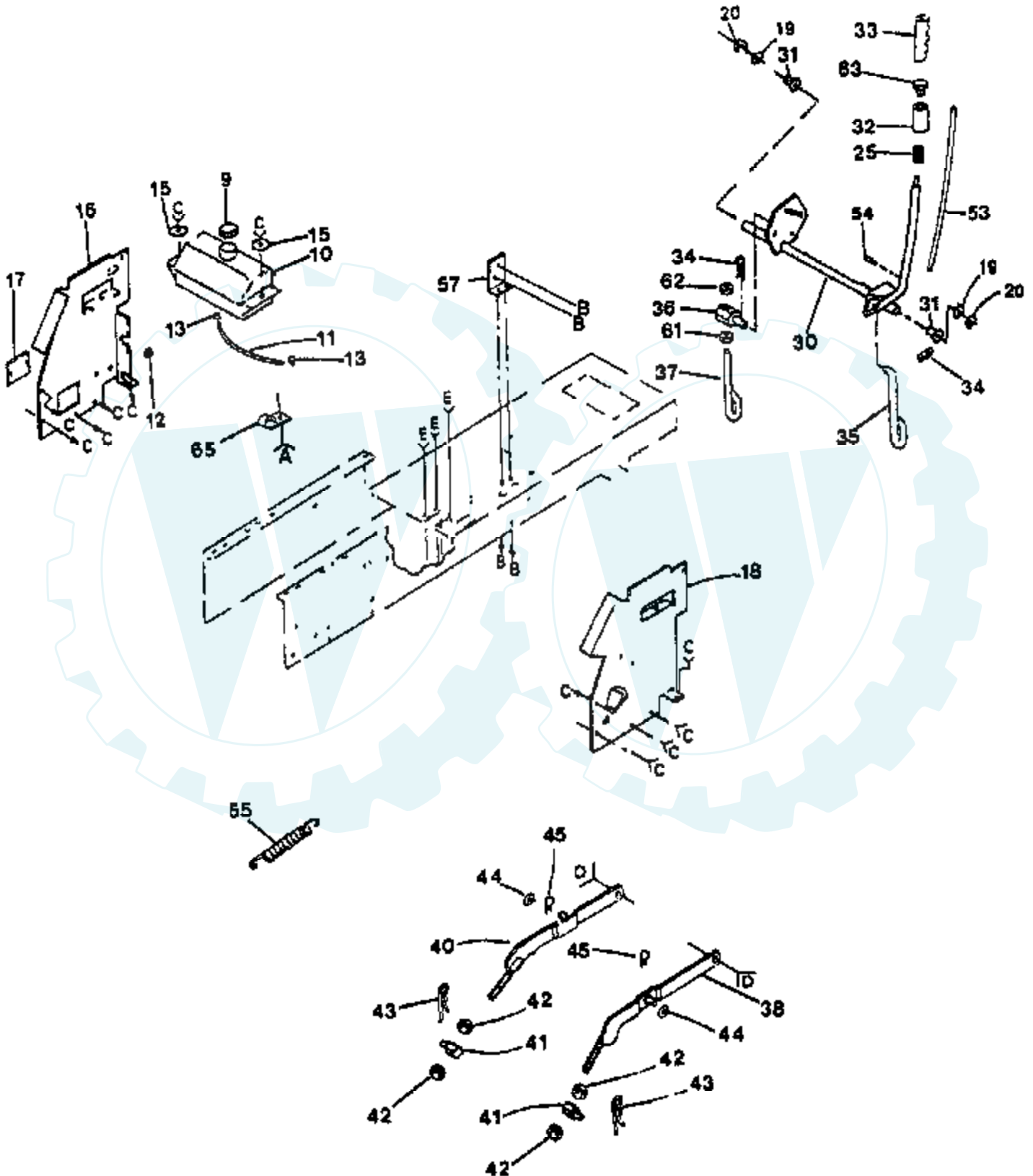


Ref #	Part Number	Qty	Description
2	17490612		SCREW
3	17490616		SCREW GTV
5	105529X		SUB= 139888
6	73680500		SUB= 73690500
9	19131312		WASHER
10	74760612		SUB= 74780612
11	73680600		SUB= 73690600
12	17490608		SCREW LT
17	72110606		BOLT
21	108067X		PAL NUT LT
24	19131210		WASHER
27	74780814		BOLT
48	10040800		LOCKWASHER
49	19171912		WASHER
59	19131614		WASHER
60	19091216		WASHER PM
62	72170410		BOLT
63	123976X		SUB= 73900400
	126171X		"DECAL,GRILL"
	126657X		NLA
	126658X		DECAL.STRIPE.GR
	101892X		DECAL T
	126311X		"DECAL,GRILL HP T"
	109199X		SUB= 146046
	126625X		DECAL, HOOD R.H.
	126626X		DECAL, HOOD L.H.
	106974X		SUB= 133796
	126628X		"DECAL,FENDER T"

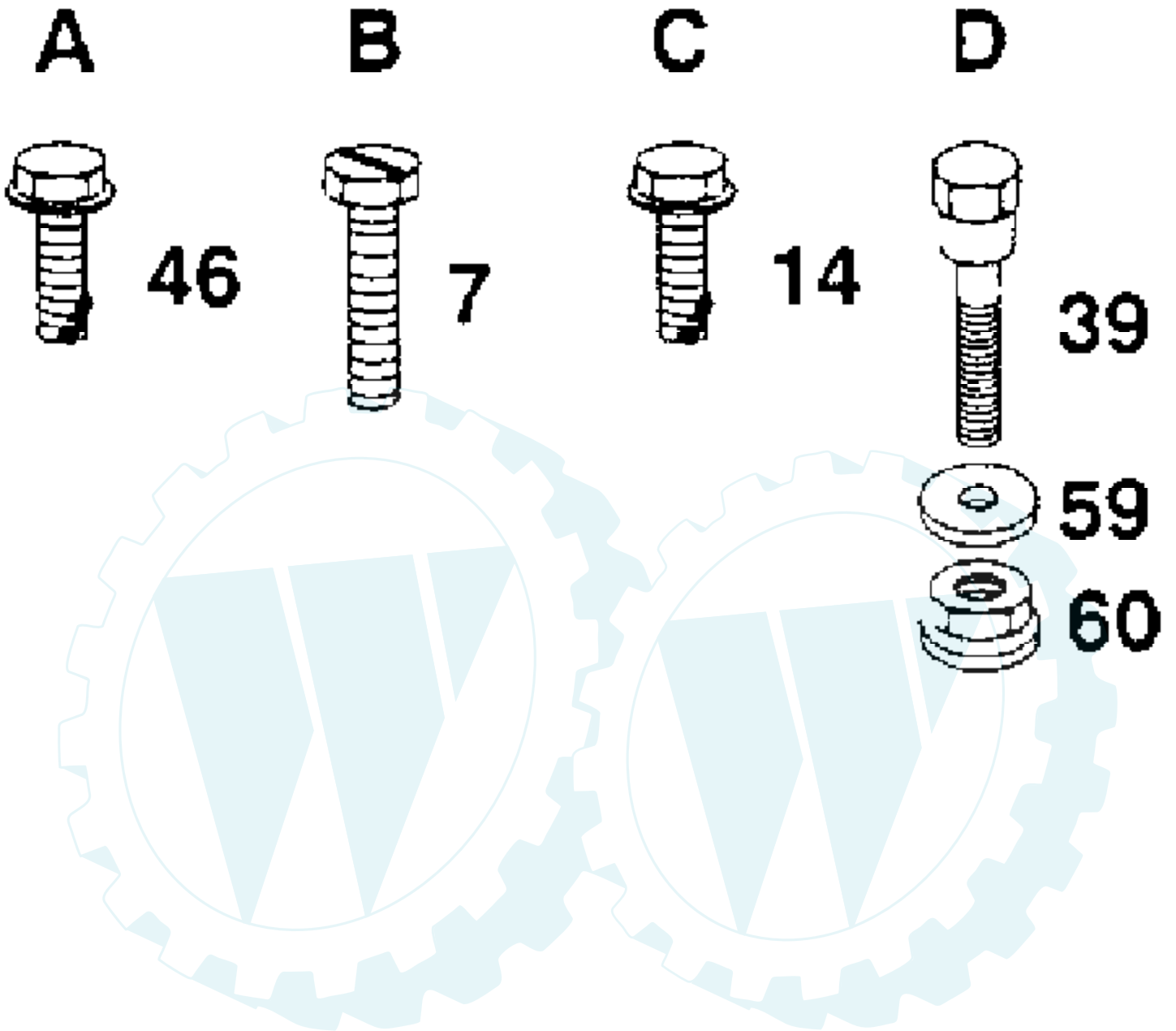
Ref #	Part Number	Qty	Description
1	127433		SUB= 140121
4	126656X		SUB= 140551
7	124181X		SPRING COMPRESSIO
8	109872X419		FENDER
13	109873X		SUB= 136619
15	105465X419		SUB= 145244X419
16	105464X419		FOOTREST RH
18	4921H		SPRING.RETAINER
19	128866		"PAD,FOOTREST"
22	124400X		SUB= 133954
26	110897X		SUB= 132257
32	126349X419		HOOD&GRILL ASSY
38	127866		DRAWBAR LT/YT
39	127225X		CHASSIS ASSY
40	124294X		SUB= 155925
64	121251X		STRIP FORM
65	123740X		SPRING COMPRESSED
66	121249X		SPACER SPLIT
67	121246X		BRKT SWITCH
68	121248X		BUSHING
69	106202X		REFLECTOR-TAIL YT
	126171X		"DECAL,GRILL"
	126657X		NLA
	126658X		DECAL.STRIPE.GR
	101892X		DECAL T
	126311X		"DECAL,GRILL HP T"
	109199X		SUB= 146046
	126625X		DECAL, HOOD R.H.
	126626X		DECAL, HOOD L.H.
	106974X		SUB= 133796
	126628X		"DECAL,FENDER T"

14 H.P. 44" LAWN TRACTOR - MODEL NUMBER T1444B

LIFT ADJUSTMENT



Ref #	Part Number	Qty	Description
9	123549X		SUB= 158990
10	109202X		TANK.FUEL.LT.
11	8548R		FUEL LINE T
12	124028X		SUB= 532124028
13	123487X		HOSE CLAMP
15	19091416		WASHER
16	122795X		PANEL DASH LH
17	121794X		COVER ACCESS
18	126276X		SUB= 155936
19	19211416		WASHER
20	12000002		SUB= 2225J
25	122512X		SUB= 532122512
30	122507X		SUB= 145117
31	120183X		NYLON BEARING
32	122364X		SUB= 125925X
33	109413X		GRIP
34	4939M		SUB= 85902
35	110029X		LIFT LINK LT
36	110447X		SUB= 132793
37	110448X		PIVOT PIN T
38	121598X		RH SUSP ARM ASM
40	121599X		LH SUSP ARM ASM
41	106308X		SUB= 130171
42	73220800		NUT
43	9135R		SPRING H
44	19171516		WASHER T
45	4921H		SPRING.RETAINER
53	122514X		SUB= 136973
54	105767X		PIN-GROOVE LT
55	124446X		SUB= 532124446
57	108236X		BRACKET LT
61	73360700		NUT
62	73710700		NUT LOCK YTH
63	124385X		SUB= 125925X
65	5320R		INSUL CLIP T

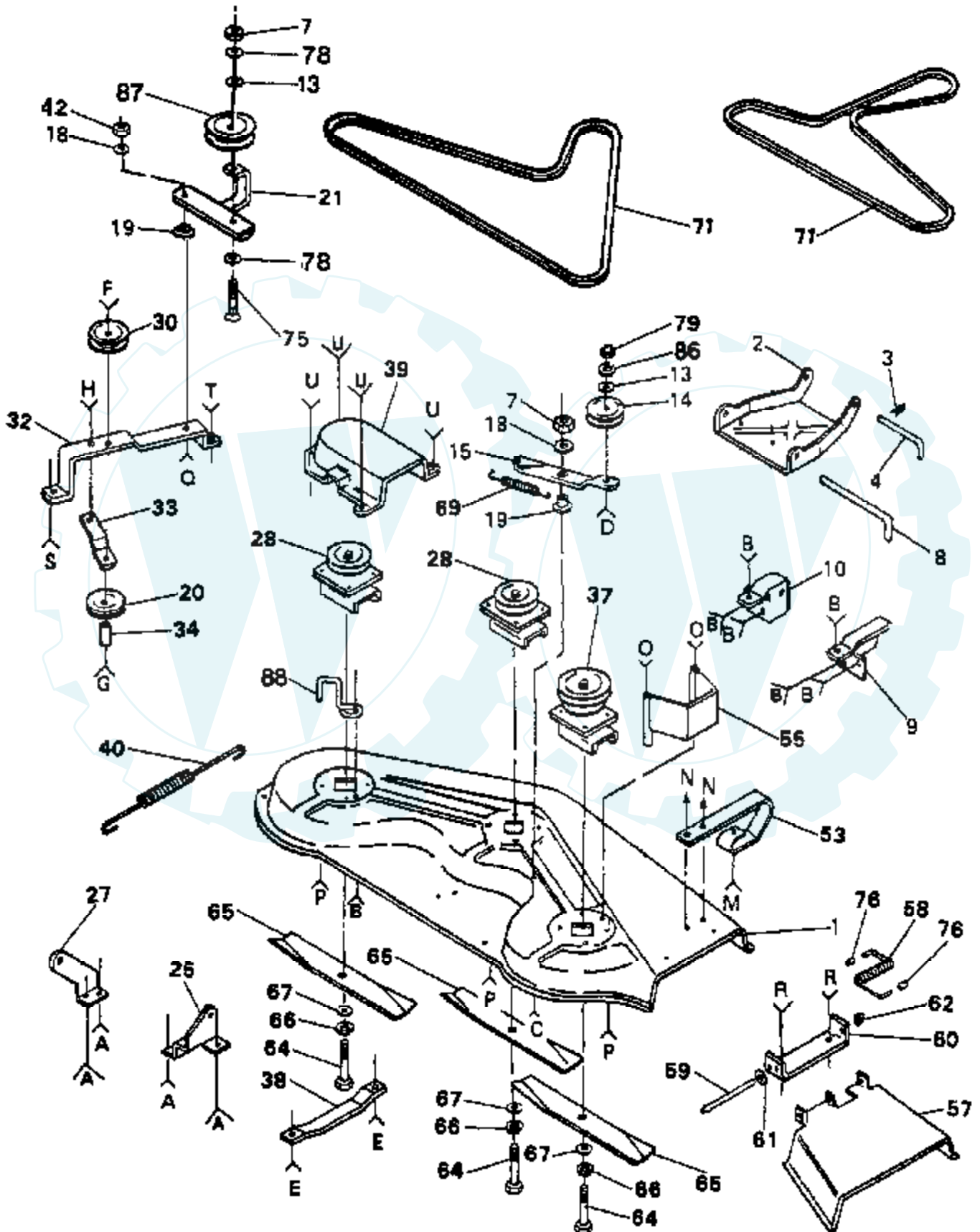


Ref #	Part Number	Qty	Description
7	17021008		SCREW
14	17490412		SCREW HEX CRT
39	105848X		"BOLT, SHOULDER LT"
46	17490608		SCREW LT
59	110739X		WASHER T
60	73980600		NUT SPECIAL T

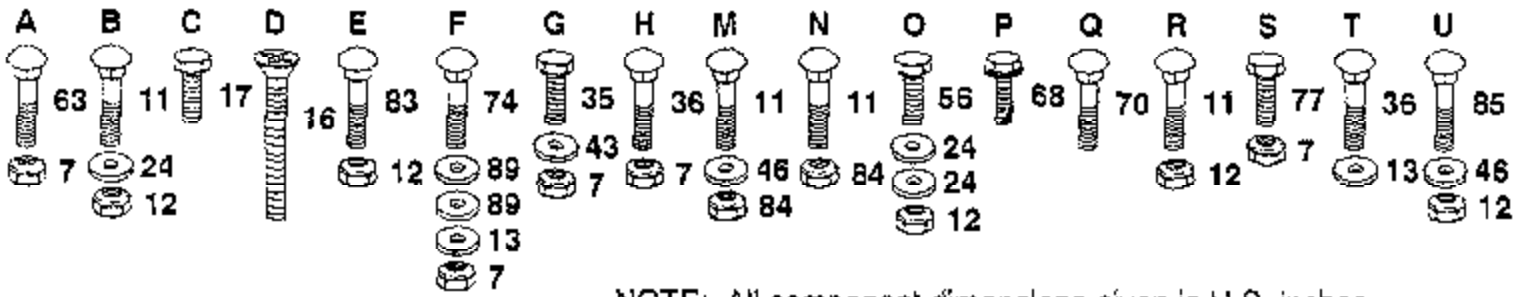


14 HP 44" LAWN TRACTOR -- MODEL NUMBER T1444B

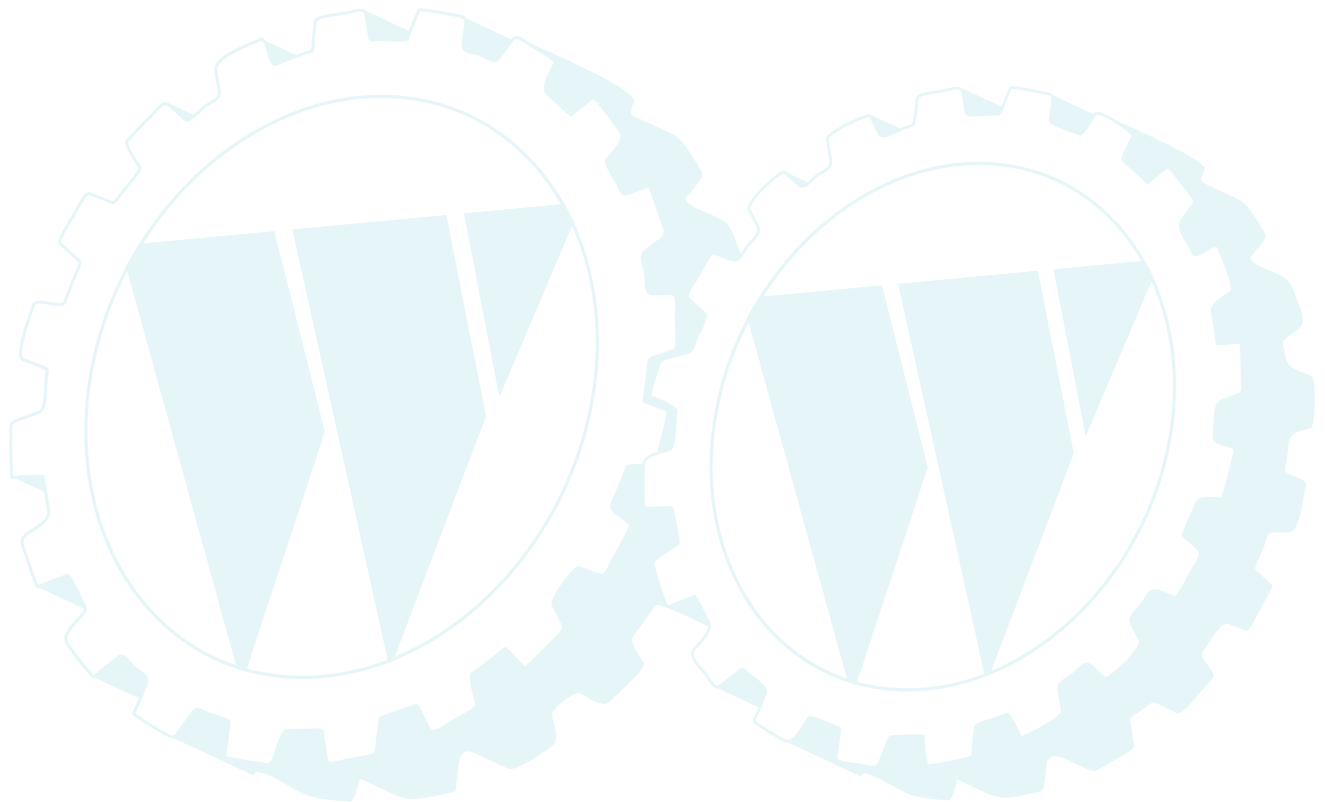
MOWER



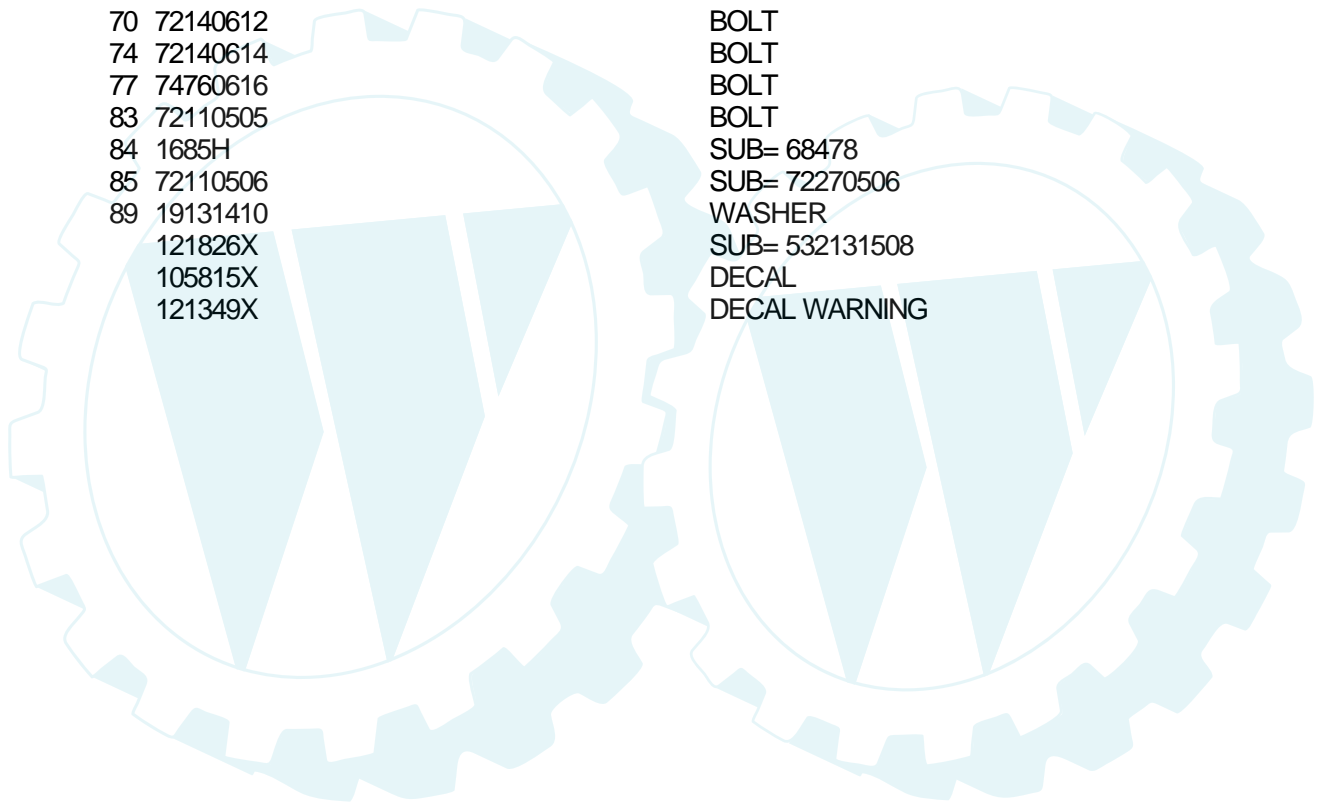
Ref #	Part Number	Qty	Description
1	121423X		SUB= 144729
2	129762		"STOP, LINK PARAL"
3	4921H		SPRING.RETAINER
4	105744X		"ROD, FRT. PARAL T"
7	73680600		SUB= 73690600
8	109835X		HINGE PIN T
9	106512X		BRACKET RH YT
13	19131614		WASHER
14	102932X		IDLER.FLAT.GTV
15	106526X		ARM-IDLER YT
18	106513X		"WASHER, WEAR LT"
19	106902X		SPACER RETAINER
20	102403X		IDLER-FLAT T
21	121425X		ARM IDLER
25	123807X		BRKT SUSP REAR RH
27	123808X		BRKT SUSP REAR LH
28	121622X		SUB= 136819
30	677A451		IDLER-INSIDE T
32	106523X		"SUPPORT YT, BAR"
33	106522X		BRACE-IDLER YT
34	121236X		SPACER
37	121704X		SUB= 121705X
38	7631J		RUNNER-LH M
39	106214X		GUARD YT
40	102727X		"SPRING.EXT.8.5""
42	73930600		LOCKNUT
53	8418J		SUB= 136321
55	108119X		GUARD BELT HYT
57	109785X		DEFLECTOR SHIELD
58	106734X		SUB= 123713X
59	106735X		ROD-HINGE T
60	109743X		SUB= 137607
61	19111016		WASHER
62	110452X		NUT PUSH M
64	74610624		BOLT.3/8-24X1-1/2
65	106635X		SUB= 25034
66	10030600		SUB= 10040600
67	19132012		WASHER
69	7644J		SPRING T
71	106085X		BELT-V.79.1.MWR
75	72140620		BOLT
76	105304X		CAP-SLEEVE LT
78	19131210		WASHER
79	73220600		NUT.HEX.3/8-16UNC
86	10040600		LOCKWASHER
87	121316X		PULLEY IDLER
88	121352X		BELT RETIANER
	121826X		SUB= 532131508
	105815X		DECAL
	121349X		DECAL WARNING

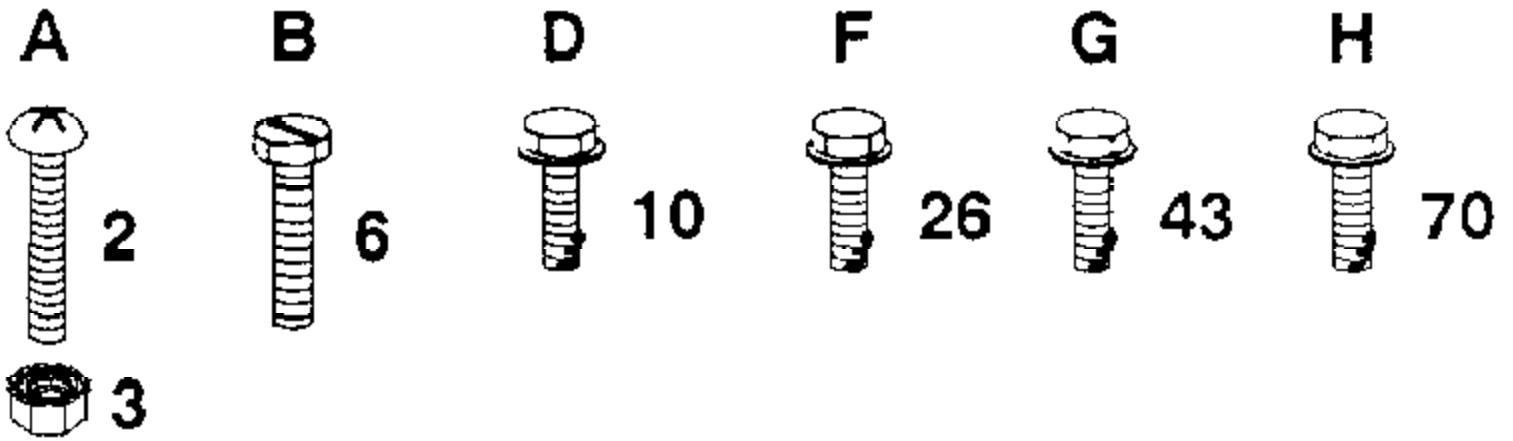


NOTE: All component dimensions given in U.S. inches.
1 inch = 25.4 mm



Ref #	Part Number	Qty	Description
7	73680600		SUB= 73690600
11	72140506		BOLT
12	73680500		SUB= 73690500
13	19131614		WASHER
16	74110632		SCREW YT
17	74760620		SUB= 74780620
24	19111216		WASHER M
35	74760648		BOLT - HEX 3/8 - 16 X 3
36	72140608		SUB= 72110608
43	19131316		WASHER
46	19111116		WASHER
56	74760580		BOLT
63	72140606		BOLT
68	17490612		SCREW
70	72140612		BOLT
74	72140614		BOLT
77	74760616		BOLT
83	72110505		BOLT
84	1685H		SUB= 68478
85	72110506		SUB= 72270506
89	19131410		WASHER
	121826X		SUB= 532131508
	105815X		DECAL
	121349X		DECAL WARNING

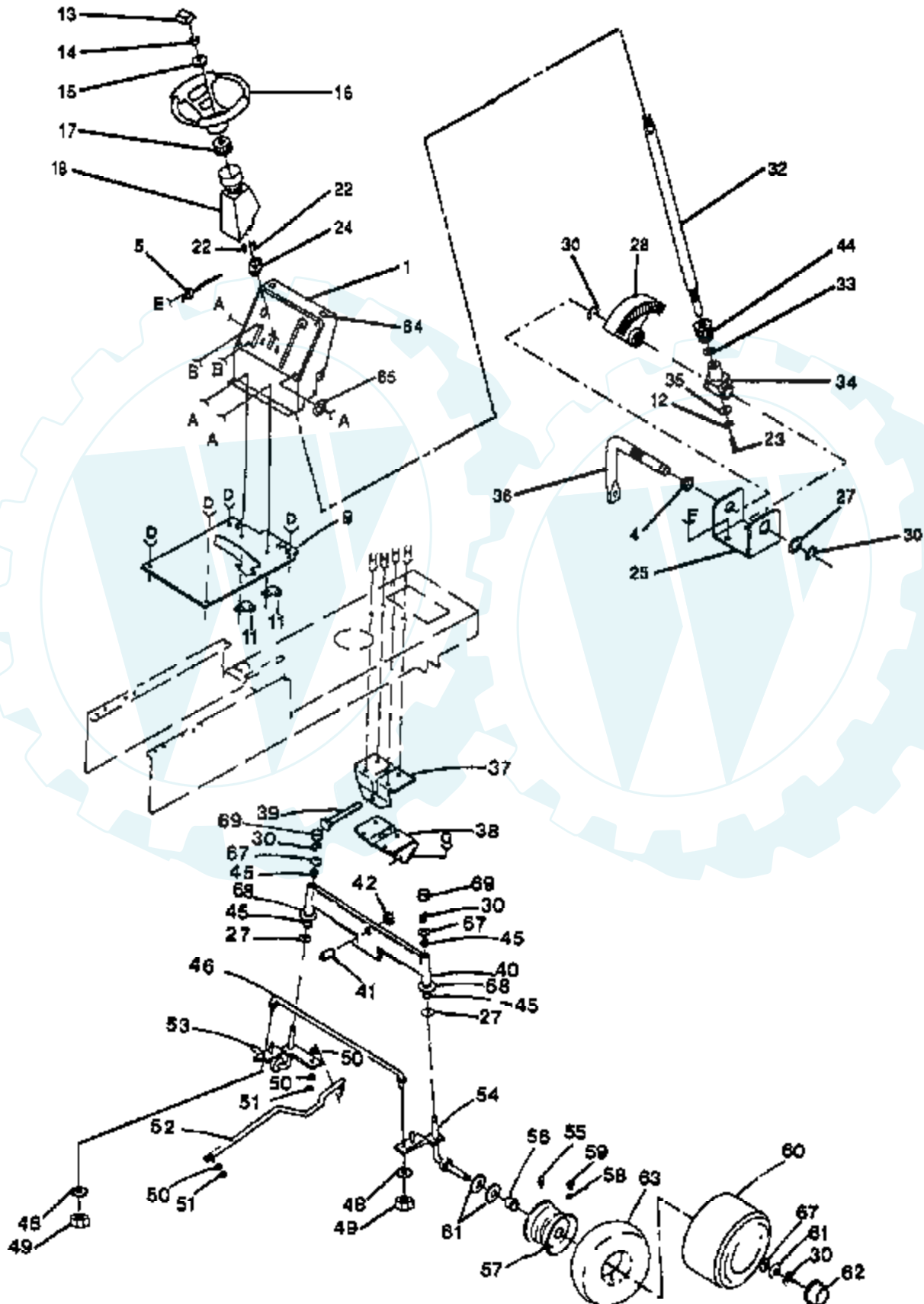




Ref #	Part Number	Qty	Description
2	74180512		SCREW
3	73510500		NUT
6	17720410		SCREW LT
10	17490608		SCREW LT
26	17490612		SCREW
43	17490508		SCREW LT
70	17490612		SCREW
	109821X		SUB= 138956
	126175X		"DECAL,STR WHL T"



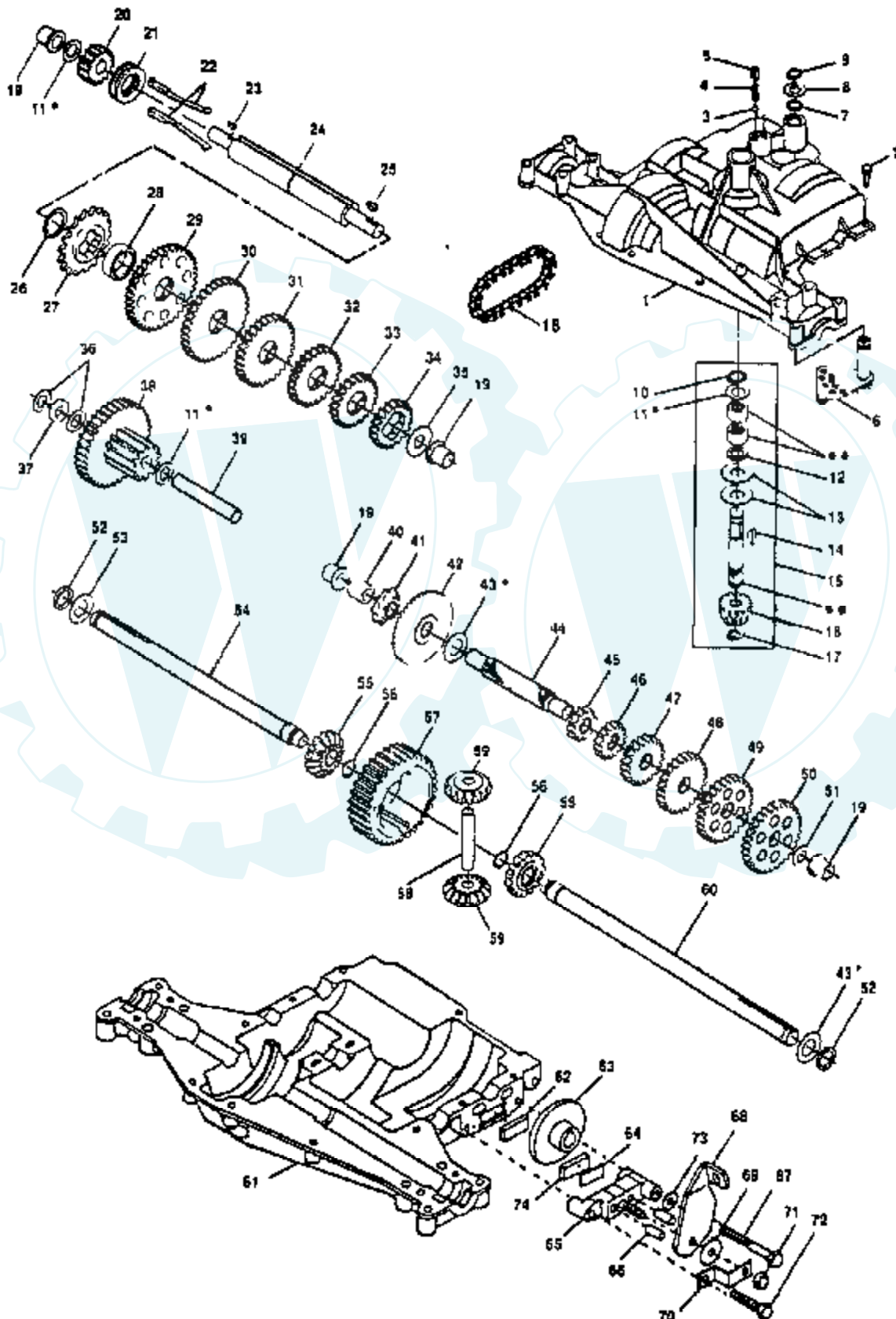
14 H.P. 44" LAWN TRACTOR - MODEL NUMBER T1444B STEERING AND FRONT AXLE



Ref #	Part Number	Qty	Description
1	127906X011		DASH T
4	109816X		NYLINER T
5	124426X		SUB= 132771
9	124464X011		SADDLE
11	2751R		CLIP T
12	10040400		LOCKWASHER
13	100710L		INSERT-WHEEL LT
14	73940800		SUB= 73360800
15	100712K		WASHER
16	100713N		SUB= 150547
17	100711L		ADAPTER LT
18	124418X		"TUBE, STR SHAFT"
22	17431008		SUB= 98000165
23	71070410		"SCREW,SPECIAL"
24	124373X		"BUSHING,STEERING"
25	124036X		"BRKT,STEERING"
27	6266H		WASHER .T
28	124034X		SUB= 136874
30	12000029		RING
32	124038X		SUB= 128752
33	57079		THRUST WASHER
34	124035X		SUPPORT.SHAFT
35	126684X		SUB= 532126684
36	124033X		SUB= 156365
37	105663X		SUPPORT-SADDL T
38	105664X		SUPPORT.SADDLE.FT
39	74761060		BOLT LT
40	105669X		SUB= 108075X
41	110438X		BEARING
42	73901000		"NUT-LOC,FLANGE LT"
44	124037X		"GEAR,PINION"
45	3366R		COL. SRTG. BEAR.
46	121334X		ROD TIE
48	10040500		LOCKWASHER
49	73810500		NUT.LOCK.5/16-24
50	10040600		LOCKWASHER
51	73610600		SUB= 7810H
52	124032X		SUB= 532130468
53	105656X		SPINDLE-LH LT
54	105654X		SUB= 130524
55	278H		FITTING LT
56	9040H		"FLANGE, BEARING"
57	106732X311		SUB= 106732X427
58	59192		VALVE CAP
59	65139		VALVE STEM LT
60	106222X		SUB= 122073X
61	121749X		WASHER
62	104757X		HUB CAP
63	59904		TUBE.5.3/4.5/6
64	126938X		SUB= 532126938
65	11050500		LOCKWASHER.5/16.E
67	121748X		WASHER
68	19272016		WASHER
69	121232X		CAP
	109821X		SUB= 138956
	126175X		"DECAL,STR WHL T"

14 HP 44" LAWN TRACTOR - MODEL NUMBER T1444B TRANSAXLE FOOTE-MODEL NUMBER 4360-7

TRANSAXLE



Ref #	Part Number	Qty	Description
1	3865		HOUSING UPPER
2	1919		SCREW
3	1151		BALL DETENT
4	3626		SPRING, DETENT
5	3623		SCREW, SET
6	4336		ASSY SHIFTER
7	3884		O-RING
8	3885		WASHER PLAIN
8A	3886		WASHER PLAIN
8B	3887		WASHER PLAIN
8C	3888		WASHER PLAIN
8D	3889		WASHER PLAIN
8E	3121		WASHER PLAIN
8F	3890		WASHER PLAIN
9	1100		RING RETAINING
10	1099		RING RETAINING
11	1959		WASHER PLAIN
11A	1441		WASHER PLAIN
11B	1423		WASHER, PLAIN .632 X 1.00 X .026
11C	1082		WASHER PLAIN
11D	1424		WASHER PLAIN
11E	1068		WASHER PLAIN
11F	1425		WASHER PLAIN
11G	1358		WASHER PLAIN
11H	1145		WASHER, PLAIN .632 X 1.00 X .060
11I	1319		WASHER PLAIN
12	3312		O-RING
13	3876		WASHER, PLAIN .632 X 1.38 X .046
14	1374		KEY WOODRUFF #9
15	4134		ASSY KIT INPUT SHAFT
16	3590		PINION, BEVEL, 14 TEETH
17	3624		RING, RETAINING
18	3625		CHAIN, 24 PITCHES
19	1542		BEARING, FLANGE
20	3773		GEAR SPUR, 14 TEETH
21	3631		COLLAR CLUTCH
22	3828		KEY CLUTCH
23	1369		KEY WOODRUFF #3
24	3883		SHAFT INTERMEDIATE
25	1375		KEY, WOODRUFF, #61
26	3627		RING, RETAINING
27	3830		SPROCKET, 18 TEETH
28	3841		SPACER
29	3786		GEAR, SPUR, 37 TEETH
30	3785		GEAR, SPUR, 35 TEETH
31	3867		GEAR, SPUR, 30 TEETH
32	3783		GEAR, SPUR, 25 TEETH
33	3869		GEAR, SPUR, 22 TEETH
34	3741		GEAR SPUR
35	3628		WASHER, PLAIN .640 X 1.37 X .061
36	1423		WASHER, PLAIN .632 X 1.00 X .026
37	3422		SPACER .630 X 1.00 X .169
38	4286		ASSY GEAR COMB 12&35 TEETH
39	3877		SHAFT IDLER
40	3901		SPACER .635 X .875 X .755
41	3645		SPROCKET, 9 TEETH
42	3853		GEAR BEVEL 42 TEETH
43	3749		WASHER PLAIN

Ref #	Part Number	Qty	Description
43A	3652		WASHER PLAIN
43B	3693		WASHER PLAIN
43C	3653		WASHER PLAIN
43D	3408		WASHER PLAIN
43E	3732		WASHER PLAIN
43F	3184		WASHER, PLAIN .758 X 1.25 X .031
43G	3733		WASHER PLAIN
43H	3198		WASHER PLAIN
43I	3734		WASHER PLAIN
43J	3735		WASHER PLAIN
43K	3736		WASHER PLAIN
43L	3180		WASHER PLAIN
44	3882		SHAFT, DRIVE
45	3646		GEAR, SPUR, 12 TEETH
46	3707		GEAR SPUR, 15 TEETH
47	3866		GEAR, SPUR, 20 TEETH
48	3719		GEAR, SPUR, 25 TEETH
49	3868		GEAR, SPUR, 28 TEETH
50	3683		GEAR, SPUR, 31 TEETH
51	1145		WASHER, PLAIN .632 X 1.00 X .060
52	3191		SEAL FELT
53	3180		WASHER PLAIN
54	3880		AXLE LEFT HAND
55	3780		GEAR, MITER, 15 TEETH
56	3656		RING, RETAINING
57	3839		GEAR, SPUR, 32 TEETH
58	3919		SHAFT, CROSS
59	3781		GEAR, MITER, 15 TEETH
60	3881		AXLE, R.H.
61	3864		HOUSING LOWER
62	3920		PUCK, FRICTION
63	3276		DISC, BRAKE
64	3758		SPACER
65	3916		JAW, BRAKE
66	3843		PIN, DOWEL
67	3915		SCREW TAPPING
68	3768		LEVER, ACTUATING
69	3760		WASHER, PLAIN .321 X 1.00 X .055
70	3917		BRACKET, ANTI-ROTATION
71	3847		LOCKNUT 5/16-24
72	3724		SCREW TAPPING
73	3906		WASHER PLAIN
74	3907		PUCK, FRICTION
75	4300		GREASE