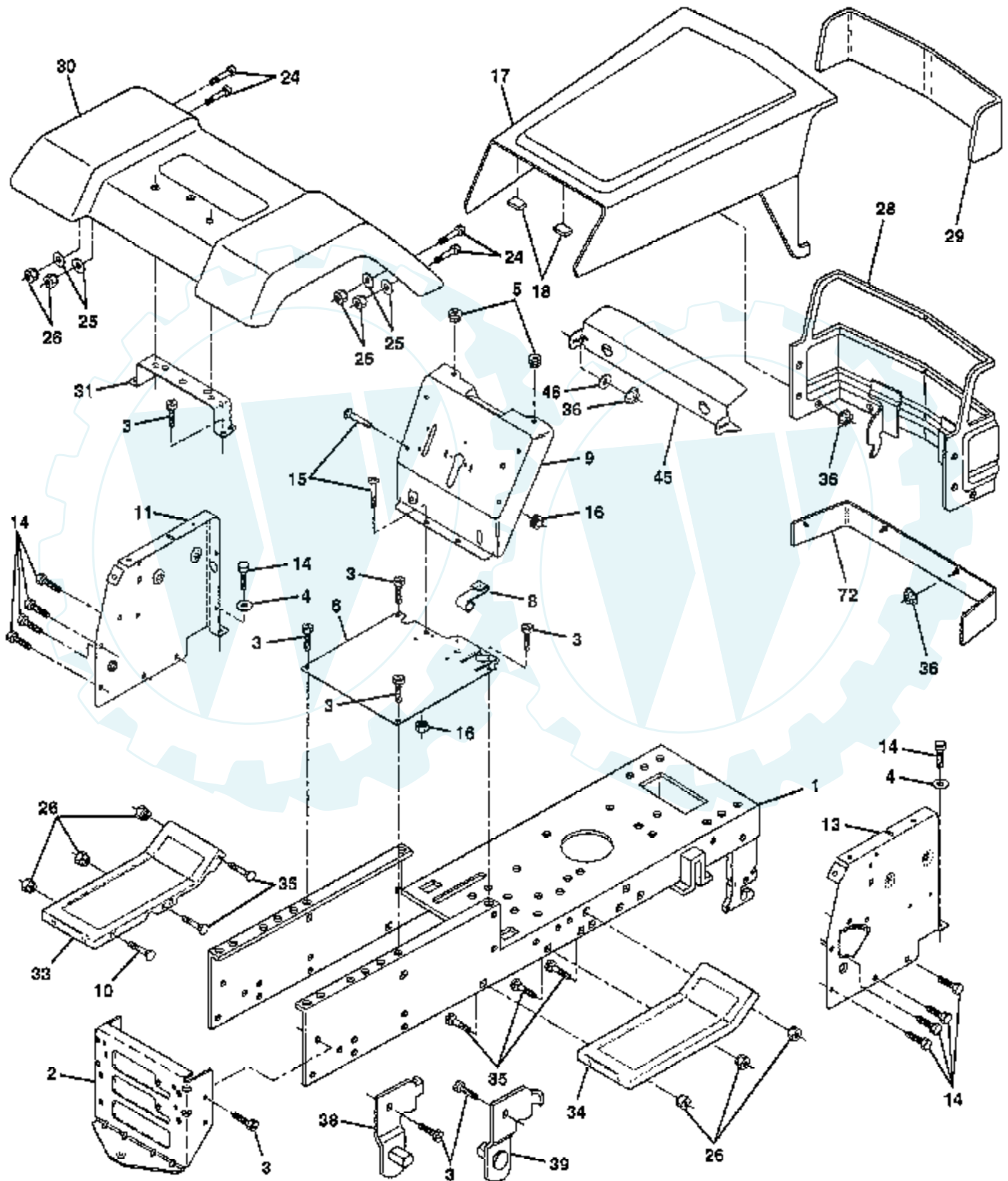


# TRACTOR - - MODEL NUMBER T1238A

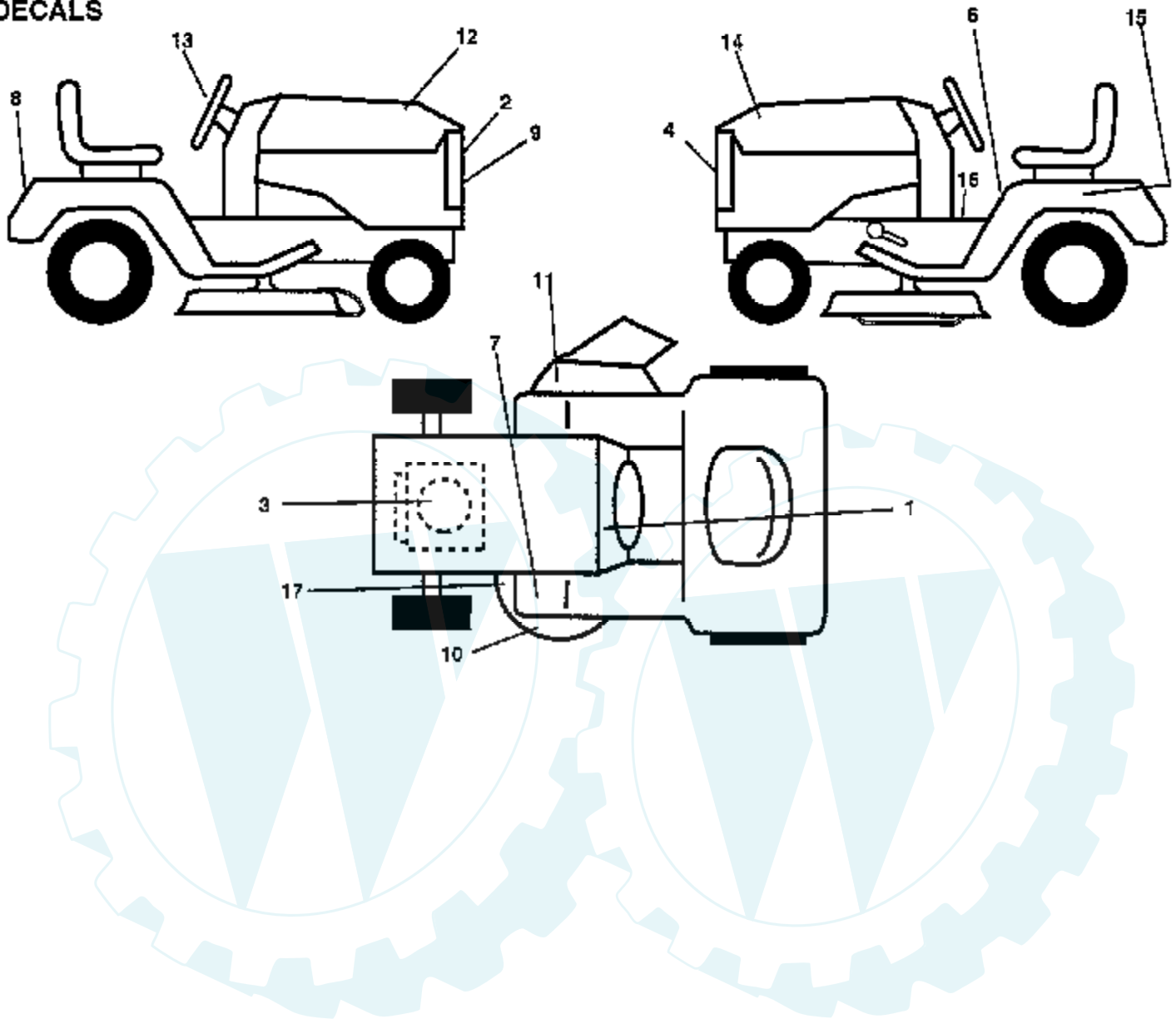
## CHASSIS



| Ref # | Part Number | Qty | Description       |
|-------|-------------|-----|-------------------|
| 1     | 145501      |     | CHASSIS.WLD.11GA  |
| 2     | 140356      |     | SUB= 145009       |
| 3     | 17490612    |     | SCREW             |
| 4     | 19131216    |     | WASHER            |
| 5     | 146077      |     | SUB= 155272       |
| 6     | 145208X016  |     | SUB= 155924X015   |
| 8     | 126471X     |     | "CLIP,INSULATOR"  |
| 9     | 146757X011  |     | DASH.SLKSC.LT.1PC |
| 10    | 72140608    |     | SUB= 72110608     |
| 11    | 146956      |     | PANEL.DASH.LH.    |
| 13    | 146961X012  |     | SUB= 155934X010   |
| 14    | 17490608    |     | SCREW LT          |
| 15    | 74180512    |     | SCREW             |
| 16    | 73510500    |     | NUT               |
| 17    | 146399X550  |     | HOOD.W/SD.PNLS.LT |
| 18    | 126938X     |     | SUB= 532126938    |
| 24    | 74780616    |     | BOLT              |
| 25    | 19131312    |     | WASHER            |
| 26    | 73800600    |     | NUT               |
| 28    | 133951      |     | GRILLE.RALLY.BAR. |
| 29    | 133954      |     | LENS SERVICE KIT  |
| 30    | 109872X550  |     | FENDER.PNT.       |
| 31    | 136619      |     | BRKT FENDER       |
| 33    | 105476X550  |     | FOOTREST.LH.PERF. |
| 34    | 105475X550  |     | FOOTREST.RH.PERF. |
| 35    | 72110606    |     | BOLT              |
| 36    | 108067X     |     | PAL NUT LT        |
| 38    | 139886      |     | BRACKET ASM LH    |
| 39    | 139887      |     | BRACKET ASM RH    |
| 45    | 132257      |     | SUB= 918132257    |
| 46    | 127316X     |     | RETAINER          |
| 72    | 109745X550  |     | STRAP.GRILLE.PNT. |
|       | 5479J       |     | PLUG BUTTON T     |

### TRACTOR - - MODEL NUMBER T1238A

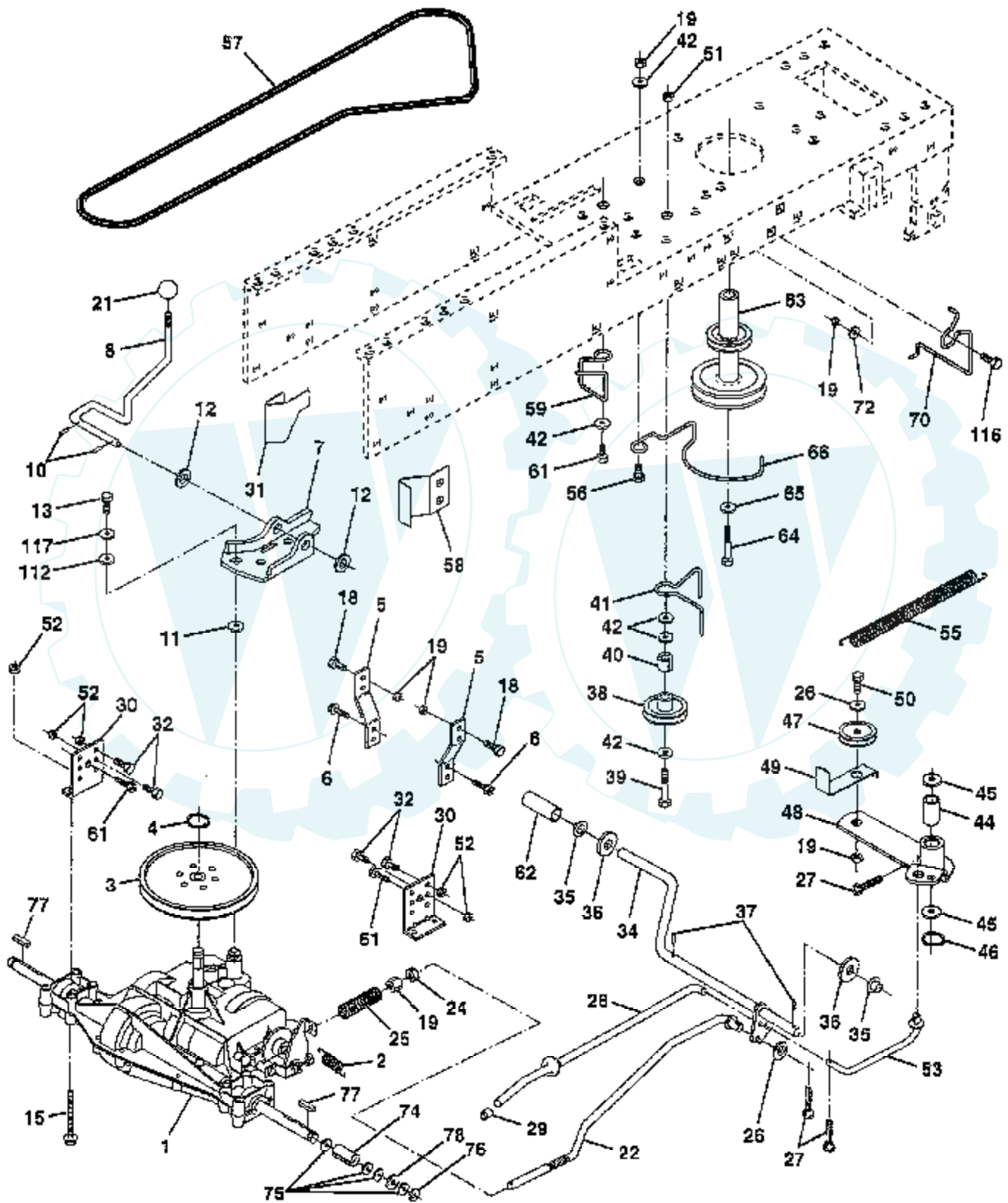
#### DECALS



| Ref # | Part Number | Qty | Description         |
|-------|-------------|-----|---------------------|
| 1     | 138956      |     | DECAL.DASH.INSTR.   |
| 2     | 126171X     |     | "DECAL,GRILL"       |
| 3     | 272440      |     | DECAL, HP ENGINE    |
| 4     | 152472      |     | DECAL GRILLE COOP   |
| 6     | 133795      |     | DECAL CAUTION       |
| 7     | 101892X     |     | DECAL T             |
| 8     | 152473      |     | DECAL LOGO FENDER   |
| 9     | 126658X     |     | DECAL.STRIPE.GR     |
| 10    | 135013      |     | NLA                 |
| 11    | 137259      |     | "DECAL, WARNING"    |
| 12    | 152470      |     | DECAL HOOD RH       |
| 13    | 126175X     |     | "DECAL,STR WHL T"   |
| 14    | 152471      |     | DECAL HOOD LH       |
| 15    | 146451      |     | DECAL.BTRY.DANGER   |
| 16    | 140837      |     | DECAL BRAK PARK     |
| 17    | 136832      |     | DECAL               |
|       | 138311      |     | DECAL HANDLE LIFT   |
|       | 145761      |     | "MANUAL.OP.GEN.38"" |
|       | 152401      |     | MANUAL.P.T1238A     |
|       | LSB42       |     | SNOW THROWER        |
|       | LBD48       |     | SNOW BLADE          |
|       | LC05        |     | WHEEL WTS.          |
|       | CH12        |     | TIRE CHAINS         |
|       | MK380       |     | KIT.MULCHER         |
|       | C38         |     | GRASS CATCHER       |

# TRACTOR - - MODEL NUMBER T1238A

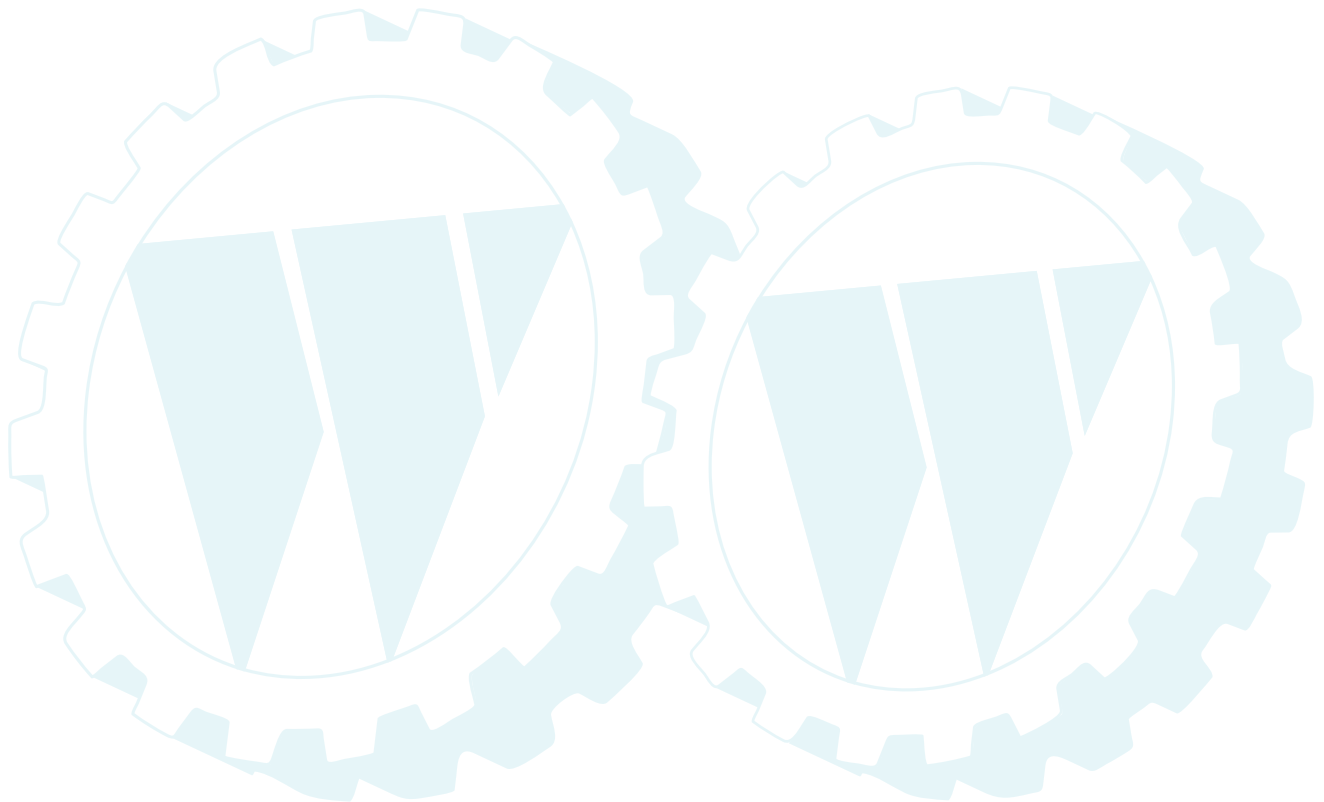
## DRIVE





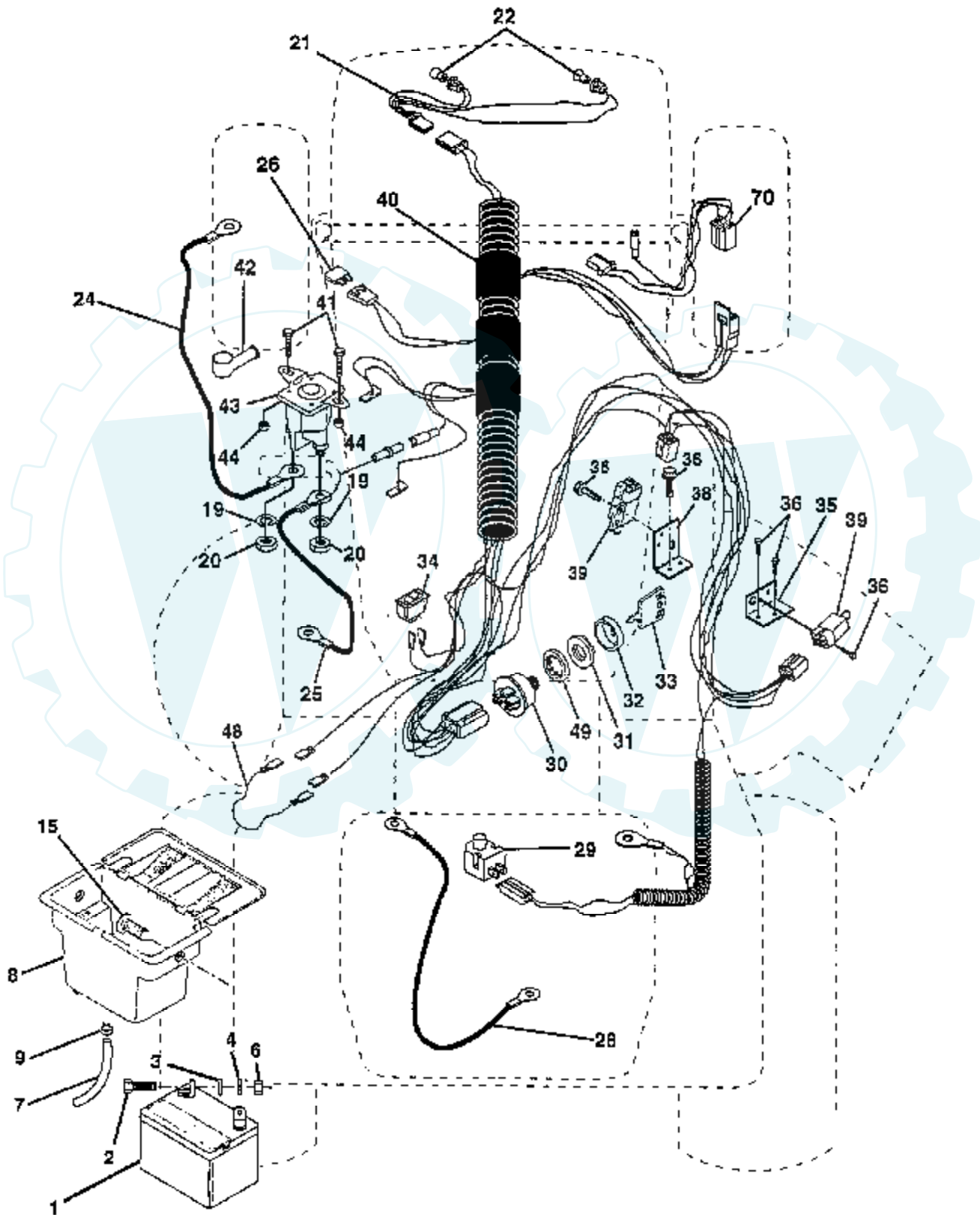
| Ref # | Part Number | Qty | Description         |
|-------|-------------|-----|---------------------|
| 1     | 142603      |     | SUB= 160664         |
| 2     | 146682      |     | SPRING.BRAKE.RETU   |
| 3     | 123666X     |     | PULLEY TRANS        |
| 4     | 12000028    |     | SUB= 2267J          |
| 5     | 121520X     |     | STRAP TORQUE        |
| 6     | 17490512    |     | SCREW               |
| 7     | 130802      |     | SUB= 162240         |
| 8     | 131679      |     | SHIFT ROD           |
| 10    | 76020416    |     | PIN COTTER 1/8      |
| 11    | 105701X     |     | WASH-SHFT PLT LT    |
| 12    | 19151216    |     | WASHER              |
| 13    | 74550412    |     | BOLT.1/4-28.W/PAT   |
| 14    | 10040400    |     | LOCKWASHER          |
| 15    | 74490544    |     | BOLT.HX.FLG.5/16    |
| 18    | 74780616    |     | BOLT                |
| 19    | 73800600    |     | NUT                 |
| 21    | 106933X     |     | KNOB T (1/2-HOLE)   |
| 22    | 130804      |     | BRAKE ROD           |
| 24    | 73350600    |     | NUT                 |
| 25    | 106888X     |     | SPRING ROD LT       |
| 26    | 19131316    |     | WASHER              |
| 27    | 76020412    |     | COTTER PIN          |
| 28    | 145204      |     | ROD.BRAKE.PARK.LT   |
| 29    | 71673       |     | PLUNGER CAP T       |
| 30    | 130807      |     | TRANSAXLE MTG BKT   |
| 31    | 127275X     |     | "KEEPER,BELT LH T"  |
| 32    | 74760512    |     | BOLT                |
| 34    | 149001      |     | SHAFT.PEDAL.FOOT    |
| 35    | 120183X     |     | NYLON BEARING       |
| 36    | 19211616    |     | WASHER LT           |
| 37    | 1572H       |     | SUB= 2882J          |
| 38    | 123674X     |     | PULLEY.IDLER.FLAT   |
| 39    | 74760644    |     | BOLT                |
| 40    | 4470J       |     | SPACER T            |
| 41    | 109070X     |     | BELT KEEPER LT      |
| 42    | 19131312    |     | WASHER              |
| 44    | 105706X     |     | "LY, BEARING"       |
| 45    | 110812X     |     | WASHER LT           |
| 46    | 12000039    |     | KLIP RING           |
| 47    | 127783      |     | SUB= 139245         |
| 48    | 123789X     |     | ARM IDLER           |
| 49    | 123205X     |     | RETAIN BELT         |
| 50    | 74760624    |     | SUB= 74930624       |
| 51    | 73680600    |     | SUB= 73690600       |
| 52    | 73680500    |     | SUB= 73690500       |
| 53    | 105710X     |     | "LINK, CLUTCH T"    |
| 55    | 105709X     |     | "SPRING, RETURN LT" |
| 56    | 74760620    |     | SUB= 74780620       |
| 57    | 130801      |     | SUB= 138255         |
| 28    | 127274X     |     | "KEEPER,BELT RH T"  |
| 59    | 140312      |     | KEEPER BELT CNTSP   |
| 61    | 17490612    |     | SCREW               |
| 62    | 8883R       |     | PEDAL COVER T       |
| 63    | 140186      |     | PULLEY.ENGINE       |
| 64    | 71170764    |     | BOLT                |
| 65    | 10040700    |     | LOCKWASHER          |
| 66    | 129921      |     | KEEPER BELT ENGL    |
| 70    | 134683      |     | KEEPER BELT ENG     |

| Ref # | Part Number | Qty | Description      |
|-------|-------------|-----|------------------|
| 72    | 19132012    |     | WASHER           |
| 74    | 109502X     |     | SPACER LT        |
| 75    | 121749X     |     | WASHER           |
| 76    | 12000001    |     | E-RING LT        |
| 77    | 123583X     |     | SQUARE KEY       |
| 78    | 121748X     |     | WASHER           |
| 112   | 19091210    |     | WASHER LT        |
| 116   | 72110610    |     | BOLT RDHD 3/8-16 |



# TRACTOR - - MODEL NUMBER T1238A

## ELECTRICAL

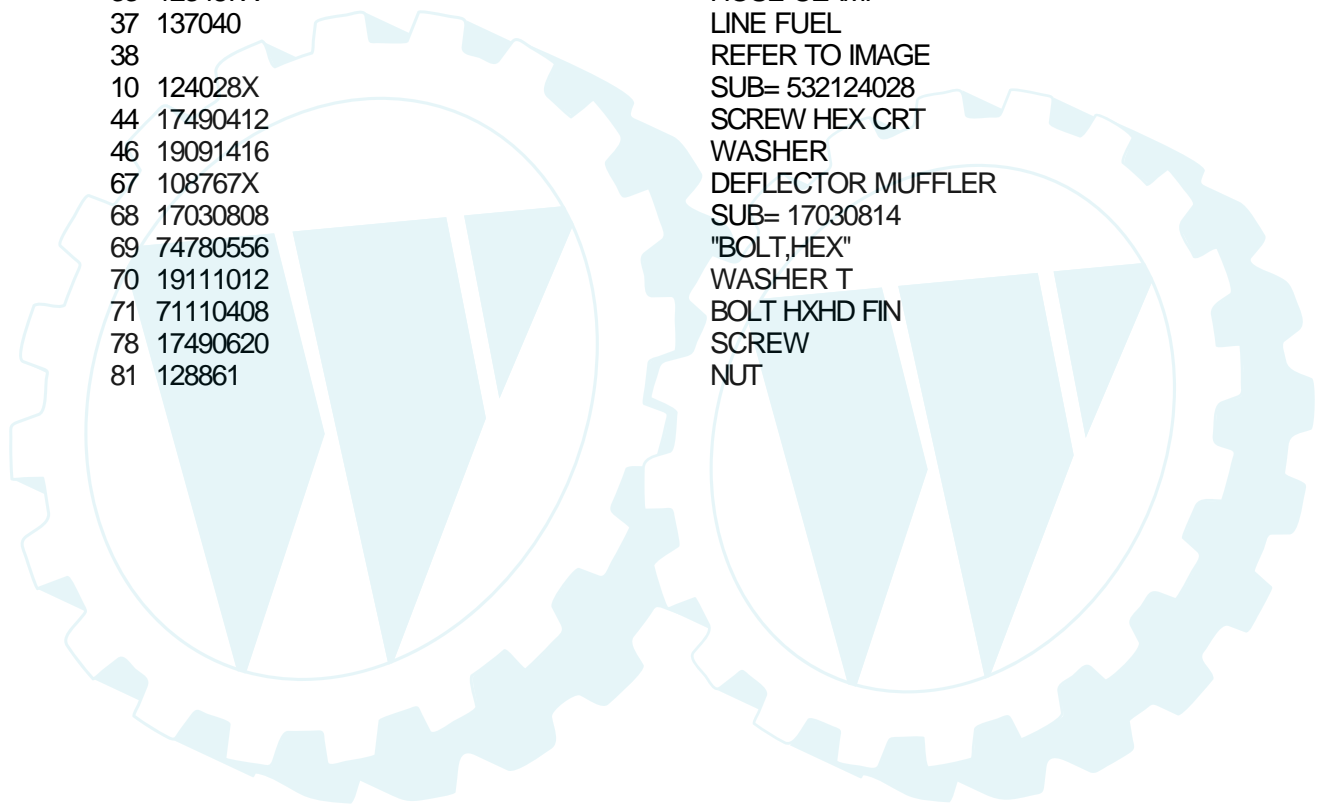




| Ref # | Part Number | Qty | Description         |
|-------|-------------|-----|---------------------|
| 1     | 146139      |     | SUB= 123899X        |
| 2     | 74760412    |     | BOLT LT             |
| 3     | 19091016    |     | WASHER              |
| 4     | 10040400    |     | LOCKWASHER          |
| 6     | 73220400    |     | SUB= 50675          |
| 7     | 109238X     |     | TUBE T              |
| 8     | 144940      |     | SUB= 156417         |
| 9     | 109596X     |     | HOSE CLAMP T        |
| 15    | 147688      |     | FASTNER.SNAP-IN     |
| 19    | 10090400    |     | SUB= 10040400       |
| 20    | 73350400    |     | NUT                 |
| 21    | 136850      |     | "HARNES, LIGHT SOC" |
| 22    | 4152J       |     | HEADLAMP BULB       |
| 24    | 4799J       |     | "CABLE T, BATTERY"  |
| 25    | 146147      |     | CABLE.BTRY.6GA.RD   |
| 26    | 108824X     |     | FUSE HYT            |
| 28    | 4207J       |     | CABLE T             |
| 29    | 121305X     |     | SWITCH SEAT         |
| 30    | 144921      |     | SUB= 163088         |
| 31    | 140400      |     | SUB= 145774         |
| 32    | 141226      |     | COVER KEY SWITCH    |
| 33    | 140401      |     | KEY MLD GEN DELTA   |
| 34    | 110712X     |     | SWITCH LT           |
| 35    | 108236X     |     | BRACKET LT          |
| 36    | 17021008    |     | SCREW               |
| 38    | 140336      |     | BRACKET SWITCH IN   |
| 39    | 109553X     |     | SWITCH INTERLOCKT   |
| 40    | 146057      |     | HARNES.IGN.DASH.    |
| 41    | 71110408    |     | BOLT HXHD FIN       |
| 42    | 131563      |     | SUB= 154336         |
| 43    | 145673      |     | SUB= 146154         |
| 44    | 73640400    |     | NUT HXKEP 1/4X20    |
| 48    | 140844      |     | ADAPTER AMMETER     |
| 49    | 11151000    |     | LOCKWASHER          |
| 70    | 140413      |     | HARNES ENG DUAL     |



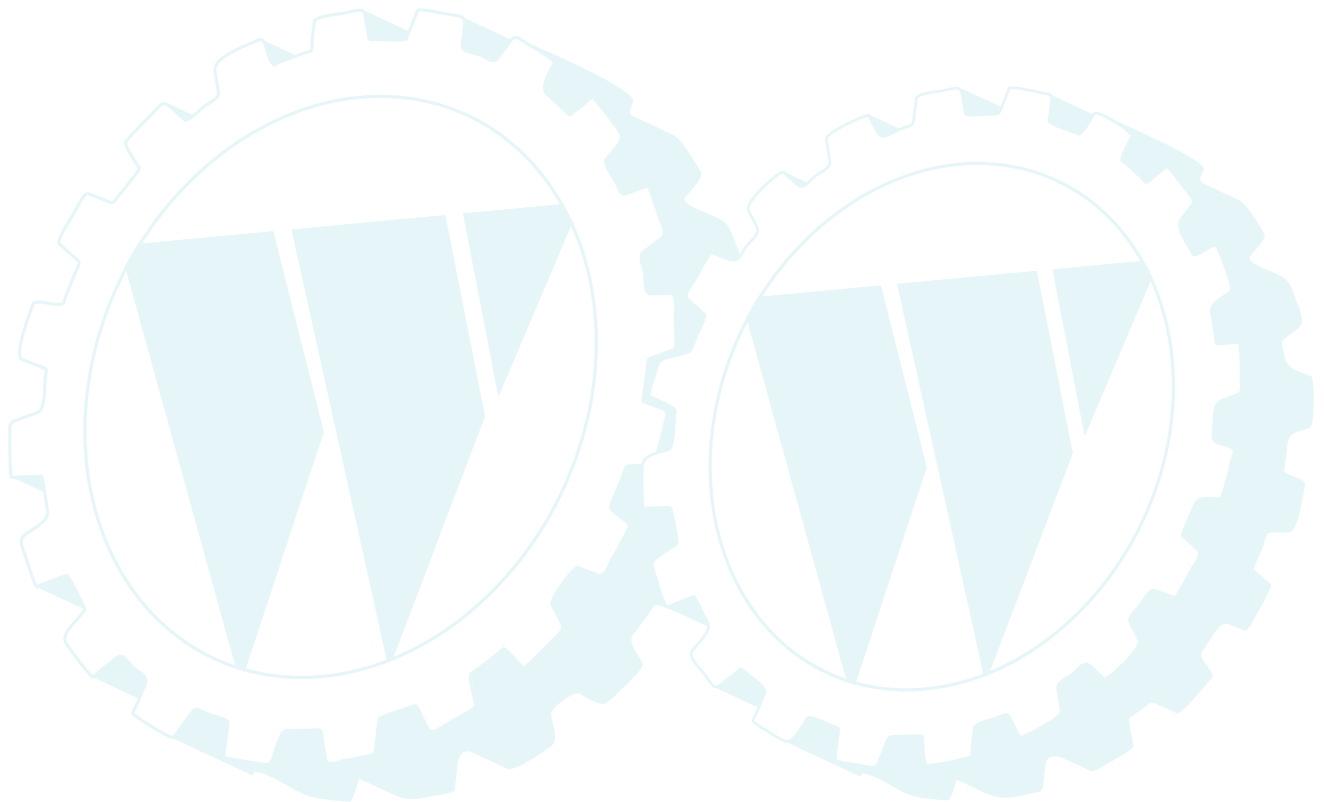
| Ref # | Part Number | Qty | Description                    |
|-------|-------------|-----|--------------------------------|
| 1     | 132771      |     | THROTTLE CONTROL               |
| 2     | 17720410    |     | SCREW LT                       |
| 3     |             |     | REFER TO IMAGE                 |
| 4     | 101273M     |     | MUFFLER LTV                    |
| 10    | 101159L     |     | SHIELD HEAT LTV                |
| 11    | 10040400    |     | LOCKWASHER                     |
| 13    | 272293      |     | GASKET ENG 1 313 LD TIN PLATED |
| 14    | 13280324    |     | PIPE NIPPLE                    |
| 15    | 13200300    |     | ELBOW                          |
| 16    | 11050600    |     | LOCKWASHER                     |
| 29    | 137180      |     | SUB= 532137180                 |
| 31    | 109202X     |     | TANK.FUEL.LT.                  |
| 32    | 140527      |     | CAP ASM FUEL                   |
| 33    | 123487X     |     | HOSE CLAMP                     |
| 37    | 137040      |     | LINE FUEL                      |
| 38    |             |     | REFER TO IMAGE                 |
| 10    | 124028X     |     | SUB= 532124028                 |
| 44    | 17490412    |     | SCREW HEX CRT                  |
| 46    | 19091416    |     | WASHER                         |
| 67    | 108767X     |     | DEFLECTOR MUFFLER              |
| 68    | 17030808    |     | SUB= 17030814                  |
| 69    | 74780556    |     | "BOLT,HEX"                     |
| 70    | 19111012    |     | WASHER T                       |
| 71    | 71110408    |     | BOLT HXHD FIN                  |
| 78    | 17490620    |     | SCREW                          |
| 81    | 128861      |     | NUT                            |





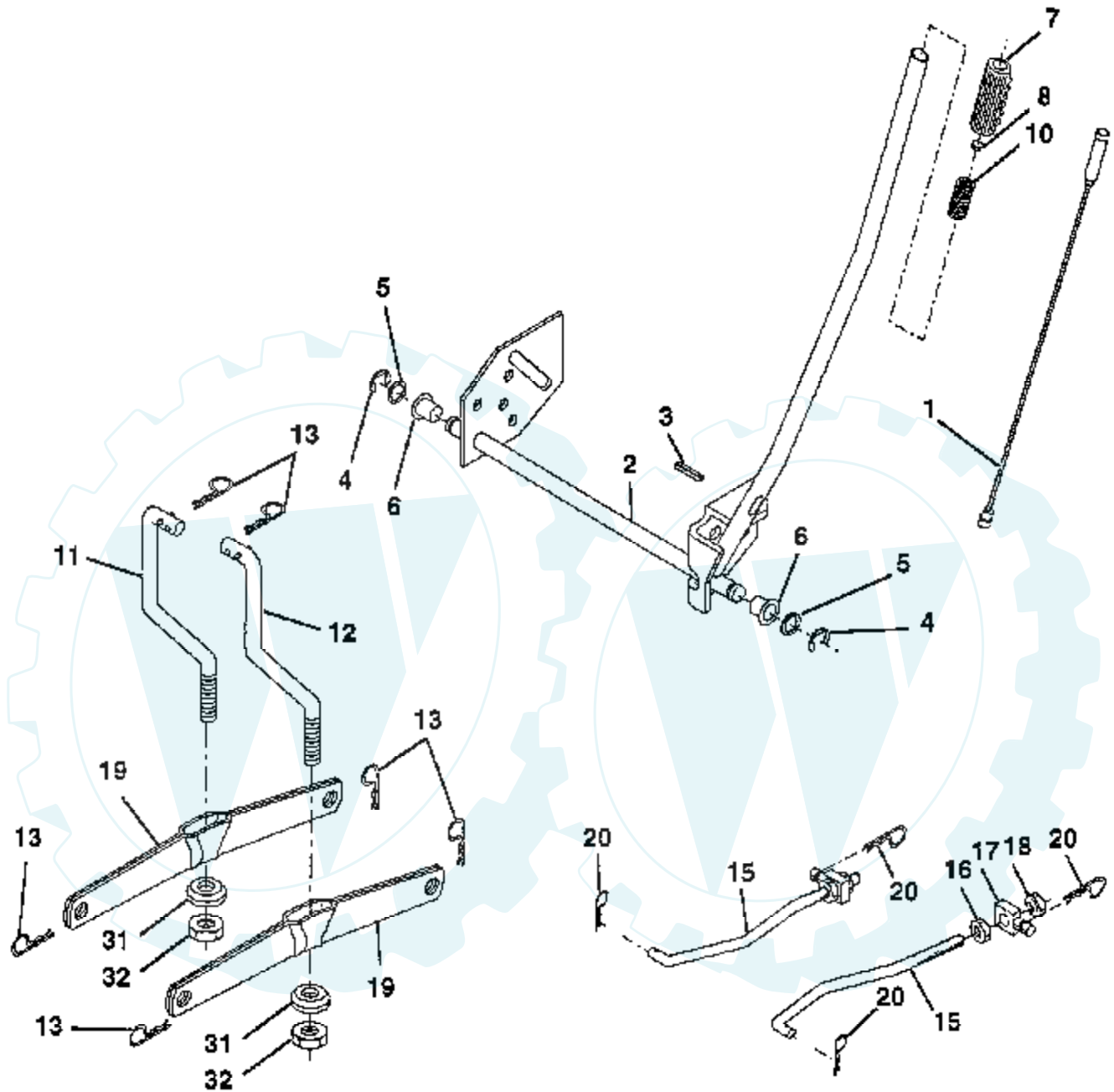
| Ref # | Part Number | Qty | Description         |
|-------|-------------|-----|---------------------|
| 1     | 142829      |     | SUB= 145775         |
| 2     | 72140506    |     | BOLT                |
| 3     | 138017      |     | BRKT ASM SWAY BAR   |
| 4     | 138440      |     | BRKT DECK SW BAR    |
| 5     | 4939M       |     | SUB= 85902          |
| 6     | 130832      |     | SUB= 130833         |
| 8     | 850857      |     | BLADE BOLT          |
| 9     | 10030600    |     | SUB= 10040600       |
| 10    | 140296      |     | WASHER.HARD.BLADE   |
| 11    | 138497      |     | "BLADE.38"" HIPERF" |
| 12    | 129895      |     | BEARING.BALL        |
| 13    | 137645      |     | SUB= 137646         |
| 14    | 128774      |     | HSG ASM MANDREL     |
| 15    | 110485X     |     | BEARING             |
| 16    | 140329      |     | STRIPPER RND MWR    |
| 19    | 132827      |     | BOLT SHD 5/16-18    |
| 21    | 73680500    |     | SUB= 73690500       |
| 23    | 137607      |     | BRKT DEFLECTOR      |
| 24    | 105304X     |     | CAP-SLEEVE LT       |
| 25    | 123713X     |     | SPRING TORSION      |
| 26    | 110452X     |     | NUT PUSH M          |
| 27    | 106736X     |     | DEFLECTOR-SHLD T    |
| 28    | 19111016    |     | WASHER              |
| 29    | 106735X     |     | ROD-HINGE T         |
| 30    | 138776      |     | SUB= 157722         |
| 31    | 129963      |     | WASHER              |
| 32    | 153532      |     | PULLEY.MANDREL.38   |
| 33    | 137226      |     | NLA                 |
| 36    | 131494      |     | FLAT IDLER PULLEY   |
| 40    | 73680600    |     | SUB= 73690600       |
| 41    | 133551      |     | PIVOT ROD           |
| 43    | 133504      |     | CLUTCH ROD SECOND   |
| 45    | 4497H       |     | RETAINER M          |
| 53    | 130840      |     | BRAKE ASM           |
| 54    | 133943      |     | HARDENED WASHER     |
| 55    | 133840      |     | IDLER ARM ASSY      |
| 56    | 122052X     |     | SPACER RETAINER     |
| 67    | 106932X     |     | KNOB T(3/8 HOLE)    |
| 68    | 144200      |     | BELT.V.T-PATH       |
| 69    | 76020312    |     | SUB= 3145           |
| 71    | 142427      |     | ROD CLUTCH 38/42    |
| 72    | 131870      |     | RETURN SPRING       |
| 73    | 127847      |     | CLUTCH ARM SECOND   |
| 74    | 121748X     |     | WASHER              |
| 75    | 12000029    |     | RING                |
| 76    | 128903      |     | SHOULDER BOLT       |
| 77    | 127845      |     | SPRING KEEPER       |
| 78    | 140334      |     | SUB= 154810         |
| 79    | 127498      |     | BUSHING             |
| 80    | 128759      |     | SUB= 918128759      |
| 81    | 73350600    |     | NUT                 |
| 82    | 142028      |     | TRUNION ADJ         |
| 86    | 7631J       |     | RUNNER-LH M         |
| 87    | 128772      |     | RUNNER RH           |
| 88    | 19111216    |     | WASHER M            |
| 89    | 19131612    |     | WASHER GT           |
| 92    | 73800600    |     | NUT                 |
| 107   | 133502      |     | RETAINER SPACER     |

| Ref # | Part Number | Qty | Description       |
|-------|-------------|-----|-------------------|
| 108   | 133503      |     | IDLER ARM STIFF   |
| 109   | 74760640    |     | BOLT              |
| 110   | 142587      |     | UPSTOP DECK FT 38 |
| 113   | 17490512    |     | SCREW             |
| 122   | 131289      |     | BRAKE ROD LH      |
| 123   | 131288      |     | BRAKE ROD RH      |
| 124   | 72110614    |     | BOLT              |
|       | 145758      |     | DECK.SERV.38.HLMC |
|       | 130794      |     | MANDREL ASM       |



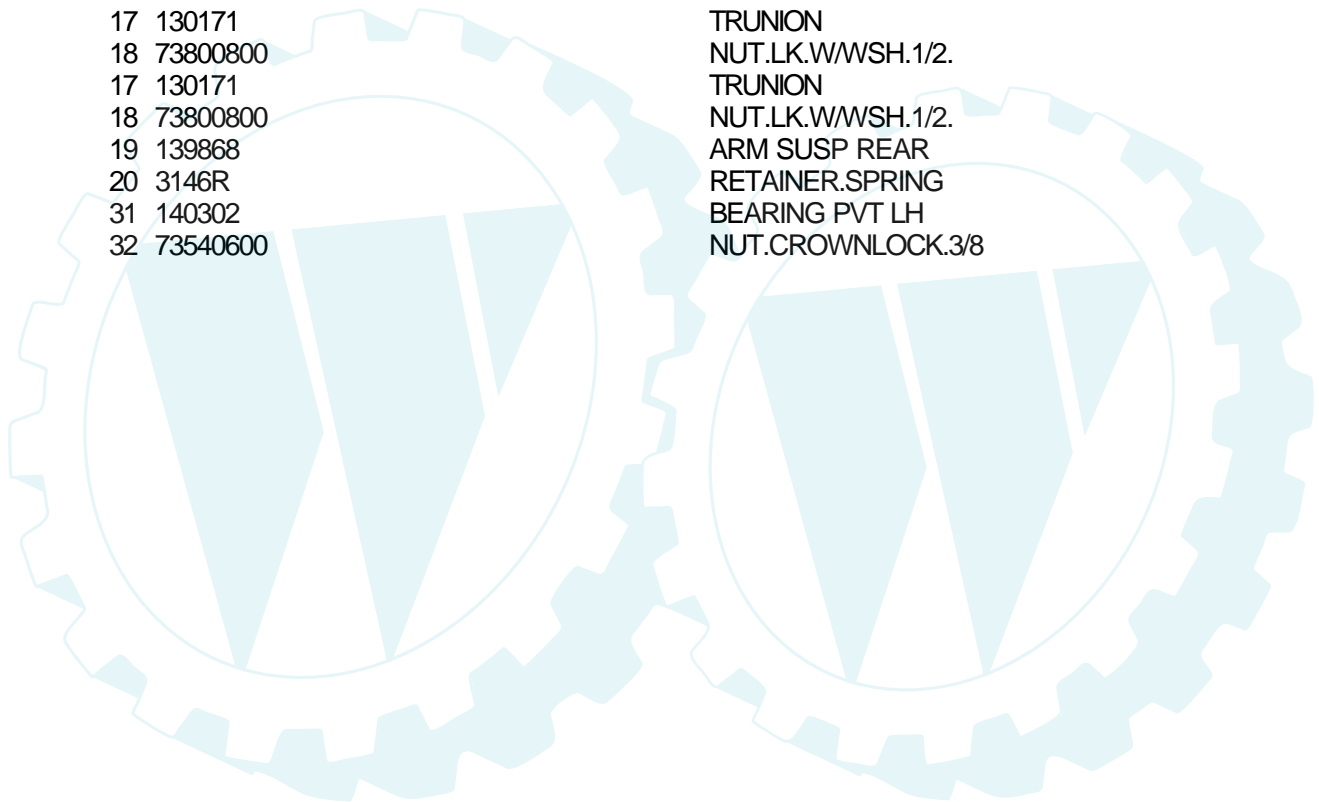
## TRACTOR - - MODEL NUMBER T1238A

### MOWER LIFT



**NOTE:** All component dimensions given in U.S. inches  
1 inch = 25.4 mm.

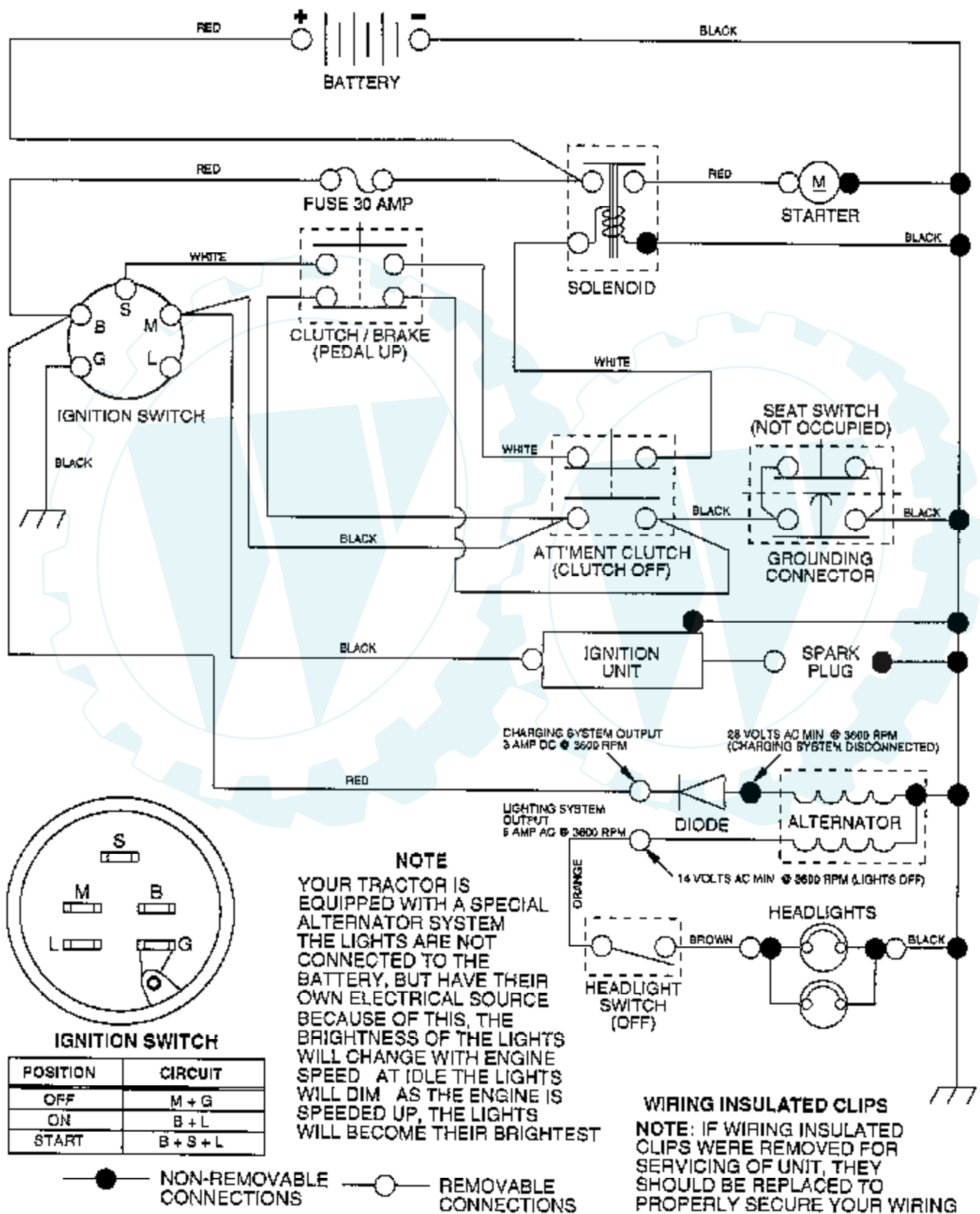
| Ref # | Part Number | Qty | Description       |
|-------|-------------|-----|-------------------|
| 1     | 136973      |     | WIRE ASM          |
| 2     | 122507X     |     | SUB= 145117       |
| 3     | 105767X     |     | PIN-GROOVE LT     |
| 4     | 12000002    |     | SUB= 2225J        |
| 5     | 19211621    |     | WASHER            |
| 6     | 120183X     |     | NYLON BEARING     |
| 7     | 109413X     |     | GRIP              |
| 8     | 124526X     |     | SUB= 125925X      |
| 10    | 122512X     |     | SUB= 532122512    |
| 11    | 139865      |     | SUB= 918139865    |
| 12    | 139866      |     | SUB= 151140       |
| 13    | 4939M       |     | SUB= 85902        |
| 15    | 127218      |     | LINK.FRONT        |
| 16    | 73350800    |     | NUT               |
| 17    | 130171      |     | TRUNION           |
| 18    | 73800800    |     | NUT.LK.W/WSH.1/2. |
| 17    | 130171      |     | TRUNION           |
| 18    | 73800800    |     | NUT.LK.W/WSH.1/2. |
| 19    | 139868      |     | ARM SUSP REAR     |
| 20    | 3146R       |     | RETAINER.SPRING   |
| 31    | 140302      |     | BEARING PVT LH    |
| 32    | 73540600    |     | NUT.CROWNLOCK.3/8 |





# TRACTOR - - MODEL NUMBER T1238A

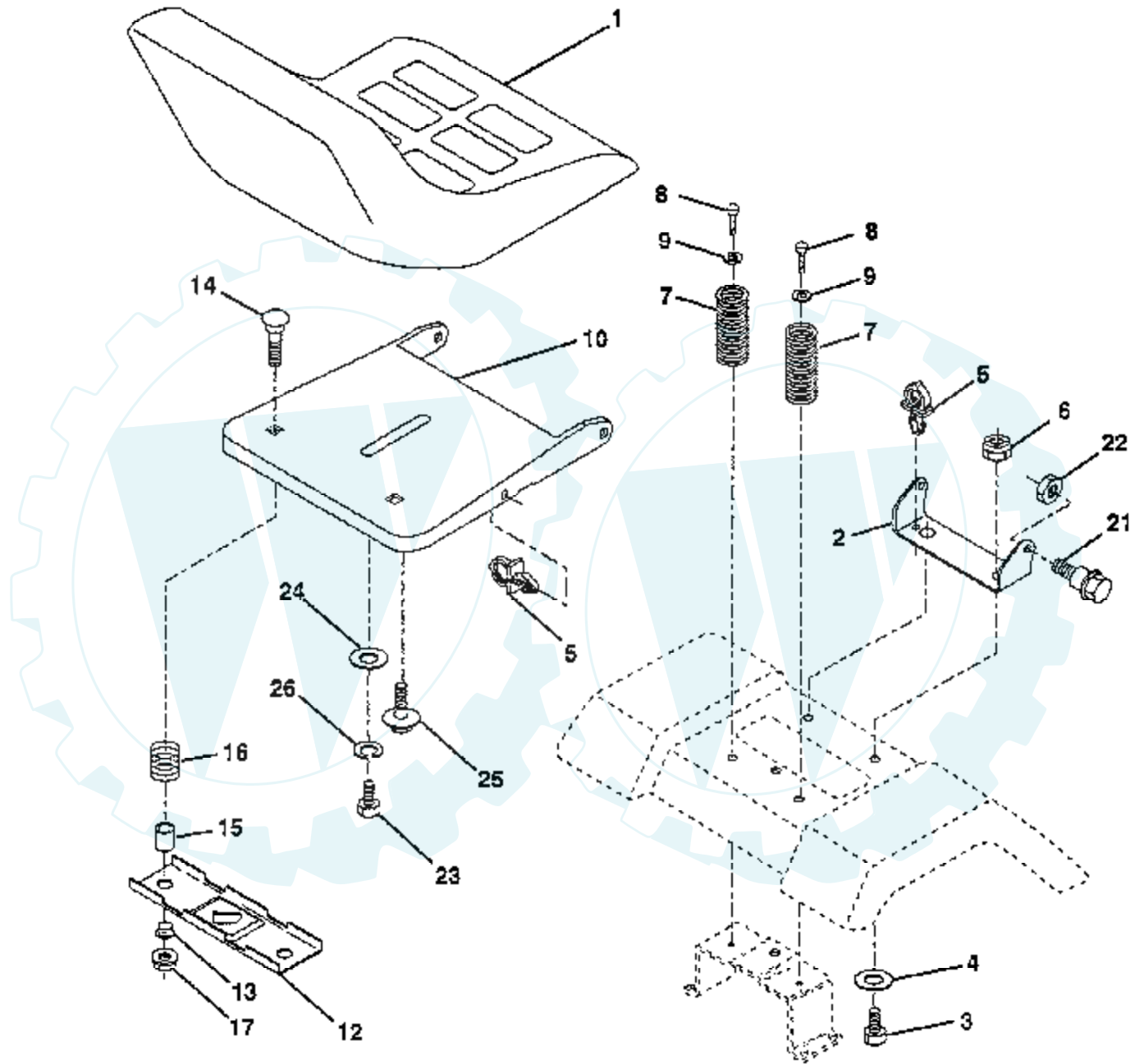
## SCHEMATIC



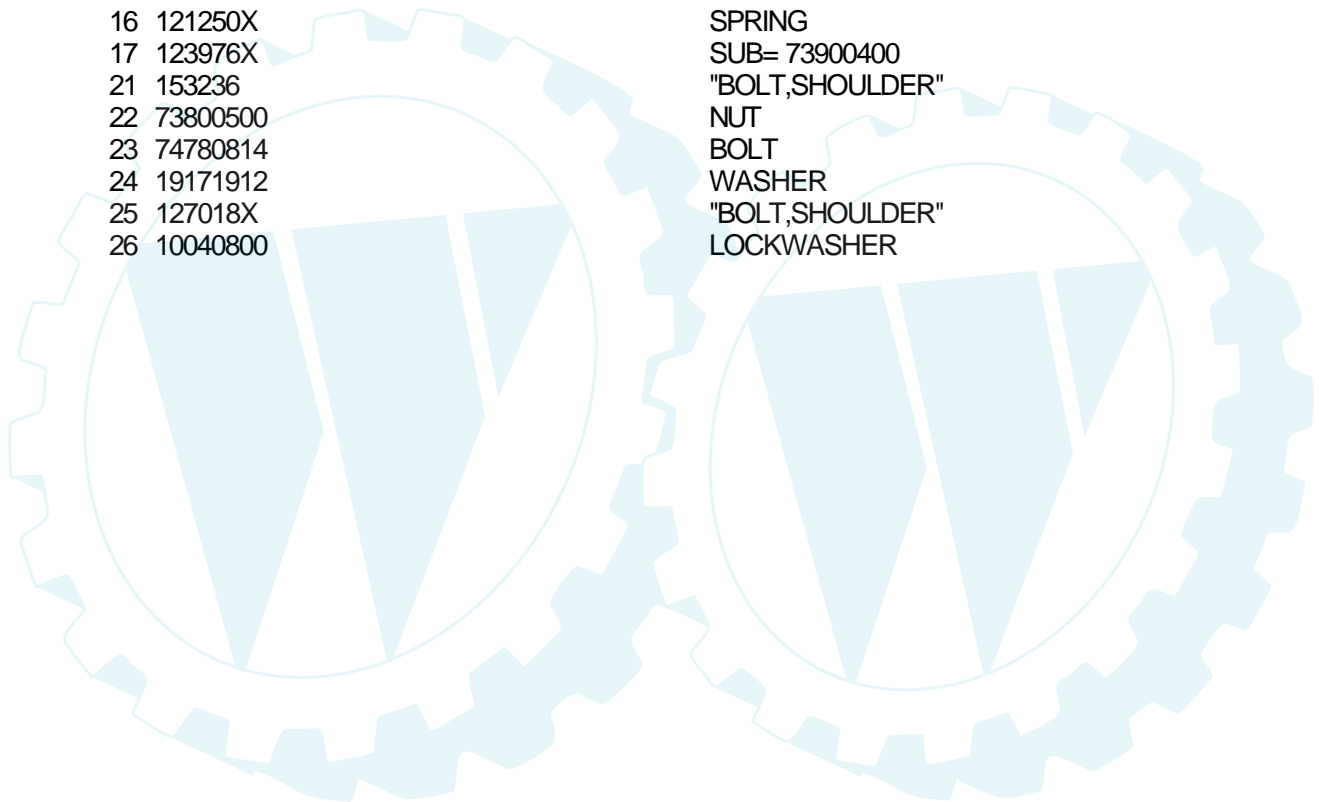
| Ref # | Part Number  | Qty | Description              |
|-------|--------------|-----|--------------------------|
|       | 1 138956     |     | DECAL.DASH.INSTR.        |
|       | 2 126171X    |     | "DECAL,GRILL"            |
|       | 3 272440     |     | DECAL, HP ENGINE         |
|       | 4 152472     |     | DECAL GRILLE COOP        |
|       | 6 133795     |     | DECAL CAUTION            |
|       | 7 101892X    |     | DECAL T                  |
|       | 8 152473     |     | DECAL LOGO FENDER        |
|       | 9 126658X    |     | DECAL.STRIPE.GR          |
|       | 10 135013    |     | NLA                      |
|       | 11 137259    |     | "DECAL, WARNING"         |
|       | 12 152470    |     | DECAL HOOD RH            |
|       | 13 126175X   |     | "DECAL,STR WHL T"        |
|       | 14 152471    |     | DECAL HOOD LH            |
|       | 15 146451    |     | DECAL.BTRY.DANGER        |
|       | 16 140837    |     | DECAL BRAK PARK          |
|       | 17 136832    |     | DECAL                    |
|       | 138311       |     | DECAL HANDLE LIFT        |
|       | 145761       |     | "MANUAL.OP.GEN.38""      |
|       | 152401       |     | MANUAL.P.T1238A          |
|       | LSB42        |     | SNOW THROWER             |
|       | LBD48        |     | SNOW BLADE               |
|       | LC05         |     | WHEEL WTS.               |
|       | CH12         |     | TIRE CHAINS              |
|       | MK380        |     | KIT.MULCHER              |
|       | C38          |     | GRASS CATCHER            |
|       | 1 59192      |     | VALVE CAP                |
|       | 2 65139      |     | VALVE STEM LT            |
|       | 3 106222X    |     | SUB= 122073X             |
|       | 4 59904      |     | TUBE.5.3/4.5/6           |
|       | 5 106732X427 |     | "RIM ASM 6"" FRT"        |
|       | 6 278H       |     | FITTING LT               |
|       | 7 9040H      |     | "FLANGE, BEARING"        |
|       | 8 106108X427 |     | "RIM AS 8"" REAR"        |
|       | 9 124635X    |     | SUB= 126957X             |
|       | 10 7152J     |     | TUBE.18X9.5-8            |
|       | 11 104757X   |     | HUB CAP                  |
|       | 144334       |     | SEALANT.TIRE 10 OZ. TUBE |

# TRACTOR - - MODEL NUMBER T1238A

## SEAT ASSEMBLY



| Ref # | Part Number | Qty | Description       |
|-------|-------------|-----|-------------------|
| 1     | 127426X     |     | SUB= 140119       |
| 2     | 140551      |     | BRACKET PVT SEAT  |
| 3     | 74760616    |     | BOLT              |
| 4     | 19131610    |     | WASHER PM         |
| 5     | 145006      |     | CLIP.PUSH-IN.HING |
| 6     | 73800600    |     | NUT               |
| 7     | 124181X     |     | SPRING COMPRESSIO |
| 8     | 17490616    |     | SCREW GTV         |
| 9     | 19131614    |     | WASHER            |
| 10    | 140552      |     | SUB= 155925       |
| 12    | 121246X     |     | BRKT SWITCH       |
| 13    | 121248X     |     | BUSHING           |
| 14    | 72050411    |     | SUB= 872050411    |
| 15    | 134300      |     | SPLIT SPACER      |
| 16    | 121250X     |     | SPRING            |
| 17    | 123976X     |     | SUB= 73900400     |
| 21    | 153236      |     | "BOLT,SHOULDER"   |
| 22    | 73800500    |     | NUT               |
| 23    | 74780814    |     | BOLT              |
| 24    | 19171912    |     | WASHER            |
| 25    | 127018X     |     | "BOLT,SHOULDER"   |
| 26    | 10040800    |     | LOCKWASHER        |

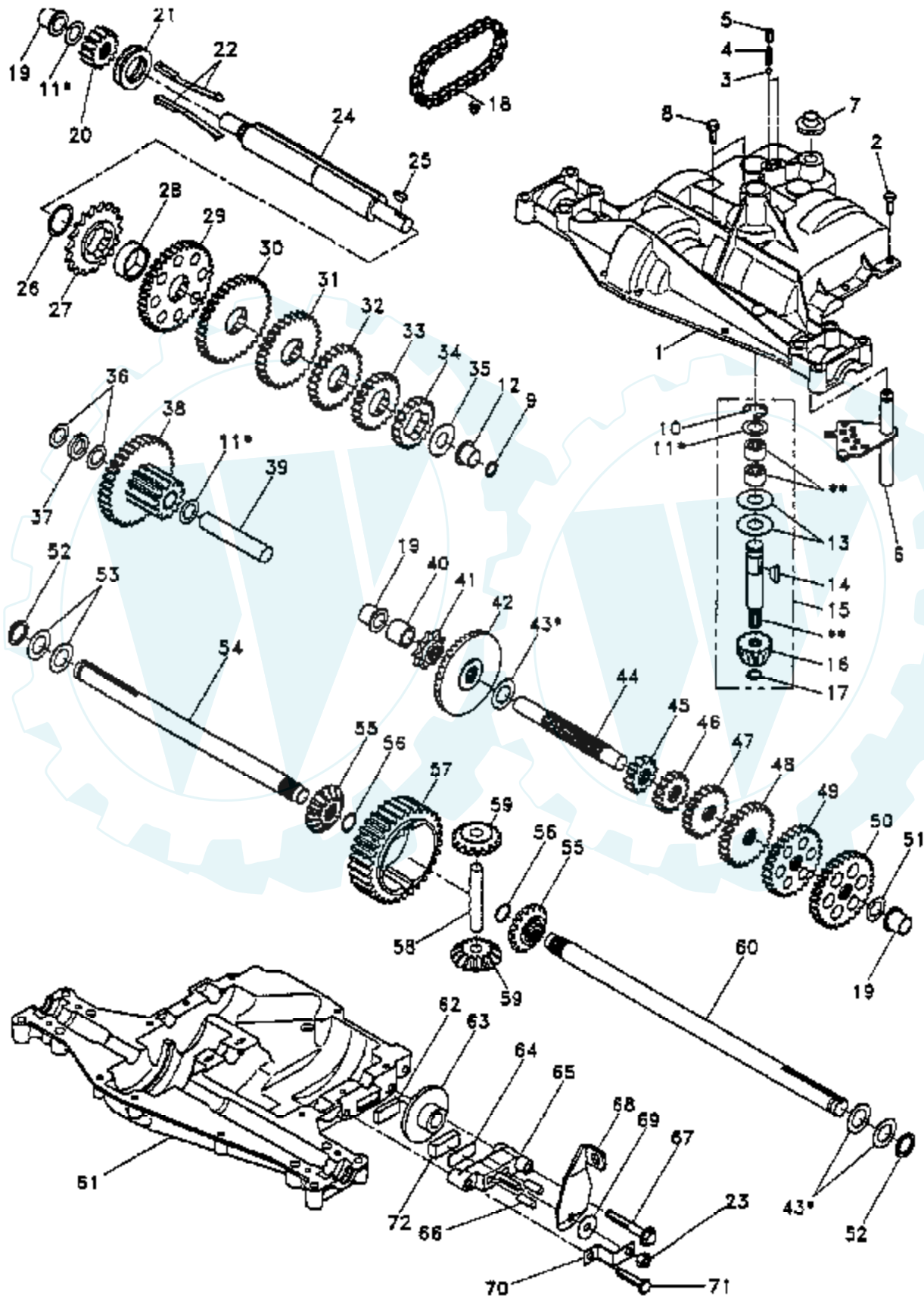




| Ref # | Part Number | Qty | Description         |
|-------|-------------|-----|---------------------|
| 1     | 133741      |     | SUB= 150547         |
| 2     | 142033      |     | AXLE ASM FRONT      |
| 3     | 135227      |     | SPINDLE LH          |
| 4     | 135228      |     | SPINDLE RH          |
| 5     | 6266H       |     | WASHER .T           |
| 6     | 121748X     |     | WASHER              |
| 8     | 12000029    |     | RING                |
| 9     | 3366R       |     | COL. SRTG. BEAR.    |
| 10    | 130468      |     | SUB= 532130468      |
| 11    | 10040600    |     | LOCKWASHER          |
| 12    | 73610600    |     | SUB= 7810H          |
| 13    | 110438X     |     | BEARING             |
| 14    | 74011056    |     | BOLT HEX 5/8-11     |
| 15    | 73901000    |     | "NUT-LOC,FLANGE LT" |
| 16    | 132624      |     | AXLE PIN            |
| 17    | 132614      |     | SHAFT ASM           |
| 18    | 57079       |     | THRUST WASHER       |
| 19    | 124035X     |     | SUPPORT.SHAFT       |
| 20    | 126684X     |     | SUB= 532126684      |
| 21    | 10040400    |     | LOCKWASHER          |
| 22    | 71100410    |     | SCREW.SCKTHD.CAP    |
| 23    | 127501      |     | SUB= 918127501      |
| 24    | 109816X     |     | NYLINER T           |
| 25    | 124036X     |     | "BRKT,STEERING"     |
| 26    | 126847X     |     | BUSHING.DRAGLINK    |
| 27    | 136874      |     | GEAR SECTOR         |
| 28    | 19131416    |     | WASHER              |
| 29    | 17490612    |     | SCREW               |
| 30    | 76020412    |     | COTTER PIN          |
| 32    | 130465      |     | TIE ROD             |
| 36    | 132196      |     | SUB= 155106         |
| 37    | 17431008    |     | SUB= 98000165       |
| 38    | 133742      |     | ST WHL INSERT CAP   |
| 39    | 19133808    |     | WASHER T            |
| 40    | 7810H       |     | GRIPCO NUT          |
| 41    | 104820X     |     | ADAPTER-WHEEL LT    |
| 42    | 124418X     |     | "TUBE, STR SHAFT"   |
| 43    | 121749X     |     | WASHER              |
| 46    | 121232X     |     | CAP                 |
| 47    | 6855M       |     | ZERK M              |
| 62    | 149684      |     | SUB= 156593         |

# TRACTOR -- MODEL NUMBER T1238A

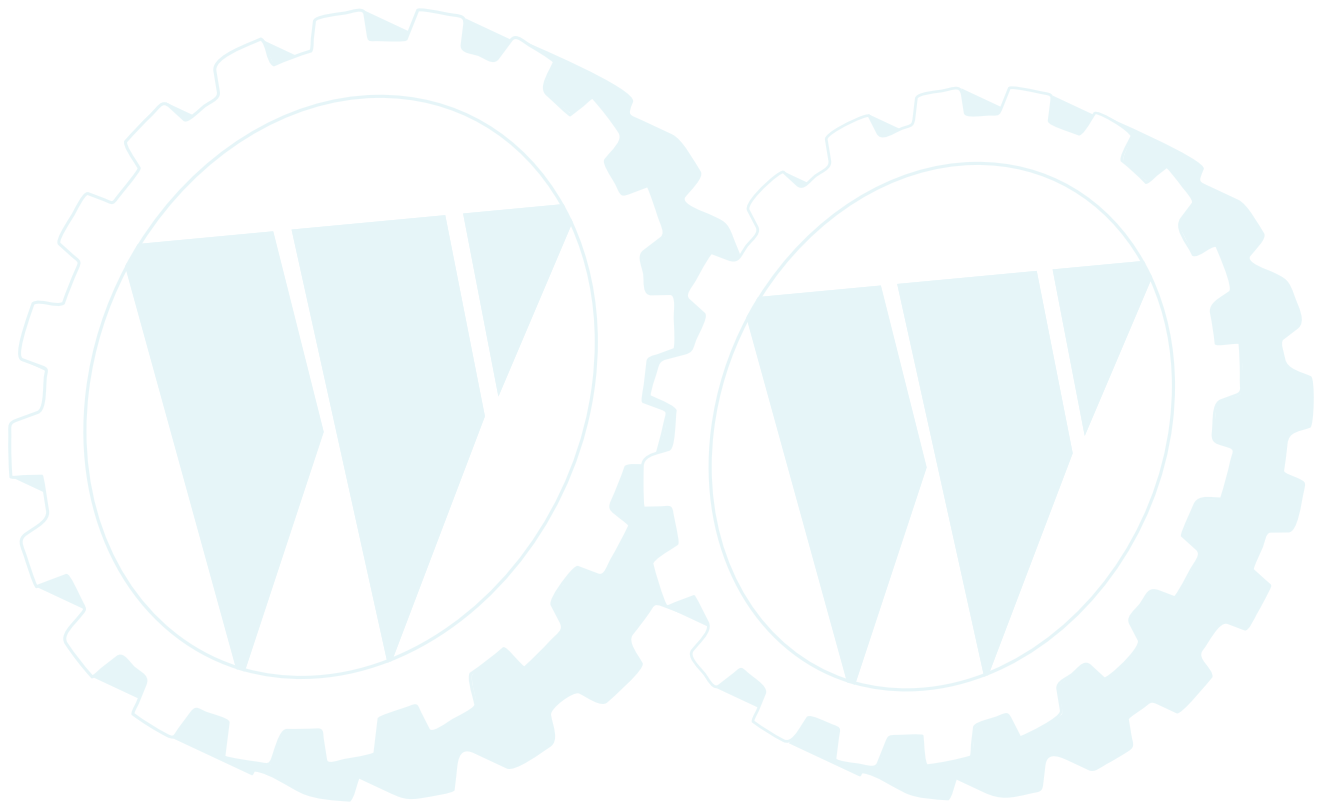
## DANA TRANSAXLE -- MODEL NUMBER 4360-79



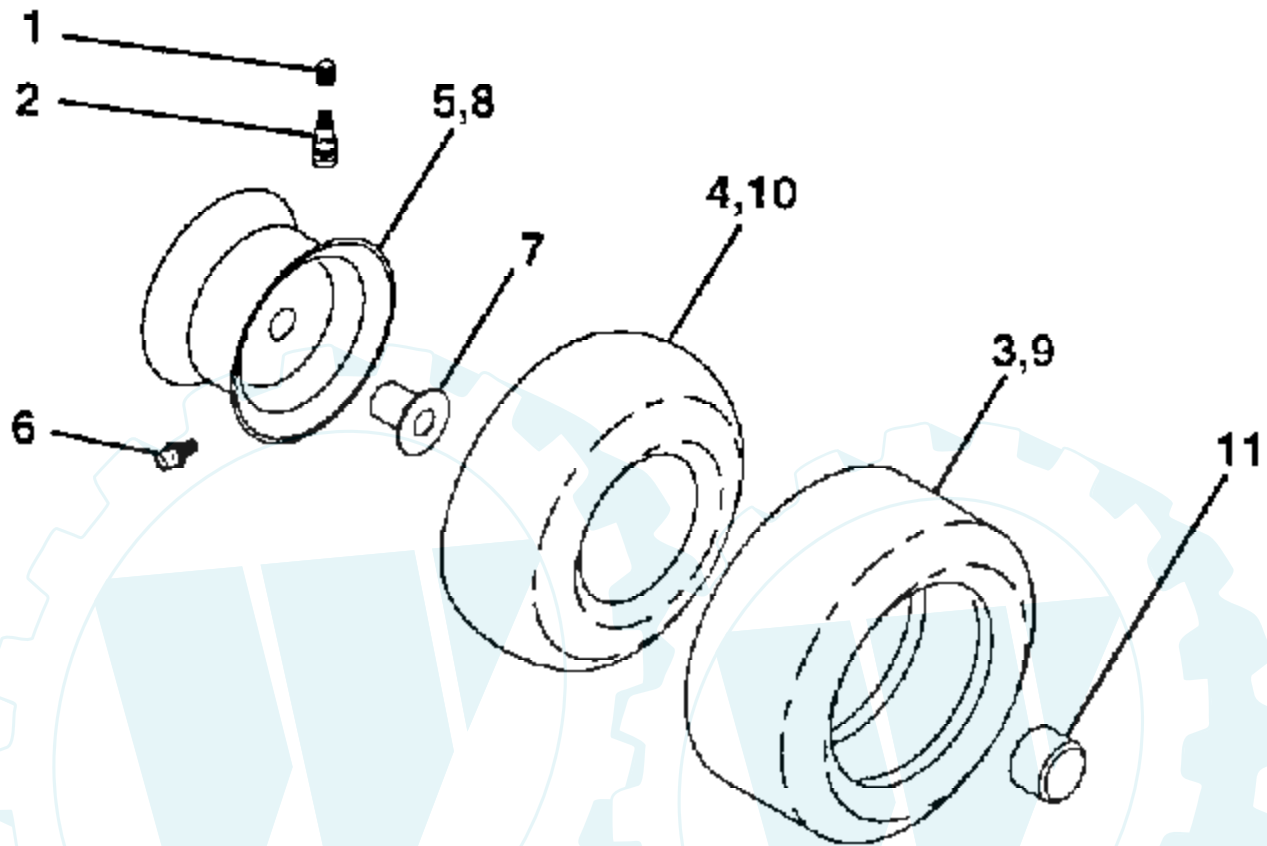
| Ref # | Part Number | Qty | Description         |
|-------|-------------|-----|---------------------|
| 1     | 142671      |     | HOUSING UPPER TRN   |
| 2     | 2274J       |     | SUB= 74760412       |
| 3     | 134400      |     | SUB= 68003          |
| 4     | 105904X     |     | "SPRING, DETENT LT" |
| 5     | 105905X     |     | "SCREW, SET LT"     |
| 6     | 138235      |     | KIT SHIFTER ASM     |
| 7     | 134399      |     | SHIFTER BOOT        |
| 8     | 134791      |     | SCREW TAP W/SEAL    |
| 9     | 138241      |     | SQUARE RING         |
| 10    | 142672      |     | SUB= 2225J          |
| 11    | 134793      |     | ASM KIT SHIM 4689   |
| 12    | 142673      |     | BEARING FLAN-DANA   |
| 13    | 120415X     |     | WASHER T            |
| 14    | 142674      |     | KEY WOODRUFF-DANA   |
| 15    | 138234      |     | AS KIT INPUT SHFT   |
| 16    | 110078X     |     | PINION 14T T        |
| 17    | 105909X     |     | "RING,RETAINING LT" |
| 18    | 105910X     |     | "CHAIN,24 PTCH LT"  |
| 19    | 105911X     |     | BEARING.FLNG.5510   |
| 20    | 142675      |     | GEAR SPUR 14 TTH    |
| 21    | 138246      |     | COLLAR CLUTCH       |
| 22    | 138236      |     | ASM KIT CLTCH KEY   |
| 23    | 73810500    |     | NUT.LOCK.5/16-24    |
| 24    | 142676      |     | SHAFT INTERM DANA   |
| 25    | 2244J       |     | WOODRUFF KEY        |
| 26    | 105916X     |     | "RING,RETAINING LT" |
| 27    | 120470X     |     | SPROCKET 18T T      |
| 28    | 110070X     |     | SPACER YT           |
| 29    | 142677      |     | GEAR SPUR 37 TTH    |
| 30    | 142681      |     | GEAR SPUR 35 TTH    |
| 31    | 120405X     |     | SUB= 124644X        |
| 32    | 108980X     |     | GEAR 25T LT         |
| 33    | 120406X     |     | GEAR SPUR 22 TT     |
| 34    | 134796      |     | SPUR GEAR 19T       |
| 35    | 105925X     |     | "WASHER, PLAIN LT"  |
| 36    | 2232J       |     | WASHER 025          |
| 37    | 108978X     |     | SPACER              |
| 38    | 110079X     |     | ASSM GEAR COMB      |
| 39    | 124639X     |     | SHAFT IDLER         |
| 40    | 120472X     |     | SPACER T            |
| 41    | 105928X     |     | SPROCKET 9T LT      |
| 42    | 110084X     |     | SUB= 167148         |
| 43    | 134394      |     | ASM KIT SHIM        |
| 44    | 120473X     |     | SHAFT T             |
| 45    | 142678      |     | GEAR SPUR 12 TTH    |
| 46    | 142679      |     | GEAR SPUR 15 TTH    |
| 47    | 120407X     |     | SUB= 124641X        |
| 48    | 120408X     |     | GEAR 28T T          |
| 50    | 105937X     |     | "GEAR, SPUR 31T LT" |
| 51    | 2226J       |     | WASHER 060          |
| 52    | 134401      |     | NEOPRENE WASHER     |
| 53    | 2264J       |     | WASHER 031          |
| 54    | 120474X     |     | SUB= 154658         |
| 55    | 110081X     |     | GEAR 15T T          |
| 56    | 105941X     |     | "RING,RETAINING LT" |
| 57    | 110071X     |     | SUB= 120478X        |
| 58    | 120952X     |     | SHAFT T             |
| 59    | 110082X     |     | GEAR 15T T          |



| Ref # | Part Number | Qty | Description         |
|-------|-------------|-----|---------------------|
| 60    | 120475X     |     | SUB= 154659         |
| 61    | 142680      |     | HOUSING LOWER TNS   |
| 62    | 120961X     |     | PUCK T              |
| 63    | 7294J       |     | BRAKE DISC. T       |
| 64    | 108989X     |     | SPACER LT           |
| 65    | 120953X     |     | SUB= 918120953X     |
| 66    | 120954X     |     | PIN T               |
| 67    | 134799      |     | TAP SCREW           |
| 68    | 138244      |     | SUB= 108992X        |
| 69    | 108996X     |     | WASHER LT           |
| 70    | 120956X     |     | NLA                 |
| 71    | 106596X     |     | "SCREW, TAPPING LT" |
| 72    | 120951X     |     | PUCK T              |
| 73    | 120416X     |     | SUB= 126976X        |

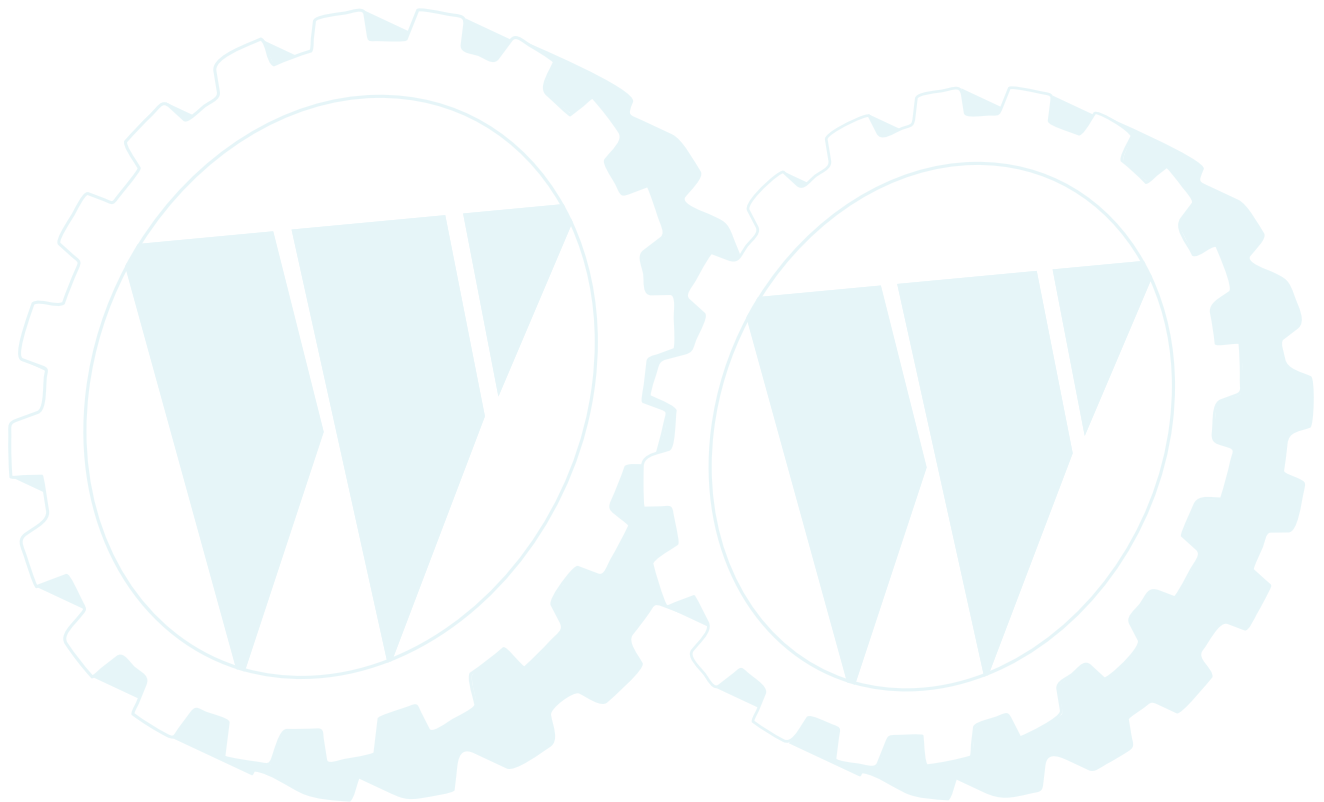


## WHEELS & TIRES

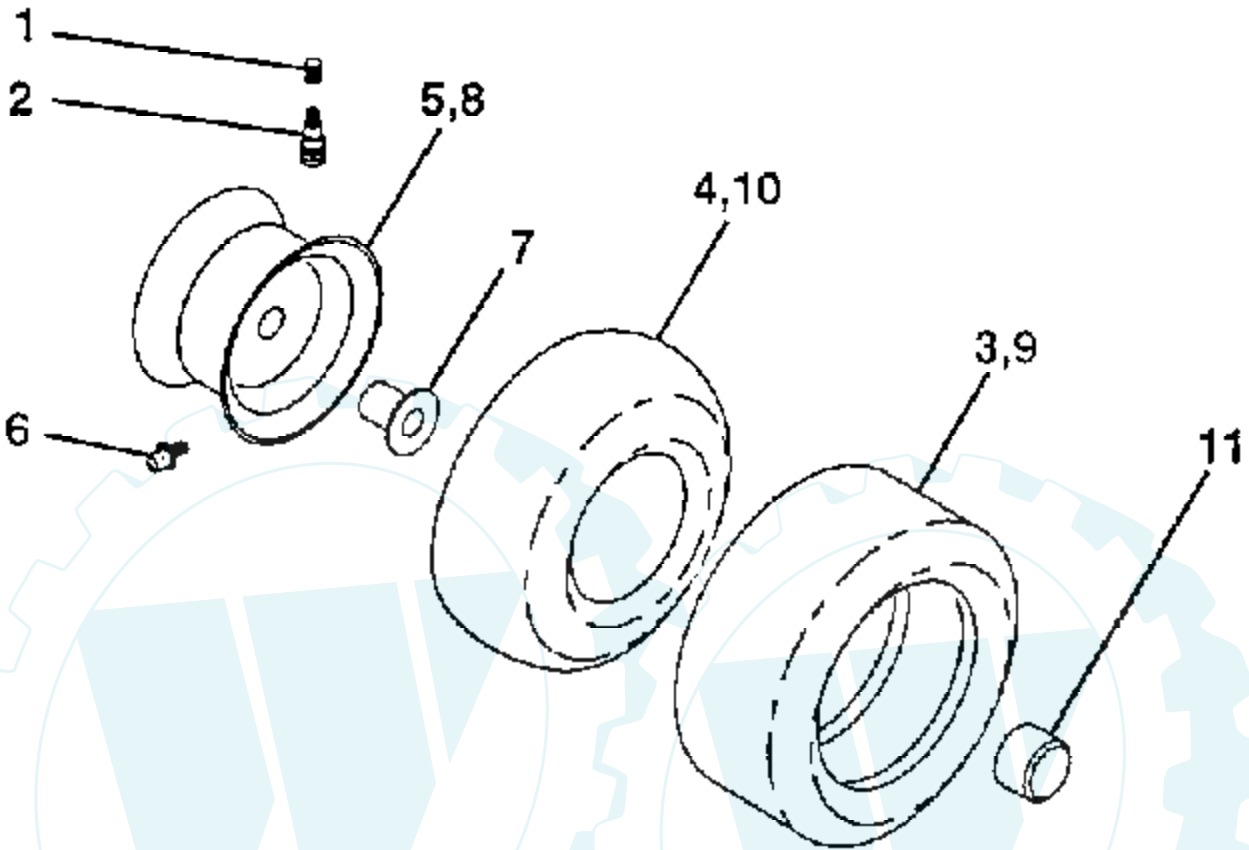


**NOTE:** All component dimensions given in U.S. inches  
1 inch = 25.4 mm.

| Ref # | Part Number | Qty | Description              |
|-------|-------------|-----|--------------------------|
| 1     | 59192       |     | VALVE CAP                |
| 2     | 65139       |     | VALVE STEM LT            |
| 3     | 106222X     |     | SUB= 122073X             |
| 4     | 59904       |     | TUBE.5.3/4.5/6           |
| 5     | 106732X427  |     | "RIM ASM 6"" FRT"        |
| 6     | 278H        |     | FITTING LT               |
| 7     | 9040H       |     | "FLANGE, BEARING"        |
| 8     | 106108X427  |     | "RIM AS 8"" REAR"        |
| 9     | 124635X     |     | SUB= 126957X             |
| 10    | 7152J       |     | TUBE.18X9.5-8            |
| 11    | 104757X     |     | HUB CAP                  |
|       | 144334      |     | SEALANT.TIRE 10 OZ. TUBE |



## WHEELS AND TIRES



**NOTE:** All component dimensions given in U.S. inches  
1 inch = 25.4 mm

| Ref # | Part Number | Qty | Description              |
|-------|-------------|-----|--------------------------|
| 1     | 59192       |     | VALVE CAP                |
| 2     | 65139       |     | VALVE STEM LT            |
| 3     | 106222X     |     | SUB= 122073X             |
| 4     | 59904       |     | TUBE.5.3/4.5/6           |
| 5     | 106732X427  |     | "RIM ASM 6"" FRT"        |
| 6     | 278H        |     | FITTING LT               |
| 7     | 9040H       |     | "FLANGE, BEARING"        |
| 8     | 106108X427  |     | "RIM AS 8"" REAR"        |
| 9     | 122082X     |     | SUB= 918122082X          |
| 10    | 7152J       |     | TUBE.18X9.5-8            |
| 11    | 104757X     |     | HUB CAP                  |
|       | 144334      |     | SEALANT.TIRE 10 OZ. TUBE |

