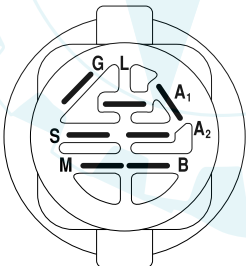
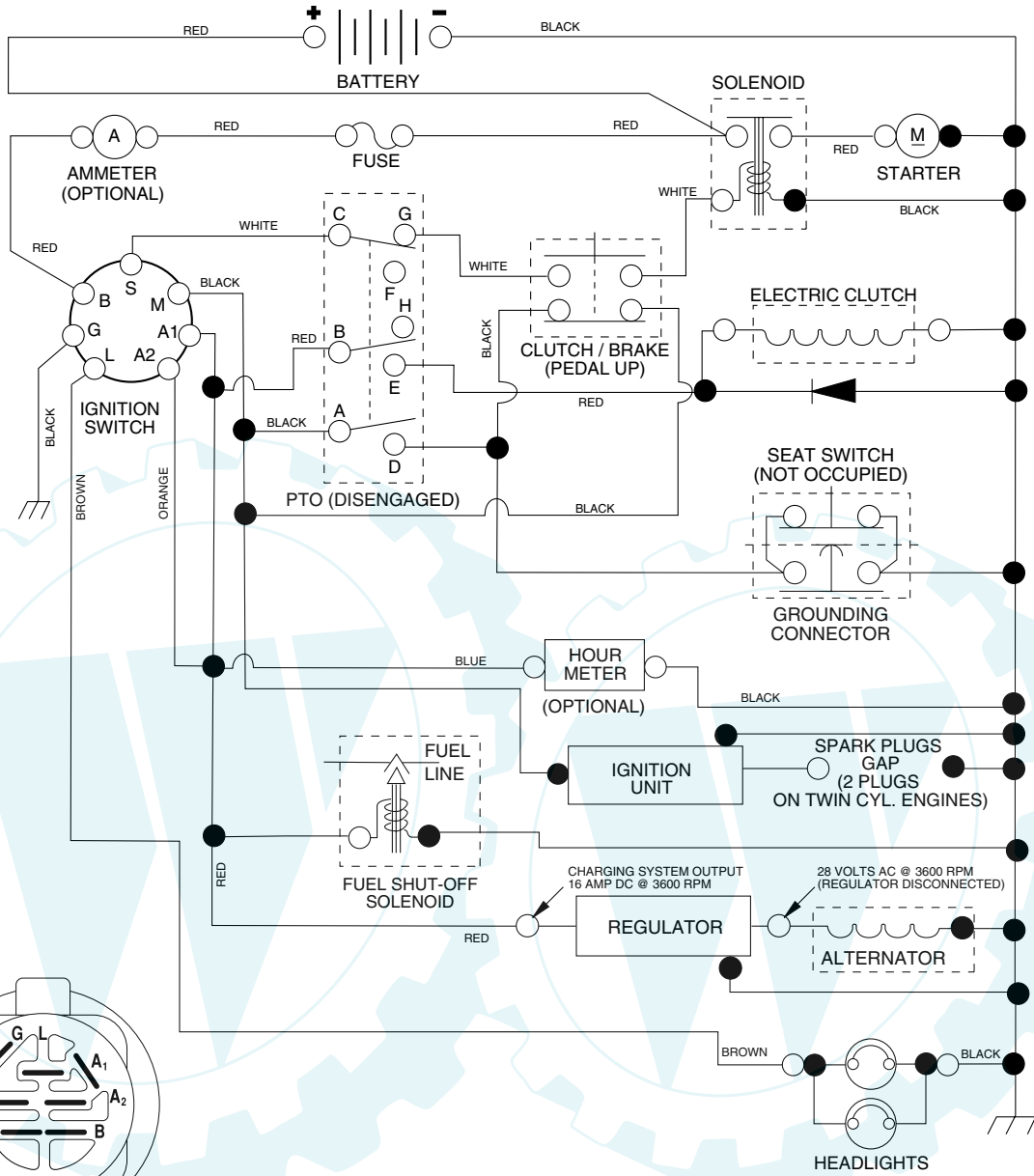


SCHEMATIC



IGNITION SWITCH

POSITION	CIRCUIT	"MAKE"
OFF	M + G + A1	NONE
ON + LIGHTS	B + A1	L + A2
ON	B + A1	NONE
START	B + S + A1	NONE

WIRING INSULATED CLIPS
 NOTE: IF WIRING INSULATED CLIPS WERE REMOVED FOR SERVICING OF UNIT, THEY SHOULD BE REPLACED TO PROPERLY SECURE YOUR WIRING.

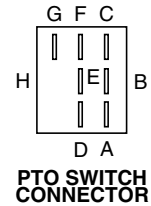
02743

PTO SWITCH

POSITION	CIRCUIT
OFF	C + G, B + H
ON	C + F, B + E, A + D

○
 REMOVABLE CONNECTIONS

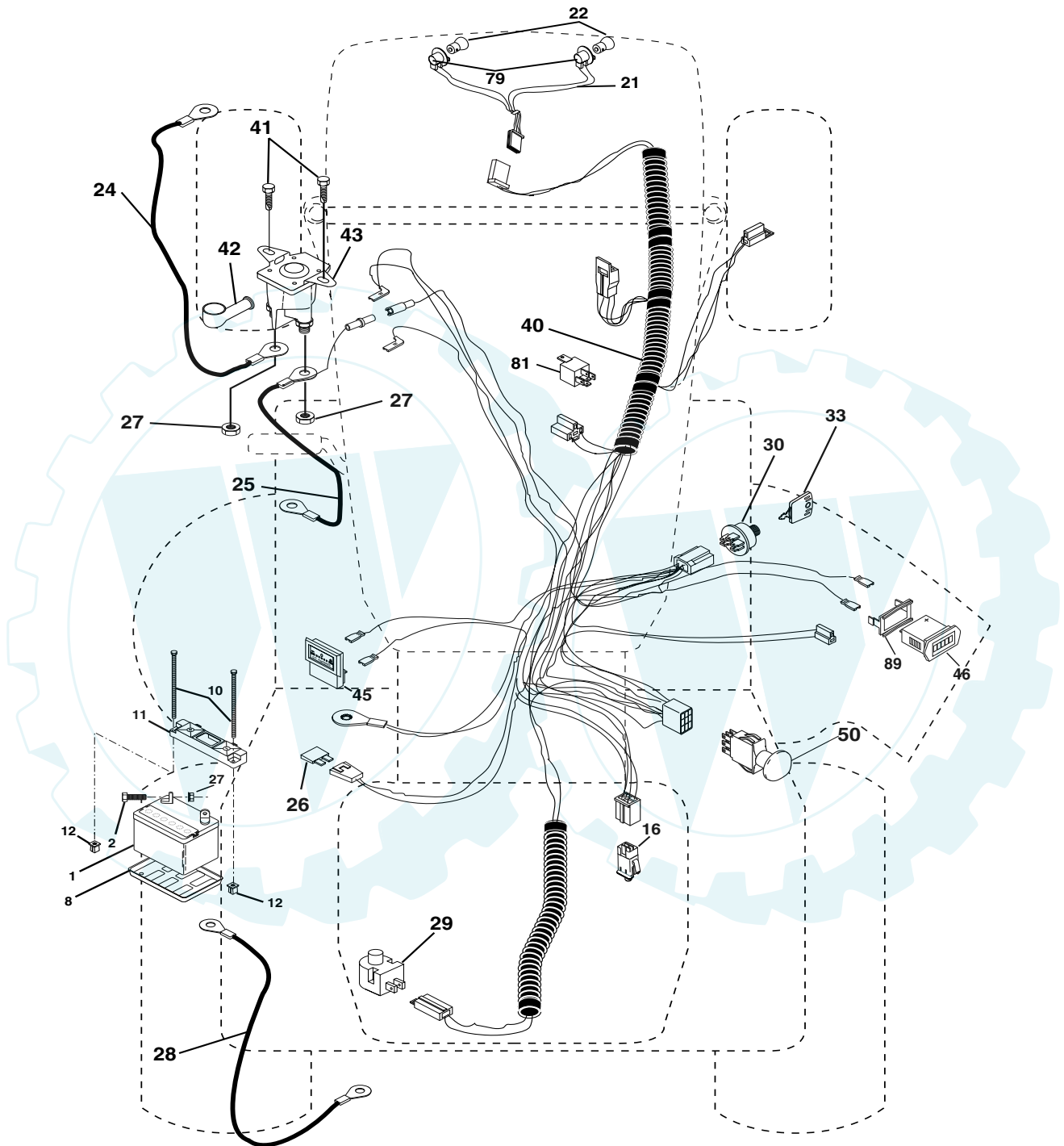
●
 NON-REMOVABLE CONNECTIONS



REPAIR PARTS

TRACTOR - MODEL NUMBER SPGT25H54A

ELECTRICAL

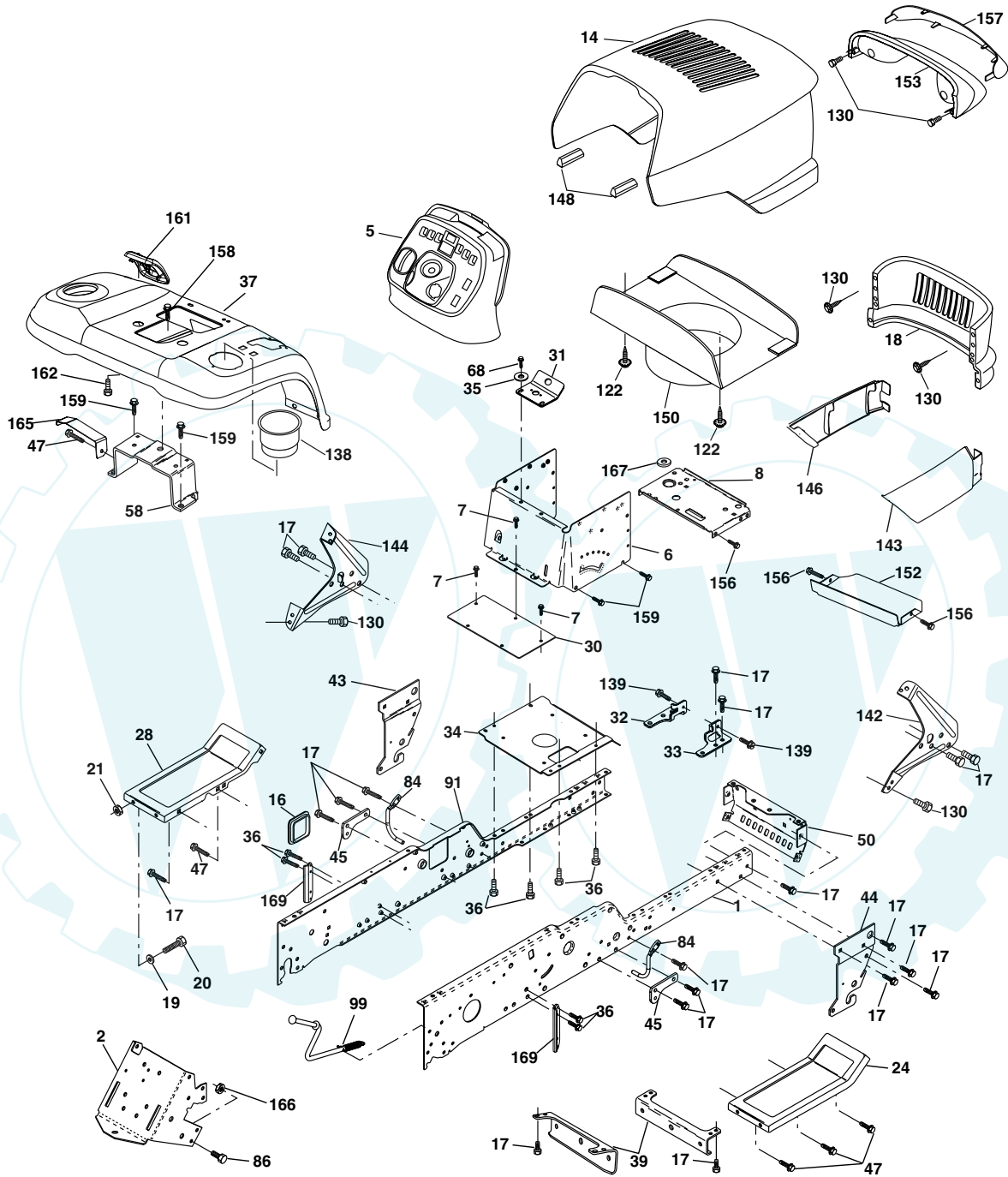


ELECTRICAL

KEY NO.	PART NO.	DESCRIPTION
1	144927	Battery
2	74760412	Bolt Hex Head 1/4-20 x 3/4
8	7603J	Tray, Battery
10	145211	Bolt Btr Frt 1/4-20 x 7.5 zinc
11	150109	Holdown Battery Front Mount
12	145769	Nut Push Nylon 1/4"
16	176138	Switch Interlock Push-In
21	175688	Harness Headlight w/Bulbs
22	4152J	Bulb Light
24	185464	Cable, Battery
25	146149	Cable, Battery
26	108824X	Fuse
27	73510400	Nut Keps Hex 1/4-20 unc
28	170697	Cable, Ground
29	160784	Switch, Plunger
30	175566	Switch, Ign
33	140401	Key
40	188032	Harness, Ignition
41	17720408	Screw 1/4-20 x 1/2
42	131563	Cover, Terminal Red
43	178861	Solenoid
45	122822X	Ammeter
46	169635	Hourmeter Snap-In
50	174651	Switch, PTO
79	175242	Socket, Light Bulb
81	109748X	Relay Asm.
89	169639	Bracket Snap-In

NOTE: All component dimensions given in U.S. inches.
1 inch = 25.4 mm.

TRACTOR - MODEL NUMBER SPGT25H54A CHASSIS AND ENCLOSURES



chassis-stealth II_1

TRACTOR - MODEL NUMBER SPGT25H54A

CHASSIS AND ENCLOSURES

KEY PART
NO. NO.

DESCRIPTION

1	180375	Rail, Frame RH
2	175282	Drawbar, Gt
5	187934X428	Dash
6	157882	Dash Asm., Lower
7	17720408	Screw, Thd Cut 1/4-20 x 1/2
8	184668	Support, Battery
14	175260X505	Hood Asm., Pnt
16	121794X	Cover, Access
17	17000612	Screw, 3/8-16 x 3/4
18	175289X428	Grille
19	19131312	Washer 13/32 x 13/16 x 12 Ga.
20	74780616	Bolt, Fin Hex 3/8-16 x 1
21	73800600	Nut, Lock Hex w/Ins. 3/8-16 unc
24	179717X505	Footrest, RH
28	179716X505	Footrest, LH
30	145052	Saddle, Hydro 1995
31	161419	Bracket, Supt 1-pc VGT Steering
32	161327	Bracket, Pivot Chassis LH
33	161326	Bracket, Pivot Chassis RH
34	177018	Plate Asm. Engine Chassis
35	19111116	Washer 11/32 x 11/16 x 16 Ga.
36	17060512	Screw 5/16-18 x 3/4
37	178510X505	Fender, Pnt.
39	175278	Bracket, Axle Front
43	136939	Bracket, Spnsn Front Lh
44	136940	Bracket, Spnsn Front Rh
45	187270	Bracket Asm., Susp Chassis
47	17490608	Screw Thdrol 3/8-16 x 1/2 TYT
50	175476	Bracket, Chassis Front
58	183569	Bracket Asm., Fender
68	17490508	Screw, Thd 5/16-18 x 1/2

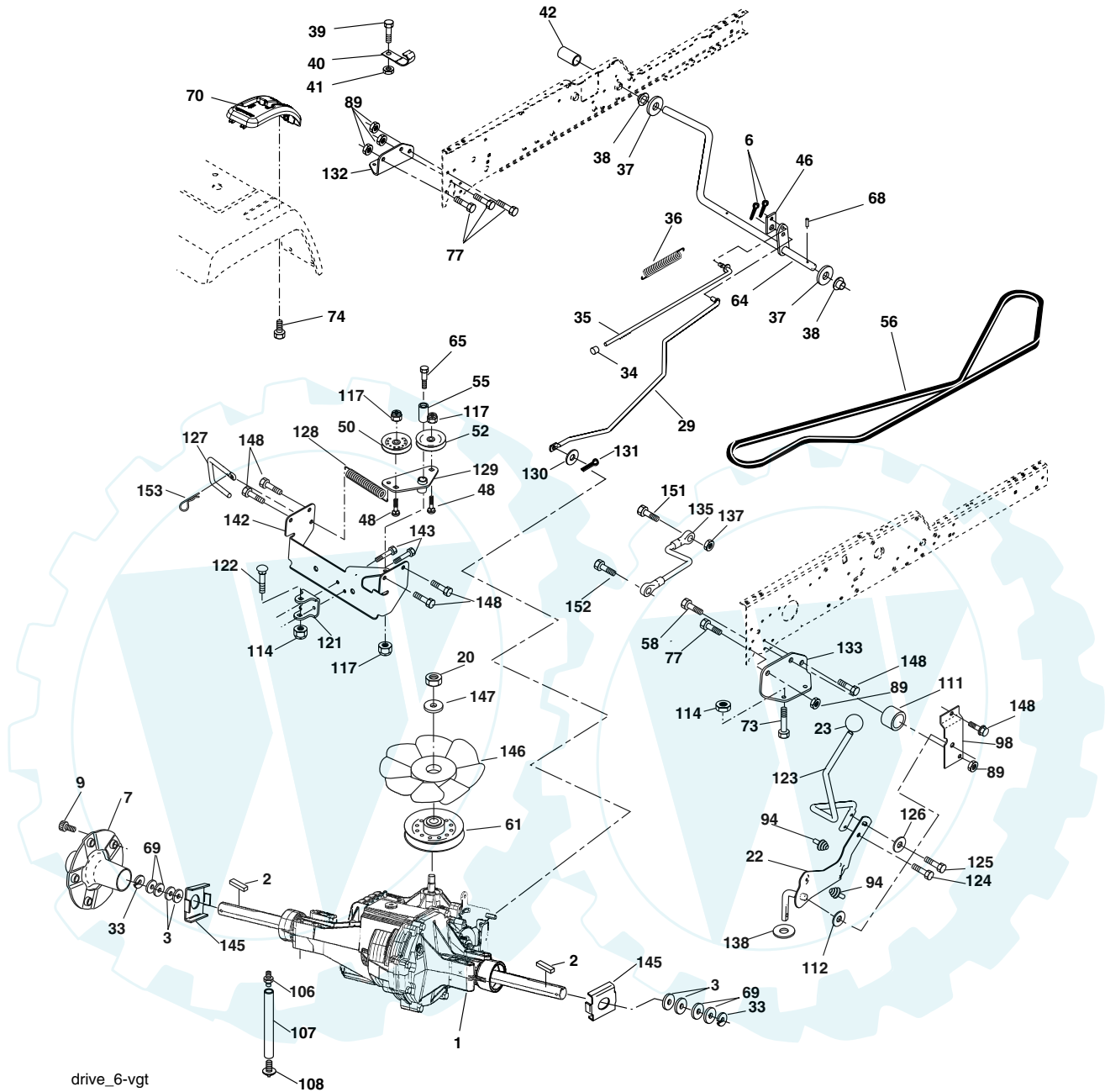
KEY PART
NO. NO.

DESCRIPTION

84	188164	Upstop
86	74780720	Bolt, Fin Hex 7/16-14 unc x 1-1/4 Gr. 5
91	180374	Rail, Frame Lh
99	177143	Rod By Pass
122	161464	Screw Hex Wshd 8-18 x 7/8
130	171875	Screw HWHD Hi-Lo #13-16 x 3/4
138	179125X428	Cupholder YGT
139	171873	Bolt Shoulder 5/16-18 TT
142	161897	Bracket Dash RH
143	169847X428	Skirt Grill RH
144	161900	Bracket Dash LH
146	169848X428	Skirt Grill LH
148	164655	Extrusion Bumper
150	175352	Duct Heat Hood
152	177956	Shield Browning
153	179761	Light Box Asm. w/Lens
156	17060512	Screw 5/16-18 x 3/4
157	161840	Lens, Bar
158	17670608	Screw Thdrol 3/8-16 x 1/2
159	17000612	Screw 3/8-16 x 3/4
161	179612X428	Console Fuel Window
162	142432	Screw 1/4-1/2
165	183554	Bracket Support Tank
166	73680700	Nut, Crownlock 7/16-14 unc
167	184672	Bushing Snap
169	188598	Bracket Chassis Sway

NOTE: All component dimensions given in U.S. inches
1 inch = 25.4 mm

DRIVE



drive_6-vgt

TRACTOR - MODEL NUMBER SPGT25H54A

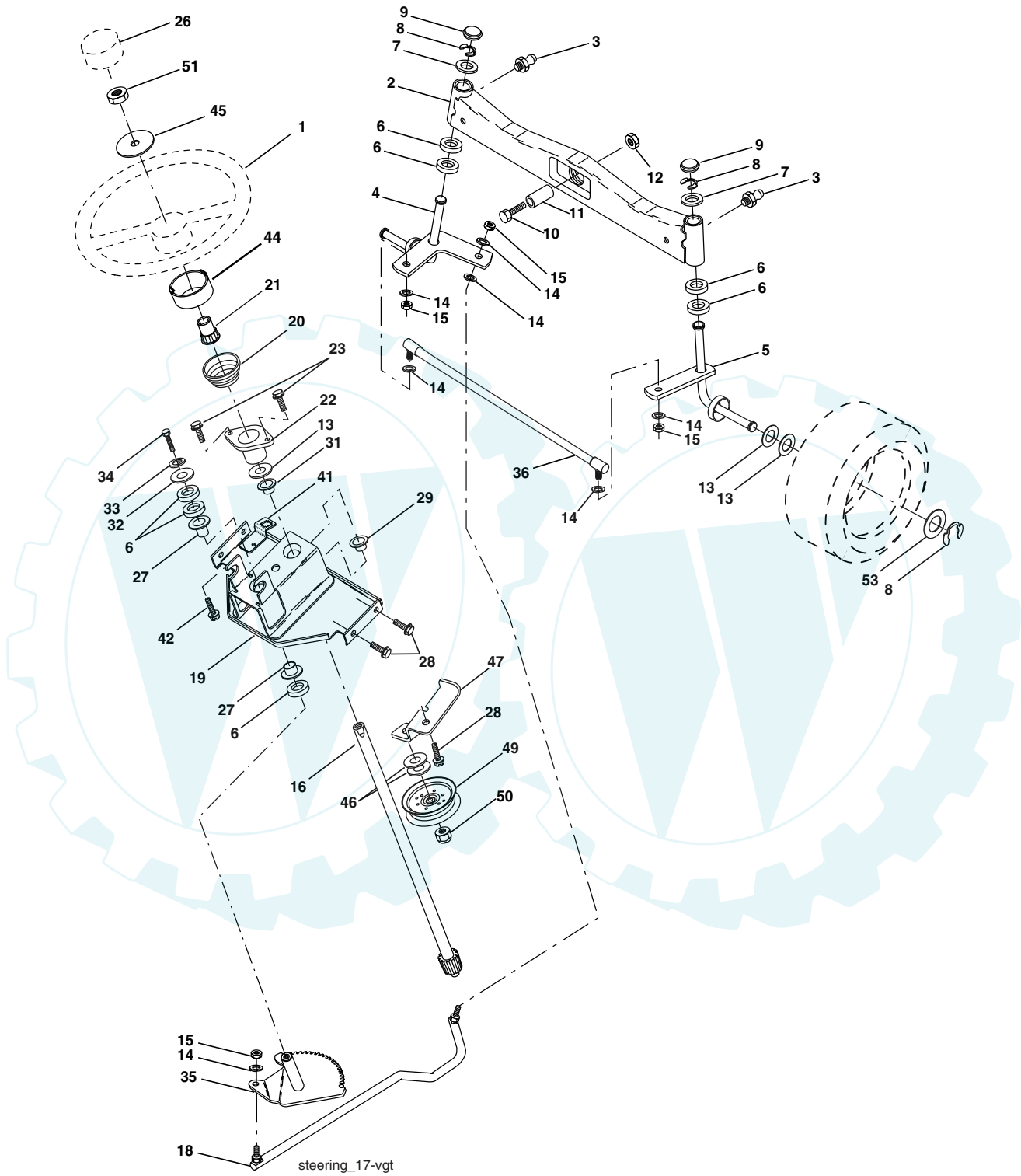
DRIVE

KEY NO.	PART NO.	DESCRIPTION	KEY NO.	PART NO.	DESCRIPTION
1	-----	Transaxle Hydro Gear 331-3000 (Order Parts From Transaxle Manufacturer)	89	73680700	Nut Crownlock 7/16-14 Unc
2	7070E	Key Sq. 1/4 x 2.5	94	133835	Fastener Christmas Tree
3	7563R	Washer Thrust	98	141004	Bracket Shift
6	76020412	Pin, Cotter	106	142918	O-Ring Asm Hydro Gear
7	140507	Wheel, Hub Assembly	107	154739	Line Fuel Hydro 15" VGT
9	140080	Bolt, Hub	108	142917	Cap Asm Vent Hydro Gear
20	73940800	Nut	111	156240	Spacer Shift Lever VGTH
22	180235	Lever Asm Shift	112	178558	Washer Nylon High Temp
23	140845	Knob	114	73800500	Nut Lock Hex W/Ins 5/16-18 Unc
29	176600	Brake, Rod	117	73900600	Nut, Lock Flg. 3/8-16
33	12000053	Ring E	121	175611	Bracket Strap Torque
34	71673	Cap, Parking Brake	122	72010520	Bolt 5/16-18 x 2.50
35	137648	Rod, Parking Brake	123	183254	Rod Shift
36	149412	Spring, Drive Ground	124	165492	Bolt Shoulder 5/16-18 x .561
37	121749X	Washer 25/32 x 1-1/4 x 16 Ga.	125	17490510	Screw 5/16-18 x 5/8
38	150035	Nyliner	126	166002	Washer SRRTD 5/16 ID x 1.0 x .125
39	74321016	Screw, Fin. #10-24 x 1	127	177362	Link Control Clutch
40	178575	Actuator, Interlock Switch	128	176624	Spring Drive GRND
41	73931000	Nut Centerlock 10-24 unc	129	179473	Bracket Asm Idler Tensioning
42	123533X	Cover, Pedal	130	19131016	Washer 13/32 x 5/8 x 16 Ga.
46	145170	Retainer, Spring	131	76020312	Pin Cotter 3/32 x 3/4
48	72110614	Bolt Carr. Shoulder 3/8-16 x 1-3/4 Gr. 5	132	175467	Bracket Mtg Hydro 3500 LH VGT
50	131494	Pulley, Idler, Flat	133	175468	Bracket Mtg Hydro 3500 RH VGT
52	127783	Pulley, Idler, Grooved	135	177364	Link Asm Control Hydro 3500
55	105706X	Bearing, Idler	137	1685H	Nut Lock 5/16-18 NC Thd.
56	161597	V-Belt	138	1370H	Washer Thrust 5/8 x 1.10 x 1/32
58	74760724	Bolt Fin Hex 7/16-14 x 1-1/2	142	175469	Strap Torque HG-3500
61	143995	Pulley, Transaxle	143	17000512	Screw 5/16-18 x 3/4
64	176601	Shaft, Brake Pedal	145	163168	Washer Axle Flange HG-3000
65	179613	Bolt, Shoulder	146	140462	Fan 7" Hydro
68	5142H	Pin, Roll	147	141322	Washer
69	123800X	Washer	148	17000612	Bolt Hex 7/16-14 x 1-1/4 Gr. 5
70	179121X428	Console Shift	151	74760514	Bolt Fin Hex 5/16-18 x 7/8
73	74490548	Bolt Hex Flghd 5/16-18 x 3 Gr. 5	152	178705	Bolt Hex 5/16-18 x 1
74	142432	Screw Hex Wsh. Hi-Lo 1/4-1/2	153	4497H	Spring Retainer
77	74780716	Bolt Fin Hex 7/16-14 x 1			

NOTE: All component dimensions give in U.S. inches.
1 inch = 25.4 mm

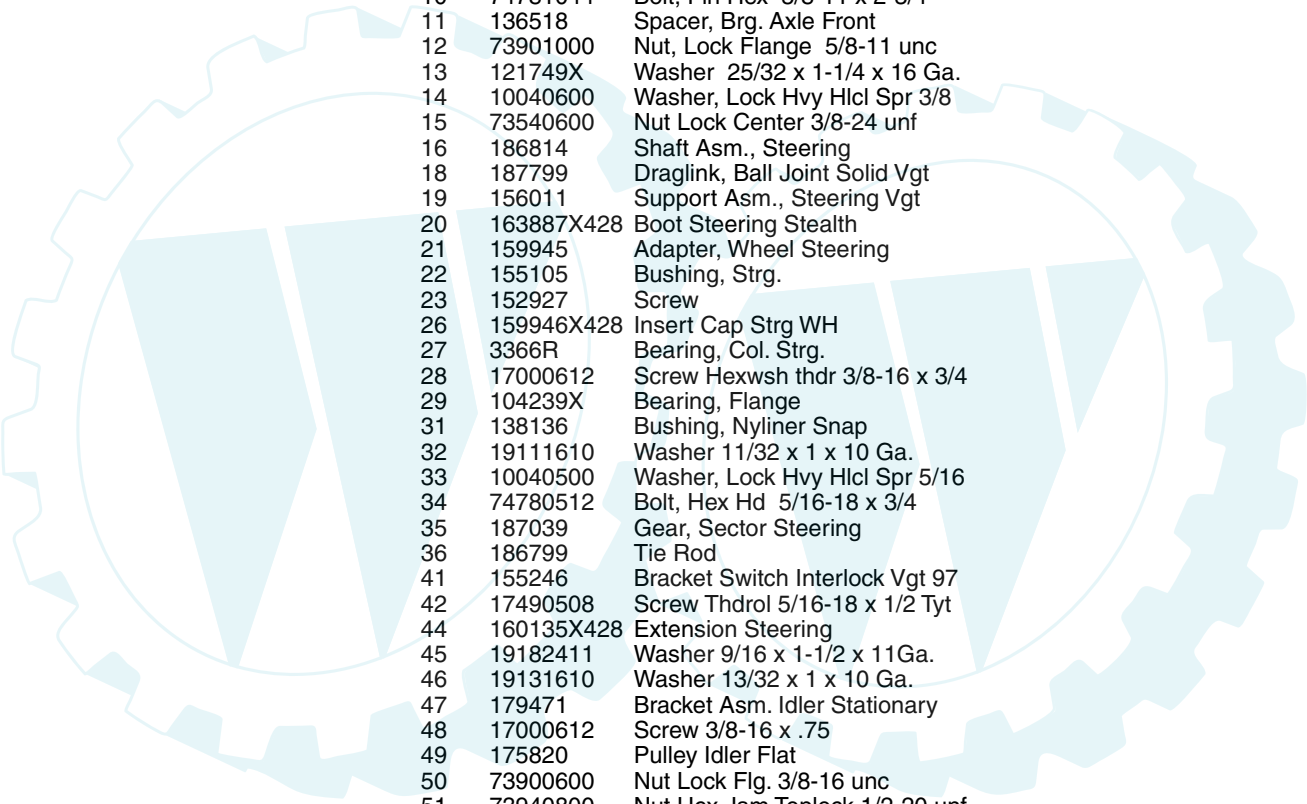
TRACTOR - MODEL NUMBER SPGT25H54A

STEERING ASSEMBLY



TRACTOR - MODEL NUMBER SPGT25H54A

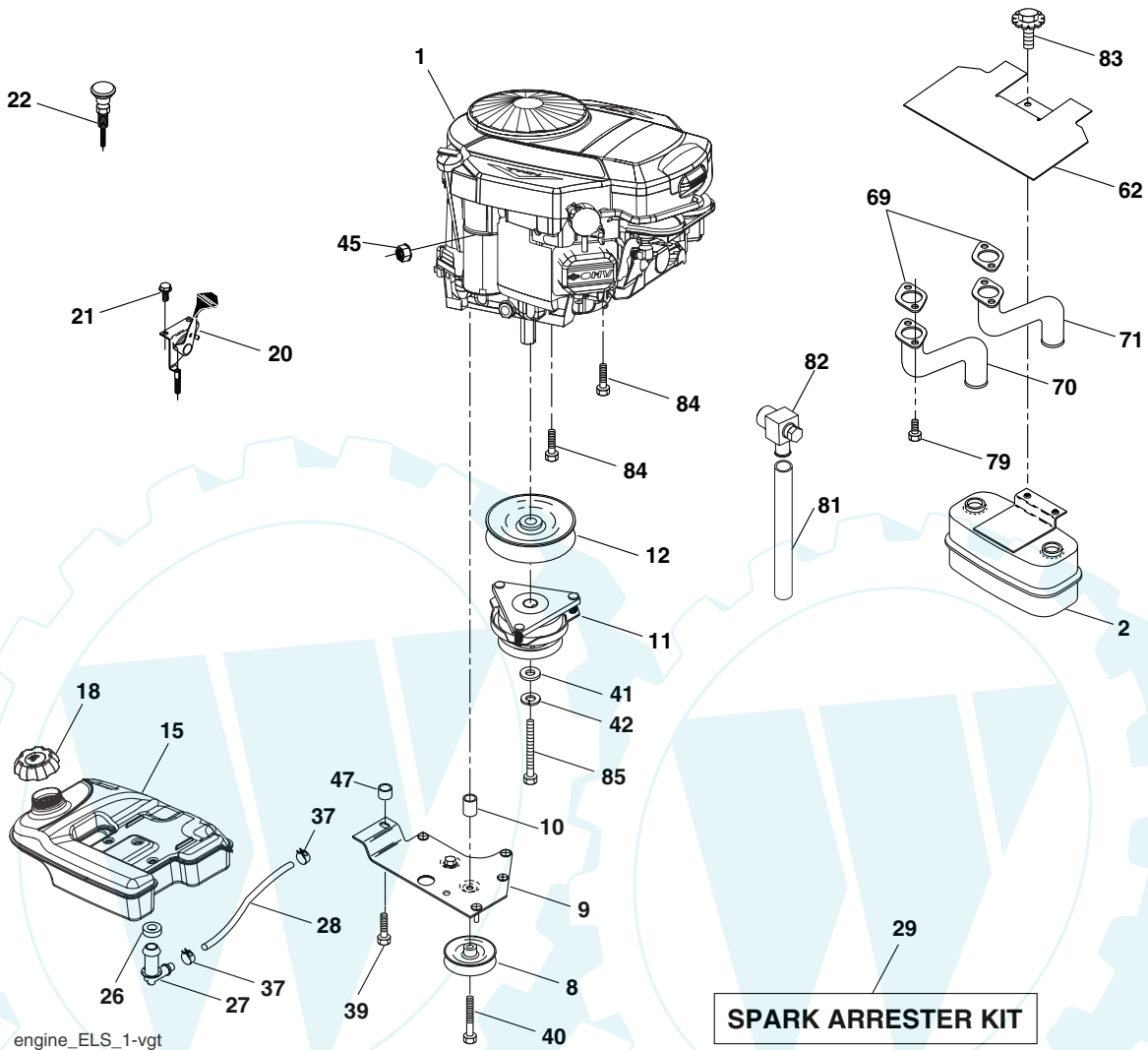
STEERING ASSEMBLY



KEY NO.	PART NO.	DESCRIPTION
1	184704X428	Wheel, Steering
2	178557	Axle Asm., Front
3	183226	Fitting, Grease
4	161849	Spindle Asm, LH
5	161848	Spindle Asm., RH
6	6266H	Bearing, Race Thrust Harden
7	121748X	Washer 25/32 x 1-5/8 x 16 Ga.
8	12000029	Ring, Klip #T5304-75
9	121232X	Cap, Spindle
10	74781044	Bolt, Fin Hex 5/8-11 x 2-3/4
11	136518	Spacer, Brg. Axle Front
12	73901000	Nut, Lock Flange 5/8-11 unc
13	121749X	Washer 25/32 x 1-1/4 x 16 Ga.
14	10040600	Washer, Lock Hvy Hlcl Spr 3/8
15	73540600	Nut Lock Center 3/8-24 unf
16	186814	Shaft Asm., Steering
18	187799	Draglink, Ball Joint Solid Vgt
19	156011	Support Asm., Steering Vgt
20	163887X428	Boot Steering Stealth
21	159945	Adapter, Wheel Steering
22	155105	Bushing, Strg.
23	152927	Screw
26	159946X428	Insert Cap Strg WH
27	3366R	Bearing, Col. Strg.
28	17000612	Screw Hexwsh thdr 3/8-16 x 3/4
29	104239X	Bearing, Flange
31	138136	Bushing, Nyliner Snap
32	19111610	Washer 11/32 x 1 x 10 Ga.
33	10040500	Washer, Lock Hvy Hlcl Spr 5/16
34	74780512	Bolt, Hex Hd 5/16-18 x 3/4
35	187039	Gear, Sector Steering
36	186799	Tie Rod
41	155246	Bracket Switch Interlock Vgt 97
42	17490508	Screw Thdrol 5/16-18 x 1/2 Tyt
44	160135X428	Extension Steering
45	19182411	Washer 9/16 x 1-1/2 x 11Ga.
46	19131610	Washer 13/32 x 1 x 10 Ga.
47	179471	Bracket Asm. Idler Stationary
48	17000612	Screw 3/8-16 x .75
49	175820	Pulley Idler Flat
50	73900600	Nut Lock Flg. 3/8-16 unc
51	73940800	Nut Hex Jam Toplock 1/2-20 unf
53	188967	Washer Harden .793 x 1.637 x .060

NOTE: All component dimensions given in U.S. inches.
1 inch = 25.4 mm.

ENGINE



engine_ELS_1-vgt

KEY PART NO.	NO.	DESCRIPTION
1	-----	Engine Briggs, Model No. 446777 (Order parts from engine manuf.)
2	149723	Muffler Side
8	121361X	Pulley V-Idler
9	177748	Keeper Asm. Belt Engine VGT
10	175287	Bushing
11	179335	Clutch Electric
12	143996	Pulley Engine VGT Elect Clutch
15	179115	Tank Fuel Rear 5.0
18	179124X428	Cap Asm. Fuel
20	175437X428	Control Throttle
21	171875	Screw HwHd Hi-Lo #13-16 x 3/4
22	187767X428	Control Choke
26	3645J	Bushing
27	139277	Stem Tank Fuel
28	7834R	Fuel Line
29	137180	Spark Arrester Kit
31	145006	Clip
37	123487X	Clamp Hose
39	17490636	Screw TT 3/8-16 x 2-1/4 unc
40	17490664	Screw TT 3/8-16 x 4 unc
41	126197X	Washer 1-1/2 OD x 15/32 ID x .250
42	10040700	Washer Lock 7/16
43	179953	Bolt Hex 7/16-20 x 3.75 Gr. 5

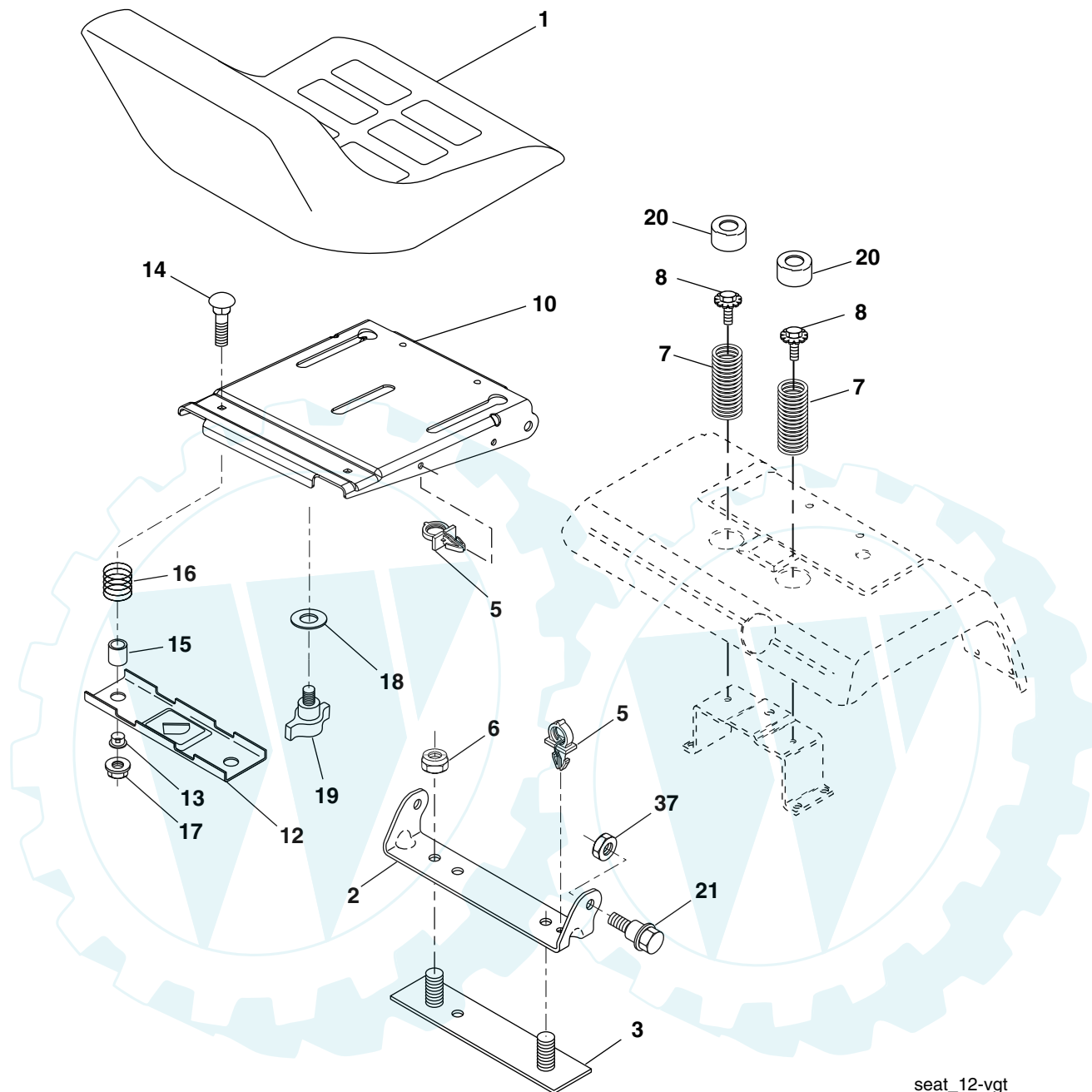
KEY PART NO.	NO.	DESCRIPTION
45	73510400	Nut Keps Hex 1/4-20
47	175288	Spacer
62	146629	Shield Heat Muffler CV-Intek
69	165391	Gasket
70	176069	Tube Exhaust LH
71	176070	Tube Exhaust RH
79	183906	Screw Socket Head 5/16-18 x 1
81	188800	Tube Drain Oil Easy
82	188799	Plug Oil Drain
83	171877	Bolt 5/16-18 Unc x 1-3/4 W/Sems
84	17060624	Screw Thdrol 3/8-16 x 1-1/2

NOTE: All component dimensions given in U.S. inches
1 inch = 25.4 mm

For engine service and replacement parts, call the toll free number for your engine manufacturer listed below:

Briggs & Stratton	1-800-233-3723
Kohler Co.	1-800-544-2444
Tecumseh Products	1-800-558-5402
Honda Engines	1-800-426-7701
Kawasaki	1-949-460-5688

SEAT



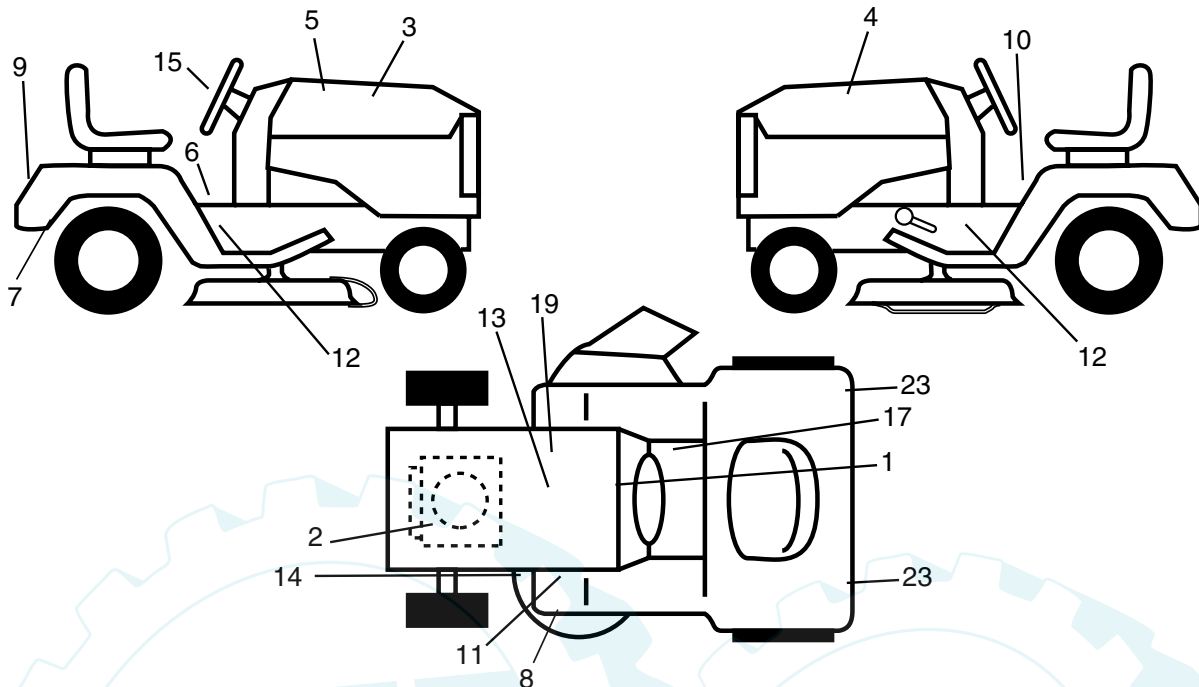
seat_12-vgt

KEY PART NO.	PART NO.	DESCRIPTION
1	188706	Seat
2	180166	Bracket, Pivot Seat
3	140675	Strap Asm.
5	145006	Clip, Push-In Hinged
6	73800600	Nut, Crownlock 3/8-16
7	124181X	Spring, Seat Cprsn.
8	171877	Bolt 5/16-18 unc x 3/4 w/Sems
10	180186	Pan, Seat
12	121246X	Bracket, Mounting Switch
13	121248X	Bushing, Snap
14	72050412	Bolt, Carriage 1/4-20 x 1-1/2

KEY PART NO.	PART NO.	DESCRIPTION
15	121249X	Spacer, Split
16	123740X	Spring, Cprsn.
17	123976X	Nut, Lock 1/4 Lg. Flg. Gr. 5
18	19171912	Washer 17/32 x 1-3/16 x 12 Ga.
19	166369	Knob, Seat
20	124238X	Cap, Spring Seat Blk
21	171852	Bolt 5/16-18 unc-2A
37	73800500	Nut, Crownlock 5/16-18

NOTE: All component dimensions given in U.S. inches
 1 inch = 25.4 mm

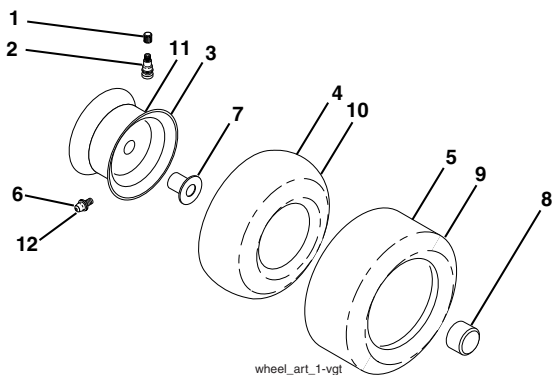
DECALS



KEY PART NO.	NO.	DESCRIPTION
1	185918	Decal, Dash
2	180439	Decal, Engine
3	190425	Decal, Hood, RH
4	190426	Decal, Hood, LH
5	190597	Decal, RRL
6	140837	Decal, Brake Parking
7	166960	Decal, Bypass
8	178455	Decal, Deck Caution
9	190249	Decal
10	157141	Decal, Danger
11	181252	Decal, Footrest

KEY PART NO.	NO.	DESCRIPTION
12	190538	Decal, Chassis
13	145005	Decal, Battery
14	188298	Decal, V-Belt Schematic
15	190430	Decal, Ins. Whl. Strg.
17	140837	Decal, Saddle Brake Parking
19	145005	Decal, Battery
23	106202X	Reflector, Taillight
--	179769X428	Pad, Footrest RH
--	179768X428	Pad, Footrest LH
--	190585	Manual, Owner's (English)
--	190586	Manual, Owner's (Spanish)

WHEELS & TIRES

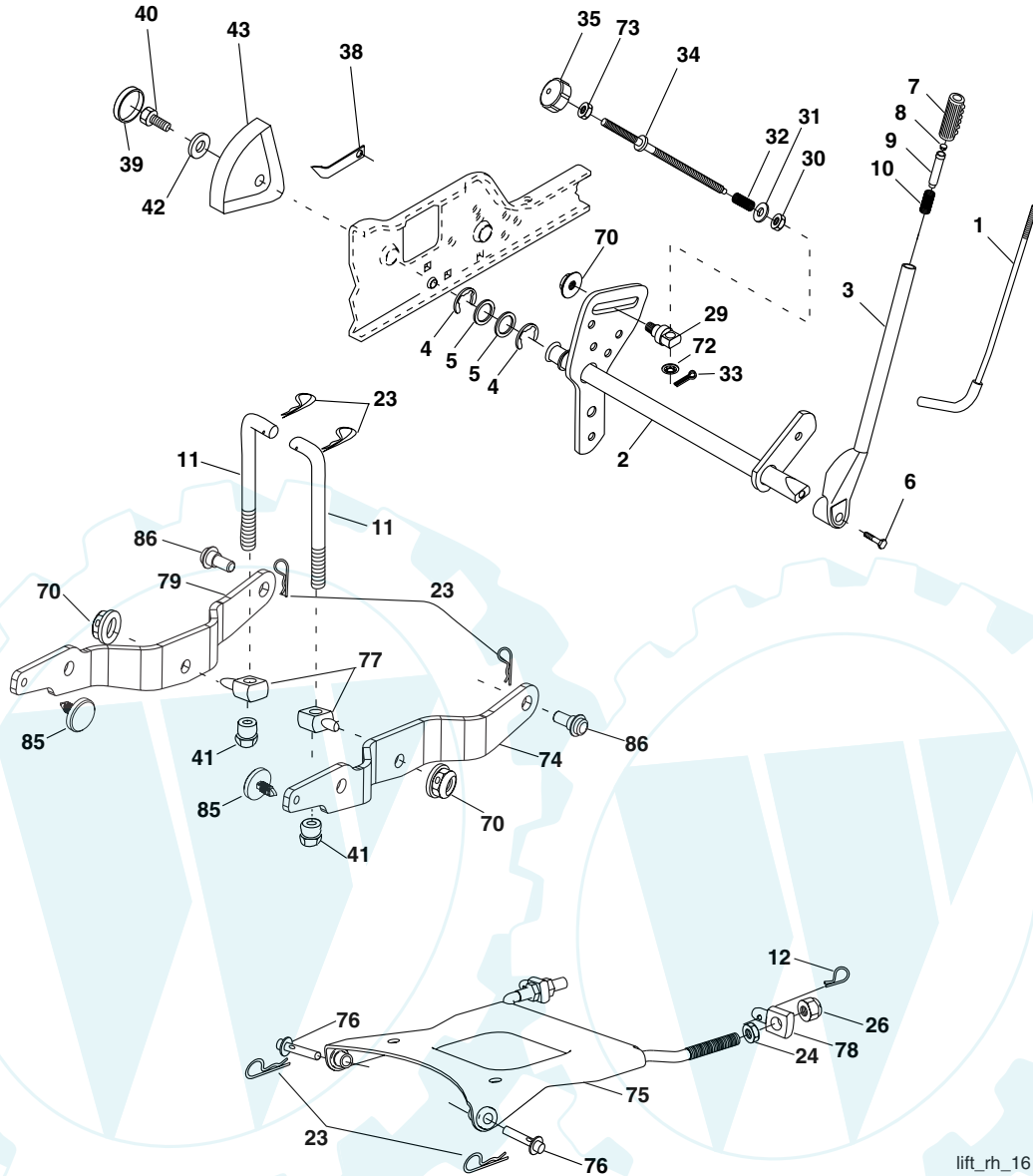


KEY PART NO.	NO.	DESCRIPTION
1	59192	Cap, Valve, Tire
2	65139	Stem, Valve
3	106228X624	Rim Assembly, Front
4	8134H	Tube, Front (Service Item Only)
5	106230X	Tire, Front
6	278H	Fitting, Grease (Front Wheel Only)
7	9040H	Bearing, Flange (Front Wheel Only)
8	104757X428	Cap, Axle (Front Wheel Only)
9	105588X	Tire, Rear
10	7154J	Tube, Rear (Service Item Only)
11	106277X624	Rim Assembly, Rear
12	6856M	Fitting, Grease
--	144334	Sealant, Tire (10 oz. Tube)

NOTE: All component dimensions given in U.S. inches
1 inch = 25.4 mm

TRACTOR - MODEL NUMBER SPGT25H54A

MOWER LIFT



lift_rh_16

KEY PART NO. NO.

DESCRIPTION

1	121006X	Rod Asm., Lever
2	180045	Shaft Asm., Lift Vgt
3	159189	Lever Asm., Lift Rh
4	12000022	E-Ring Truarc #5133-87
5	19292016	Washer 29/32 x 1-1/4 x 16 Ga.
6	71110624	Bolt, Fin Hex 3/8-16 x 1-1/2
7	125631X	Grip, Handle
8	124526X	Button, Plunger
9	122364X	Plunger, Lever Lift
10	183894	Spring 0.62 OD x 2.125
11	175375	Link Lift
12	163552	Retainer, Spring
23	4939M	Retainer, Spring
24	73350800	Nut, Jam Hex 1/2-13 unc
26	73680800	Nut, Crownlock 1/2-13 unc
29	150233	Trunnion Inf. Height
30	110807X	Nut, Special
31	19131016	Washer 13/32 x 5/8 x 16 Ga.
32	137150	Spring, Compression Inf Hgt
33	76020308	Pin, Cotter 3/32 x 1/2
34	137167	Rod, Adj Lift

KEY PART NO. NO.

DESCRIPTION

35	138057	Knob, Inf 3/8-16 unc
38	155097	Pointer, Height Indicator
39	123935X	Plug, Hole
40	17060516	Screw 5/16-18 x 3/4
41	175994	Nut, Lift Link 7/16-20
42	19112410	Washer 11/32 x 1-1/2 x 10 Ga.
43	123934X	Scale, Indicator Height
70	145212	Nut, Hexflange Lock
72	110452X	Nut, Push Phos & Oil
73	73350600	Nut Hex Jam 3/8-16 unc
74	187277	Arm Susp. Rear RH
75	175805	Plate Asm Susp. Front
76	175560	Pin Flange
77	176205	Trunnion Susp. Arm
78	175689	Trunnion Susp. Front
79	187276	Arm Susp. Rear LH
85	189013	Insert Wear
86	188528	Bolt Shoulder

NOTE: All component dimensions given in U.S. inches
1 inch = 25.4 mm

MOWER DECK

KEY NO.	PART NO.	DESCRIPTION	KEY NO.	PART NO.	DESCRIPTION
1	187295	Deck Weldment Mower	56	155986	Bar Pnt Adj.
5	4939M	Retainer Spring	57	156941	Pin Head Rivet
6	187297	Cover Mandrel LH	58	187342	Baffle Right
7	188187	Cover Mandrel RH	59	187344	Baffle Left
8	174365	Bolt 7/16 Asm. Blade	60	187607	Baffle Center
11	187254	Blade, Standard (For mulching mowers only)	90	74760516	Bolt 5/16-18 x 1
13	187291	Shaft Asm. w/Lower Bearing	91	180535	Bracket Asm N Roller RH
14	187281	Housing, Mandrel	94	176066	Roller Nose 48"
15	110485X	Bearing, Ball, Mandrel	95	180534	Bracket Asm N Roller LH
17	72140505	Bolt, Carriage 5/16-18 x 5/8	97	19133210	Washer Hardened
21	73680500	Nut, Crownlock 5/16-18 unc	98	187282	Spring Clutch Drive
25	178102	Spring, Torsion	113	72110508	Bolt Rdhd Sqnk 5/16-18 x 3/4
26	110452X	Nut, Push	114	187556	Rod Tension Relief
27	187257X428	Deflector Shield	116	184219	Bolt, Shoulder
29	131491	Rod, Hinge	117	174873	Gauge Wheel
30	173984	Screw, Thdroll Washer Head	118	73930600	Nut, Centerlock 3/8-16 unc
31	187690	Washer, Spacer Mower Vented	119	19121414	Washer 3/8 x 7/8 x 14 Ga.
32	177865	Pulley, Mandrel	122	187557	Bushing Tension Relief
33	178342	Nut, Flg. Top Lock Cntr. 9/16	180	73800500	Nut 5/16-18
34	73680600	Nut	182	179127	Rod Roller Nose Narrow
35	188635	Pin Suspension Rear	183	163552	Retainer Spring
38	188657	Spring Compression	--	187292	Mandrel Asm. Service (Includes Key Nos. 13-15 and 33)
39	187284	Pulley, Idler, Stationary	--	188271	Replacement Mower, Complete (Std. Deck-Order separately nose roller components key nos. 90, 91, 94, 95, 180, 182, 183)
42	165723	Spacer, Retainer			
43	187278	Arm, Idler			
46	137729	Screw, Thdroll. 1/4-20 x 5/8			
47	191273	V-Belt, Mower, Secondary			
49	73900600	Nut, Lock Flg. 3/8-16 unc			
50	72110616	Bolt, Carr. 3/8-16 x 2			
51	72110610	Bolt			
52	188460	Pulley Idler Clutching			

NOTE: All component dimensions given in U.S. inches
1 inch = 25.4 mm