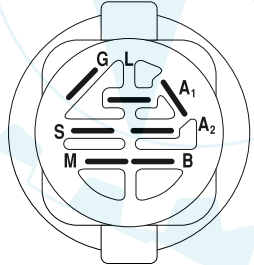
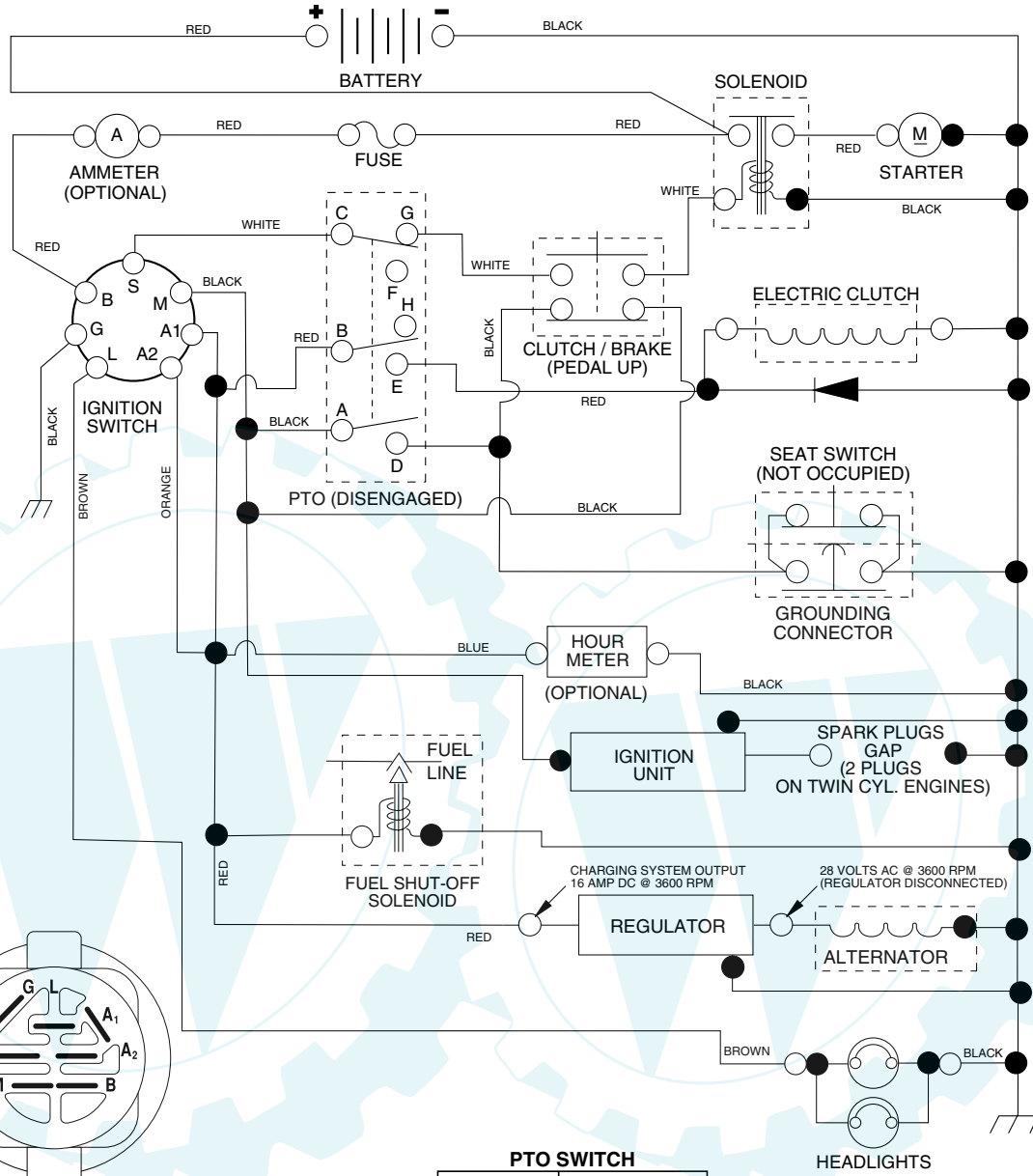


TRACTOR - MODEL NUMBER SP25PH48STB

SCHEMATIC



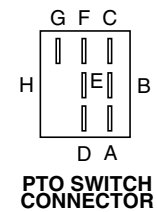
IGNITION SWITCH

| POSITION | CIRCUIT | "MAKE" |
|-------------|------------|--------|
| OFF | M + G + A1 | NONE |
| ON + LIGHTS | B + A1 | L + A2 |
| ON | B + A1 | NONE |
| START | B + S + A1 | NONE |

WIRING INSULATED CLIPS
NOTE: IF WIRING INSULATED CLIPS WERE REMOVED FOR SERVICING OF UNIT, THEY SHOULD BE REPLACED TO PROPERLY SECURE YOUR WIRING.

PTO SWITCH

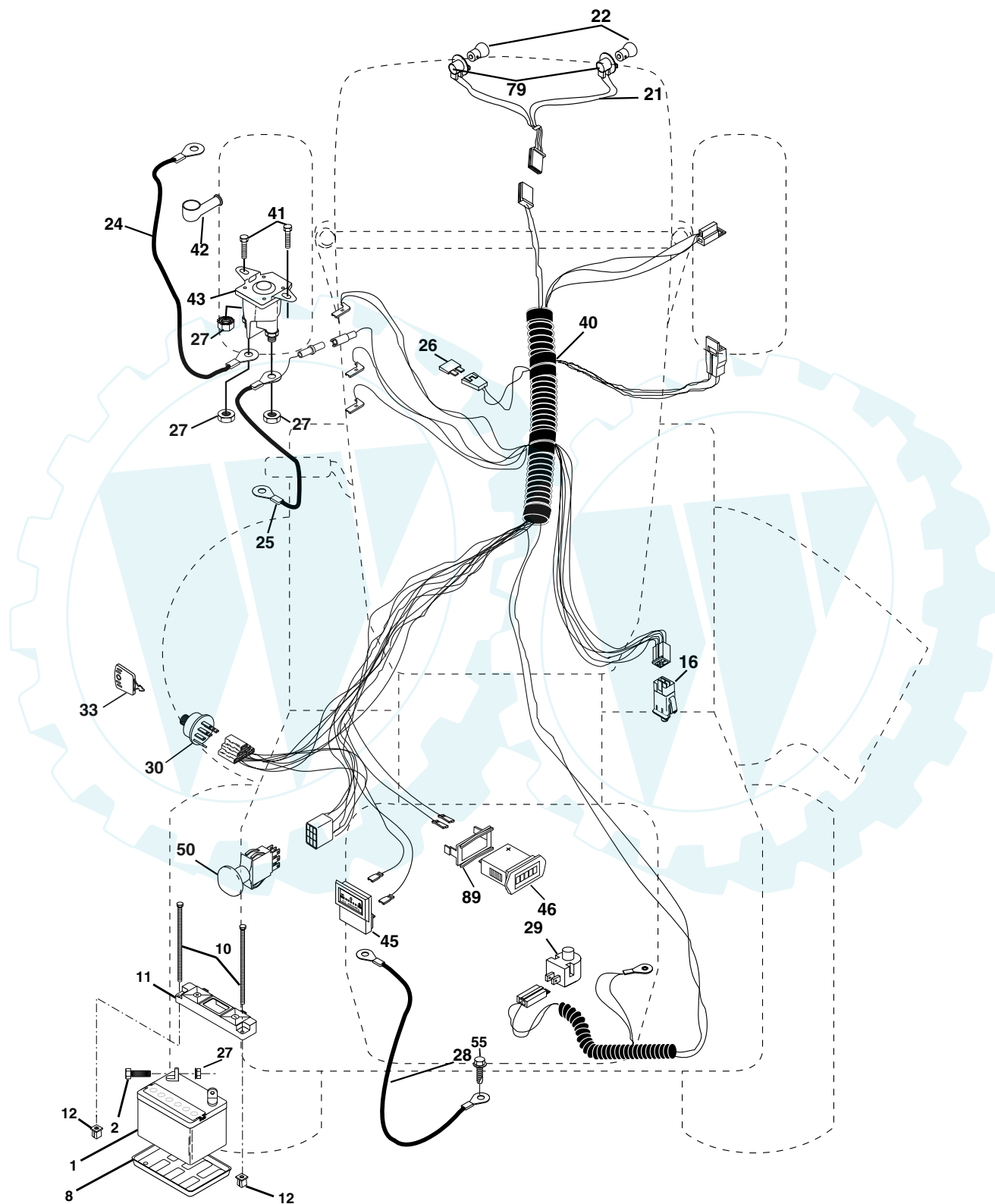
| POSITION | CIRCUIT |
|----------|---------------------|
| OFF | C + G, B + H |
| ON | C + F, B + E, A + D |



REPAIR PARTS

TRACTOR - MODEL NUMBER SP25PH48STB

ELECTRICAL

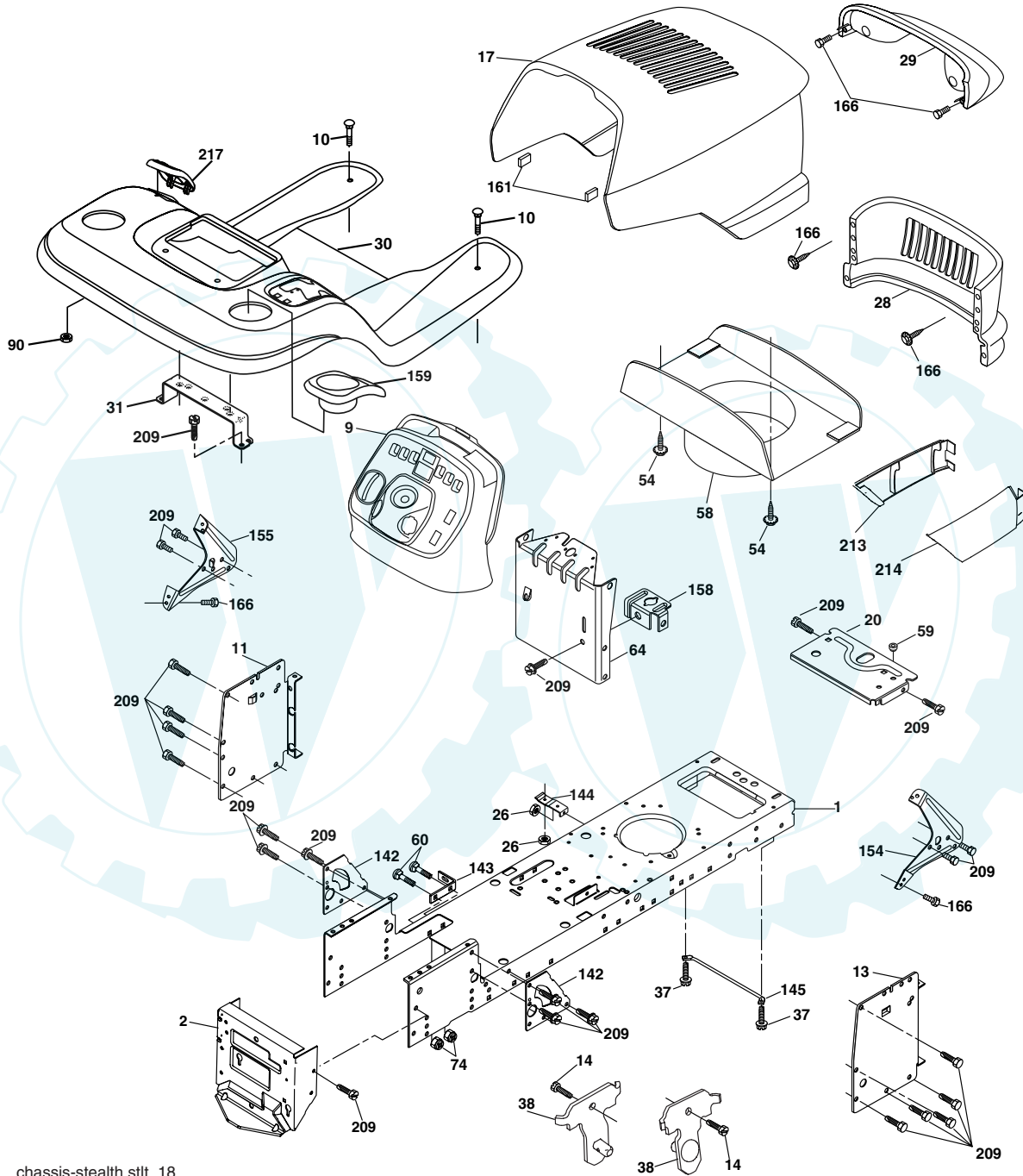


ELECTRICAL

| KEY NO. | PART NO. | DESCRIPTION |
|---------|----------|-------------------------------|
| 1 | 144927 | Battery |
| 2 | 74760412 | Bolt Hex Hd 1/4-20 unc x 3/4 |
| 8 | 7603J | Tray, Battery |
| 10 | 145211 | Bolt, BTR FRT 1/4-20 x 7.5 |
| 11 | 150109 | Hold Down Battery, Front |
| 12 | 145769 | Nut, Push, Nylon |
| 16 | 176138 | Switch Interlock Push-In |
| 21 | 175688 | Harness Asm Light W/Bulbs |
| 22 | 4152J | Bulb Light |
| 24 | 8860R | Cable Battery |
| 25 | 146148 | Cable Batterywire |
| 26 | 175158 | Fuse |
| 27 | 73510400 | Nut Keps Hex 1/4-20 unc |
| 28 | 145491 | Cable Ground |
| 29 | 121305X | Switch Plunger Normal NC Gray |
| 30 | 175566 | Switch Ign 4 pos w/lights |
| 33 | 140401 | Key Ign |
| 40 | 188031 | Harness Ign. |
| 41 | 17720408 | Bolt Blk Fin Hex 1/4-20 x 1/2 |
| 42 | 131563 | Cover Terminal Red |
| 43 | 178861 | Solenoid |
| 45 | 122822X | Ammeter Rectangular |
| 46 | 169635 | Hourmeter Snap-In |
| 50 | 174652 | Switch, PTO |
| 55 | 17490508 | Screw Thdrol 5/16-18 x 1/2 |
| 79 | 175242 | Bulbholder |
| 89 | 169639 | Bracket Snap-In Hourmeter |

NOTE: All component dimensions given in U.S. inches.
1 inch = 25.4 mm.

TRACTOR - MODEL NUMBER SP25PH48STB CHASSIS AND ENCLOSURES



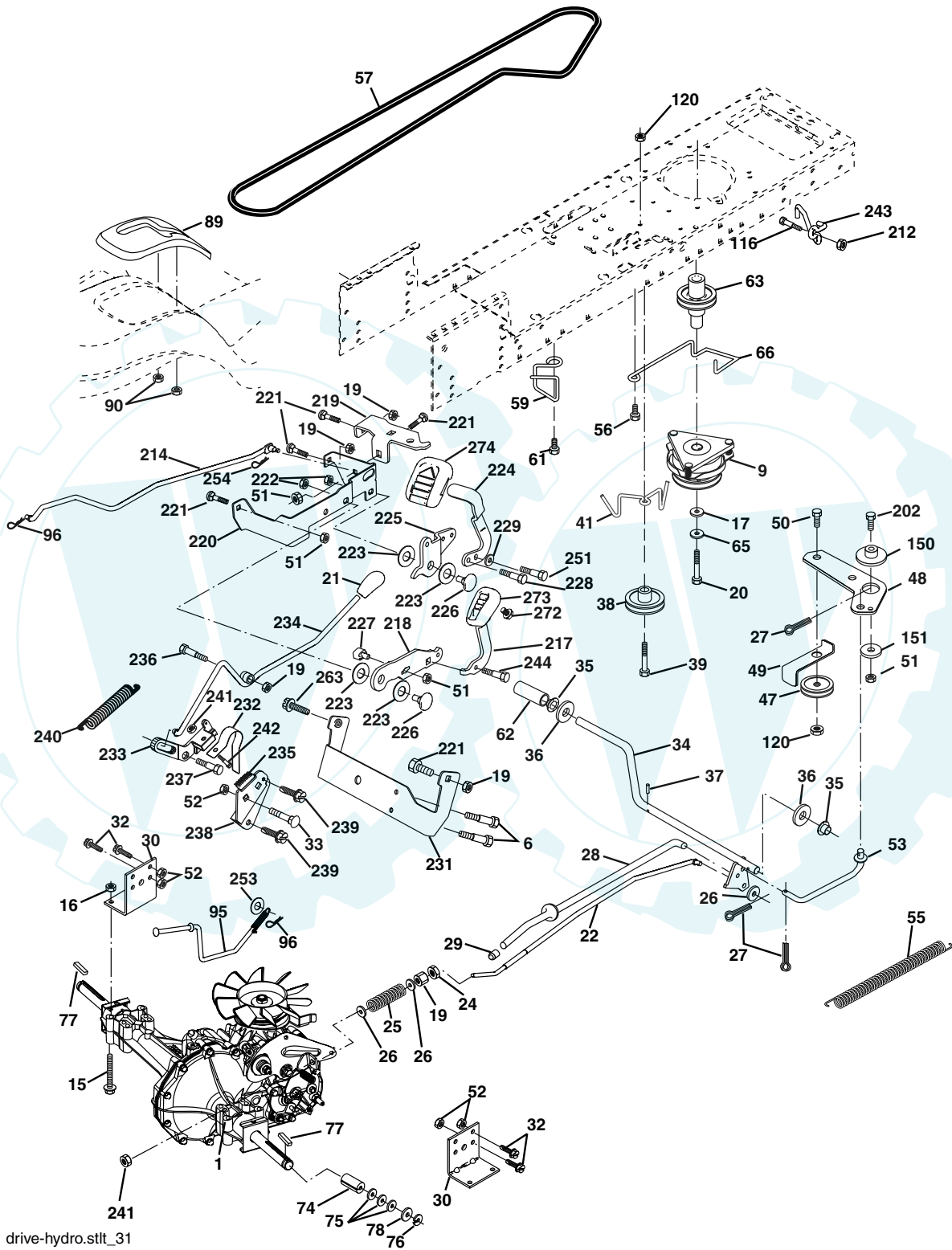
chassis-stealth.stlt_18

**TRACTOR - MODEL NUMBER SP25PH48STB
CHASSIS AND ENCLOSURES**

| KEY NO. | PART NO. | DESCRIPTION |
|--------------------|---------------------|----------------------------------|
| 1 | 174619 | Chassis |
| 2 | 176554 | Drawbar |
| 3 | 17060612 | Screw 3/8-16 x 3/4 |
| 9 | 187934X428 | Dash |
| 10 | 72140608 | Bolt 3/8-16 x 1 |
| 11 | 167203 | Panel Dash Lh |
| 13 | 178298 | Panel Dash Rh |
| 14 | 17490608 | Screw Thdrol 3/8-16 x 1/2 |
| 17 | 175260X505 | Hood |
| 20 | 162026 | Plate Battery |
| 26 | 73800600 | Nut Lock Hex W/Ins 3/8-16 unc |
| 28 | 175289X505 | Grille |
| 29 | 179761 | Light Asm. Bar |
| 30 | 179131X505 | Fender |
| 31 | 139976 | Bracket Fender |
| 37 | 17490508 | Screw Thdrol 6/16-18 x 1/2 TYT |
| 38 | 175710 | Bracket, Asm. Pivot Mower Rear |
| 54 | 161464 | Screw Hex Wshd 8-18 x 7/8 |
| 58 | 175351 | Duct Hood |
| 59 | 187495 | Bushing Snap |
| 60 | 72140606 | Bolt RdHd Sqnk 3/8-16 unc x 3/4 |
| 64 | 174997 | Dash Lower |
| 74 | 73680600 | Nut Crownlock 3/8-16 unc |
| 90 | 124346X | Nut Self-Thd Wsh-Hd 1/4 Zinc |
| 142 | 175702 | Plate Reinforcement STLT |
| 143 | 186689 | Bracket Swaybar Chassis |
| 144 | 175582 | Bracket Footrest |
| 145 | 156524 | Rod Pivot Chassis/Hood |
| 154 | 161897 | Bracket Dash Rh |
| 155 | 161900 | Bracket Dash Lh |
| 158 | 162037 | Bracket Parking Brake |
| 159 | 179950X428 | Cupholder |
| 161 | 164655 | Extrusion Bumper |
| 166 | 171875 | Screw HwHd Hi-Lo #13-16 x 3/4 |
| 209 | 17000612 | Screw Hexwsh Thdrol 3/8-16 x 3/4 |
| 213 | 169848X428 | Skirt Grille LH |
| 214 | 169847X428 | Skirt Grille RH |
| 217 | 179132X428 | Console Fuel Window |

NOTE: All component dimensions given in U.S. inches.
1 inch = 25.4 mm.

DRIVE



drive-hydro.stlft_31

TRACTOR - MODEL NUMBER SP25PH48STB

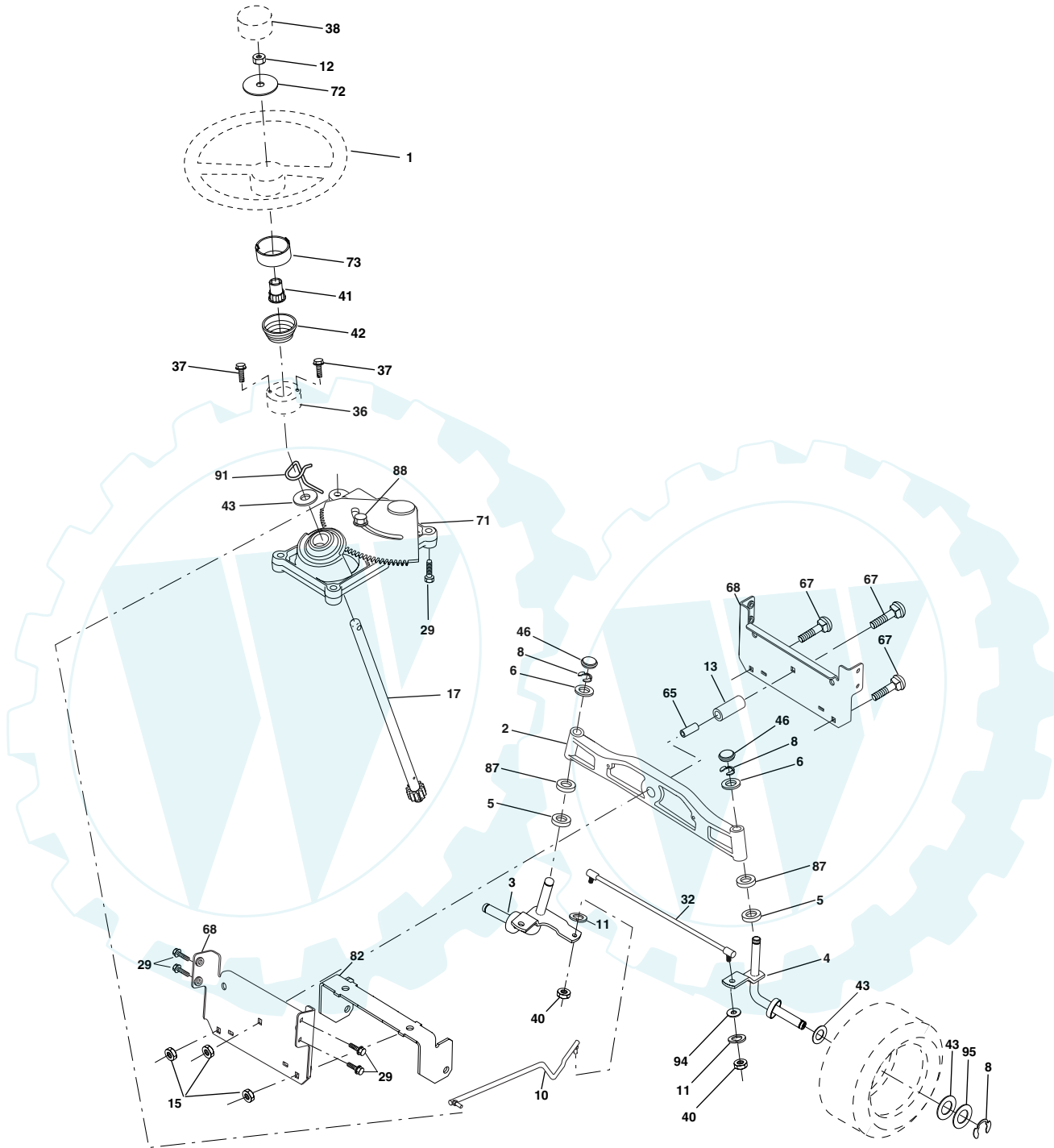
DRIVE

| KEY NO. | PART NO. | DESCRIPTION | KEY NO. | PART NO. | DESCRIPTION |
|---------|------------|--|---------|------------|-----------------------------------|
| 1 | ----- | Transaxle (Order parts from trans-axle manufacturer) | 78 | 121748X | Washer 25/32 x 1-5/8 x 16 Ga. |
| | | Hydro Gear Model 336-0510 | 89 | 174901X428 | Console, Shift |
| 6 | 17060512 | Screw 5/16-18 x 3/4 | 90 | 124346X | Nut Self-Thd Wsh-hd 1/4 Zinc |
| 9 | 179334 | Clutch Elec | 95 | 180825 | Rod Bypass |
| 15 | 74490544 | Bolt Hex Flghd 5/16-18 Gr. 5 | 96 | 4497H | Retainer Spring 1" Zinc/Cad |
| 16 | 73800500 | Nut Lock Hex W/Ins. 5/16-18 unc | 116 | 72140608 | Bolt RDHD SQNK 3/8-16 unc x 1 |
| 17 | 126197X | Washer 1-1/2 OD x 15/32 ID x .250 | 120 | 73900600 | Nut Lock Flg 3/8-16 unc |
| 19 | 73800600 | Nut Lock Hex W/Wsh 3/8-16 unc | 150 | 175456 | Spacer Retainer |
| 20 | 173937 | Bolt Hex 7/16-20 x 4 x Gr. 5-1.5 | 151 | 19133210 | Washer 13/32 x 2 x 10 Ga. |
| 21 | 175036X505 | Knob Custom Control Cruise | 202 | 72110614 | Bolt Carr Sh 3/8-16 x 1-3/4 Gr. 5 |
| 22 | 175896 | Rod, Brake | 212 | 145212 | Nut HexFlange Lock |
| 24 | 73350600 | Nut, Hex Jam 3/8-16 unc | 214 | 174735 | Link Transaxle |
| 25 | 106888X | Spring, Brake Rod | 217 | 179433 | Pedal Assy, Reverse, with Pad |
| 26 | 19131316 | Washer | 218 | 174713 | Arm Control Pedal Reverse |
| 27 | 76020412 | Pin Cotter 1/8 x 3/4 CAD. | 219 | 174839 | Bracket Frest Pdl Ctrl. Hyd |
| 28 | 175765 | Rod, Parking Brake | 220 | 174711 | Bracket Mtg. Pedal Control |
| 29 | 71673 | Cap, Brake, Park | 221 | 72140606 | Bolt Rdhd Sqnk 3/8-16 unc x 3/4 |
| 30 | 169592 | Bracket, Transaxle | 222 | 73680700 | Nut Crownlock 7/16-14 unc |
| 32 | 74760512 | Bolt Hex Hd 5/16-18 unc x 3/4 | 223 | 174840 | Washer Nylon 11/16 ID x .060 |
| 33 | 72140506 | Bolt Rdhd Sqnk 5/16-18 unc x 3/4 | 224 | 174736 | Pedal Forward |
| 34 | 175578 | Shaft, Foot Pedal | 225 | 174712 | Arm Control Pedal Forward |
| 35 | 120183X | Bearing, Nylon | 226 | 174902 | Bolt Pivot Spacer |
| 36 | 19211616 | Washer | 227 | 174710 | Cam Reverse Pedal LT |
| 37 | 1572H | Pin, Roll | 228 | 179032 | Bolt Shoulder 5/16-18 |
| 38 | 179114 | Pulley, Composite, Flat | 229 | 176451 | Washer Serrated 5/16 x .75 |
| 39 | 72110622 | Bolt Rdhd 3/8-16 x 2- 3/4 Gr. 5 | 231 | 174573 | Strap Torque |
| 41 | 175556 | Keeper, Belt Idler Flat | 232 | 175570 | Actuator Cruise Disengage |
| 47 | 127783 | Pulley, Idler, V-Groove | 233 | 174856 | Pawl Control Cruise |
| 48 | 154407 | Bellcrank Clutch Grnd Drw Stl | 234 | 174858 | Lever Control Cruise |
| 49 | 123205X | Retainer, Belt | 235 | 174857 | Sector Control Cruise |
| 50 | 72110612 | Bolt | 236 | 128903 | Bolt Shoulder 3/8-16 unc 1/44 |
| 51 | 73680600 | Nut Crownlock 3/8-16 unc | 237 | 170165 | Bolt Shoulder 5/16-18 |
| 52 | 73680500 | Nut, Crownlock 5/16-18 unc | 238 | 175807 | Arm Mtg. Cruise Sector |
| 53 | 105710X | Link, Clutch | 239 | 17490508 | Screw Thdrol 5/16 x 1/2 |
| 55 | 105709X | Spring, Return, Clutch | 240 | 175610 | Spring Return Cruise Control |
| 56 | 17060620 | Screw 3/8-16 x 1-1/4 | 241 | 73930400 | Nut Centerlock 1/4-20 unc |
| 57 | 140294 | V-Belt, Ground Drive | 242 | 74780412 | Bolt Fin Hex 1/4-20 unc x .75 |
| 59 | 169691 | Keeper, Center Span | 243 | 178289 | Bracket Anti-Rotation CVX |
| 61 | 17120614 | Screw 3/8-16 x .875 | 244 | 17490510 | Screw 5/16-18 x 5/8 |
| 62 | 8883R | Cover, Pedal | 251 | 17060516 | Screw 5/16-18 x 1 |
| 63 | 174607 | Pulley, Engine | 253 | 179422 | Washer .3125 x .615 x 16 Ga. |
| 65 | 10040700 | Washer | 254 | 178062 | Clip Retainer |
| 66 | 154778 | Keeper Belt Engine | 263 | 17000612 | Screw 3/8-16 x 3/4 |
| 74 | 137057 | Spacer, Axle | 272 | 17670508 | Screw, 5/16-18 x 1/2 TT |
| 75 | 121749X | Washer 25/32 x 1-1/4 x 16 Ga. | 273 | 179610 | Pad, Reverse Pedal |
| 76 | 12000001 | E-Ring | 274 | 175646 | Cover Pedal Forward |
| 77 | 123583X | Key, Square | | | |

NOTE: All component dimensions given in U.S. inches. 1 inch = 25.4 mm.

TRACTOR - MODEL NUMBER SP25PH48STB

STEERING ASSEMBLY



steering_stealth_prem_10

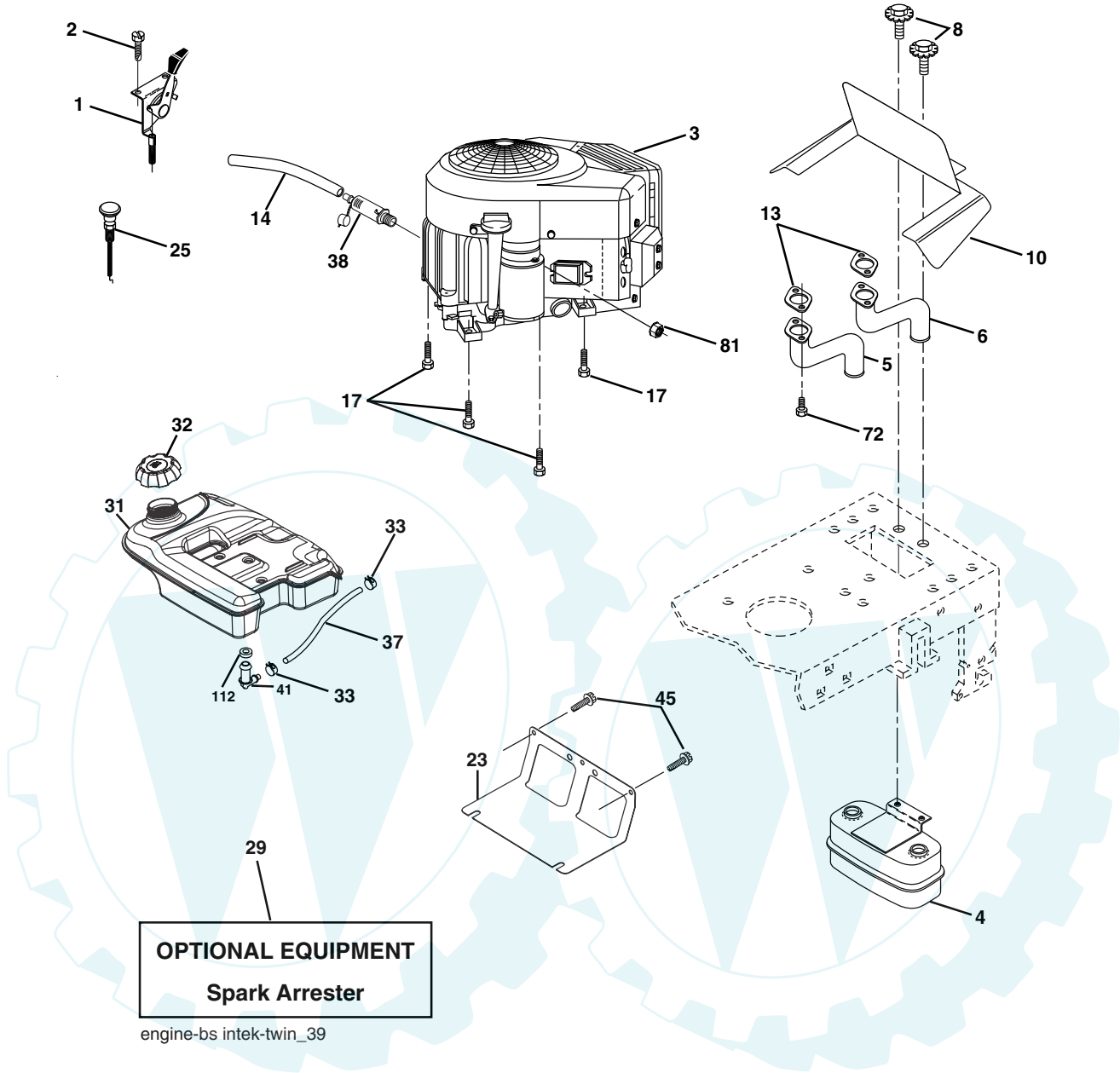
TRACTOR - MODEL NUMBER SP25PH48STB
STEERING ASSEMBLY

| KEY NO. | PART NO. | DESCRIPTION |
|---------|------------|---------------------------------|
| 1 | 184704X428 | Wheel Steering |
| 2 | 184706 | Axle |
| 3 | 169840 | Spindle Asm LH |
| 4 | 169839 | Spindle Asm RH |
| 5 | 6266H | Bearing Race Thrust Harden |
| 6 | 121748X | Washer 25/32 x 1-5/8 x 16 Ga. |
| 8 | 12000029 | Ring Klip #t5304-75 |
| 10 | 175121 | Link Drag |
| 11 | 10040600 | Washer Lock Hvy Hlcl Spr 3/8 |
| 12 | 73940800 | Nut Hex Jam Toplock 1/2-20 unf |
| 13 | 136518 | Spacer Brg Axle Front |
| 15 | 145212 | Nut Hex Flange Lock |
| 17 | 177883 | Shaft Asm Strg |
| 29 | 17000612 | Screw 3/8-16 x 3/4 |
| 32 | 180580 | Rod Tie |
| 36 | 155105 | Bushing Strg |
| 37 | 152927 | Screw TT #32.5 x 5 x 3/8 Flange |
| 38 | 159946X428 | Cap Wheel Steer |
| 40 | 73540600 | Nut Crownlock 3/8-24 |
| 41 | 159945 | Adaptor Wheel Strg |
| 42 | 163888X428 | Boot Steering |
| 43 | 121749X | Washer 25/32 x 1 1/4 x 16 Ga. |
| 46 | 121232X | Cap Spindle Fr Top Blk |
| 65 | 160367 | Spacer Brace Axle |
| 67 | 72110618 | Bolt Rdhd Sqn 3/8-16 x 2-1/4 |
| 68 | 169827 | Brace, Axle |
| 71 | 175146 | Steering Asm. |
| 72 | 19182411 | Washer 9/16 ID x 1/20 OD 11 Ga. |
| 73 | 160135X428 | Extension Steering |
| 82 | 169835 | Bracket Susp Chassis Front |
| 87 | 173966 | Washer Flat .781 x 1-1/2 x .14 |
| 88 | 175118 | Bolt Shoulder 7/16-20 unc |
| 91 | 175553 | Clip |
| 94 | 19121414 | Rod Tie |
| 95 | 188967 | Washer Hardened |

NOTE: All component dimensions given in U.S. inches.
1 inch = 25.4 mm.

TRACTOR - MODEL NUMBER SP25PH48STB

ENGINE

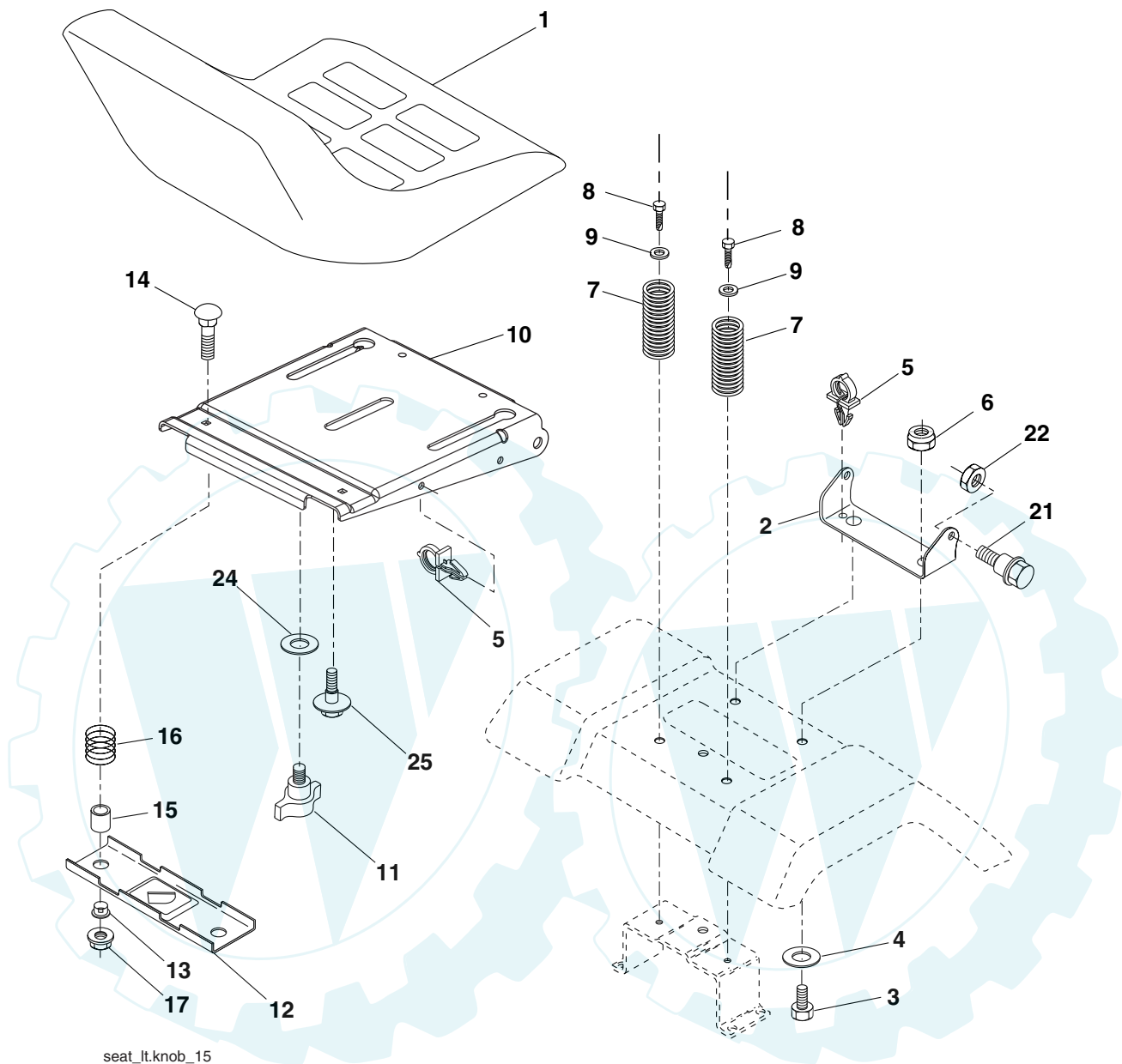


| KEY PART NO. | NO. | DESCRIPTION |
|--------------|-------------------|--|
| 1 | 175437X428 | Control Throttle |
| 2 | 171875 | Screw HwHd Hi-Lo #13-16 x 3/4 |
| 3 | ----- | Engine, Briggs Model 445777 (Order parts from engine mfg.) |
| 4 | 149723 | Muffler Asm Twin Lo-Tone |
| 5 | 159955 | Pipe Exhaust LH Intek |
| 6 | 160589 | Pipe Exhaust RH Intek |
| 8 | 171877 | Bolt 5/16-18 unc x 3/4 w/Sems |
| 10 | 162797 | Shield Browning Intek II |
| 13 | 165391 | Muffler Gasket |
| 14 | 148456 | Tube Drain Oil Easy |
| 17 | 17060624 | Screw Thdrol 3/8-16 x 1-1/2 |
| 23 | 169837 | Shield Heat |
| 25 | 187767X428 | Choke Control |
| 29 | 137180 | Kit Spark Arrestor (Flat Scrn) |
| 31 | 179022 | Tank Fuel 4.0 Rear |
| 32 | 179124X428 | Cap Asm Fuel |
| 33 | 123487X | Clamp Hose Black |

| KEY PART NO. | NO. | DESCRIPTION |
|--------------|----------|--------------------------------|
| 37 | 8543R | Line Fuel |
| 38 | 181654 | Plug Drain Oil |
| 41 | 139277 | Stem Tank Fuel |
| 45 | 17000612 | Screw Hexwsh Thdr 3/8-16 x 3/4 |
| 72 | 183906 | Screw Socket Head 5/16-18 x 1 |
| 81 | 73510400 | Nut Keps Hex 1/4-20 unc |
| 112 | 3645J | Bushing |

NOTE: All component dimensions given in U.S. inches.
1 inch = 25.4 mm.
For engine service and replacement parts, call the toll free number for your engine manufacturer listed below:
Briggs & Stratton 1-800-233-3723
Kohler Co. 1-800-544-2444
Tecumseh Products 1-800-558-5402
Honda Engines 1-800-426-7701
Kawasaki 1-949-460-5688

SEAT



seat_lt.knob_15

**KEY PART
 NO. NO.**

| KEY PART NO. | NO. | DESCRIPTION |
|--------------|----------|--------------------------------|
| 1 | 188705 | Seat |
| 2 | 180166 | Bracket Pivot Seat |
| 3 | 71110616 | Bolt Fin Hex 3/8-16 unc x 1 |
| 4 | 19131610 | Washer Flat 13/32 x 1 x 10 Ga. |
| 5 | 145006 | Clip Push-In |
| 6 | 73800600 | Nut Hex w/Ins. 3/8-16 unc |
| 7 | 124181X | Spring Seat Cprsn 2 250 Blk Zi |
| 8 | 17000616 | Screw 3/8-16 x 1 |
| 9 | 19131614 | Washer 13/32 x 1 x 14 Ga. |
| 10 | 180186 | Pan Seat |
| 11 | 166369 | Knob Seat Adj. Wingnut |
| 12 | 121246X | Bracket Mounting Switch |

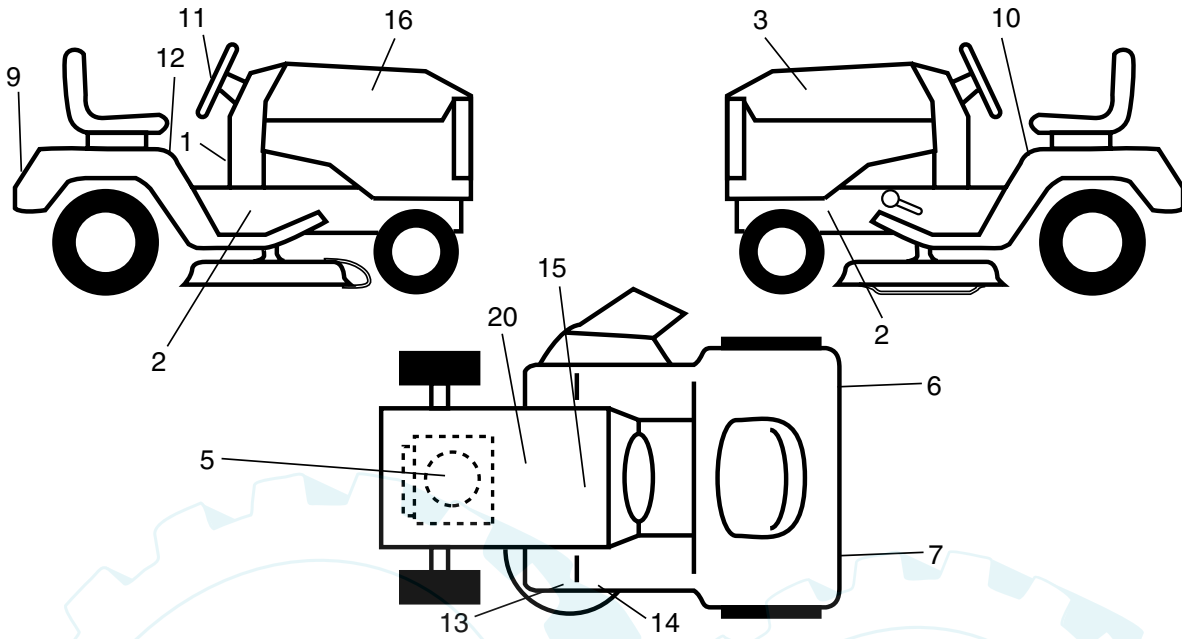
**KEY PART
 NO. NO.**

| KEY PART NO. | NO. | DESCRIPTION |
|--------------|----------|---------------------------------|
| 13 | 121248X | Bushing Snap Blk Nyl 50 Id |
| 14 | 72050412 | Bolt Rdhd Sqnk 1/4-20 x 1-1/2 |
| 15 | 134300 | Spacer Split |
| 16 | 121250 | Spring Cprsn |
| 17 | 123976X | Nut Lock 1/4 Lge Flg Gr. 5 Zinc |
| 21 | 171852 | Bolt Shoulder 5/16-18 unc |
| 22 | 73800500 | Nut Hex Lock W/Ins 5/16-18 |
| 24 | 19171912 | Washer 17/32 x 1-3/16 x 12 Ga. |
| 25 | 127018X | Bolt Shoulder 5/16-18 x 62 |

NOTE: All component dimensions given in U.S. inches. 1 inch = 25.4 mm.

TRACTOR - MODEL NUMBER SP25PH48STB

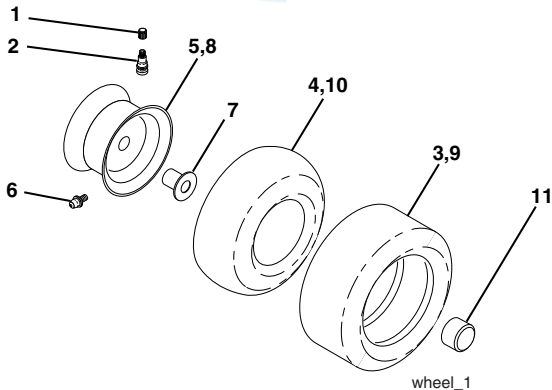
DECALS



| KEY PART NO. | PART NO. | DESCRIPTION |
|--------------|----------|-------------------------------|
| 1 | 185918 | Decal Dash |
| 2 | 190537 | Decal Chassis 25/48 Statesman |
| 3 | 190426 | Decal Hood LH |
| 5 | 189527 | Decal HP Engine |
| 6 | 173587 | Decal Reflector Rh |
| 7 | 173589 | Decal Reflector Lh |
| 9 | 190429 | Decal Fender Logo |
| 10 | 157141 | Decal Fender Danger |
| 11 | 190430 | Decal Ins Strg Whl |
| 12 | 177955 | Decal Fender Oper Cruise |

| KEY PART NO. | PART NO. | DESCRIPTION |
|--------------|------------|--------------------------|
| 13 | 178455 | Decal Deck Caution |
| 14 | 175291 | Decal V-Belt Schematic |
| 15 | 185441 | Decal Replace |
| 16 | 190425 | Decal Hood Rh |
| 20 | 145005 | Decal Bat Dan/Psn |
| -- | 166960 | Decal By Pass |
| -- | 174998X428 | Pad Footrest Lh |
| -- | 175542X428 | Pad Footrest Rh |
| -- | 191194 | Manual Owner's (English) |
| -- | 191195 | Manual Owner's (Spanish) |

WHEELS & TIRES

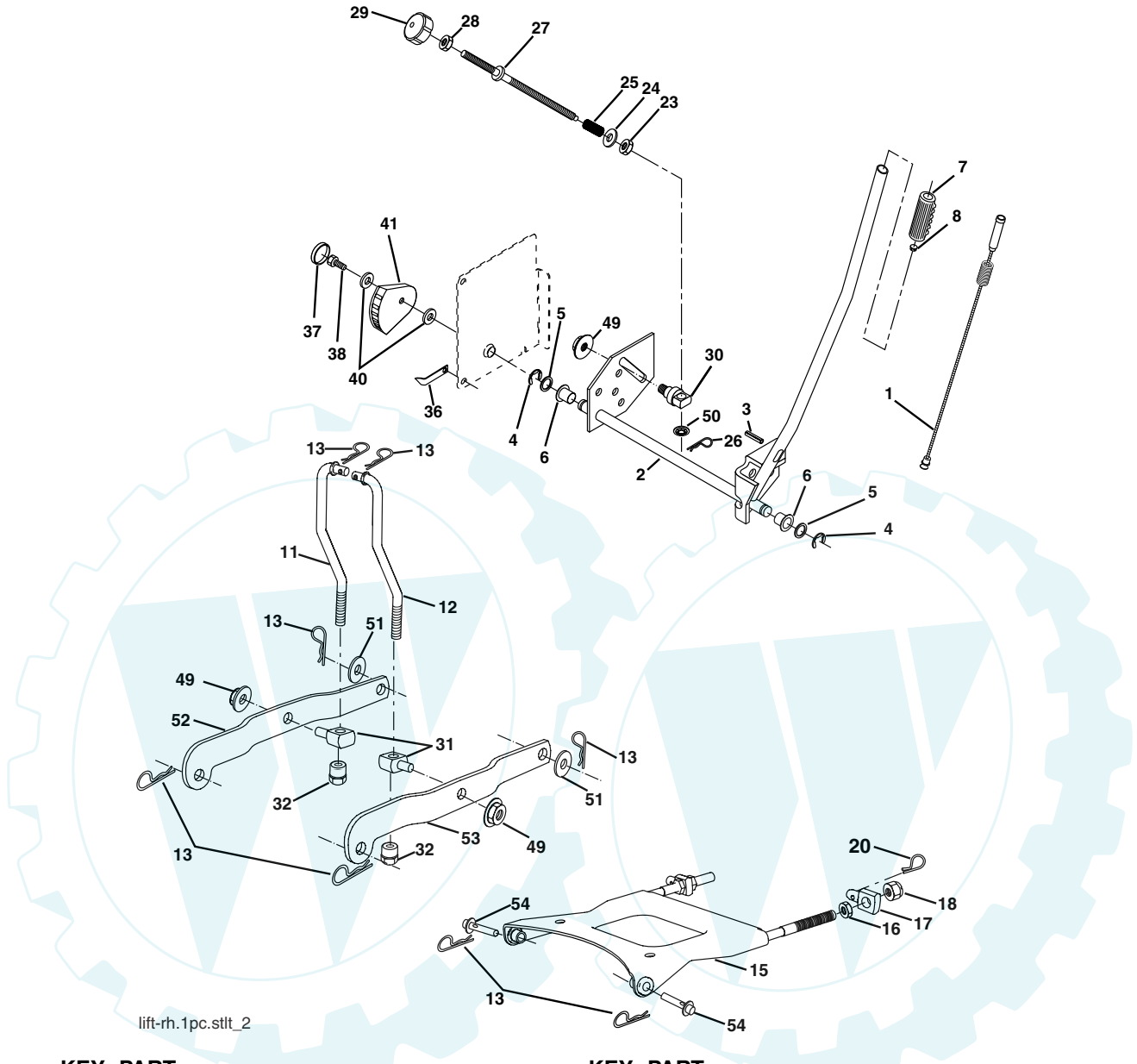


| KEY PART NO. | PART NO. | DESCRIPTION |
|--------------|------------|-----------------------------------|
| 1 | 59192 | Cap Valve Tire |
| 2 | 65139 | Stem Valve |
| 3 | 106222X | Tire F T 15 x 6 0 - 6 Service |
| 4 | 59904 | Tube Front (Service Item Only) |
| 5 | 106732X624 | Rim Asm 6" front Service |
| 6 | 278H | Fitting Grease (Front Wheel Only) |
| 7 | 9040H | Bearing Flange (Front Wheel Only) |
| 8 | 106108X624 | Rim Asm 8" rear Service |
| 9 | 122082X | Tire R T 20 x 10 -8 C Service |
| 10 | 7152J | Tube Rear (Service Item Only) |
| 11 | 104757X428 | Cap Axle 1 50 x 1 00 |
| -- | 144334 | Sealant, Tire (10 oz. Tube) |

NOTE: All component dimensions given in U.S. inches. 1 inch = 25.4 mm.

TRACTOR - MODEL NUMBER SP25PH48STB

MOWER LIFT



lift-rh.1pc.stlt_2

KEY PART NO. NO.

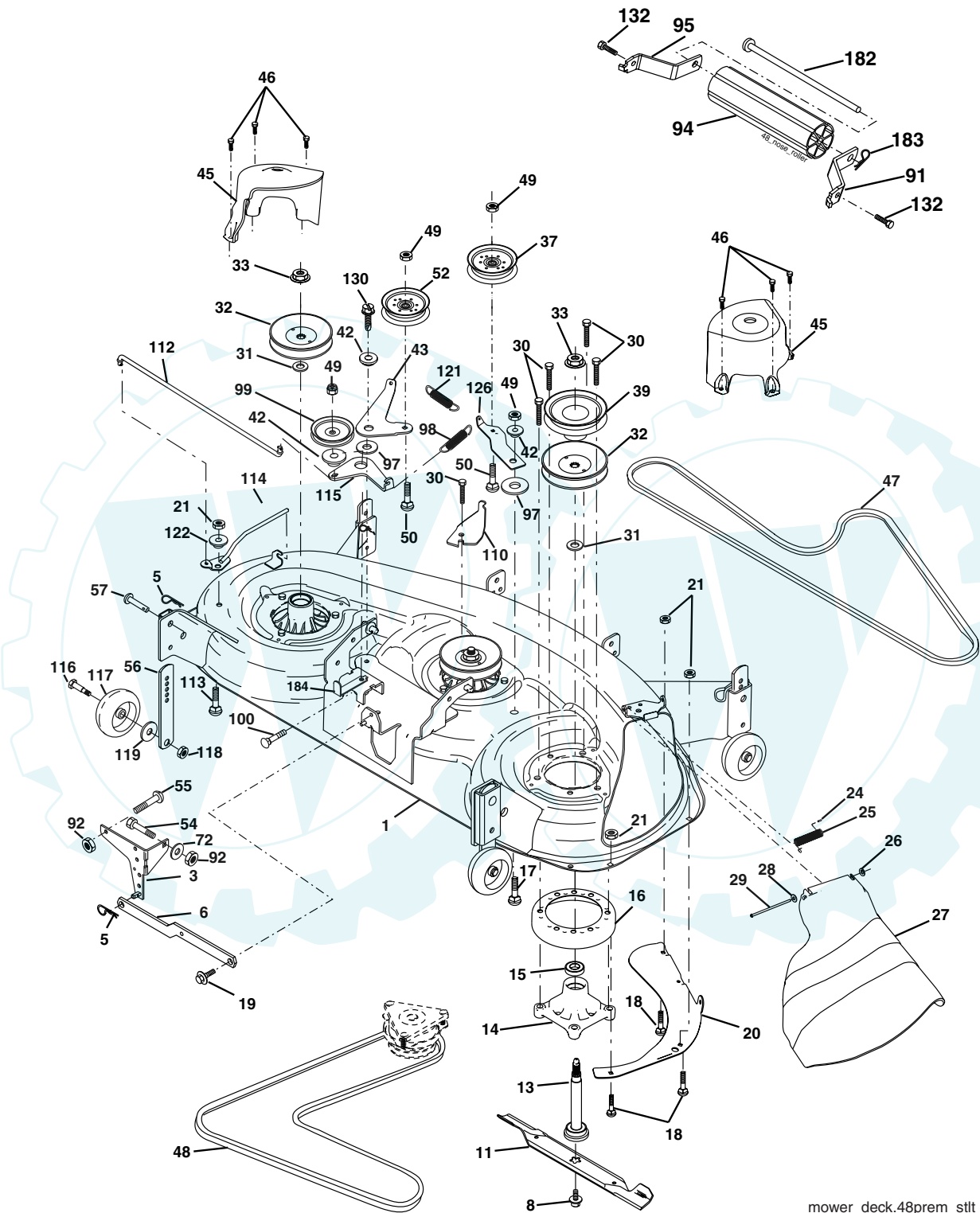
| KEY PART NO. | NO. | DESCRIPTION |
|--------------|----------|-------------------------------|
| 1 | 159461 | Wire Asm Inner/Sprg W/plunger |
| 2 | 159476 | Shaft Asm Lift RH w/Inf |
| 3 | 188822 | Pin Groove |
| 4 | 12000002 | E Ring #5133-62 |
| 5 | 19211621 | Washer 21/32 x 1 x 21 Ga. |
| 6 | 120183X | Bearing Nylon Blk 629 Id |
| 7 | 125631X | Grip Handle |
| 8 | 124526X | Button Plunger |
| 11 | 175370 | Link Lift LH |
| 12 | 175371 | Link Lift RH |
| 13 | 4939M | Retainer Spring |
| 15 | 175562 | Plate Asm. Suspension Front |
| 16 | 73350800 | Nut Jam Hex 1/2-13 unc |
| 17 | 175689 | Trunnion Front Susp. |
| 18 | 73800800 | Nut Lock w/Wsh 1/2-13 unc |
| 20 | 163552 | Retainer Spring |
| 23 | 110807X | Nut Special |
| 24 | 19131016 | Washer 13/32 x 5/8 x 16 Ga. |
| 25 | 164024 | Spring |
| 26 | 169484 | Retainer Clip |

KEY PART NO. NO.

| KEY PART NO. | NO. | DESCRIPTION |
|--------------|----------|--------------------------------|
| 27 | 164543 | Rod Adj Lift |
| 28 | 73350600 | Nut Hex Jam 3/8-16 unc |
| 29 | 138057 | Knob Inf 3/8-16 unc Blk W/sym |
| 30 | 150233 | Trunnion Infin Height |
| 31 | 176205 | Trunnion Susp. Arm |
| 32 | 175994 | Nut Lift Link 7/16-20 |
| 36 | 155097 | Pointer Height Indicator |
| 37 | 123935X | Plug Hole Blk 1.485/1.515 Dia. |
| 38 | 17060516 | Screw 5/16-18 x 1 |
| 40 | 19112410 | Washer 11/32 x 1-1/2 10 Ga. |
| 41 | 155098 | Indicator Height STL |
| 49 | 145212 | Nut Hex Flange Lock |
| 50 | 110452X | Nut PUSh Phos & Oil |
| 51 | 19171416 | Washer 17/32 x 7/8 x 16 Ga. |
| 52 | 175378 | Arm Susp. Rear LH |
| 53 | 175802 | Arm Susp. Rear RH |
| 54 | 175560 | Pin |

NOTE: All component dimensions given in U.S. inches. 1 inch = 25.4 mm.

MOWER DECK



mower_deck.48prem_stlt

TRACTOR - MODEL NUMBER SP25PH48STB

MOWER DECK

| KEY NO. | PART NO. | DESCRIPTION | KEY NO. | PART NO. | DESCRIPTION |
|---------|---------------|--|---------|----------|--|
| 1 | 180358 | Deck Weldment Mower 48 | 52 | 175820 | Pulley Idler Flat |
| 3 | 138017 | Bracket Asm., Sway Bar | 54 | 74780616 | Bolt Fin Hex 3/8-16 x 1 |
| 5 | 4939M | Retainer Spring | 55 | 72140608 | Bolt Carriage Sqnk. 3/8-16 x 1 |
| 6 | 178024 | Arm, Suspension, Rear Sway Bar Deck | 56 | 155986 | Bar Pnt Adj. |
| 8 | 174365 | Bolt 7/16 Asm. Blade (The following blades are available) | 57 | 156941 | Pin Head Rivet |
| 11 | 173921 | Blade, 48" Mulching (For mulching mowers only) | 72 | 19131312 | Washer 13/32 x 13/16 x 12 Ga. |
| -- | 180054 | Blade, 48" Hi-Lift (For bagging and discharging) | 91 | 180535 | Bracket, Asm Noseroller, RH |
| 13 | 174360 | Shaft Asm. w/Lower Bearing | 92 | 73800600 | Nut Lock Hex 3/8-16 |
| 14 | 174358 | Mandrel Asm. Housing | 94 | 176066 | Noseroller |
| 15 | 110485X | Bearing, Ball, Mandrel | 95 | 180534 | Bracket, Asm Noseroller LH |
| 16 | 174493 | Stripper Mandrel Deck | 97 | 178515 | Washer Hardened |
| 17 | 72110610 | Bolt RDHD Sq Neck 3/8-16 x 1.25 | 98 | 179479 | Spring Primary Drive |
| 18 | 72140505 | Bolt, Carriage 5/16-18 x 5/8 | 99 | 184058 | Pulley Idler"V" |
| 19 | 132827 | Bolt, Hex Hd, Shoulder 5/16-18 | 100 | 72110616 | Bolt RDHD Sqnk 3/8-16 unc x 2 |
| 20 | 174378 | Baffle, Vortex Mower | 110 | 175016 | Arm Spring Secondary |
| 21 | 73680500 | Nut, Crownlock 5/16-18 unc | 112 | 174387 | Link Tension Relief Lever |
| 24 | 105304X | Cap, Sleeve | 113 | 72110506 | Bolt 5/16-18 x 3/4 |
| 25 | 178102 | Spring, Torsion | 114 | 174384 | Tension Asm. Relief Lever |
| 26 | 110452X | Nut, Push | 115 | 174609 | Arm Spring Tension Relief |
| 27 | 180655X428 | Deflector Shield | 116 | 184219 | Bolt, Shoulder |
| 28 | 19111016 | Washer 11/32 x 5/8 x 16 Ga. | 117 | 133957 | Gauge Wheel |
| 29 | 131491 | Rod, Hinge | 118 | 73930600 | Nut, Centerlock 3/8-16 unc |
| 30 | 173984 | Screw, Thdroll Washer Head | 119 | 19121414 | Washer 3/8 x 7/8 x 14 Ga. |
| 31 | 187690 | Washer, Spacer | 121 | 174371 | Spring Secondary Drive |
| 32 | 173436 | Pulley, Mandrel | 122 | 174606 | Bushing Pivot Tension Relief |
| 33 | 178342 | Nut, Flg. Top Lock Cntr. 9/16 | 126 | 174372 | Arm, Idler, Primary Deck |
| 36 | 19131316 | Washer 13/32 x 13/16 x 16 Ga. | 130 | 17000616 | Screw 3/8-16 x 1.0 |
| 37 | 177968 | Pulley, Idler, Flat | 132 | 17000612 | Screw 3/8-16 x .75 |
| 39 | 174375 | Pulley, Idler, Driven | 182 | 179127 | Rod Roller Nose |
| 42 | 165723 | Spacer, Retainer | 183 | 163552 | Retainer Spring |
| 43 | 174373 | Arm, Idler Secondary | 184 | 173979 | Keeper Belt Idler |
| 45 | 180806 | Cover, Mandrel Deck | -- | 174356 | Mandrel Asm. Service (Includes Key Nos. 13-15 and 33) |
| 46 | 137729 | Screw, Thdroll. 1/4-20 x 5/8 | -- | 181579 | Relplacement Mower, Complete (Std. Deck - Order separately nose roller components key nos. 91, 94, 95, 132, 182, and 183) |
| 47 | 180808 | V-Belt, Mower, Secondary | | | |
| 48 | 174368 | V-Belt, Mower, Primary | | | |
| 49 | 73900600 | Nut, Lock 3/8-16 unc | | | |
| 50 | 72110612 | Bolt, Carr. 3/8-16 x 1-1/2 Gr. 5 | | | |

NOTE: All component dimensions given in U.S. inches. 1 inch = 25.4 mm.