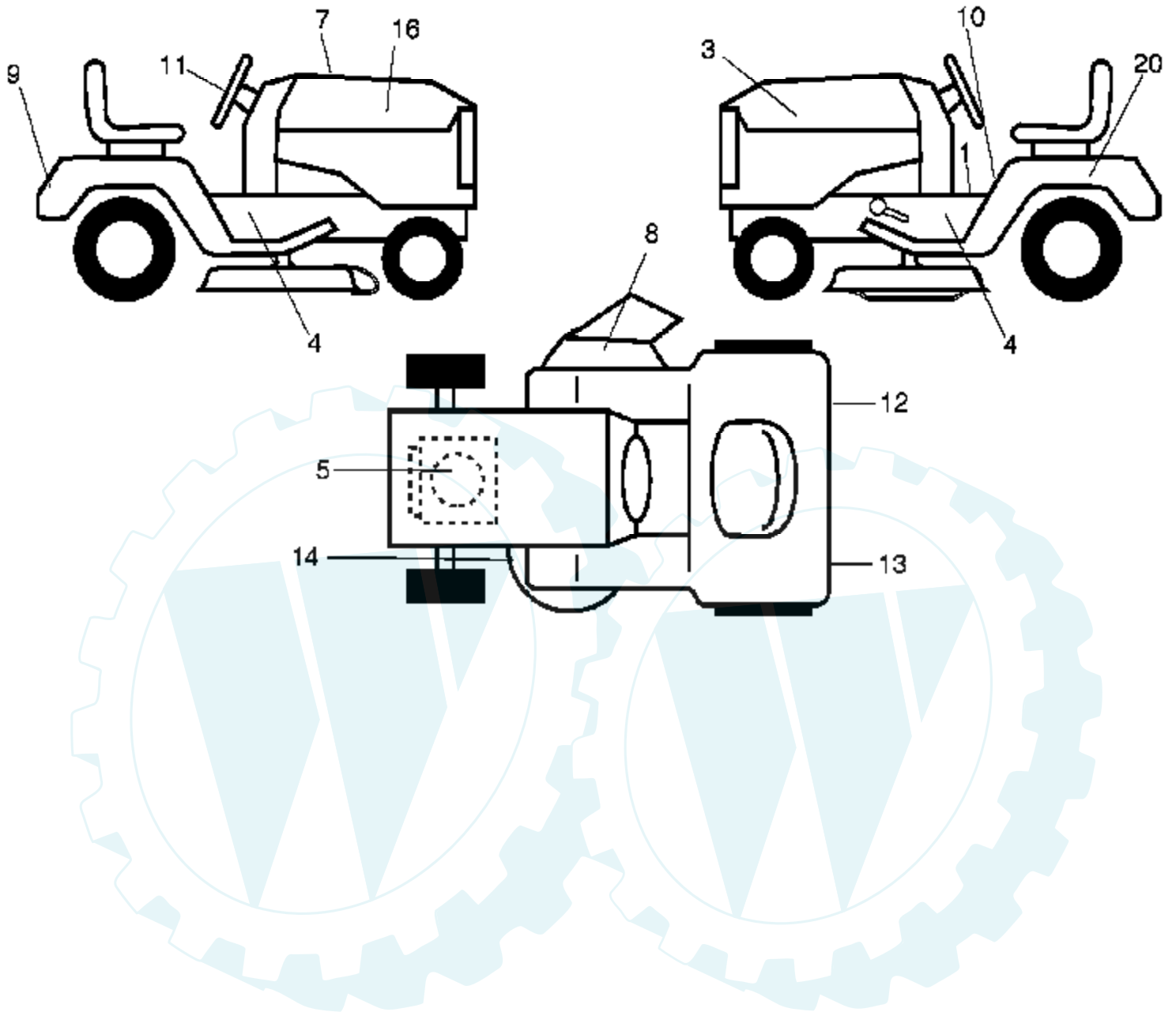
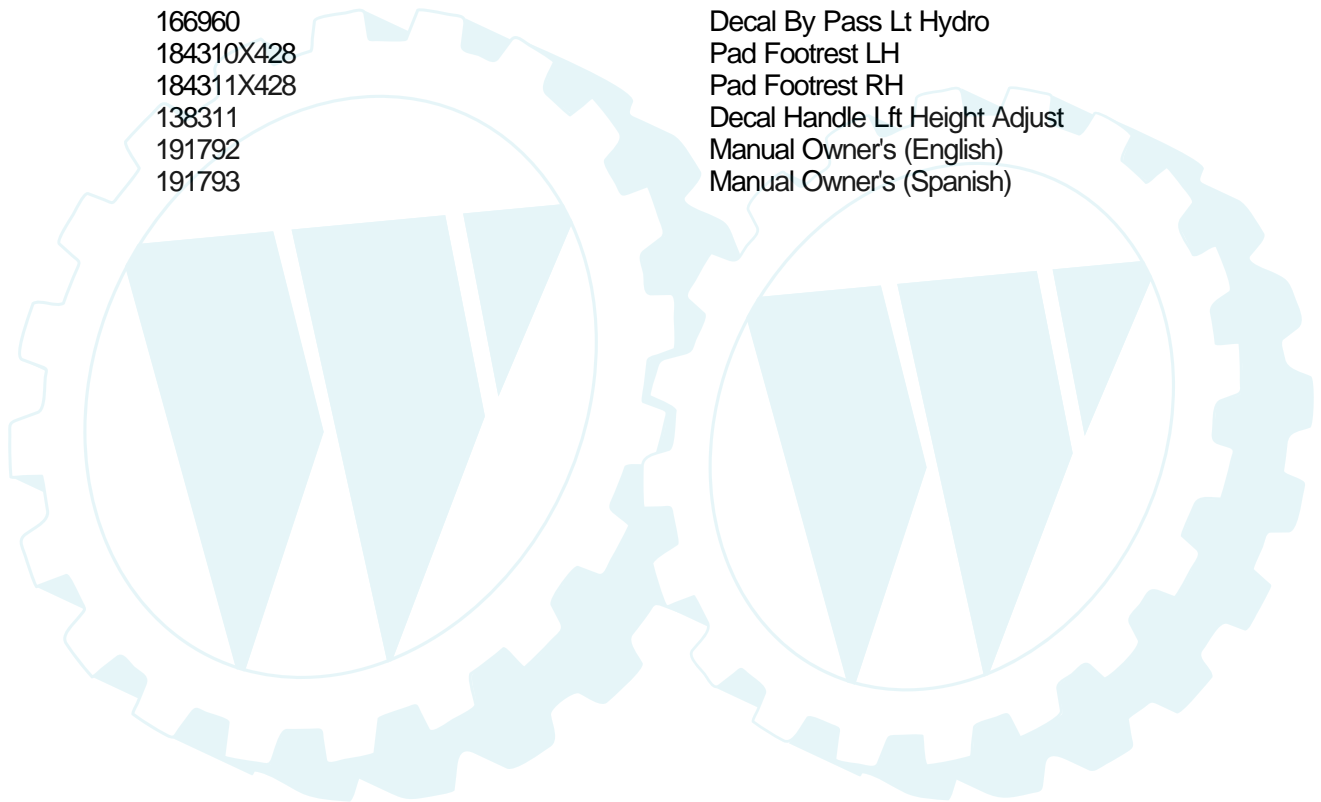
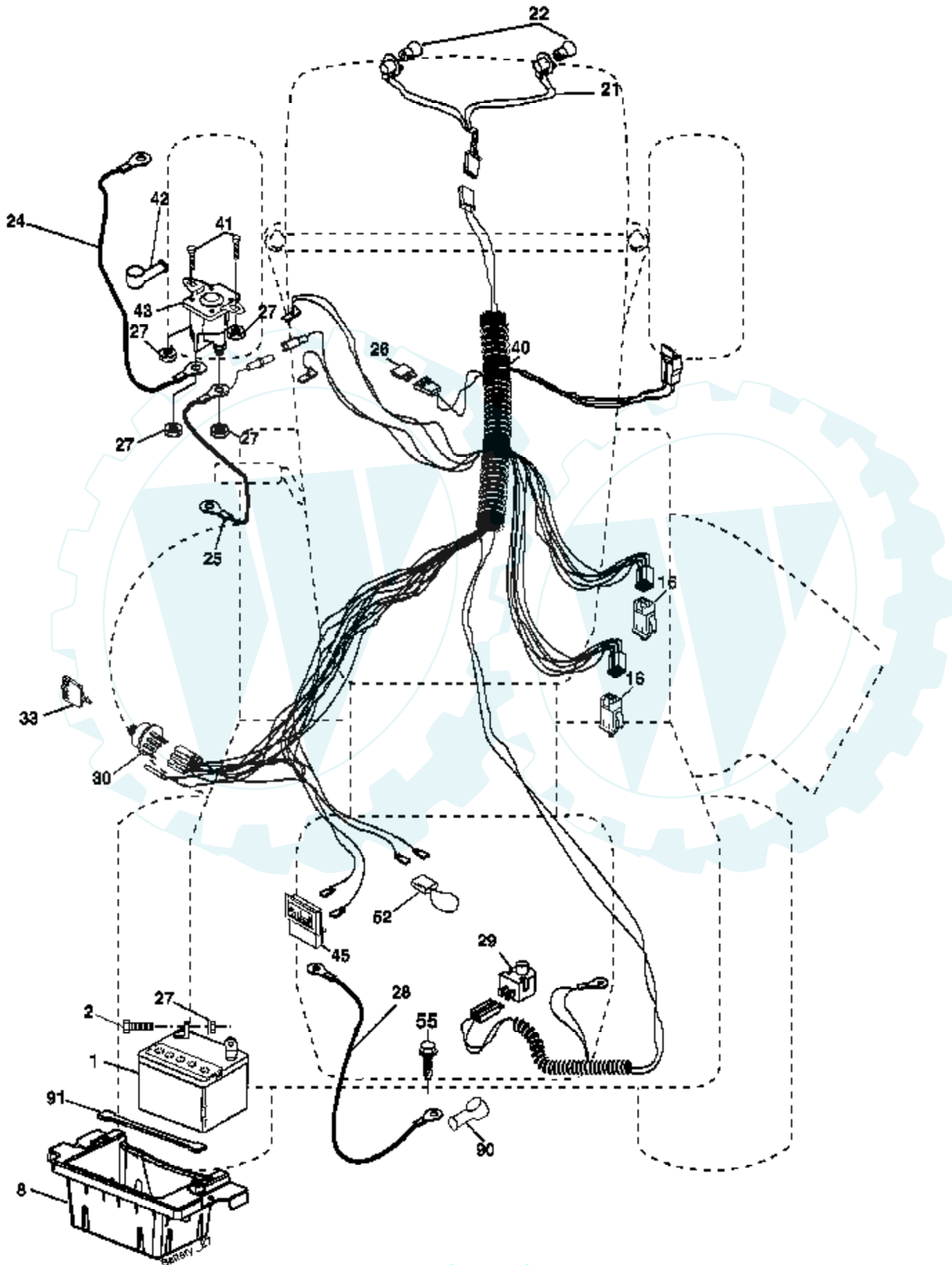


Ref #	Part Number	Qty	Description
1	174619		Chassis
2	176554		Drawbar
5	155272		Bumper Hood/Dash
9	187846X012		Dash P/L
10	72140608		Bolt Carriage 3/8-16 x 1
11	174996		Panel Dash Lh
13	175255		Panel Dash Rh
14	17490608		Screw Thdrol 3/8-16 x 1/2
17	183394X505		Hood
18	184921		Bumper Hood
26	73800600		Nut Lock Hex W/Ins 3/8-16 unc
28	183552		Grille/Lens Asm (Includes Key Nos. 29 and 212)
29	183549X599		Lens Grille
30	188572X505		Fender Footrest STLT Pnt
31	139976		Bracket Fender
37	17490508		Screw Thdrol 6/16-18 x 1/2 TYT
38	175710		Bracket Asm Pivot Mower Rear
39	174714		Bracket Pivot
58	184462		Duct Air
60	72140606		Bolt RDHD Sqnk 3/8-16 unc x 3/4
64	154798		Dash Lower STLT
74	73680600		Nut Crownlock 3/8-16 unc
90	124346X		Nut Self Thd Wsh - HD 1/4 Zinc
142	175702		Plate Reinforcement STLT
143	186689		Bracket Swaybar Chassis
144	175582		Bracket Footrest Step-thru
145	156524		Rod Pivot Chassis/Hood
159	179950X428		Cupholder
166	191611		Screw 10 x 3/4 Single Lead-Hex
206	170165		Bolt Shoulder 5/16-18
207	17670508		Screw Thdrol 5/16-18 x 1/2
208	17670608		Screw Thdrol 3/8-16 x 1/2
209	17000612		Screw Hexwsh Thdr 3/8-16 x 3/4
212	183550		Insert Lens Refl.
217	179132X428		Console Fuel Window

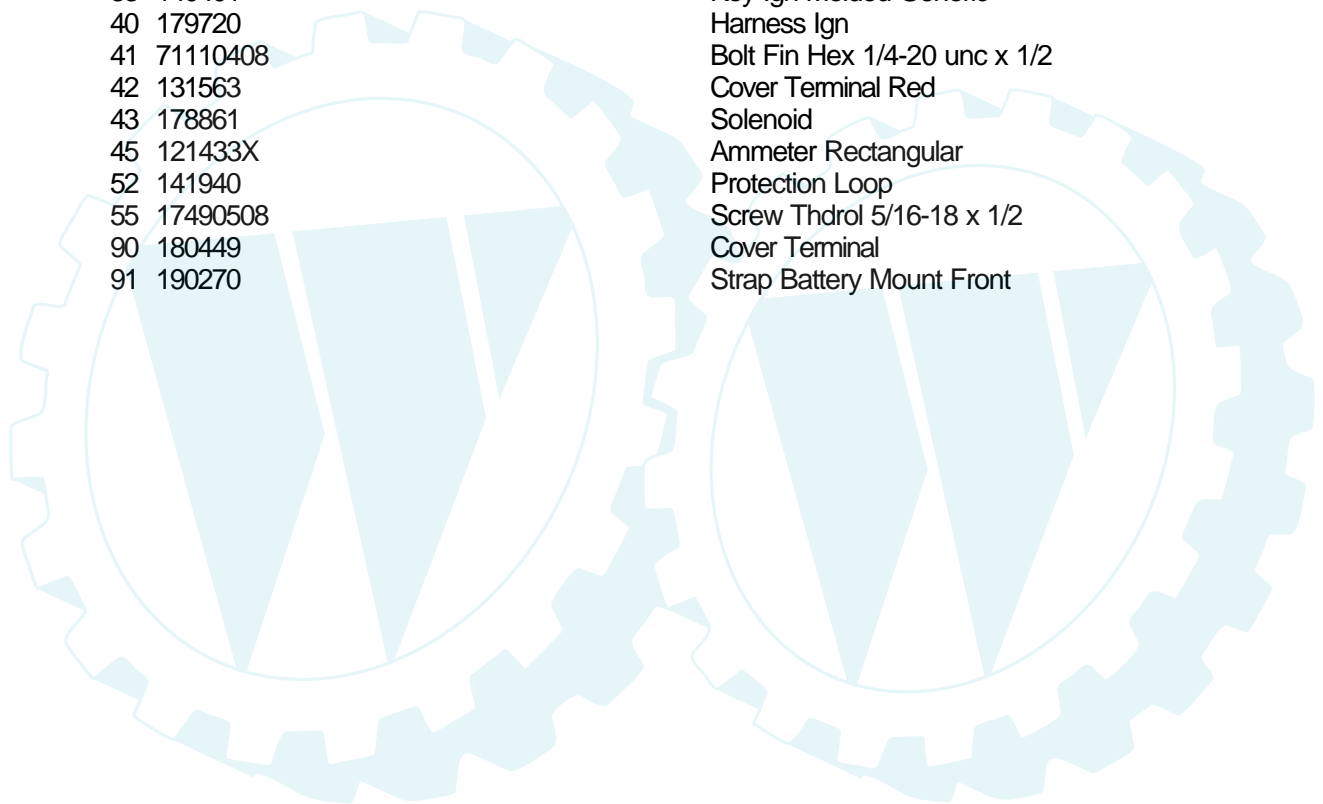


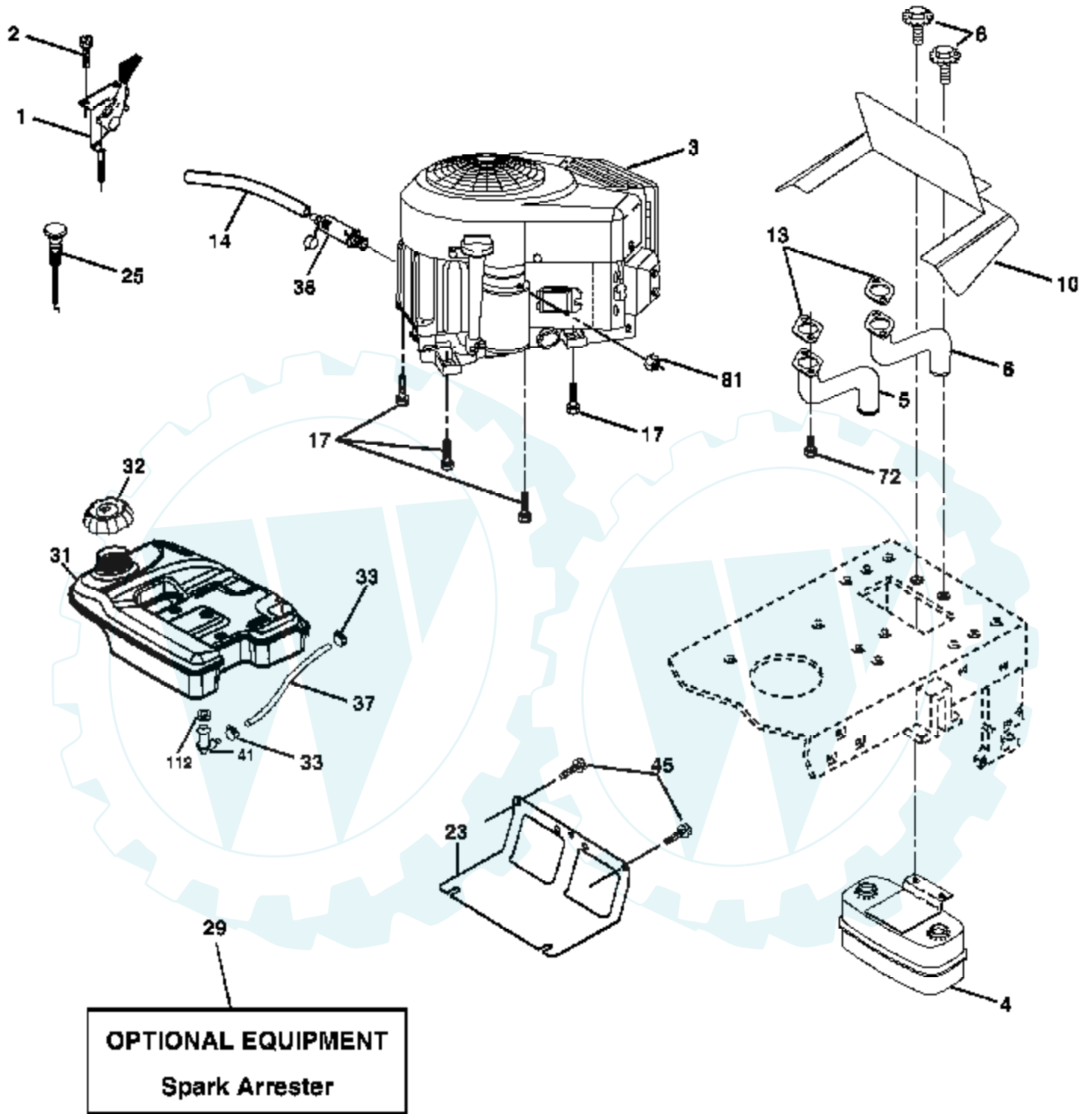
Ref #	Part Number	Qty	Description
1	156811		Decal Oper
3	190428		Decal Hood LH
4	190536		Decal Chassis
5	189489		Decal HP Engine
7	189118		Decal Replacement Parts
8	179128		Decal Deck "B" 42"
9	190429		Decal Fender Logo
10	157141		Decal Fender Danger
11	190430		Decal Ins Strg Whl
12	173587		Decal Fend Reflector Rh
13	173589		Decal Fend Reflector Lh
14	160396		Decal V-Belt Schematic
16	190427		Decal Hood Rh
20	145005		Decal Bat Dan/Psn
	166960		Decal By Pass Lt Hydro
	184310X428		Pad Footrest LH
	184311X428		Pad Footrest RH
	138311		Decal Handle Lft Height Adjust
	191792		Manual Owner's (English)
	191793		Manual Owner's (Spanish)



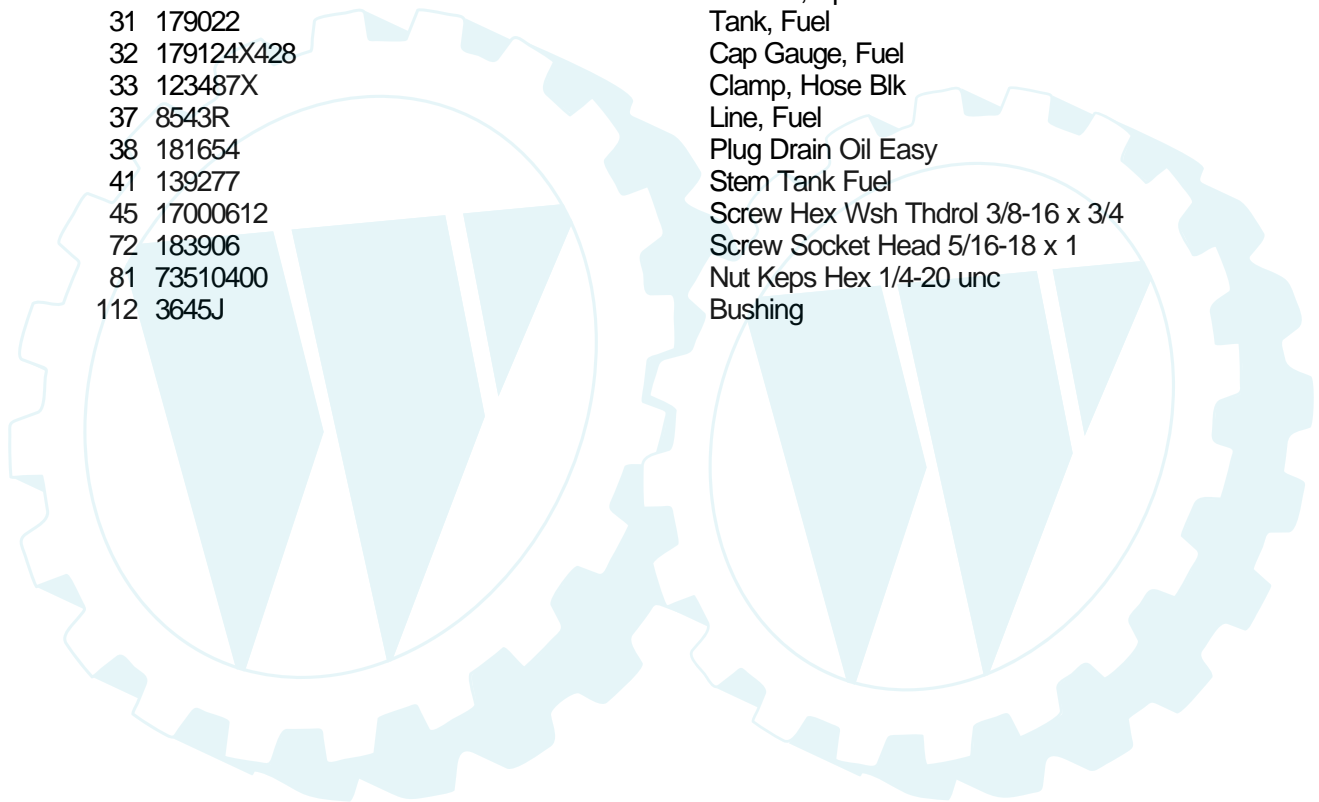


Ref #	Part Number	Qty	Description
1	144927		Battery
2	74760412		Bolt Hex Hd 1/4-20 unc x 3/4
8	186491		Box Battery
16	176138		Switch Interlock
21	183759		Harness Socket Light
22	4152J		Bulb, Light # 1156
24	4799J		Cable Battery
25	146148		Cable Battery 6 Ga. Red w/16 wire
26	175158		Fuse
27	73510400		Nut Keps Hex 1/4-20 unc
28	145491		Cable Ground 21" Blk 6 Ga.
29	121305X		Switch Plunger Nc Gray
30	175566		Switch Ign
33	140401		Key Ign Molded Generic
40	179720		Harness Ign
41	71110408		Bolt Fin Hex 1/4-20 unc x 1/2
42	131563		Cover Terminal Red
43	178861		Solenoid
45	121433X		Ammeter Rectangular
52	141940		Protection Loop
55	17490508		Screw Thdrol 5/16-18 x 1/2
90	180449		Cover Terminal
91	190270		Strap Battery Mount Front

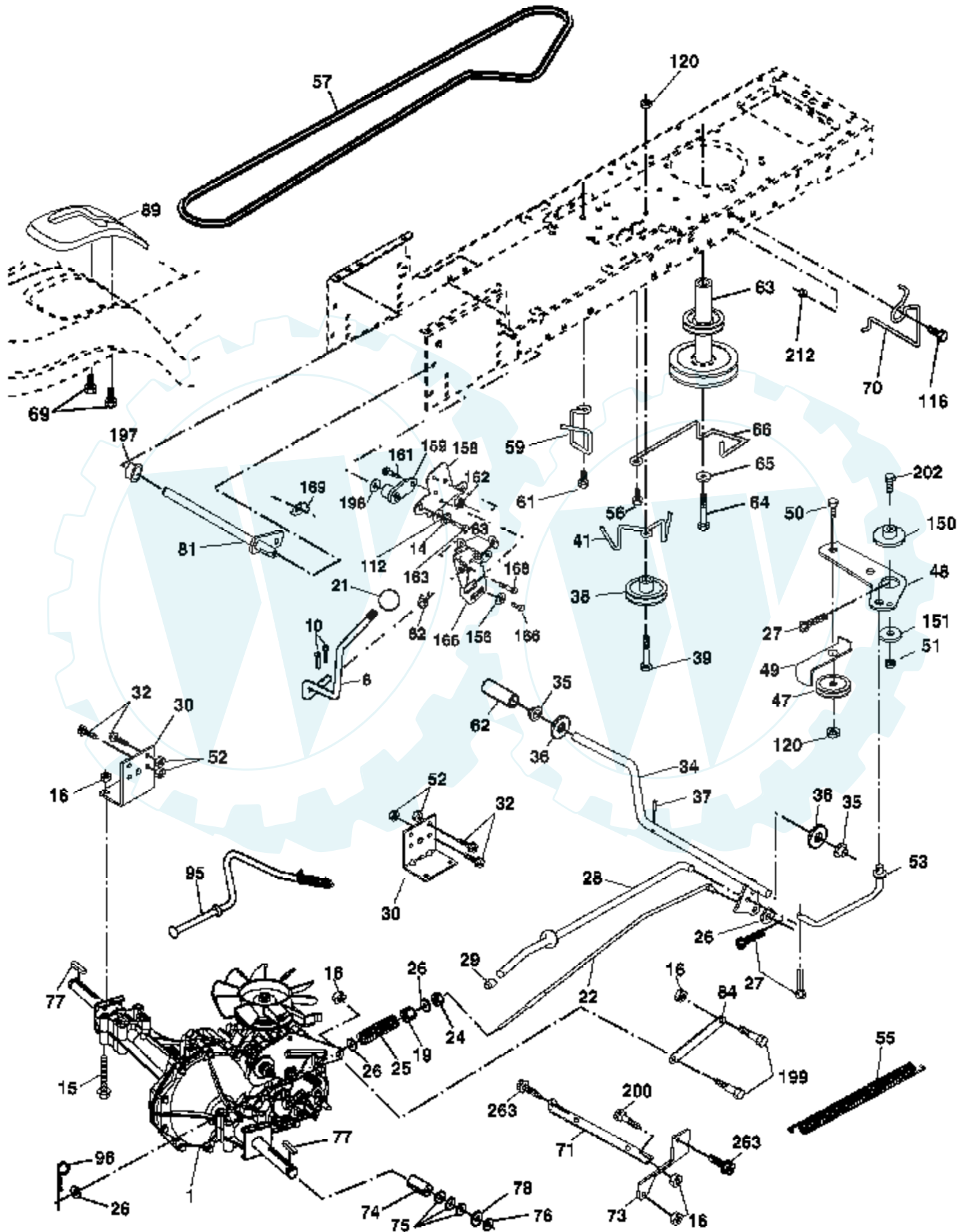




Ref #	Part Number	Qty	Description
1	170771		Control, Throttle
2	17720408		Screw Hex Thd Cut 1/4-20 x 1/2
3			Engine Briggs Model 407577 (Order Parts from Engine Mfg.)
4	149723		Muffler, Asm. Twin Lo-Tone
5	160589		Pipe Exhaust Intek 20 RH
6	159955		Pipe Exhaust Intek 20 LH
8	171877		Bolt 5/16-18 unc x 3/4 w/Sems
10	162797		Shield Browing B&S Intek II
13	165391		Muffler Gasket
14	148456		Tube Oil Drain
17	17060624		Screw 3/8-16 x 1-1/2
23	169837		Shield, Browning/Debris Guard
25	187766X428		Control Choke
29	137180		Arrester, Spark
31	179022		Tank, Fuel
32	179124X428		Cap Gauge, Fuel
33	123487X		Clamp, Hose Blk
37	8543R		Line, Fuel
38	181654		Plug Drain Oil Easy
41	139277		Stem Tank Fuel
45	17000612		Screw Hex Wsh Thdrol 3/8-16 x 3/4
72	183906		Screw Socket Head 5/16-18 x 1
81	73510400		Nut Keps Hex 1/4-20 unc
112	3645J		Bushing

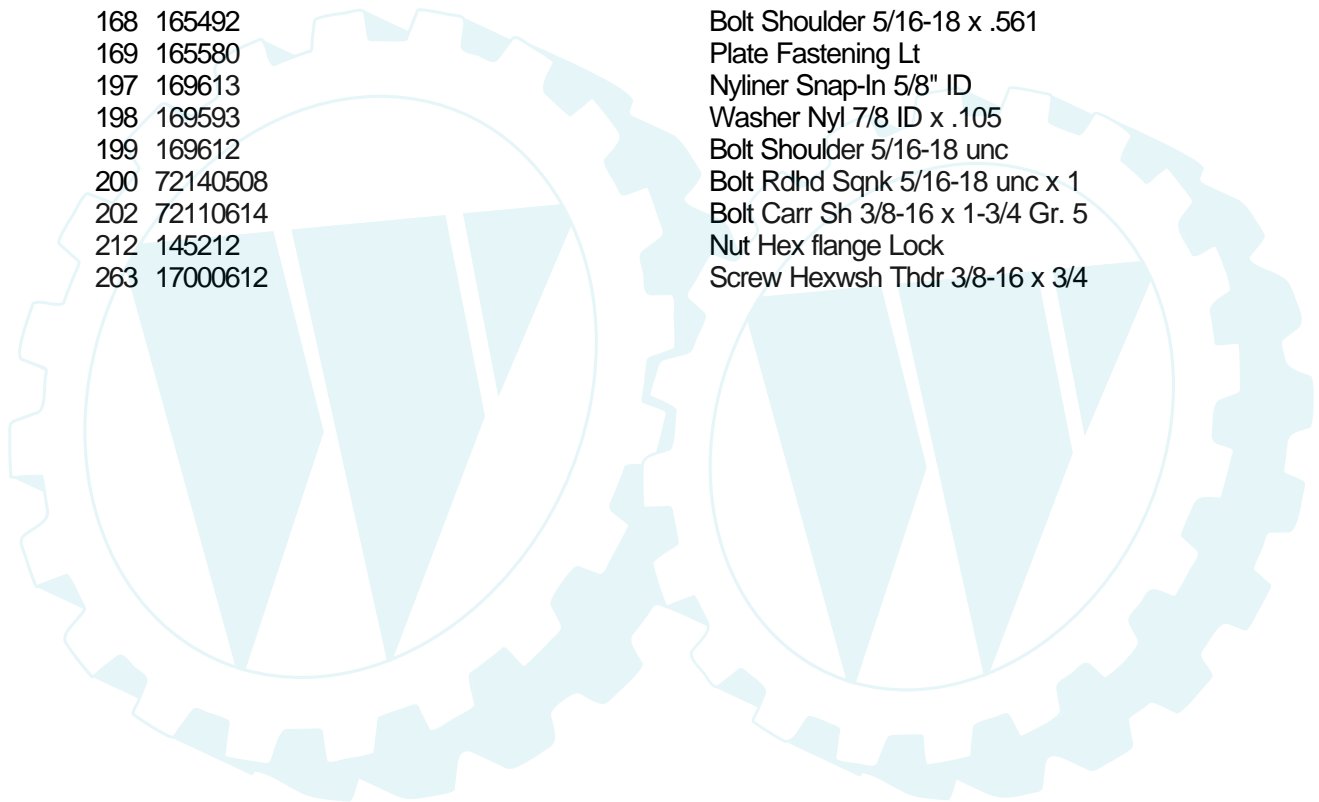


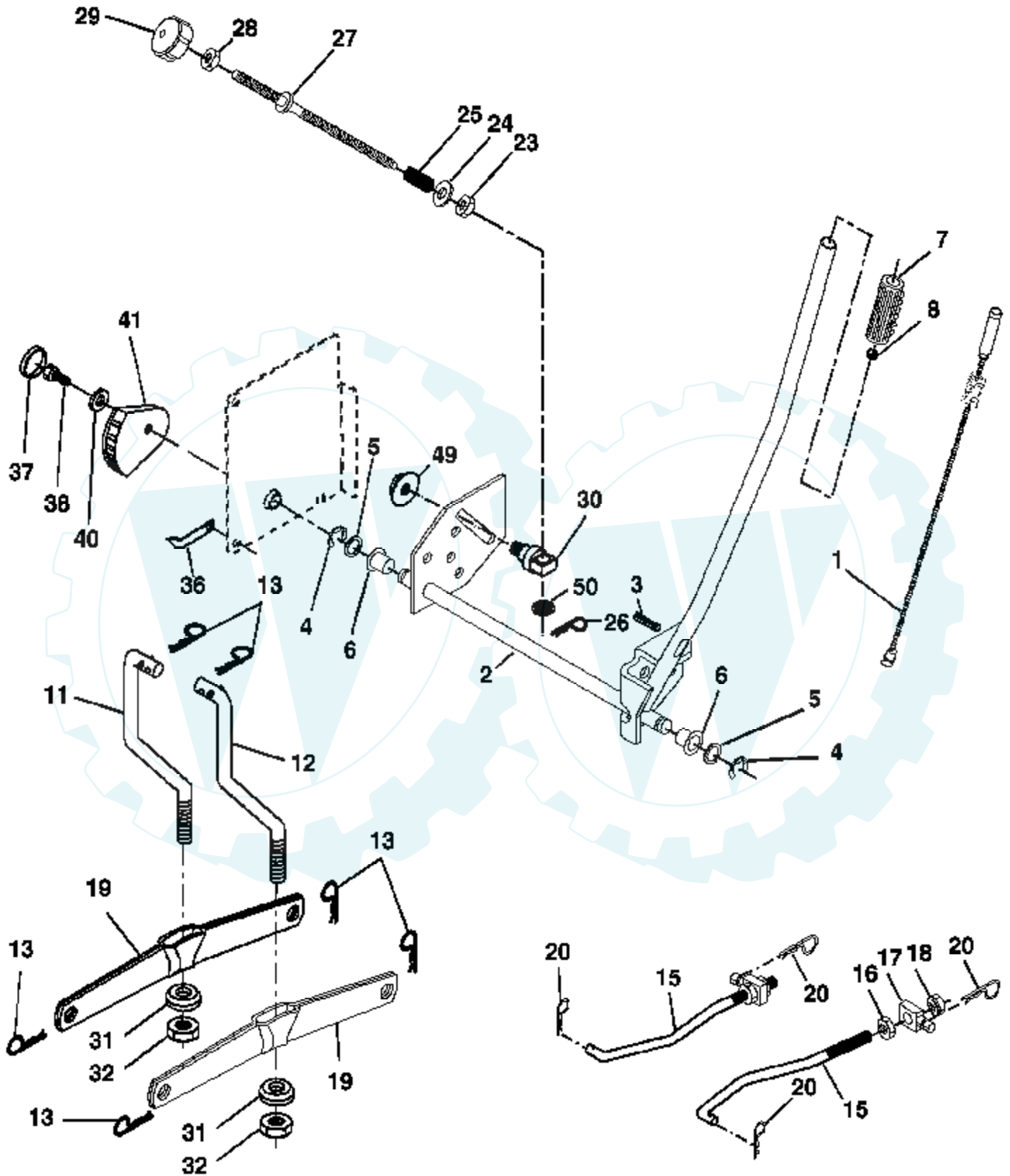




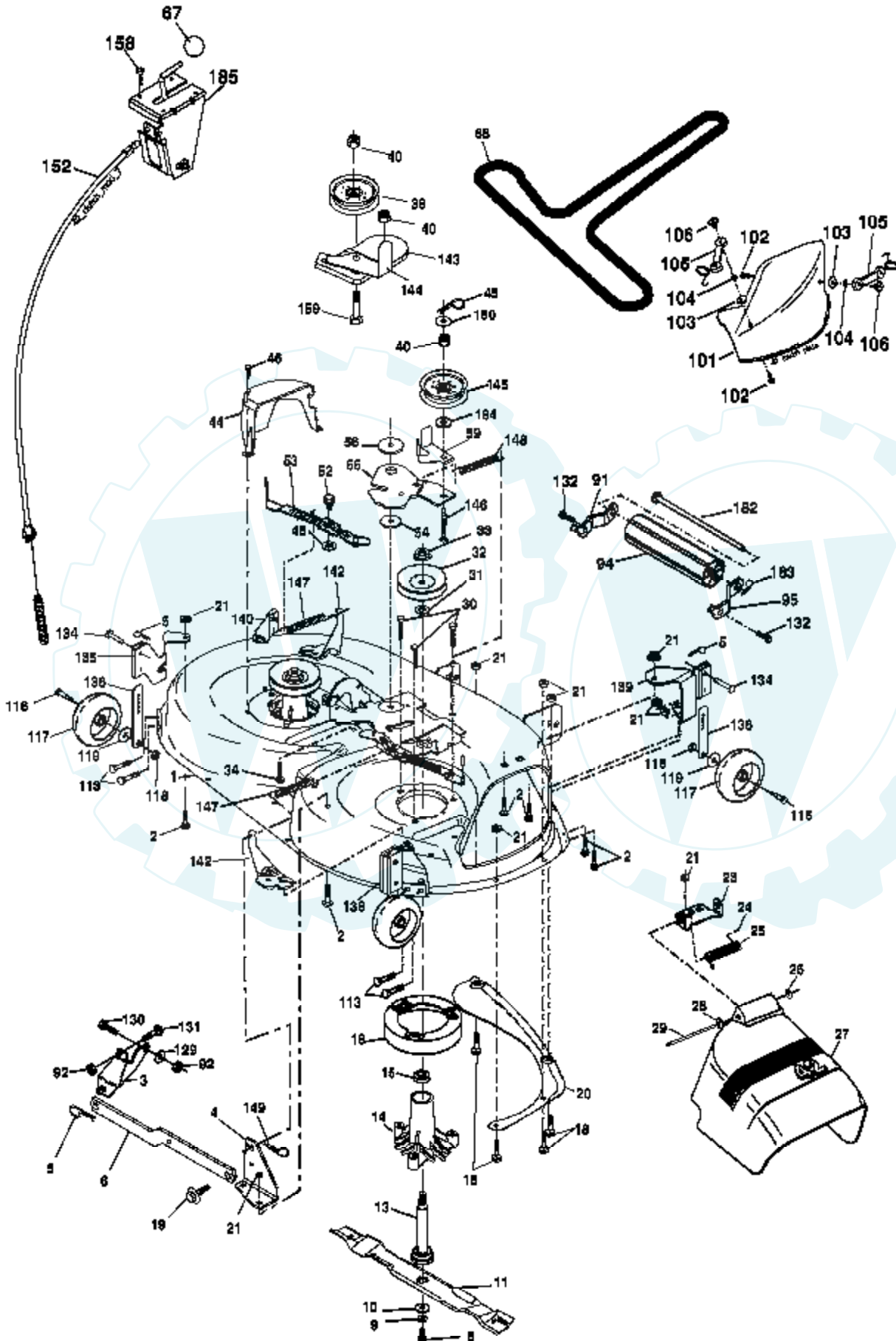
Ref #	Part Number	Qty	Description
1			Transaxle Hydro Gear 314-0510 (Order Parts From Transaxle Manufacturer)
8	165866		Rod Shift
10	76020416		Pin Cotter 1/8 x 1 CAD
14	10040400		Washer Lock Hvy Helical
15	74490544		Bolt, Hex FLGHD 5/16-18 Gr. 5
16	73800500		Nut Lock Hex W/Ins 5/16-18 unc
19	73800600		Nut Lock Hex W/Wsh 3/8-16 unc
21	140845		Knob, Round 1/2-13
22	169498		Rod, Brake Hydro
24	73350600		Nut
25	106888X		Spring, Brake Rod
26	19131316		Washer
27	76020412		Pin Cotter 1/8 x 3/4 CAD.
28	175765		Rod, Parking Brake
29	71673		Cap, Parking Brake
30	169592		Bracket, Transaxle
32	74760512		Bolt Hex Hd 5/16-18 unc x 3/4
34	175578		Shaft, Foot Pedal
35	120183X		Bearing, Nylon
36	19211616		Washer
37	1572H		Pin, Roll
38	179114		Pulley, Composite
39	72110622		Bolt Rdhd 3/8-16 unc x 2-3/4 Gr. 5
41	175556		Keeper, Belt Idler
47	127783		Pulley, Idler, V-Groove
48	154407		Bellcrank Clutch Grnd Drv STL
49	123205X		Retainer, Belt
50	72110612		Bolt Carr Sh 3/8-16 x 1-1/2 Gr. 5
51	73680600		Nut Crownlock 3/8-16 unc
52	73680500		Nut Crownlock 5/16-18 unc
53	105710X		Link, Clutch
55	105709X		Spring, Return, Clutch
56	17060620		Screw 3/8-16 x 1-1/4
57	140294		V-Belt, Ground Drive
59	169691		Keeper, Center Span
61	17120614		Screw 3/8-16 x .875
62	8883R		Cover, Pedal
63	175410		Pulley, Engine
64	173937		Bolt Hex 7/16-20 x 4 x Gr. 5-1.5 Thr
65	10040700		Washer
66	154778		Keeper Belt Engine
69	142432		Screw Hex Wsh Hi-Lo 1/4-1/2 unc
70	134683		Guide Belt
71	169183		Strap Torque Lh Hydro
73	169182		Strap Torque Rh Hydro
74	137057		Spacer, Axle
75	121749X		Washer 25/32 x 1-1/4 x 16 Ga.
76	12000001		E-Ring
77	123583X		Key, Square
78	121748X		Washer 25/32 x 1-5/8 x 16 Ga.
81	165596		Shaft Asm. Cross Hydro
82	165711		Spring Torsion T/A
83	19171216		Washer 17/32 x 3/4 x 16 Ga.
84	169594		Link Transaxle
89	188309X428		Console, Shift
95	170201		Control Asm Bypass Hydro

Ref #	Part Number	Qty	Description
96	4497H		Retainer Spring 1" Zinc/Cad
112	19091210		Washer 9/32 x 3/4 x 10 Ga.
116	72140608		Bolt RDHD SQNK 3/8-16 unc x 1
120	73900600		Nut Lock Flg 3/8-16 unc
150	175456		Spacer Retainer
151	19133210		Washer 13/32 x 2 x 10 Ga.
156	166002		Washer Srrted 5/16 ID x 1.125
158	165589		Bracket Shift Mount
159	183900		Hub Shift
161	72140406		Bolt Rdhd Sqnk 1/4-20 x 3/4 Gr. 5
162	73680400		Nut Crownlock 1/4-20 unc
163	74780416		Bolt Hex Fin 1/4-20 unc x 1 Gr. 5
165	165623		Bracket Pivot Lever
166	17490510		Screw 5/16-18 x 5/8
168	165492		Bolt Shoulder 5/16-18 x .561
169	165580		Plate Fastening Lt
197	169613		Nyliner Snap-In 5/8" ID
198	169593		Washer Nyl 7/8 ID x .105
199	169612		Bolt Shoulder 5/16-18 unc
200	72140508		Bolt Rdhd Sqnk 5/16-18 unc x 1
202	72110614		Bolt Carr Sh 3/8-16 x 1-3/4 Gr. 5
212	145212		Nut Hex flange Lock
263	17000612		Screw Hexwsh Thdr 3/8-16 x 3/4





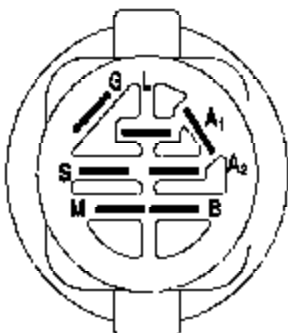
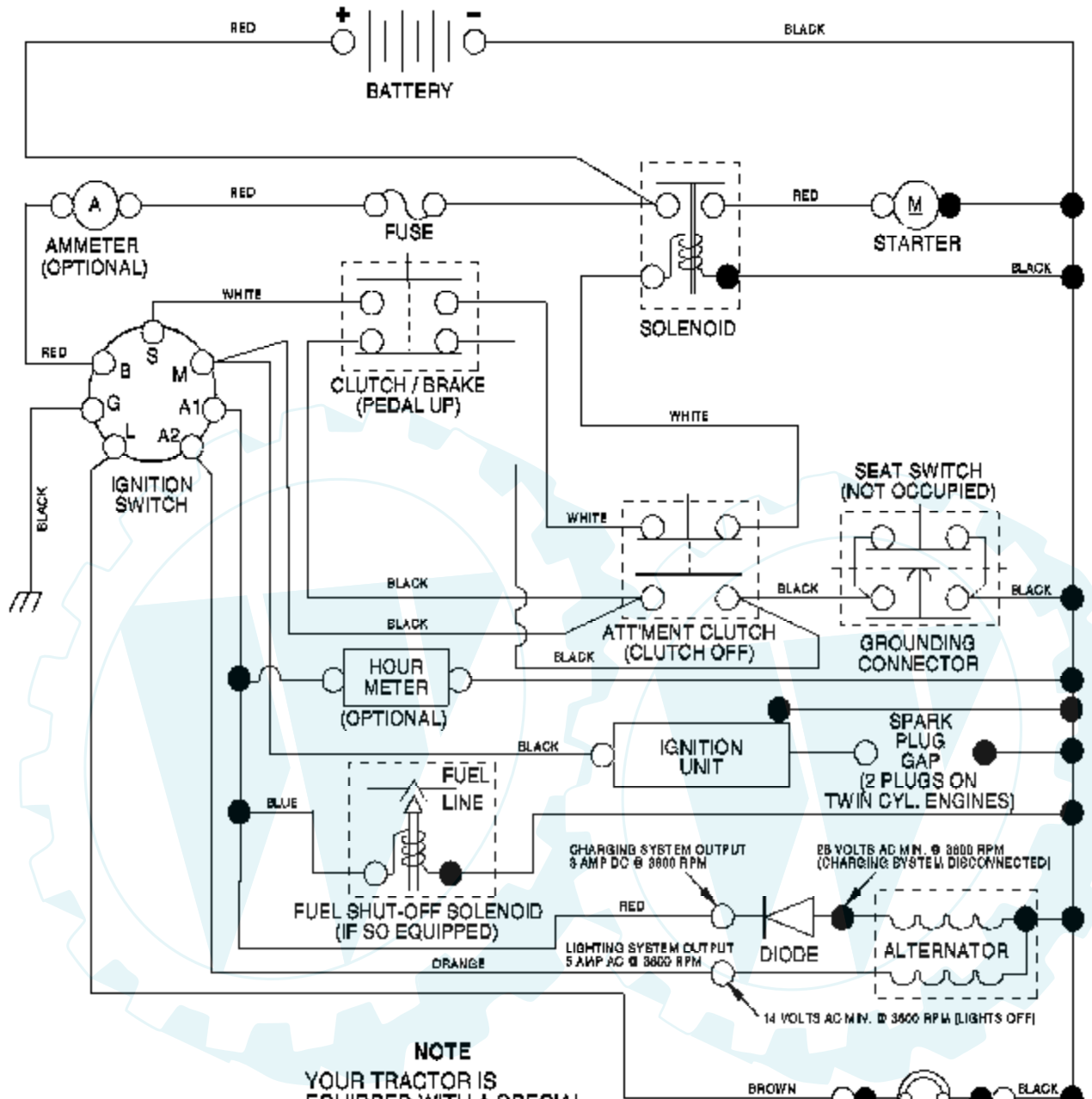
Ref #	Part Number	Qty	Description
1	159461		Wire Asm Inner/Sprg W/plunger
2	159476		Shaft Asm Lift RH w/Inf
3	188822		Pin Groove
4	12000002		E Ring #5133-62
5	19211621		Washer 21/32 x 1 x 21 Ga.
6	120183X		Bearing Nylon Blk 629 Id
7	125631X		Grip Handle
8	124526X		Button Plunger
11	139865		Link Lift LH Fixed Length
12	139866		Link Lift RH Fixed Length
13	4939M		Retainer Spring
15	173288		Link Front
16	73350800		Nut Jam Hex 1/2-13 unc
17	175689		Trunnion
18	73800800		Nut Lock W/Wsh 1/2-13 unc
19	139868		Arm Suspension Rear
20	163552		Retainer Spring
23	110807X		Nut Special
24	19131016		Washer 13/32 x 5/8 x 16 Ga.
25	2876H		Spring 2-1/8"
26	169484		Retainer Clip
27	126971X		Rod Adj Lift Zinc 7.49 Wrk Lg
28	73350600		Nut Hex Jam 3/8-16 unc
29	138057		Knob Inf 3/8-16 unc Blk W/sym
30	150233		Trunnion Infin Height
31	169865		Bearing Pvt Lift
32	73540600		Nut Crownlock 3/8 - 24
36	155097		Pointer Height Indicator
37	123935X		Plug Hole Blk 1.485/1.515 Dia.
38	17060516		Screw 5/16-18 x 1
40	19112410		Washer 11/32 x 1-1/2 10 Ga.
41	155098		Indicator Height STLT
49	145212		Nut Hex Flange Lock
50	110452X		Nut PUsH Phos & Oi



Ref #	Part Number	Qty	Description
1	182032		Mower Deck Assembly, 42"
2	72140506		Bolt
3	138017		Bracket Asm Fr. Sway Bar 3/42
4	165460		Bracket Asm Deck 42" Sway Bar
5	4939M		Retainer Spring
6	178024		Bar Sway Deck
8	850857		Bolt 3/8-24 x 1.25 Gr. 8 patched
9	10030600		Washer, Lock
10	140296		Washer, Hardened (The following Blades are available)
11	134149		Blade, Mulching 42" Std (For mulching mowers only)
	139775		Blade Mulching 42" Premium (For better wear when mulching)
	138971		Blade Mower 42" Hi-Lift (For bagging and discharging)
13	137645		Shaft Assembly, Mandrel, Vented
14	128774		Housing, Mandrel, Vented
15	110485X		Bearing, Ball, Mandrel
16	174493		Stripper, Mandrel Deck
18	72140505		Bolt, Carriage 5/16-18 x 5/8
19	132827		Bolt, Shoulder
20	159770		Baffle, Vortex
21	73680500		Nut
23	177563		Bracket, Deflector Mower 42"
24	105304X		Cap, Sleeve 80 x 112 Blk Mower
25	123713X		Spring, Torsion, Deflector 2 52
26	110452X		Nut, Push Phos & Oil
27	130968X428		Shield, Deflector 42" Blk
28	19111016		Washer 11/32 x 5/8 x 16 Ga.
29	131491		Rod, Hinge 42" 6 75 W/G
30	173984		Screw Thdrol
31	187690		Washer, Spacer Mower Vented
32	153535		Pulley, Mandrel
33	178342		Nut, Toplock
34	72110612		Bolt Carr SH 3/8-16 x 1-1/2 Gr.5
36	131494		Pulley, Idler, Flat
40	73900600		Nut Lock 3/8-16
44	140088		Guard, Mandrel, LH
45	4497H		Retainer
46	137729		Screw, Thdrol 1/4-20 x 5/8 T
48	133944		Washer, Hardened
52	139888		Bolt, Shoulder 5/16-18 unc
53	184907		Arm Assembly, Pad, Brake
54	178515		Washer, Hardened
55	155046		Arm, Idler
56	165723		Spacer, Retainer
59	141043		Guard TUV Idler
67	106932X		Knob
68	144959		V-Belt, 42" Mower
91	180532		Bracket Asm Noseroller LH
92	73800600		Nut Lock Hex w/Ins 3/8-16 unc
94	132264		Roller Nose 38 & 42
95	180533		Bracket Asm Noseroller RH
101	136420		Mulcher Cover
102	71081010		Screw, Pan Hd Phillip 10-24 x 5/8
103	19061216		Washer, Flat
104	10071000		Washer, Lock
105	160793		Latch Assembly
106	2029J		Nut, Weld

Ref #	Part Number	Qty	Description
113	17060512		Screw 5/16-18 x 3/4
116	184219		Bolt, Shoulder
117	133957		Wheel, Gauge
118	73930600		Nut Centerlock 3/8-16
119	19121414		Washer 3/8 x 7/8 x 14 Ga.
129	19131312		Washer 13/32 x 13/16 x 12 Ga.
130	74780616		Bolt Fin HEx 3/8-16 unc x 1 Gr. 5
131	72140608		Bolt RDHD SQNK 3/8-16 unc x 1
132	17000612		Screw 3/8-16 x .75
134	156941		Pin Head Rivet
135	159765		Bracket Asm. Whl Ga. R LH
136	155986		Bar Adjusting Gauge Wheel
138	159763		Bracket Asm Whl Ga. R RH
139	159767		Bracket Asm. Whl Ga. F RH
140	159768		Bracket Asm Whl Ga. F LH
142	165890		Arm Spring Brake Mower
143	157109		Bracket Arm Idler 42"
144	158634		Keeper Belt 42" Clutch Cable
145	165888		Pulley Idler Flat
146	171977		Bolt Carriage Idler
147	131335		Spring Extension
148	169022		Spring Return Idler
149	165898		Retainer Spring Yellow
150	19091210		Washer 9/32 x 3/4 x 10 Ga.
152	169676		Clutch Cable 42"
158	17720408		Screw Hex Thd Cut 1/4-20 x 1/2
159	72140614		Bolt Rdhd Sqn 3/8-16 unc x 1-3/4
182	179126		Rod Roller Nose
183	163552		Retainer Spring
184	19131410		Washer 13/32 x 7/8 x 10 Ga.
185	188234		Head Asm Cable Clutch
	130794		Mandrel Assembly (Includes Housing Shaft and Shaft Hardware Only - Pulley Not Included)
	186917		Replacement Mower, Complete (Std. deck Order separately mulcher cover, nose roller and gauge wheel componants Key Nos. 101-106, 91, 94, 95, 132, 182, 183 and 116-119)





IGNITION SWITCH

POSITION	CIRCUIT	"MAKE"
OFF	M+G+A1	NONE
RUN/LIGHT	B+A1	A2+L
RUN	B+A1	NONE
START	B + S + A1	NONE

**NOTE**  
YOUR TRACTOR IS EQUIPPED WITH A SPECIAL ALTERNATOR SYSTEM. THE LIGHTS ARE NOT CONNECTED TO THE BATTERY, BUT HAVE THEIR OWN ELECTRICAL SOURCE. BECAUSE OF THIS, THE BRIGHTNESS OF THE LIGHTS WILL CHANGE WITH ENGINE SPEED. AT IDLE THE LIGHTS WILL DIM. AS THE ENGINE IS SPEEDED UP, THE LIGHTS WILL BECOME THEIR BRIGHTEST.

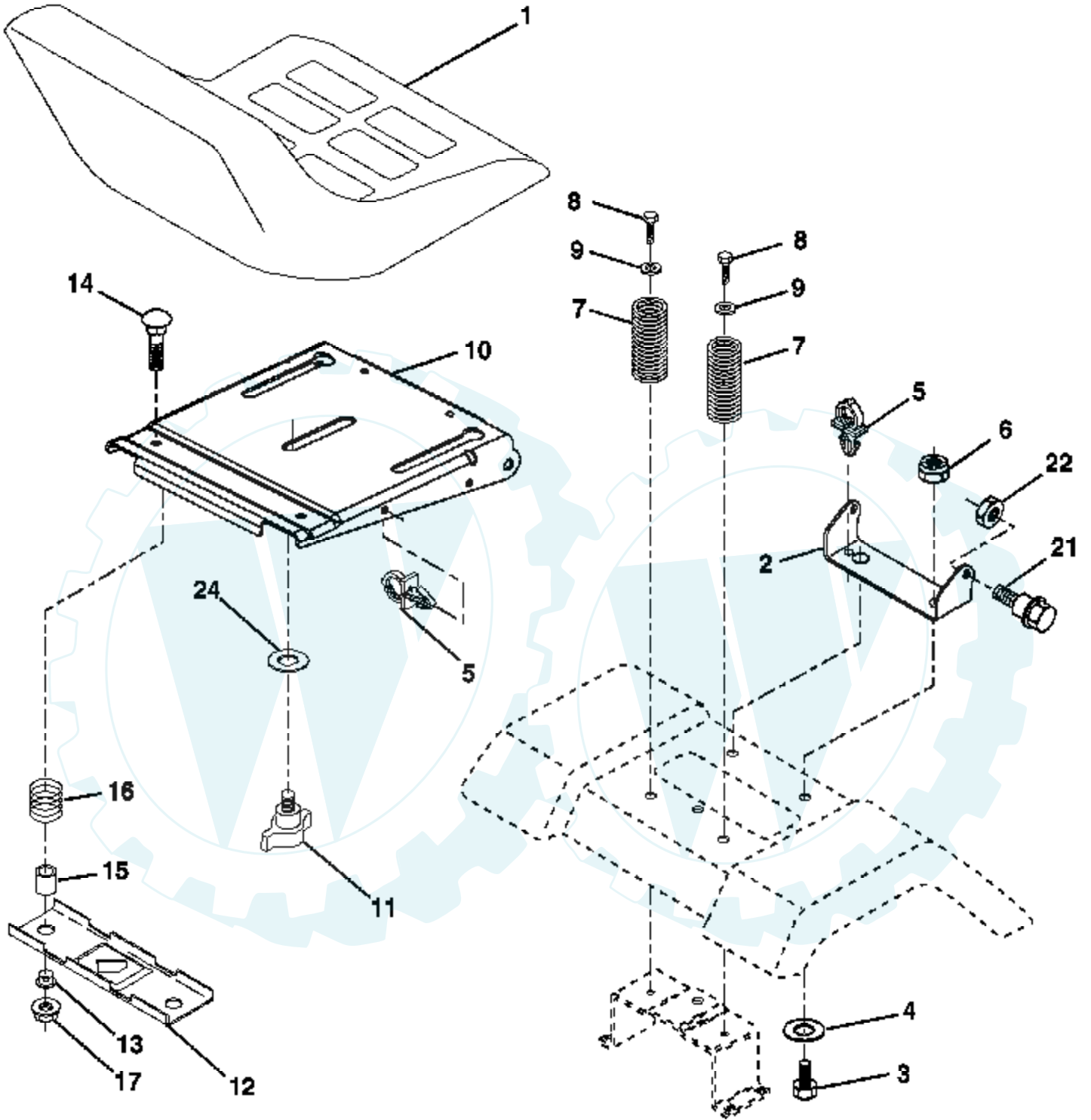
**WIRING INSULATED CLIPS**

**NOTE:** IF WIRING INSULATED CLIPS WERE REMOVED FOR SERVICING OF UNIT, THEY SHOULD BE REPLACED TO PROPERLY SECURE YOUR WIRING.

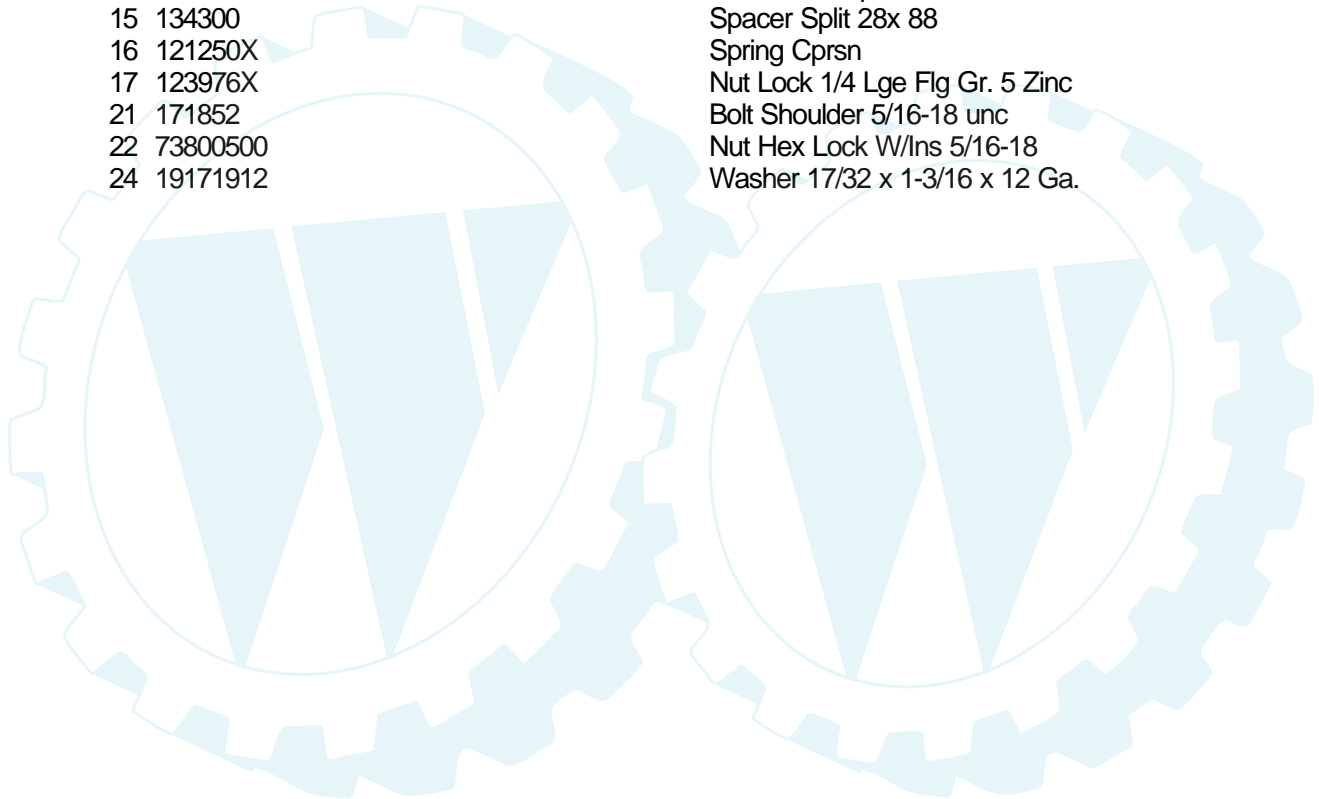
Der Ersatzteilspezialist im Internet.

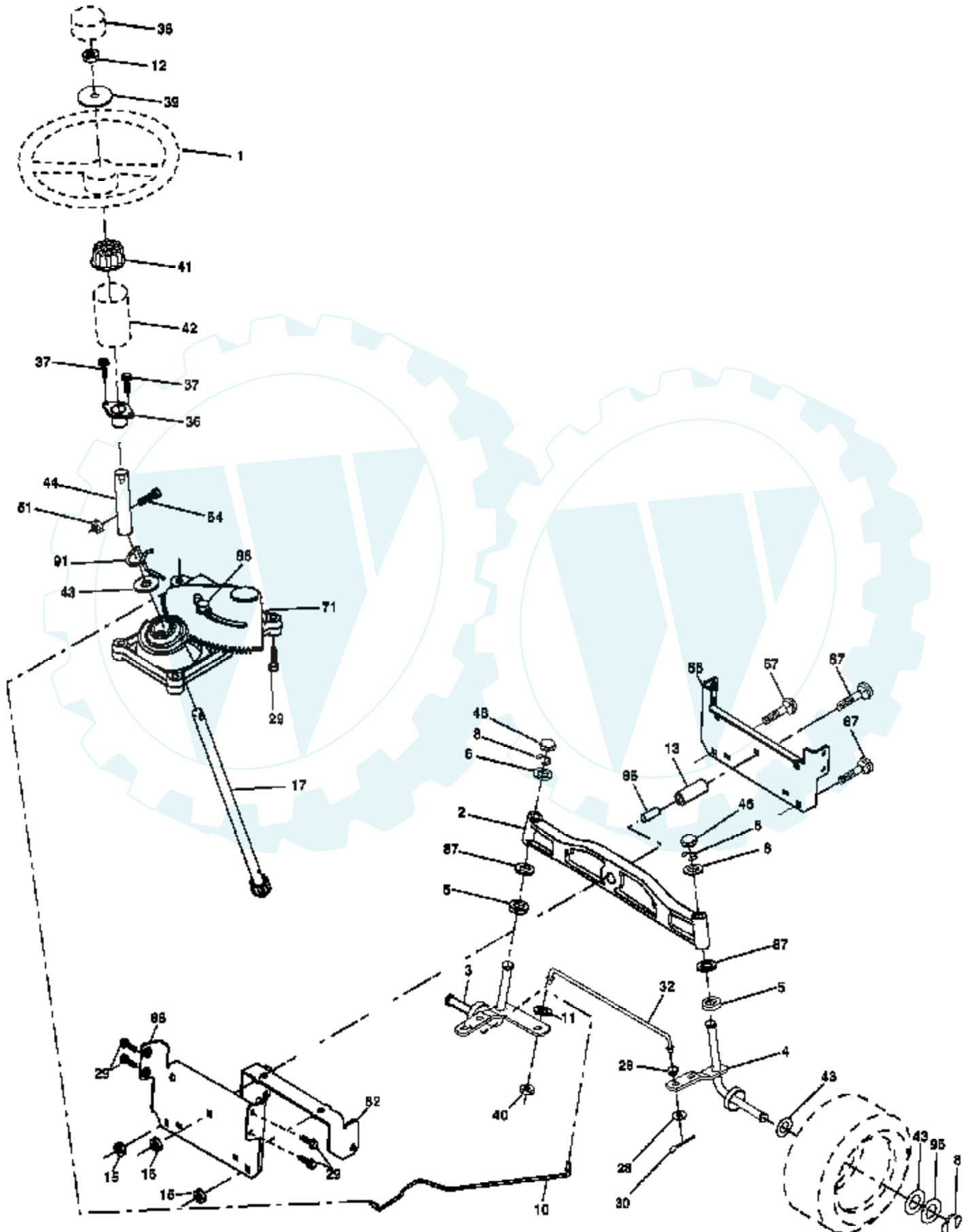
NON-REMOVABLE CONNECTIONS

REMOVABLE CONNECTIONS

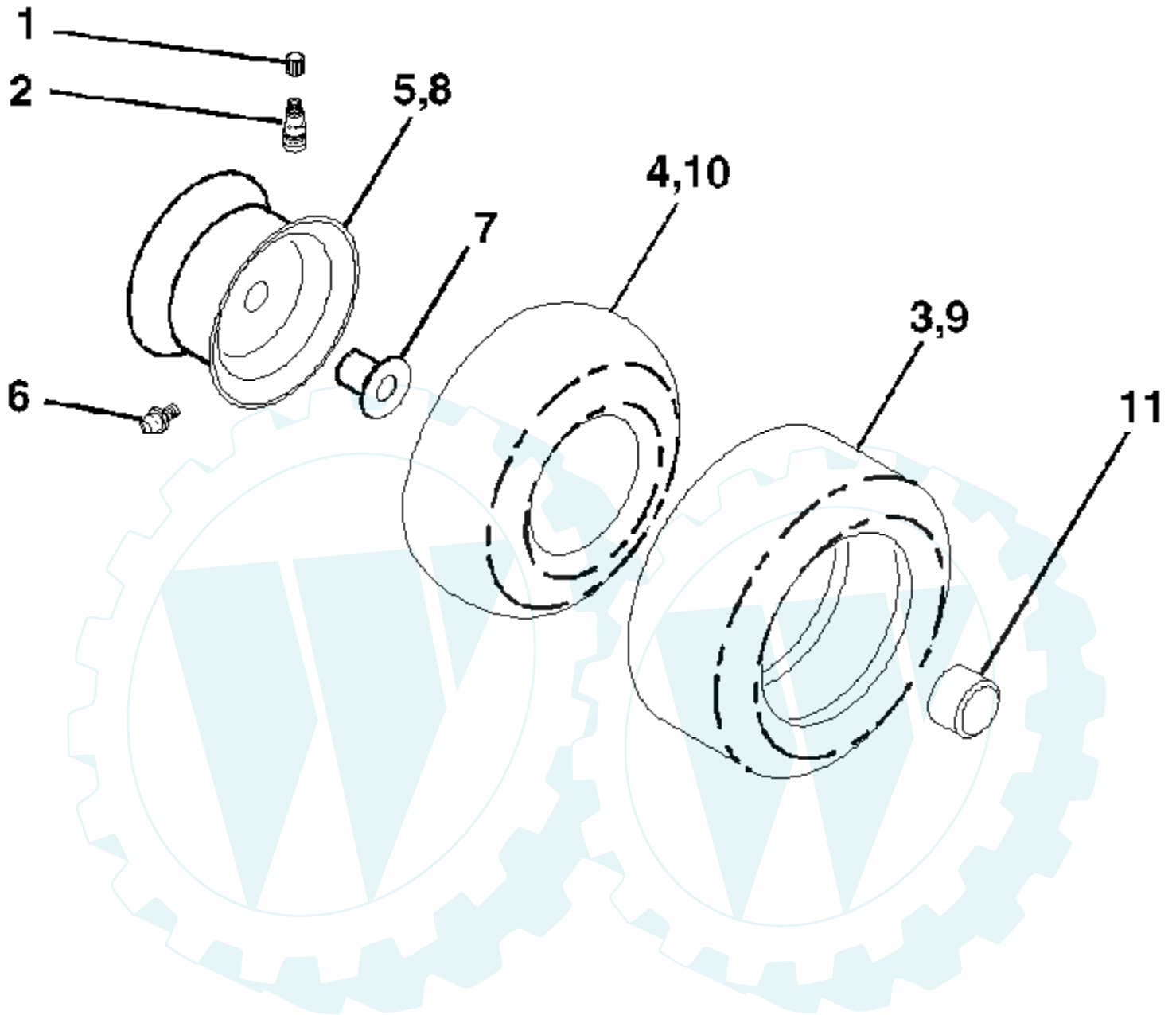


Ref #	Part Number	Qty	Description
1	188704		Seat
2	180166		Bracket Pivot Fender
3	71110616		Bolt Fin Hex 3/8-16 unc x 1
4	19131610		Washer 13/32 x 1 x 10 Ga.
5	145006		Clip Push-In
6	73800600		Nut Hex w/Ins. 3/8-16 unc
7	124181X		Spring Seat Cprsn 2 250 Blk Zi
8	17000616		Screw 3/8-16 x 1.5 Smgml
9	19131614		Washer 13/32 x 1 x 14 Ga.
10	180186		Pan Seat
11	166369		Knob Seat
12	121246X		Bracket Mounting Switch
13	121248X		Bushing Snap Blk Nyl 50 Id
14	72050412		Bolt Rdhd Sqnk 1/4-20 x 1-1/2
15	134300		Spacer Split 28x 88
16	121250X		Spring Cprsn
17	123976X		Nut Lock 1/4 Lge Fig Gr. 5 Zinc
21	171852		Bolt Shoulder 5/16-18 unc
22	73800500		Nut Hex Lock W/Ins 5/16-18
24	19171912		Washer 17/32 x 1-3/16 x 12 Ga.





Ref #	Part Number	Qty	Description
1	184704X428		Wheel Steering
2	184706		Axle Asm Cast Iron LT
3	169840		Spindle Asm LH
4	169839		Spindle Asm RH
5	6266H		Bearing Race Thrust Harden
6	121748X		Washer 25/32 x 1-5/8 x 16 Ga.
8	12000029		Ring Klip #t5304-75
10	175121		Link Drag
11	10040600		Washer Lock Hvy Hlcl Spr 3/8
12	73940800		Nut Hex Jam Toplock 1/2-20 unf
13	136518		Spacer Brg Axle Front
15	145212		Nut Hex Flange Lock
17	180641		Shaft Asm Steering
26	126847X		Bushing Link Drag
28	19131416		Washer 13/32 x 7/8 x 16 Ga.
29	17000612		Screw 3/8-16 x .75
30	76020412		Pin Cotter 1/8 x 3/4
32	130465		Rod Tie
36	155099		Bushing Strg
37	152927		Screw
38	159946X428		Insert Cap Strg Wh
39	19182411		Washer 9/16 x 1 1/20 x 11 Ga.
40	73540600		Crownlock nut
41	159945		Adaptor Wheel Strg
42	145054X428		Boot Steering Dash
43	121749X		Washer 25/32 x 1 1/4 x 16 Ga.
44	180640		Extension Steering Shaft
46	121232X		Cap Spindle Fr Top Blk
51	73540400		Nut Crownlock 1/4-28
54	71130420		Bolt Hex 1/4-28 unf x 1-1/4 Gr. 8
65	160367		Spacer Brace Axle
67	72110618		Bolt RDHD SQNK 3/8-16 x 2 1/4
71	175146		Steering Asm
68	169827		Axle, Brace
82	169835		Bracket Susp Chassis Front
87	173966		Washer Flat .781 x 1-1/2 x .14
88	175118		Bolt Shoulder 7/16-20 unc
91	175553		Clip Steering
95	188967		Washer Harden .739 x 1.637 x 060



Ref #	Part Number	Qty	Description
1	59192		Cap Valve Tire
2	65139		Stem Valve
3	106222X		Tire F T 15 x 6 0 - 6 Service
4	59904		Tube Front (Service Item Only)
5	106732X624		Rim Asm 6" front Service
6	278H		Fitting Grease (Front Wheel Only)
7	9040H		Bearing Flange (Front Wheel nly)
8	106108X624		Rim Asm 8" rear Service
9	122082X		Tire R T 20 x 10-8 Service
10	7152J		Tube Rear (Service Item Only)
11	104757X428 144334		Cap Axle Blk 1 50 x 1 00 Sealant, Tire ( 10 oz. Tube)

