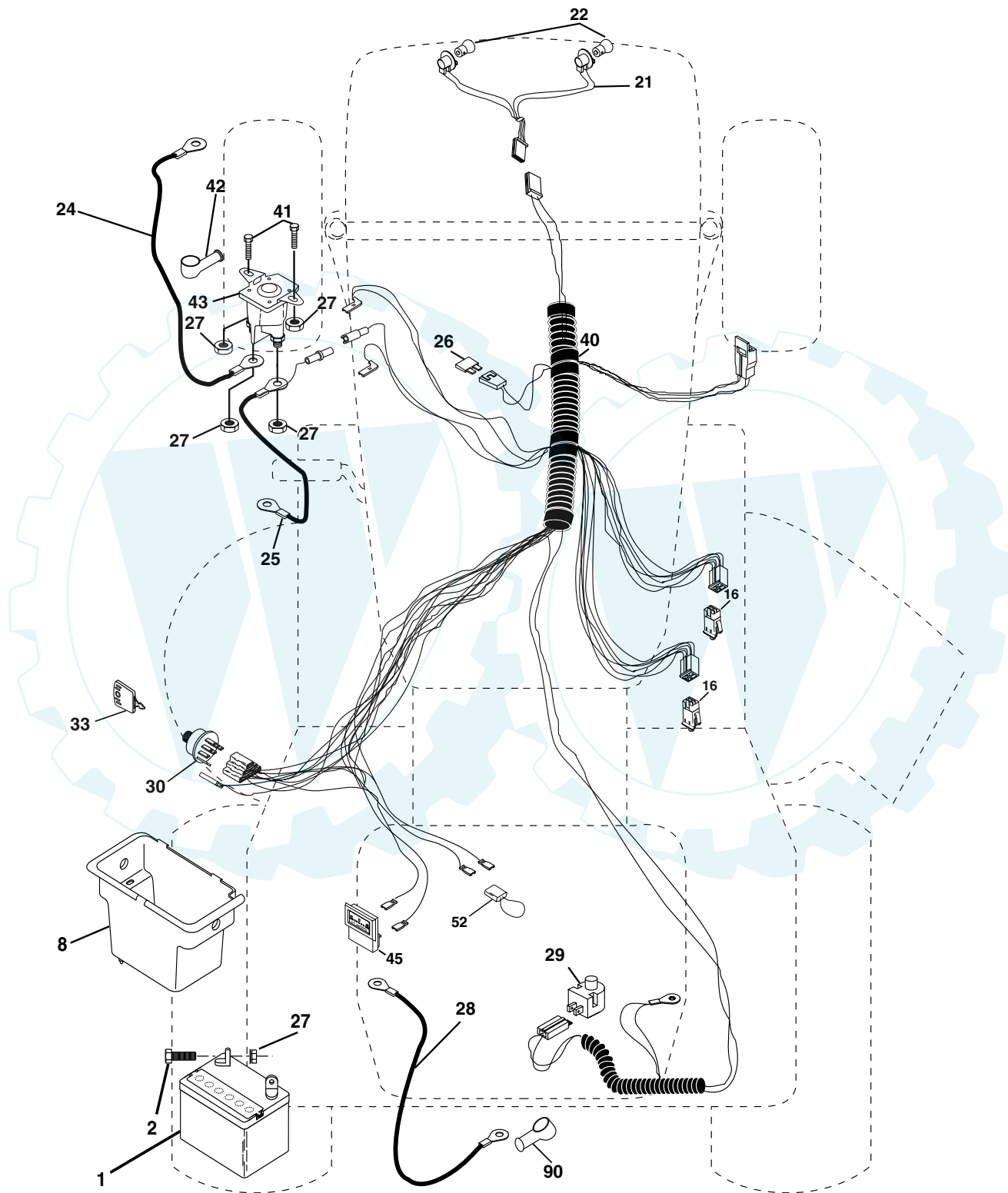


REPAIR PARTS

TRACTOR -- MODEL NUMBER SO17542STB

ELECTRICAL

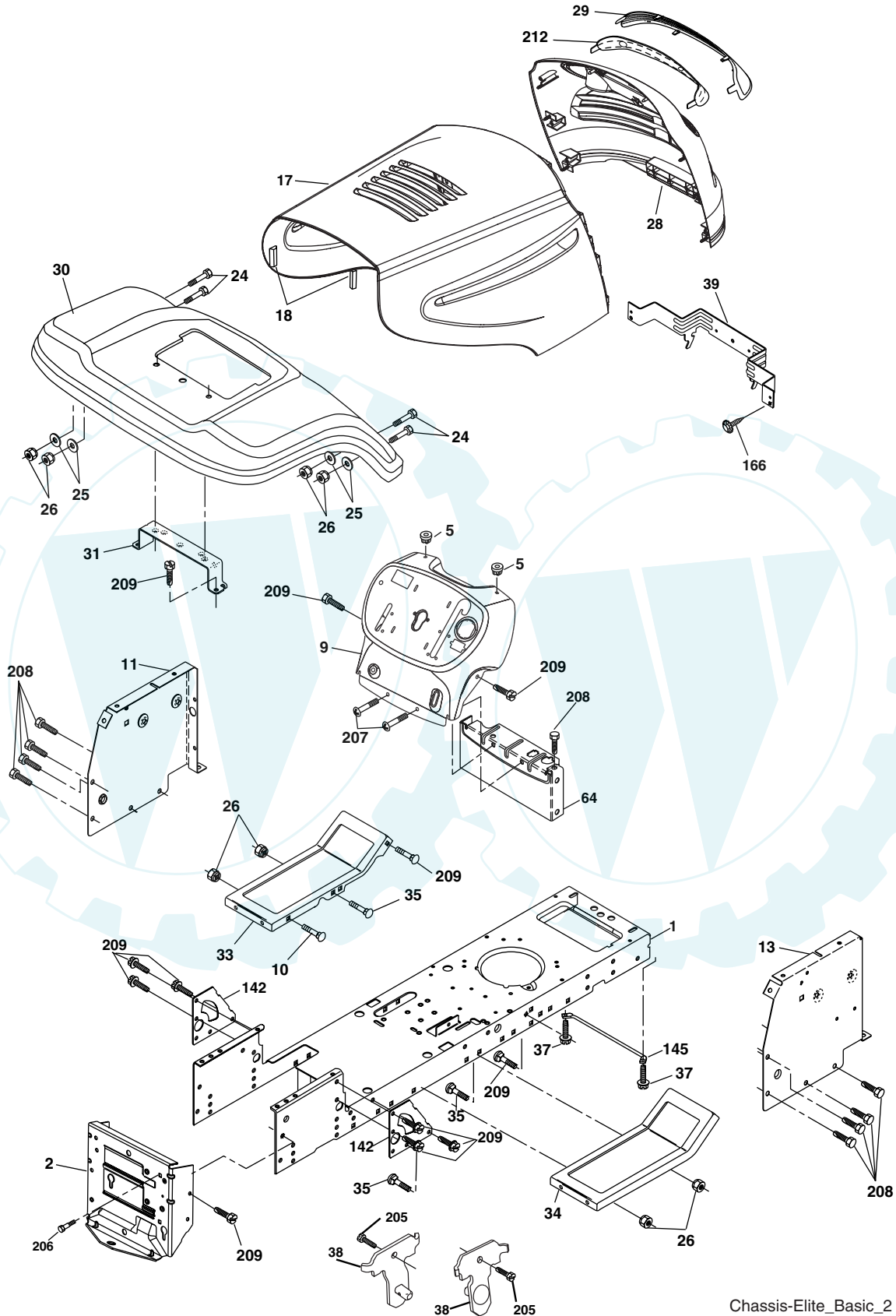


ELECTRICAL

| KEY NO. | PART NO. | DESCRIPTION |
|---------|----------|-----------------------------------|
| 1 | 163465 | Battery 12 Volt 25 Amp |
| 2 | 74760412 | Bolt Hex Hd 1/4-20 unc x 3/4 |
| 8 | 176689 | Box Battery |
| 16 | 176138 | Switch Interlock Push -In |
| 21 | 183759 | Harness Asm Light W/4152J |
| 22 | 4152J | Bulb Light #1156 |
| 24 | 4799J | Cable Battery 6 Ga. 11"red |
| 25 | 146147 | Cable Battery 6 Ga. w/16 wire,red |
| 26 | 175158 | Fuse 20 AMP |
| 27 | 73510400 | Nut Keps Hex 1/4-20 unc |
| 28 | 4207J | Cable Ground 6 Ga. 12" black |
| 29 | 121305X | Switch Plunger Nc Gray |
| 30 | 175566 | Switch Ign |
| 33 | 140401 | Key Ign |
| 40 | 179720 | Harness Ign |
| 41 | 71110408 | Bolt Blk Fin Hex 1/4-20 x 1/2 |
| 42 | 131563 | Cover Terminal Red |
| 43 | 178861 | Solenoid |
| 45 | 121433X | Ammeter |
| 52 | 141940 | Protection Wire Loop |
| 90 | 180449 | Cover Terminal |

NOTE: All component dimensions given in U. S. inches 1 inch = 25.4 mm

TRACTOR -- MODEL NUMBER SO17542STB CHASSIS AND ENCLOSURES



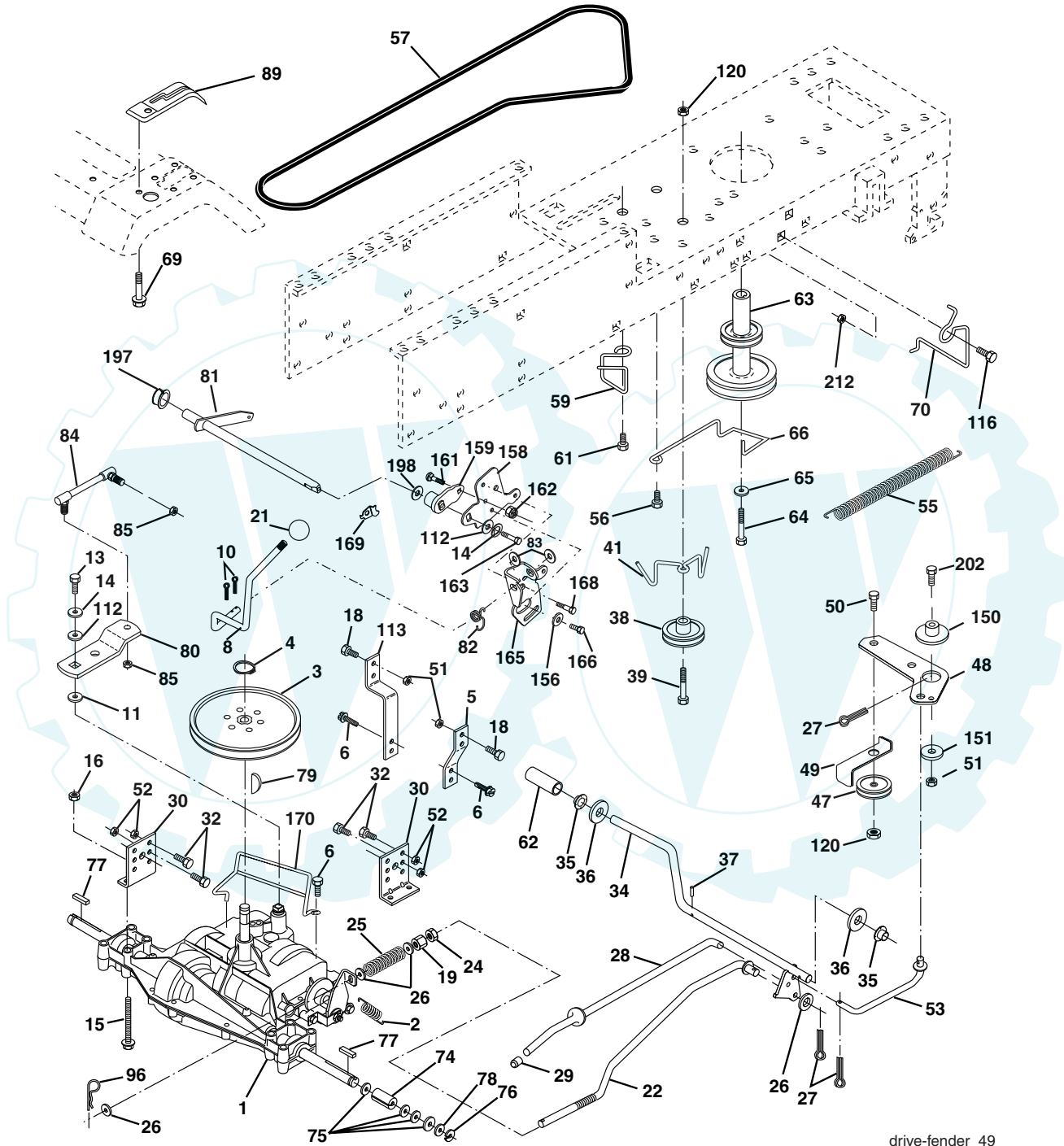
Chassis-Elite_Basic_2

**TRACTOR -- MODEL NUMBER SO17542STB
CHASSIS AND ENCLOSURES**

| KEY PART NO. | PART NO. | DESCRIPTION |
|-------------------------|---------------------|----------------------------------|
| 1 | 174619 | Chassis |
| 2 | 176554 | Drawbar |
| 5 | 155272 | Bumper Hood/Dash |
| 9 | 187846X012 | Dash |
| 10 | 72140608 | Bolt Carriage 3/8-16 x 1 |
| 11 | 174996 | Panel Dash Lh |
| 13 | 179174X010 | Panel Dash Rh |
| 17 | 183394X505 | Hood |
| 18 | 184921 | Bumper Hood |
| 24 | 74780616 | Bolt Fin Hex 3/8-16 x 1 Gr. 5 |
| 25 | 19131312 | Washer 13/32 x 13/16 x 12 Ga. |
| 26 | 73800600 | Nut Lock Hex W/Ins 3/8-16 unc |
| 28 | 183826 | Grille (Includes #'s 29 and 212) |
| 29 | 183824X599 | Lens |
| 30 | 169468X505 | Fender Footrest STLT Pnt |
| 31 | 136619 | Bracket Support Fender |
| 33 | 179716X505 | Footrest Pnt Lh |
| 34 | 179717X505 | Footrest Pnt Rh |
| 35 | 72110606 | Bolt Rdhd Sht Sqnk 3/8-16 x 3/4 |
| 37 | 17490508 | Screw Thdrol 6/16-18 x 1/2 TYT |
| 38 | 175710 | Bracket Asm. Pivot Mower Rear |
| 39 | 174714 | Bracket Pivot |
| 64 | 154798 | Dash Lower STLT |
| 142 | 175702 | Plate Reinforcement STLT |
| 145 | 156524 | Rod Pivot Chassis/Hood |
| 166 | 191611 | Screw 10 x 3/4 Single Lead Hex |
| 205 | 17490608 | Screw Thdrol 3/8-16 x 1-1/4 |
| 206 | 170165 | Bolt Shoulder 5/16-18 |
| 207 | 17670508 | Screw Thdrol 5/16-18 x 1/2 |
| 208 | 17670608 | Screw Thdrol 3/8-16 x 1/2 |
| 209 | 17000612 | Screw Hex Wsh Thdr. 3/8-16 x 3/4 |
| 212 | 183823 | Insert Lens Reflect |
| -- | 5479J | Plug Btn Blk .359 |
| -- | 187801 | Plug Dome Plastic |

NOTE: All component dimensions given in U. S.
inches 1 inch = 25.4 mm

GROUND DRIVE



drive-fender_49

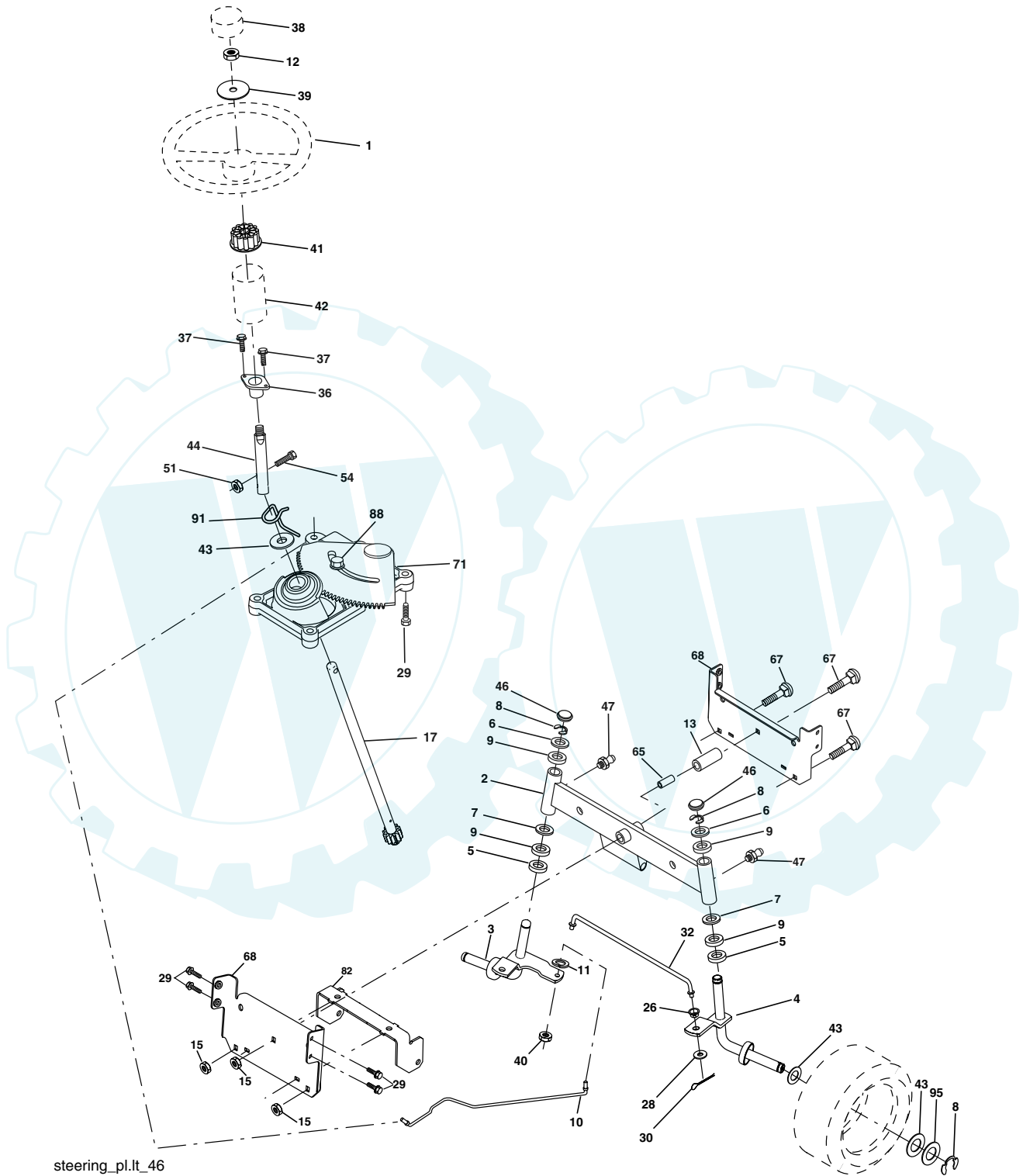
TRACTOR -- MODEL NUMBER SO17542STB

GROUND DRIVE

| KEY NO. | PART NO. | DESCRIPTION | KEY NO. | PART NO. | DESCRIPTION |
|---------|----------|--|---------|------------|------------------------------------|
| 1 | ----- | Transaxle Peerless (206-545C) (Order parts from transaxle manu facturer) | 61 | 17120614 | Screw 3/8-16 x .875 |
| 2 | 146682 | Spring Return Brake T/a Zinc | 62 | 8883R | Cover Pedal Blk Round |
| 3 | 123666X | Pulley Transaxle 18" tires | 63 | 175410 | Engine Pulley |
| 4 | 12000028 | Ring Retainer # 5100-62 | 64 | 173937 | Bolt Hex |
| 5 | 121520X | Strap Torque 30 Degrees | 65 | 10040700 | Washer Lock Hvy Hlcl Spr 7/16 |
| 6 | 17000512 | Screw 5/16-18 x 3/4 | 66 | 154778 | Keeper Belt Engine Foolproof |
| 8 | 165619 | Rod Shift Fender Adjust Lt | 69 | 142432 | Screw Hex wsh HiLo 1/4 x 1/2 unc |
| 10 | 76020416 | Pin Cotter 1/8 x 1 Cad | 70 | 134683 | Guide Belt Mower Drive RH |
| 11 | 105701X | Washer Plate Shf 388 Sq Hole | 74 | 137057 | Spacer Axle |
| 13 | 74550412 | Bolt 1/4-28 Unf Gr. 8 W/Patch | 75 | 121749X | Washer 25/32 x 1 1/4 x 16 Ga. |
| 14 | 10040400 | Washer Lock Hvy Helical | 76 | 12000001 | E-ring #5133-75 |
| 15 | 74490544 | Bolt Hex FLGHD 5/16-18 Gr. 5 | 77 | 123583X | Key Square 2 0 x 1845/ 1865 |
| 16 | 73800500 | Nut Lock Hex w/ins 5/16-18 | 78 | 121748X | Washer 25/32 x 1-5/8 x 16 Ga. |
| 18 | 74780616 | Bolt, Fin Hex 3/8-16 unc x 1 Gr. 5 | 79 | 2228M | Key Woodruff #9 3/16 x 3/4 |
| 19 | 73800600 | Nut Lock 3/8-16 Unc | 80 | 131486 | Arm Shift |
| 21 | 106933X | Knob | 81 | 165594 | Shaft Asm Cross Tapered PMST/20 |
| 22 | 130804 | Rod Brake Blk Zinc 26 840 | 82 | 123782X | Spring Torsion T/a |
| 24 | 73350600 | Nut Hex Jam 3/8-16 unc | 83 | 19171216 | Washer 17/32 x 3/4 x 16 Ga. |
| 25 | 106888X | Spring Rod Brake 2 00 Zinc | 84 | 166228 | Link Transaxle PMST/18" Zinc |
| 26 | 19131316 | Washer 13/32 x 13/16 x 16 Ga. | 85 | 150360 | Nut Lock Center 1/4 - 28 FNTHD |
| 27 | 76020412 | Pin Cotter 1/8 x 3/4 Cad | 89 | 169372X428 | Console Shift STLT |
| 28 | 175765 | Rod Brake Parking LT/YT | 96 | 4497H | Retainer Spring 1" |
| 29 | 71673 | Cap Brake Parking | 112 | 19091210 | Washer 9/32 x 3/4 x 10 Ga. |
| 30 | 174973 | Bracket Mtg Transaxle | 113 | 127285X | Strap Torque LT |
| 32 | 74760512 | Bolt Hex Hd 5/16-18 unc x 3/4 | 116 | 72140608 | Bolt Rdhd Sq Neck 3/8-16 x 1 |
| 34 | 175578 | Shaft Asm Pedal Foot | 120 | 73900600 | Nut Lock Flg. 3/8-16 unc |
| 35 | 120183X | Bearing Nylon Blk 629 Id | 150 | 175456 | Spacer Retainer |
| 36 | 19211616 | Washer 21/32 x 1 x 16 Ga. | 151 | 19133210 | Washer 13/32 x 2 x 10 |
| 37 | 1572H | Pin Roll 3/16 x 1" | 156 | 166002 | Washer Srrted 5/16ID x 1.125 |
| 38 | 179114 | Pulley Composite Flat | 158 | 165589 | Bracket Shift Mount |
| 39 | 72110622 | Bolt RDHD 3/8-16 unc x 2-3/4 Gr. 5 | 159 | 183900 | Hub Tapered Flange Shift Lt |
| 41 | 175556 | Keeper Belt Flat Idler | 161 | 72140406 | Bolt Rdhd Sqnk 1/4-20 x 3/4 |
| 47 | 127783 | Pulley Idler V Groove Plastic | 162 | 73680400 | Nut Crownlock 1/4-20 unc |
| 48 | 154407 | Bellcrank Asm | 163 | 74780416 | Bolt Hex Fin 1/4-20 unc x 1 Gr. 5 |
| 49 | 123205X | Retainer Belt Style Spring | 165 | 165623 | Bracket Pivot Lever |
| 50 | 72110612 | Bolt Carr. Sh. 3/8-16 x 1-1/2 Gr. 5 | 166 | 17490510 | Screw 5/16-18 x 5/8 |
| 51 | 73680600 | Nut Crownlock 3/8-16 unc | 168 | 165492 | Bolt Shoulder 5/16-18 x .561 |
| 52 | 73680500 | Nut Crownlock 5/16-18 unc | 169 | 165580 | Plate Fastening |
| 53 | 105710X | Link Clutch | 170 | 187414 | Keeper Belt Transaxle Gear |
| 55 | 105709X | Spring Return Clutch 6 75 | 197 | 169613 | Nyliner Snap-In |
| 56 | 17060620 | Screw 3/8-16 x 1-1/4 | 198 | 169593 | Washer Nyliner |
| 57 | 130801 | V-Belt Ground Drive 95 25 | 202 | 72110614 | Bolt RdHd 3/8-16 unc x 1-3/4 Gr. 5 |
| 59 | 169691 | Keeper Belt Span Ctr | 212 | 145212 | Nut Hexflange Lock |

NOTE: All component dimensions given in U. S.
inches 1 inch = 25.4 mm

STEERING



steering_pl.it_46

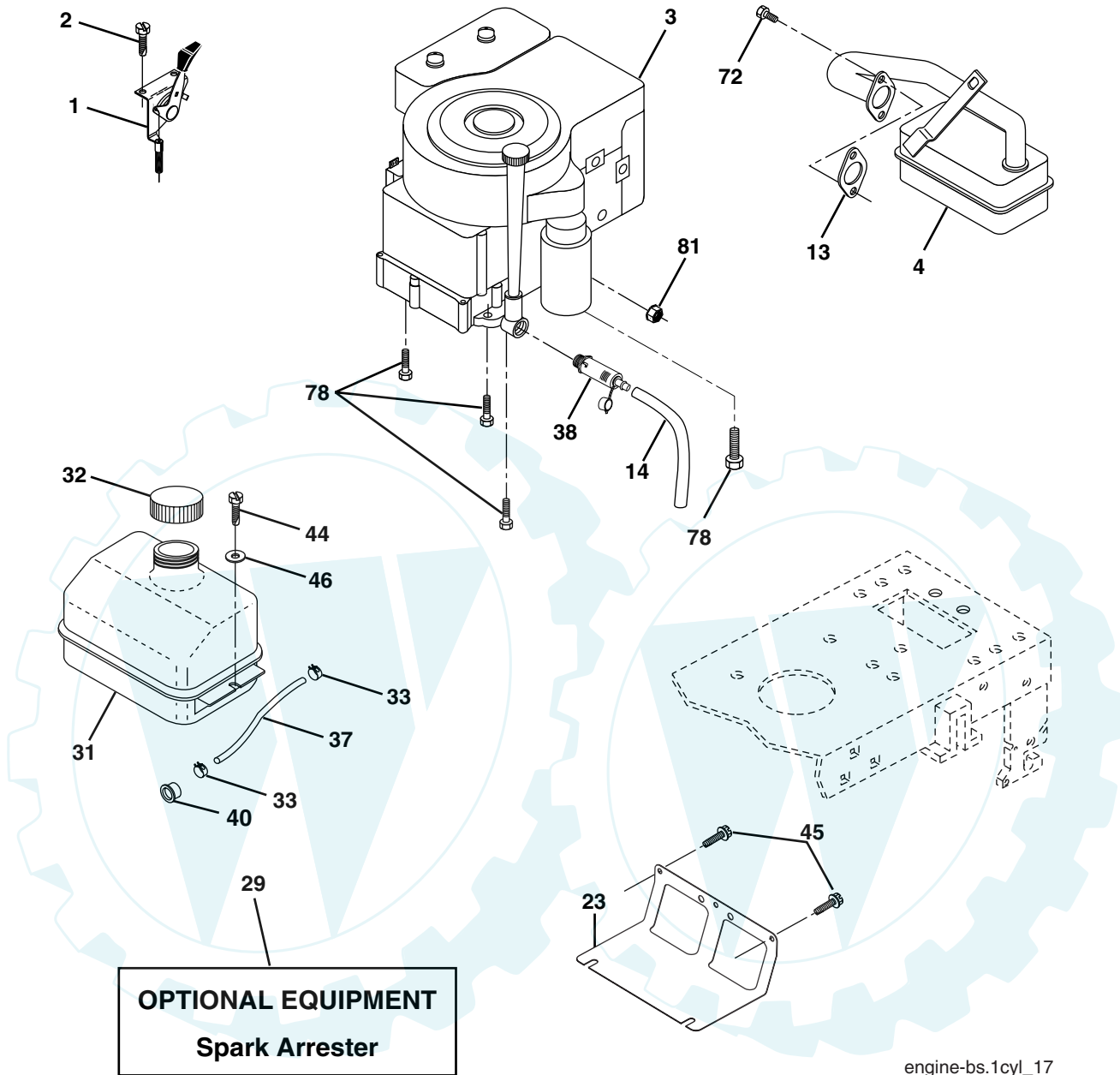
STEERING

| KEY NO. | PART NO. | DESCRIPTION |
|----------------|-----------------|-----------------------------------|
| 1 | 140044X428 | Wheel Steering Auto Black |
| 2 | 175131 | Axle Asm Front |
| 3 | 169840 | Spindle Asm Lh |
| 4 | 169839 | Spindle Asm Rh |
| 5 | 6266H | Bearing Race Thrust Harden |
| 6 | 121748X | Washer 25/32 x 1 5/8 x 16 Ga. |
| 7 | 19272016 | Washer 27/32 x 1 1/4 x 16 Ga. |
| 8 | 12000029 | Ring Klip #t5304-75 |
| 9 | 3366R | Bearing Col Strg Blk |
| 10 | 175121 | Link Drag Extended |
| 11 | 10040600 | Lockwasher |
| 12 | 73940800 | Nut Hex Jam Toplock 1/2-20 unf |
| 13 | 136518 | Spacer Bearing Axle Front |
| 15 | 145212 | Hex Flange Lock |
| 17 | 180641 | Shaft Asm Strg |
| 26 | 126847X | Bushing Rod Tie Blk Lt |
| 28 | 19131416 | Washer 13/32 x 7/8 x 16 Ga. |
| 29 | 17000612 | Screw 3/8-16 x 3/4 |
| 30 | 76020412 | Pin |
| 32 | 130465 | Rod Tie Wire Form 19 75 Mech |
| 36 | 155099 | Bushing Strg 5/8 Id Dash |
| 37 | 152927 | Screw TT #10-32 x 5 x 3/8 Flange |
| 38 | 140045X428 | Insert Cap Strg |
| 39 | 19183812 | Washer 9/16 ID x 2-3/8 OD 12 Gr. |
| 40 | 73540600 | Nut Crownlock |
| 41 | 186737 | Adaptor Wheel Strg .760 |
| 42 | 145054X428 | Boot Dash Steering |
| 43 | 121749X | Washer 25/32 x 1 1/4 x 16 Ga. |
| 44 | 180640 | Extension Steering |
| 46 | 121232X | Cap Spindle Fr Top Blk |
| 47 | 183226 | Fitting Grease |
| 51 | 73540400 | Nut Crownlock 1/4-28 |
| 54 | 71130420 | Bolt Hex 1/4-28 unf x 1-1/4 Gr. 8 |
| 65 | 160367 | Spacer Brace Axle |
| 67 | 72110618 | Bolt Rdhd Sq 3/8-16 unc x 2-1/4 |
| 68 | 169827 | Brace Axle |
| 71 | 175146 | Steering Asm |
| 82 | 169835 | Bracket Susp Chassis Front |
| 88 | 175118 | Bolt Shoulder 7/16-20 |
| 91 | 175553 | Clip Steering |
| 95 | 188967 | Washer Hardened |

NOTE: All component dimensions given in U. S. inches
1 inch = 25.4 mm

TRACTOR -- MODEL NUMBER SO17542STB

ENGINE



OPTIONAL EQUIPMENT
Spark Arrester

engine-bs.1cyl_17

| KEY NO. | PART NO. | DESCRIPTION |
|---------|----------|---|
| 1 | 170551 | Control Throttle /Choke Flag |
| 2 | 17720408 | Screw Hex Thd Cut 1/4-20 x 1/2 |
| 3 | ----- | Engine Briggs Model 31C707 (Order Parts From Engine Manufacturer) |
| 4 | 137352 | Muffler Exhaust B&S Lt |
| 13 | 165291 | Gasket 1 313 Id Tin Plated |
| 14 | 148456 | Tube Drain Oil Easy |
| 23 | 169837 | Shield Browning/Debris Guard |
| 29 | 137180 | Arrestor Spark |
| 31 | 184900 | Tank Fuel 1 25 Fr |
| 32 | 140527 | Cap Asm Fuel W/sym Vented |
| 33 | 123487X | Clamp Hose Blk |
| 37 | 137040 | Line Fuel 20" |
| 38 | 181654 | Plug Drain Oil Easy |
| 40 | 124028X | Bushing Snap Nyl Blk Fuel Line |

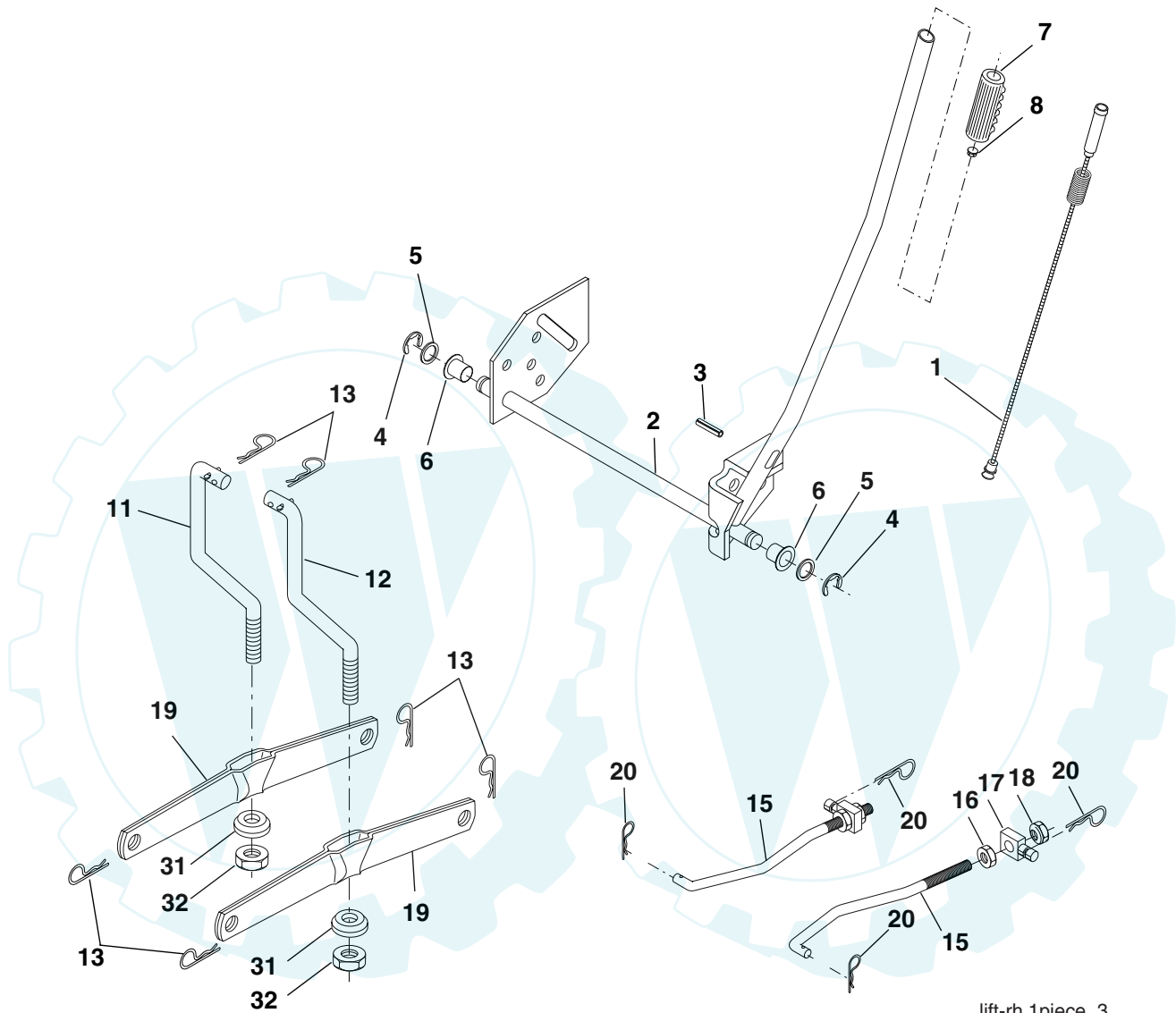
| KEY NO. | PART NO. | DESCRIPTION |
|---------|----------|----------------------------------|
| 44 | 17670412 | Screw Hexwsh Thdrol 1/4-20 x 3/4 |
| 45 | 17000612 | Screw Hex Wsh Thdrol 3/8-16 |
| 46 | 19091416 | Washer 9/32 x 7/8 x 16 Ga. |
| 72 | 183906 | Screw Socket Head 5/16-18 x 1 |
| 78 | 17060620 | Screw Thdrol 3/8-16 x 1-1/4 |
| 81 | 73510400 | Nut Keps Hex 1/4-20 unc |

NOTE: All component dimensions given in U.S. inches
1 inch = 25.4 mm

For engine service and replacement parts, call the toll free number for your engine manufacturer listed below:

| | |
|-------------------|----------------|
| Briggs & Stratton | 1-800-233-3723 |
| Kohler Co. | 1-800-544-2444 |
| Tecumseh Products | 1-800-558-5402 |
| Honda Engines | 1-800-426-7701 |
| Kawasaki | 1-949-460-5688 |

LIFT ASSEMBLY



lift-rh.1piece_3

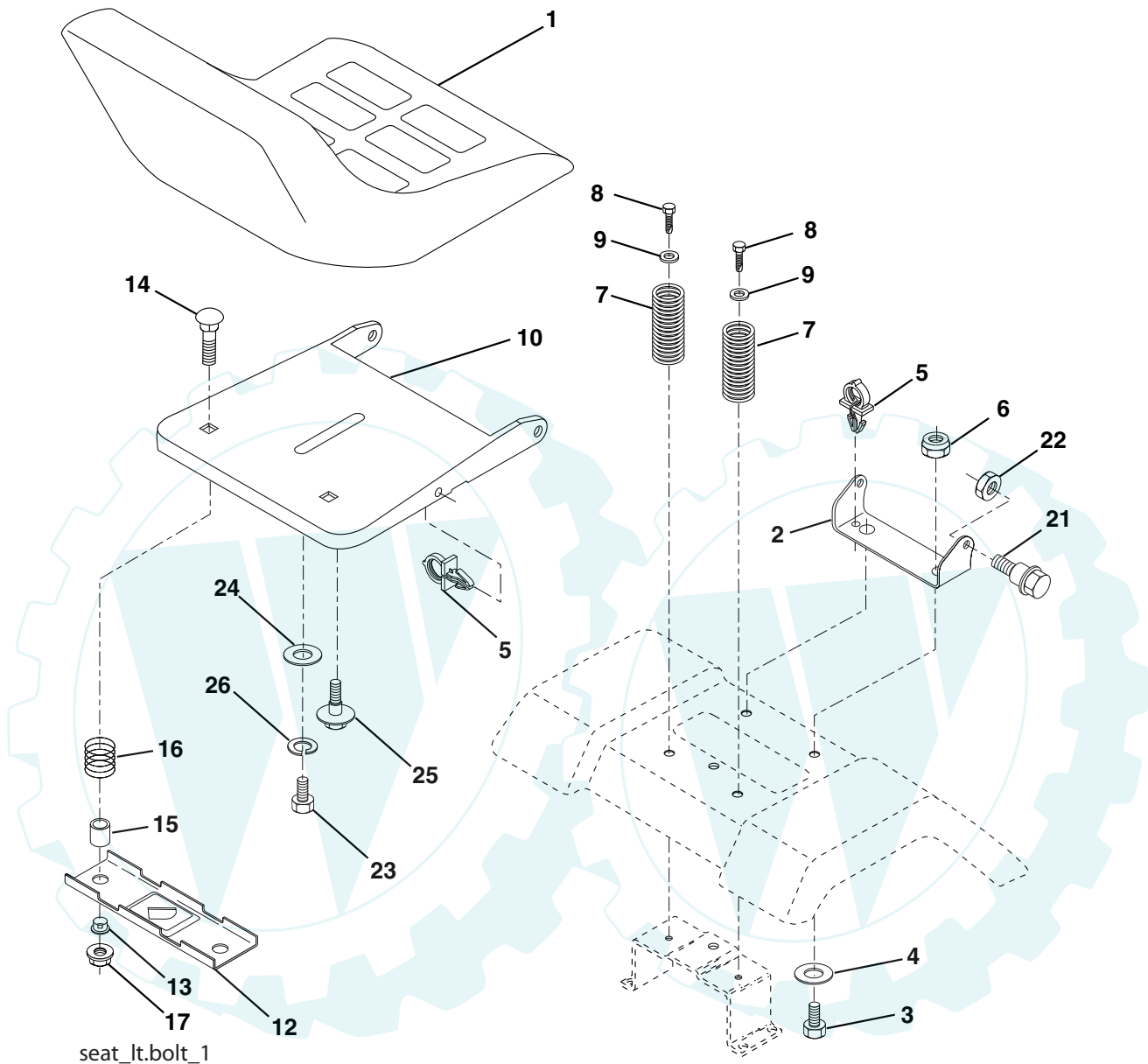
| KEY PART NO. | PART NO. | DESCRIPTION |
|--------------|---------------|-------------------------------|
| 1 | 159461 | Wire Asm Inner/Sprg w/Plunger |
| 2 | 159476 | Shaft Asm Lift |
| 3 | 188822 | Pin Groove |
| 4 | 12000002 | E Ring #5133-62 |
| 5 | 19211621 | Washer 21/32 x 1 x 21 Ga. |
| 6 | 120183X | Bearing Nylon |
| 7 | 109413X | Grip Handle |
| 8 | 124526X | Button Plunger |
| 11 | 139865 | Link Lift Lh |
| 12 | 139866 | Link Lift Rh |
| 13 | 4939M | Retainer Spring |

| KEY PART NO. | PART NO. | DESCRIPTION |
|--------------|----------|---------------------------|
| 15 | 173288 | Link Front |
| 16 | 73350800 | Nut Jam Hex 1/2-13 unc |
| 17 | 175689 | Trunnion Blk Zinc |
| 18 | 73800800 | Nut Lock w/Wsh 1/2-13 unc |
| 19 | 139868 | Arm Suspension Rear |
| 20 | 163552 | Retainer Spring |
| 31 | 169865 | Bearing Pvt Lift |
| 32 | 73540600 | Nut Crownlock 3/8-24 |

NOTE: All component dimensions given in U. S. inches 1 inch = 25.4 mm

TRACTOR -- MODEL NUMBER SO17542STB

SEAT ASSEMBLY



seat_lt.bolt_1

KEY PART NO. NO.

DESCRIPTION

| | | |
|----|----------|--------------------------------|
| 1 | 175389 | Seat |
| 2 | 140551 | Bracket Pnt Pivot Seat (blk) |
| 3 | 188978 | Bolt |
| 4 | 189116 | Washer 13/32 x 1 x 10 Ga. |
| 5 | 184774 | Clip Push-In Hinged |
| 6 | 73800600 | Nut |
| 7 | 124181X | Spring Seat Cprsn 2 250 Blk Zi |
| 8 | 17000616 | Screw 3/8-16 x 1.5 |
| 9 | 19131614 | Washer 13/32 x 1 x 14 Ga. |
| 10 | 182493 | Pan Pnt Seat (blk) |
| 12 | 121246X | Bracket Pnt Mounting Switch |
| 13 | 121248X | Bushing Snap Blk Nyl 50 Id |

KEY PART NO. NO.

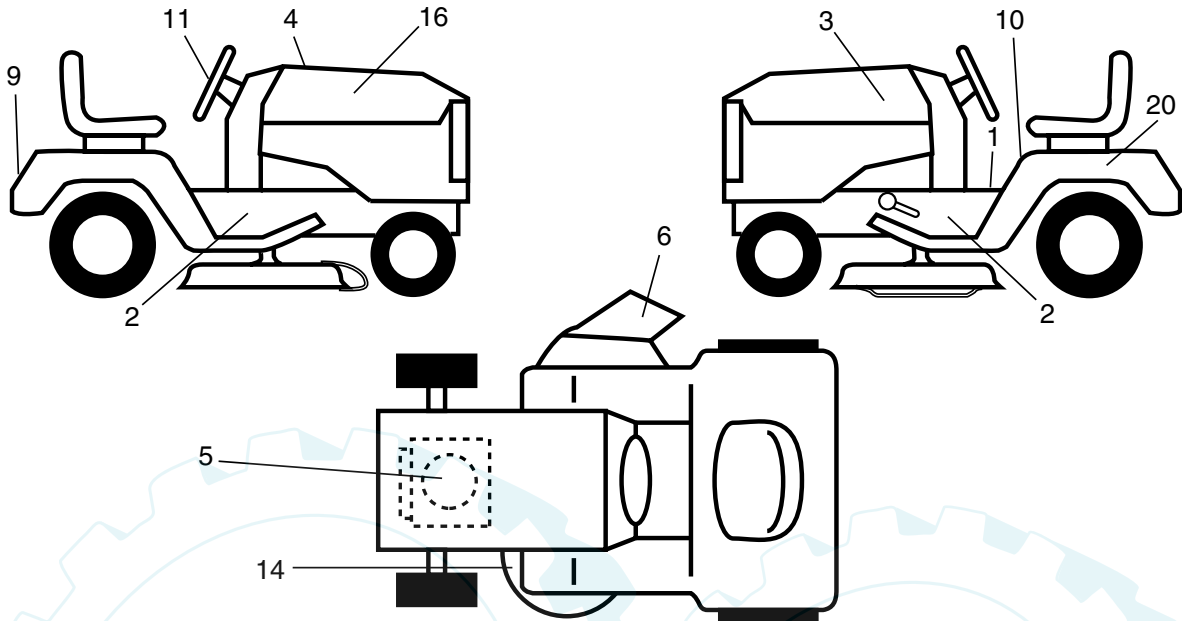
DESCRIPTION

| | | |
|----|----------|-----------------------------------|
| 14 | 72050412 | Bolt Rdhd Sht Nk 1/4-20 x 1-1/2 |
| 15 | 134300 | Spacer Split 28 x 96 Yel Zinc |
| 16 | 121250X | Spring Cprsn 1 27 Blk Pnt |
| 17 | 123976X | Nut Lock 1/4 Lge Flg Gr. 5 Zinc |
| 21 | 171852 | Bolt Shoulder 5/16-18 unc Blkz-2A |
| 22 | 73800500 | Nut |
| 23 | 71110814 | Bolt Hex Black |
| 24 | 19171912 | Washer 17/32 x 1-3/16 x 12 Ga. |
| 25 | 127018X | Bolt Shoulder 5/16-18 x 62 |
| 26 | 10040800 | Lockwasher |

NOTE: All component dimensions given in U. S. inches 1 inch = 25.4 mm

TRACTOR -- MODEL NUMBER SO17542STB

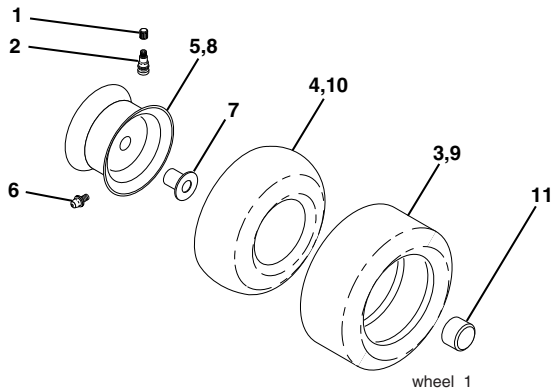
DECALS



| KEY NO. | PART NO. | DESCRIPTION |
|---------|----------|-------------------------|
| 1 | 156368 | Decal Oper |
| 2 | 190535 | Decal Chassis |
| 3 | 190428 | Decal Hood LH |
| 4 | 189116 | Decal Replace |
| 5 | 184774 | Decal HP Engine |
| 6 | 179128 | Decal Deck "B" 42" |
| 9 | 190429 | Decal Fender Logo |
| 10 | 157141 | Decal Fender Danger E/F |

| KEY NO. | PART NO. | DESCRIPTION |
|---------|----------|--------------------------------|
| 11 | 190431 | Decal Ins Strg Whl |
| 14 | 160396 | Decal V-Belt Schematic |
| 16 | 190427 | Decal Hood Rh |
| 20 | 145005 | Decal Bat Dan/Psn |
| -- | 138311 | Decal Handle Lft Height Adjust |
| -- | 191780 | Manual Owner's (English) |
| -- | 191781 | Manual Owner's (Spanish) |

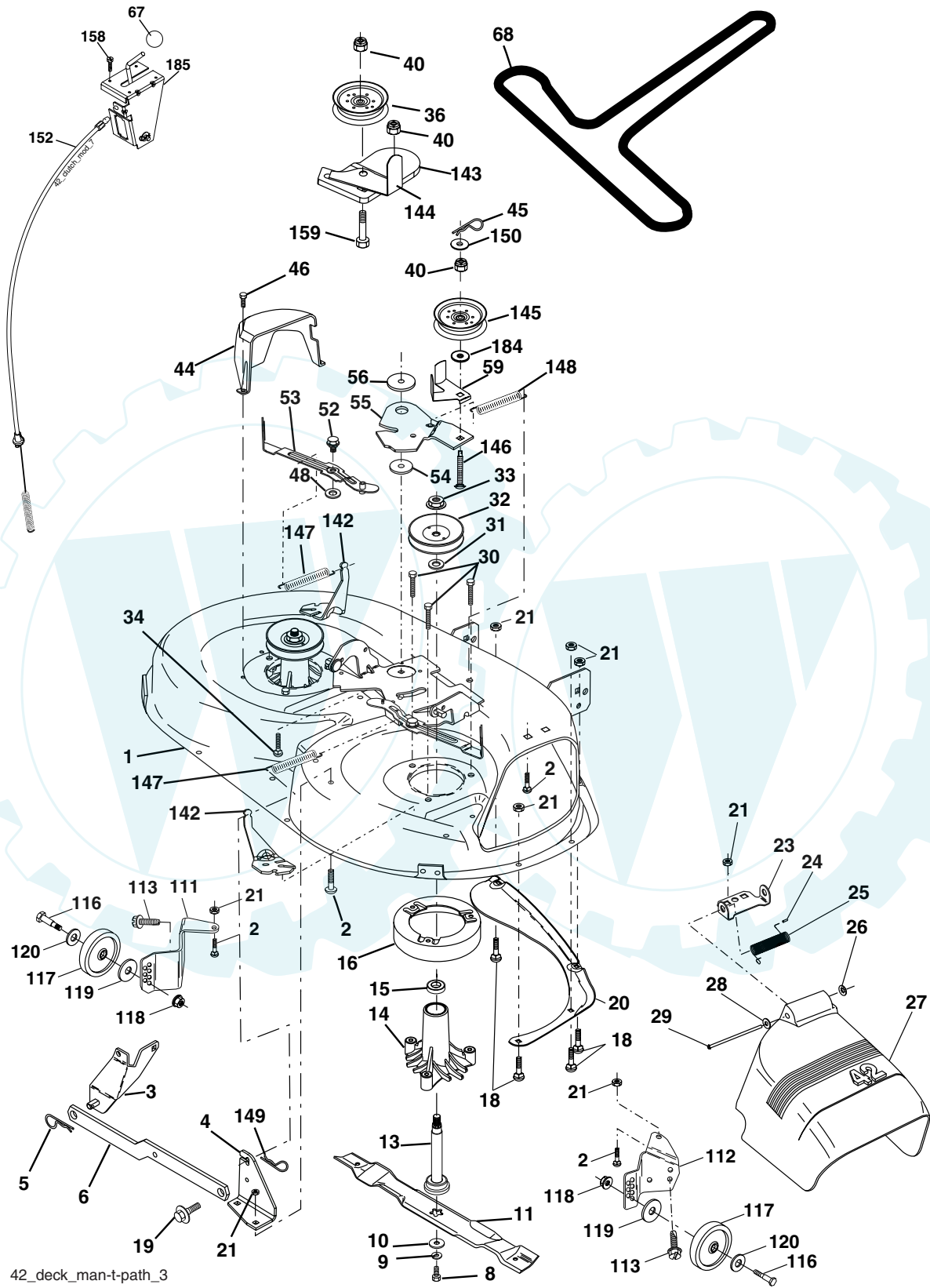
WHEELS AND TIRES



| KEY NO. | PART NO. | DESCRIPTION |
|---------|------------|-----------------------------------|
| 1 | 59192 | Cap Valve Tire |
| 2 | 65139 | Stem Valve |
| 3 | 106222X | Tire F Ts 15 x 6 0 - 6 Service |
| 4 | 59904 | Tube Front (Service Item Only) |
| 5 | 106732X624 | Rim Asm 6" front Service |
| 6 | 278H | Fitting Grease (Front Wheel Only) |
| 7 | 9040H | Bearing Flange (Front Wheel Only) |
| 8 | 106108X624 | Rim Asm 8" rear Service |
| 9 | 106268X | Tire R Ts 18 x 9.5-8 Service |
| 10 | 7152J | Tube Rear (Service Item Only) |
| 11 | 104757X428 | Cap Axle 1 50 x 1 00 |
| -- | 144334 | Sealant, Tire (10 oz. Tube) |

NOTE: All component dimensions given in U. S. inches 1 inch = 25.4 mm

MOWER DECK



TRACTOR -- MODEL NUMBER SO17542STB

MOWER DECK

| KEY NO. | PART NO. | DESCRIPTION | KEY NO. | PART NO. | DESCRIPTION |
|---------|------------|--|---------|----------|--|
| 1 | 165892 | Mower Deck Assembly, 42" | 46 | 137729 | Screw, Thdrol 1/4-20 x 5/8 T |
| 2 | 72140506 | Bolt | 48 | 133944 | Washer, Hardened |
| 3 | 138017 | Bracket Asm Fr. Sway Bar 3/42 | 52 | 139888 | Bolt, Shoulder 5/16-18 unc |
| 4 | 165460 | Bracket Asm Deck 42" Sway Bar | 53 | 184907 | Arm Assembly, Pad, Brake |
| 5 | 4939M | Retainer Spring | 54 | 178515 | Washer, Hardened |
| 6 | 178024 | Bar Sway Deck | 55 | 155046 | Arm, Idler |
| 8 | 850857 | Bolt 3/8-24 x 25 Gr. 8 patched | 56 | 165723 | Spacer, Retainer |
| 9 | 10030600 | Washer, Lock | 59 | 141043 | Guard TUV Idler |
| 10 | 140296 | Washer, Hardened (The following blades are available) | 67 | 106932X | Knob |
| 11 | 134149 | Blade, 42" Mulching Std (For mulching mowers only) | 68 | 144959 | V-Belt, 42" Mower |
| -- | 139775 | Blade, 42" Mulching Premium (For better wear when mulching) | 111 | 179292 | Bracket Wheel Guage LH |
| -- | 138971 | Blade, 42" Hi-Lift (For bagging or discharging) | 112 | 179293 | Bracket Wheel Gauge RH |
| 13 | 137645 | Shaft Assembly, Mandrel, Vented | 113 | 72140506 | Bolt Rdhd Sqnk 5/16-18 unc x 3/4 |
| 14 | 128774 | Housing, Mandrel, Vented | 116 | 4898H | Bolt Shoulder |
| 15 | 110485X | Bearing, Ball, Mandrel | 117 | 105455X | Wheel Guage |
| 16 | 174493 | Stripper, Mandrel Deck | 118 | 73930600 | Nut Centerlock 3/8-16 unc |
| 18 | 72140505 | Bolt, Carriage 5/16-18 x 5/8 | 119 | 19171512 | Washer 17/32 x 15/16 x 12 Ga. |
| 19 | 132827 | Bolt, Shoulder | 120 | 19121414 | Washer 3/8 x 7/8 x 14 Ga. |
| 20 | 159770 | Baffle, Vortex | 142 | 165890 | Arm Spring Brake Mower |
| 21 | 73680500 | Nut | 143 | 157109 | Bracket Arm Idler 42" |
| 23 | 177563 | Bracket, Deflector Mower 42" | 144 | 158634 | Keeper Belt 42" Clutch Cable |
| 24 | 105304X | Cap, Sleeve 80 x 112 Blk Mower | 145 | 165888 | Pulley Idler Flat |
| 25 | 123713X | Spring, Torsion, Deflector 2 52 | 146 | 171977 | Bolt Carriage Idler |
| 26 | 110452X | Nut, Push Phos & Oil | 147 | 131335 | Spring Extension |
| 27 | 130968X428 | Shield, Deflector 42" Blk | 148 | 169022 | Spring Return Idler |
| 28 | 19111016 | Washer 11/32 x 5/8 x 16 Ga. | 149 | 165898 | Retainer Spring Yellow |
| 29 | 131491 | Rod, Hinge 42" 6 75 W/G | 150 | 19091210 | Washer 9/32 x 3/4 x 10 Ga. |
| 30 | 173984 | Screw Thdrol Washer Head | 152 | 169676 | Clutch Cable 42" |
| 31 | 187690 | Washer, Spacer Mower Vented | 158 | 17720408 | Screw Hex Thd Cut 1/4-20 x 1/2 |
| 32 | 153535 | Pulley, Mandrel | 159 | 72140614 | Bolt Rdhd Sqn 3/8-16 unc x 1-3/4 |
| 33 | 178342 | Nut, Toplock 9/16 Flange | 184 | 19131410 | Washer 13/32 x 7/8 x 10 Ga. |
| 34 | 72110612 | Bolt | 185 | 188234 | Head Asm Cable Clutch |
| 36 | 131494 | Pulley, Idler, Flat | -- | 130794 | Mandrel Assembly (Includes Housing, Shaft and Shaft Hard ware Only-Pulley Not Included) |
| 37 | 19131316 | Washer 13/32 x 13/16 x 16 Ga. | -- | 171491 | Replacement Mower, Complete (Std. Deck-Order separately gauge wheel components key nos. 116 - 119) |
| 40 | 73900600 | Nut | | | |
| 44 | 140088 | Guard, Mandrel, LH | | | |
| 45 | 4497H | Retainer | | | |

NOTE: All component dimensions given in U. S. inches 1 inch = 25.4 mm