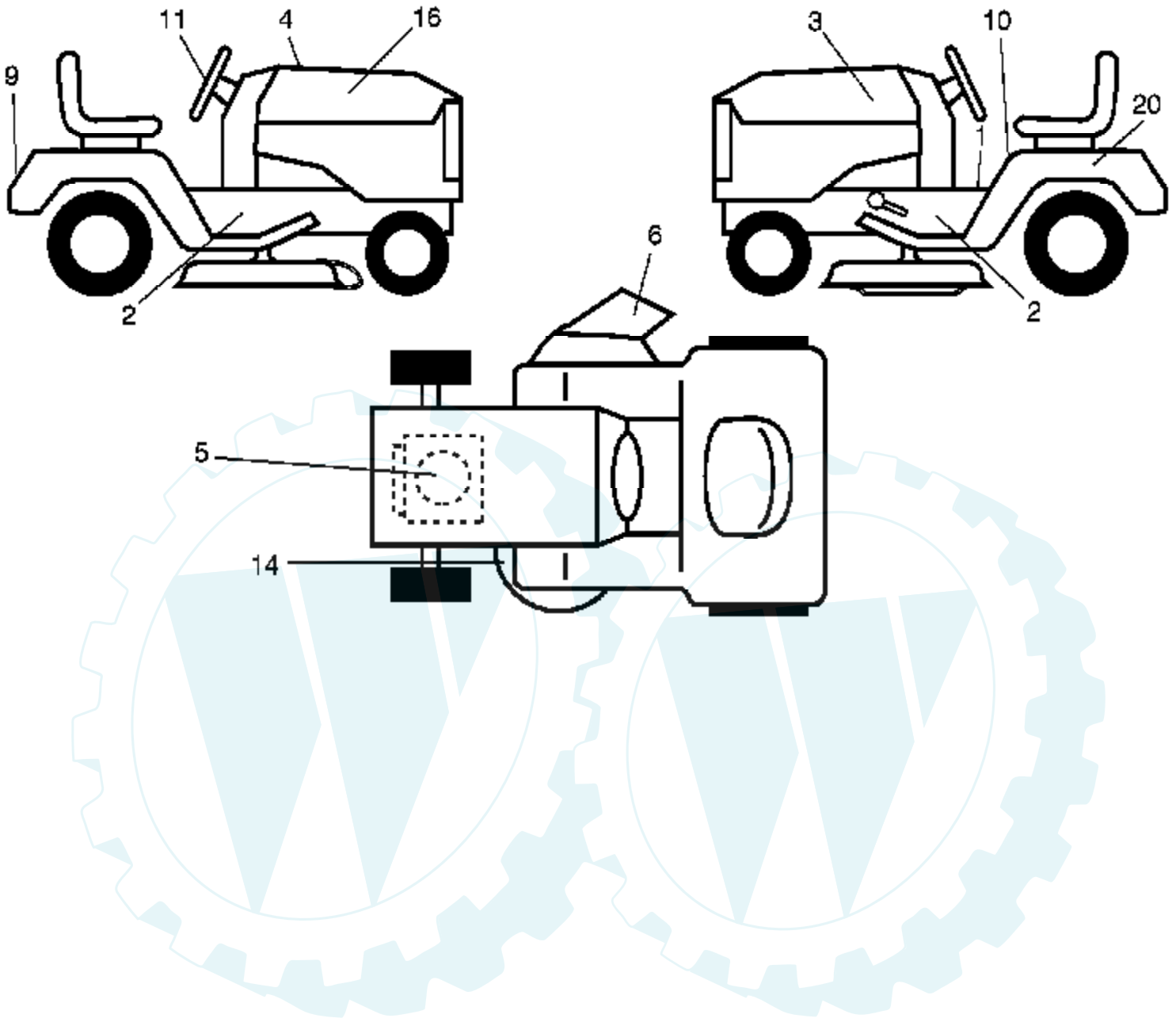
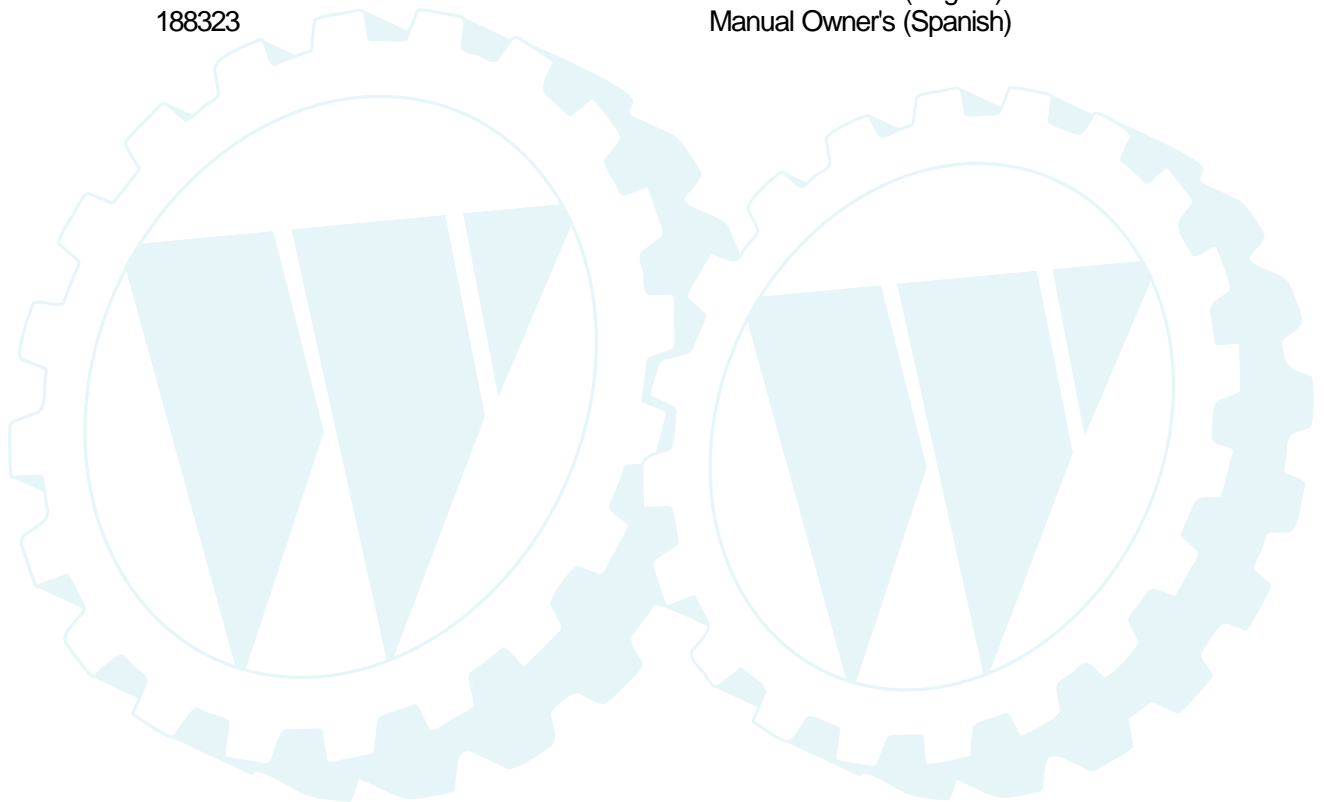


Ref #	Part Number	Qty	Description
1	174619		Chassis
2	176554		Drawbar
5	155272		Bumper Hood/Dash
9	168337X012		Dash
10	72140608		Bolt Carriage 3/8-16 x 1
11	174996		Panel Dash Lh
13	179174X010		Panel Dash Rh
17	183394X505		Hood
18	126938X		Bumper Hood
24	74780616		Bolt Fin Hex 3/8-16 x 1 Gr. 5
25	19131312		Washer 13/32 x 13/16 x 12 Ga.
26	73800600		Nut Lock Hex W/Ins 3/8-16 unc
28	183826		Grille (Includes #'s 29 and 212)
29	183824X599		Lens
30	169468X505		Fender
31	136619		Bracket Support Fender
33	179716X505		Footrest Pnt Lh
34	179717X505		Footrest Pnt Rh
35	72110606		Bolt Rdhd Sht Sqnk 3/8-16 x 3/4
37	17490508		Screw Thdrol 6/16-18 x 1/2 TYT
38	175710		Bracket Asm. Pivot Mower Rear
39	174714		Bracket Pivot
64	154798		Dash Lower STLT
142	175702		Plate Reinforcement STLT
145	156524		Rod Pivot Chassis/Hood
166	171875		Screw HWHD Hi-Lo #13-16 x 5/8
205	17490608		Screw Thdrol 3/8-16 x 1-1/4
206	170165		Bolt Shoulder 5/16-18
207	17670508		Screw Thdrol 5/16-18 x 1/2
208	17670608		Screw Thdrol 3/8-16 x 1/2
209	17000612		Screw Hex Wsh Thdr. 3/8-16 x 3/4
212	183823		Insert Lens Reflect
	5479J		Plug Btn Blk .359

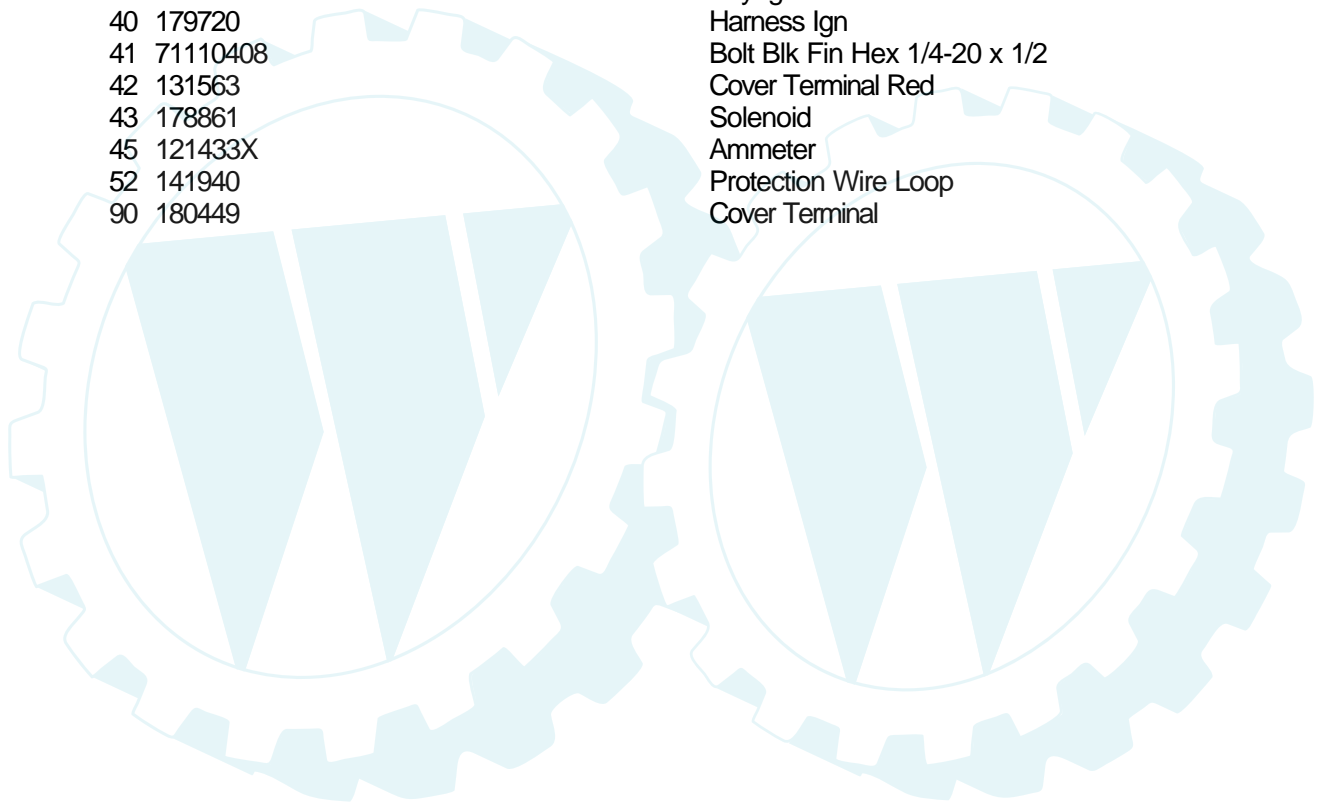


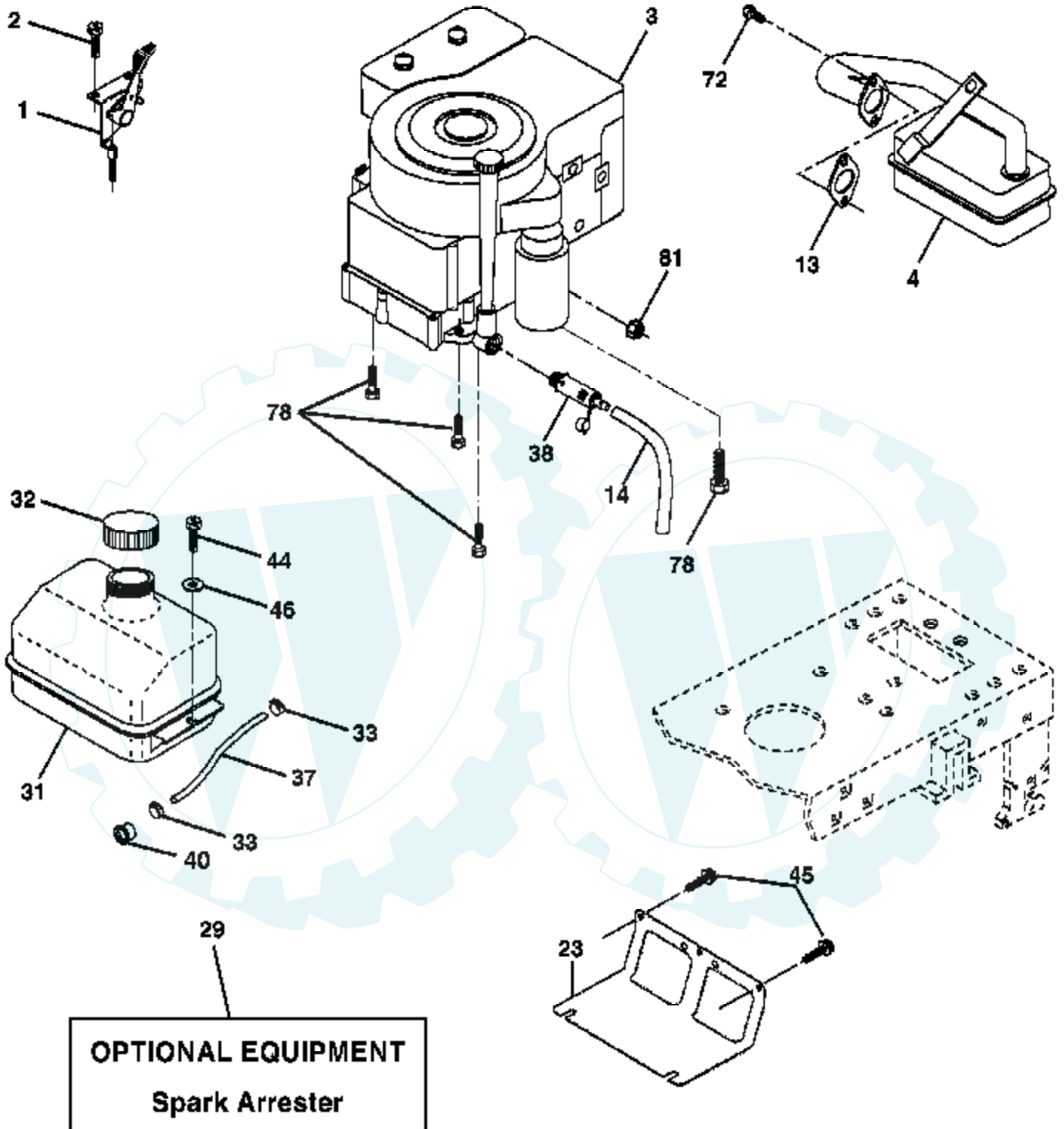
Ref #	Part Number	Qty	Description
1	156368		Decal Oper
2	190535		Decal Chassis
3	190428		Decal Hood LH
4	189116		Decal Replace
5	184774		Decal HP Engine
6	179128		Decal Deck "B" 42"
9	190429		Decal Fender Logo
10	157141		Decal Fender Danger E/F
11	190431		Decal Ins Strg Whl
14	160396		Decal V-Belt Schematic
16	190427		Decal Hood Rh
20	145005		Decal Bat Dan/Psn
	138311		Decal Handle Lft Height Adjust
	188322		Manual Owner's (English)
	188323		Manual Owner's (Spanish)



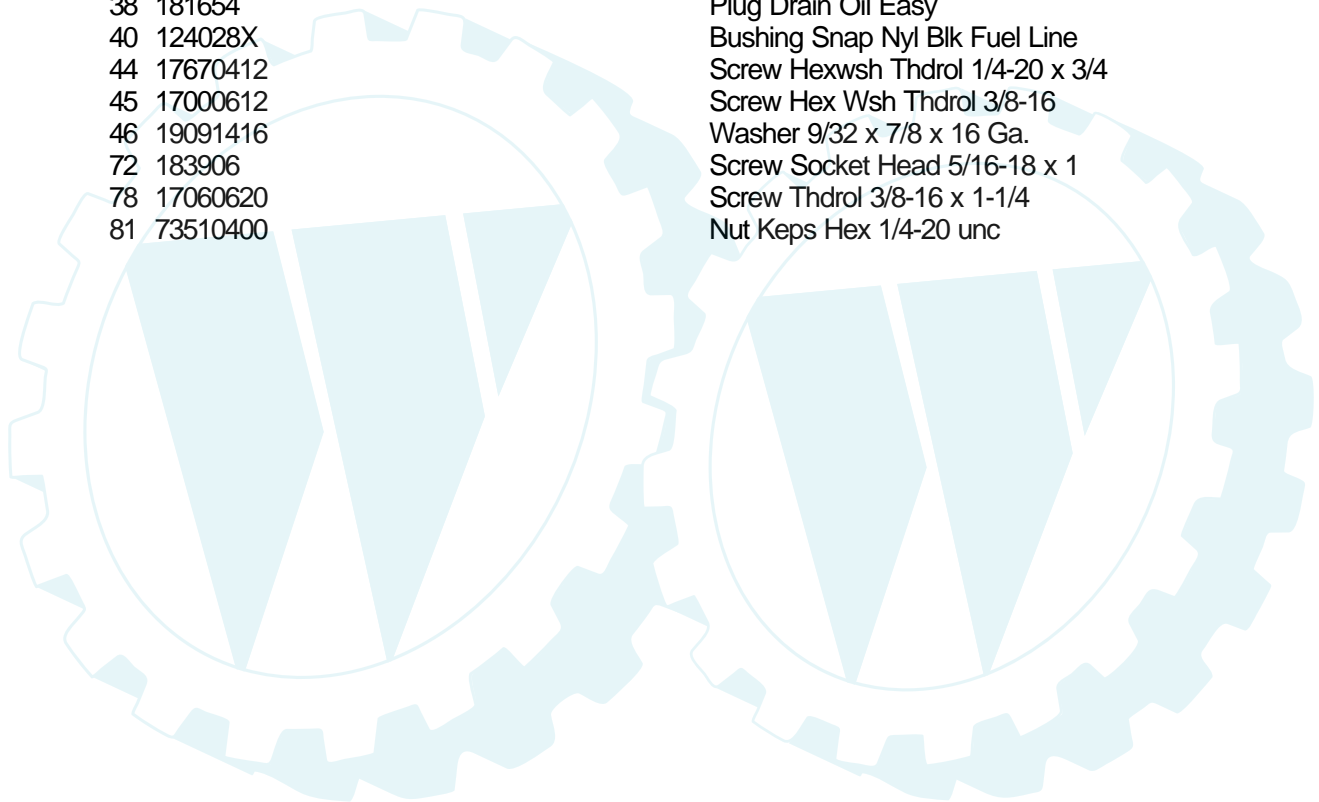


Ref #	Part Number	Qty	Description
1	163465		Battery 12 Volt 25 Amp
2	74760412		Bolt Hex Hd 1/4-20 unc x 3/4
8	176689		Box Battery
16	176138		Switch Interlock Push -In
21	183759		Harness Asm Light W/4152J
22	4152J		Bulb Light #1156
24	4799J		Cable Battery 6 Ga. 11"red
25	146147		Cable Battery 6 Ga. w/16 wire,red
26	175158		Fuse 20 AMP
27	73510400		Nut Keps Hex 1/4-20 unc
28	4207J		Cable Ground 6 Ga. 12" black
29	121305X		Switch Plunger Nc Gray
30	175566		Switch Ign
33	140401		Key Ign
40	179720		Harness Ign
41	71110408		Bolt Blk Fin Hex 1/4-20 x 1/2
42	131563		Cover Terminal Red
43	178861		Solenoid
45	121433X		Ammeter
52	141940		Protection Wire Loop
90	180449		Cover Terminal

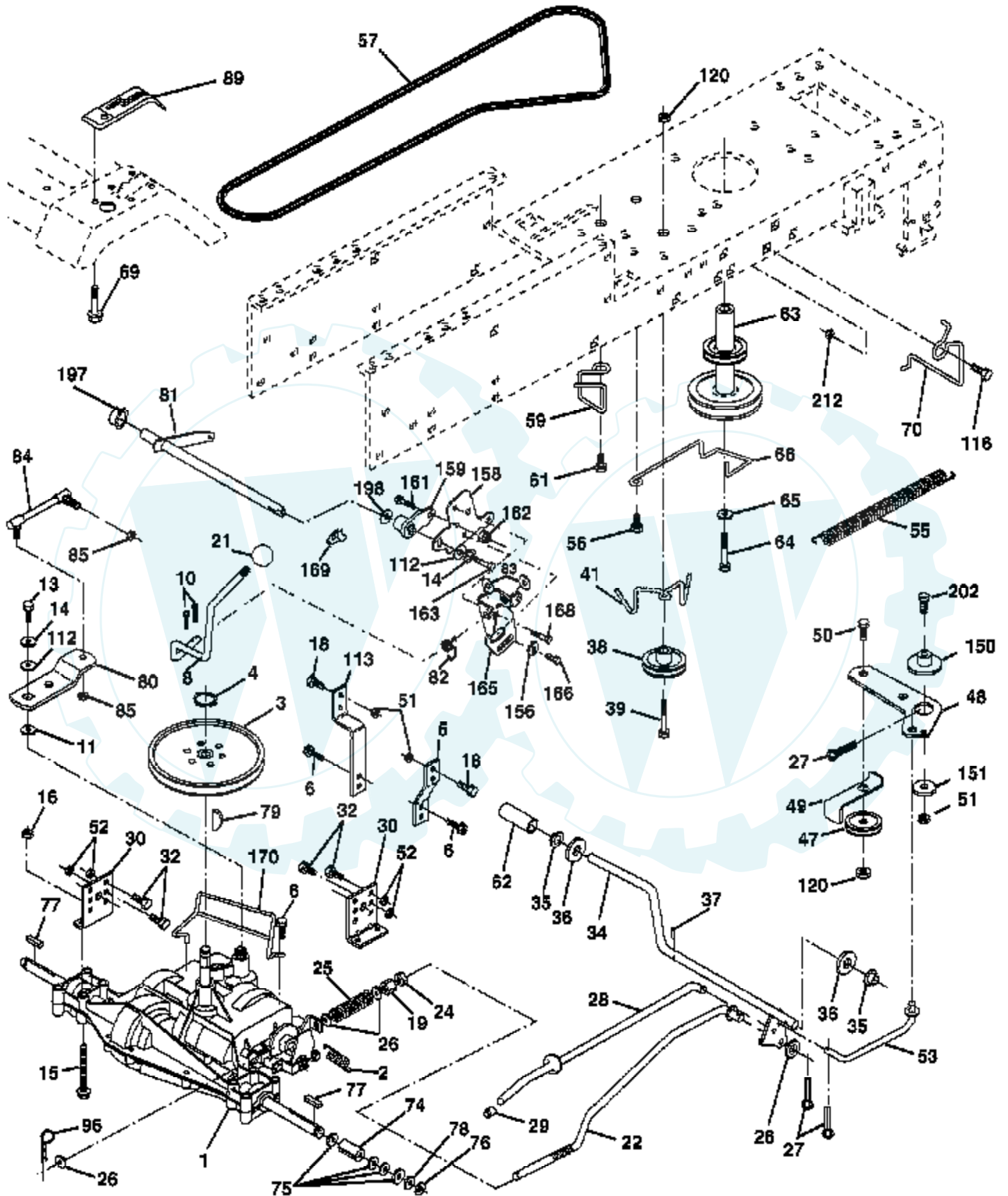




Ref #	Part Number	Qty	Description
1	170551		Control Throttle /Choke Flag
2	17720408		Screw Hex Thd Cut 1/4-20 x 1/2
3			Engine Briggs Model 31C707 (Order Parts From Engine Manufacturer)
4	137352		Muffl er Exhaust B&S Lt
13	165291		Gasket 1 313 Id Tin Plated
14	148456		Tube Drain Oil Easy
23	169837		Shield Browning/Debris Guard
29	137180		Arrestor Spark
31	184900		Tank Fuel 1 25 Fr
32	140527		Cap Asm Fuel W/sym Vented
33	123487X		Clamp Hose Blk
37	137040		Line Fuel 20"
38	181654		Plug Drain Oil Easy
40	124028X		Bushing Snap Nyl Blk Fuel Line
44	17670412		Screw Hexwsh Thdrol 1/4-20 x 3/4
45	17000612		Screw Hex Wsh Thdrol 3/8-16
46	19091416		Washer 9/32 x 7/8 x 16 Ga.
72	183906		Screw Socket Head 5/16-18 x 1
78	17060620		Screw Thdrol 3/8-16 x 1-1/4
81	73510400		Nut Keps Hex 1/4-20 unc

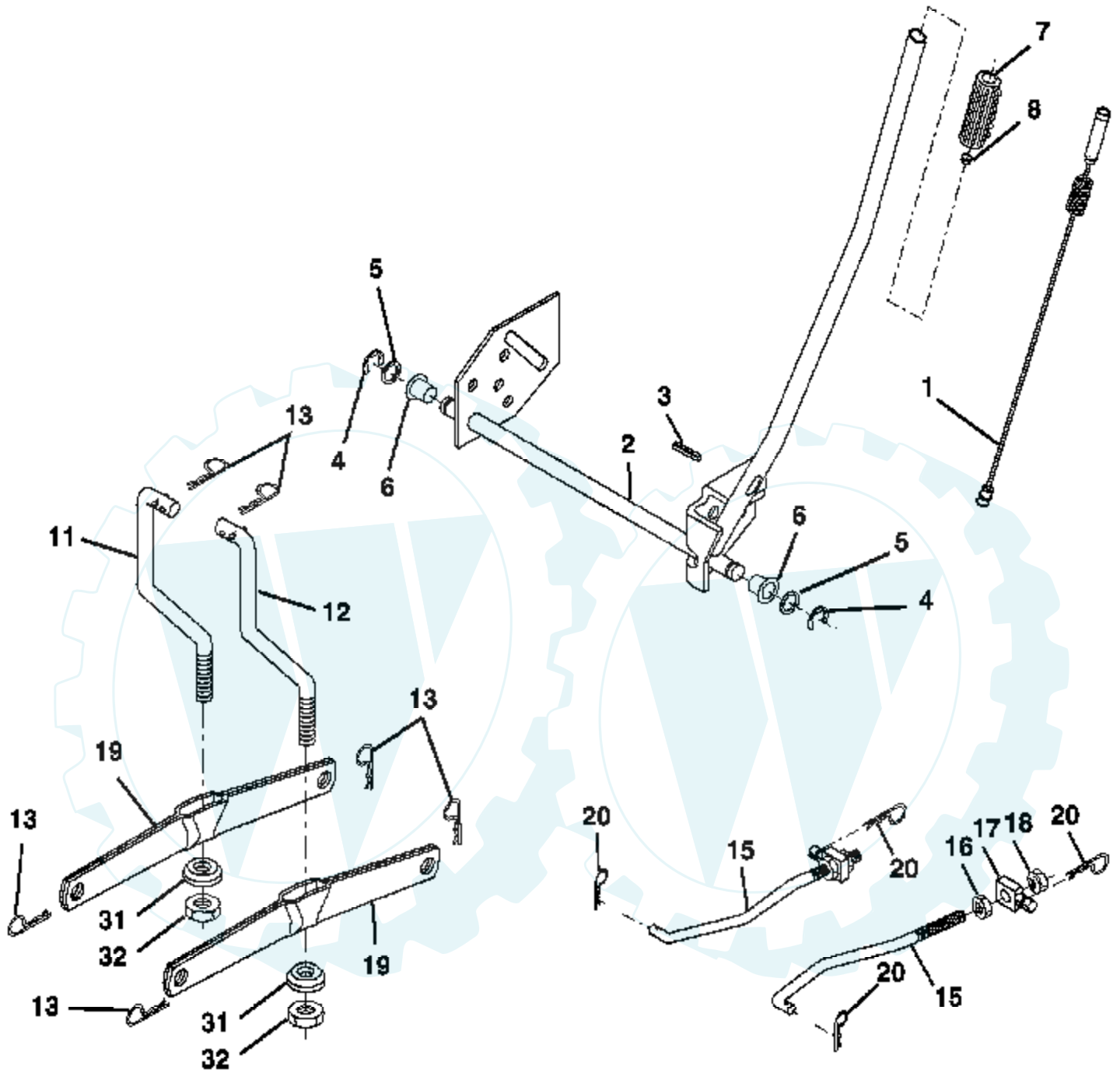




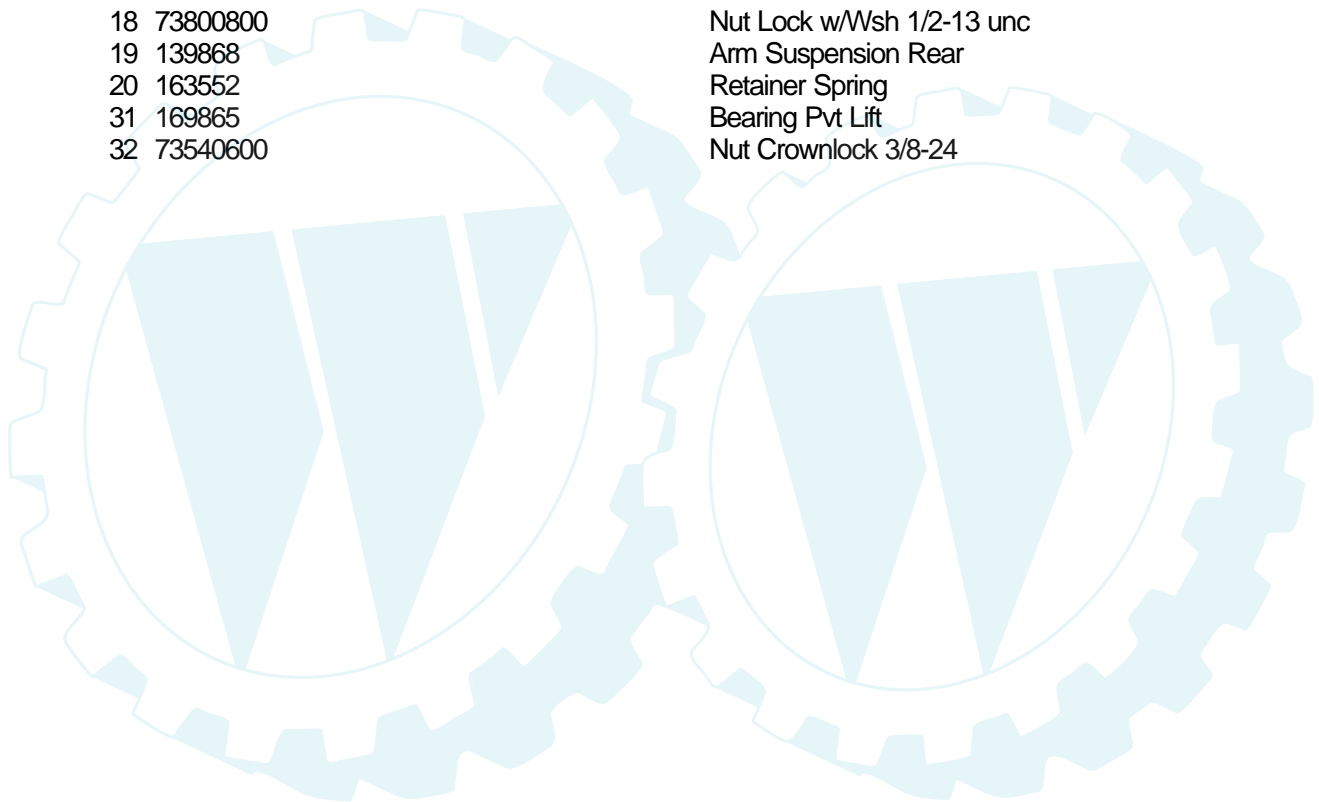


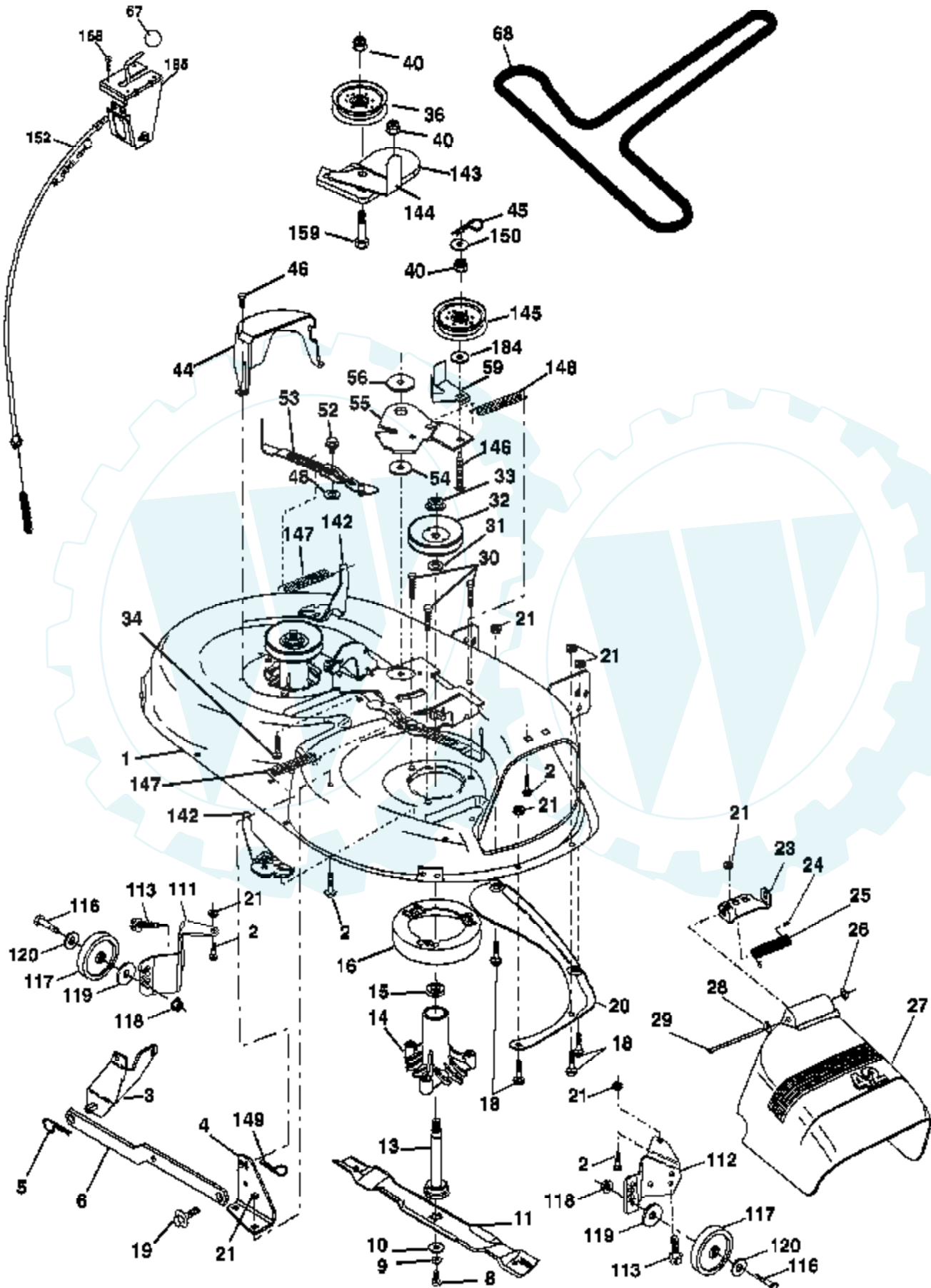
Ref #	Part Number	Qty	Description
1			Transaxle Peerless (206-545C) (Order parts from transaxle manufacturer)
2	146682		Spring Return Brake T/a Zinc
3	123666X		Pulley Transaxle 18" tires
4	12000028		Ring Retainer # 5100-62
5	121520X		Strap Torque 30 Degrees
6	17000512		Screw 5/16-18 x 3/4
8	165619		Rod Shift Fender Adjust Lt
10	76020416		Pin Cotter 1/8 x 1 Cad
11	105701X		Washer Plate Shf 388 Sq Hole
13	74550412		Bolt 1/4-28 Unf Gr. 8 W/Patch
14	10040400		Washer Lock Hvy Helical
15	74490544		Bolt Hex FLGHD 5/16-18 Gr. 5
16	73800500		Nut Lock Hex w/ins 5/16-18
18	74780616		Bolt, Fin Hex 3/8-16 unc x 1 Gr. 5
19	73800600		Nut Lock 3/8-16 Unc
21	106933X		Knob
22	130804		Rod Brake Blk Zinc 26 840
24	73350600		Nut Hex Jam 3/8-16 unc
25	106888X		Spring Rod Brake 2 00 Zinc
26	19131316		Washer 13/32 x 13/16 x 16 Ga.
27	76020412		Pin Cotter 1/8 x 3/4 Cad
28	175765		Rod Brake Parking LT/YT
29	71673		Cap Brake Parking
30	174973		Bracket Mtg Transaxle
32	74760512		Bolt Hex Hd 5/16-18 unc x 3/4
34	175578		Shaft Asm Pedal Foot
35	120183X		Bearing Nylon Blk 629 Id
36	19211616		Washer 21/32 x 1 x 16 Ga.
37	1572H		Pin Roll 3/16 x 1"
38	179114		Pulley Composite Flat
39	72110622		Bolt RDHD 3/8-16 unc x 2-3/4 Gr. 5
41	175556		Keeper Belt Flat Idler
47	127783		Pulley Idler V Groove Plastic
48	154407		Bellcrank Asm
49	123205X		Retainer Belt Style Spring
50	72110612		Bolt Carr. Sh. 3/8-16 x 1-1/2 Gr. 5
51	73680600		Nut Crownlock 3/8-16 unc
52	73680500		Nut Crownlock 5/16-18 unc
53	105710X		Link Clutch
55	105709X		Spring Return Clutch 6 75
56	17060620		Screw 3/8-16 x 1-1/4
57	130801		V-Belt Ground Drive 95 25
59	169691		Keeper Belt Span Ctr
61	17120614		Screw 3/8-16 x .875
62	8883R		Cover Pedal Blk Round
63	175410		Engine Pulley
64	173937		Bolt Hex
65	10040700		Washer Lock Hvy Hlcl Spr 7/16
66	154778		Keeper Belt Engine Foolproof
69	142432		Screw Hex wsh Hi Lo 1/4 x 1/2 unc
70	134683		Guide Belt Mower Drive RH
74	137057		Spacer Axle
75	121749X		Washer 25/32 x 1 1/4 x 16 Ga.
76	12000001		E-ring #5133-75
77	123583X		Key Square 2 0 x 1845/ 1865
78	121748X		Washer 25/32 x 1 1/4 x 16 Ga.

Ref #	Part Number	Qty	Description
79	2228M		Key Woodruff #9 3/16 x 3/4
80	131486		Arm Shift
81	165594		Shaft Asm Cross Tapered PMST/20
82	123782X		Spring Torsion T/a
83	19171216		Washer 17/32 x 3/4 x 16 Ga.
84	166228		Link Transaxle PMST/18" Zinc
85	150360		Nut Lock Center 1/4 - 28 FNTHD
89	169372X428		Console Shift STL
96	4497H		Retainer Spring 1"
112	19091210		Washer 9/32 x 3/4 x 10 Ga.
113	127285X		Strap Torque LT
116	72140608		Bolt Rdhd Sq Neck 3/8-16 x 1
120	73900600		Nut Lock Flg. 3/8-16 unc
150	175456		Spacer Retainer
151	19133210		Washer 13/32 x 2 x 10
156	166002		Washer Srrted 5/16ID x 1.125
158	165589		Bracket Shift Mount
159	183900		Hub Tapered Flange Shift Lt
161	72140406		Bolt Rdhd Sqnk 1/4-20 x 3/4
162	73680400		Nut Crownlock 1/4-20 unc
163	74780416		Bolt Hex Fin 1/4-20 unc x 1 Gr. 5
165	165623		Bracket Pivot Lever
166	17490510		Screw 5/16-18 x 5/8
168	165492		Bolt Shoulder 5/16-18 x .561
169	165580		Plate Fastening
170	187414		Keeper Belt Transaxle Gear
197	169613		Nyliner Snap-In
198	169593		Washer Nyliner
202	72110614		Bolt Rd Hd 3/8-16 unc x 1-3/4 Gr. 5
212	145212		Nut Hexflange Lock



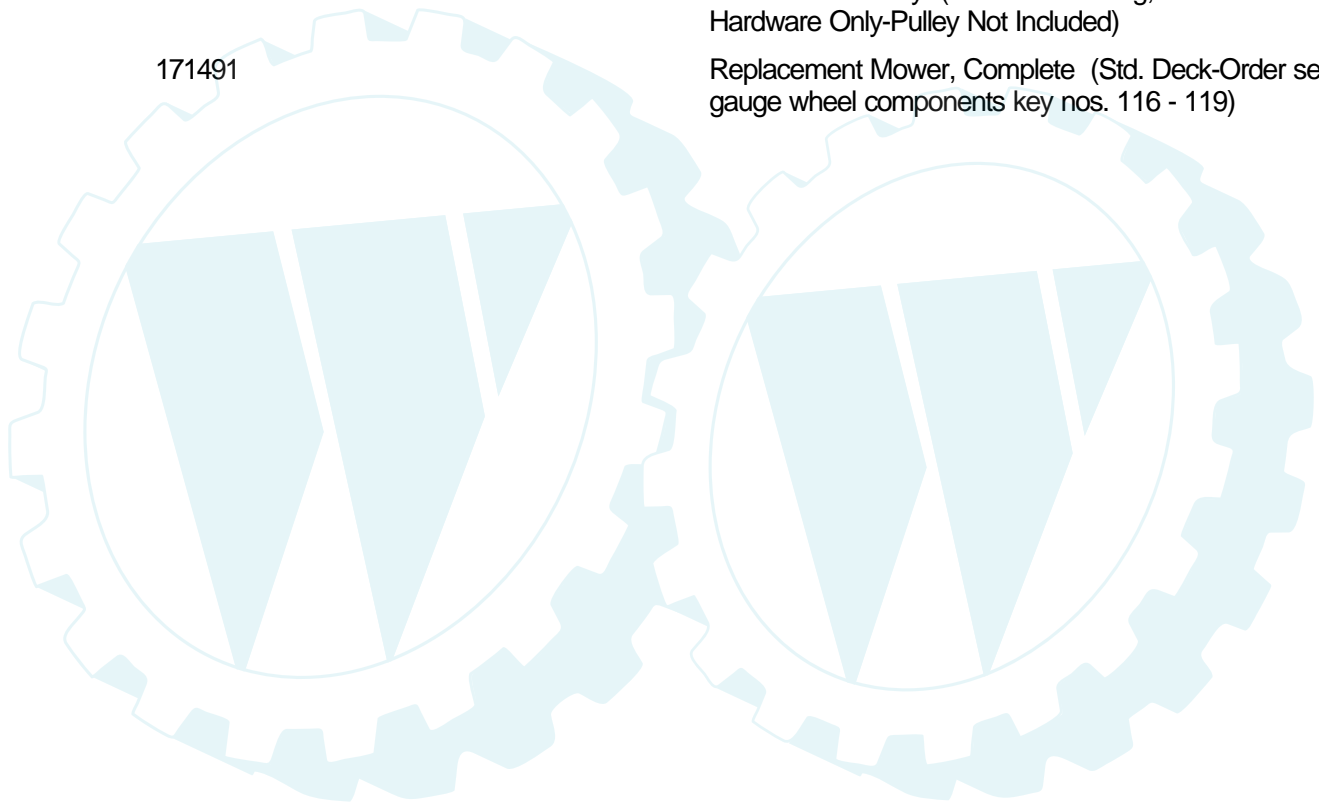
Ref #	Part Number	Qty	Description
1	159461		Wire Asm Inner/Sprg w/Plunger
2	159476		Shaft Asm Lift
3	178981		Pin Groove
4	12000002		E Ring #5133-62
5	19211621		Washer 21/32 x 1 x 21 Ga.
6	120183X		Bearing Nylon
7	109413X		Grip Handle
8	124526X		Button Plunger
11	139865		Link Lift Lh
12	139866		Link Lift Rh
13	4939M		Retainer Spring
15	173288		Link Front
16	73350800		Nut Jam Hex 1/2-13 unc
17	175689		Trunnion Blk Zinc
18	73800800		Nut Lock w/Wsh 1/2-13 unc
19	139868		Arm Suspension Rear
20	163552		Retainer Spring
31	169865		Bearing Pvt Lift
32	73540600		Nut Crownlock 3/8-24



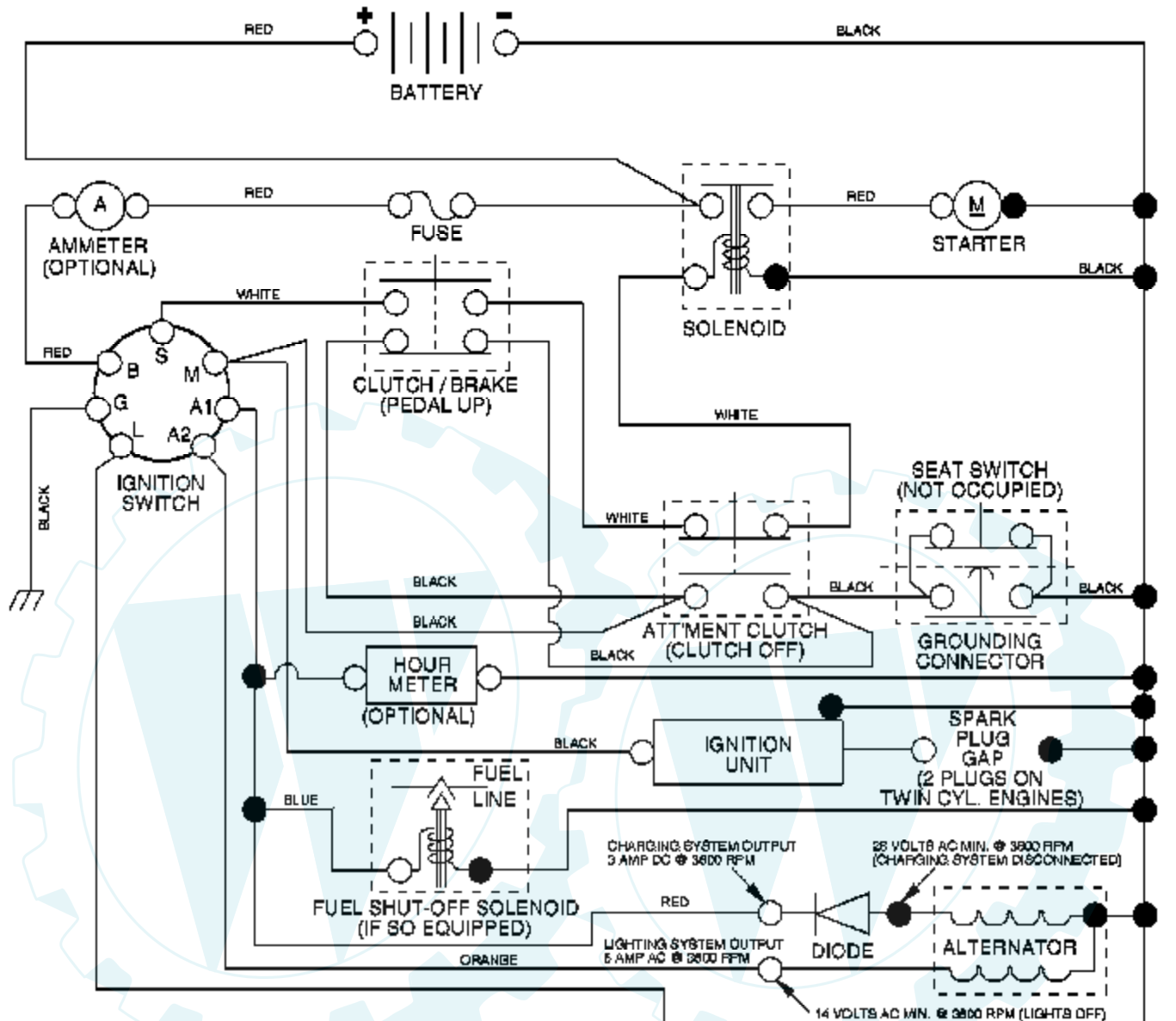


Ref #	Part Number	Qty	Description
1	165892		Mower Deck Assembly, 42"
2	72140506		Bolt
3	138017		Bracket Asm Fr. Sway Bar 3/42
4	165460		Bracket Asm Deck 42" Sway Bar
5	4939M		Retainer Spring
6	178024		Bar Sway Deck
8	850857		Bolt 3/8-24 x 25 Gr. 8 patched
9	10030600		Washer, Lock
10	140296		Washer, Hardened (The following blades are available)
11	134149		Blade, 42" Mulching Std (For mulching mowers only)
	139775		Blade, 42" Mulching Premium (For better wear when mulching)
	138971		Blade, 42" Hi-Lift (For bagging or discharging)
13	137645		Shaft Assembly, Mandrel, Vented
14	128774		Housing, Mandrel, Vented
15	110485X		Bearing, Ball, Mandrel
16	174493		Stripper, Mandrel Deck
18	72140505		Bolt, Carriage 5/16-18 x 5/8
19	132827		Bolt, Shoulder
20	159770		Baffle, Vortex
21	73680500		Nut
23	177563		Bracket, Deflector Mower 42"
24	105304X		Cap, Sleeve 80 x 112 Blk Mower
25	123713X		Spring, Torsion, Deflector 2 52
26	110452X		Nut, Push Phos & Oil
27	130968X428		Shield, Deflector 42" Blk
28	19111016		Washer 11/32 x 5/8 x 16 Ga.
29	131491		Rod, Hinge 42" 6 75 W/G
30	173984		Screw Thdrol Washer Head
31	187690		Washer, Spacer Mower Vented
32	153535		Pulley, Mandrel
33	178342		Nut, Toplock 9/16 Flange
34	72110612		Bolt
36	131494		Pulley, Idler, Flat
37	19131316		Washer 13/32 x 13/16 x 16 Ga.
40	73900600		Nut
44	140088		Guard, Mandrel, LH
45	4497H		Retainer
46	137729		Screw, Thdrol 1/4-20 x 5/8 T
48	133944		Washer, Hardened
52	139888		Bolt, Shoulder 5/16-18 unc
53	184907		Arm Assembly, Pad, Brake
54	178515		Washer, Hardened
55	155046		Arm, Idler
56	165723		Spacer, Retainer
59	141043		Guard TUV Idler
67	106932X		Knob
68	144959		V-Belt, 42" Mower
111	179292		Bracket Wheel Guage LH
112	179293		Bracket Wheel Gauge RH
113	72140506		Bolt Rdhd Sqnk 5/16-18 unc x 3/4
116	4898H		Bolt Shoulder
117	105455X		Wheel Guage
118	73930600		Nut Centerlock 3/8-16 unc
119	19121414		Washer 3/8 x 7/8 x 14 Ga.
120	19171512		Washer 17/32 x 15/16 x 12 Ga.
142	165890		Arm Spring Brake Mower

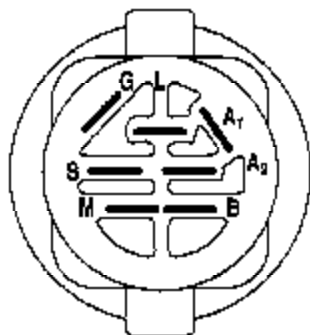
Ref #	Part Number	Qty	Description
143	157109		Bracket Arm Idler 42"
144	158634		Keeper Belt 42" Clutch Cable
145	165888		Pulley Idler Flat
146	171977		Bolt Carriage Idler
147	131335		Spring Extension
148	169022		Spring Return Idler
149	165898		Retainer Spring Yellow
150	19091210		Washer 9/32 x 3/4 x 10 Ga.
152	169676		Clutch Cable 42"
158	17720408		Screw Hex Thd Cut 1/4-20 x 1/2
159	72140614		Bolt Rdhd Sqn 3/8-16 unc x 1-3/4
184	19131410		Washer 13/32 x 7/8 x 10 Ga.
185	188234		Head Asm Cable Clutch
	130794		Mandrel Assembly (Includes Housing, Shaft and Shaft Hardware Only-Pulley Not Included)
	171491		Replacement Mower, Complete (Std. Deck-Order separately gauge wheel components key nos. 116 - 119)







**NOTE**  
YOUR TRACTOR IS EQUIPPED WITH A SPECIAL ALTERNATOR SYSTEM. THE LIGHTS ARE NOT CONNECTED TO THE BATTERY, BUT HAVE THEIR OWN ELECTRICAL SOURCE. BECAUSE OF THIS, THE BRIGHTNESS OF THE LIGHTS WILL CHANGE WITH ENGINE SPEED. AT IDLE THE LIGHTS WILL DIM. AS THE ENGINE IS SPEEDED UP, THE LIGHTS WILL BECOME THEIR BRIGHTEST.



**IGNITION SWITCH**

POSITION	CIRCUIT	"MAKE"
OFF	M+G+A1	NONE
RUN/LIGHT	B+A1	A2+L
RUN	B+A1	NONE
START	B + S + A1	NONE

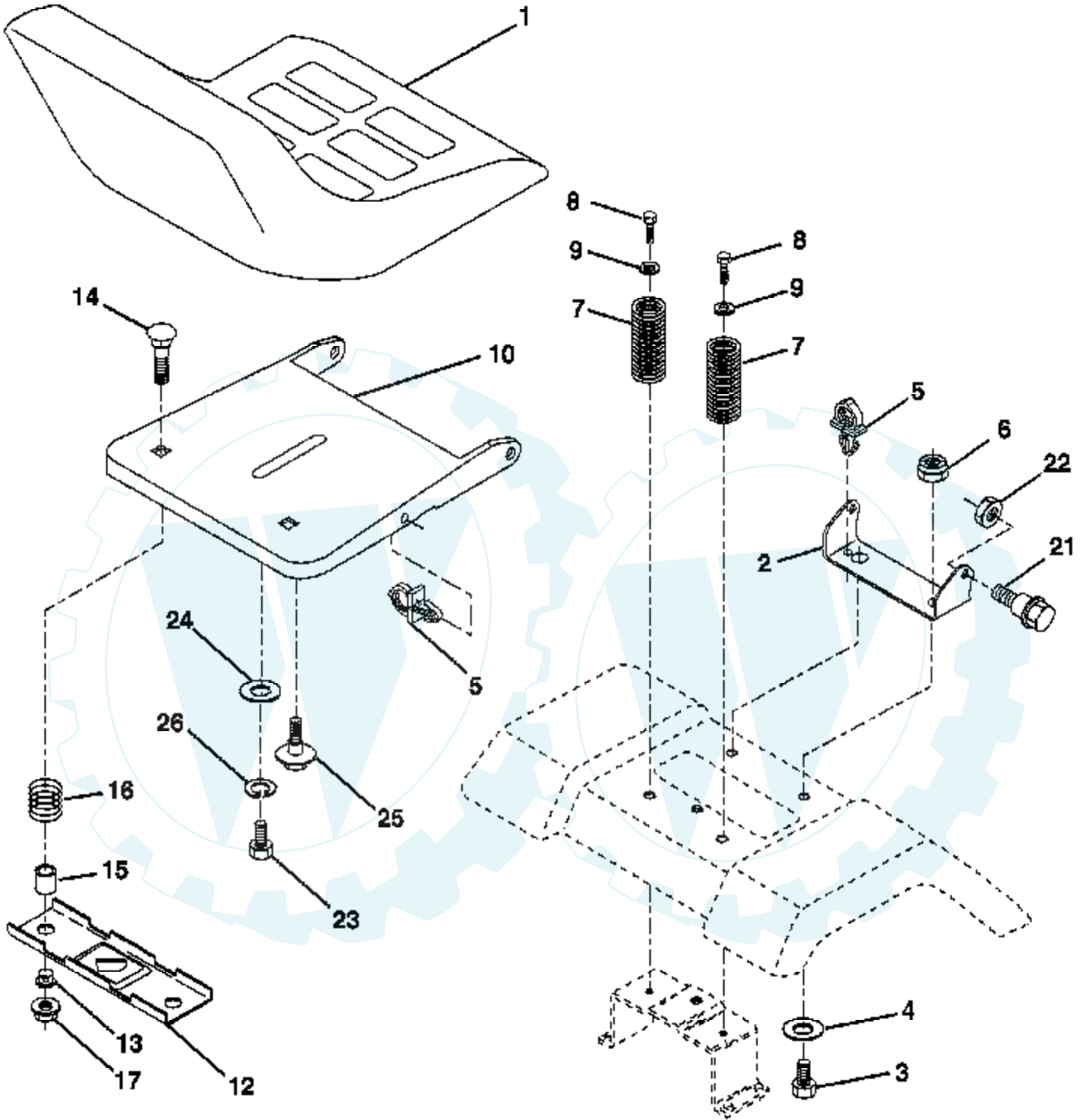
**WIRING INSULATED CLIPS**

**NOTE:** IF WIRING INSULATED CLIPS WERE REMOVED FOR SERVICING OF UNIT, THEY SHOULD BE REPLACED TO PROPERLY SECURE YOUR WIRING.

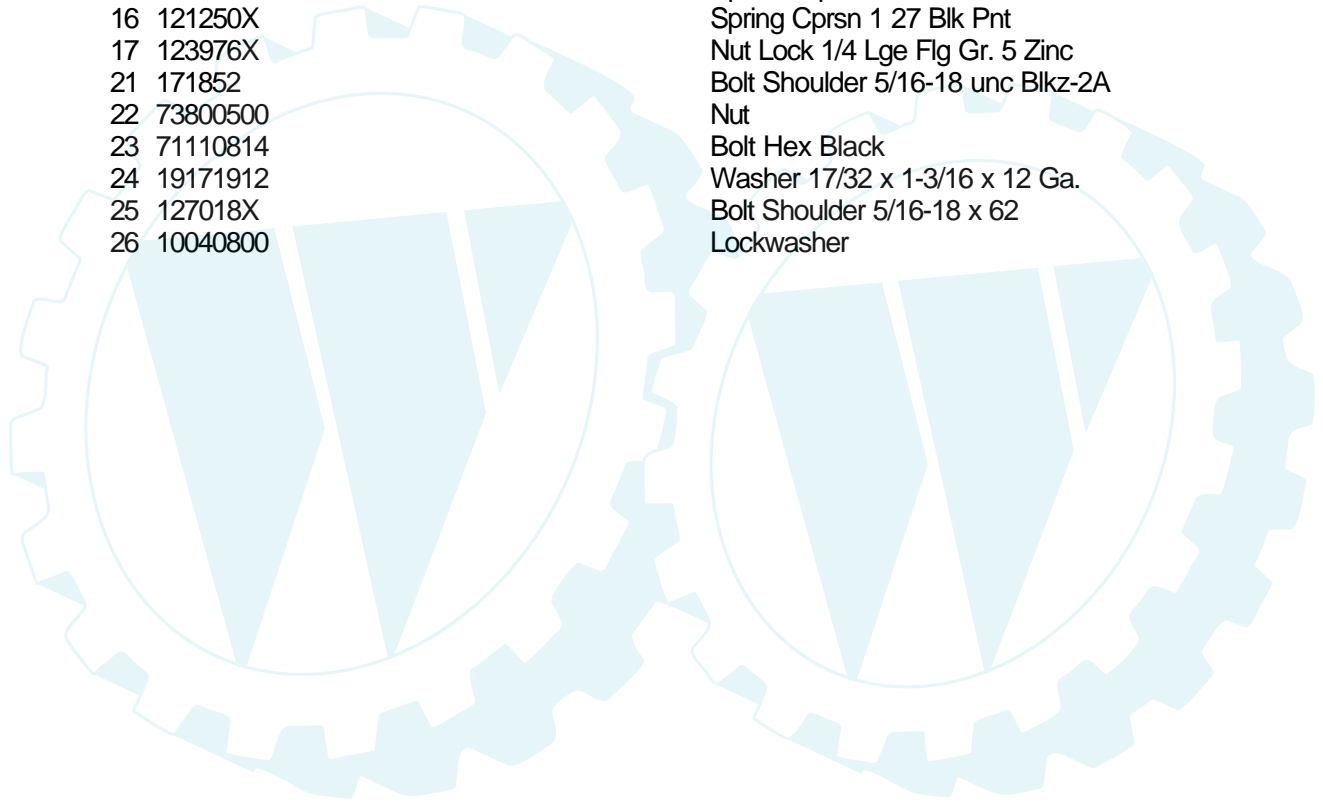
Der Ersatzteilspezialist im Internet.

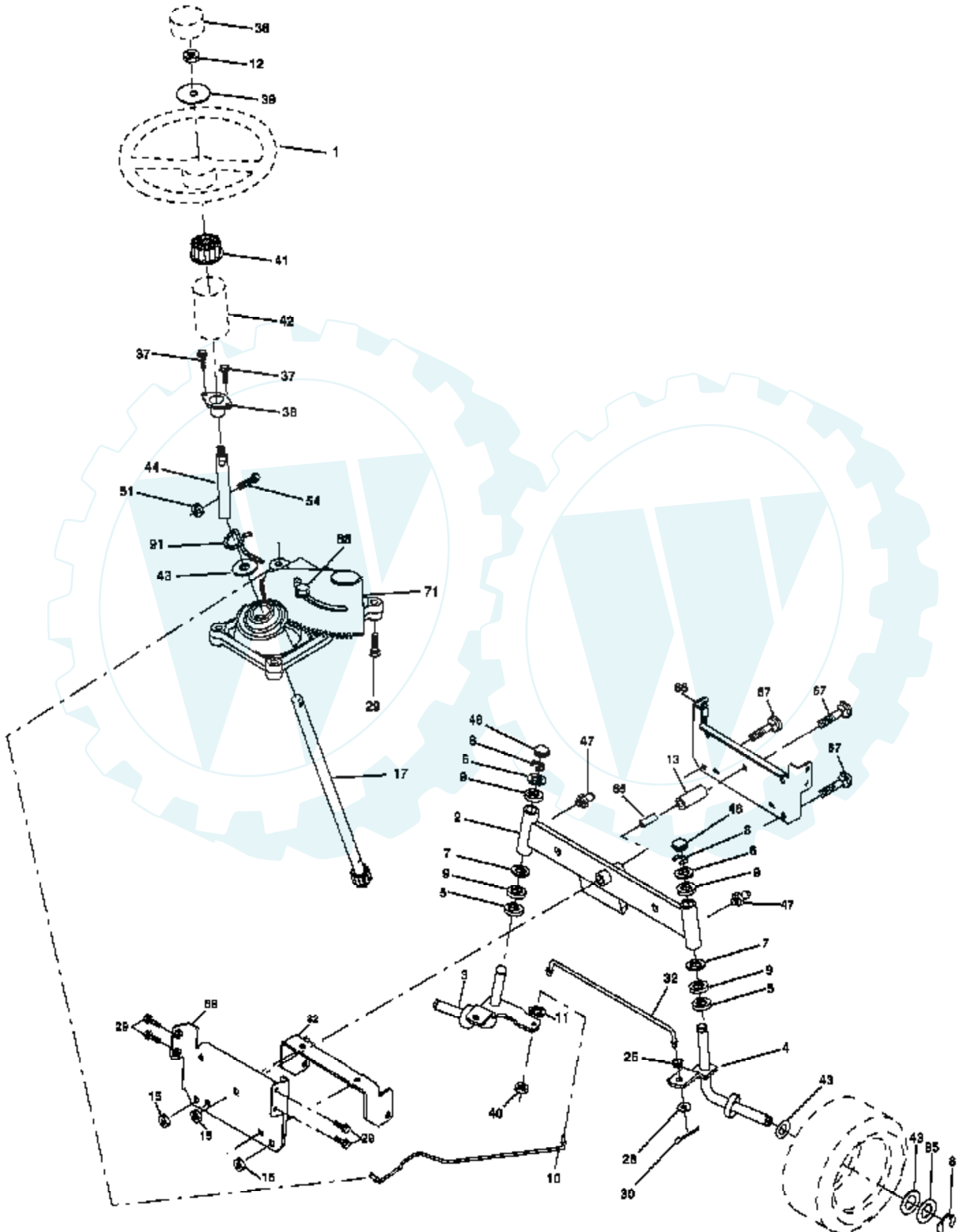
NON-REMOVABLE CONNECTIONS

REMOVABLE CONNECTIONS

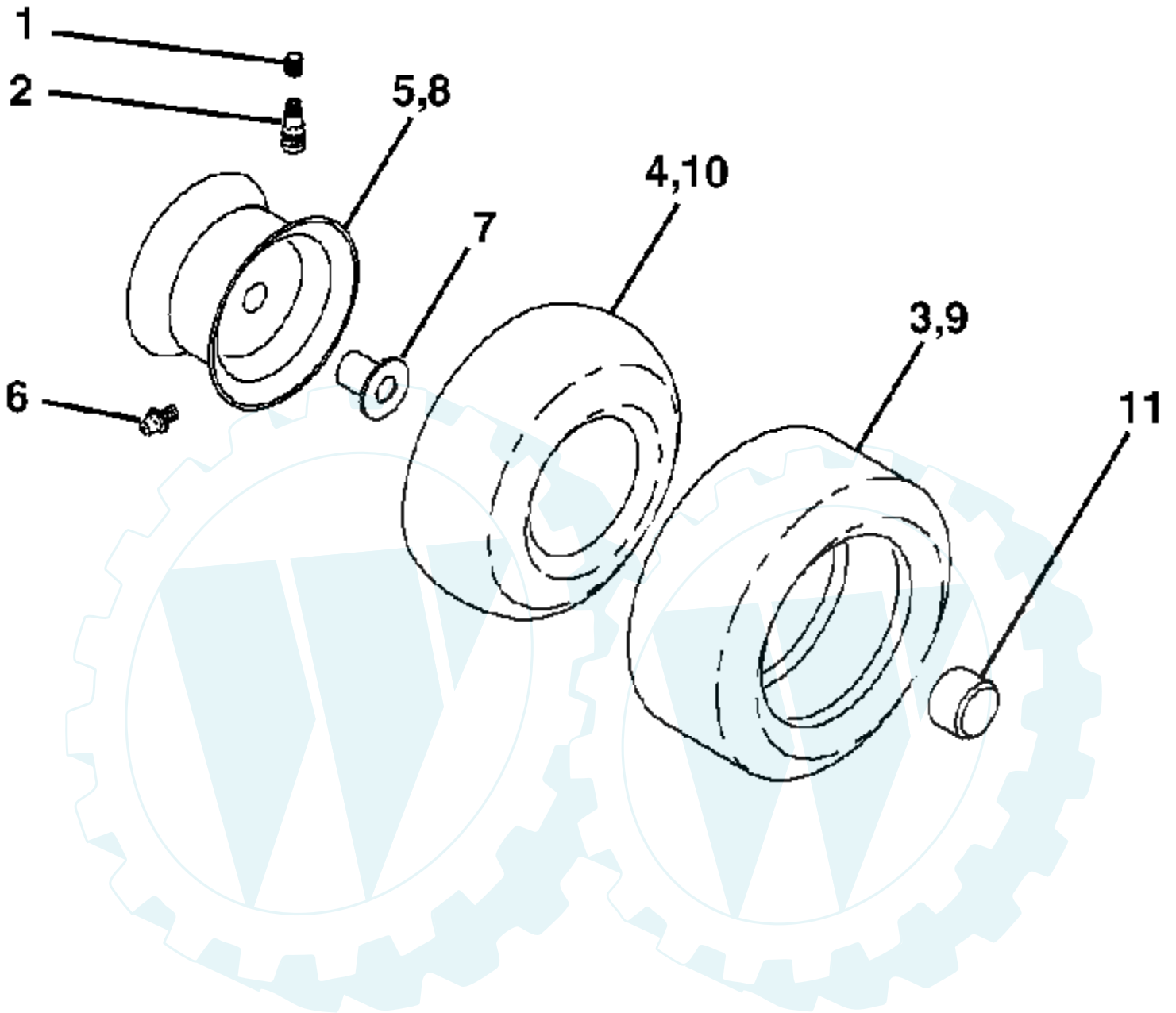


Ref #	Part Number	Qty	Description
1	175389		Seat
2	140551		Bracket Pnt Pivot Seat (blk)
3	71110616		Bolt
4	19131610		Washer 13/32 x 1 x 10 Ga.
5	145006		Clip Push-In Hinged
6	73800600		Nut
7	124181X		Spring Seat Cprsn 2 250 Blk Zi
8	17000616		Screw 3/8-16 x 1.5
9	19131614		Washer 13/32 x 1 x 14 Ga.
10	182493		Pan Pnt Seat (blk )
12	121246X		Bracket Pnt Mounting Switch
13	121248X		Bushing Snap Blk Nyl 50 Id
14	72050412		Bolt Rdhd Sht Nk 1/4-20 x 1-1/2
15	134300		Spacer Split 28 x 96 Yel Zinc
16	121250X		Spring Cprsn 1 27 Blk Pnt
17	123976X		Nut Lock 1/4 Lge Fig Gr. 5 Zinc
21	171852		Bolt Shoulder 5/16-18 unc Blkz-2A
22	73800500		Nut
23	71110814		Bolt Hex Black
24	19171912		Washer 17/32 x 1-3/16 x 12 Ga.
25	127018X		Bolt Shoulder 5/16-18 x 62
26	10040800		Lockwasher





Ref #	Part Number	Qty	Description
1	140044X428		Wheel Steering Auto Black
2	175131		Axle Asm Front
3	169840		Spindle Asm Lh
4	169839		Spindle Asm Rh
5	6266H		Bearing Race Thrust Harden
6	121748X		Washer 25/32 x 1 5/8 x 16 Ga.
7	19272016		Washer 27/32 x 1 1/4 x 16 Ga.
8	12000029		Ring Klip #t5304-75
9	3366R		Bearing Col Strg Blk
10	175121		Link Drag Extended
11	10040600		Lockwasher
12	73940800		Nut Hex Jam Toplock 1/2-20 unf
13	136518		Spacer Bearing Axle Front
15	145212		Hex Flange Lock
17	180641		Shaft Asm Strg
26	126847X		Bushing Rod Tie Blk Lt
28	19131416		Washer 13/32 x 7/8 x 16 Ga.
29	17000612		Screw 3/8-16 x 3/4
30	76020412		Pin
32	130465		Rod Tie Wire Form 19 75 Mech
36	155099		Bushing Strg 5/8 Id Dash
37	152927		Screw TT #10-32 x 5 x 3/8 Flange
38	140045X428		Insert Cap Strg
39	19183812		Washer 9/16 ID x 2-3/8 OD 12 Gr.
40	73540600		Nut Crownlock
41	186737		Adaptor Wheel Strg .760
42	145054X428		Boot Dash Steering
43	121749X		Washer 25/32 x 1 1/4 x 16 Ga.
44	180640		Extension Steering
46	121232X		Cap Spindle Fr Top Blk
47	183226		Fitting Grease
51	73540400		Nut Crownlock 1/4-28
54	71130420		Bolt Hex 1/4-28 unf x 1-1/4 Gr. 8
65	160367		Spacer Brace Axle
67	72110618		Bolt Rdhd Sq 3/8-16 unc x 2-1/4
68	169827		Brace Axle
71	175146		Steering Asm
82	169835		Bracket Susp Chassis Front
88	175118		Bolt Shoulder 7/16-20
91	175553		Clip Steering
95	188967		Washer Hardened



Ref #	Part Number	Qty	Description
1	59192		Cap Valve Tire
2	65139		Stem Valve
3	106222X		Tire F Ts 15 x 6 0 - 6 Service
4	59904		Tube Front (Service Item Only)
5	106732X624		Rim Asm 6" front Service
6	278H		Fitting Grease (Front Wheel Only)
7	9040H		Bearing Flange (Front Wheel Only)
8	106108X624		Rim Asm 8" rear Service
9	106268X		Tire R Ts 18 x 9.5-8 Service
10	7152J		Tube Rear (Service Item Only)
11	104757X428		Cap Axle 1 50 x 1 00
	144334		Sealant, Tire (10 oz. Tube)

