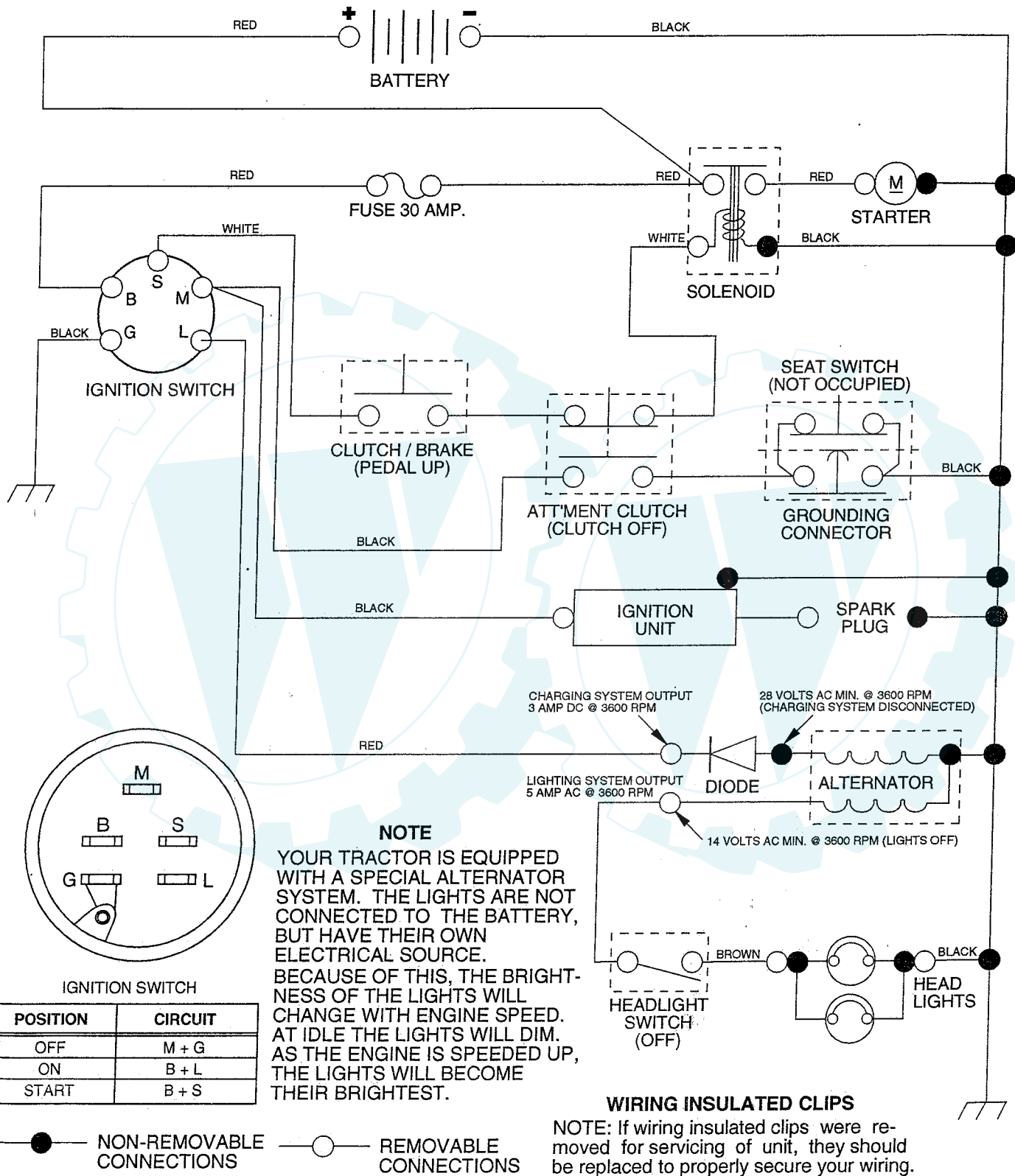


LAWN TRACTOR - MODEL NUMBER SK1238D

SCHEMATIC

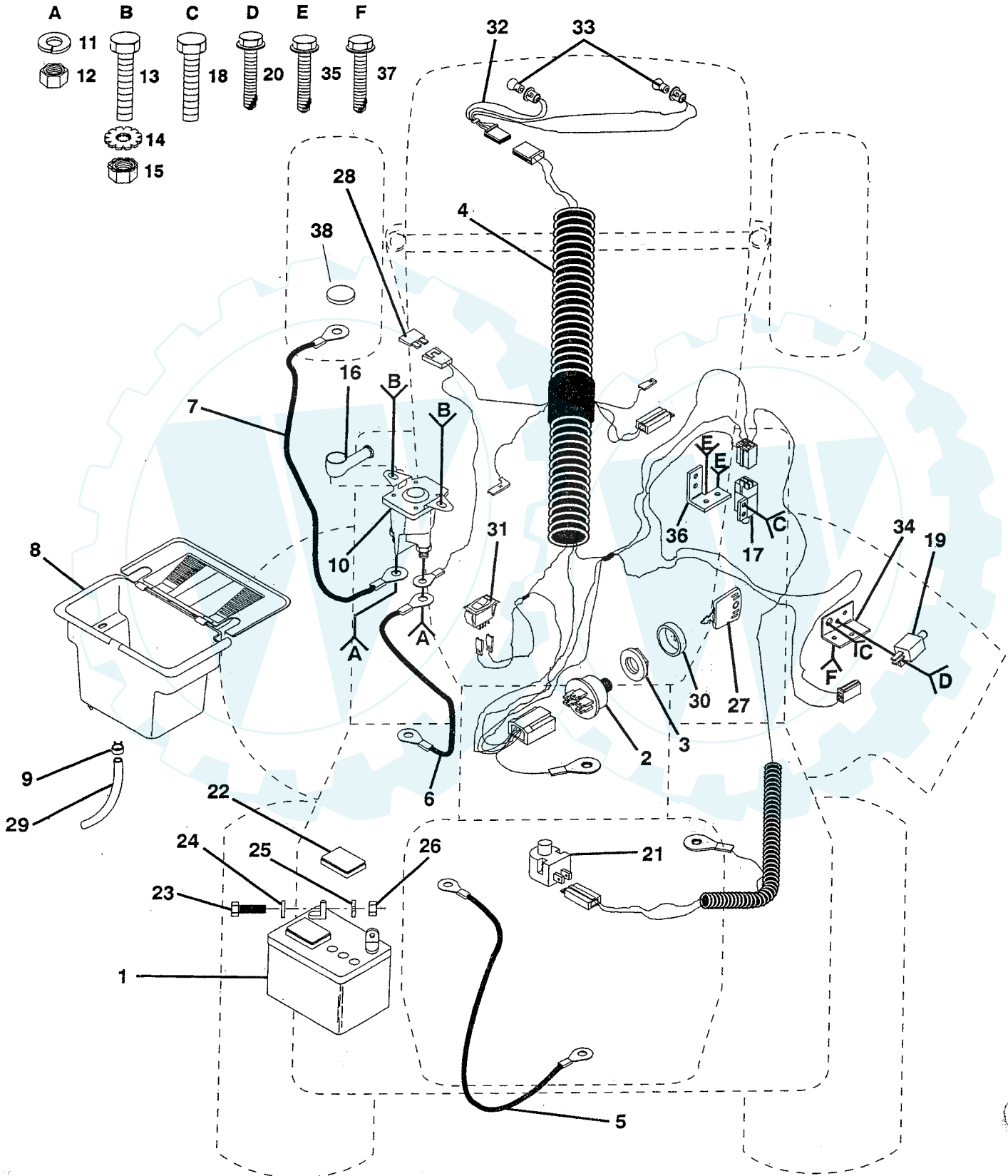


REPAIR PARTS

www.ersatzteil-service.de

12 HP 38" RIDING LAWN TRACTOR - - MODEL NUMBER SK1238D

ELECTRICAL



REPAIR PARTS

www.ersatzteil-service.de

12 HP 38" RIDING LAWN TRACTOR - - MODEL NUMBER SK1238D

ELECTRICAL

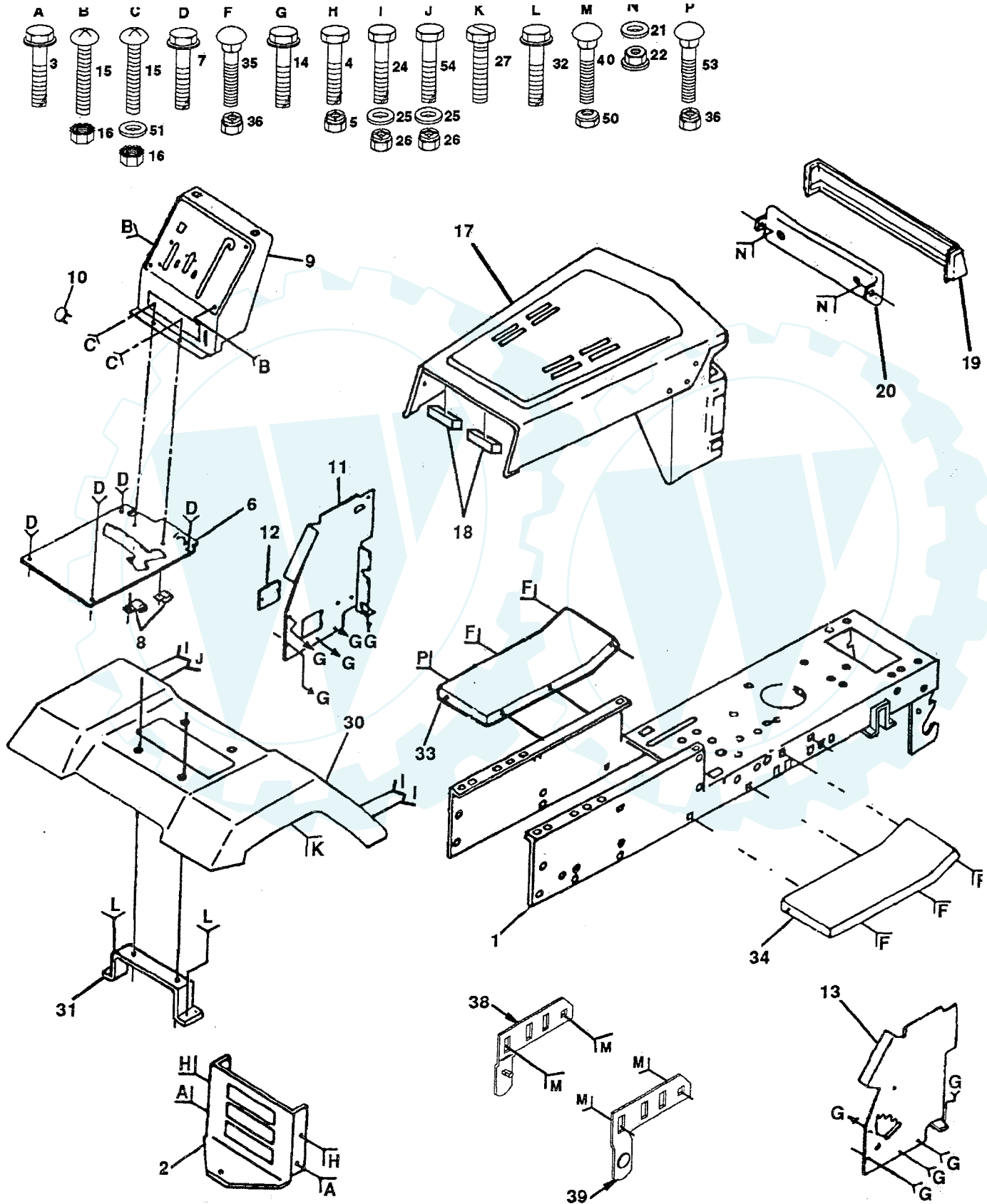
KEY NO.	PART NO.	DESCRIPTION	KEY NO.	PART NO.	DESCRIPTION
1	532121265	Battery 12 VOLT 25 AMP	20	817021008	Screw Tap Hex #10-24unc X 1/2
2	532125104	Switch Ign 5 Term Wo/wash/nut	21	532121305	Switch Plunger Nc Gray
3	532124211	Nut Ignition	22	532121264	Caps Battery 20/25/30 AMP
4	532132017	Harness Ign Bs Dash Headlights	23	874760412	Bolt Hex Hd 1/4-20unc X 3/4
5	532124773	Cable Ground 6 Ga 12"black	24	819091016	Washer 9/32 X 5/8 X 16 Ga
6	532132202	Cable Battery 6 Ga 43"red	25	810040400	Washer Lock Hvy Helical 1/4
7	532124780	Cable Battery 6 Ga 11"red	26	873220400	Nut Fin Hex 1/4-20 Unc
8	532129965	Case Battery Hng Mech W/lid	27	532122147	Key Ign Molded Generic
9	532109596	CLAMP Hose Olive	28	532108824	Fuse 30 AMP Auto Green
10	532138406	Solenoid	29	532105687	Tube Plastic 9"
11	810090400	Washer Lock 1/4	30	532123620	Cover Sw Key Blk 1 25 Text SLT
12	873350400	Nut Jam Hex 1/4-20 Unc	31	532110712	Switch Light Blk Blk Red
13	874780408	Bolt Fin Hex 1/4-20uncx1/2 Gr5	32	532136850	Harness Asm Light W/4152j
14	811050400	Washer Lock Ext Tooth 1/4	33	532004152	Bulb Light #1156
15	873510400	Nut Keps Hex 1/4-20 Unc	34	532108236	Bracket Switch Clutch
16	532131563	Cover Terminal Red	35	817021008	Screw Tap Hex #10-24unc X 1/2
17	532109553	Switch Intlk Clutch Red 4 Term	36	532130890	Bracket Switch Interlock
18	817021008	Screw Tap Hex #10-24unc X 1/2	37	817021008	Screw Tap Hex #10-24unc X 1/2
19	532104445	Switch Intlk Clutch Red 2 Term	38	811150400	Washer Lock Internal Tooth 1/4

NOTE: All componenet dimensions given in U.S. inches.
1 inch = 25.4 mm.

REPAIR PARTS

12 HP 38" RIDING LAWN TRACTOR -- MODEL NUMBER SK1238D

CHASSIS AND ENCLOSURES



REPAIR PARTS

www.ersatzteil-service.de

12 HP 38" RIDING LAWN TRACTOR - - MODEL NUMBER SK1238D

CHASSIS AND ENCLOSURES

KEY NO.	PART NO.	DESCRIPTION	KEY NO.	PART NO.	DESCRIPTION
1	532135034	Chassis Wldmt 11 Ga 38/42 W/pvt	21	819091216	Washer 9/32 X 3/4 X 16Ga
2	532137275	Drawbar LT/YT 11 Ga	22	532108067	Nut Pal
3	817490612	Screw Thdrol 3/8-16x3/4 Ty-tt	24	874760612	Bolt Fin Hex 3/8-16unc X 3/4
4	874760612	Bolt Fin Hex 3/8-16unc X 3/4	25	819131312	Washer 13/32 X 13/16 X 12 Ga
5	873680600	Nut Crownlock 3/8-16 Unc	26	873680600	Nut Crownlock 3/8-16 Unc
6	532138338	Saddle Slkscr 5sp D W/sym Nons	27	817490608	Screw Thdrol 3/8-16x1/2 Ty-tt
7	817490608	Screw Thdrol 3/8-16x1/2 Ty-tt	30	532125400	Fender Pnt LT W/o Shift(red)
8	532124996	Clip Line Fuel 13/32 Mtg Hole	31	532136619	Bracket Fender Repl 109873x
9	532125447	Dash Slkscr 1-pc M W/i N/c Sym	32	817490612	Screw Thdrol 3/8-16x3/4 Ty-tt
10	532005479	Plug Button Blk 359 Dia Choke	33	532125401	Footrest Pnt LH Perf (Red)
11	532122795	Panel Dash LH	34	532125402	Footrest Pnt RH Perf (Red)
12	532121794	Cover Access Black Square	35	872110606	Bolt Rdhd Sht Sqnk 3/8-16 X3/4
13	532124829	Panel Slkscr Dash RH Wld Notch	36	873680600	Nut Crownlock 3/8-16 Unc
14	817490608	Screw Thdrol 3/8-16x1/2 Ty-tt	38	532134618	Bracket Asm Pvt38 LH MWR Rear
15	874180512	Screw Mach TRHD 5/16-18uncx3/4	39	532134617	Bracket Asm Pvt38 RH MWR Rear
16	873510500	Nut Keps 5/16-18 Unc	40	872140606	Bolt Rdhd Sqnk 3/8-16unc X3/4
17	532125399	Hood/grille Asm Pnt Welded	50	873800600	Nut Lock Hex W/wsh 3/8-16unc
18	532126938	Bumper Hood	51	819131216	Washer 13/32 X 3/4 X 16 Ga
19	532133805	Lens Grille H/bar Clear Lt	53	872140608	Bolt Rd Sqnk 3/8 - 16 X 1
20	532132257	Bezel Light	54	874760614	Bolt Fin Hex 3/8 - 16 X 7/8

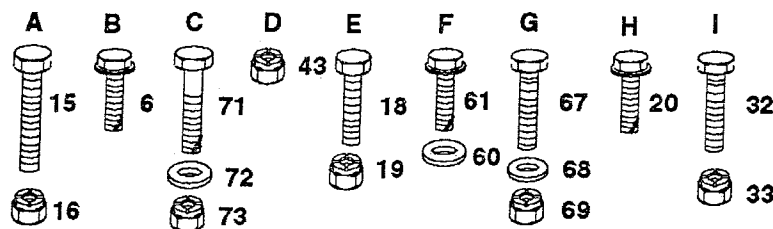
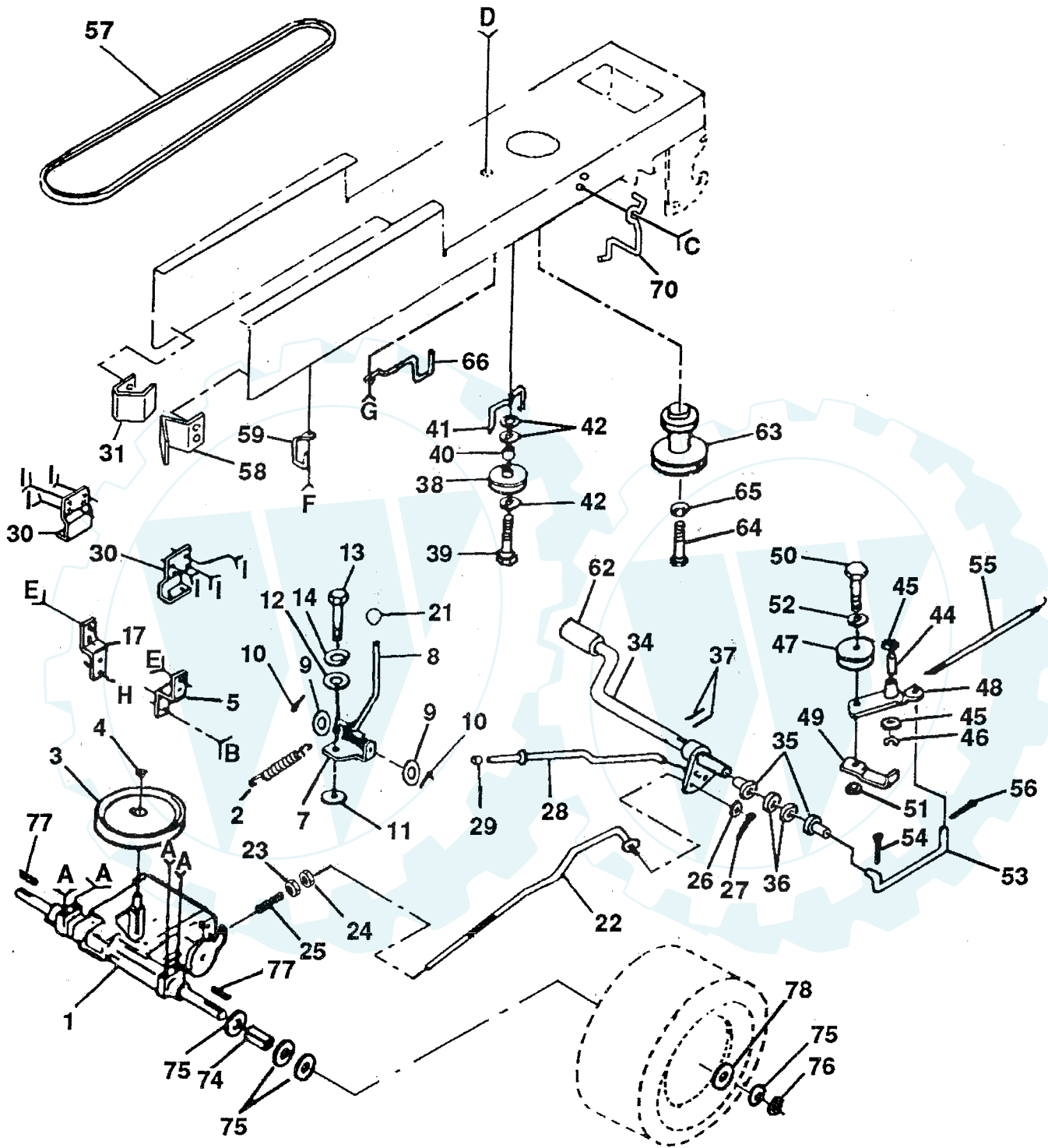
NOTE: All component dimensions given in U.S. inches.
1 inch = 25.4 mm

REPAIR PARTS

www.ersatzteil-service.de

12 HP 38" RIDING LAWN TRACTOR - - MODEL NUMBER SK1238D

DRIVE



REPAIR PARTS

www.ersatzteil-service.de

12 HP 38" RIDING LAWN TRACTOR - - MODEL NUMBER SK1238D

DRIVE

KEY NO.	PART NO.	DESCRIPTION	KEY NO.	PART NO.	DESCRIPTION
1	532137362	Transaxle 5sp Std D4360-47	40	532124965	Spacer Split 395 X 59 Bzp
2	532110422	Spring Return Brake T/a Zinc	41	532109070	Keeper Belt Retainer
3	532123666	Pulley Transaxle 18" tires	42	819131312	Washer 13/32 X 13/16 X 12 Ga
4	812000028	Ring Retainer # 5100-62	43	873680600	Nut Crownlock 3/8-16 Unc
5	532121520	Strap Torque 30 Degrees	44	532105706	Bearing Nyl 503 X 628 X 1 25
6	817490512	Screw Thdrol 5/16-18 X 3/4 TYT	45	532110812	Washer Hardened
7	532106919	Plate Rod Shift T/a	46	812000039	Ring Klip #t5304-50
8	532124461	Rod Shifter Blk (Dana)	47	532127783	Pulley Idler V Groove Plastic
9	819151216	Washer 15/32 X 3/4 X 16 Ga	48	532123789	Bellcrank Asm Clutch
10	876020416	Pin Cotter 1/8 X 1 Cad	49	532123205	Retainer Belt Style Spring
11	532105701	Washer Plate Shf 388 Sq Hole	50	874760624	Bolt Hex Hd 3/8-16unc X 1-1/2
12	819091210	Washer 9/32 X 3/4 X 10 Ga	51	873680600	Nut Crownlock 3/8-16 Unc
13	871040412	Bolt Fin Hex 1/4-28unfx3/4 Gr8	52	819131316	Washer 13/32 X 13/16 X 16 Ga
14	810040400	Washer Lock Hvy Helical 1/4	53	532105710	Link Clutch 7 66
15	874760644	Bolt Fin Hex 3/8-16unc X 2-3/4	54	876020412	Pin Cotter 1/8 X 3/4 Cad
16	873680600	Nut Crownlock 3/8-16 Unc	55	532105709	Spring Return Clutch 6 75
17	532121520	Strap Torque 30 Degrees	56	876020412	Pin Cotter 1/8 X 3/4 Cad
18	874760612	Bolt Fin Hex 3/8-16unc X 3/4	57	532125907	V-Belt Ground Drive 90 00
19	873680600	Nut Crownlock 3/8-16 Unc	58	532127274	Keeper Belt RH LT Pnt/zinc 16g
20	817490512	Screw Thdrol 5/16-18 X 3/4 TYT	59	532136715	Keeper Belt Chassis Span Ctr
21	532106933	Knob Rd 1/2-13 Plstc Thds Blk	60	819131312	Washer 13/32 X 13/16 X 12 Ga
22	532131867	Rod Brake LT	61	817490612	Screw Thdrol 3/8-16x3/4 Ty-tt
23	873800600	Nut Lock Hex W/wsh 3/8-16unc	62	532124872	Cover Pedal Blk Round
24	873350600	Nut Hex Jam 3/8-16 Unc	63	532134825	Engine Pulley LT/YT
25	532106888	Spring Rod Brake 2 00 Zinc	64	871170764	Bolt Hex 7/16-20x4 Gr 5
26	819131316	Washer 13/32 X 13/16 X 16 Ga	65	810040700	Washer Lock Hvy Hlcl Spr 7/16
27	876020412	Pin Cotter 1/8 X 3/4 Cad	66	532129921	Keeper Belt Engine LH LT
28	532128904	Rod Brake Parking LT	67	874760616	Bolt Fin Hex 3/8-16unc X 1
29	532071673	Cap Brake Parking Black	68	819131312	Washer 13/32 X 13/16 X 12 Ga
30	532109167	Bracket Transmission	69	873680600	Nut Crownlock 3/8-16 Unc
31	532127275	Keeper Belt LH LT 14 Ga	70	532134683	Guide Belt Mower Drive RH
32	874760612	Bolt Fin Hex 3/8-16unc X 3/4	71	874760616	Bolt Fin Hex 3/8-16unc X 1
33	873680600	Nut Crownlock 3/8-16 Unc	72	819132012	Washer 13/32 X 1-1/4 X 12 Ga
34	532122424	Shaft Asm Pedal Foot 1 930	73	873680600	Nut Crownlock 3/8-16 Unc
35	532120183	Bearing Nylon Blk 629 Id	74	532109502	Spacer Split 80x1 94 Cad/zinc
36	819211616	Washer 21/32 X 1 X 16 Ga	75	532121749	Washer 25/32 X 1 1/4 X 16 Ga
37	532124963	Pin Roll 3/16 X 1"	76	812000001	E-ring #5133-75
38	532123674	Pulley Idler Flat	77	532123583	Key Square 2 0 X 1845/ 1865
39	874760644	Bolt Fin Hex 3/8-16unc X 2-3/4	78	532121748	Washer 25/32 X 1-5/8 X 16 Ga

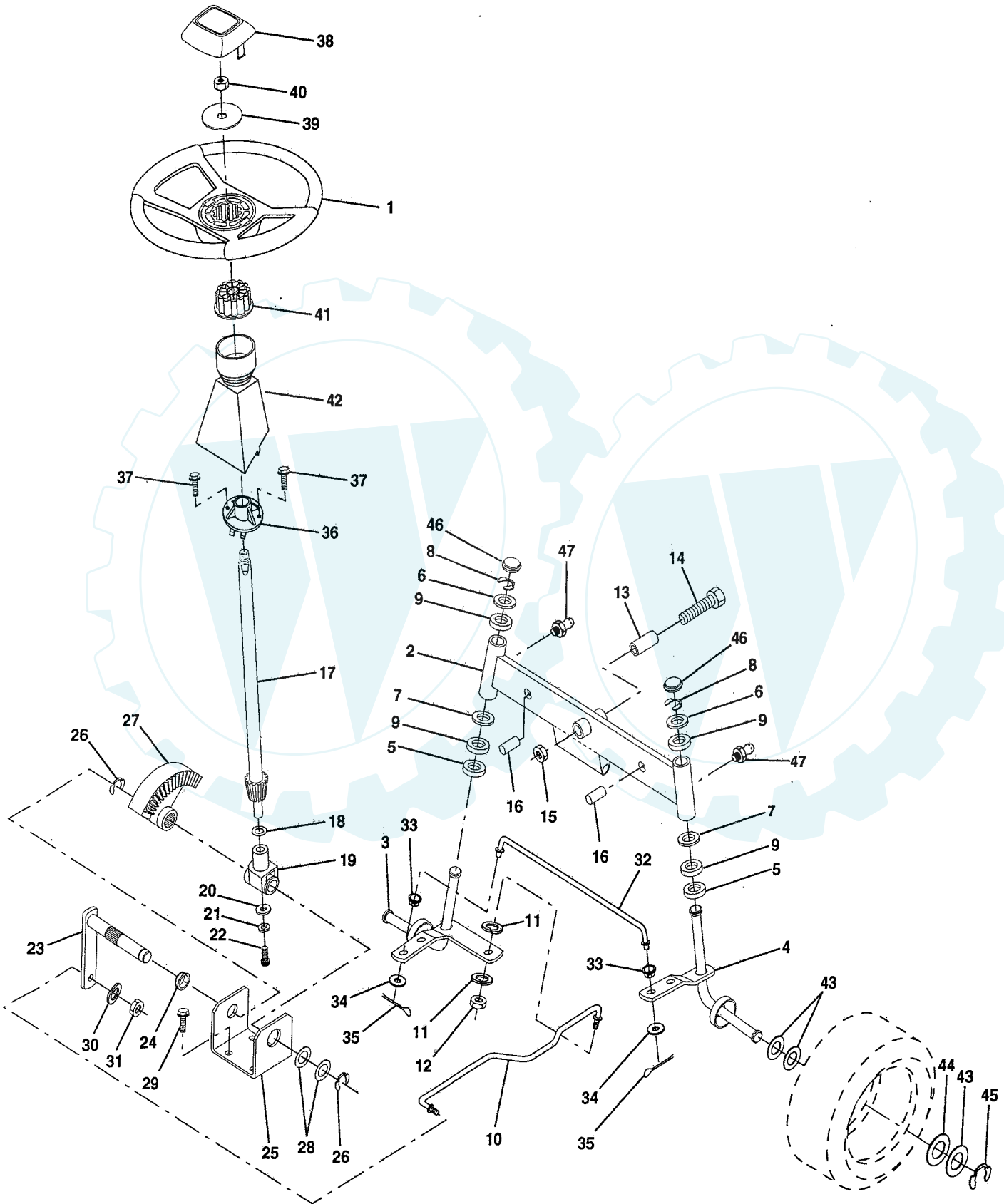
NOTE: All component dimensions given in U.S. inches.
1 inch = 25.4 mm

REPAIR PARTS

www.ersatzteil-service.de

12 HP 38" RIDING LAWN TRACTOR - - MODEL NUMBER SK1238D

STEERING ASSEMBLY



REPAIR PARTS

www.ersatzteil-service.de

12 HP 38" RIDING LAWN TRACTOR - - MODEL NUMBER SK1238D

STEERING ASSEMBLY

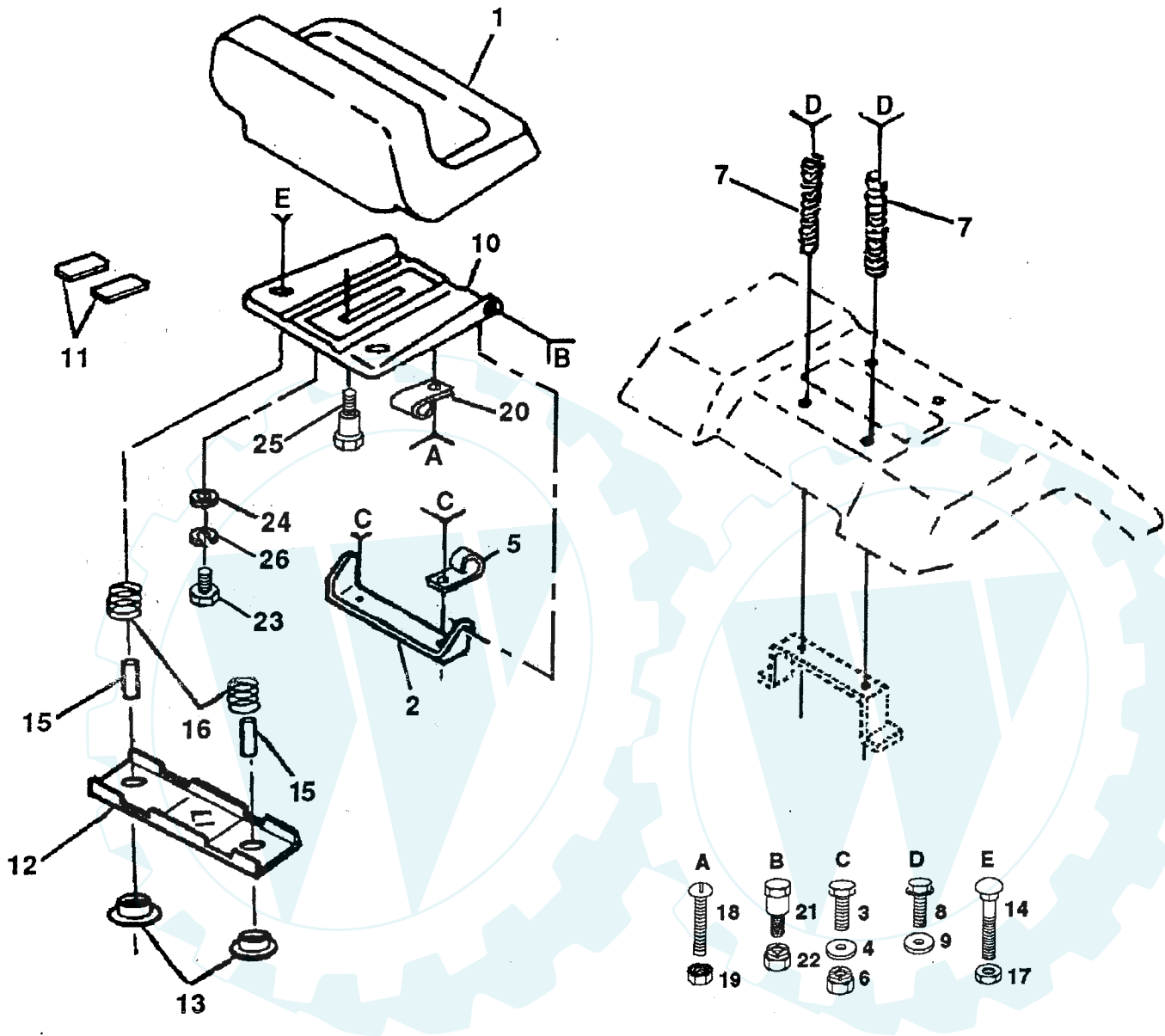
KEY NO.	PART NO.	DESCRIPTION
1	532133741	Wheel Steering Ayp/kelch Blk
2	532133988	Axle Asm Fr LT W/gzks 38/42
3	532135227	Spindle Asm LH
4	532135228	Spindle Asm RH
5	532124931	Bearing Race Thrust Harden
6	532121748	Washer 25/32 X 1-5/8 X 16 Ga
7	819272016	Washer 27/32 X 1-1/4 X 16 Ga
8	812000029	Ring Klip #t5304-75
9	532124937	Bearing Col Strg Blk
10	532130468	Link Drag Sol Ball Jt 20 064
11	810040600	Washer Lock Hvy Hlcl Spr 3/8
12	873610600	Nut Fin Hex 3/8-24 Unf
13	532110438	Spacer Bearing Axle Front
14	532132624	Pin Axle 5/8 X 1 55/1 54 Lg
15	874011056	Bolt Hex 5/8-11 Unc X 3-1/2
16	873901000	Nut Lock Flange 5/8-11 Unc
17	532132614	Shaft Asm Strg 5/8 X 15 19 LT
18	532057079	Washer Thrust 515x 750x 033
19	532124035	Support Shaft
20	532126684	Washer Shim 1/4 X 5/8 X 062
21	810040400	Washer Lock Hvy Helical 1/4
22	871070410	Screw Hex Socket 1/4-20 X 5/8
23	532127501	Shaft Asm Pittman
24	532109816	Nyliner Snap In
25	532124036	Bracket Steering
26	812000029	Ring Klip #t5304-75
27	532136874	Gear Sector
28	532124931	Bearing Race Thrust Harden
29	817490612	Screw Thdrol 3/8-16x3/4 Ty-tt
30	810040600	Washer Lock Hvy Hlcl Spr 3/8
31	873610600	Nut Fin Hex 3/8-24 Unf
32	532130465	Rod Tie Wire Form 19 75 Mech
33	532126847	Bushing Link Drag Blk LR
34	819131416	Washer 13/32 X 7/8 X 16 Ga
35	876020412	Pin Cotter 1/8 X 3/4 Cad
36	532132196	Bushing Strg 5/8 Id Dash
37	817431008	Screw Slftp #10-16 X 1/2 Ty-b
38	532133742	Cap Wheel Steer Ayp/kelch Blk
39	819133808	Washer 13/32 X 2-3/8 X 8 Ga
40	532124701	Nut Lock Center 3/8-24unf
41	532104820	Adaptor Wheel Strg 640/ 635id
42	532124418	Boot Shaft Steering Blk
43	532121749	Washer 25/32 X 1 1/4 X 16 Ga
44	532121748	Washer 25/32 X 1-5/8 X 16 Ga
45	812000029	Ring Klip #t5304-75
46	532121232	Cap Spindle Fr Top Blk
47	532124836	Fitting Grease

NOTE: All component dimensions given in U.S. inches.
1 inch = 25.4 mm

REPAIR PARTS

12 HP 38" RIDING LAWN TRACTOR - - MODEL NUMBER SK1238D

SEAT ASSEMBLY



KEY NO.	PART NO.	DESCRIPTION
1	532127427	Seat V350 Blk/blk Std
2	532126656	Bracket Pivot Seat 8 720
3	874760612	Bolt Fin Hex 3/8-16unc X 3/4
4	819131210	Washer 13/32 X 3/4 X 10 Ga
5	532124996	Clip Line Fuel 13/32 Mtg Hole
6	873680600	Nut Crownlock 3/8-16 Unc
7	532124181	Spring Seat Cprsn 2 250 Blk Zi
8	817490616	Screw Thdrol 3/8-16 X 1 Ty-tt
9	819131614	Washer 13/32 X 1 X 14 Ga
10	532131451	Pan Seat
11	532121251	Strip Foam Gray Or Black
12	532121246	Bracket Mounting Switch
13	532121248	Bushing Snap Blk Nyl 50 Id

KEY NO.	PART NO.	DESCRIPTION
14	872050411	Bolt Rdhd Sht Nk 1/4-20x1-3/8
15	532134300	Spacer Split 28x 96 Yel Zinc
16	532121250	Spring Cprsn 1 27 Blk Pnt
17	532123976	Nut Lock 1/4 Lge Flg Gr 5 Zinc
18	874641008	Screw SLTD Pan Hd #10-32 X 1/2
19	873951000	Nut Keps #10-32 Unf
20	532124967	Clip Insulated 11/32 Mtg Hole
21	532105529	Bolt Shoulder 5/16-18 Unc Blkz
22	873680500	Nut Crown Lock 5/16-18
23	819171912	Washer 17/32 X 1-3/16 X 12 Ga
23	874780814	Bolt Fin Hex 1/2-13 X 7/8 Gr 5
25	532127018	Bolt Shoulder 5/16-18 X 62
26	810040800	Washer Lock Hvy Hlcl Spr 1/2

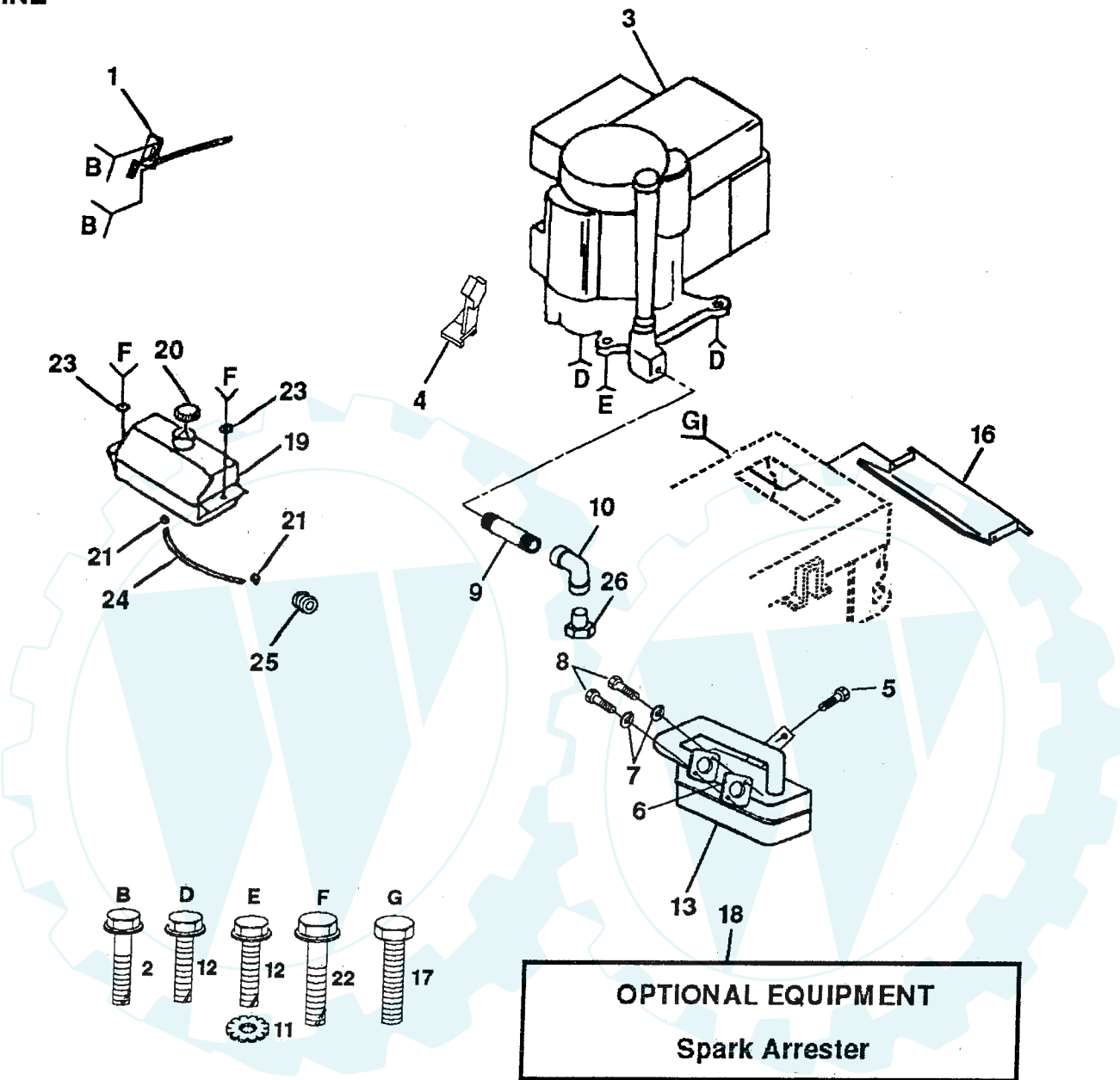
NOTE: All component dimensions given in U.S. inches
1 inch = 25.4 mm

REPAIR PARTS

www.ersatzteil-service.de

12 HP 38" RIDING LAWN TRACTOR - - MODEL NUMBER SK1238D

ENGINE



OPTIONAL EQUIPMENT
Spark Arrester

KEY NO.	PART NO.	DESCRIPTION
1	532132623	Control Th/ch RH Blk Tee Eec
2	817720410	Screw Hex Thd Cut 1/4-20x5/8 T
3	-	Engine B&S 12HP Dual Non-ic Model #282707
4	532133097	Stop Throt 2700 Rpm
5	874760416	Bolt Fin Hex 1/4-20 Unc X 1
6	532125593	Gasket Eng 1 313 Id Tin Plated
7	810040500	Washer Lock Hvy Hlcl Spr 5/16
8	871070510	Screw Hexhd Cap 5/16-18x5/8
9	813280324	Nipple Pipe 3/8 Npt X 3"
10	813200300	Elbow Std 90 Degree 3/8-18 Npt
11	811050600	Washer Lock Ext Tooth 3/8
12	817490620	Screw Thdrol 3/8-16x1-1/4 TYTT

KEY NO.	PART NO.	DESCRIPTION
13	532137348	Muffler LT B&S 12/12 5 HP
16	532128953	Shield Heat Browning LT/YT
17	817021008	Screw Tap Hex #10-24unc X 1/2
18	532137179	Kit Spark Arrestor 1 25
19	532109202	Tank Fuel Front 1 25
20	532123549	Cap Asm Fuel W/sym Vented
21	532123487	CLAMP Hose Blk
22	817490612	Screw Thdrol 3/8-16x3/4 Ty-tt
23	819131612	Washer 13/32 X 1 X 12 Ga
24	532008548	Line Fuel 13"
25	532124028	Bushing Snap Nyl Blk Fuel Line
26	-	Plug Oil Drain (Order From Engine Manufacturer)

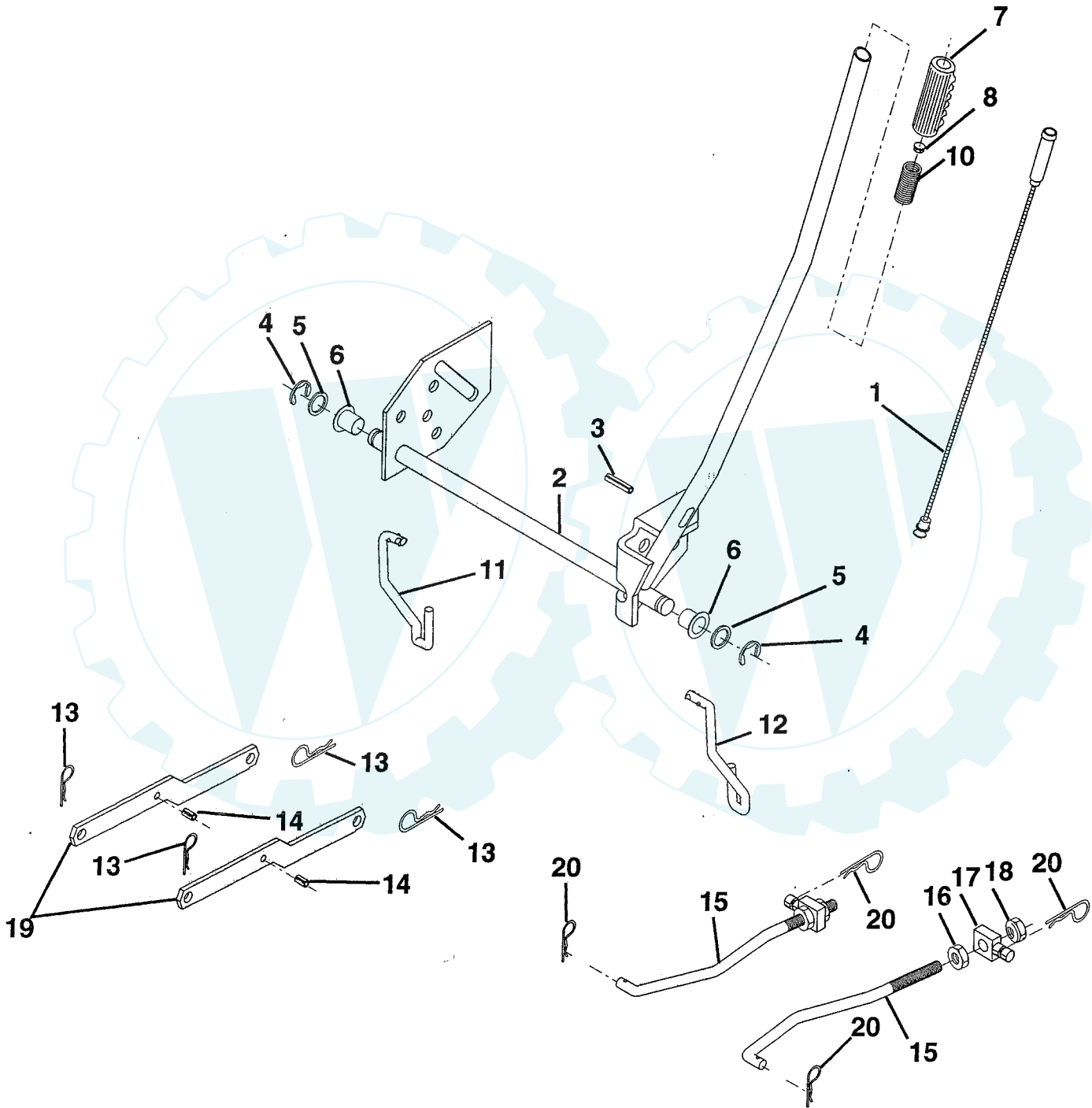
NOTE: All component dimensions given in U.S. inches
1 inch = 25.4 mm

REPAIR PARTS

www.ersatzteil-service.de

12 HP 38" RIDING LAWN TRACTOR - - MODEL NUMBER SK1238D

MOWER LIFT



REPAIR PARTS

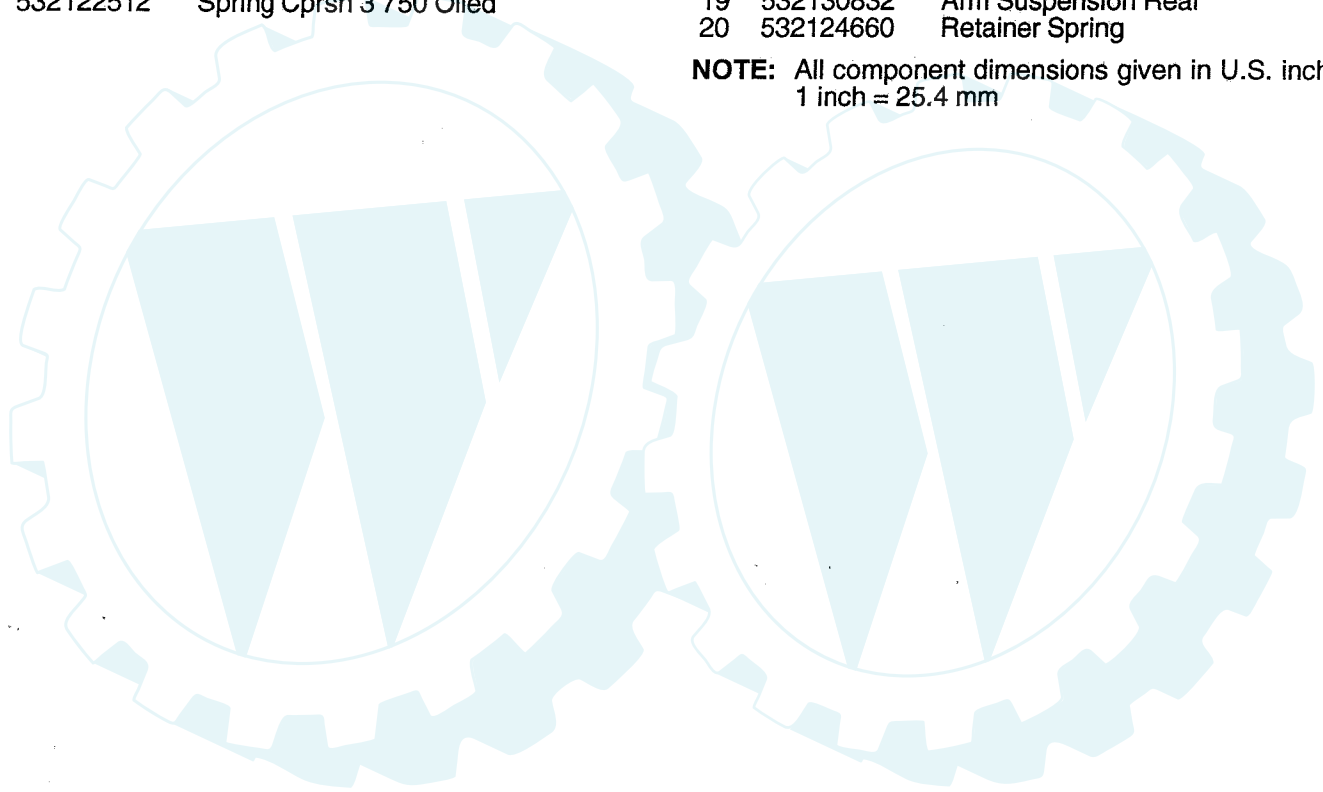
www.ersatzteil-service.de

12 HP 38" RIDING LAWN TRACTOR - - MODEL NUMBER SK1238D

MOWER LIFT

KEY NO.	PART NO.	DESCRIPTION	KEY NO.	PART NO.	DESCRIPTION
1	532136973	Wire Asm Inner W/plunger	11	532134619	Link Lift LH Fixed Length
2	532122507	Shaft Asm Lift 9 680	12	532135388	Link Lift RH Fixed Length
3	532105767	Pin Groove 1 500 Zinc	13	532124670	Retainer Spring
4	812000002	E Ring #5133-62	14	532135563	Pin Roll SLT 5/16 X 1 25 Blk O
5	819211621	Washer PLTD 21/32 X 1 X 21ga	15	532127218	Link Front
6	532120183	Bearing Nylon Blk 629 Id	16	873350800	Nut Jam Hex 1/2-13 Unc
7	532109413	Grip Handle Bicycle Matte Blk	17	532130171	Trunnion Blk Zinc
8	532124526	Button Plunger Black	18	873800800	Nut Lock W/wsh 1/2-13unc
10	532122512	Spring Cprsn 3 750 Oiled	19	532130832	Arm Suspension Rear
			20	532124660	Retainer Spring

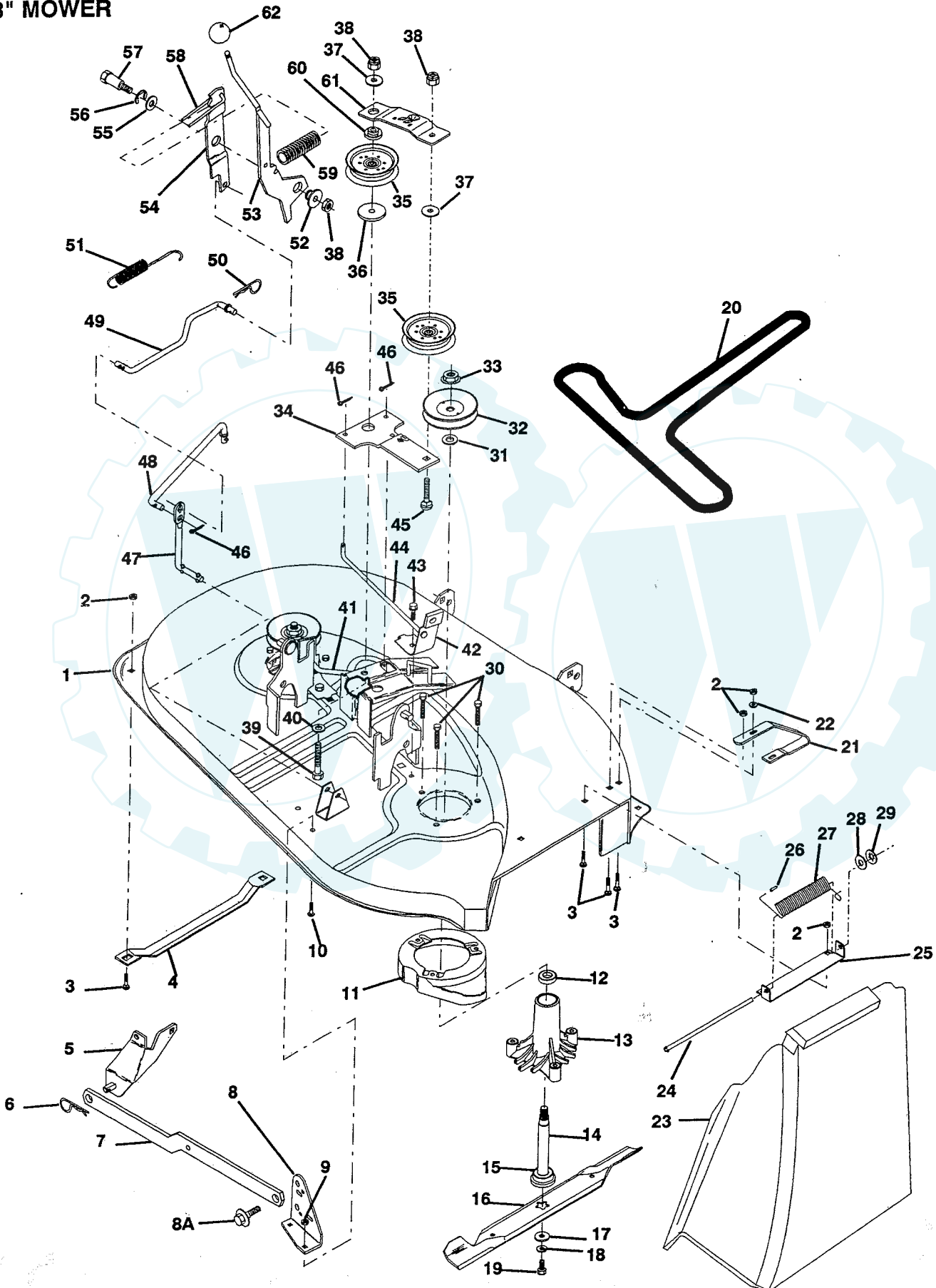
NOTE: All component dimensions given in U.S. inches.
1 inch = 25.4 mm



REPAIR PARTS

12 HP 38" RIDING LAWN TRACTOR - - MODEL NUMBER SK1238D

38" MOWER



REPAIR PARTS

www.ersatzteil-service.de

12 HP 38" RIDING LAWN TRACTOR - - MODEL NUMBER SK1238D

38" MOWER

KEY NO.	PART NO.	DESCRIPTION	KEY NO.	PART NO.	DESCRIPTION
1	532129365	Mower Asm 38"welded	33	87350900	Nut 9/16 Top Lock Fing Oil Dip
2	873680500	Nut Crown Lock 5/16-18	34	532133840	Arm Idler 38"
3	872140506	Bolt Rdhd Sqnk 5/16-18unc X3/4	35	532131494	Pulley Idler Flat 3 060
4	532125074	Runner Mower LH 10 00	36	532122052	Spacer Retainer Pm Mower
5	532138017	Bracket Asm Fr Sway Bar	37	819131612	Washer 13/32 X 1 X 12 Ga
6	532124670	Retainer Spring	38	873680600	Nut Crownlock 3/8-16 Unc
7	532130832	Arm Suspension Rear	39	874600636	Bolt Hex 3/8-16 X 2-1/4
8	532138440	Bracket Asm Deck Sway Bar	40	819131612	Washer 13/32 X 1 X 12 Ga
8a	532132827	Bolt Shoulder	41	532131289	Rod Brake Mandrel LH 4 856
9	873800500	Locknut Hex W/Ins 5/16 - 18	42	532130840	Brake Asm Mower Vented
10	872140506	Bolt Rdhd Sqnk 5/16 - 18 X 3/4	43	817490512	Screw Thdrol 5/16-18 X 3/4 TYT
11	532136929	Stripper Mower Vented	44	532131288	Rod Brake Mandrel RH 10 744
12	532110485	Bearing Ball Mandrel	45	872110614	Bolt Rdhd 3/8-16uncx1-3/4 Gr5
13	532128774	Housing Mandrel Vented	46	876020312	Pin Cotter 3/32 X 3/4 Cad
14	532133172	Shaft Asm W/lower Bearing	46	876020312	Pin Cotter 3/32 X 3/4 Cad
15	532129895	Bearing Ball #6204 (Mandrel)	47	532133551	Rod Pivot W/nibs
16	532131322	Blade 38"euro	48	532133504	Rod Clutch Secondary W/nibs
17	532129962	Washer Hard Blade Mower Vented	49	532134666	Rod Clutch Primary 38/42
18	810030600	Washer Lock Hvy 3/8 Unplated	50	532124788	Spring Retainer 1" Zinc/cad
19	532850857	Bolt 3/8 24 X 1-1/4 Gr 8 Patched	51	532131870	Spring Return
20	532131290	V-Belt Mower 88 12 Black 38"	52	532127498	Bushing 747 Od X 794 Lg Brass
21	532128772	Runner RH 38"	53	532133573	Arm Asm Clutch Primary
22	819111216	Washer 11/32 X 3/4 X 16 Ga	54	532127847	Arm Clutch Secondary
23	532106736	Shield Deflector Mower 38"blk	55	532121748	Washer 25/32 X 1-5/8 X 16 Ga
24	532106735	Rod Hinge Brt/blk Zinc 9 88 Lg	56	812000029	Ring Klip #t5304-75
25	532137607	Bracket Deflector	57	532128903	Bolt Shoulder 3/8-16 Unc 1 44
26	532105304	Cap Sleeve 80x 112 Blk Mower	58	532127845	Keeper Spring 4 000
27	532106734	Spring Deflector 4 46 Blk	59	532128759	Spring Clutch Mower 2 750 Zinc
28	819111016	Washer 11/32 X 5/8 X 16 Ga	60	532133502	Spacer Arm Idler Upper Hdn 42"
29	532110452	Nut Push Phos & Oil	61	532133503	Stiffener Arm Idler Upper 42"
30	532078158	Bolt 5/16-18 X 1 25 T/t	62	532106932	Knob Rd 3/8-16 Plstc Thds Blk
31	532129963	Washer Spacer Mower Vented	-	532136253	Deck Serv 38 Mech Vent Euro
32	532129206	Pulley Mandrel 38" Single	-	532130794	Mandrel Asm Service (Includes Key Nos. 12-15, 17-19, 31 and 33)

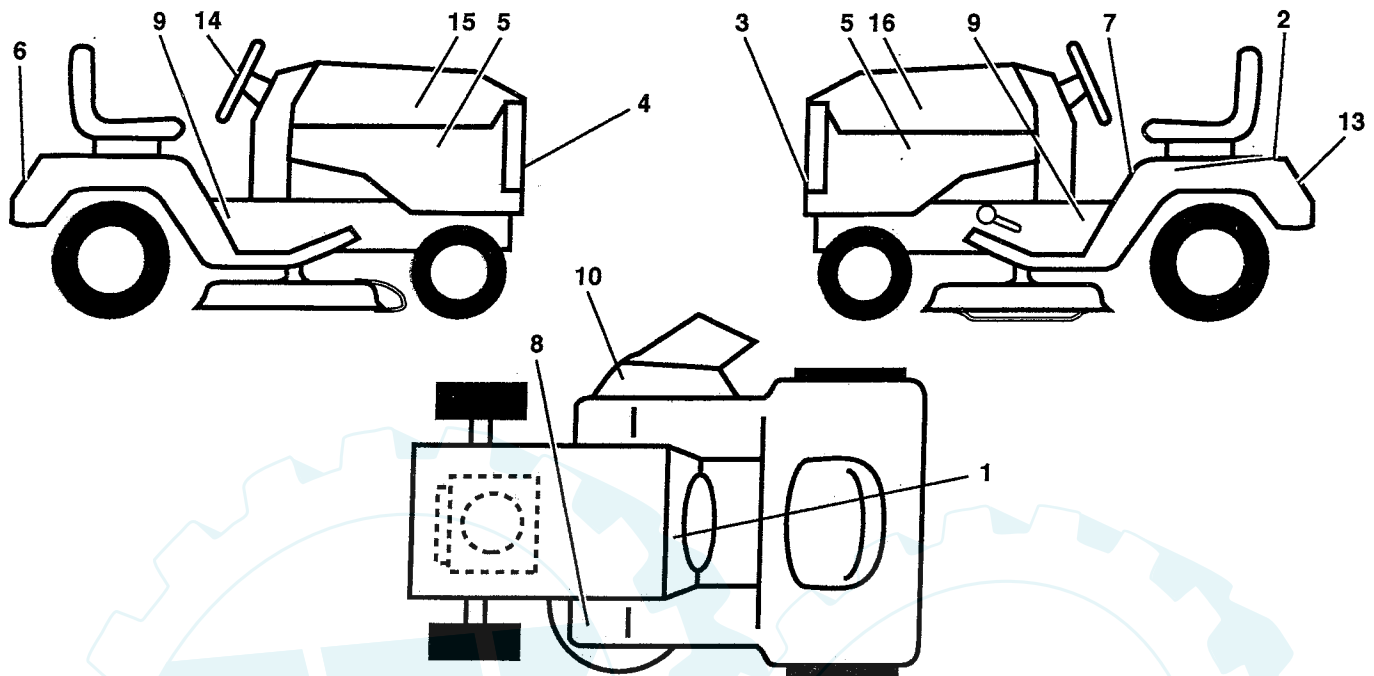
NOTE: All component dimensions given in U.S. inches.
1 inch = 25.4 mm

REPAIR PARTS

www.ersatzteil-service.de

12 HP 38" RIDING LAWN TRACTOR - - MODEL NUMBER SK1238D

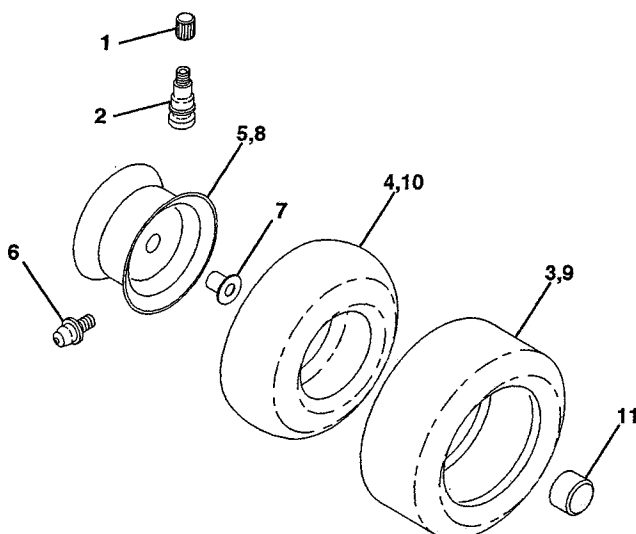
DECALS



KEY NO.	PART NO.	DESCRIPTION
1	532136795	Decal Instruction Dash Eng/fr
2	532121549	Decal Caut Bat Fr/Ger
3	532129559	Decal Grille Skandi
4	532124326	Decal Grille Stripe Yellow
5	532136082	Decal Hood 12HP 5sp
6	532129560	Decal Fender Skandi
7	532133795	Decal Caution Fender Eng/fr
8	532126676	Decal Brake/clutch S/fin/da/no
9	532127900	Decal Chassis 38"5sp
10	532137259	Decal Warning
13	532126187	Decal 100 DbA Cert Dutch/fre

KEY NO.	PART NO.	DESCRIPTION
14	532129561	Decal Strg Wheel Cap Skandi
15	532136352	Decal Hood Rh
16	532136351	Decal Hood Lh
-	532137297	Manual Parts
-	532138311	Decal Lift Handle (Lift Handle)
-	532136339	Manual Operators Scandi
Available accessories not included with tractor:		
--	CE38	Grass Catcher
--	LC05	Wheel Weighs
--	BD20	Snow Blade
--	SB20	Snow Blower
--	CH12	Tire Chains

WHEELS & TIRES



KEY NO.	PART NO.	DESCRIPTION
1	532059192	Cap Valve Tire
2	532065139	Stem Valve
3	532106222	Tire F Ts 15 X 6 0 - 6 Service
4	532059904	Tube Front (Service Item Only)
5	532125102	Rim Asm 6"front White Service
6	532124957	Fitting Grease (Front Wheel Only)
7	532124959	Bearing Flange (Front Wheel Only)
8	532124999	Rim Asm 8"rear White Service
9	532124635	Tire R Ts 18x8 5-8 C Service
10	532124926	Tube Rear (Service Item Only)
11	532104757	Cap Axle Blk 1 50 X 1 00

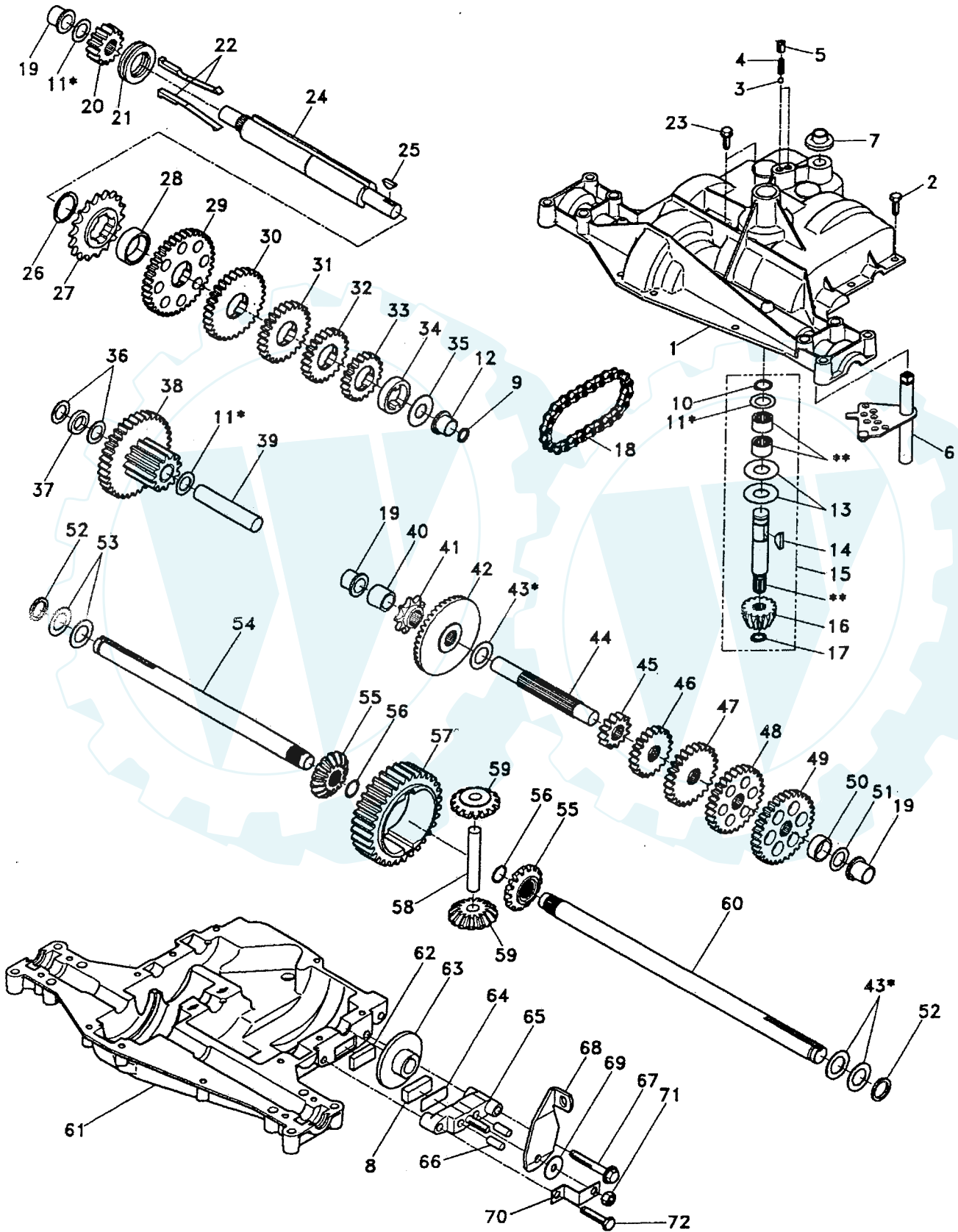
NOTE: All component dimensions given in U.S. inches.
1 inch = 25.4 mm

REPAIR PARTS

www.ersatzteil-service.de

12 HP 38" RIDING LAWN TRACTOR - - MODEL NUMBER SK1238D

FOOTE/DANA TRANSAXLE - MODEL NUMBER 4360-47



REPAIR PARTS

12 HP 38" RIDING LAWN TRACTOR - - MODEL NUMBER SK1238D

FOOTE/DANA TRANSAXLE - MODEL NUMBER 4360-47

KEY PART NO. NO.	DESCRIPTION	KEY PART NO. NO.	DESCRIPTION
1 532138248	Housing, Upper	39 532124639	Shaft, Idler
2 532002274	Screw, Self-Tapping, Large 1/4-20 x .734	40 532120472	Spacer .635 x .875 x .755
3 532134400	Ball, Detent	41 532105928	Sprocket 9 Teeth
4 532105904	Spring, Detent	42 532110084	Gear, Bevel, 42 Teeth
5 532105905	Screw, Set	43 532134394	* Assembly, Kit, Shim, .750 Shaft
6 532138235	Kit, Shifter Assembly	44 532120473	Shaft, Drive
7 532134399	Boot, Shifter	45 532105933	Gear, Spur, 12 Teeth
8 873810500	Locknut 5/16-24	46 532120407	Gear, Spur, 20 Teeth
9 532138241	Square Ring	47 532106589	Gear, Spur, 25 Teeth
10 532002267	Ring, Retaining	48 532105937	Gear, Spur, 31 Teeth
11 532134793	* Assembly, Kit, Shim .625 Shaft	49 532120523	Spacer .781 x 1.00 x .750
12 532138240	Bearing, Flange	50 532120951	Puck, Friction
13 532120415	Washer, Plain .632 x 1.38 x .046	51 532002226	Washer, Plain .632 x 1.00 x .060
14 532002257	Key, Woodruff, #9	52 532134401	Washer, Neoprene
15 532138234	Assembly, Kit, Input Shaft	53 532002264	Washer, Plain .758 x 1.25 x .031
16 532110078	Pinion, Bevel, 14 Teeth	54 532120474	Axle, L.H.
17 532105909	Ring, Retaining	55 532110081	Gear, Miter, 15 Teeth
18 532105910	Chain, 24 Pitches	56 532105941	Ring, Retaining
19 532105911	Bearing, Flange	57 532110071	Gear, Spur, 32 Teeth
20 532138242	Gear, Spur, 14 Teeth	58 532120952	Shaft, Cross
21 532138245	Collar, Clutch	59 532110082	Gear, Miter, 15 Teeth
22 532138236	Assembly, Kit, Clutch Keys	60 532120475	Axle, R.H.
23 532134791	Screw, Self-Tapping, with Sealer	61 532138247	Housing, Lower
24 532138243	Shaft, Intermediate	62 532120961	Puck, Friction
25 532002244	Key, Woodruff, #61	63 532007294	Disc, Brake
26 532105916	Ring, Retaining	64 532108989	Spacer
27 532120470	Sprocket, 18 Teeth	65 532120953	Jaw, Brake
28 532110070	Spacer	66 532120954	Pin, Dowel
29 532108977	Gear, Spur, 37 Teeth	67 532134799	Screw, Self-Tapping 5/16-18 x 2.25
30 532120405	Gear, Spur, 30 Teeth	68 532138244	Lever, Actuating
31 532108980	Gear, Spur, 25 Teeth	69 532108996	Washer, Plain .321 x 1.00 x .055
32 532134796	Gear, Spur, 19 Teeth	70 532120956	Bracket, Anti-Rotation
33 532138239	Spacer 1.133 x 1.50 x .750	71 532120416	Grease
34 532106596	Screw, Self-Tapping 5/16-18 x 1.40		
35 532105925	Washer, Plain .640 x 1.37 x .061		
36 532002232	Washer, Plain .632 x 1.00 x .026		
37 532108978	Spacer .630 x 1.00 x .169		
38 532110079	Assembly, Gear, Combination of 12 Teeth and 35 Teeth		

* Use in combinations to maintain proper clearances

** Order Key Number 15

NOTE: All component dimensions given in U.S. inches
1 inch = 25.4 mm