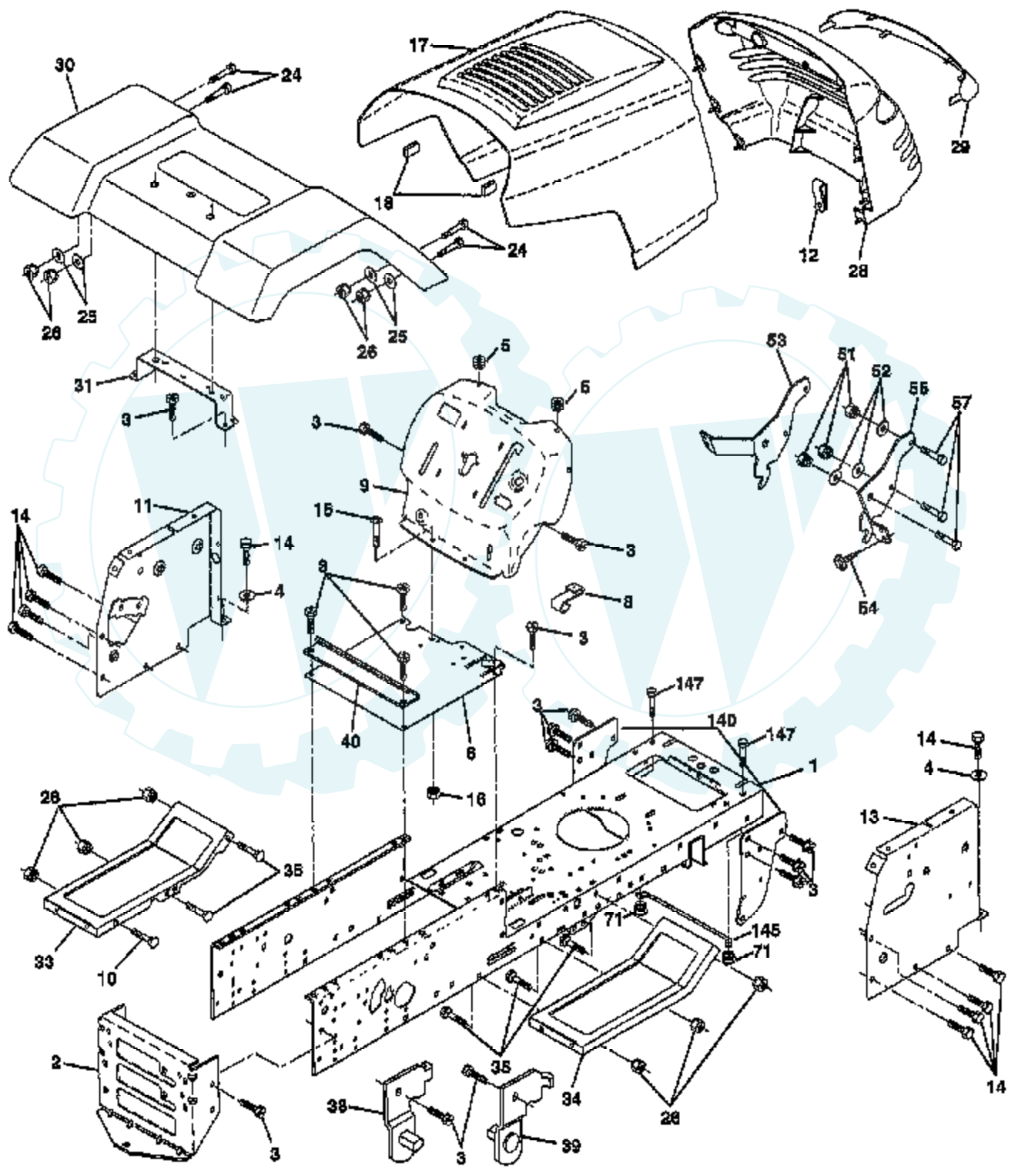


# TRACTOR -- MODEL NUMBER SE1342B

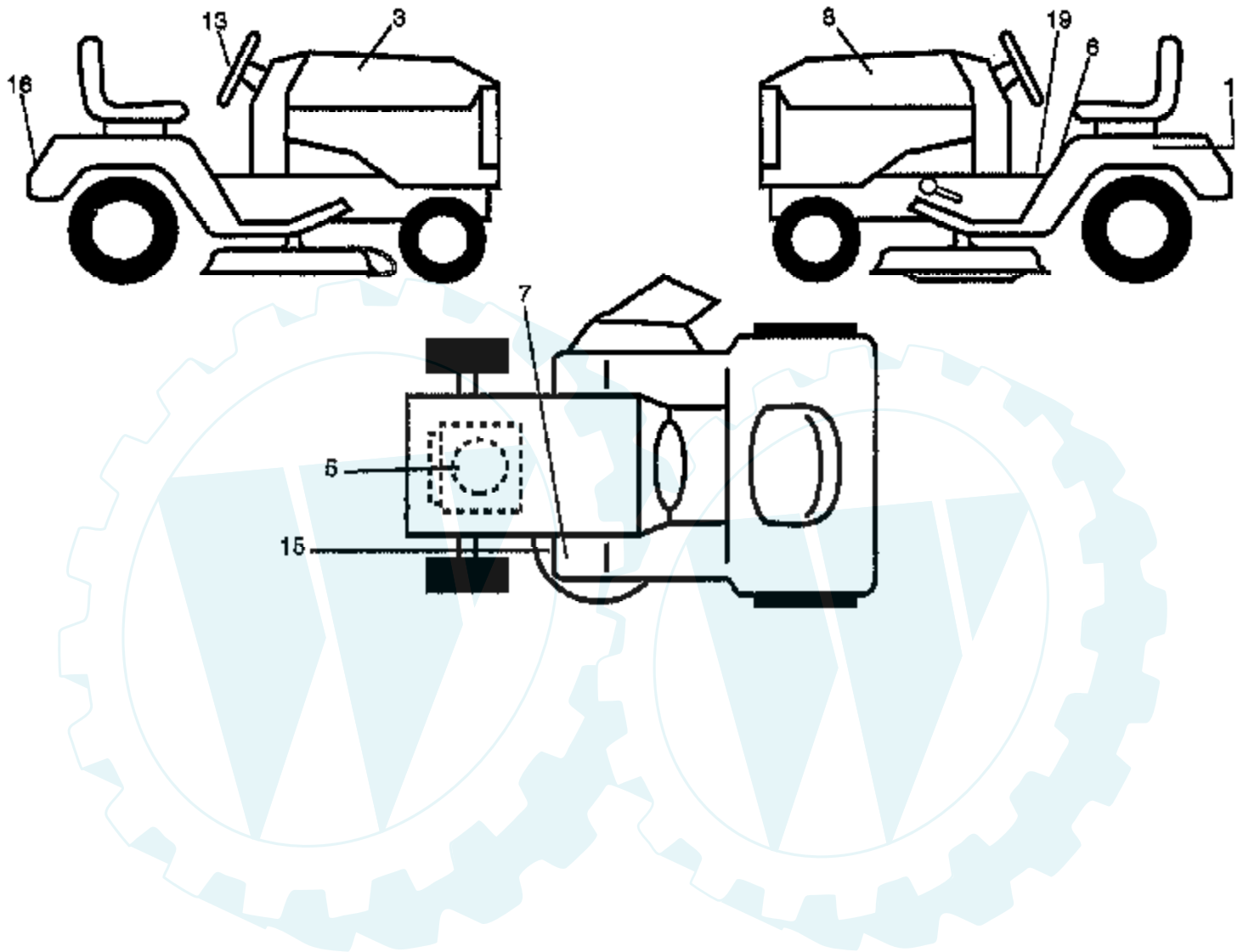
## CHASSIS AND ENCLOSURES



| Ref # | Part Number | Qty | Description             |
|-------|-------------|-----|-------------------------|
| 1     | 159530      |     | CHASSIS ASM             |
| 2     | 140356      |     | SUB= 145009             |
| 3     | 17490612    |     | SCREW                   |
| 4     | 19131216    |     | WASHER                  |
| 5     | 155272      |     | BUMPER-HOOD/DASH        |
| 6     | 155923      |     | SADDLE                  |
| 8     | 126471X     |     | "CLIP,INSULATOR"        |
| 9     | 147627X011  |     | DASH.SILKSCREENED       |
| 10    | 72140608    |     | SUB= 72110608           |
| 11    | 155927      |     | "PANEL-DASH,LH"         |
| 12    | 145660      |     | CLIP.TINNERMAN          |
| 13    | 155934X010  |     | SUB= 169117X010         |
| 14    | 17490608    |     | SCREW LT                |
| 15    | 74180512    |     | SCREW                   |
| 16    | 73510500    |     | NUT                     |
| 17    | 139394X505  |     | SUB= 159639X505         |
| 18    | 126538X     |     | MANUAL                  |
| 24    | 74780616    |     | BOLT                    |
| 25    | 19131312    |     | WASHER                  |
| 26    | 73800600    |     | NUT                     |
| 28    | 157373      |     | GRILLE-MS428            |
| 29    | 140273      |     | LENS GRILLE             |
| 30    | 147310X505  |     | FENDER LT               |
| 31    | 139976      |     | BRACKET SUPT FEND       |
| 33    | 105476X505  |     | FOOTREST LH             |
| 34    | 105475X505  |     | FOOTREST RH             |
| 35    | 72110606    |     | BOLT                    |
| 38    | 139886      |     | BRACKET ASM LH          |
| 39    | 139887      |     | BRACKET ASM RH          |
| 40    | 139977      |     | SPACER FENDER LT        |
| 51    | 73800400    |     | NUT                     |
| 52    | 19091416    |     | WASHER                  |
| 53    | 144697      |     | BRACKET.GRILLE.LH       |
| 54    | 17060814    |     | SCREW SPIDERLK #8 X 7/8 |
| 55    | 144696      |     | BRACKET.GRILLE.RH       |
| 57    | 74780412    |     | SUB= 74780414           |
| 71    | 73680400    |     | SUB= 73690400           |
| 140   | 158418      |     | BRKT SUSPENSION         |
| 145   | 156524      |     | "ROD POVOT,CHASSIS"     |
| 147   | 74760412    |     | BOLT LT                 |
|       | 5479J       |     | PLUG BUTTON T           |

## TRACTOR - - MODEL NUMBER SE1342B

### DECALS

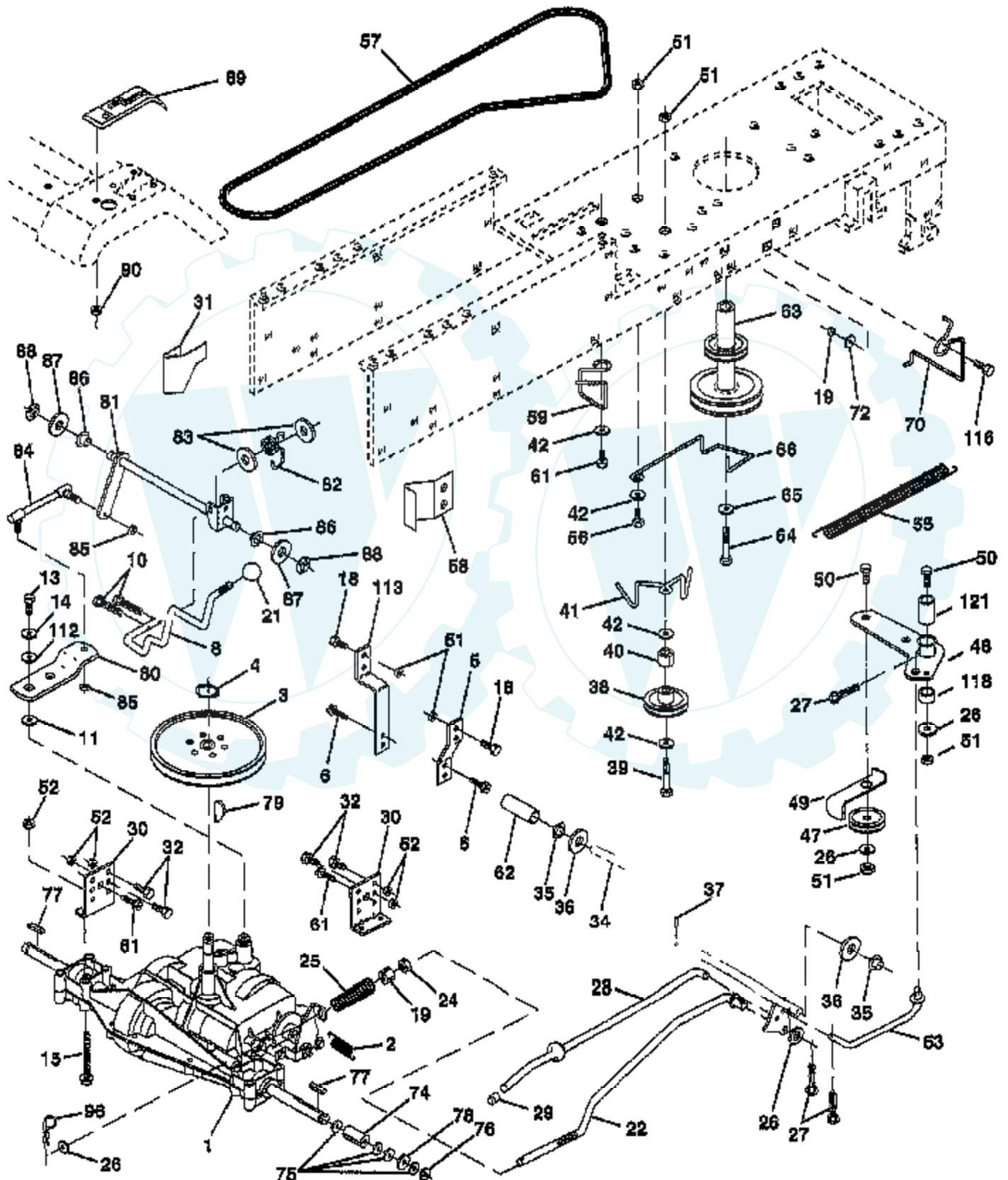


| Ref # | Part Number | Qty | Description         |
|-------|-------------|-----|---------------------|
| 1     | 145005      |     | DECAL.BATRY.3-3908  |
| 3     | 159443      |     | DECAL HOOD RH       |
| 5     | 64-1580-29  |     | DECAL ENGINE        |
| 6     | 157002      |     | "DECAL DANGER,FEND" |
| 7     | 4900J       |     | DECAL T             |
| 8     | 159508      |     | "DECAL.HOOD,LH"     |
| 13    | 159511      |     | "DECAL.INS,STRG WH" |
| 15    | 136832      |     | DECAL               |
| 16    | 159510      |     | DECAL FENDER LOGO   |
| 19    | 156867      |     | "DECAL DASH,OPER."  |
|       | 138311      |     | DECAL HANDLE LIFT   |
|       | 158124      |     | MANUAL.GENERIC.42   |
|       | 160530      |     | MANUAL.P.SE1342B    |



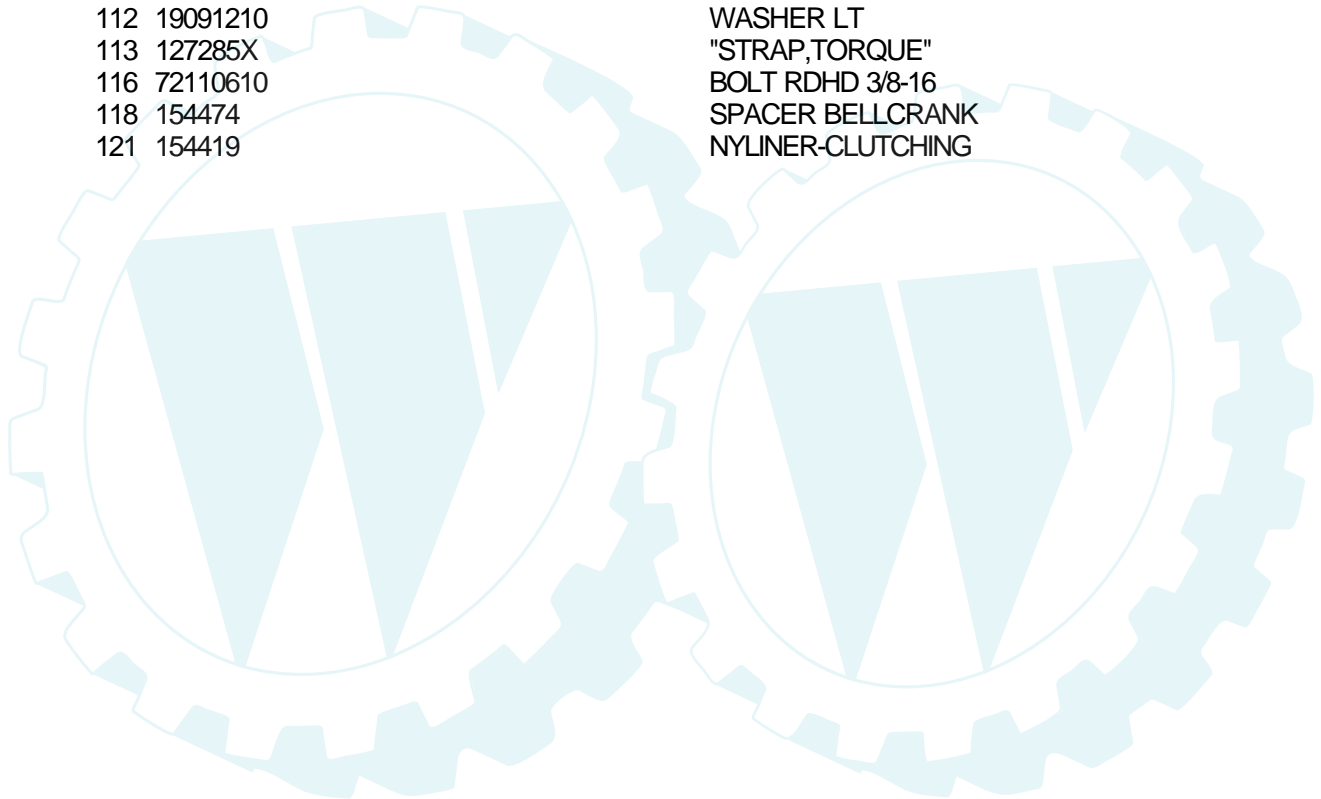
# TRACTOR - - MODEL NUMBER SE1342B

## DRIVE



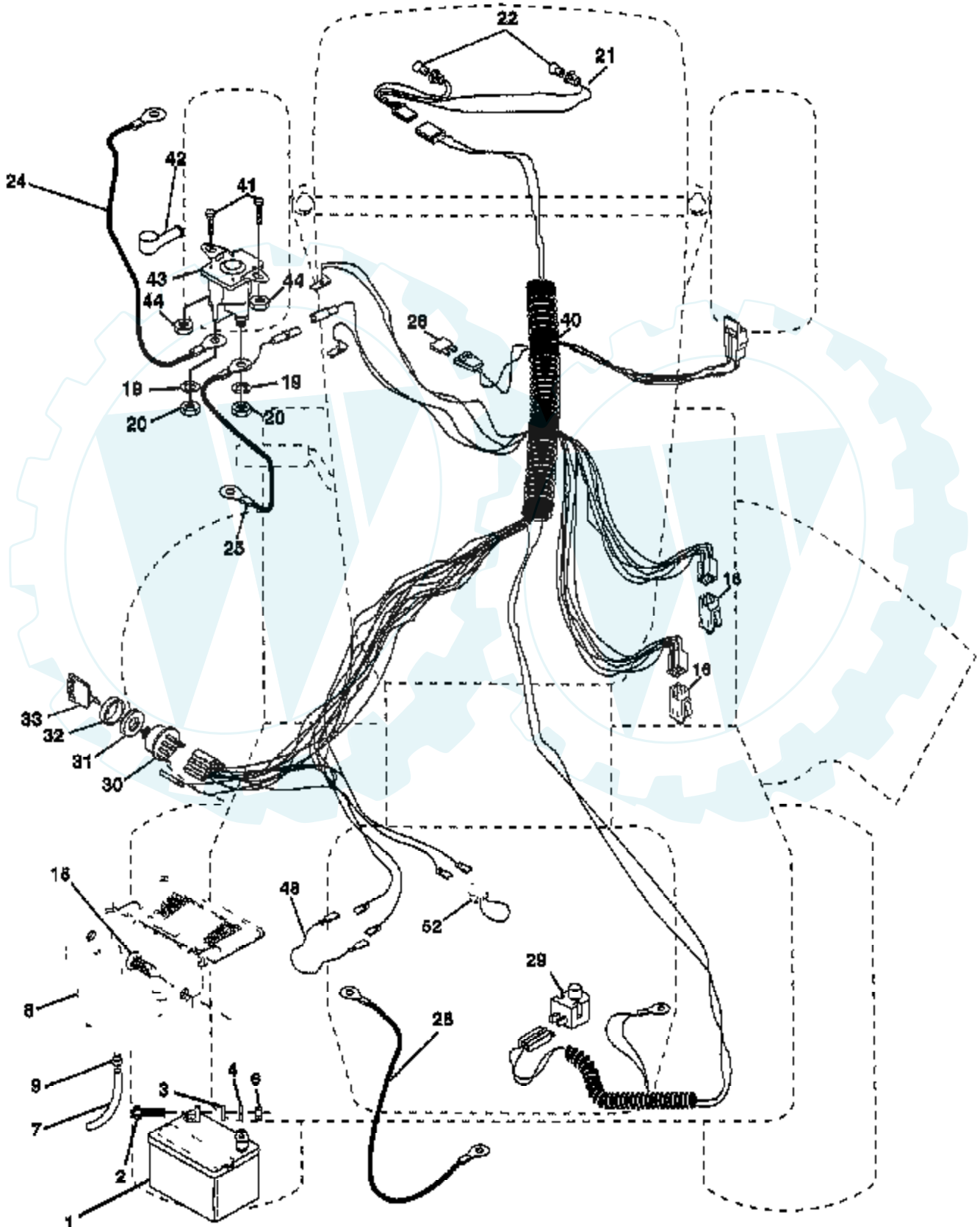
| Ref # | Part Number | Qty | Description         |
|-------|-------------|-----|---------------------|
| 1     | P930-055    |     | TRANSAXLE PEERLESS  |
| 2     | 146682      |     | SPRING.BRAKE.RETU   |
| 3     | 123666X     |     | PULLEY TRANS        |
| 4     | 12000028    |     | SUB= 2267J          |
| 5     | 121520X     |     | STRAP TORQUE        |
| 6     | 17490512    |     | SCREW               |
| 8     | 141003      |     | ROD SHIFT FEND LT   |
| 10    | 76020416    |     | PIN COTTER 1/8      |
| 11    | 105701X     |     | WASH-SHFT PLT LT    |
| 13    | 74550412    |     | BOLT.1/4-28.W/PAT   |
| 14    | 10040400    |     | LOCKWASHER          |
| 15    | 74490544    |     | BOLT.HX.FLG.5/16    |
| 18    | 74780616    |     | BOLT                |
| 19    | 73800600    |     | NUT                 |
| 21    | 106933X     |     | KNOB T (1/2-HOLE)   |
| 22    | 130804      |     | BRAKE ROD           |
| 24    | 73350600    |     | NUT                 |
| 25    | 106888X     |     | SPRING ROD LT       |
| 26    | 19131316    |     | WASHER              |
| 27    | 76020412    |     | COTTER PIN          |
| 28    | 145204      |     | ROD.BRAKE.PARK.LT   |
| 29    | 71673       |     | PLUNGER CAP T       |
| 30    | 130807      |     | TRANSAXLE MTG BKT   |
| 31    | 127275X     |     | "KEEPER,BELT LH T"  |
| 32    | 74760512    |     | BOLT                |
| 34    | 155071      |     | SHAFT ASM-PEDAL F   |
| 35    | 120183X     |     | NYLON BEARING       |
| 36    | 19211616    |     | WASHER LT           |
| 37    | 1572H       |     | SUB= 2882J          |
| 38    | 123674X     |     | PULLEY.IDLER.FLAT   |
| 39    | 74760644    |     | BOLT                |
| 40    | 4470J       |     | SPACER T            |
| 41    | 154777      |     | SUB= 165692         |
| 42    | 19131312    |     | WASHER              |
| 47    | 127783      |     | SUB= 139245         |
| 48    | 154604      |     | BELLCRANK ASM       |
| 49    | 123205X     |     | RETAIN BELT         |
| 50    | 74760624    |     | SUB= 74930624       |
| 51    | 73680600    |     | SUB= 73690600       |
| 52    | 73680500    |     | SUB= 73690500       |
| 53    | 105710X     |     | "LINK, CLUTCH T"    |
| 55    | 105709X     |     | "SPRING, RETURN LT" |
| 56    | 74760620    |     | SUB= 74780620       |
| 57    | 130801      |     | SUB= 138255         |
| 58    | 127274X     |     | "KEEPER,BELT RH T"  |
| 59    | 140312      |     | KEEPER BELT CNTSP   |
| 61    | 17490612    |     | SCREW               |
| 62    | 8883R       |     | PEDAL COVER T       |
| 63    | 140186      |     | PULLEY.ENGINE       |
| 64    | 71170764    |     | BOLT                |
| 65    | 10040700    |     | LOCKWASHER          |
| 66    | 154778      |     | KEEPER-BELT         |
| 70    | 134683      |     | KEEPER BELT ENG     |
| 72    | 19132012    |     | WASHER              |
| 74    | 137057      |     | SPACER AXLE         |
| 75    | 121749X     |     | WASHER              |
| 76    | 12000001    |     | E-RING LT           |
| 77    | 123583X     |     | SQUARE KEY          |

| Ref # | Part Number | Qty | Description          |
|-------|-------------|-----|----------------------|
| 78    | 121748X     |     | WASHER               |
| 79    | 2228M       |     | SUB= 2228M1          |
| 80    | 145090      |     | "ARM.SHIFT.20""TIRE" |
| 81    | 156049      |     | SHAFT.CROS.P930.     |
| 82    | 123782X     |     | "SPRING,TORSION"     |
| 83    | 19171216    |     | WASHER               |
| 84    | 145643      |     | "ROD.TIE.20""P930LT" |
| 85    | 150360      |     | NUT.CNT.LOCK.1/4     |
| 86    | 71208       |     | BUSHING              |
| 87    | 19212016    |     | WASHER D             |
| 88    | 12000008    |     | KLIP RING            |
| 89    | 139964      |     | SUB= 918139964       |
| 90    | 124346X     |     | NUT                  |
| 96    | 4497H       |     | RETAINER M           |
| 112   | 19091210    |     | WASHER LT            |
| 113   | 127285X     |     | "STRAP,TORQUE"       |
| 116   | 72110610    |     | BOLT RDHD 3/8-16     |
| 118   | 154474      |     | SPACER BELLCRANK     |
| 121   | 154419      |     | NYLINER-CLUTCHING    |



# TRACTOR - - MODEL NUMBER SE1342B

## ELECTRICAL

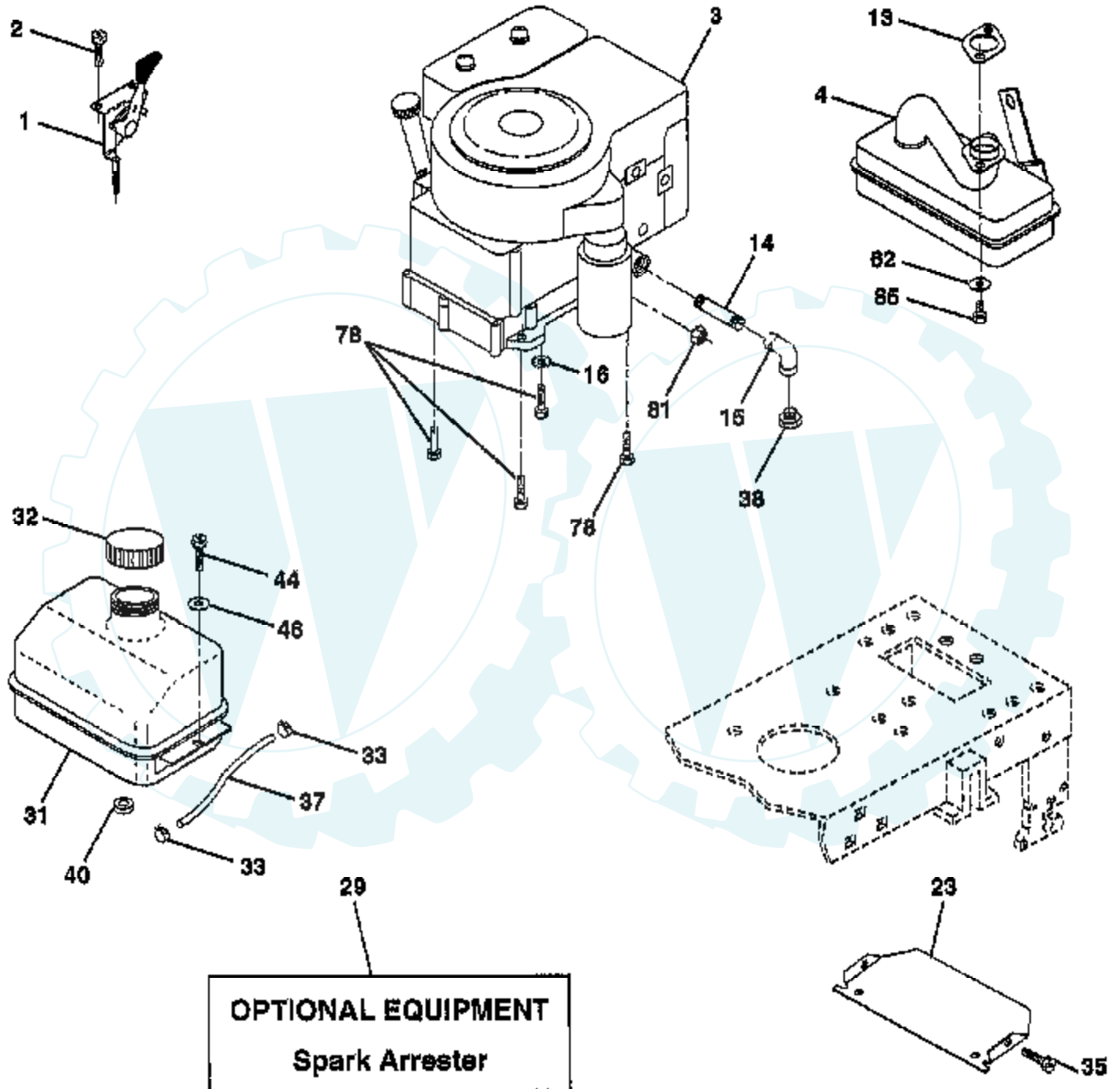




| Ref # | Part Number | Qty | Description         |
|-------|-------------|-----|---------------------|
| 1     | 144925      |     | SUB= 123899X        |
| 2     | 74760412    |     | BOLT LT             |
| 3     | 19091016    |     | WASHER              |
| 4     | 10040400    |     | LOCKWASHER          |
| 6     | 73220400    |     | SUB= 50675          |
| 7     | 109238X     |     | TUBE T              |
| 8     | 156417      |     | "CASE,BATTERY.MECH" |
| 9     | 109596X     |     | HOSE CLAMP T        |
| 15    | 147688      |     | FASTNER.SNAP-IN     |
| 16    | 153664      |     | SWITCH INTERLOCK    |
| 19    | 10090400    |     | SUB= 10040400       |
| 20    | 73350400    |     | NUT                 |
| 21    | 136850      |     | "HARNES,LIGHT SOC"  |
| 22    | 4152J       |     | HEADLAMP BULB       |
| 24    | 108423X     |     | CABLE ASM.          |
| 25    | 146147      |     | CABLE.BTRY.6GA.RD   |
| 26    | 108824X     |     | FUSE HYT            |
| 28    | 4207J       |     | CABLE T             |
| 29    | 121305X     |     | SWITCH SEAT         |
| 30    | 140301      |     | SWITCH IGN 4POS     |
| 31    | 124211X     |     | NUT IGNITION        |
| 32    | 141226      |     | COVER KEY SWITCH    |
| 33    | 122147X     |     | KEY                 |
| 40    | 156442      |     | HARNES-IGNITION     |
| 41    | 71110408    |     | BOLT HXHD FIN       |
| 42    | 131563      |     | SUB= 154336         |
| 43    | 145673      |     | SUB= 146154         |
| 44    | 73640400    |     | NUT HXKEP 1/4X20    |
| 48    | 140844      |     | ADAPTER AMMETER     |
| 52    | 141940      |     | PROTECTION LOOP     |

## TRACTOR - - MODEL NUMBER SE1342B

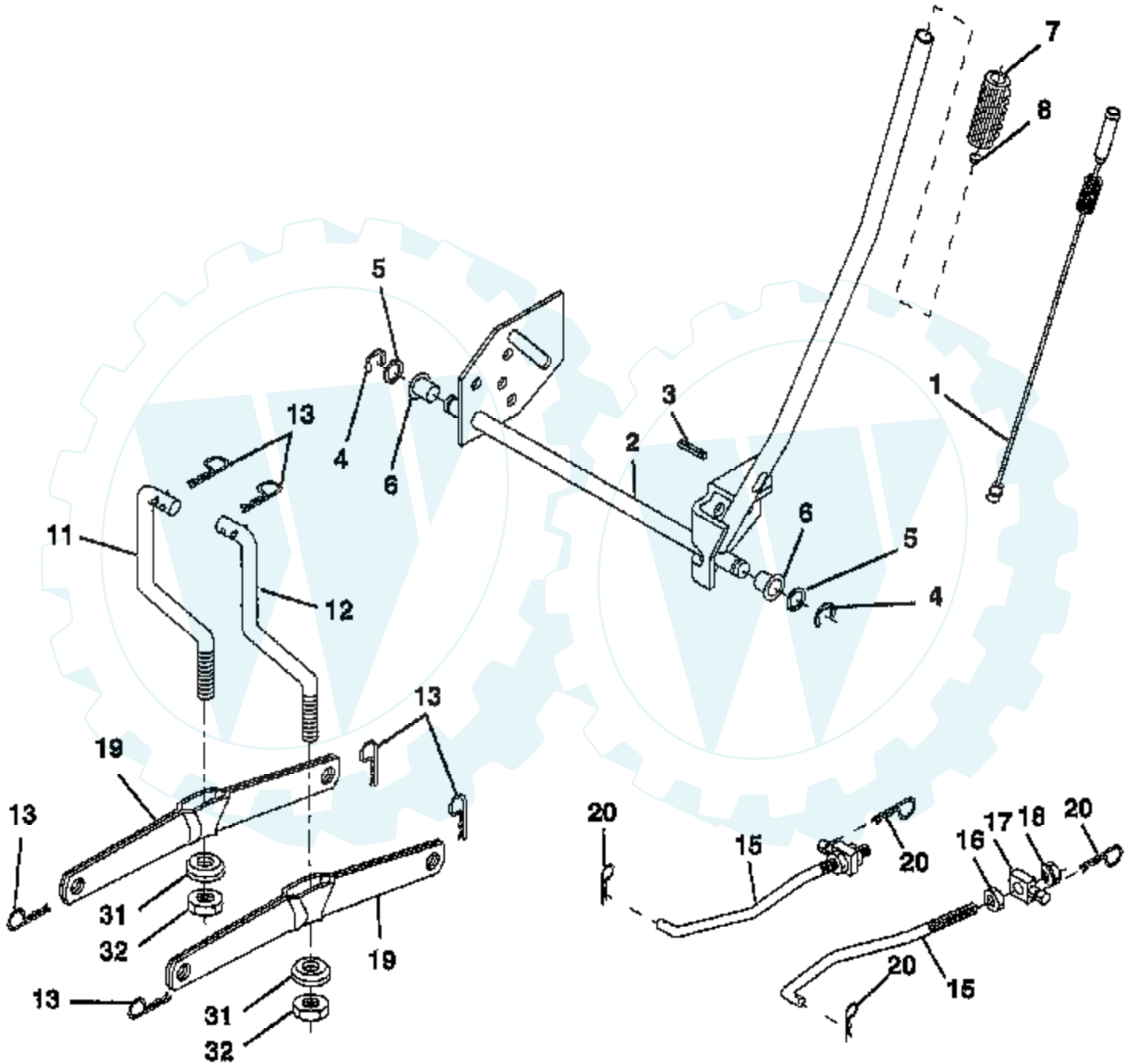
### ENGINE



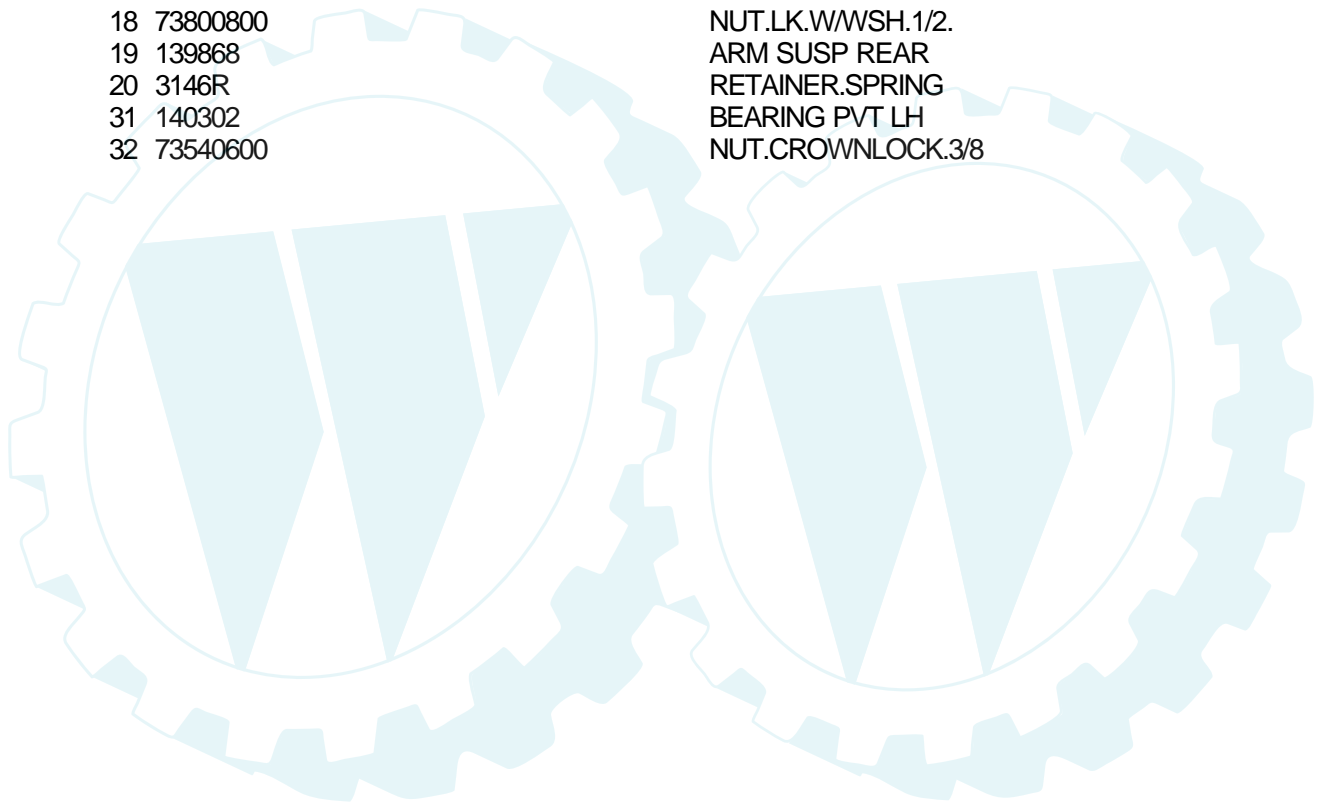
| Ref # | Part Number | Qty | Description                    |
|-------|-------------|-----|--------------------------------|
| 1     | 157626      |     | CONTROL-THROT/CHO              |
| 2     | 17720410    |     | SCREW LT                       |
| 3     |             |     | REFER TO IMAGE                 |
| 4     | 156700      |     | MUFFLER TEC. 13HP              |
| 13    | 272293      |     | GASKET ENG 1 313 LD TIN PLATED |
| 14    | 13280336    |     | PIPE NIPPLE LT                 |
| 15    | 13200300    |     | ELBOW                          |
| 16    | 11050600    |     | LOCKWASHER                     |
| 23    | 156123      |     | SHIELD-HEAT                    |
| 29    | 137180      |     | SUB= 532137180                 |
| 31    | 109202X     |     | TANK.FUEL.LT.                  |
| 32    | 140527      |     | CAP ASM FUEL                   |
| 33    | 123487X     |     | HOSE CLAMP                     |
| 35    | 17490512    |     | SCREW                          |
| 37    | 137040      |     | LINE FUEL                      |
| 38    |             |     | CHECK WITH SUPPLIER            |
| 40    | 124028X     |     | SUB= 532124028                 |
| 44    | 17490412    |     | SCREW HEX CRT                  |
| 46    | 19091416    |     | WASHER                         |
| 62    | 10040500    |     | LOCKWASHER                     |
| 78    | 17490620    |     | SCREW                          |
| 81    | 128861      |     | NUT                            |
| 85    | 123528X     |     | SCREW HEX HD CAP               |

### TRACTOR - - MODEL NUMBER SE1342B

#### LIFT



| Ref # | Part Number | Qty | Description         |
|-------|-------------|-----|---------------------|
| 1     | 159460      |     | WIRE ASM W.SPRING   |
| 2     | 159471      |     | "SHAFT ASM LIFT,RH" |
| 3     | 105767X     |     | PIN-GROOVE LT       |
| 4     | 12000002    |     | SUB= 2225J          |
| 5     | 19211621    |     | WASHER              |
| 6     | 120183X     |     | NYLON BEARING       |
| 7     | 109413X     |     | GRIP                |
| 8     | 124526X     |     | SUB= 125925X        |
| 11    | 139865      |     | SUB= 918139865      |
| 12    | 139866      |     | SUB= 151140         |
| 13    | 4939M       |     | SUB= 85902          |
| 15    | 127218      |     | LINK.FRONT          |
| 16    | 73350800    |     | NUT                 |
| 17    | 130171      |     | TRUNION             |
| 18    | 73800800    |     | NUT.LK.W/WSH.1/2.   |
| 19    | 139868      |     | ARM SUSP REAR       |
| 20    | 3146R       |     | RETAINER.SPRING     |
| 31    | 140302      |     | BEARING PVT LH      |
| 32    | 73540600    |     | NUT.CROWNLOCK.3/8   |





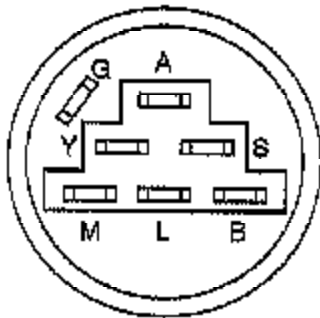
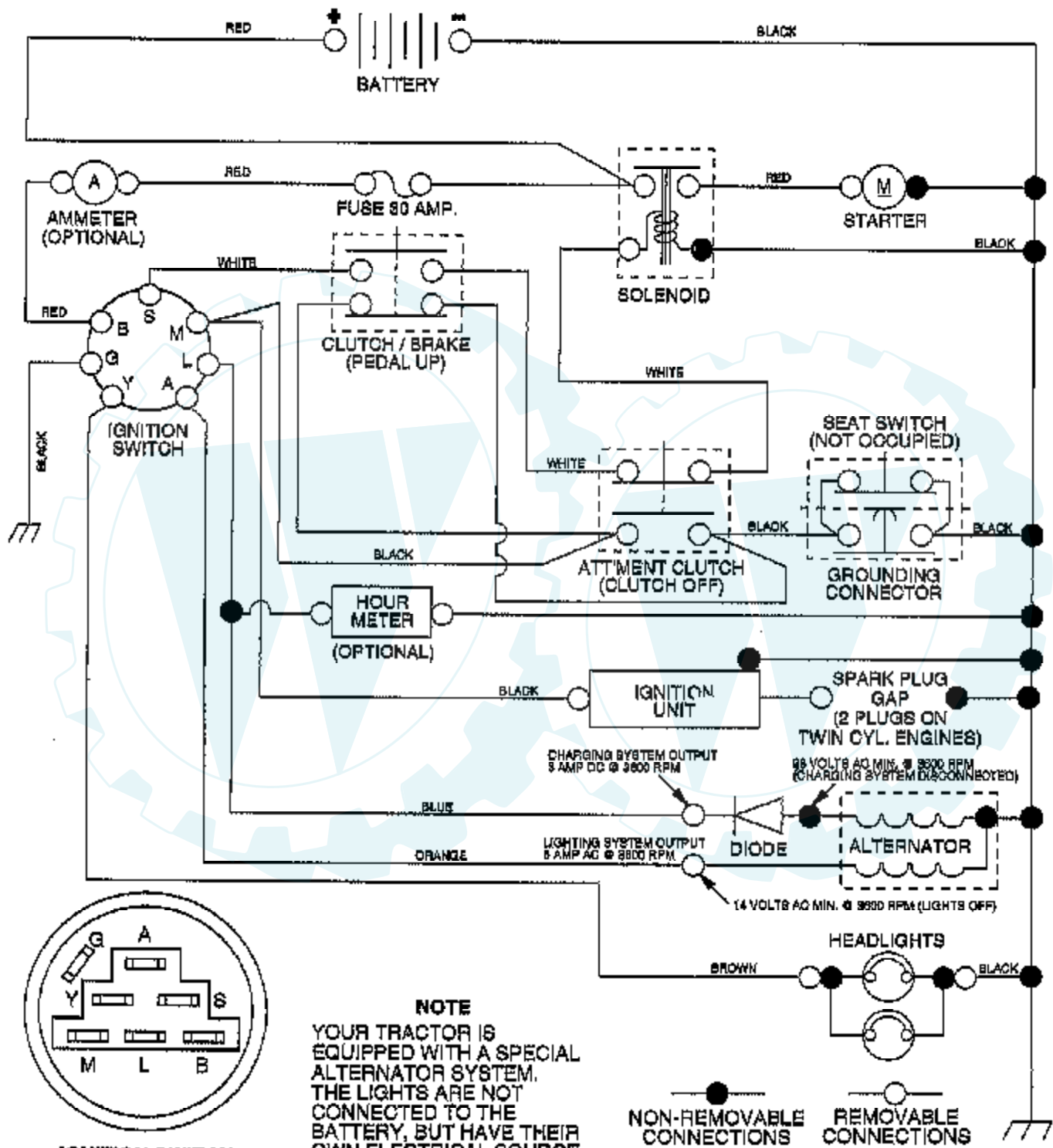
| Ref # | Part Number | Qty | Description         |
|-------|-------------|-----|---------------------|
| 1     | 144393      |     | DECK.WELD.42.       |
| 2     | 72140506    |     | BOLT                |
| 3     | 138017      |     | BRKT ASM SWAY BAR   |
| 4     | 138440      |     | BRKT DECK SW BAR    |
| 5     | 4939M       |     | SUB= 85902          |
| 6     | 130832      |     | SUB= 130833         |
| 8     | 850857      |     | BLADE BOLT          |
| 9     | 10030600    |     | SUB= 10040600       |
| 10    | 140296      |     | WASHER.HARD.BLADE   |
| 11    | 138498      |     | "BLADE.42"" HIPERF" |
| 12    | 129895      |     | BEARING.BALL        |
| 13    | 137645      |     | SUB= 137646         |
| 14    | 128774      |     | HSG ASM MANDREL     |
| 15    | 110485X     |     | BEARING             |
| 16    | 140329      |     | STRIPPER RND MWR    |
| 17    | 72110610    |     | BOLT RDHD 3/8-16    |
| 18    | 72140505    |     | BOLT                |
| 19    | 132827      |     | BOLT SHD 5/16-18    |
| 20    | 136888      |     | SUB= 918136888      |
| 21    | 73680500    |     | SUB= 73690500       |
| 22    | 134753      |     | STIFFENER BRKT      |
| 23    | 131267      |     | DEFLECTOR BRKT      |
| 24    | 105304X     |     | CAP-SLEEVE LT       |
| 25    | 123713X     |     | SPRING TORSION      |
| 26    | 110452X     |     | NUT PUSH M          |
| 27    | 130968      |     | DEFLECTOR.SHIELD    |
| 28    | 19111016    |     | WASHER              |
| 29    | 131491      |     | HINGE ROD           |
| 30    | 157722      |     | "SCREW-THD ROLL,WA" |
| 31    | 129963      |     | WASHER              |
| 32    | 153535      |     | PULLEY.MANDREL.42   |
| 33    | 137266      |     | SUB= 139729         |
| 34    | 72110614    |     | BOLT                |
| 35    | 133835      |     | XMAS TREE FASTNER   |
| 36    | 131494      |     | FLAT IDLER PULLEY   |
| 37    | 19131316    |     | WASHER              |
| 40    | 73680600    |     | SUB= 73690600       |
| 41    | 133551      |     | PIVOT ROD           |
| 43    | 140083      |     | ROD CLUTCH W/NIBS   |
| 44    | 140088      |     | GUARD MAND LH BLK   |
| 45    | 4497H       |     | RETAINER M          |
| 46    | 137729      |     | SCREW.1/4-20X5/8    |
| 48    | 133944      |     | HARD SMALL WASHER   |
| 49    | 155066      |     | ROLLER ASM-CAM      |
| 50    | 131340      |     | SHOULDER BOLT       |
| 51    | 69180       |     | LOCKNUT             |
| 52    | 139888      |     | BOLT.SHLD.5/16-18   |
| 53    | 131845X900  |     | SUB= 131845         |
| 54    | 133943      |     | HARDENED WASHER     |
| 55    | 155046      |     | ARM-IDLER           |
| 56    | 122052X     |     | SPACER RETAINER     |
| 58    | 140086      |     | SPRING TORSN BRAK   |
| 59    | 141043      |     | GUARD IDLER TUV     |
| 67    | 106932X     |     | KNOB T(3/8 HOLE)    |
| 68    | 144200      |     | BELT.V.T-PATH       |
| 71    | 142427      |     | ROD CLUTCH 38/42    |
| 72    | 131870      |     | RETURN SPRING       |
| 73    | 127847      |     | CLUTCH ARM SECOND   |

| Ref # | Part Number | Qty | Description         |
|-------|-------------|-----|---------------------|
| 74    | 121748X     |     | WASHER              |
| 75    | 12000029    |     | RING                |
| 76    | 128903      |     | SHOULDER BOLT       |
| 77    | 127845      |     | SPRING KEEPER       |
| 78    | 154809      |     | LEVER ASM-CLUTCH    |
| 79    | 127498      |     | BUSHING             |
| 80    | 153701      |     | SPRING.CLUTCH.MWR   |
| 81    | 73350600    |     | NUT                 |
| 82    | 142028      |     | TRUNION ADJ         |
| 83    | 120958X     |     | WASHER              |
| 84    | 156084      |     | "KEEPER-BELT,FIXED" |
| 85    | 72140618    |     | BOLT RDHD 3/8-16    |
| 92    | 73800600    |     | NUT                 |
| 111   | 155197      |     | BRACKET.GWHL.LH.    |
| 112   | 155198      |     | BRACKET.GWHL.RH.    |
| 113   | 17490512    |     | SCREW               |
| 114   | 73510500    |     | NUT                 |
| 115   | 72110504    |     | SUB= 872110504      |
| 116   | 4898H       |     | BOLT M              |
| 117   | 105455X     |     | WHEEL.GAGE.BLK.PL   |
| 118   | 73930600    |     | LOCKNUT             |
| 119   | 19121414    |     | WASHER              |
| 120   | 19171512    |     | WASHER              |
| 121   | 143723      |     | BRACKET.EXTRD.GWL   |
| 128   | 153390      |     | WASHER.FELT.        |
| 132   | 19132203    |     | WASHER GT           |
|       | 130794      |     | MANDREL ASM         |
|       | 144783      |     | SUB= 164962         |



## TRACTOR -- MODEL NUMBER SE1342B

### SCHEMATIC



**IGNITION SWITCH**

| POSITION  | CIRCUIT   | "MAKE" |
|-----------|-----------|--------|
| OFF       | G + M + L | NONE   |
| RUN/LIGHT | B + L     | A + Y  |
| RUN       | B + L     | NONE   |
| START     | B + L + S | NONE   |

**NOTE**  
YOUR TRACTOR IS EQUIPPED WITH A SPECIAL ALTERNATOR SYSTEM. THE LIGHTS ARE NOT CONNECTED TO THE BATTERY, BUT HAVE THEIR OWN ELECTRICAL SOURCE. BECAUSE OF THIS, THE BRIGHTNESS OF THE LIGHTS WILL CHANGE WITH ENGINE SPEED. AT IDLE THE LIGHTS WILL DIM. AS THE ENGINE IS SPEEDED UP, THE LIGHTS WILL BECOME THEIR BRIGHTEST.

NON-REMOVABLE CONNECTIONS      REMOVABLE CONNECTIONS

**WIRING INSULATED CLIPS**  
**NOTE:** IF WIRING INSULATED CLIPS WERE REMOVED FOR SERVICING OF UNIT, THEY SHOULD BE REPLACED TO PROPERLY SECURE YOUR WIRING.

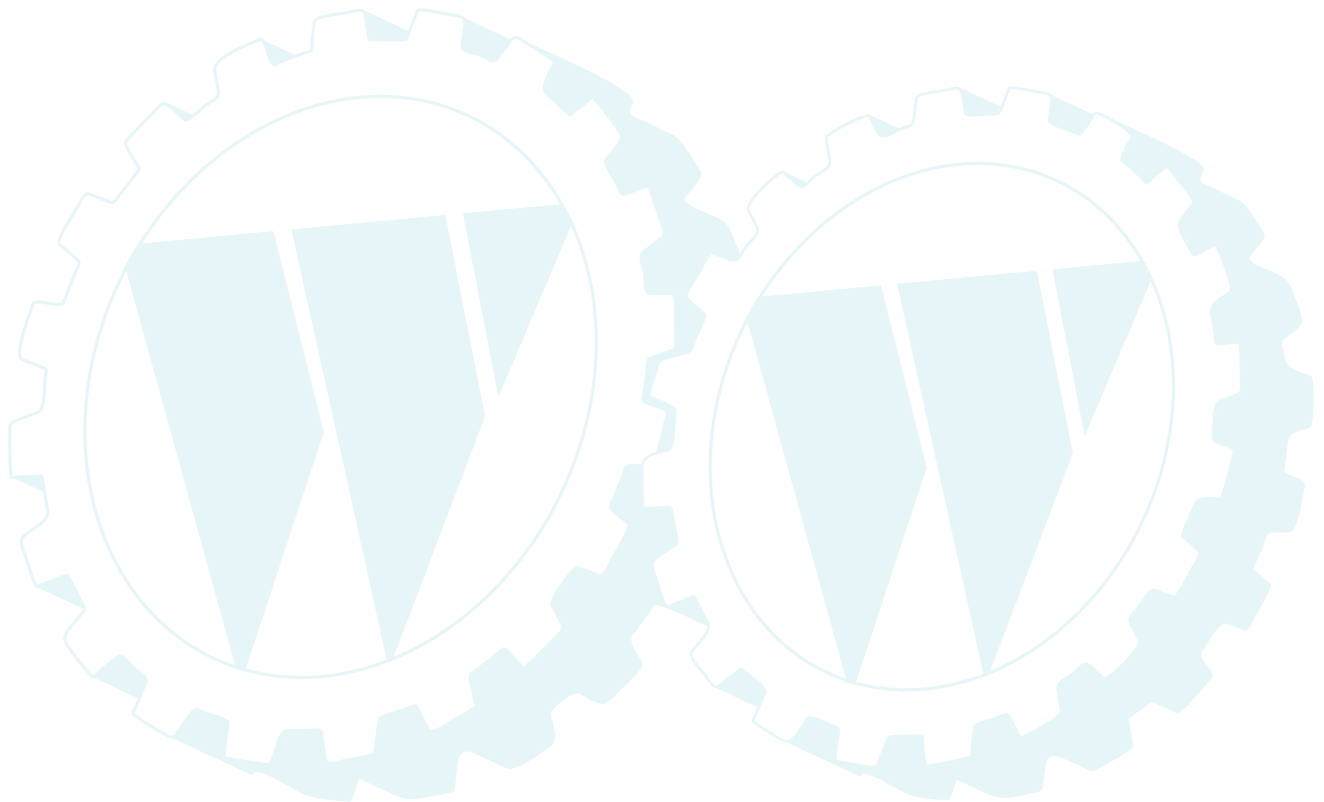
---

Ref # Part Number

Qty Description

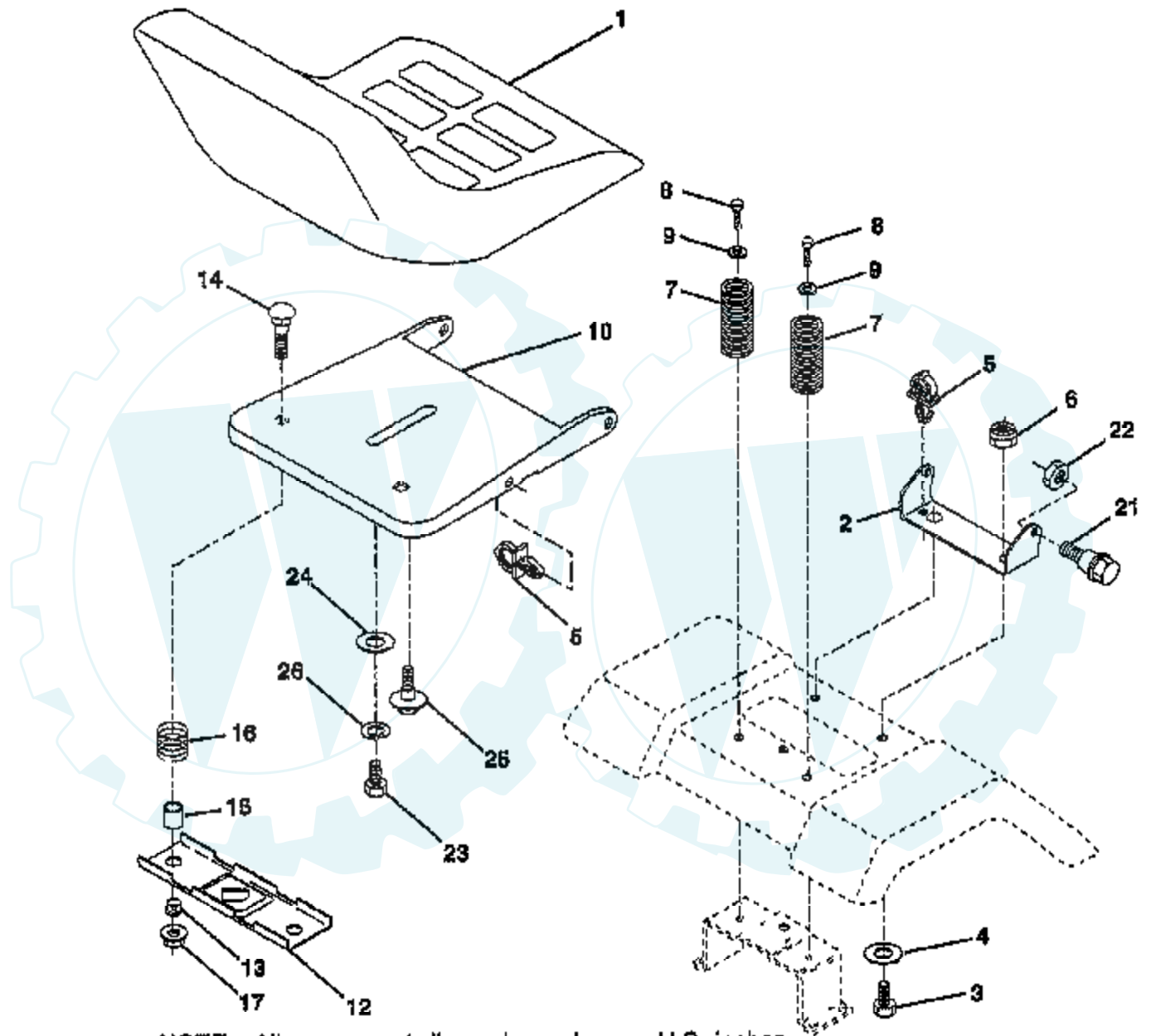
REFER TO IMAGE

---



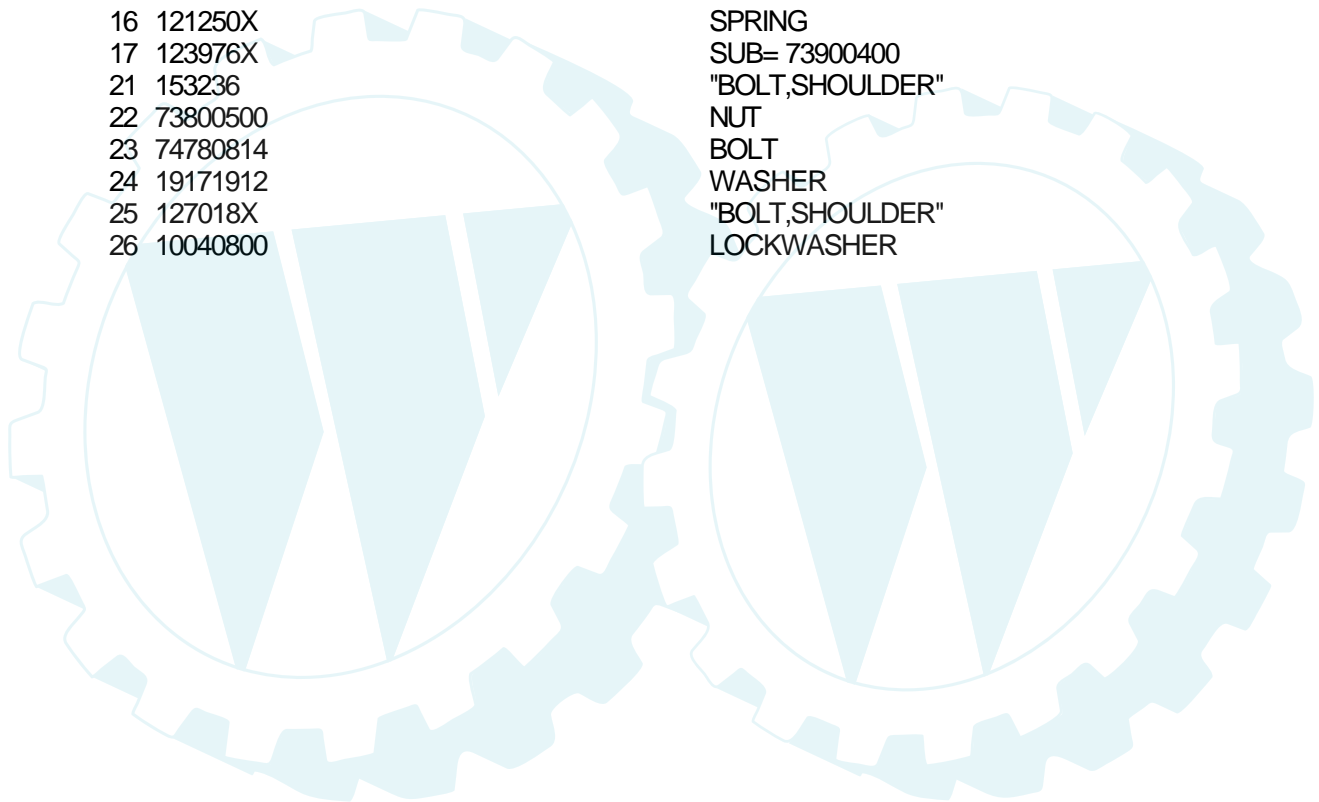
## TRACTOR - - MODEL NUMBER SE1342B

### SEAT ASSEMBLY



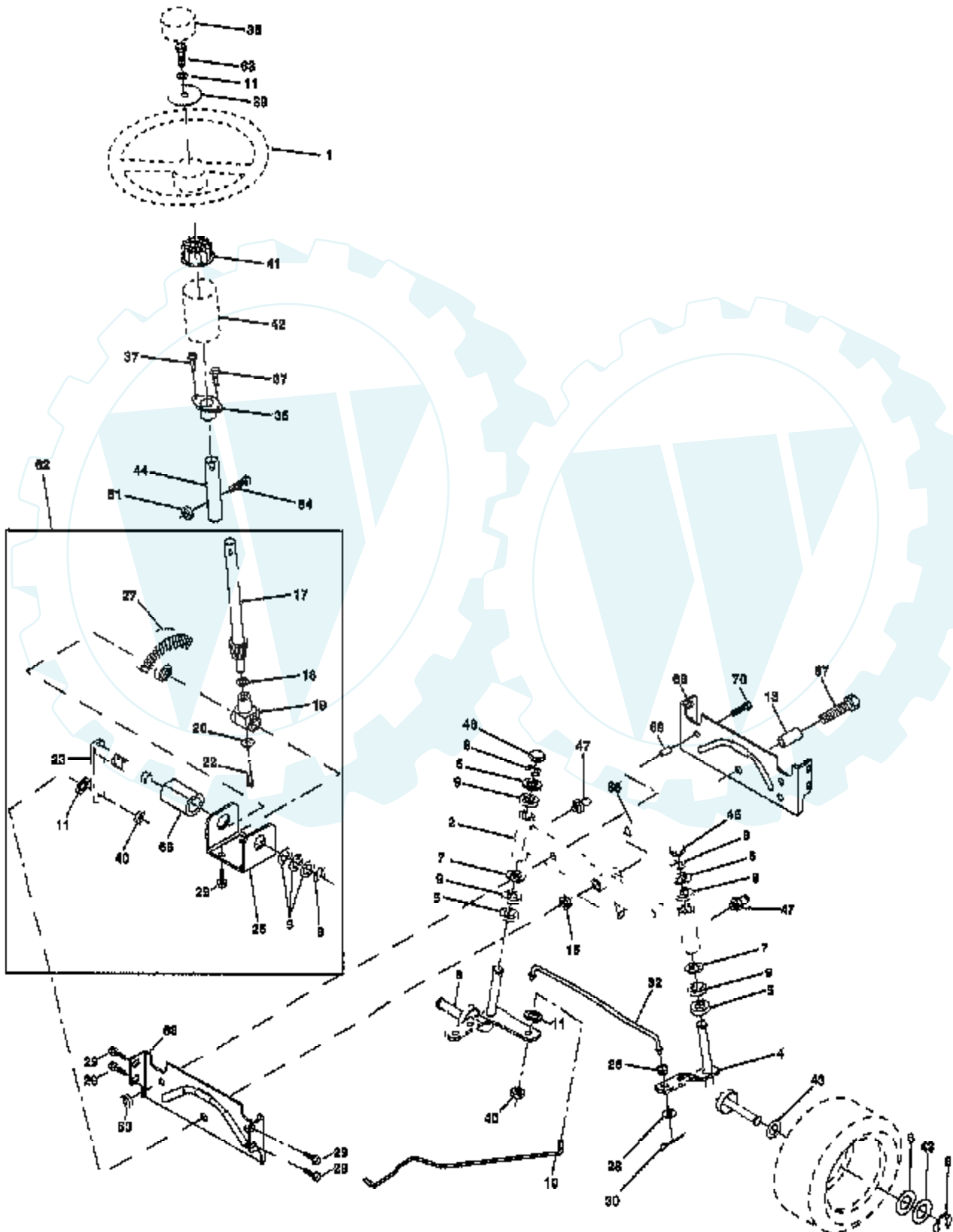
**NOTE:** All component dimensions given in U.S. inches  
1 inch = 25.4 mm.

| Ref # | Part Number | Qty | Description       |
|-------|-------------|-----|-------------------|
| 1     | 140119      |     | SEAT.3300.BLK/BLK |
| 2     | 140551      |     | BRACKET PVT SEAT  |
| 3     | 74760616    |     | BOLT              |
| 4     | 19131610    |     | WASHER PM         |
| 5     | 145006      |     | CLIP.PUSH-IN.HING |
| 6     | 73800600    |     | NUT               |
| 7     | 124181X     |     | SPRING COMPRESSIO |
| 8     | 17490616    |     | SCREW GTV         |
| 9     | 19131614    |     | WASHER            |
| 10    | 155925      |     | PAN-SEAT          |
| 12    | 121246X     |     | BRKT SWITCH       |
| 13    | 121248X     |     | BUSHING           |
| 14    | 72050411    |     | SUB= 872050411    |
| 15    | 134300      |     | SPLIT SPACER      |
| 16    | 121250X     |     | SPRING            |
| 17    | 123976X     |     | SUB= 73900400     |
| 21    | 153236      |     | "BOLT,SHOULDER"   |
| 22    | 73800500    |     | NUT               |
| 23    | 74780814    |     | BOLT              |
| 24    | 19171912    |     | WASHER            |
| 25    | 127018X     |     | "BOLT,SHOULDER"   |
| 26    | 10040800    |     | LOCKWASHER        |



# TRACTOR -- MODEL NUMBER SE1342B

## STEERING ASSEMBLY

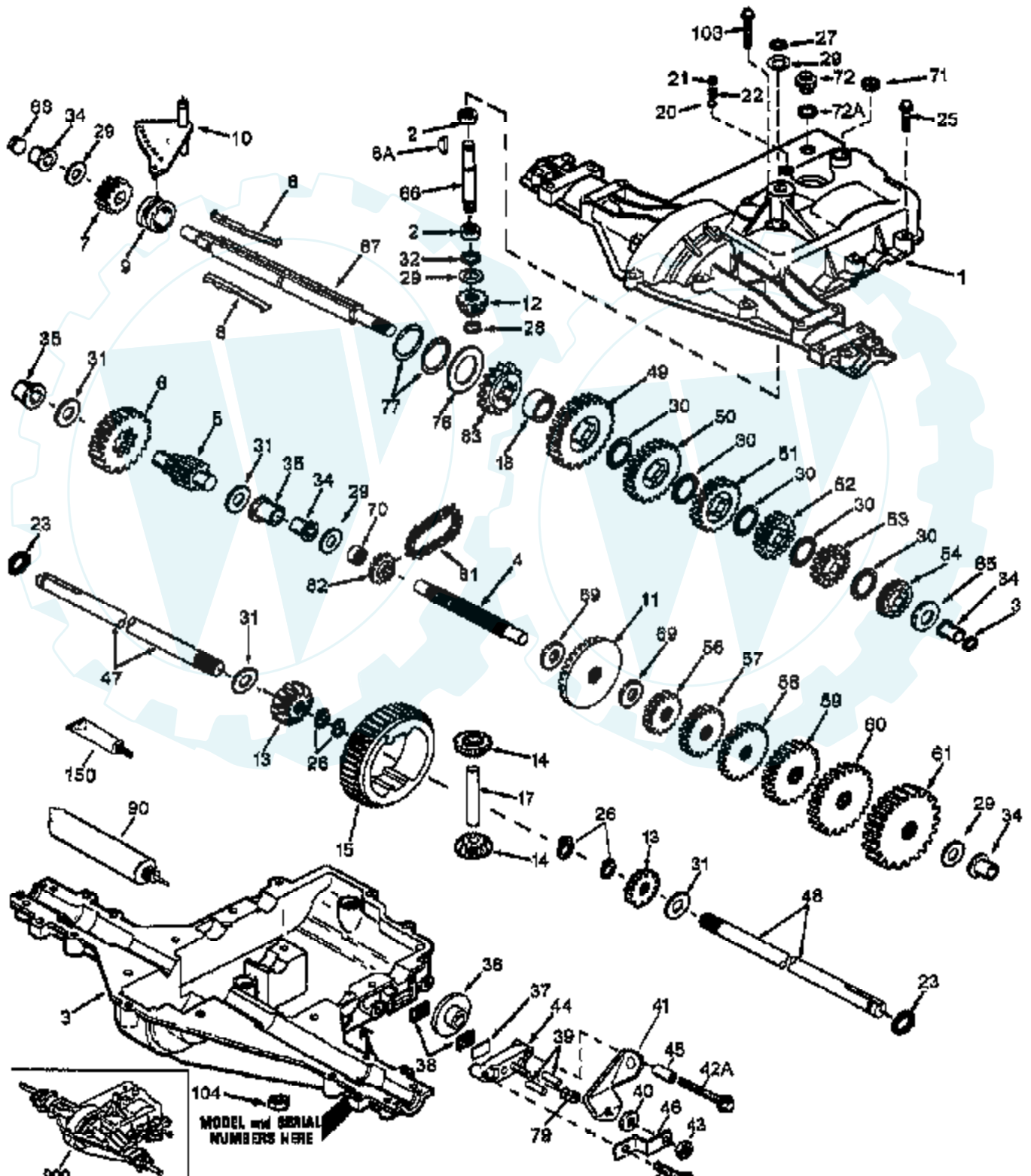


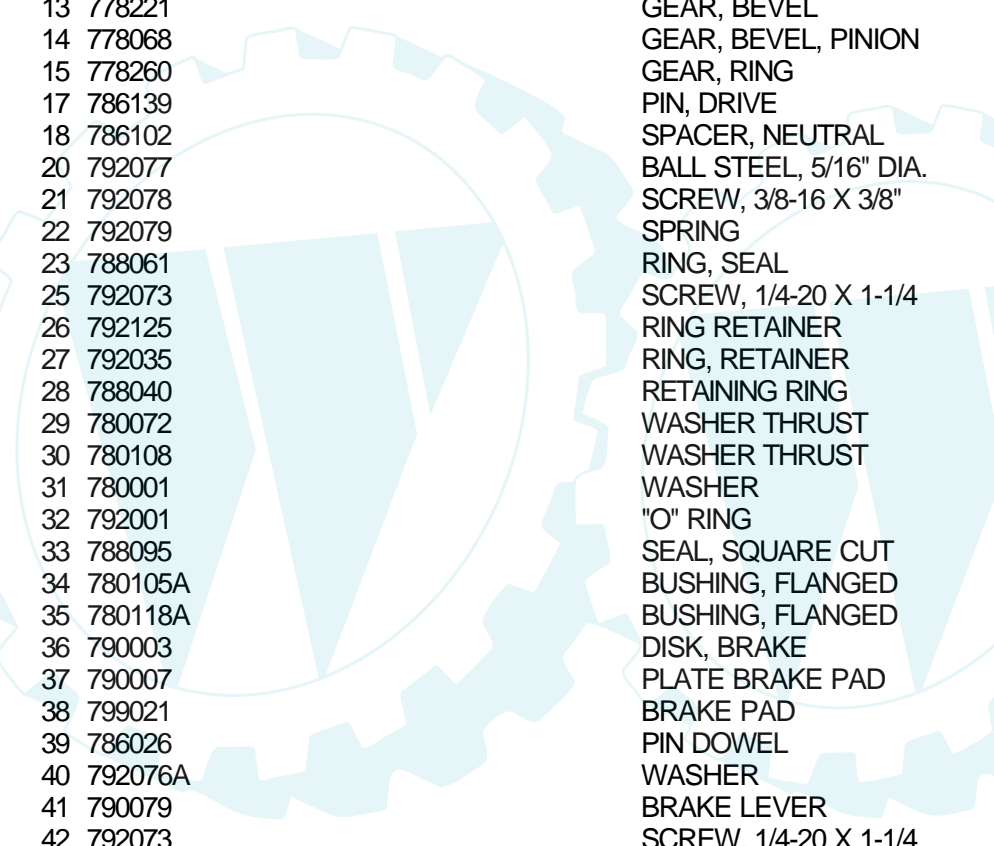


| Ref # | Part Number | Qty | Description         |
|-------|-------------|-----|---------------------|
| 1     | 140044      |     | WHEEL STR AYP BLK   |
| 2     | 154427      |     | AXLE ASM            |
| 3     | 156483      |     | SPINDLE.ASM.LH      |
| 4     | 157473      |     | "SPINDLE ASM,RH"    |
| 5     | 6266H       |     | WASHER .T           |
| 6     | 121748X     |     | WASHER              |
| 7     | 19272016    |     | WASHER              |
| 8     | 12000029    |     | RING                |
| 9     | 3366R       |     | COL. SRTG. BEAR.    |
| 10    | 156438      |     | DRAGLINK-STAMPED    |
| 11    | 10040600    |     | LOCKWASHER          |
| 13    | 154779      |     | BEARING AXLE        |
| 15    | 73901000    |     | "NUT-LOC,FLANGE LT" |
| 17    | 156546      |     | SHAFT ASM STEERIN   |
| 18    | 57079       |     | THRUST WASHER       |
| 19    | 124035X     |     | SUPPORT.SHAFT       |
| 20    | 126684X     |     | SUB= 532126684      |
| 22    | 71200410    |     | SCREW HEX SOC1/4-   |
| 23    | 127501      |     | SUB= 918127501      |
| 25    | 154406      |     | BRKT-STEERING       |
| 26    | 126847X     |     | BUSHING.DRAGLINK    |
| 27    | 136874      |     | GEAR SECTOR         |
| 28    | 19131416    |     | WASHER              |
| 29    | 17490612    |     | SCREW               |
| 30    | 76020412    |     | COTTER PIN          |
| 32    | 130465      |     | TIE ROD             |
| 36    | 155099      |     | BUSHING.STEERING    |
| 37    | 152927      |     | "SCREW-TT,10-32 FL" |
| 38    | 140045      |     | CAP STEER AYP       |
| 39    | 19133808    |     | WASHER T            |
| 40    | 7810H       |     | GRIPCO NUT          |
| 41    | 100711L     |     | ADAPTER LT          |
| 42    | 145054      |     | BOOT.STEER.PL       |
| 43    | 121749X     |     | WASHER              |
| 44    | 153720      |     | EXT SHAFT STEERIN   |
| 46    | 121232X     |     | CAP                 |
| 47    | 6855M       |     | ZERK M              |
| 51    | 73800500    |     | NUT                 |
| 53    | 73680600    |     | SUB= 73690600       |
| 54    | 74780520    |     | BOLT                |
| 62    | 156594      |     | KIT STEERING ASM    |
| 63    | 74780616    |     | BOLT                |
| 65    | 154780      |     | SPACER AXLE         |
| 66    | 154404      |     | "BEARING-ARM,PITMA" |
| 67    | 74781044    |     | BOLT                |
| 68    | 154429      |     | BRACE AXLE          |
| 69    | 160367      |     | "SPACER BRCAE,AXLE" |
| 70    | 74780636    |     | BOLT.HEX.3/8-16X2   |

# TRACTOR -- MODEL NUMBER SE1342B TRANSAXLE PEERLESS - MODEL NUMBER 930-055A

## TRANSAXLE

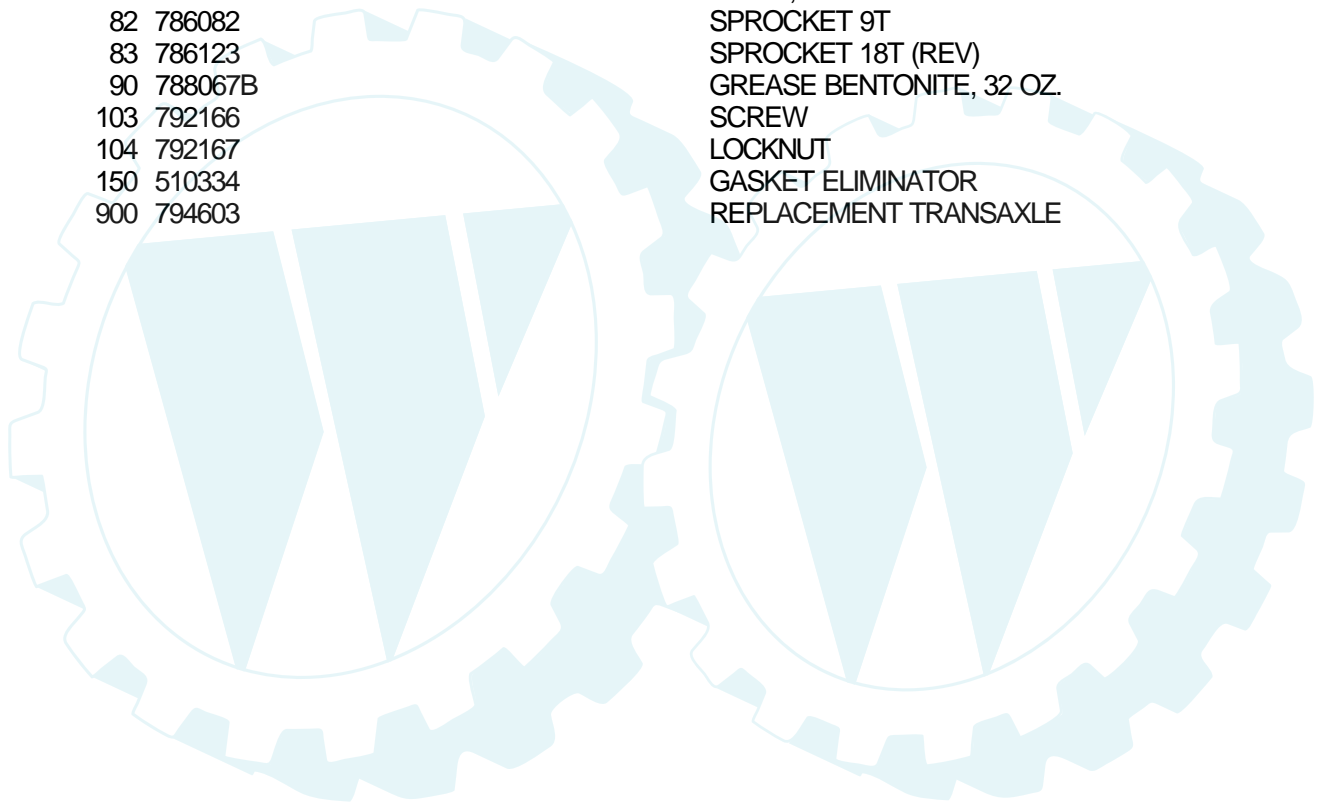




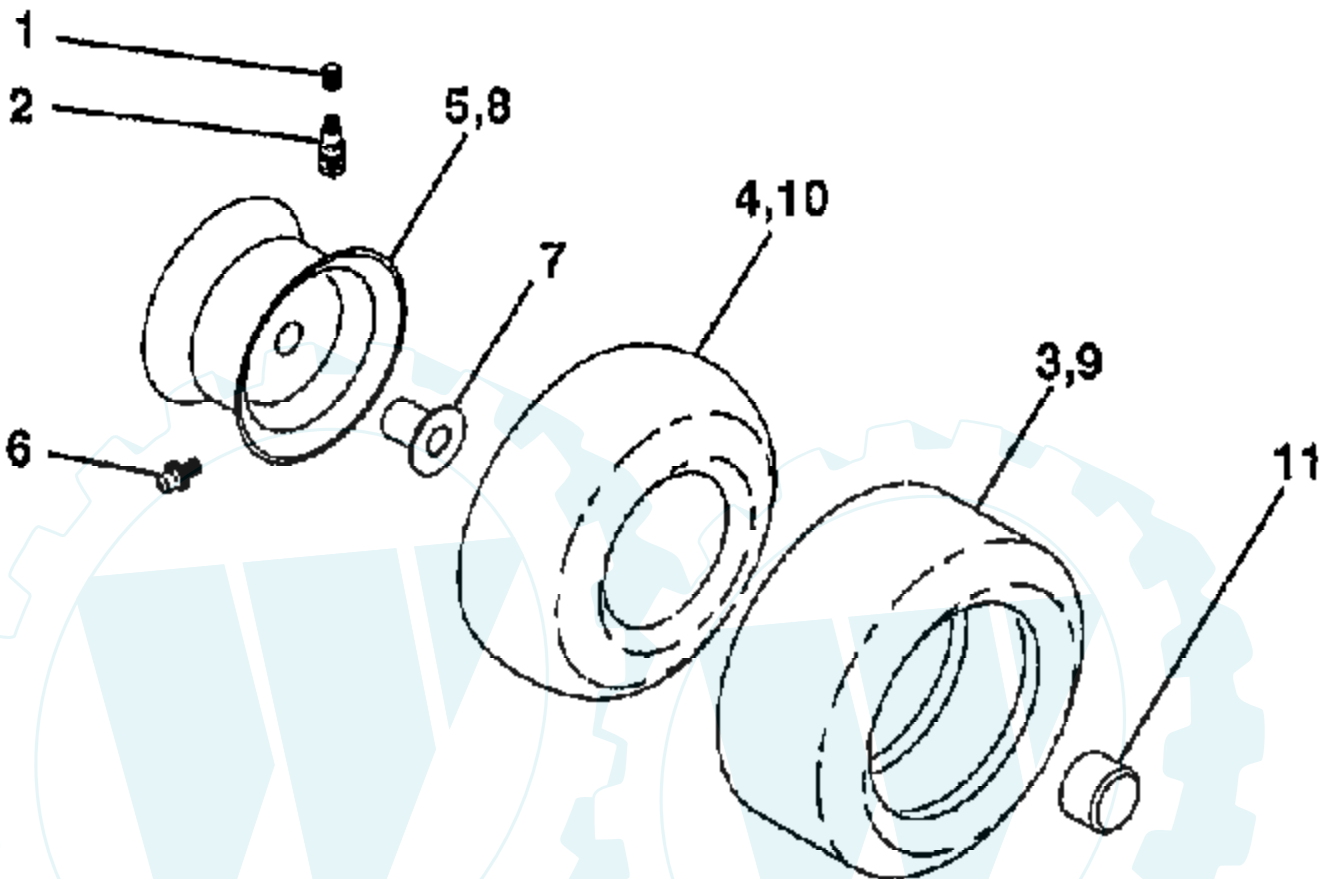
| Ref # | Part Number | Qty | Description             |
|-------|-------------|-----|-------------------------|
| 1     | 772108A     |     | TRANSAXLE COVER         |
| 2     | 780086      |     | BEARING, NEEDLE         |
| 3     | 770102A     |     | TRANSAXLE CASE          |
| 4     | 776260      |     | SHAFT, COUNTER          |
| 5     | 776219B     |     | OUTPUT SHAFT AND PINION |
| 6     | 778139      |     | GEAR, OUTPUT            |
| 7     | 778136      |     | GEAR, SPUR, 15 TEETH    |
| 8     | 792136A     |     | SHIFT KEY               |
| 8A    | 792047      |     | KEY, WOODRUFF           |
| 9     | 784352      |     | COLLAR, SHIFTER         |
| 10    | 784355      |     | ROD & FORK ASSY, SHIFT  |
| 11    | 778229      |     | GEAR, BEVEL, 42 TEETH   |
| 12    | 778113A     |     | BEVEL PINION, INPUT     |
| 13    | 778221      |     | GEAR, BEVEL             |
| 14    | 778068      |     | GEAR, BEVEL, PINION     |
| 15    | 778260      |     | GEAR, RING              |
| 17    | 786139      |     | PIN, DRIVE              |
| 18    | 786102      |     | SPACER, NEUTRAL         |
| 20    | 792077      |     | BALL STEEL, 5/16" DIA.  |
| 21    | 792078      |     | SCREW, 3/8-16 X 3/8"    |
| 22    | 792079      |     | SPRING                  |
| 23    | 788061      |     | RING, SEAL              |
| 25    | 792073      |     | SCREW, 1/4-20 X 1-1/4   |
| 26    | 792125      |     | RING RETAINER           |
| 27    | 792035      |     | RING, RETAINER          |
| 28    | 788040      |     | RETAINING RING          |
| 29    | 780072      |     | WASHER THRUST           |
| 30    | 780108      |     | WASHER THRUST           |
| 31    | 780001      |     | WASHER                  |
| 32    | 792001      |     | "O" RING                |
| 33    | 788095      |     | SEAL, SQUARE CUT        |
| 34    | 780105A     |     | BUSHING, FLANGED        |
| 35    | 780118A     |     | BUSHING, FLANGED        |
| 36    | 790003      |     | DISK, BRAKE             |
| 37    | 790007      |     | PLATE BRAKE PAD         |
| 38    | 799021      |     | BRAKE PAD               |
| 39    | 786026      |     | PIN DOWEL               |
| 40    | 792076A     |     | WASHER                  |
| 41    | 790079      |     | BRAKE LEVER             |
| 42    | 792073      |     | SCREW, 1/4-20 X 1-1/4   |
| 42A   | 792085A     |     | SCREW, 1/4-20 X 2-1/4   |
| 43    | 792075      |     | LOCKNUT 5/16-24         |
| 44    | 790025      |     | HOLDER BRAKE PAD        |
| 45    | 786066      |     | SPACER                  |
| 46    | 786086      |     | BRKT BRAKE LEVER        |
| 47    | 774690      |     | AXLE                    |
| 48    | 774691      |     | AXLE                    |
| 49    | 778215      |     | GEAR, SPUR, 37 TEETH    |
| 50    | 778125      |     | GEAR, SPUR, 35 TEETH    |
| 51    | 778124A     |     | GEAR, SPUR, 30 TEETH    |
| 52    | 778123A     |     | GEAR, SPUR, 25 TEETH    |
| 53    | 778122A     |     | GEAR, SPUR, 22 TEETH    |
| 54    | 778273      |     | GEAR, SPUR, 19T         |
| 56    | 778230      |     | GEAR, SPUR, 12 TEETH    |
| 57    | 778151      |     | GEAR, SPUR, 15 TEETH    |
| 58    | 778126A     |     | GEAR, SPUR, 20 TEETH    |
| 59    | 778127A     |     | GEAR, SPUR, 25 TEETH    |
| 60    | 778128A     |     | GEAR, SPUR, 28 TEETH    |



| Ref # | Part Number | Qty | Description              |
|-------|-------------|-----|--------------------------|
| 61    | 778163      |     | GEAR, SPUR, 31 TEETH     |
| 65    | 780109      |     | WASHER, THRUST           |
| 66    | 776135      |     | SHAFT, INPUT             |
| 67    | 776315A     |     | SHAFT, BRAKE, 4 KEYED    |
| 68    | 786116A     |     | PLUG                     |
| 69    | 780051      |     | WASHER THRUST            |
| 70    | 786118      |     | SPACER                   |
| 71    | 788069      |     | SEAL SQUARE CUT          |
| 72    | 792165      |     | THREADED PLUG 9/16-18    |
| 72A   | 788091      |     | "O" RING                 |
| 76    | 780090      |     | WASHER, THRUST           |
| 77    | 788078A     |     | INVERTED RETAINING RING  |
| 79    | 792144      |     | SPRING                   |
| 81    | 786081      |     | CHAIN, ROLLER            |
| 82    | 786082      |     | SPROCKET 9T              |
| 83    | 786123      |     | SPROCKET 18T (REV)       |
| 90    | 788067B     |     | GREASE BENTONITE, 32 OZ. |
| 103   | 792166      |     | SCREW                    |
| 104   | 792167      |     | LOCKNUT                  |
| 150   | 510334      |     | GASKET ELIMINATOR        |
| 900   | 794603      |     | REPLACEMENT TRANSAXLE    |



## WHEELS & TIRES



**NOTE:** All component dimensions given in U.S. inches  
1 inch = 25.4 mm.

| Ref # | Part Number | Qty | Description              |
|-------|-------------|-----|--------------------------|
| 1     | 59192       |     | VALVE CAP                |
| 2     | 65139       |     | VALVE STEM LT            |
| 3     | 106222X     |     | SUB= 122073X             |
| 4     | 59904       |     | TUBE.5.3/4.5/6           |
| 5     | 106732X427  |     | "RIM ASM 6"" FRT"        |
| 6     | 278H        |     | FITTING LT               |
| 7     | 9040H       |     | "FLANGE, BEARING"        |
| 8     | 106108X427  |     | "RIM AS 8"" REAR"        |
| 9     | 138468      |     | TIRE.20X8-8              |
| 10    | 7152J       |     | TUBE.18X9.5-8            |
| 11    | 104757X     |     | HUB CAP                  |
|       | 144334      |     | SEALANT.TIRE 10 OZ. TUBE |

