

**REPAIR PARTS MANUAL**  
**MODEL NO. RZ125H42B**  
**Lawn Tractor**

---

**Rally**

# HOW TO USE THIS MANUAL

This manual is designed to provide the customer with a means to identify the parts on his/her tractor when ordering repair parts. The illustrations may or may not represent the actual assemblies; therefore, it is not recommended to use this manual as a guide to assemble or disassemble the tractor. Some hardware and parts are drawn larger in order to more readily identify them.

Each tractor has its own model number.

The model number for your tractor can be found on the fender under the seat.

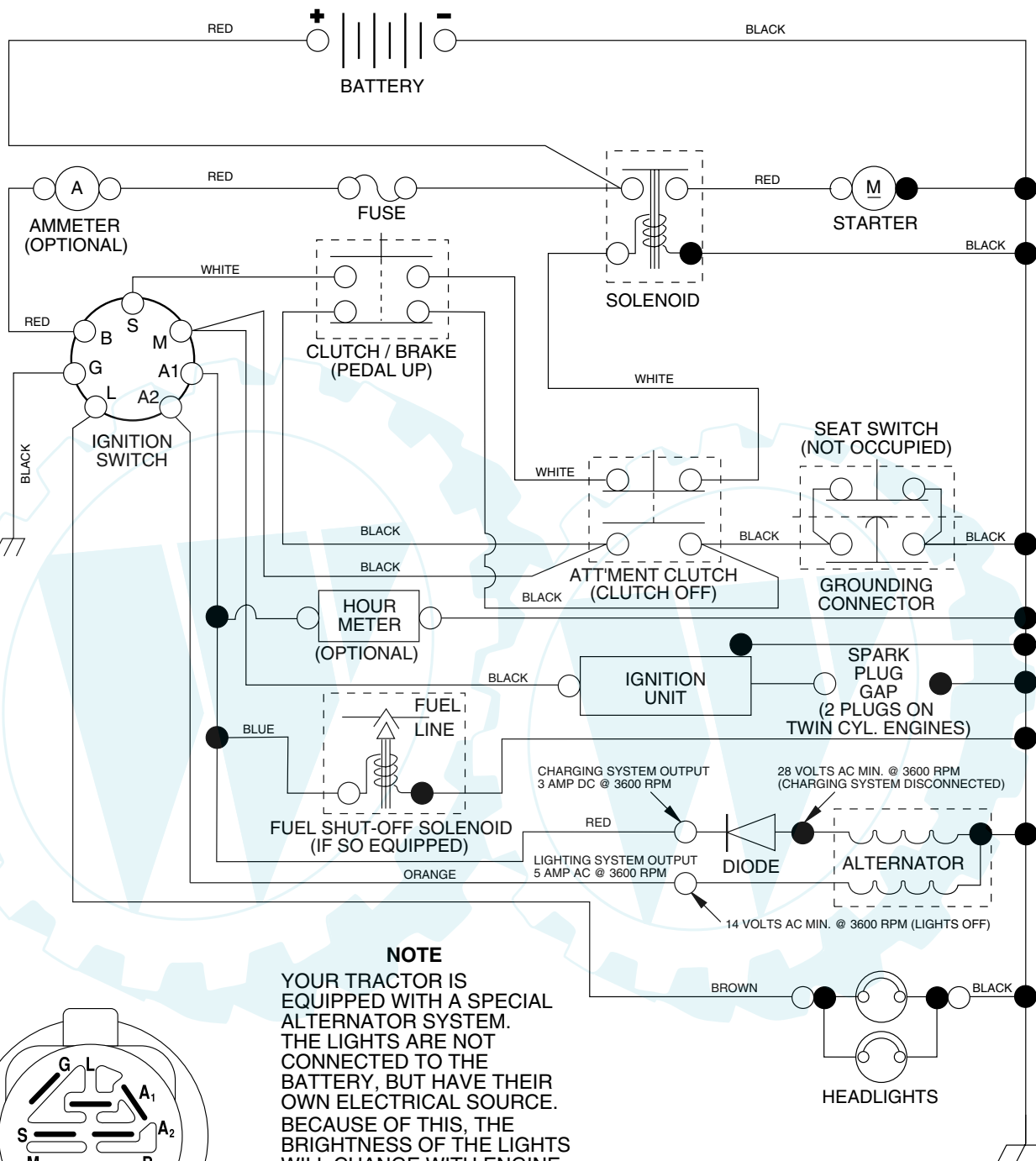
When ordering parts, always give the following information:

- Product - "Tractor"
- Model Number - "RZ125H42B"
- Part Number
- Part Description

## TABLE OF CONTENTS

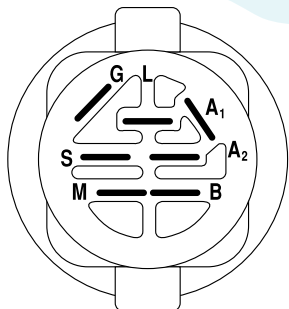
<b>SCHEMATIC</b> .....	<b>3</b>
<b>ELECTRICAL</b> .....	<b>4-5</b>
<b>CHASSIS</b> .....	<b>6-7</b>
<b>DRIVE</b> .....	<b>8-9</b>
<b>STEERING WHEEL</b> .....	<b>10-11</b>
<b>ENGINE</b> .....	<b>12</b>
<b>SEAT</b> .....	<b>13</b>
<b>DECALS</b> .....	<b>14</b>
<b>MOWER LIFT LEVER</b> .....	<b>15</b>
<b>MOWER DECK</b> .....	<b>16-17</b>
<b>WARRANTY</b> .....	<b>19</b>

**SCHEMATIC**



**NOTE**

YOUR TRACTOR IS EQUIPPED WITH A SPECIAL ALTERNATOR SYSTEM. THE LIGHTS ARE NOT CONNECTED TO THE BATTERY, BUT HAVE THEIR OWN ELECTRICAL SOURCE. BECAUSE OF THIS, THE BRIGHTNESS OF THE LIGHTS WILL CHANGE WITH ENGINE SPEED. AT IDLE THE LIGHTS WILL DIM. AS THE ENGINE IS SPEEDED UP, THE LIGHTS WILL BECOME THEIR BRIGHTEST.



**IGNITION SWITCH**

POSITION	CIRCUIT	"MAKE"
OFF	M+G+A1	NONE
RUN/LIGHT	B+A1	A2+L
RUN	B+A1	NONE
START	B + S + A1	NONE

**WIRING INSULATED CLIPS**

**NOTE:** IF WIRING INSULATED CLIPS WERE REMOVED FOR SERVICING OF UNIT, THEY SHOULD BE REPLACED TO PROPERLY SECURE YOUR WIRING.

NON-REMOVABLE CONNECTIONS

REMOVABLE CONNECTIONS



## TRACTOR - - MODEL NUMBER RZ125H42B

### ELECTRICAL

KEY NO.	PART NO.	DESCRIPTION
1	144925	Battery 12 Volt 25 Amp
2	74760412	Bolt Hex Hd 1/4-20unc X 3/4
8	156417	Case Battery
16	153664	Switch Interlock Push-In
21	166181	Harness Asm Light W/4152J
22	4152J	Bulb Light #1156
24	4799J	Cable Battery 6 Ga 11"red
25	146147	Cable Battery 6 Ga red W/ 16" Wire
26	175158	Fuse 20 AMP
27	73510400	Nut Keps Hex 1/4-20 UNC
28	4207J	Cable Ground 6 Ga 12" black
29	121305X	Switch Plunger Nc Gray
30	175566	Switch, Ignition
33	140401	Key Ign
40	<b>178437</b>	Harness Ign
41	71110408	Bolt Blk Fin Hex 1/4-20 x 1/2
42	131563	Cover Terminal Red
43	178861	Solenoid
48	140844	Adapter Ammeter Rectangular
52	141940	Protection Wire Loop

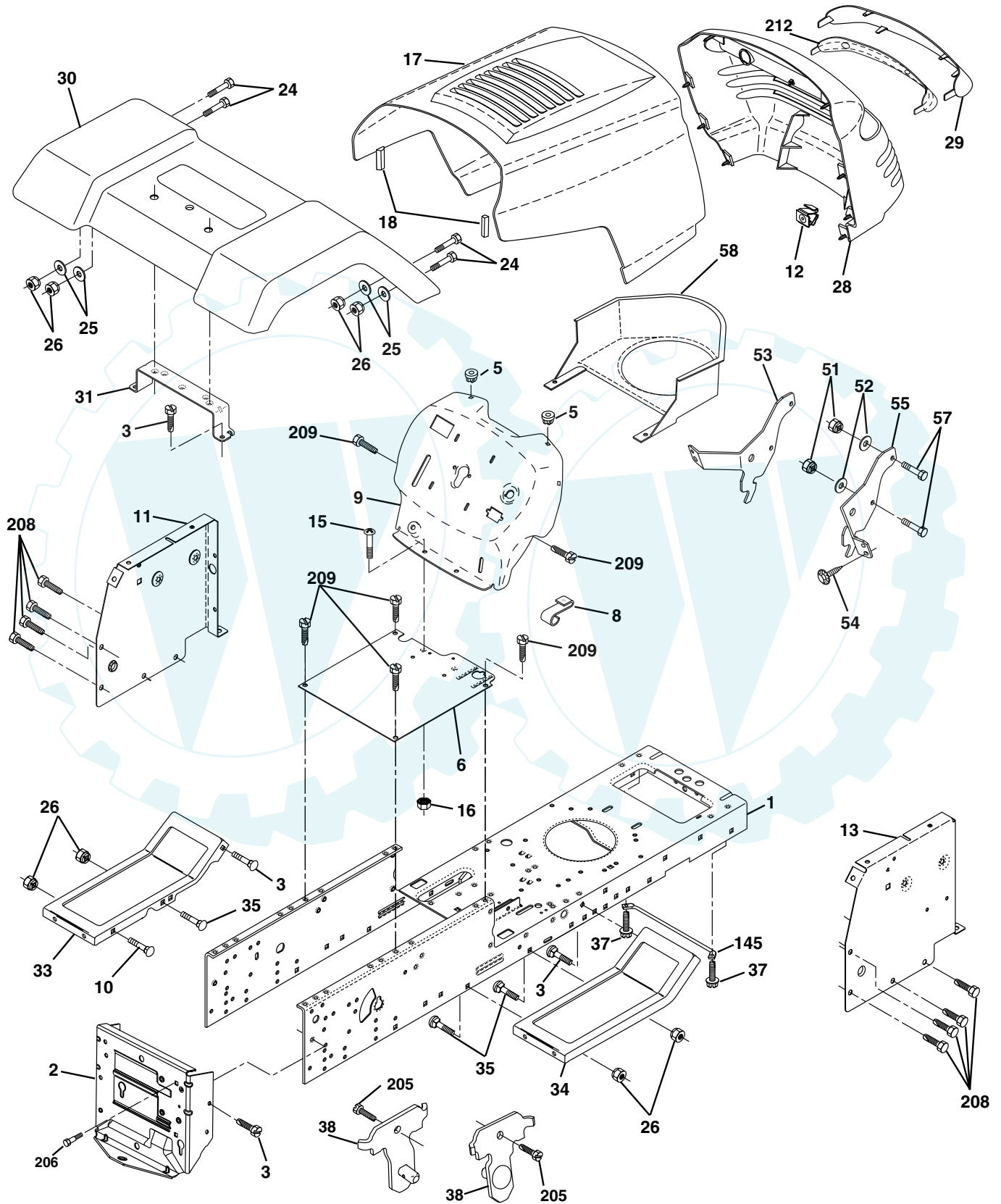
**NOTE:** All component dimensions give in U.S. inches  
1 inch = 25.4 mm.

# REPAIR PARTS

[www.ersatzteil-service.de](http://www.ersatzteil-service.de)

## TRACTOR - - MODEL NUMBER RZ125H42B

### CHASSIS AND ENCLOSURES



## TRACTOR - - MODEL NUMBER RZ125H42B

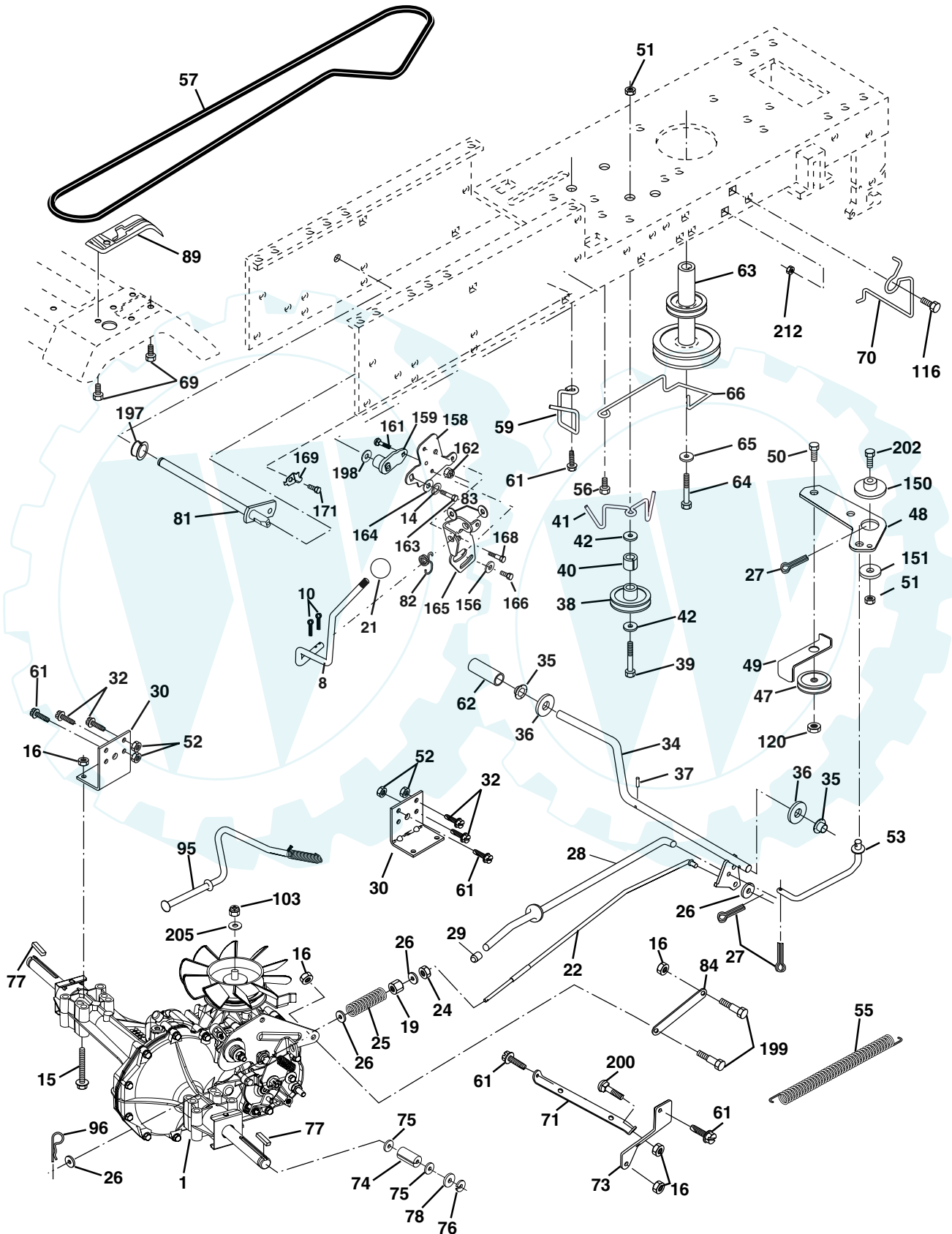
### CHASSIS AND ENCLOSURES

KEY NO.	PART NO.	DESCRIPTION
1	174620	Chassis
2	176554	Drawbar
3	17060612	Screw 3/8-16 x 3/4
5	155272	Bumper Hood/Dash
6	155923	Saddle
8	155138	Clip, Retainer Slide-On
9	168347X011	Dash
10	72140608	Bolt, Carriage 3/8-16 x 1
11	155927	Dashboard, panel LH
12	145660	Clip Tinnerman Grille P/L
13	172107X010	Dashboard, panel RH
15	74180512	Machine screw 5/16-18 unc x 3/4
16	73510500	Nut, Keps 5/16-18 Unc
17	159639X505	Hood Pnt Stl P/L w/Trim 505
18	126938X	Bumper Hood
24	74780616	Bolt, Hex Head, Fin. 3/8-16 x 1 Grade 5
25	19131312	Washer 13/32 x 13/16 x 12 Gauge
26	73800600	Nut Lock Hex w/Ins. 3/8-16 Unc
28	140434	Grille/Lens Asm.
29	140273X599	Lens
30	169467X505	Fender
31	136619	Fender Bracket
33	145244X505	Footrest, LH
34	145243X505	Footrest, RH
35	72110606	Bolt 3/8-16 X 3/4
37	17490508	Screw Thdrol 5/16-18 x 1/2
38	175710	Bracket Asm. Pivot Mower Rear
51	73800400	Nut Lock, w/Insert 14/20 UNC
52	19091416	Washer 9/32 x 7/8 x 16 Ga.
53	144697	Bracket Grille
54	161464	Screw Hex WsHd 8-18 x 7/8
55	144696	Bracket Grille RH
57	74780412	Bolt FinHex 1/4-20 UNC x .75
58	150127	Duct Air Engine P/L LT
145	156524	Rod Pivot Chassis/Hood
205	17490608	Screw Thdrol 3/8-16 x 1/2
206	170165	Bolt Shoulder 5/16-18 TT
208	17670608	Screw Thdrol 3/8-16 x 1/2
209	17000612	Screw Hexwsh Thdr 3/8-16 x 3/4
212	156229	Insert Lens Reflect
--	5479J	Button Plug

**NOTE:** All component dimensions given in U.S. inches  
1 inch = 25.4 mm

## TRACTOR - - MODEL NUMBER RZ125H42B

### DRIVE





## TRACTOR - - MODEL NUMBER RZ125H42B

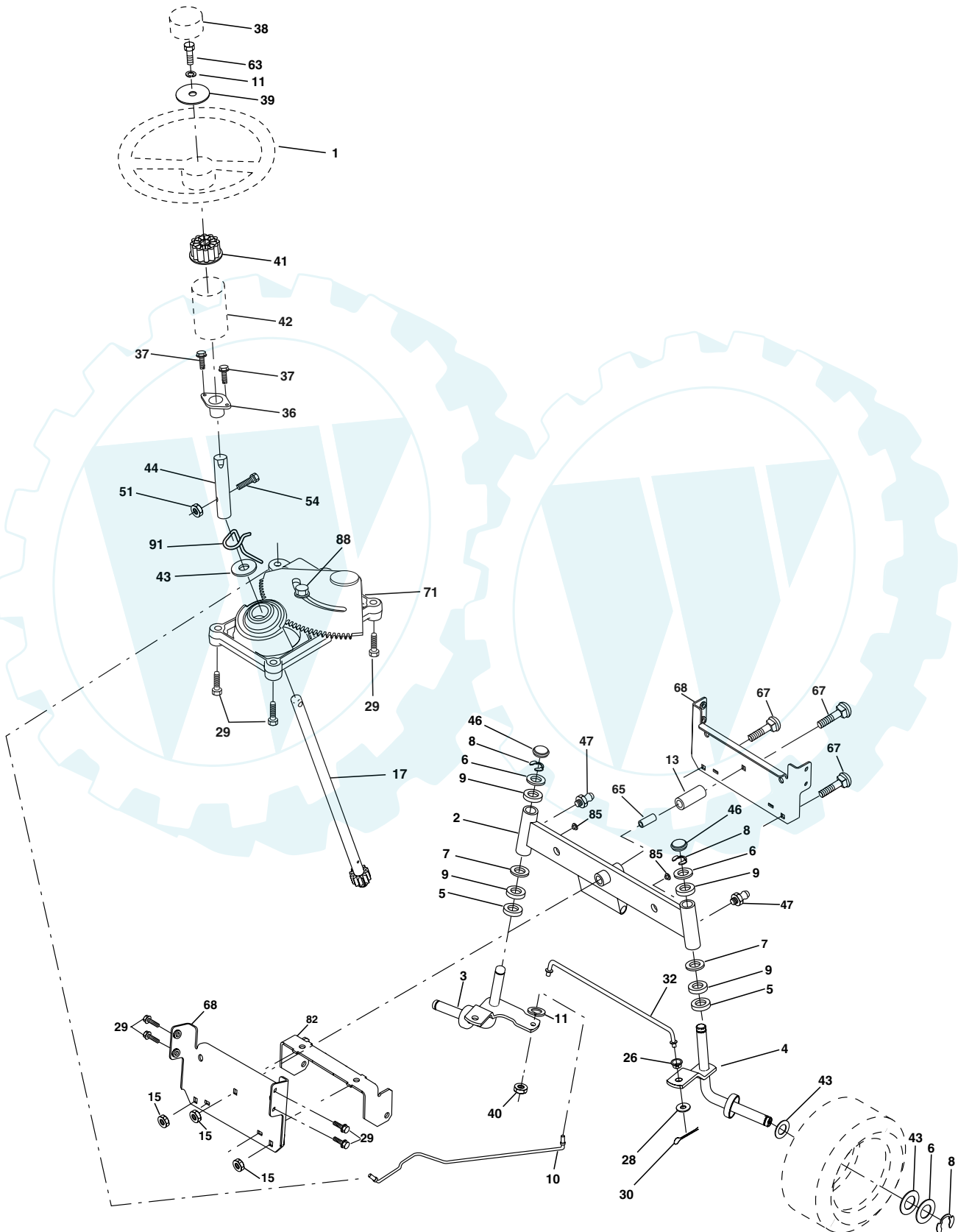
### DRIVE

KEY NO.	PART NO.	DESCRIPTION	KEY NO.	PART NO.	DESCRIPTION
1	-----	Transaxle Hydro Gear Model 322-0510 (Order parts from the transaxle manufacturer)	65	10040700	Washer
8	165619	Rod, Shift	66	154778	Keeper, Belt Engine Hydro
10	76020416	Pin, Cotter 1/8 x 1	69	142432	Screw Hex Wsh Hi-Lo 1/4-1/2 Unc
14	10040400	Washer Lock 1/4	70	134683	Guide, Belt, Mower Drive RH
15	74490544	Bolt Hex Flghd 5/16-18 Gr. 5	71	169183	Strap, Torque, Lh
16	73800500	Nut, Lock Hex w/Ins 5/16-18 UNC	73	169182	Strap, Torque, Rh
19	73800600	Nut, Lock Hex w/Wsh 3/8-16 UNC	74	137057	Spacer, Axle
21	106933X	Knob Rd. 1/2-13 Plstc. Thds. Blk.	75	121749X	Washer 25/32 x 1-1/4 x 16 Ga.
22	169498	Rod, Brake	76	12000001	Ring, E
24	73350600	Nut	77	123583X	Key, Square
25	106888X	Spring, Rod, Brake	78	121748X	Washer 25/32 x 1-5/8 x 16 Ga.
26	19131316	Washer 13/32 x 13/16 x 16 Ga.	81	165596	Shaft Asm Cross
27	76020412	Pin, Cotter 1/8 x 3/4	82	123782X	Spring, Torsion
28	<b>175765</b>	Rod, Parking Brake	83	19171216	Washer 17/32 x 3/4 x 16 Ga.
29	71673	Cap, Parking Brake	84	169843	Link Transaxle
30	174973	Bracket, Transmission	89	169373X428	Console, Shift
32	74760512	Bolt Hex 5/16-18 UNC x 3/4	95	170201	Control Asm Bypass Hydro
34	<b>175578</b>	Shaft, Foot Pedal	96	4497H	Spring, Retainer 1"
35	120183X	Bearing, Nylon	103	73940800	Nut, Hex Jam Toplock 1/2-20 UNF
36	19211616	Washer	116	72140608	Bolt Rdhd Sq Neck 3/8-16 Unc x 1
37	1572H	Pin, Roll	120	73900600	Nut Lock Flg. 3/8-16 Unc
38	<b>165936</b>	Pulley, Idler, Flat	150	<b>175456</b>	Spacer Retainer
39	<b>74760648</b>	Bolt	151	19133210	Washer 13/32 x 2 x 10
40	<b>175461</b>	Spacer, Split	156	166002	Washer 5/16 x 1.0 x 1.25
41	<b>175556</b>	Keeper, Belt, Idler	158	165589	Bracket Shift Mount
42	19131312	Washer 13/32 x 13/16 x 12 Ga.	159	165494	Hub Tapered Flange Shift
47	127783	Pulley, Idler, V-Belt	161	72140406	Bolt Rdhd Sqnk 1/4-20 x 3/4 Gr. 5
48	154407	Bellcrank Clutch Grnd Drustl	162	73680400	Nut Crownlock 1/4-20 Unc
49	123205X	Retainer, Belt	163	74780416	Bolt Hex Fin 1/4-20 x 1
50	74760624	Bolt	164	19091010	Washer 5/8 x .281 x 10 Ga.
51	73680600	Nut	165	165623	Bracket Pivot Lever
52	73680500	Nut Crownlock 5/16-28	166	166880	Screw 5/16 x 1.0 x .125
53	105710X	Link, Clutch	168	165492	Bolt Shoulder 5/16-18 x .561
55	105709X	Spring, Return, Clutch	169	165581	Plate Fastener
56	<b>17060616</b>	Screw 3/8-16 x 1	171	17490608	Screw Thdrol 3/8-16 x 1/2
57	140294	V-Belt, Drive	197	169613	Nyliner Snap-in 5/8" ID
59	169691	Keeper, Belt, Center	198	169593	Washer Nyl 7/8ID x .105"HYD
61	17060612	Screw, 3/8-16 x 3/4	199	169612	Bolt Shoulder 5/16-18 Unc
62	8883R	Cover, Pedal	200	72140508	Bolt Rdhd Sqnk 5/16-18 Unc x 1
63	<b>175410</b>	Pulley, Engine	202	<b>72110614</b>	Bolt Car SH 3/8-16 x 1-3/4 Gr 5
64	71170764	Bolt Hex 7/16 x 4 Gr. 5	205	19171616	Washer 17/32 x 1 x 16 Ga
			212	145212	Nut Hex Flange Lock

**NOTE:** All component dimensions given in U.S. inches  
1 inch = 25.4 mm

## TRACTOR - - MODEL NUMBER RZ125H42B

### STEERING WHEEL



## TRACTOR - - MODEL NUMBER RZ125H42B

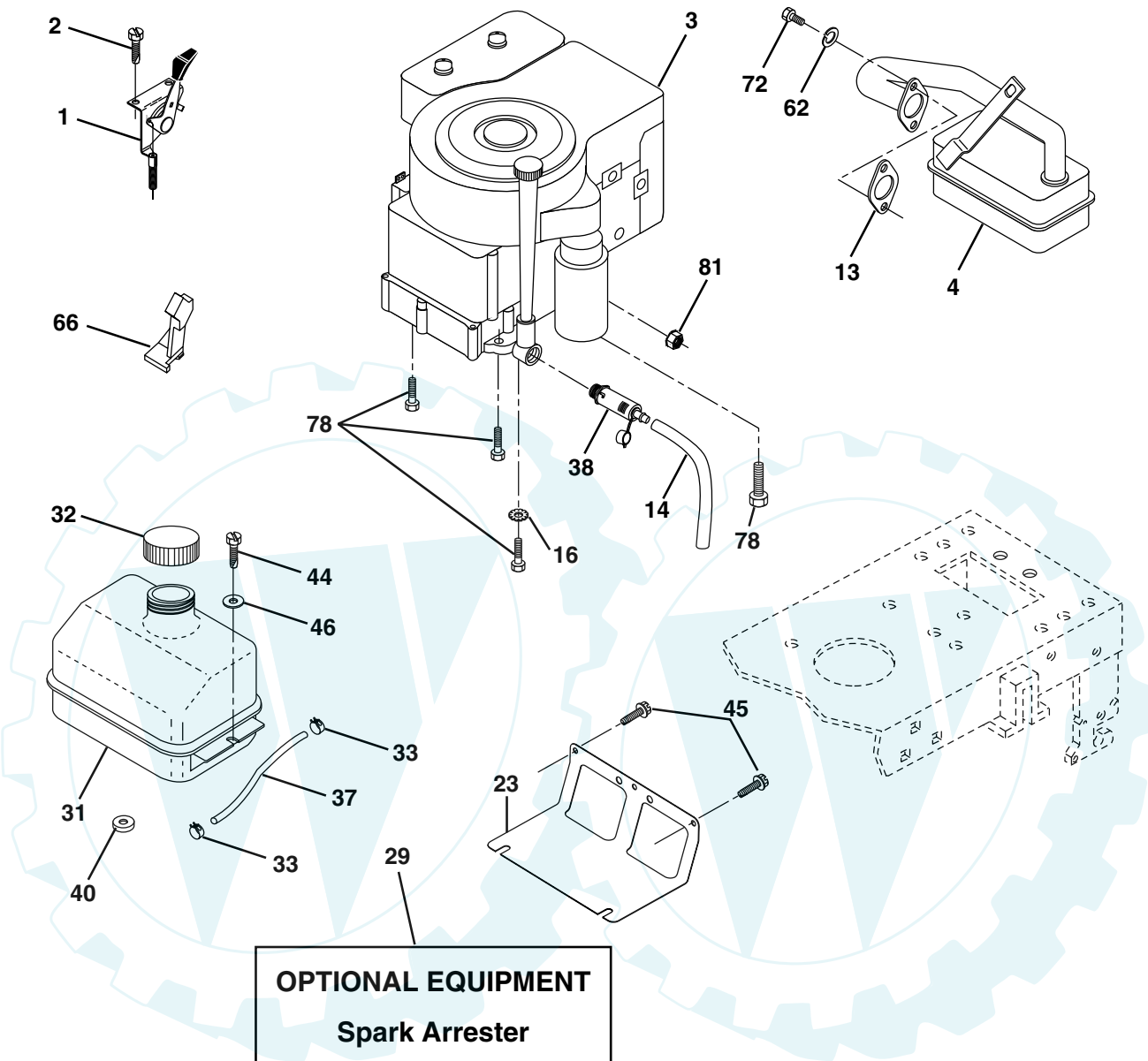
### STEERING WHEEL

KEY NO.	PART NO.	DESCRIPTION
1	140044X428	Wheel, Steering
2	154427	Asm. Axle, Rear
3	169840	Asm., Spindle, Lh
4	169839	Asm., Spindle, Rh
5	6266H	Bearing, Thrust, Hardened
6	121748X	Washer 25/32 x 1-5/8 x 16 Ga.
7	19272016	Washer 27/32 x 1-1/4 x 16 Ga.
8	12000029	Ring, Clip
9	3366R	Bearing
10	<b>175121</b>	Link, Drag
11	10040600	Washer, Lock
13	136518	Bearing, Axle
15	145212	Nut, Hex Flange Lock
17	<b>177876</b>	Asm. Shaft, Steering
26	126847X	Bushing, Link, Drag
28	19131416	Washer 13/32 x 7/8 x 16 Ga.
29	17060612	Screw 3/8-16 x 3/4
30	76020412	Pin, Cotter
32	130465	Rod, Tie
36	155099	Bushing, Steering
37	152927	Screw
38	140045X428	Insert, Steering
39	19133812	Washer 13/32 x 2-3/8 x 12 Ga.
40	7810H	Nut
41	100711L	Adapter, Steering
42	145054X428	Boot, Shaft Steering Blk
43	121749X	Washer 25/32 x 1-1/4 x 16 Ga.
44	153720	Extension Shaft Steering LR.LT
46	121232X	Cap, Spindle
47	6855M	Fitting, Grease
51	73800500	Nut Lock Hex w/Ins. 5/16-18 UNC
54	74780520	Bolt Fin Hex 5/16-18 UNC x 1-1/4
63	74780616	Bolt, FinHex 3/8-16 UNC x 1 Gr. 5
65	160367	Spacer Axle
67	72140618	Bolt, Rdhd Sq 3/8-16 Unc x 2-1/4
68	169827	Axle, Brace
71	<b>175146</b>	Steering Asm
82	169835	Bracket Susp. Chassis Front
85	133835	Fastener Christmas Tree
88	<b>175118</b>	Bolt, Shoulder 7/16-20 Unc
91	<b>175553</b>	Clip, Steering

**NOTE:** All component dimensions given in U.S. inches  
1 inch = 25.4 mm

## TRACTOR - - MODEL NUMBER RZ125H42B

### ENGINE

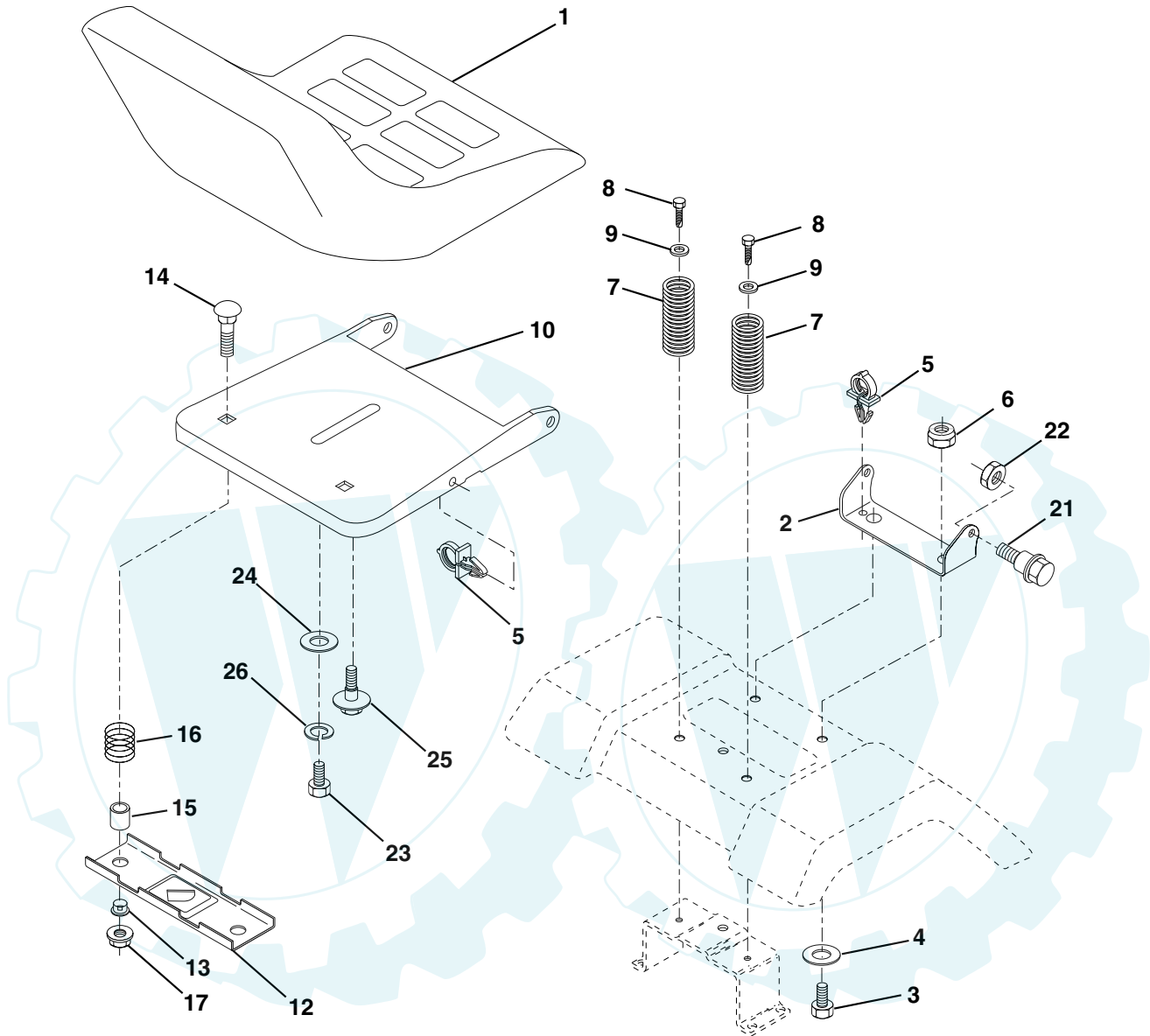


KEY NO.	PART NO.	DESCRIPTION	KEY NO.	PART NO.	DESCRIPTION
1	170865	Control Th/ch	37	137040	Line Fuel
2	17720410	Screw Hex Thd Cut 1/4-20x5/8 T	38	148315	Plug Drain Oil Easy
3	-----	Engine Briggs Model No. 289707 (Order parts from engine manufacturer)	40	124028X	Bushing
4	137348	Muffler Exhaust B&S	44	17670412	Screw Hex Wsh Thdrol 1/4-20 x 3/4
13	165291	Gasket Eng	45	17000612	Screw Hex Wsh Thdr 3/8-16 x 3/4
14	148456	Tube Drain Oil Easy	46	19091416	Washer 9/32 X 7/8 X 16 Ga
16	11050600	Washer Lock Ext Tooth 3/8	62	10040500	Washer 5/16
23	169837	Shield Brn/Dbt Guard	66	127951	Stop Throttle 3000 RPM
29	137180	Kit Spark Arrester (Flat Scrm)	72	71070512	Screw 5/16-18 x 3/4
31	109202X	Tank Fuel Front	78	17060620	Screw 3/8-16x1-1/4
32	140527	Cap Asm Fuel	81	73510400	Nut Keps Hex 1/4-20 Unc
33	123487X	Clamp Hose Blk			

**NOTE:** All component dimensions given in U.S. inches.  
1 inch = 25.4 mm.

## TRACTOR - - MODEL NUMBER RZ125H42B

### SEAT



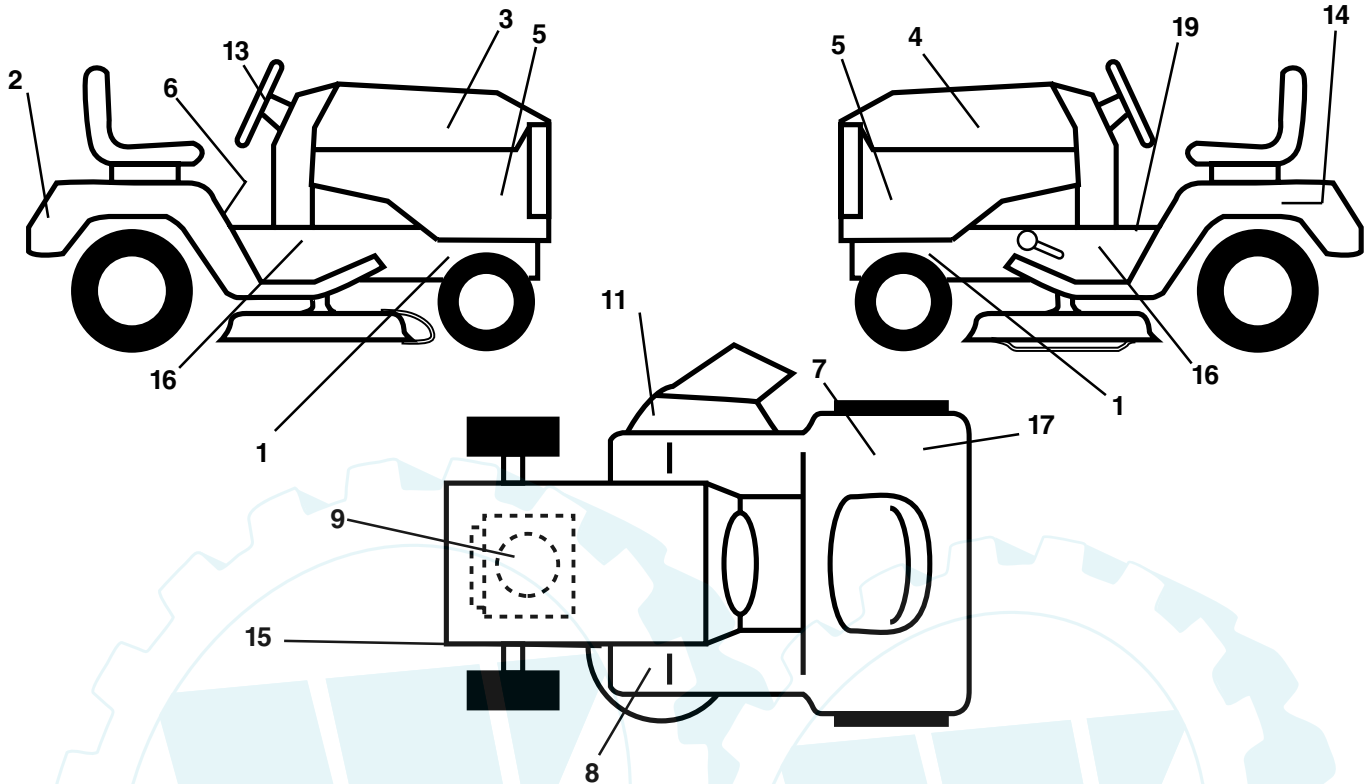
KEY NO.	PART NO.	DESCRIPTION
1	127426X	Seat
2	140551	Bracket, Pivot, Seat
3	71110616	Bolt
4	19131610	Washer 13/32 x 1 x 10 Ga.
5	145006	Clip, Push-in
6	73800600	Nut
7	124181X	Spring, Seat
8	17000616	Screw 3/8-16 x 1
9	19131614	Washer 13/32 x 1 x 14 Ga.
10	174894	Pan, Seat
12	121246X	Bracket, Mounting, Switch, Seat
13	121248X	Bushing, Nylon

KEY NO.	PART NO.	DESCRIPTION
14	72050412	Nut, Crownlock 1/4-20 x 1-1/2
15	134300	Spacer, Split
16	121250X	Spring
17	123976X	Nut, Lock, Flange 1/4 Gr. 5
21	171852	Bolt, Shoulder 5/16-18 UNC
22	73800500	Nut
23	71110814	Bolt Hex
24	19171912	Washer 17/32 x 1-3/16 x 12 Ga.
25	127018X	Bolt Shoulder 5/16-18 x .62
26	10040800	Washer Lock Hvy Hclic Spr 1/2

**NOTE:** All component dimensions given in U.S. inches  
1 inch = 25.4 mm

## TRACTOR - - MODEL NUMBER RZ125H42B

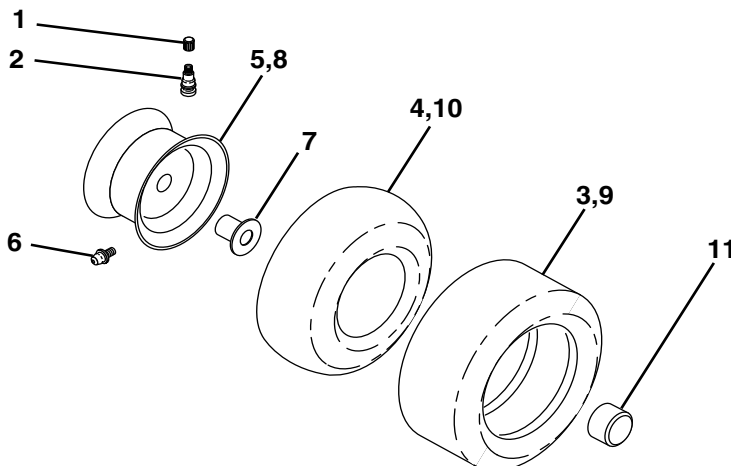
### DECALS



KEY NO.	PART NO.	DESCRIPTION
1	159736	Decal, Chassis Hot Muffler
2	170752	Decal, Fender Logo
3	153266	Decal, Hood Rh
4	153267	Decal, Hood Lh
5	135866	Decal, Insert Hood
6	145498	Decal, Read Owner's Manual Syms
7	145437	Decal, Europe Stand CE
8	159737	Decal, Brake/Clutch Symbol LT
9	170839	Decal, HP Engine
11	145494	Decal, Int Cutfinger
13	146902	Decal, Steering Wheel
14	145005	Decal, Battery Dan/Poi P/L Symbols

KEY NO.	PART NO.	DESCRIPTION
15	160396	Decal, V-Belt
16	141801	Decal, Chassis
17	126187X	Decal, 100 DBA
19	140837	Decal, Parking Brake
--	138311	Decal, Handle, Lift, Height Adjust (Lift Handle)
--	162598	Decal, Drawbar Load Limit
--	169210	Decal, By-Pass
--	133671	Pad Footrest
--	177204	Manual, Operator's (European)
--	177205	Manual, Operator's (Scan)
--	<b>178951</b>	Manual, Repair Parts

### TIRES AND WHEELS



KEY NO.	PART NO.	DESCRIPTION
1	59192	Cap, Valve
2	65139	Stem, Valve
3	106222X	Tire Front
4	59904	Tube, Front (not furnished)
5	106732X427	Rim, Asm. Front
6	278H	Grease Fitting (rear tire only)
7	9040H	Bearing, Flange (front tire only)
8	106108X427	Rim, Asm. Rear
9	124635X	Tire, Rear
10	7152J	Tube, Rear (not furnished)
11	104757X428	Cap, Axle
--	144334	Sealant, Tire (10 oz. Tube)

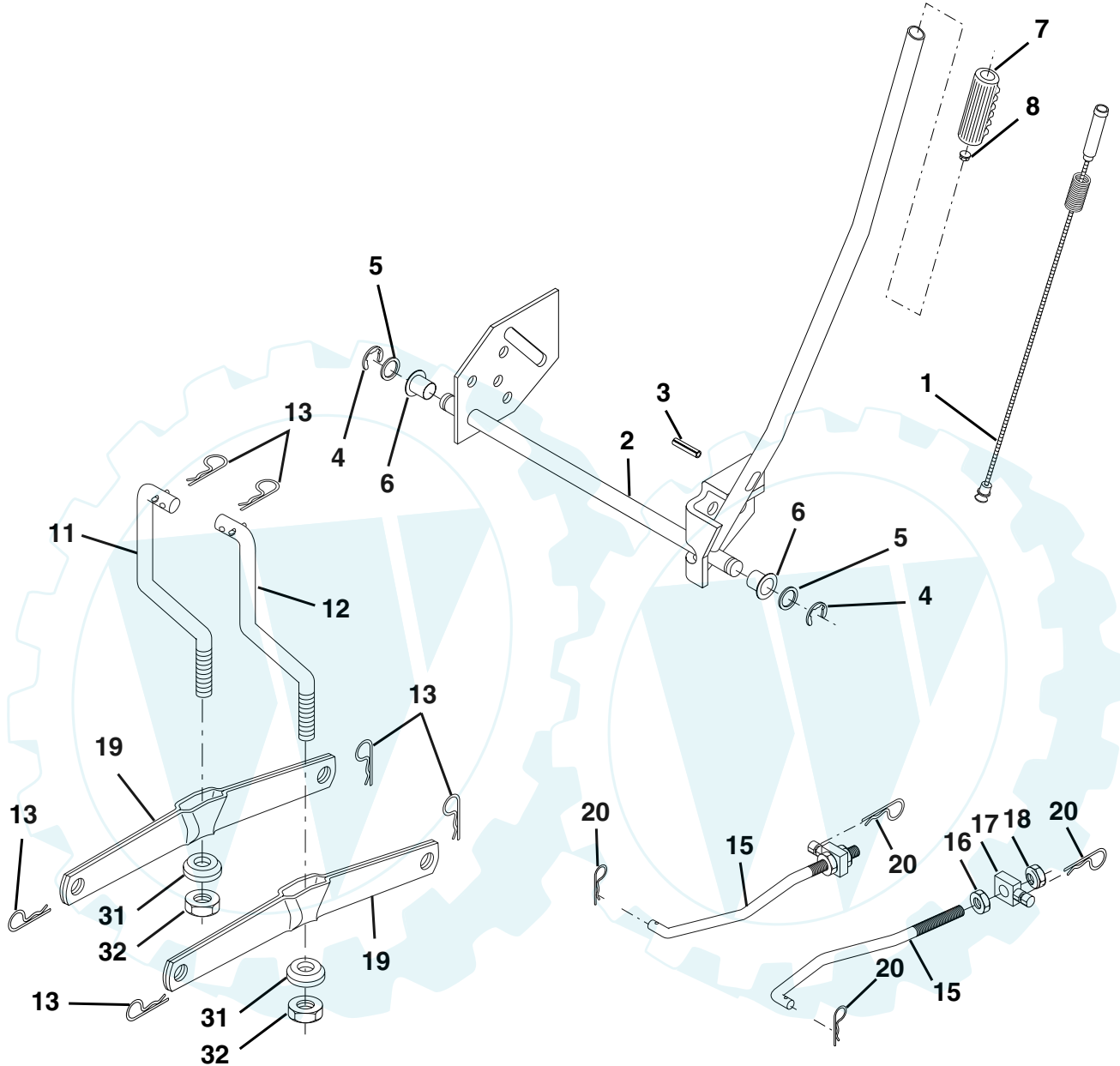
**NOTE:** All component dimensions given in U.S. inches  
1 inch = 25.4 mm

# REPAIR PARTS

[www.ersatzteil-service.de](http://www.ersatzteil-service.de)

## TRACTOR - - MODEL NUMBER RZ125H42B

### MOWER LIFT



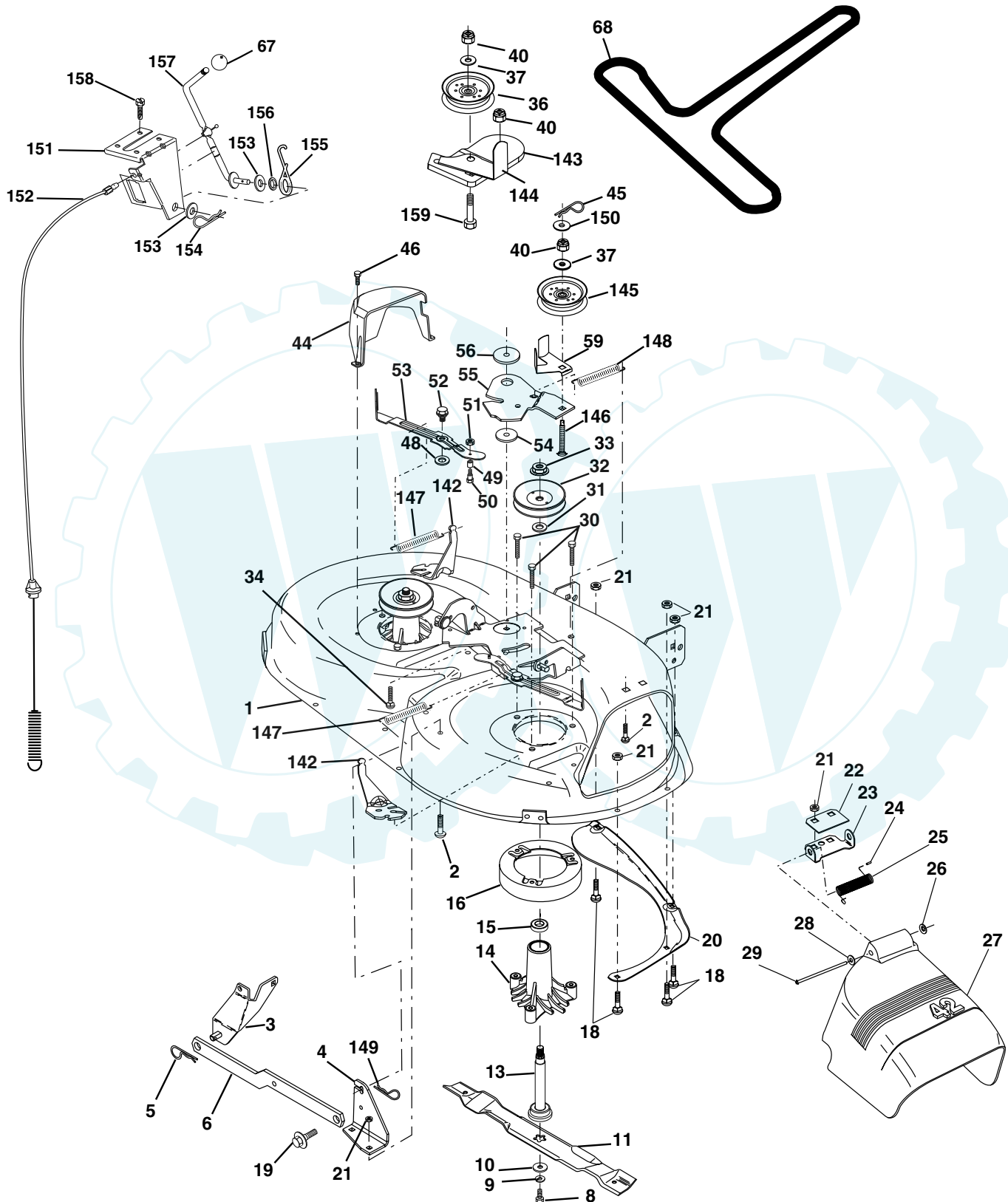
KEY NO.	PART NO.	DESCRIPTION
1	159460	Asm. Inner Wire w/Plunger
2	159471	Asm., Shaft, Lift
3	105767X	Pin, Groove
4	12000002	Ring, E #5133-62
5	19211621	Washer 21/32 x 1 x 21 Ga.
6	120183X	Bearing, Nylon
7	109413X	Grip Handle Bicycle Matte Blk
8	124526X	Button, Plunger
11	139865	Link, Lift, Lh
12	139866	Link, Lift, Rh

KEY NO.	PART NO.	DESCRIPTION
13	4939M	Spring, Retainer
15	173288	Link, Front
16	73350800	Nut, Jam, Hex 1/2-13 Unc
17	<b>175689</b>	Trunnion
18	73800800	Nut, Lock w/Wsh 1/2-13 Unc
19	139868	Arm, Suspension, Rear
20	163552	Spring, Retainer
31	169865	Bearing, Pvt Lft

**NOTE:** All component dimensions given in U.S. inches  
1 inch = 25.4 mm

## TRACTOR - - MODEL NUMBER RZ125H42B

### MOWER DECK





## TRACTOR - - MODEL NUMBER RZ125H42B

### MOWER DECK

KEY NO.	PART NO.	DESCRIPTION	KEY NO.	PART NO.	DESCRIPTION
1	165892	Mower Deck Assembly, 42"	46	137729	Screw, Thdrol 1/4-20 x 5/8 T
2	72140506	Bolt	48	133944	Washer, Hardened
3	138017	Bracket Asm Fr. Sway Bar 3/42	49	174284	Roller Assembly, Cam Follower
4	165460	Bracket Asm Deck 42" Sway Bar	50	131340	Bolt, Shoulder #10-24 Grade 5
5	4939M	Retainer Spring	51	69180	Locknut
6	130832	Arm, Suspension, Rear	52	139888	Bolt, Shoulder 5/16-18 UNC
8	850857	Bolt 3/8-24 x 25 Grade 8 patched	53	131845	Arm Assembly, Pad, Brake
9	10030600	Washer, Lock	54	133943	Washer, Hardened
10	140296	Washer, Hardened	55	155046	Arm, Idler
11	138498	Blade Mower 42" Hi-Lift Std	56	165723	Spacer, Retainer
13	137645	Shaft Assembly, Mandrel, Vented	59	141043	Guard TUV Idler
14	128774	Housing, Mandrel, Vented	67	106932X	Knob Round
15	110485X	Bearing, Ball, Mandrel	68	144959	V-Belt, 42" Mower
16	174493	Stripper Mower Deck	142	165890	Arm Spring Brake Mower
18	72140505	Bolt, Carriage 5/16-18 x 5/8	143	157109	Bracket Arm Idler 42"
19	132827	Bolt, Shoulder	144	158634	Keeper Belt 42" Clutch Cable
20	159770	Baffle, Vortex	145	165888	Pulley Idler Flat
21	73680500	Nut	146	171977	Bolt Carriage Idler
22	134753	Stiffener Bracket	147	131335	Spring Extension
23	131267	Bracket, Deflector Mower 42"	148	169022	Spring Return Idler
24	105304X	Cap, Sleeve 80 x 112 Blk Mower	149	165898	Retainer Spring Yellow
25	123713X	Spring, Torsion, Deflector 2 52	150	19091216	Washer 9/32 x 3/4 x 16 Ga.
26	110452X	Nut, Push Phos & Oil	151	169670	Bracket Clutch Cable
27	130968X428	Shield, Deflector 42" Blk	152	169676	Clutch Cable 42"
28	19111016	Washer 11/32 x 5/8 x 16 Gauge	153	169674	Washer Flat 3/8" Type B
29	131491	Rod, Hinge 42" 6 75 W/G	154	169675	Spring Retainer
30	157722	Screw Thdrol Washer Head	155	169671	Spring Retention LVR CLTCH CAB
31	129963	Washer, Spacer Mower Vented	156	169672	Spacer Clutch Cable
32	153535	Pulley, Mandrel	157	169669	Rod Clutch Cable 3/8"
33	<b>178342</b>	Nut, Toplock 9/16	158	17720410	Screw Hex Thd Cut 1/4-20 x 5/8
34	72110614	Bolt	159	72140614	Bolt Rdhd Sqn 3/8-16 UNC x 1-3/4
36	131494	Pulley, Idler, Flat	--	130794	Mandrel Assembly (Includes Key Numbers 8-10,13-15, 31 and 33)
37	19131316	Washer 13/32 x 13/16 x 16 Gauge	--	171639	Replacement Mower, Complete
40	73680600	Nut			
44	140088	Guard, Mandrel, LH			
45	4497H	Retainer			

**NOTE:** All component dimensions given in U.S. inches  
1 inch = 25.4 mm