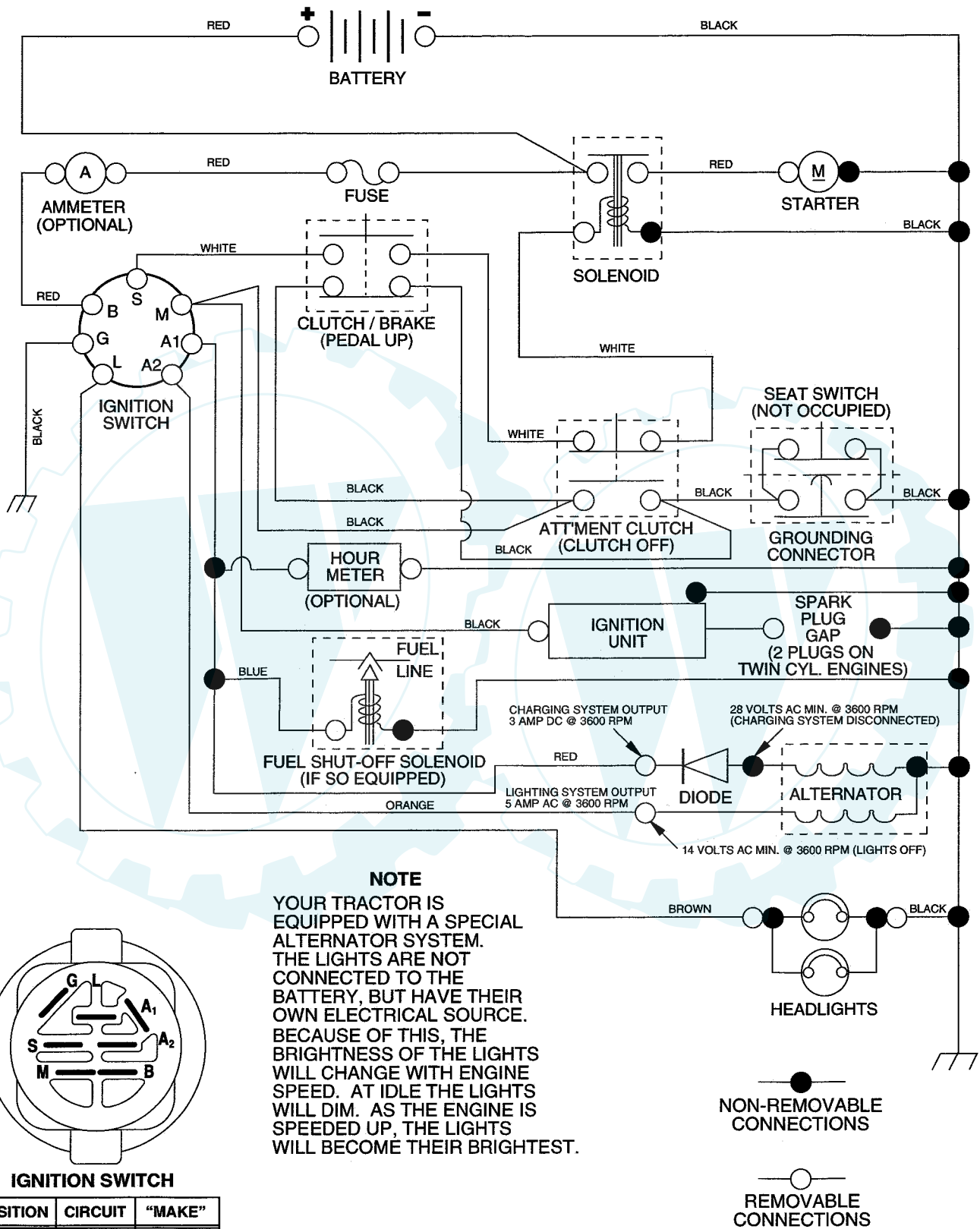


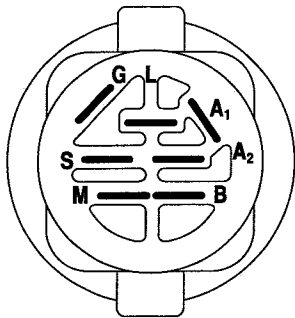
TRACTOR - MODEL NO. RZ12542B, PRODUCT NO. 954 56 72-91

SCHEMATIC



NOTE

YOUR TRACTOR IS EQUIPPED WITH A SPECIAL ALTERNATOR SYSTEM. THE LIGHTS ARE NOT CONNECTED TO THE BATTERY, BUT HAVE THEIR OWN ELECTRICAL SOURCE. BECAUSE OF THIS, THE BRIGHTNESS OF THE LIGHTS WILL CHANGE WITH ENGINE SPEED. AT IDLE THE LIGHTS WILL DIM. AS THE ENGINE IS SPEEDED UP, THE LIGHTS WILL BECOME THEIR BRIGHTEST.



IGNITION SWITCH

POSITION	CIRCUIT	"MAKE"
OFF	M+G+A1	NONE
RUN/LIGHT	B+A1	A2+L
RUN	B+A1	NONE
START	B + S + A1	NONE

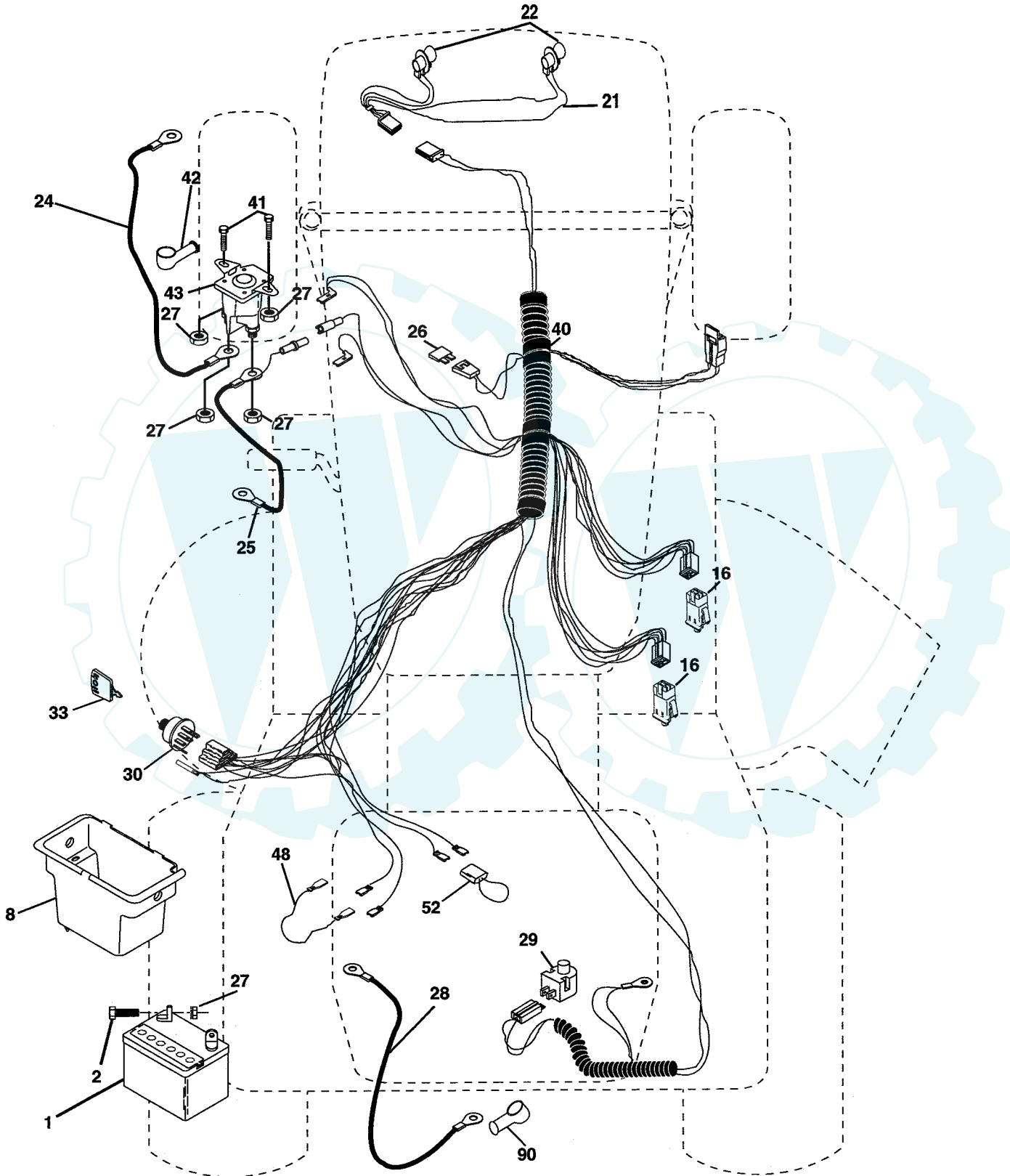
WIRING INSULATED CLIPS

NOTE: IF WIRING INSULATED CLIPS WERE REMOVED FOR SERVICING OF UNIT, THEY SHOULD BE REPLACED TO PROPERLY SECURE YOUR WIRING.

REPAIR PARTS

TRACTOR - MODEL NO. RZ12542B, PRODUCT NO. 954 56 72-91

ELECTRICAL



REPAIR PARTS

www.ersatzteil-service.de

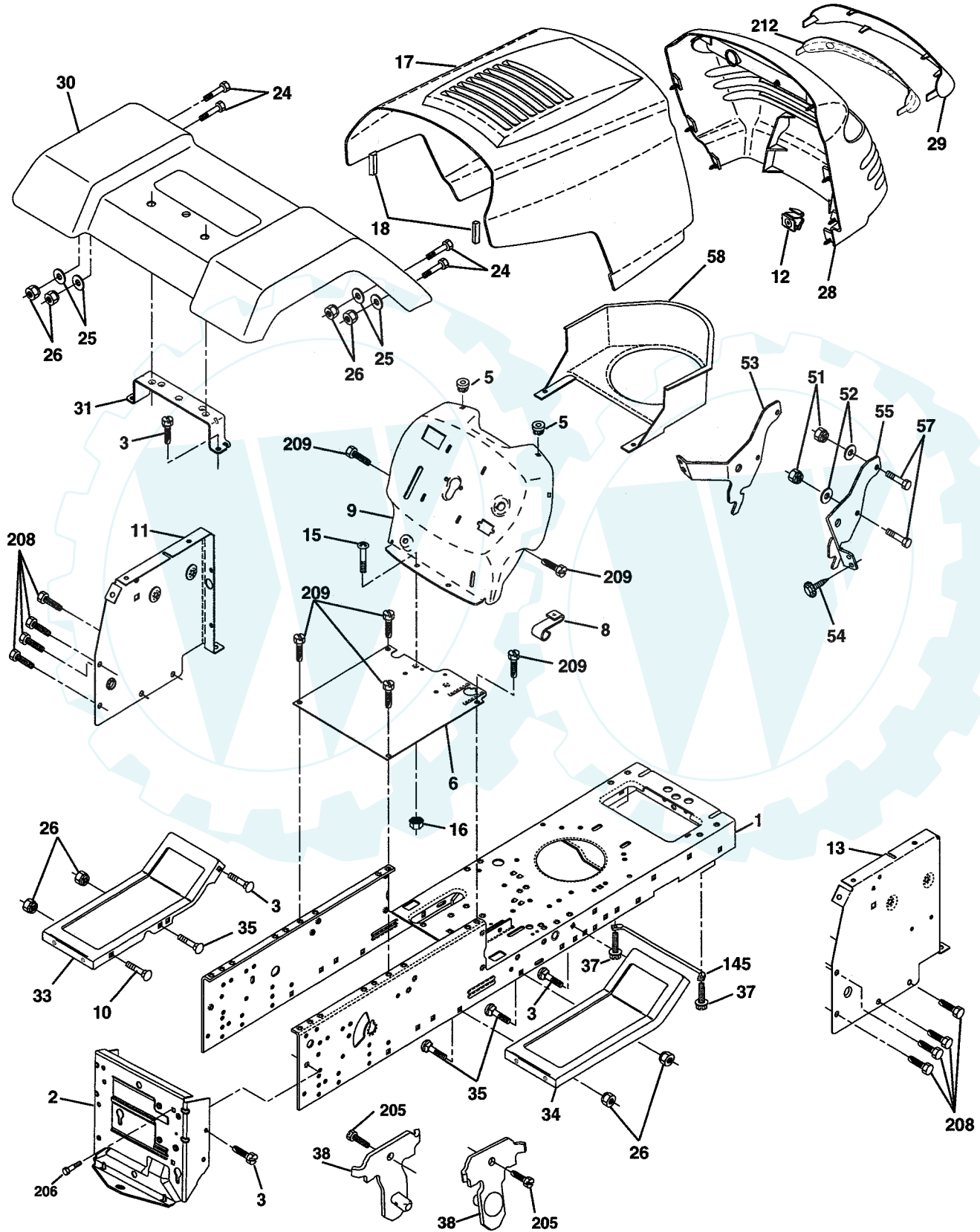
TRACTOR - MODEL NO. RZ12542B, PRODUCT NO. 954 56 72-91
ELECTRICAL

KEY NO.	PART NO.	DESCRIPTION
1	532 16 34-65	Battery 12 Volt 28 AMP
2	874 76 04-12	Bolt Hex Hd 1/4-20unc X 3/4
8	532 17 66-89	Battery Box Fender
16	532 17 61-38	Switch Interlock Push-In
21	532 17 56-85	Harness Asm Light W/4152j
22	532 00 41-52	Bulb Light #1156
24	532 12 47-80	Cable Battery 6 Ga 11" red
25	532 14 61-47	Cable Battery 6 Ga 44" red w/16 wire
26	532 17 51-58	Fuse
27	873 51 04-00	Nut Keps Hex 1/4-20 Unc
28	532 12 47-73	Cable Ground 6 Ga 12" black
29	532 12 13-05	Switch Plunger Nc Gray
30	532 17 55-66	Switch Ign
33	532 14 04-01	Key Ign Molded Generic
40	532 17 97-20	Harness Ign.
41	871 11 04-08	Bolt Bik Fin Hex 1/4 - 20 x 1/2
42	532 13 15-63	Cover Terminal Red
43	532 17 88-61	Solenoid
48	532 14 08-44	Adapter Ammeter Rectangular
52	532 14 19-40	Protection Wire Loop
90	532 18 04-49	Cover Terminal

NOTE: All component dimensions given in U.S. inches.
1 inch = 25.4 mm.

REPAIR PARTS

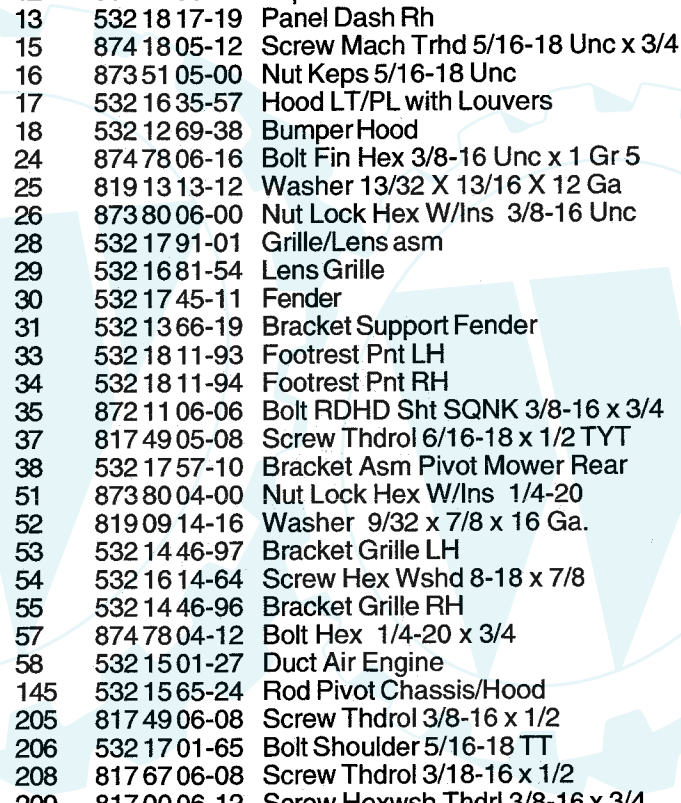
TRACTOR - MODEL NO. RZ12542B, PRODUCT NO. 954 56 72-91 CHASSIS AND ENCLOSURES



REPAIR PARTS

www.ersatzteil-service.de

TRACTOR - MODEL NO. RZ12542B, PRODUCT NO. 954 56 72-91 CHASSIS AND ENCLOSURES



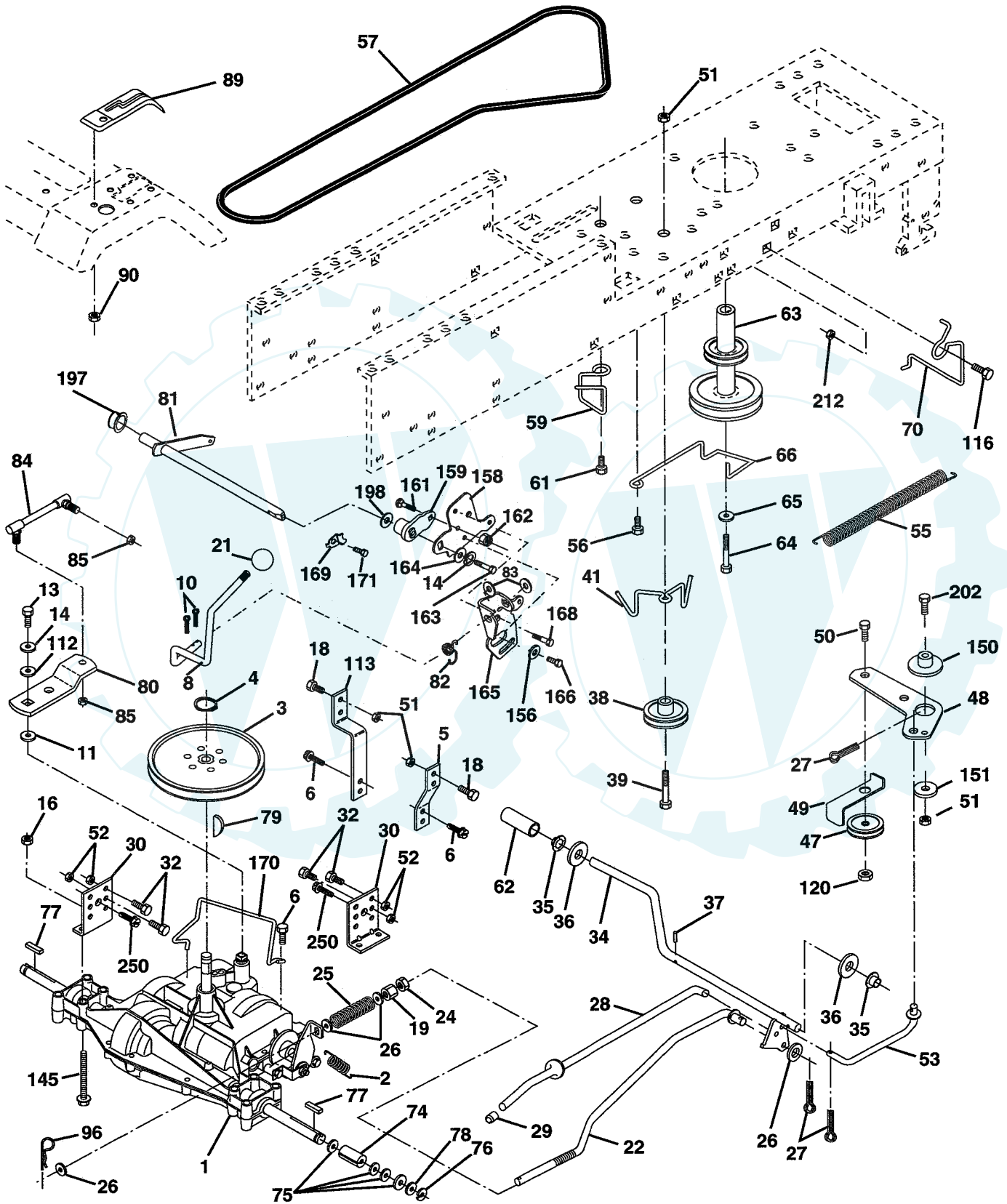
KEY NO.	PART NO.	DESCRIPTION
1	532 17 46-20	Chassis Stamping
2	532 17 65-54	Drawbar
3	817 06 06-12	Screw 3/8-16x3/4
5	532 15 52-72	Bumper Hood/Dash
6	532 15 59-23	Saddle Flat LT Fender Shift
8	532 15 51-38	Clip Retainer
9	532 17 22-43	Dash P/L
10	872 14 06-08	Bolt Carriage 3/8-16 x 1
11	532 17 49-96	Panel Dash Lh
12	532 14 56-60	Clip Tinnerman Grille P/L
13	532 18 17-19	Panel Dash Rh
15	874 18 05-12	Screw Mach Trhd 5/16-18 Unc x 3/4
16	873 51 05-00	Nut Keps 5/16-18 Unc
17	532 16 35-57	Hood LT/PL with Louvers
18	532 12 69-38	Bumper Hood
24	874 78 06-16	Bolt Fin Hex 3/8-16 Unc x 1 Gr 5
25	819 13 13-12	Washer 13/32 X 13/16 X 12 Ga
26	873 80 06-00	Nut Lock Hex W/Ins 3/8-16 Unc
28	532 17 91-01	Grille/Lens asm
29	532 16 81-54	Lens Grille
30	532 17 45-11	Fender
31	532 13 66-19	Bracket Support Fender
33	532 18 11-93	Footrest Pnt LH
34	532 18 11-94	Footrest Pnt RH
35	872 11 06-06	Bolt RDHD Sht SQNK 3/8-16 x 3/4
37	817 49 05-08	Screw Thdrol 6/16-18 x 1/2 TYT
38	532 17 57-10	Bracket Asm Pivot Mower Rear
51	873 80 04-00	Nut Lock Hex W/Ins 1/4-20
52	819 09 14-16	Washer 9/32 x 7/8 x 16 Ga.
53	532 14 46-97	Bracket Grille LH
54	532 16 14-64	Screw Hex Wshd 8-18 x 7/8
55	532 14 46-96	Bracket Grille RH
57	874 78 04-12	Bolt Hex 1/4-20 x 3/4
58	532 15 01-27	Duct Air Engine
145	532 15 65-24	Rod Pivot Chassis/Hood
205	817 49 06-08	Screw Thdrol 3/8-16 x 1/2
206	532 17 01-65	Bolt Shoulder 5/16-18 TT
208	817 67 06-08	Screw Thdrol 3/18-16 x 1/2
209	817 00 06-12	Screw Hexwsh Thdrl 3/8-16 x 3/4
212	532 15 62-29	Insert Lens Reflective
--	532 00 54-79	Plug Button

NOTE: All component dimensions given in U.S. inches
1 inch = 25.4 mm

REPAIR PARTS

TRACTOR - MODEL NO. RZ12542B, PRODUCT NO. 954 56 72-91

DRIVE



REPAIR PARTS

www.ersatzteil-service.de

TRACTOR - MODEL NO. RZ12542B, PRODUCT NO. 954 56 72-91

DRIVE

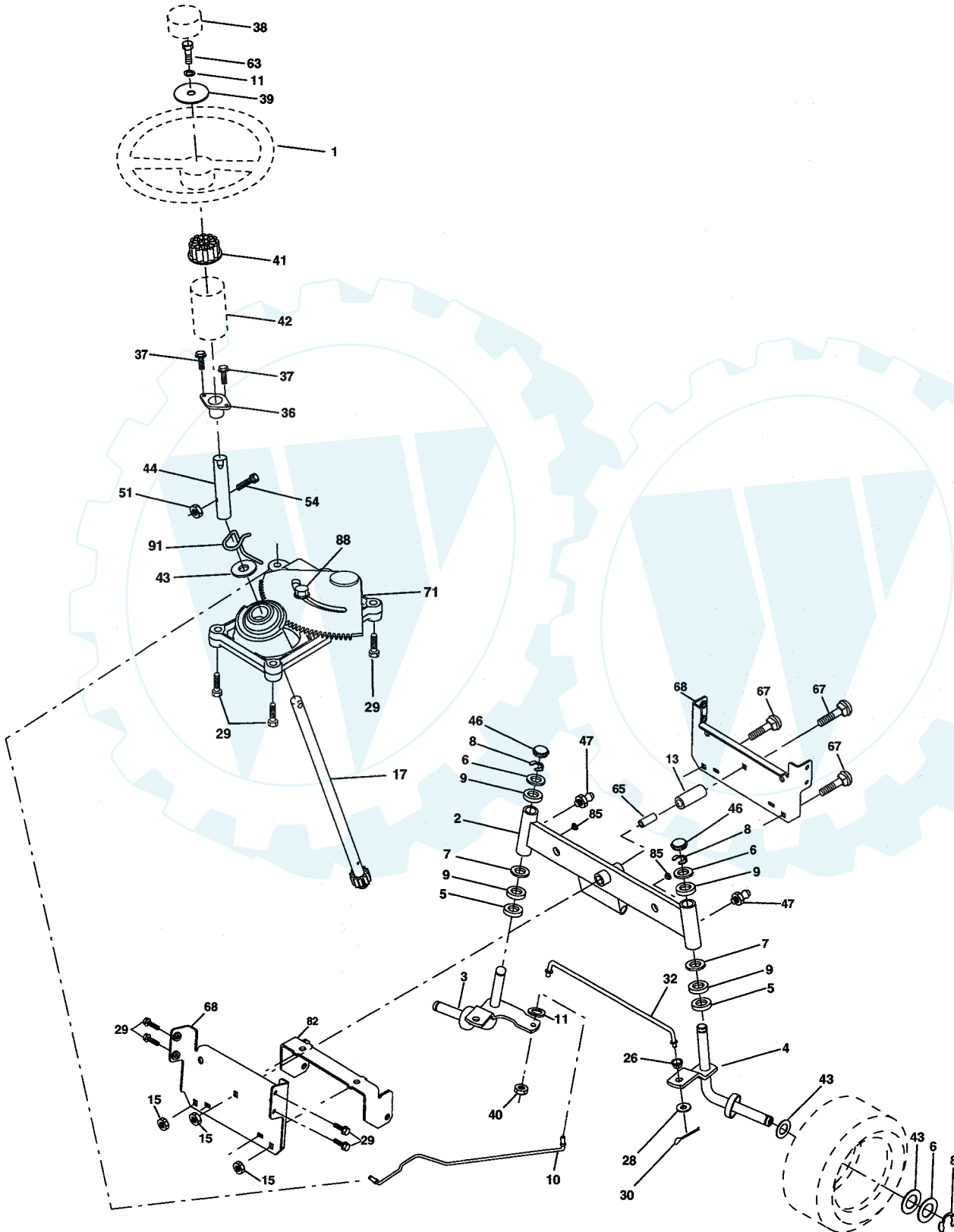
KEY NO.	PART NO.	DESCRIPTION	KEY NO.	PART NO.	DESCRIPTION
1	-----	Transaxle Peerless 205-544C (Order parts from transaxle manufacturer)	64	871 17 07-64	Bolt Hex 7/16-20 x 4
2	532 14 66-82	Spring Return Brake T/a Zinc	65	810 04 07-00	Washer Lock Hvy Hlcl Spr 7/16
3	532 12 36-66	Pulley Transaxle 18"tires	66	532 15 47-78	Keeper Belt Engine F-Proof
4	812 00 00-28	Ring Retainer # 5100-62	70	532 18 02-18	Guide Belt Mower Drive RH
5	532 12 15-20	Strap Torque 30 Degrees	74	532 13 70-57	Spacer Axle
6	817 06 05-12	Screw 5/16-18 X 3/4	75	532 12 17-49	Washer 25/32 X 1 1/4 X 16 Ga
8	532 16 56-19	Rod Shifter	76	812 00 00-01	E-ring #5133-75
10	876 02 04-16	Pin Cotter 1/8 X 1 Cad	77	532 12 35-83	Key Square 2 0 X 1845/ 1865
11	532 10 57-01	Washer Plate Shf 388 Sq Hole	78	532 12 17-48	Washer 25/32 X 1-5/8 X 16 Ga
13	874 55 04-12	Bolt 1/4-28 Unf Gr 8 W/Patch	79	532 12 50-96	Key Woodruff
14	810 04 04-00	Washer Lock Hvy Helical 1/4	80	532 13 14-86	Arm Shift Transaxle
16	873 80 05-00	Nut Lock Hx W/Ins 5/16-18 Unc	81	532 16 55-94	Shaft Asm Cross
18	874 78 06-16	Bolt Fin Hex 3/8-16 UNC x 1 Gr. 5	82	532 12 37-82	Spring Torsion T/a
19	873 80 06-00	Nut Lock 3/8-16 Unc	83	819 17 12-16	Washer 17/32 X 3/4 X 16 Ga
21	532 10 69-33	Knob 1/2-13	84	532 16 62-28	Link Transaxle
22	532 13 08-04	Rod Brake Blk Zinc 26 840	85	532 15 03-60	Nut Nylock 1/4 - 28
24	873 35 06-00	Nut Hex Jam 3/8-16 Unc	89	532 17 37-74	Console Shift
25	532 10 68-88	Spring Rod Brake 2 00 Zinc	90	532 12 43-46	Nut Self-thd Wsh-hd 1/4 Zinc
26	819 13 13-16	Washer 13/32 X 13/16 X 16 Ga	96	532 12 47-88	Retainer Spring 1" Zinc/Cad
27	876 02 04-12	Pin Cotter 1/8 X 3/4 Cad	112	819 09 12-10	Washer 9/32 x 3/4 x 10 Ga.
28	532 17 57-65	Rod Brake Parking LT/YT	113	532 12 72-85	Strap Torque Lt
29	532 07 16-73	Cap Brake Parking Black	116	872 14 06-08	Bolt Rd Sq Neck 3/8-16 x 1
30	532 17 49-73	Bracket Mtg Transaxle	120	873 90 06-00	Nut Lock Flg 3/8-16
32	874 76 05-12	Bolt Hex Hd 5/16-18unc X 3/4	145	874 49 05-40	Bolt Hex 5/16-18FLGHD
34	532 17 55-78	Shaft Asm Pedal Foot	150	532 17 54-56	Spacer Retainer
35	532 12 01-83	Bearing Nylon Blk 629 Id	151	819 13 32-10	Washer 13/32 x 2 x 10 Ga.
36	819 21 16-16	Washer 21/32 X 1 X 16 Ga	156	532 16 60-02	Washer Srted 5/16 ID x 1 .125
37	532 12 49-63	Pin Roll 3/16 X 1"	158	532 16 55-89	Bracket Shift Mount
38	532 17 91-14	Pulley Composite Flat	159	532 16 54-94	Hub Tapered Flange Shift LT
39	874 76 06-48	Bolt Fin Hex 3/8-16 Unc x 3	161	872 14 04-06	Bolt Rdhd Sqnk 1/4-20 x 3/4 Gr 5
41	532 17 55-56	Keeper Belt Idler	162	873 68 04-00	Nut Crownlock 1/4-20 Unc
47	532 12 77-83	Pulley Idler V Groove Plastic	163	874 78 04-16	Bolt Hex Fin 1/4-20 Unc x 1 Gr. 5
48	532 15 44-07	Bellcrank Clutch Grnd Drw STL	164	819 09 10-10	Washer 5/8 x .281 x 10 Ga.
49	532 12 32-05	Retainer Belt Style Spring	165	532 16 56-23	Bracket Pivot Lever
50	874 76 06-24	Bolt Hex Hd 3/8-16unc X 1-1/2	166	532 16 68-80	Screw 5/16-18 x 5/8
51	873 68 06-00	Nut Crownlock 3/8-16 Unc	168	532 16 54-92	Bolt Shoulder 5/16-18 x .561
52	873 68 05-00	Nut Crownlock 5/16-18 Unc	169	532 16 55-81	Plate Fastening LT
53	532 10 57-10	Link Clutch 7 66	170	532 17 83-94	Keeper Belt Transaxle
55	532 10 57-09	Spring Return Clutch 6 75	171	817 49 06-08	Screw Thdrol 3/8-16 x 1/2
56	817 06 06-20	Screw 3/8-16 X 1-1/4	197	532 16 96-13	Nyliner Snap-In 5/8" ID
57	532 13 08-01	V-Belt Ground Drive 95 25 42"	198	532 16 95-93	Washer Nyl 7/8 ID x .105"
59	532 16 96-91	Keeper Belt Span Ctr	202	872 11 06-14	Bolt Carr Sh 3/8-16 x 1-1/2 Gr 5
61	817 12 06-14	Screw 3/8-16 x .875	212	532 14 52-12	Nut Hex Flg Lock
62	532 12 48-72	Cover Pedal	250	817 06 06-12	Screw 3/8-16 x .75
63	532 18 02-19	Engine Pulley			

NOTE: All component dimensions given in U.S. inches
1 inch = 25.4 mm

REPAIR PARTS

www.ersatzteil-service.de

TRACTOR - MODEL NO. RZ12542B, PRODUCT NO. 954 56 72-91 STEERING ASSEMBLY



REPAIR PARTS

www.ersatzteil-service.de

TRACTOR - MODEL NO. RZ12542B, PRODUCT NO. 954 56 72-91 STEERING ASSEMBLY

KEY NO.	PART NO.	DESCRIPTION
1	532 17 59-04	Wheel Steering
2	532 17 51-31	Axle Asm STMP Dropped STL
3	532 16 98-40	Spindle Asm LH
4	532 16 98-39	Spindle Asm RH
5	532 12 49-31	Bearing Race Thrust Harden
6	532 12 17-48	Washer 25/32 X 1-5/8 X 16 Ga
7	819 27 20-16	Washer 27/32 X 1-1/4 X 16 Ga
8	812 00 00-29	Ring Klip #t5304-75
9	532 12 49-37	Bearing Col Strg Blk
10	532 17 51-21	Link Drag
11	810 04 06-00	Washer Lock Hvy Hlcl Spr 3/8
13	532 13 65-18	Spacer Brg Axle Front
15	532 14 52-12	Nut Hex Flange Lock
17	532 17 78-76	Shaft Asm Strg
26	532 12 68-47	Bushing Link Drag
28	819 13 14-16	Washer 13/32 X 7/8 X 16ga.
29	817 06 06-12	Screw 3/8-16x3/4
30	876 02 04-12	Pin Cotter 1/8 X 3/4 Cad.
32	532 13 04-65	Rod Tie
36	532 15 50-99	Bushing Strg
37	532 15 29-27	Screw
38	532 17 59-05	Insert Cap Strg Wh
39	819 13 38-12	Washer 13/32 X 2-3/8 x 2 Ga
40	532 12 47-01	Lock nut
41	532 10 07-11	Adaptor Wheel Strg
42	532 16 96-33	Boot Steering Shaft
43	532 12 17-49	Washer 25/32 X 1 1/4 X 16 Ga
44	532 15 37-20	Extension Steering Shaft LR/LT
46	532 12 12-32	Cap Spindle Fr Top Blk
47	532 12 48-36	Fitting Grease
51	873 80 05-00	Nut Lock Hex w/Ins 5/16-18
54	874 78 05-20	Bolt Fin Hex 5/16-18 Unc x 1-1/4
63	874 78 06-16	Bolt Fin Hex 3/8-16unc x 1 Gr. 5
65	532 16 03-67	Spacer Brace Axle
67	872 14 06-18	Bolt Rdhd Sq 3/8-16 x 2-1/4
68	532 16 98-27	Axle, Brace
71	532 17 51-46	Steering Asm
82	532 16 98-35	Bracket Susp Chassis Front
85	532 13 38-35	Fastner Christmas Tree
88	532 17 51-18	Bolt Shoulder 7/16-20
91	532 17 55-53	Clip Steering

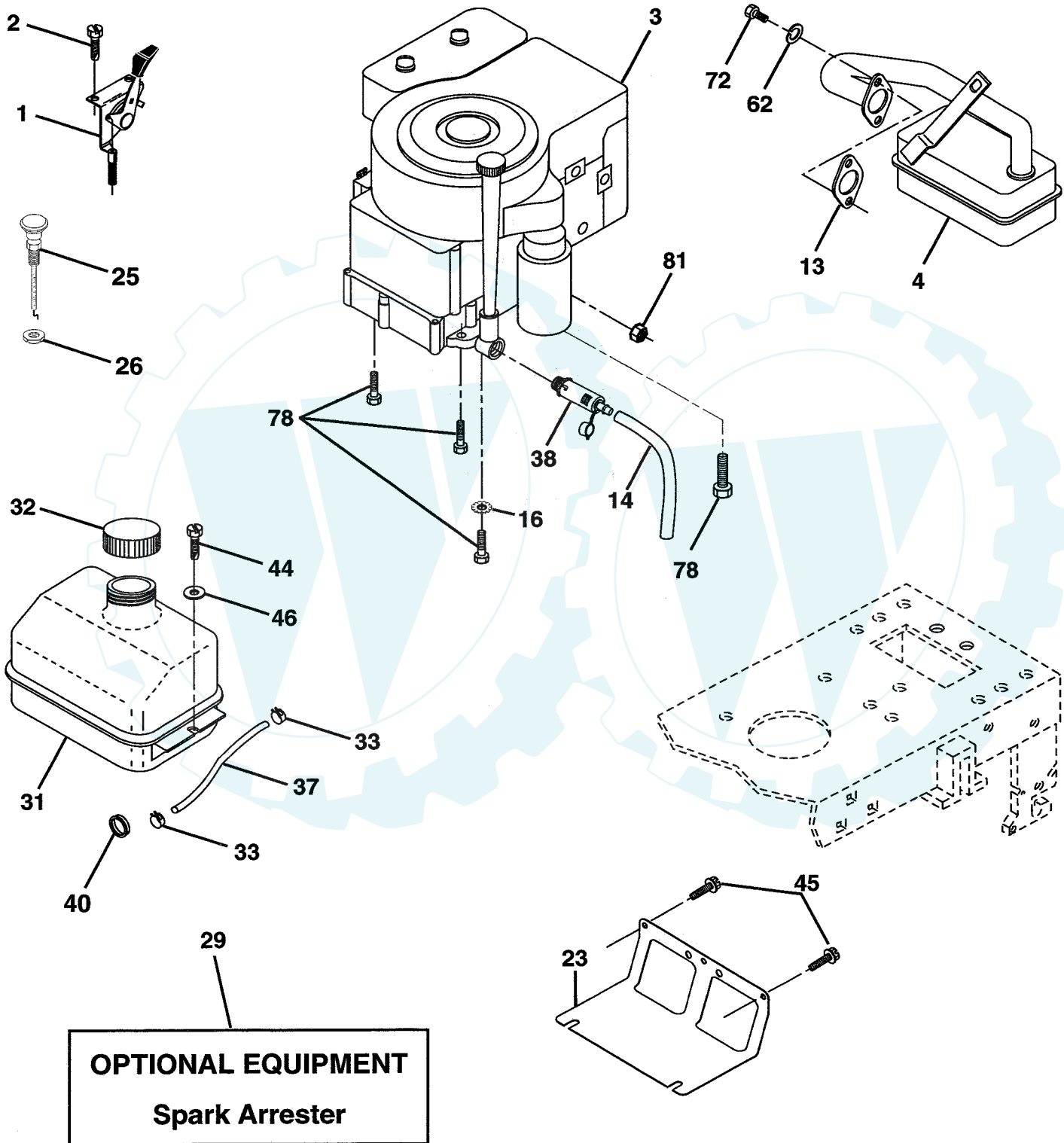
NOTE: All component dimensions given in U.S. inches.
1 inch = 25.4 mm.

REPAIR PARTS

www.ersatzteil-service.de

TRACTOR - MODEL NO. RZ12542B, PRODUCT NO. 954 56 72-91

ENGINE



REPAIR PARTS

TRACTOR - MODEL NO. RZ12542B, PRODUCT NO. 954 56 72-91 ENGINE

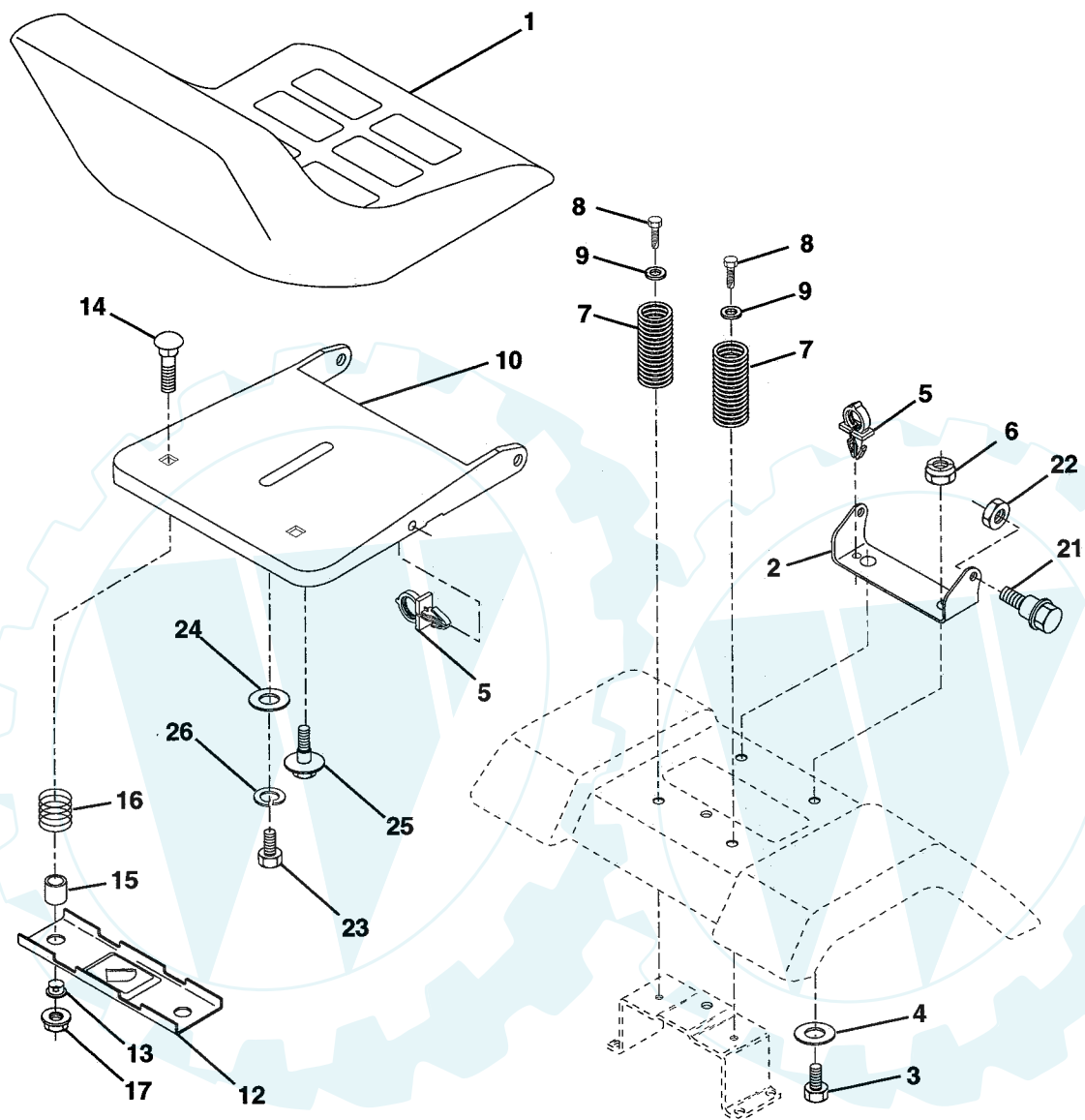
KEY NO.	PART NO.	DESCRIPTION
1	532 17 05-51	Control Th/ch B&S EEC Flag
2	817 72 04-08	Screw Hex Thd Cut 1/4-20 x 1/2
3	-----	Engine B&S Model No. 289707 Order parts from engine manufacturer
4	532 13 73-48	Muffler LT B&S
13	532 16 52-91	Gasket
14	532 14 84-56	Tube Drain Oil Easy
16	811 05 06-00	Washer Lock Ext Tooth 3/8
25	532 18 09-45	Control Choke
26	873 92 06-00	Nut Keps 3/8-24 Unf
23	532 16 98-37	Shield Brn/Dbr Guard
29	532 13 71-80	Kit Spark Arrestor (Flat Scrn)
31	532 10 92-02	Tank Fuel
32	532 14 05-27	Cap Asm Fuel W/sym Vented
33	532 12 34-87	Clamp Hose Black
37	532 13 70-40	Line Fuel 20"
38	532 14 83-15	Plug Drain Oil Easy
40	532 12 40-28	Bushing Snap Nyl Blk Fuel Line
44	817 67 04-12	Screw Hexwsh Thdrol 1/4-20x3/4
45	817 00 06-12	Screw Hexwsh Thdr 3/8-16 x 3/4
46	819 09 14-16	Washer 9/32 X 7/8 X 16 Ga
62	810 04 05-00	Washer Lock Hvy Hlcl Spr 5/16
72	871 07 05-12	Screw Hexhd Cap 5/16-18x 3/4
78	817 06 06-20	Screw 3/8-16x1-1/4
81	873 51 04-00	Nut Keps Hex 1/4-20 Unc

NOTE: All component dimensions given in U.S. inches
1 inch = 25.4 mm

REPAIR PARTS

TRACTOR - MODEL NO. RZ12542B, PRODUCT NO. 954 56 72-91

SEAT ASSEMBLY



KEY NO.	PART NO.	DESCRIPTION
1	532 1274-26	Seat
2	532 1405-51	Bracket Pivot Seat 8 720
3	871 1106-16	Bolt Fin Hex 3/8-16unc X 1
4	819 1316-10	Washer 13/32 X 1 X 10 Ga
5	532 1450-06	Clip Push-In
6	873 8006-00	Nut Hex w/Ins. 3/8-16 Unc
7	532 1241-81	Spring Seat Cprsn 2 250 Blk Zi
8	817 0006-16	Screw 3/8-16 X 1-1/2
9	819 1316-14	Washer 13/32 X 1 X 14 Ga.
10	532 1824-93	Pan Seat
12	532 1212-46	Bracket Mounting Switch
13	532 1212-48	Bushing Snap Blk Nyl 50 Id

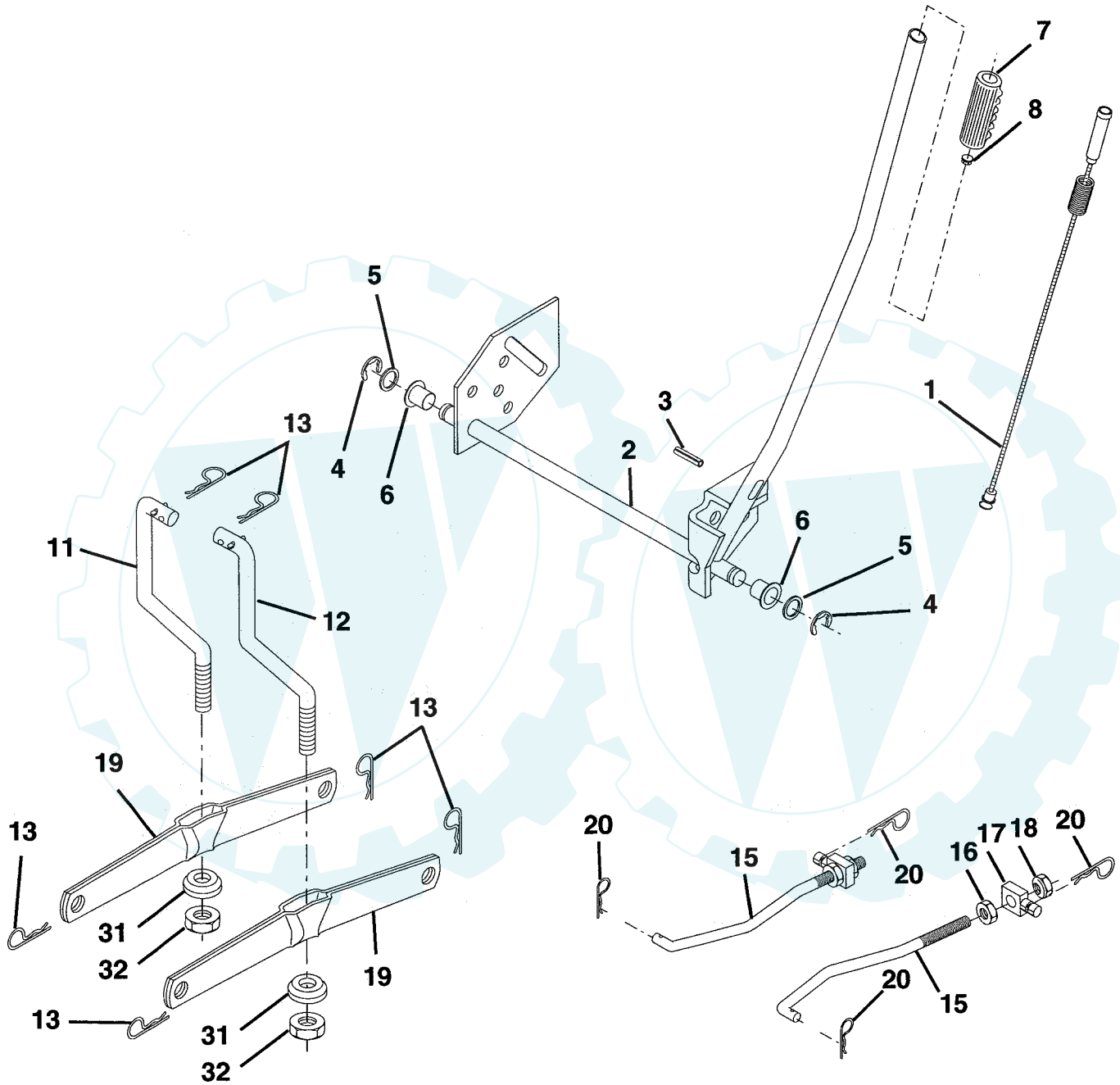
KEY NO.	PART NO.	DESCRIPTION
14	872 0504-12	Bolt Rdhd Sqnk 1/4-20x1-1/2
15	532 1343-00	Spacer Split 28x96 Yel Zinc
16	532 1212-50	Spring Cprsn 1 327 Blk Pnt
17	532 1239-76	Nut Lock 1/4 Lge Flg Gr 5 Zinc
21	532 1718-52	Bolt Shoulder 5/16-18 Unc
22	873 8005-00	Nut Hex Lock W/Ins 5/16-18
23	871 1108-14	Bolt Hex Black
24	819 1719-12	Washer 17/32 X 1-3/16 X 12 Ga.
25	532 1270-18	Bolt Shoulder 5/16-18 X 62
26	810 0408-00	Washer Lock Hvy HLCL Spr 1/2

NOTE: All component dimensions given in U.S. inches.
1 inch = 25.4 mm

REPAIR PARTS

TRACTOR - MODEL NO. RZ12542B, PRODUCT NO. 954 56 72-91

MOWER LIFT



REPAIR PARTS

www.ersatzteil-service.de

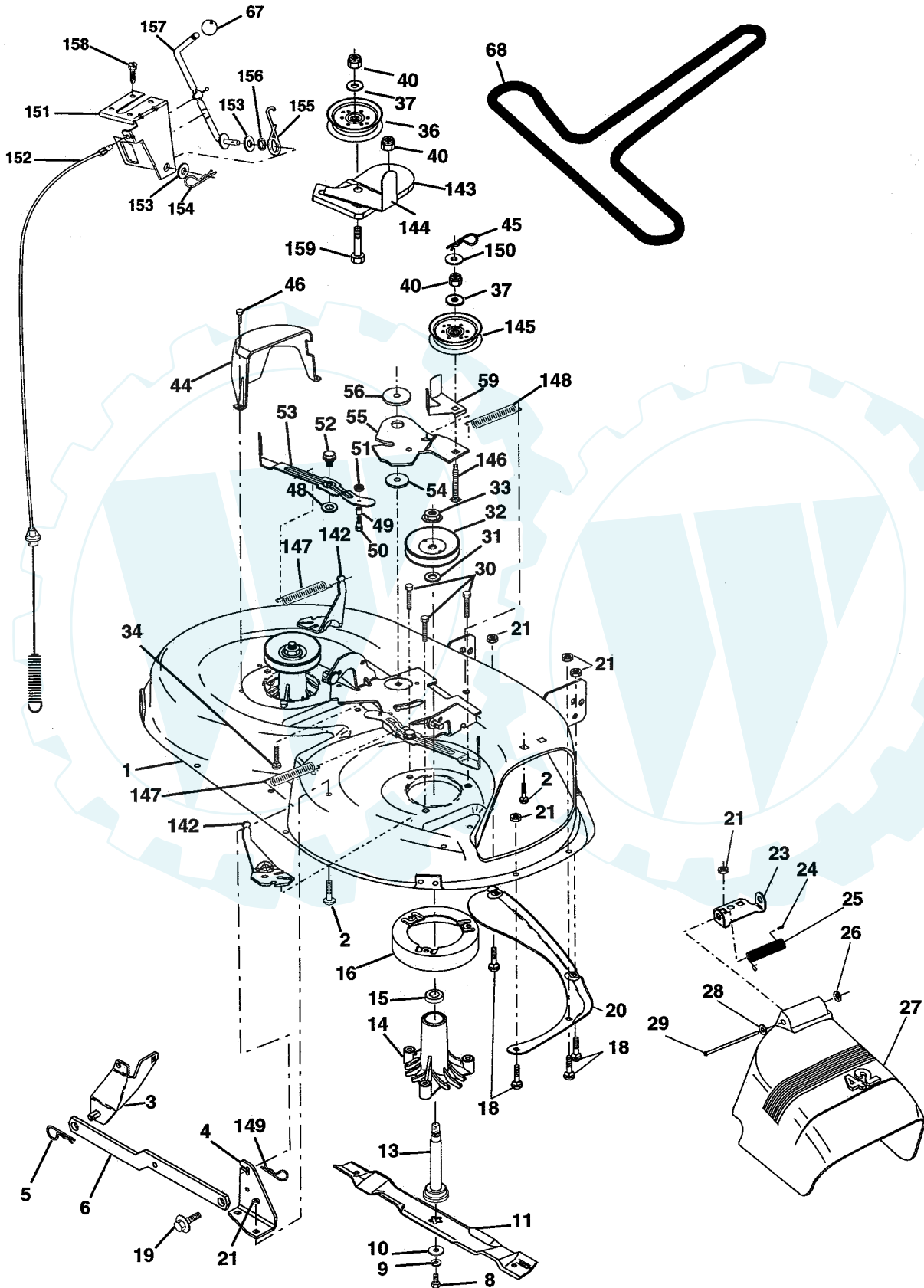
**TRACTOR - MODEL NO. RZ12542B, PRODUCT NO. 954 56 72-91
MOWER LIFT**

KEY NO.	PART NO.	DESCRIPTION
1	532 1594-60	Wire Asm Inner W/plunger
2	532 1594-71	Shaft Asm Lift RH
3	532 1057-67	Pin Groove 1 500 Zinc
4	812 0000-02	E Ring #5133-62
5	81921 16-21	Washer 21/32 X 1 X 21 Ga
6	532 1201-83	Bearing Nylon Blk 629 Id
7	532 1094-13	Grip Handle
8	532 1245-26	Button Plunger
11	532 1398-65	Link Lift LH Fixed Length
12	532 1398-66	Link Lift RH Fixed Length
13	532 1246-70	Retainer Spring
15	532 1732-88	Link Front
16	873 3508-00	Nut Jam Hex 1/2-13 Unc
17	532 1756-89	Trunnion Blk Zinc
18	873 8008-00	Nut Lock w/wsh 1/2-13 Unc
19	532 1398-68	Arm Suspension Rear
20	532 1635-52	Retainer Spring
31	532 1698-65	Bearing Pvt Lift
32	873 5406-00	Nut Crownlock 3/8-24

NOTE: All component dimensions given in U.S. inches
1 inch = 25.4 mm

REPAIR PARTS

TRACTOR - MODEL NO. RZ12542B, PRODUCT NO. 954 56 72-91
MOWER DECK



REPAIR PARTS

www.ersatzteil-service.de

TRACTOR - MODEL NO. RZ12542B, PRODUCT NO. 954 56 72-91 MOWER DECK

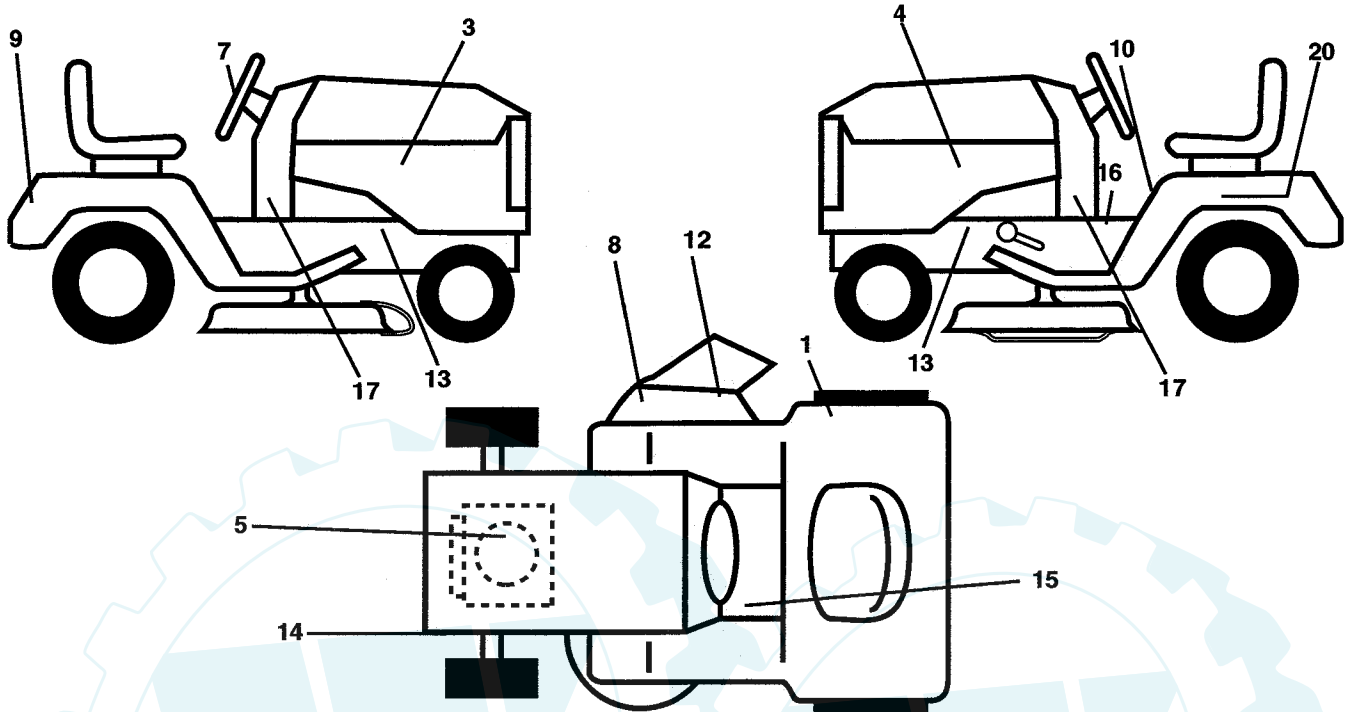
KEY NO.	PART NO.	DESCRIPTION	KEY NO.	PART NO.	DESCRIPTION
1	532 16 58-92	Housing Asm Mower	49	532 17 42-84	Roller Asm Cam Follower 42" dec
2	872 14 05-06	Bolt Rdhd Sqnk 5/16-18unc X3/4	50	532 13 13-40	Bolt Shldr 10-24 Zinc Gr 5 42"
3	532 13 80-17	Bracket Asm Fr Sway Bar 38/42	51	532 06 91-80	Nut Lock #10-24 Unc
4	532 16 54-60	Bracket Asm Deck 42"sway Bar	52	532 13 98-88	Bolt Shoulder 5/16-18 Unc Blkz
5	532 12 46-70	Retainer Spring	53	532 13 18-45	Arm Asm Pad Brake
6	532 17 80-24	Bar Sway Deck	54	532 13 39-43	Washer Hardened
8	532 85 08-57	Bolt 3/8-24x1 25 Gr8 Patched	55	532 15 50-46	Arm Idler 42"mower LT/YT
9	810 03 06-00	Washer Lock Hvy 3/8 Unplated	56	532 16 57-23	Spacer Retainer Mower
10	532 14 02-96	Washer Hard Blade Mower Vented	59	532 14 10-43	Guard, Belt
11	532 13 84-98	Blade Mower High Lift"	67	532 10 69-32	Knob Rd 3/8-16 Plstc Thds Blk
13	532 13 76-45	Shaft Asm W/lower Bearing	68	532 18 02-15	V-Belt Mower
14	532 12 87-74	Housing Mandrel Vented(machd)	142	532 16 58-90	Arm Spring Brake Mower
15	532 11 04-85	Bearing Ball Mandrel	143	532 15 71-09	Bracket Arm Idler 42"
16	532 17 44-93	Stripper Round Mower	144	532 15 86-34	Keeper Belt 42" Clutch Cable
18	872 14 05-05	Bolt Carr 5/16-18 X 5/8	145	532 16 58-88	Pulley Idler Flat
19	532 13 28-27	Bolt Shoulder	146	532 17 19-77	Bolt Carriage Idler
20	532 15 97-70	Baffle Vortex	147	532 17 97-48	Spring Extension
21	873 68 05-00	Nut Crown Lock 5/16-18	148	532 16 90-22	Spring Return Idler
23	532 17 75-63	Bracket Deflector Mower 42"	149	532 16 58-98	Retainer Spring Yellow
24	532 10 53-04	Cap Sleeve 80x 112 Blk Mower	150	819 09 12-16	Washer 9/32 x 3/4 x 16 Ga.
25	532 12 37-13	Spring Torsion Deflector 2 52	151	532 16 96-70	Bracket Clutch Cable
26	532 11 04-52	Nut Push Phos & Oil	152	532 18 15-55	Clutch Cable 42"
27	532 17 18-59	Shield Deflector	153	532 16 96-74	Washer Flat 3/8" Type B
28	819 11 10-16	Washer 11/32 X 5/8 X 16 Ga	154	532 16 96-75	Spring Retainer
29	532 13 14-91	Rod Hinge 42"6 75 Wlg	155	532 16 96-71	Spring Retention Lvr Cltch Cab
30	532 17 39-84	Screw Thdrol Washer Head	156	532 16 96-72	Spacer Clutch Cable
31	532 12 99-63	Washer Spacer Mower Vented	157	532 16 96-69	Rod Clutch Cable 3/8"
32	532 15 35-35	Pulley Mandrel	158	817 72 04-08	Screw Hex Thd Cut 1/4-20 x 1/2
33	532 17 83-42	Nut 9/16top Lock Fing Cntr	159	872 14 06-14	Bolt Rdhd Sqn 3/8-16 Unc x 1-3/4
34	872 11 06-14	Bolt RDHD 3/8-16 UNC x 2-3/4 Gr.5	--	532 18 19-25	Replacement Mower Complete
36	532 13 14-94	Pulley Idler Flat 3 060	--	532 13 07-94	Mandrel Assembly (Includes Housing, Shaft and Shaft Hardware Only - Pulley Not Included)
37	819 13 13-16	Washer 13/32 X 13/16 X 16 Ga			
40	873 68 06-00	Nut Lock 3/8-16 Unc			
44	532 14 00-88	Guard Mandrel LH Black			
45	532 12 47-88	Spring Retainer 1" Zinc/cad			
46	532 13 77-29	Screw Thdrol 1/4-20x5/8			
48	532 13 39-44	Washer Hardened Samller			

NOTE: All component dimensions given in U.S. inches
1 inch = 25.4 mm

REPAIR PARTS

TRACTOR - MODEL NO. RZ12542B, PRODUCT NO. 954 56 72-91

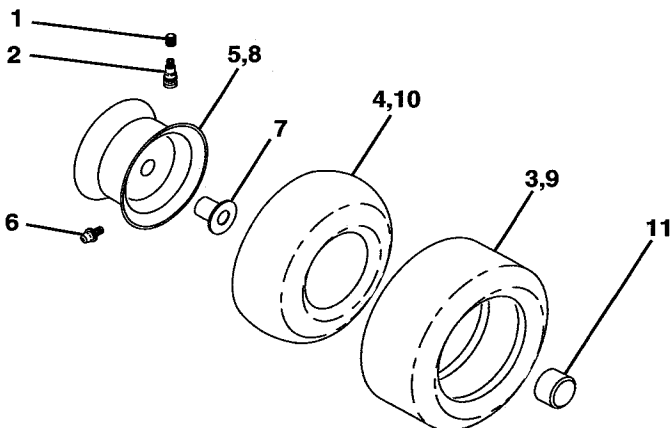
DECALS



KEY NO.	PART NO.	DESCRIPTION
1	532 1804-32	Decal 100 DBA
3	532 18 11-44	Decal Hood RH
4	532 18 11-45	Decal Hood LH
5	532 1708-39	Decal HP Engine
7	532 1469-02	Decal, Ins. Strg Whl. Jons.
8	532 1821-66	Decal Mower Cutfinger
9	532 18 11-46	Decal Fender
10	532 1454-98	Decal Read Owner's Manual Syms.
12	532 1791-28	Decal Deck "B" 42"
13	532 1597-36	Decal Chassis Hot Muffler

KEY NO.	PART NO.	DESCRIPTION
14	532 1603-96	Decal V-Belt Schematic
15	532 1597-37	Decal Brake/Clutch Symbol Lt
16	532 1408-37	Decal Saddle Brake Parking
17	532 1828-55	Decal, Dash Lower
20	532 1450-05	Decal Bat Dan/Psn
--	532 1383-11	Decal Handle Lift Height Adjust
--	532 1625-98	Decal Drawbar Load Limit
--	532 1828-90	Manual Parts
--	532 1828-88	Manual Operator's (Euro.)
--	532 1828-89	Manual Operator's (Scan.)

WHEELS & TIRES



KEY NO.	PART NO.	DESCRIPTION
1	532 0591-92	Cap Valve Tire
2	532 0651-39	Stem Valve
3	532 1062-22	Tire F Ts 15 X 6 0 - 6 Service
4	532 0599-04	Tube Front (Service Item Only)
5	532 14 14-46	Rim Asm 6" front Service
6	532 1249-57	Fitting Grease (Front Wheel Only)
7	532 1249-59	Bearing Flange (Front Wheel Only)
8	532 14 14-47	Rim Asm 8" rear Service
9	532 1246-35	Tire R Ts 18 x 8.5-8 C Service
10	532 1249-26	Tube Rear (Service Item Only)
11	532 1750-39	Cap Axle Blk 1 50 X 1 00
--	532 1443-34	Sealant, Tire (10 oz. Tube)

NOTE: All component dimensions given in U.S. inches
1 inch = 25.4 mm