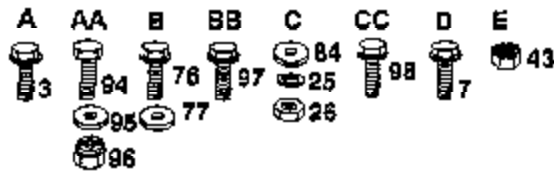
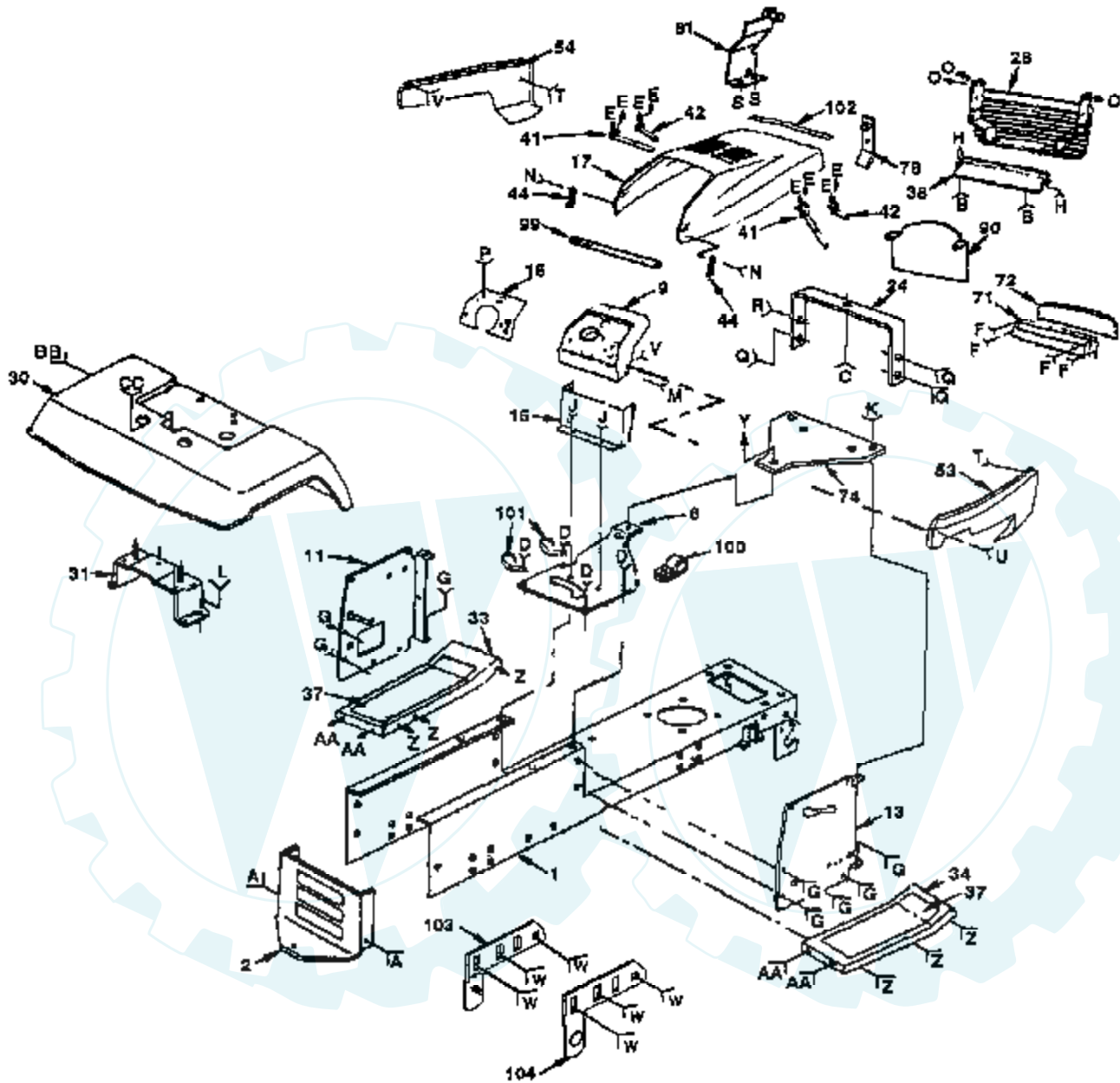


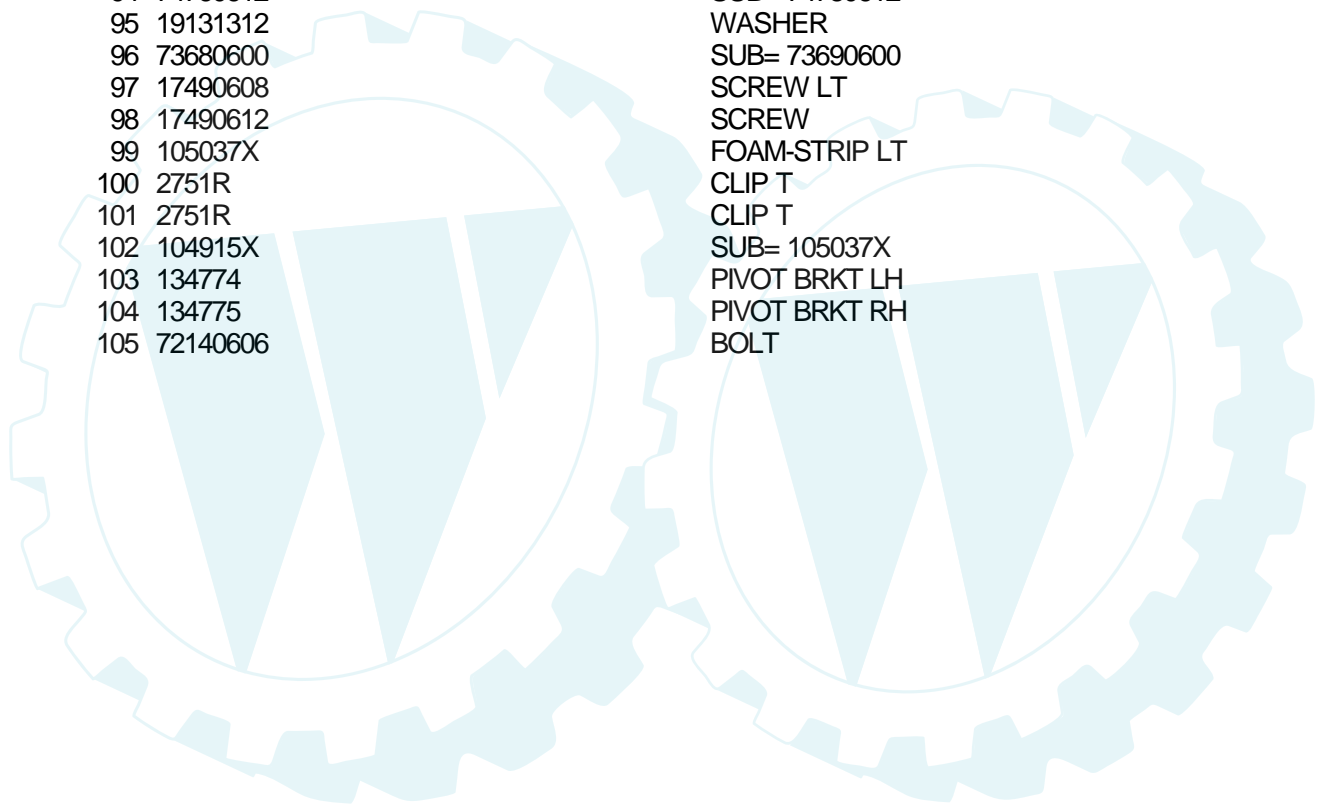
# 12.5 HP 42" TRACTOR - - MODEL NUMBER RY12542A

## CHASSIS AND ENCLOSURES



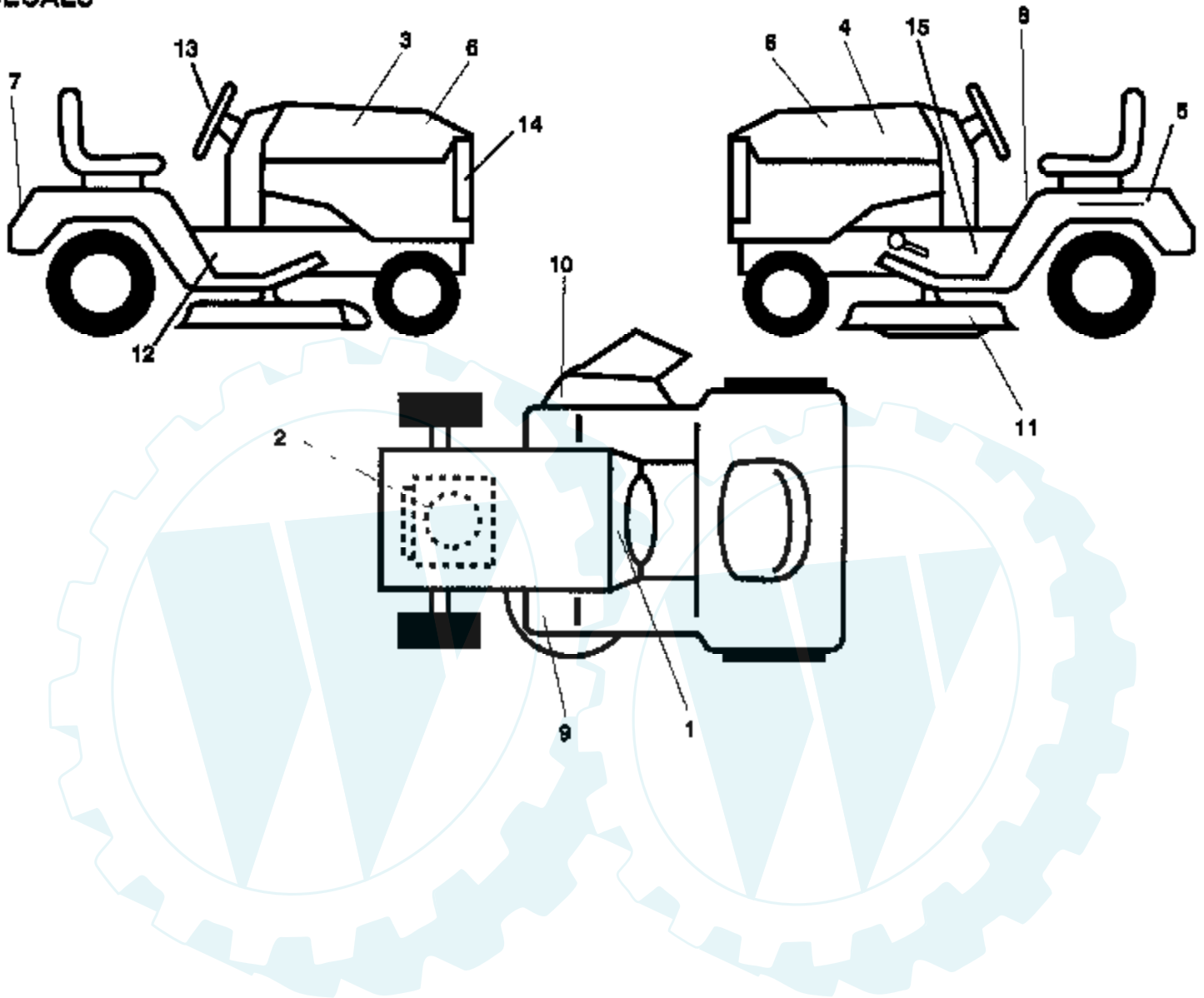
Ref #	Part Number	Qty	Description
1	135034		SUB= 145501
2	130805		SUB= 145009
3	17490612		SCREW
6	131343X021		SADDLE
7	17490608		SCREW LT
9	124252X		SUB= 140398
11	132178		DASH PANEL LH
13	132068		PANEL PNT DASH RH
14	17490612		SCREW
15	125581X015		DASH PLATE
16	132177		LOWER DASH
17	132635X419		HOOD
18	74180512		SCREW
19	19111116		WASHER
20	73510500		NUT
21	74760620		SUB= 74780620
22	19131312		WASHER
23	73680600		SUB= 73690600
24	124130X		SUPPORT ASS'Y
25	10040400		LOCKWASHER
26	73220400		SUB= 50675
27	74180512		SCREW
28	131716		SUB= 532131716
30	109872X419		FENDER
31	109873X		SUB= 136619
32	17490612		SCREW
33	105465X419		SUB= 145244X419
34	105464X419		FOOTREST RH
35	72110606		BOLT
36	73680600		SUB= 73690600
37	131864		"PAD,FOOTREST"
38	105419X419		"STRAP,GRILL "
39	73510500		NUT
41	106784X		SUB= 155013
42	104618X		SUB= 155013
43	73510400		NUT
44	109808X		HOOD LATCH T
45	74191008		SCREW
46	10071000		LOCKWASHER
47	2029J		WELDNUT
48	123481X		SUB= 7605J
49	73680400		SUB= 73690400
53	132636X419		"PANEL,SIDE RH"
54	132637X419		"PANEL,SIDE LH"
55	19091216		WASHER PM
56	73220400		SUB= 50675
57	7206J		SPACER LT
58	19070818		WASHER
59	73731000		NUT
60	74981020		SCREW
66	123198X		SUB= 146525
71	124392X417		SUB= 147717
72	106395X		LENS LT
73	17211010		SCREW LT
74	106965X		SUB= 140181
75	104755X		""""J"" FASTENER LT"
76	17490512		SCREW
77	19131210		WASHER

Ref #	Part Number	Qty	Description
78	132644		SUB= 532132644
79	17490412		SCREW HEX CRT
80	19091016		WASHER
81	121279X		SUB= 532121279
82	17490612		SCREW
84	19091216		WASHER PM
85	74760512		BOLT
87	73510500		NUT
88	74760620		SUB= 74780620
90	133685		BAFFLE HOOD VERT
91	74760612		SUB= 74780612
92	73680600		SUB= 73690600
93	11050600		LOCKWASHER
94	74760612		SUB= 74780612
95	19131312		WASHER
96	73680600		SUB= 73690600
97	17490608		SCREW LT
98	17490612		SCREW
99	105037X		FOAM-STRIP LT
100	2751R		CLIP T
101	2751R		CLIP T
102	104915X		SUB= 105037X
103	134774		PIVOT BRKT LH
104	134775		PIVOT BRKT RH
105	72140606		BOLT

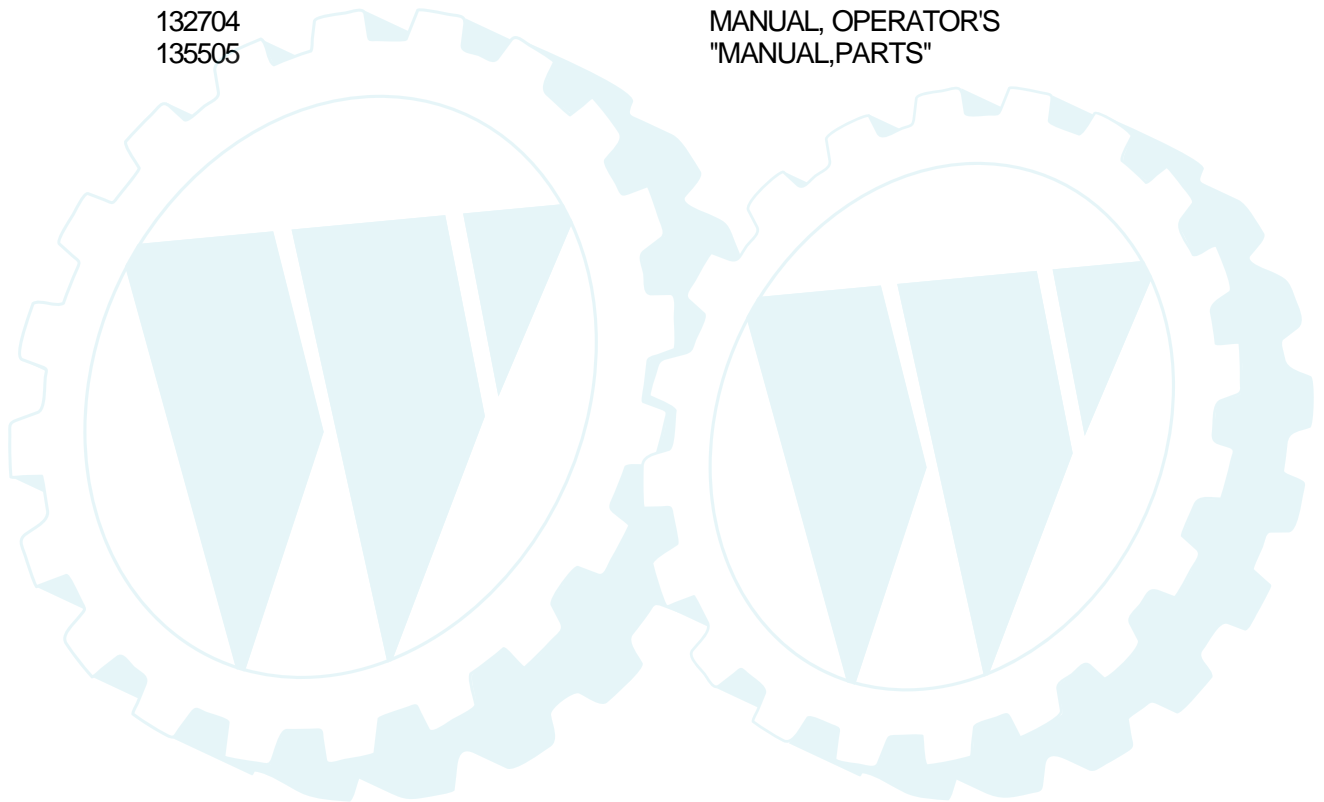


### 12.5 HP 42" TRACTOR - - MODEL NUMBER RY12542A

#### DECALS

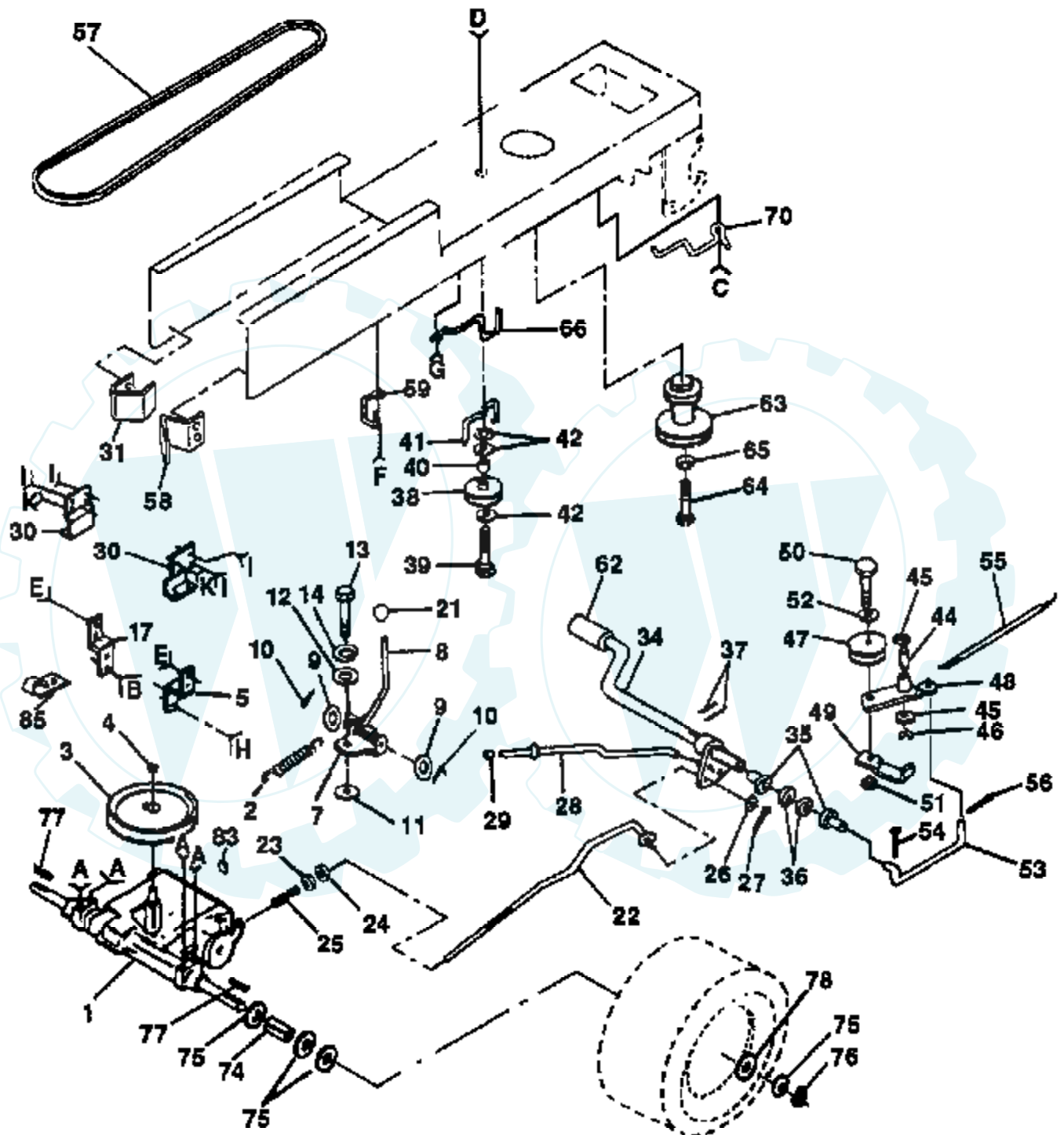


Ref #	Part Number	Qty	Description
1	109821X		SUB= 138956
2	129057		SUB= 532129057
3	135596		NLA
4	135597		DECAL HOOD LH
5	121549X		DECAL
6	135598		DECAL HP HOOD
7	132628		FENDER DECAL
8	133795		DECAL CAUTION
9	101892X		DECAL T
10	121349X		DECAL WARNING
11	109820X		DECAL YT
12	131425		CHASSIS DECAL
13	127075		"DECAL,STR WHL"
14	135599		DECAL GRILL
	132704		MANUAL, OPERATOR'S
	135505		"MANUAL,PARTS"



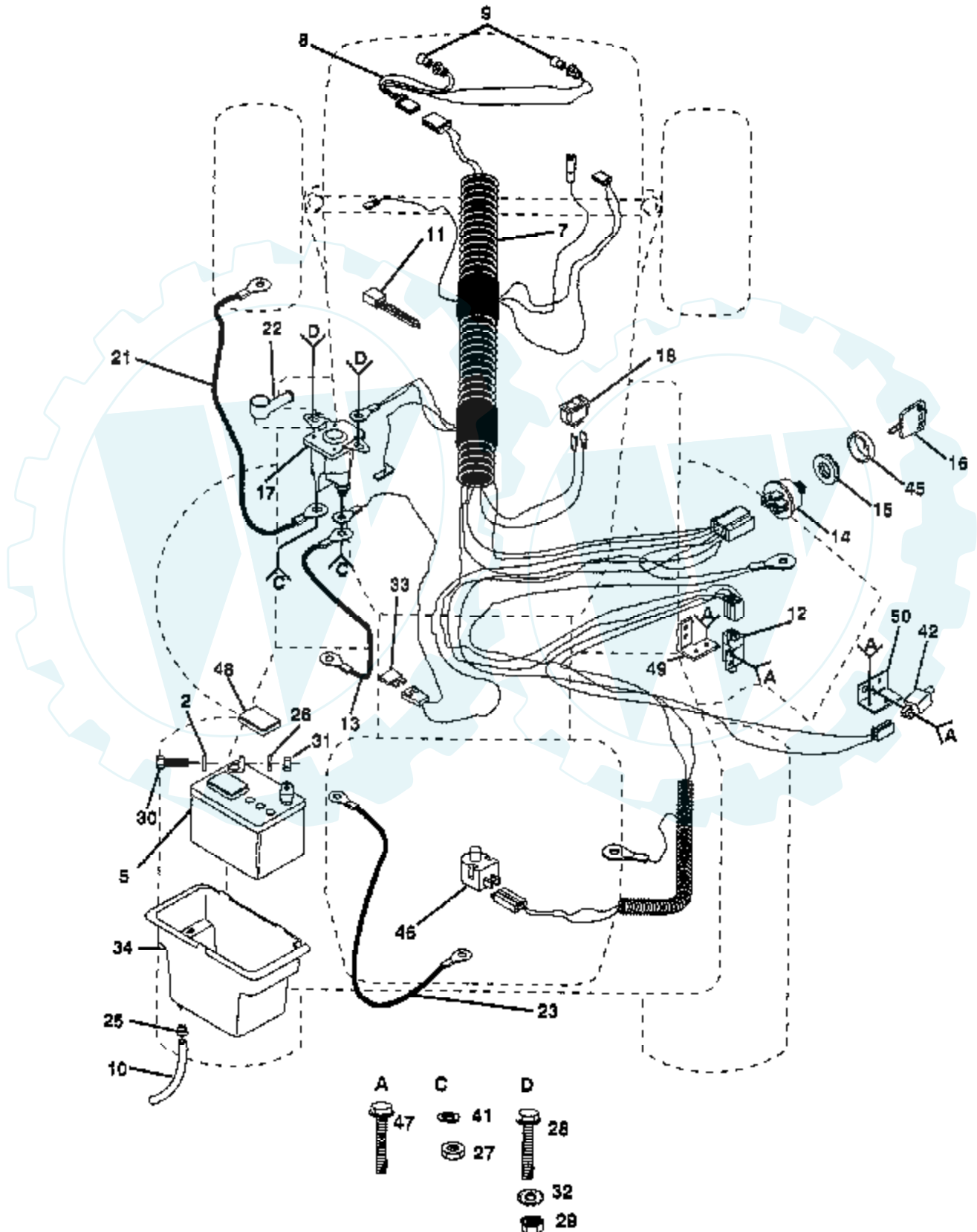
### 12.5 HP 42" TRACTOR - - MODEL NUMBER RY12542A

#### DRIVE



- |          |          |          |          |          |          |          |          |          |          |
|----------|----------|----------|----------|----------|----------|----------|----------|----------|----------|
| <b>A</b> | <b>B</b> | <b>C</b> | <b>D</b> | <b>E</b> | <b>F</b> | <b>G</b> | <b>H</b> | <b>I</b> | <b>K</b> |
|          |          |          |          |          |          |          |          |          |          |
|          |          |          |          |          |          |          |          |          |          |
|          |          |          |          |          |          |          |          |          |          |

# ELECTRICAL 12.5 HP 42" TRACTOR -- MODEL NUMBER RY12542A

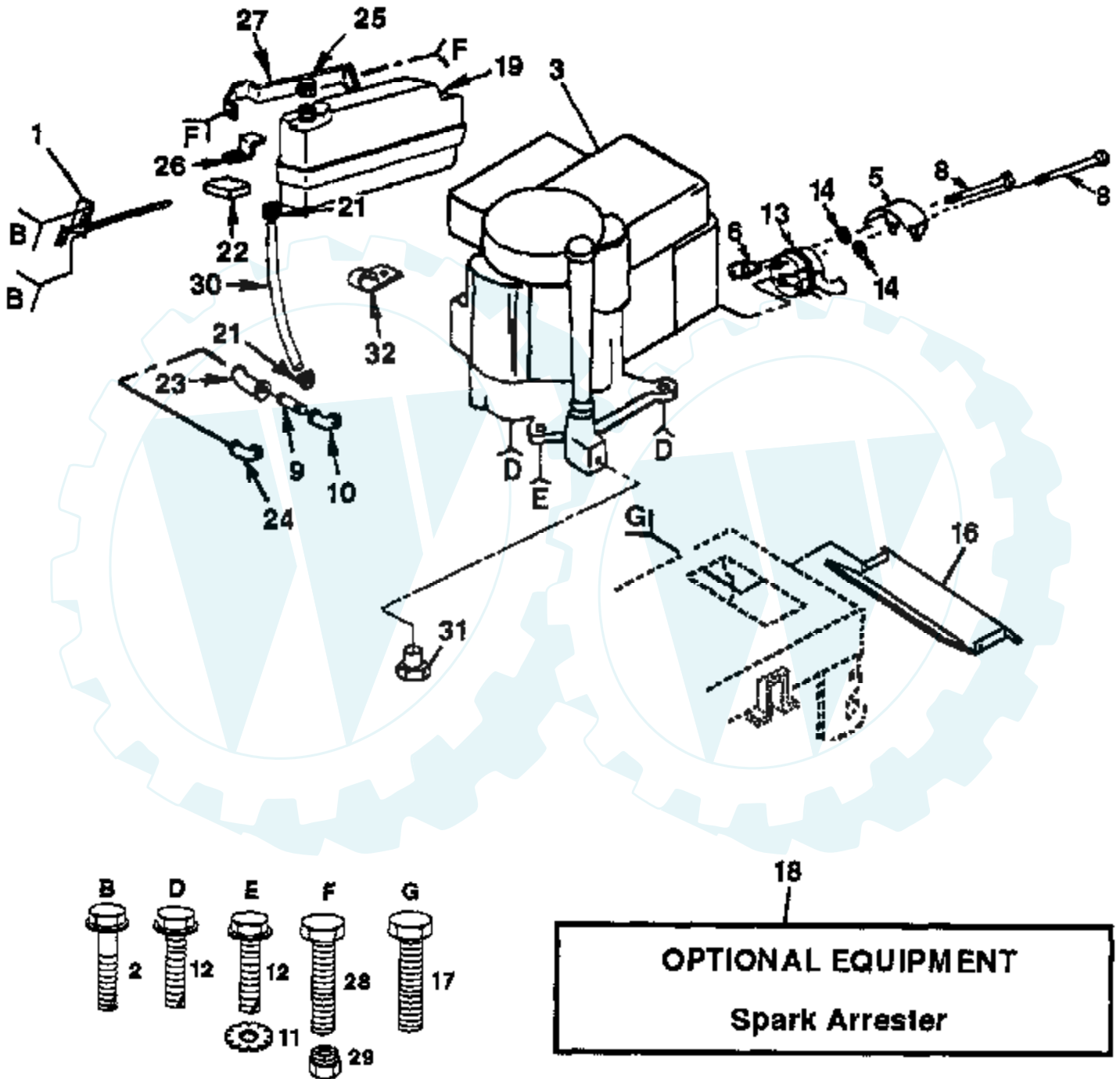


Ref #	Part Number	Qty	Description
2	19091016		WASHER
5	121265X		SUB= 123899X
7	133482		SUB= 532133482
8	127441X		SUB= 136850
9	7662J		SUB= 4152J
11	7192J		WIRE TIE
12	109553X		SWITCH INTERLOCKT
13	5114J		STARTER CABLE GT
14	4406R		SUB= STD365402
15	124211X		NUT IGNITION
16	122147X		KEY
17	109081X		SUB= 146154
18	110712X		SWITCH LT
21	4799J		"CABLE T, BATTERY"
22	131563		SUB= 154336
23	4207J		CABLE T
25	109596X		HOSE CLAMP T
26	10040400		LOCKWASHER
27	73350400		NUT
28	74780408		BOLT
29	73510400		NUT
30	74760412		BOLT LT
31	73220400		SUB= 50675
32	11050400		LOCKWASHER
33	108824X		FUSE HYT
34	133753		BTRY CASE W/O LID
41	10090400		SUB= 10040400
42	104445X		SWITCH-INTER. GT
45	123620X		SUB= 141226
46	121305X		SWITCH SEAT
47	17021008		SCREW
48	121264X		"CAP,BATTERY "
49	130890		SWITCH BRACKET
50	108236X		BRACKET LT



### 12.5 HP 42" TRACTOR -- MODEL NUMBER RY12542A

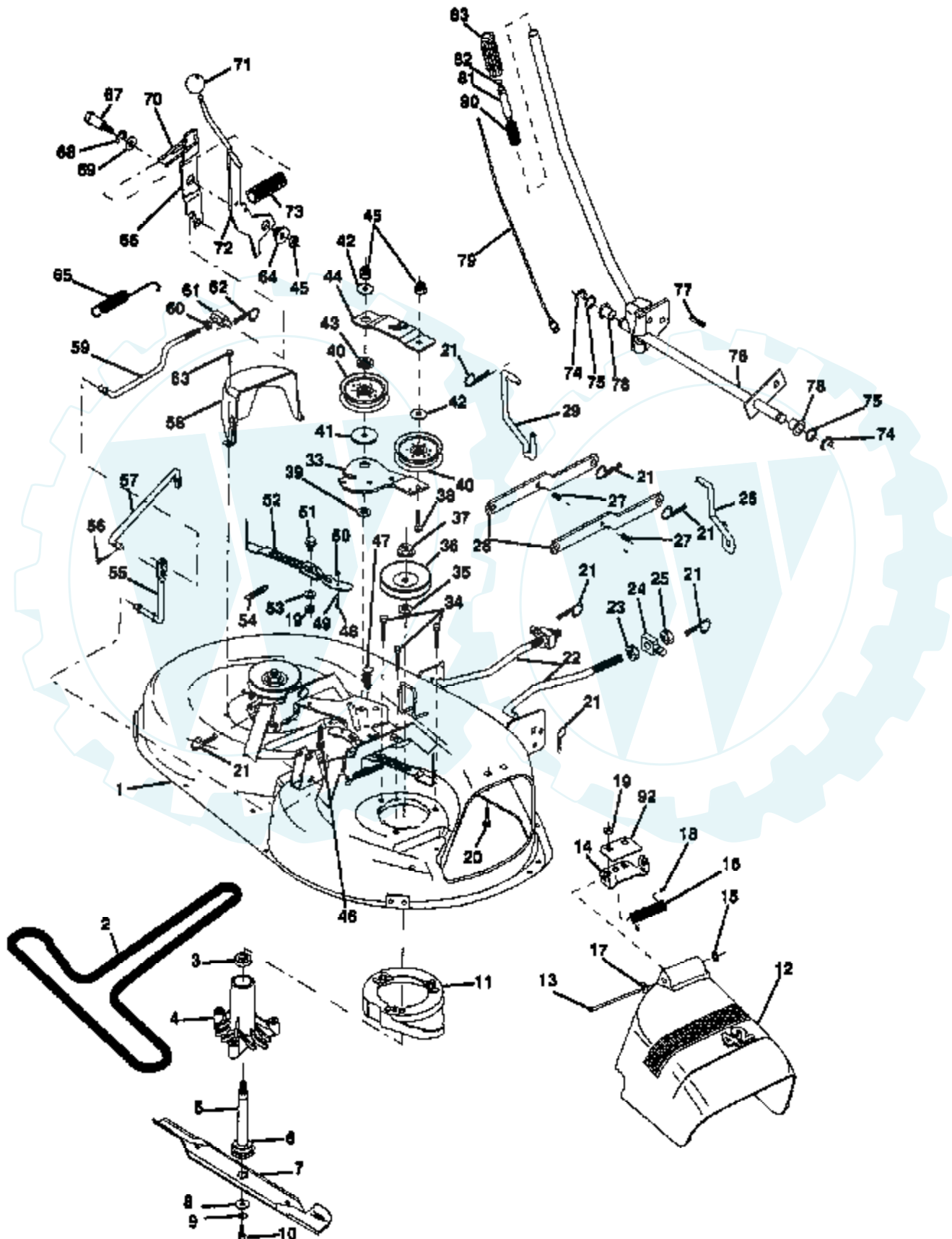
#### ENGINE



Ref #	Part Number	Qty	Description
1	132754		SUB= 532132754
2	17720410		SCREW LT
3			REFER TO IMAGE
5	121742X		HEAT SHIELD
6	125593X		SUB= 272293
8	121744X		BOLT
9	13280328		PIPE NIPPLE
10	13310300		STREET ELBOW LT
11	11050600		LOCKWASHER
12	17490620		SCREW
13	121304X		MUFFLER
14	19151616		SUB= 19171616
16	128953X		SUB= 128953
17	17021008		SCREW
18	121851X		SUB= 532137180
19	121280X		FUEL TANK
21	123487X		HOSE CLAMP
22	6431J		PAD-SPACER T
23	13240300		STREET ELBOW LT
24	13200300		ELBOW
25	8504J		SUB= 9188504J
26	104799X		BRACE-TANK LT
27	121281X		SUPT TANK FUEL
28	74780512		BOLT
29	7368050		NUT CROWN LOCK
30	7833R		HOSE T
31			REFER TO IMAGE
32	2751R		CLIP T

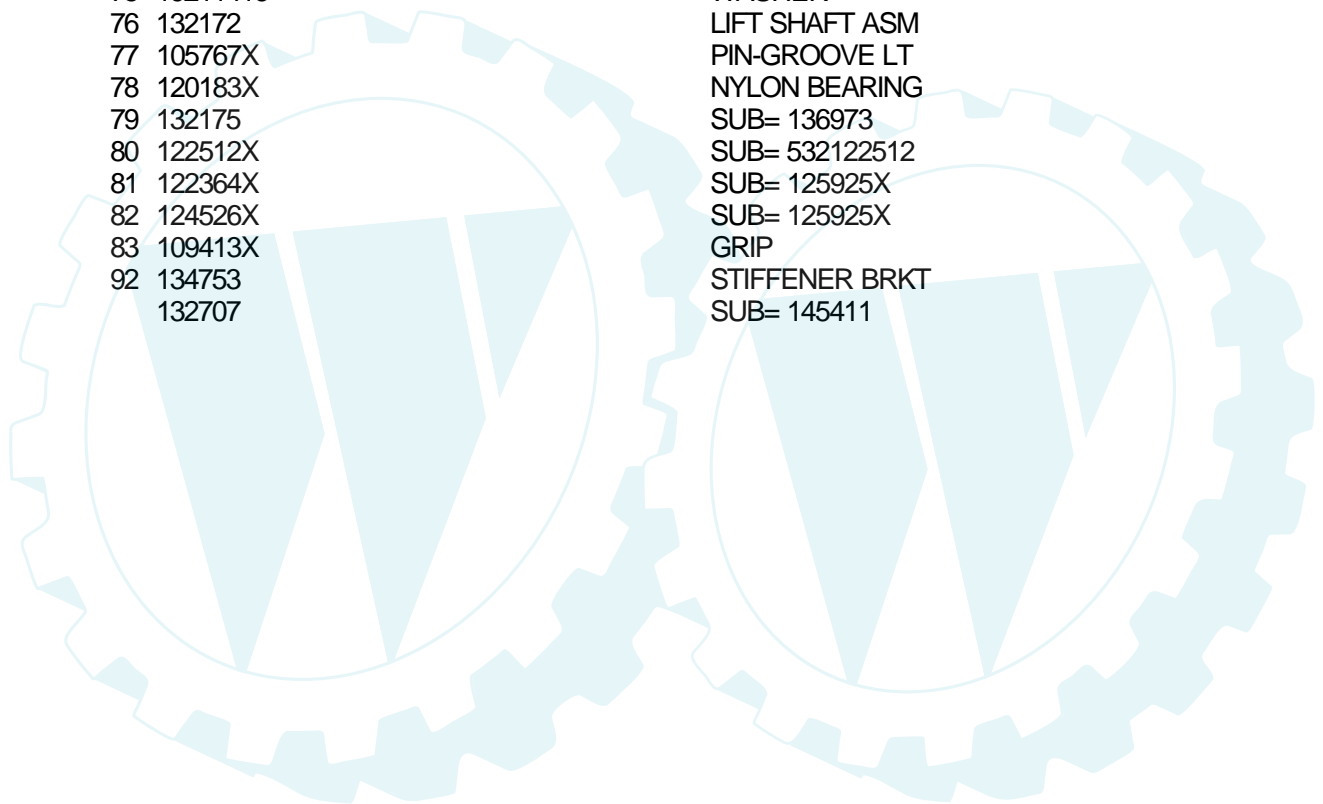
# 12.5 HP 42" TRACTOR - - MODEL NUMBER RY12542A

## 42" MOWER



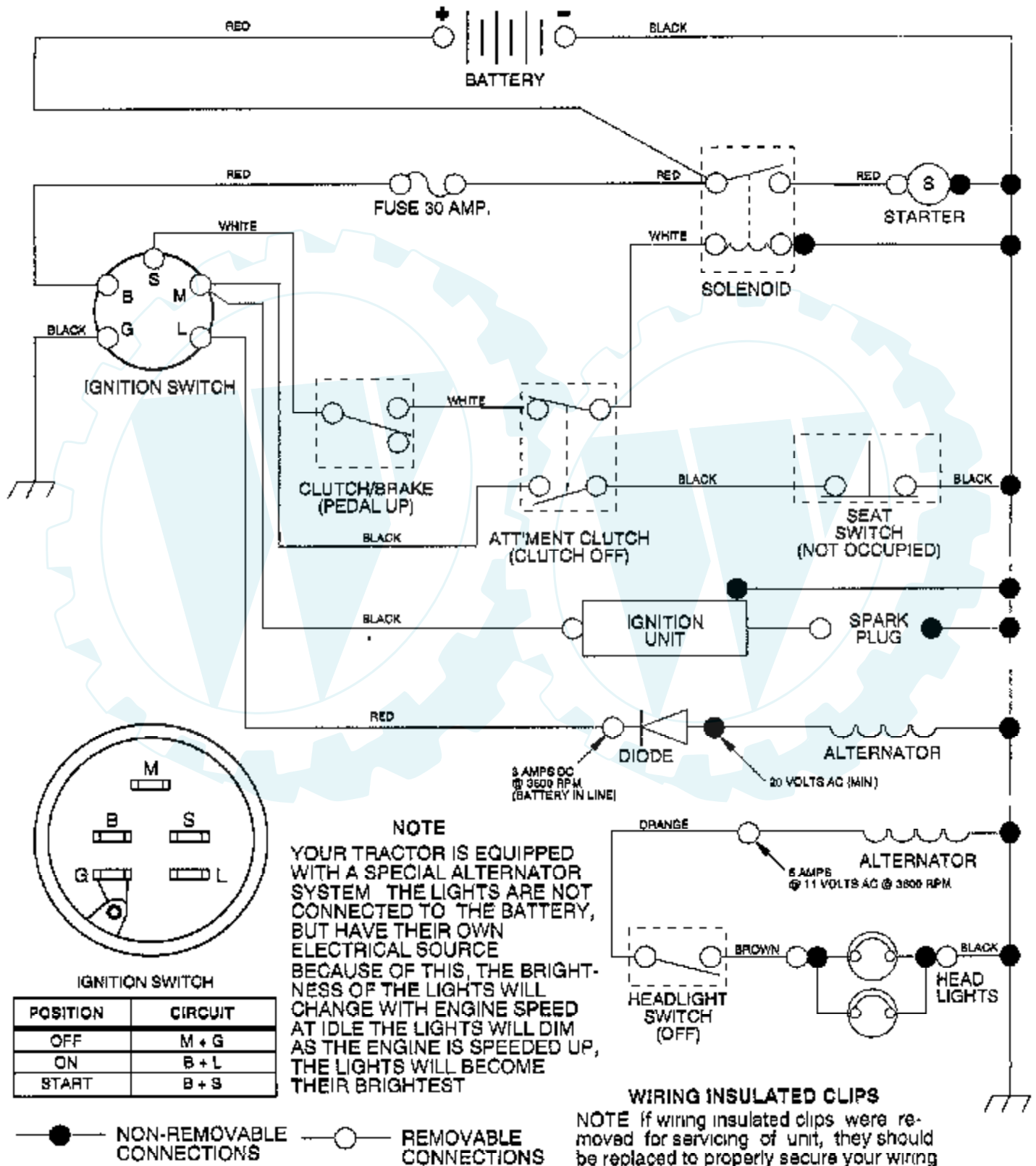
Ref #	Part Number	Qty	Description
1	130970		SUB= 145338
2	130969		BELT-V.92.4.MWR
3	110485X		BEARING
4	128774		HSG ASM MANDREL
5	133172		SUB= 137646
6	129895		BEARING.BALL
7	127843		SUB= 138498
8	129962		WASHER BLADE
9	10030600		SUB= 10040600
10	850857		BLADE BOLT
11	128961		SUB= 140329
12	130968		DEFLECTOR.SHIELD
13	131491		HINGE ROD
14	131267		DEFLECTOR BRKT
15	110452X		NUT PUSH M
16	123713X		SPRING TORSION
17	19111016		WASHER
18	105304X		CAP-SLEEVE LT
19	73680500		SUB= 73690500
20	72140506		BOLT
21	4939M		SUB= 85902
22	127218		LINK.FRONT
23	73350800		NUT
24	130171		TRUNION
25	73800800		NUT.LK.W/WSH.1/2.
26	135388		LIFT LINK RH
27	135563		"PIN,SPRING"
28	130832		SUB= 130833
29	134619		LINK LIFT LH
33	133844		IDLER ARM
34	78158		SUB= 17580520
35	129963		WASHER
36	129861		SUB= 153535
37	73050900		SUB= 139729
38	72110614		BOLT
39	133943		HARDENED WASHER
40	131494		FLAT IDLER PULLEY
41	122052X		SPACER RETAINER
42	19131612		WASHER GT
43	133502		RETAINER SPACER
44	133503		IDLER ARM STIFF
45	73680600		SUB= 73690600
46	72110618		BOLT CARRIAGE
47	133835		XMAS TREE FASTNER
48	131340		SHOULDER BOLT
49	133940		SUB= 151785
50	69180		LOCKNUT
51	105529X		SUB= 139888
52	131845		BRAKE PAD ARM ASM
53	133944		HARD SMALL WASHER
54	131335		SPRING EXTENSION
55	133551		PIVOT ROD
56	76020312		SUB= 3145
57	133504		CLUTCH ROD SECOND
58	131857		SUB= 140088
59	133550		SUB= 142427
60	73350600		NUT
61	133205		TRUNION

Ref #	Part Number	Qty	Description
62	4497H		RETAINER M
63	17720410		SCREW LT
64	127498		BUSHING
65	131870		RETURN SPRING
66	127847		CLUTCH ARM SECOND
67	128903		SHOULDER BOLT
68	12000029		RING
69	121748X		WASHER
70	127845		SPRING KEEPER
71	132044		SUB= 532132044
72	131813		SUB= 532131813
73	128759		SUB= 918128759
74	12000002		SUB= 2225J
75	19211416		WASHER
76	132172		LIFT SHAFT ASM
77	105767X		PIN-GROOVE LT
78	120183X		NYLON BEARING
79	132175		SUB= 136973
80	122512X		SUB= 532122512
81	122364X		SUB= 125925X
82	124526X		SUB= 125925X
83	109413X		GRIP
92	134753		STIFFENER BRKT
	132707		SUB= 145411



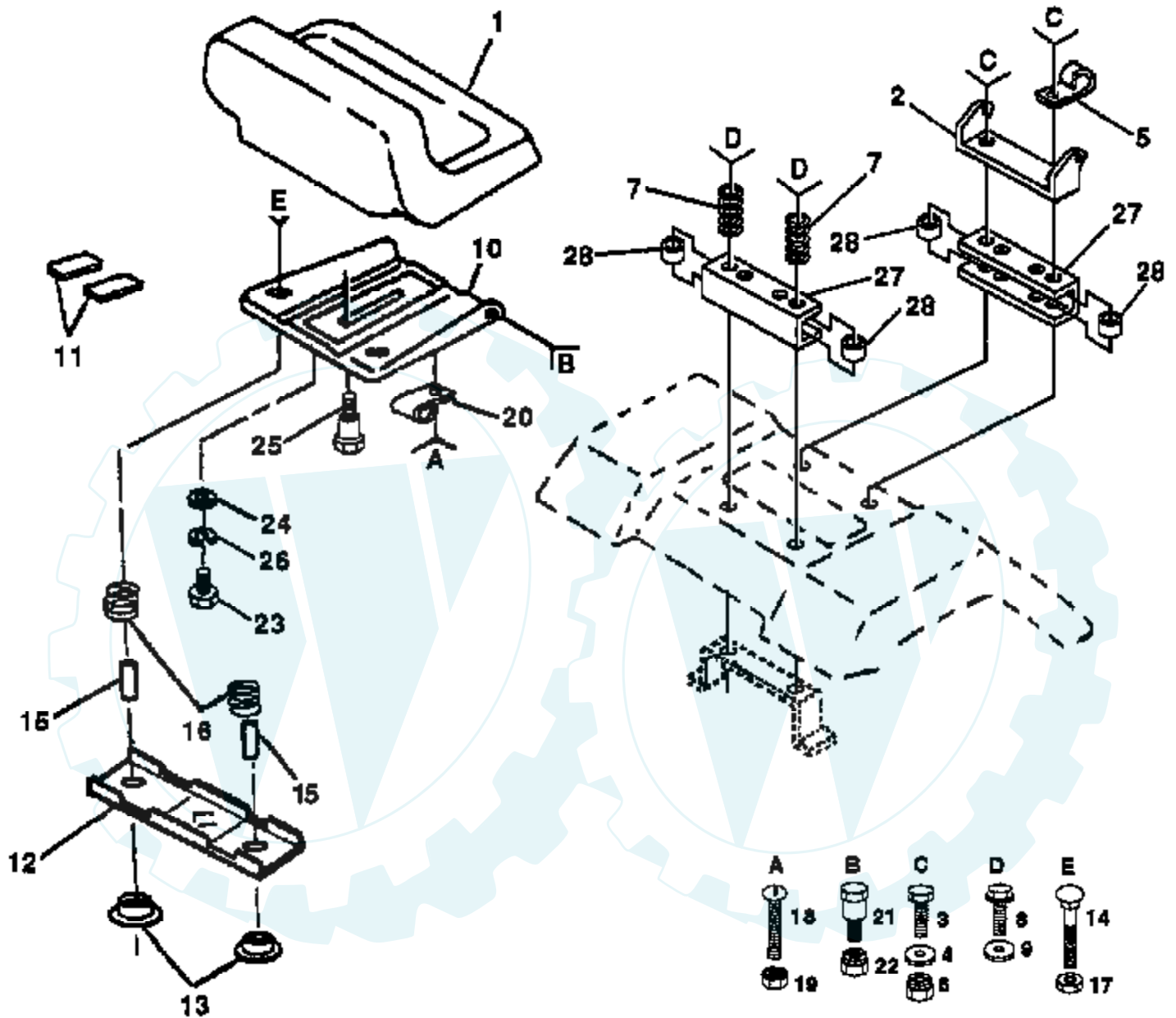
# 12.5 HP 42" TRACTOR -- MODEL NUMBER RY12542A

## SCHEMATIC



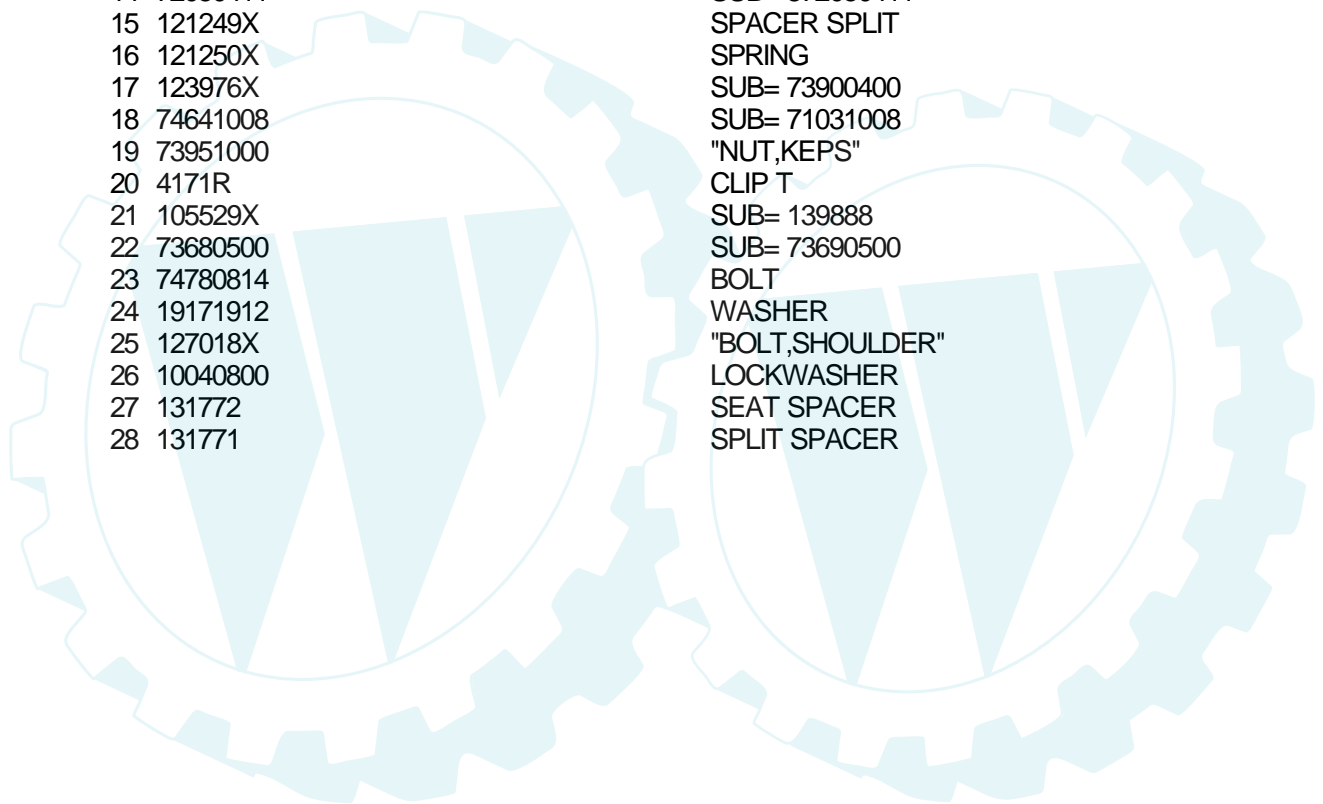
### 12.5 HP 42" TRACTOR -- MODEL NUMBER RY12542A

#### SEAT ASSEMBLY



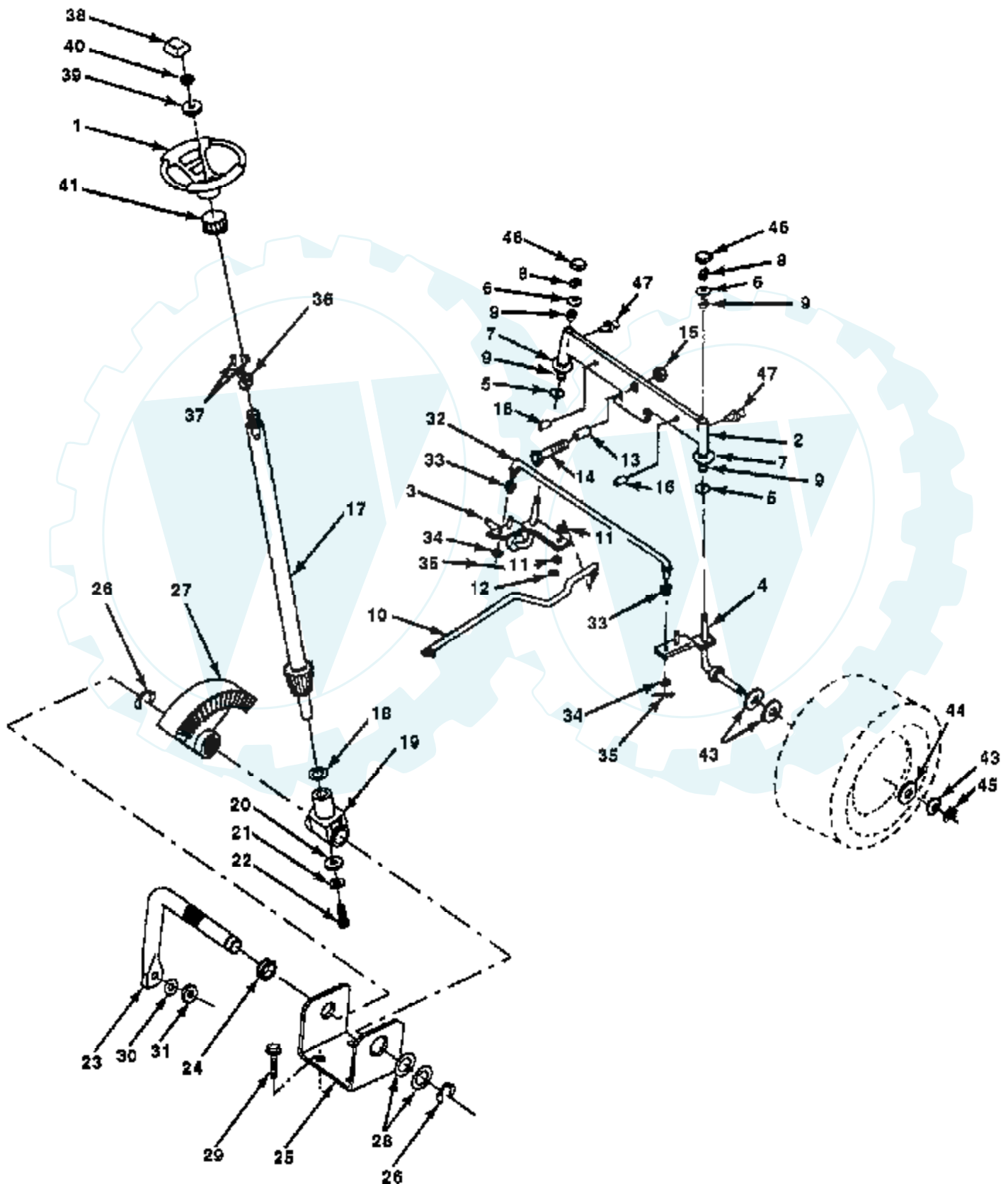
**NOTE:** All component dimensions given in U S inches  
1 inch = 25.4 mm

Ref #	Part Number	Qty	Description
1	127423X		SUB= 140119
2	126656X		SUB= 140551
3	74760640		BOLT
4	19131210		WASHER
5	2751R		CLIP T
6	73680600		SUB= 73690600
7	124181X		SPRING COMPRESSIO
8	17490640		SCREW
9	19131614		WASHER
10	131451		SUB= 155925
11	121251X		STRIP FORM
12	121246X		BRKT SWITCH
13	121248X		BUSHING
14	72050411		SUB= 872050411
15	121249X		SPACER SPLIT
16	121250X		SPRING
17	123976X		SUB= 73900400
18	74641008		SUB= 71031008
19	73951000		"NUT,KEPS"
20	4171R		CLIP T
21	105529X		SUB= 139888
22	73680500		SUB= 73690500
23	74780814		BOLT
24	19171912		WASHER
25	127018X		"BOLT,SHOULDER"
26	10040800		LOCKWASHER
27	131772		SEAT SPACER
28	131771		SPLIT SPACER





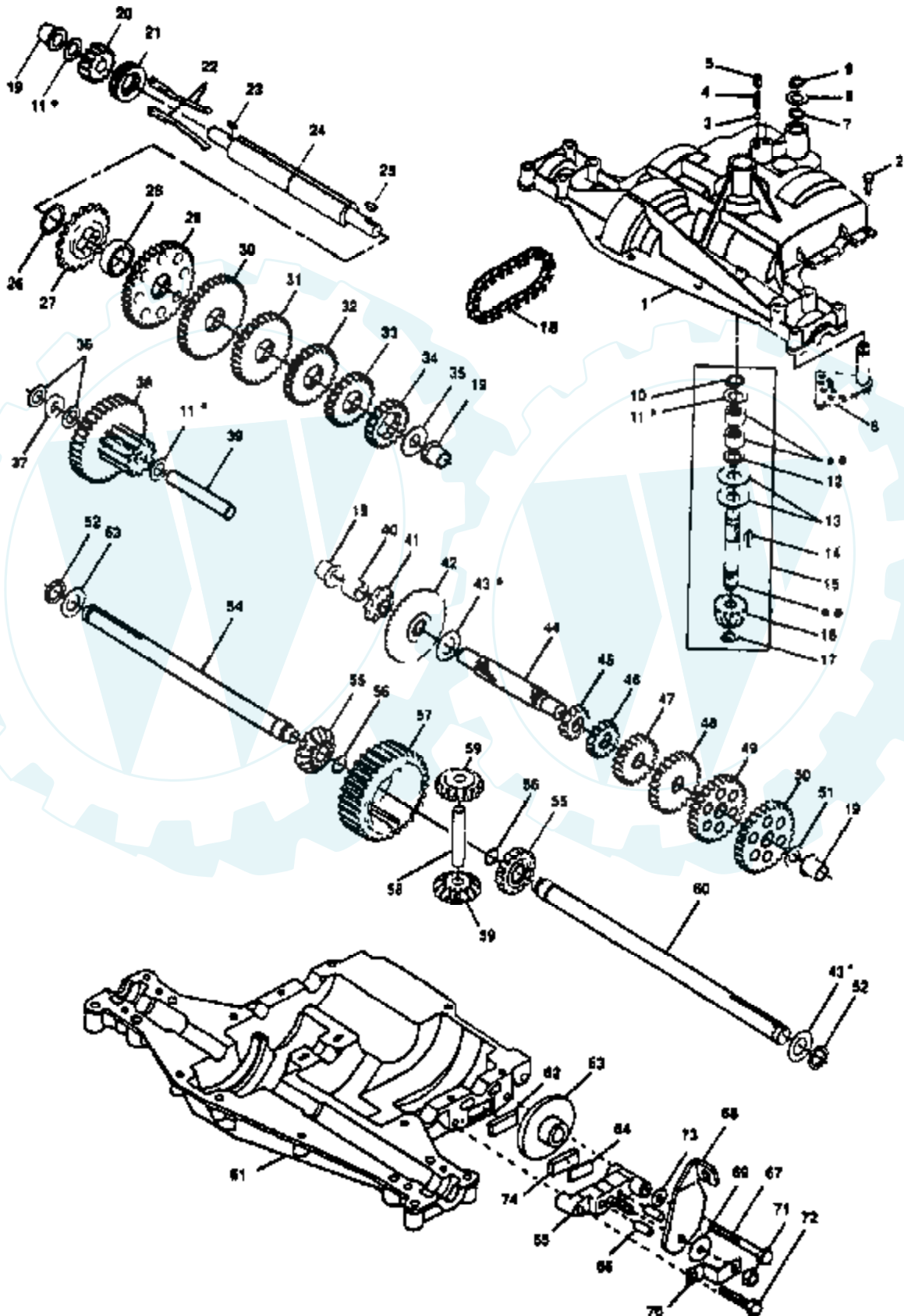
### 12.5 HP 42" TRACTOR -- MODEL NUMBER RY12542A STEERING ASSEMBLY



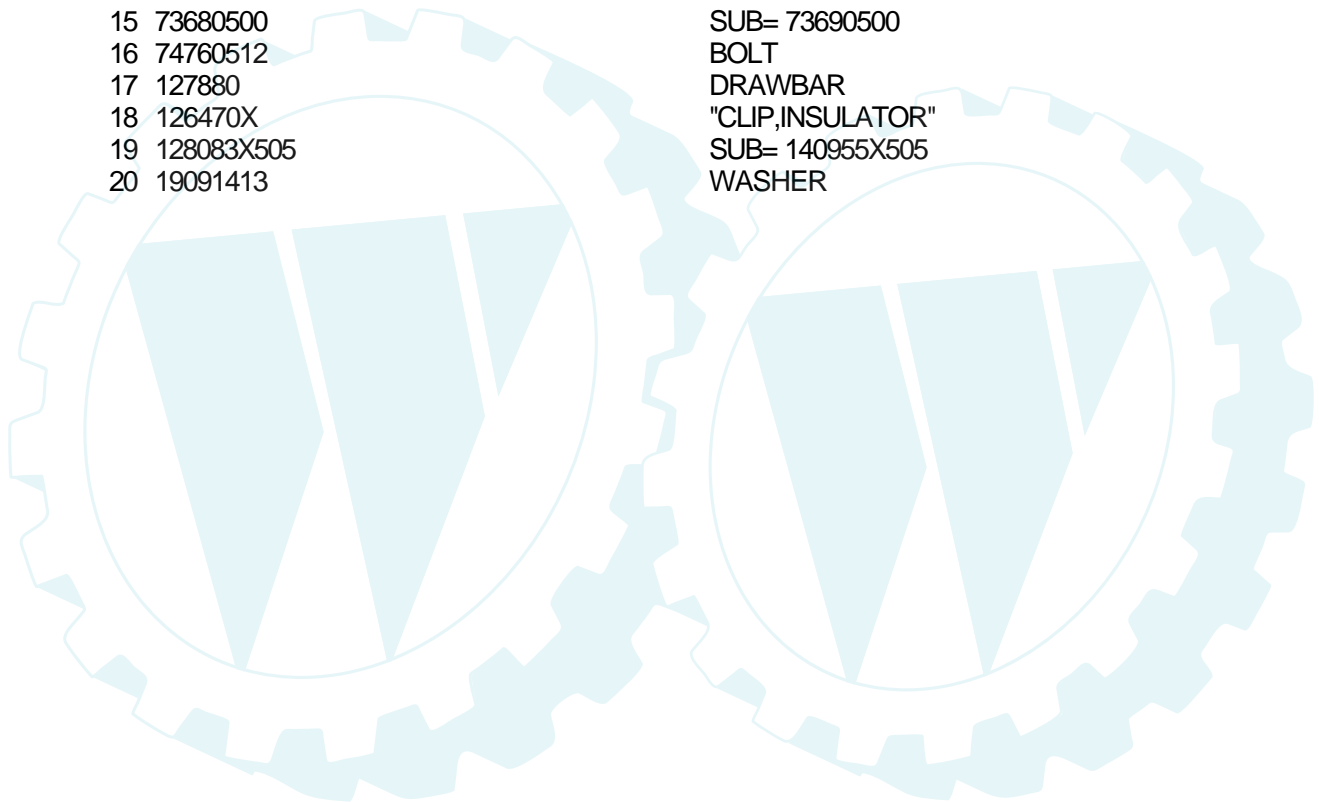
Ref #	Part Number	Qty	Description
1	133741		SUB= 150547
2	133988		SUB= 142033
3	135227		SPINDLE LH
4	135228		SPINDLE RH
5	6266H		WASHER .T
6	121748X		WASHER
7	19272016		WASHER
8	12000029		RING
9	3366R		COL. SRTG. BEAR.
10	130468		SUB= 532130468
11	10040600		LOCKWASHER
12	73610600		SUB= 7810H
13	110438X		BEARING
14	74011056		BOLT HEX 5/8-11
15	73601000		SUB= 73901000
16	132624		AXLE PIN
17	128758		STEERING SHAFT
18	57079		THRUST WASHER
19	124035X		SUPPORT.SHAFT
20	126684X		SUB= 532126684
21	10040400		LOCKWASHER
22	71070410		"SCREW,SPECIAL"
23	127501		SUB= 918127501
24	109816X		NYLINER T
25	124036X		"BRKT,STEERING"
26	12000029		RING
27	124034X		SUB= 136874
28	6266H		WASHER .T
29	17490612		SCREW
30	10040600		LOCKWASHER
31	73610600		SUB= 7810H
32	130465		TIE ROD
33	126847X		BUSHING.DRAGLINK
34	19131416		WASHER
35	76020412		COTTER PIN
36	1554J		SUB= 155108
37	17431008		SUB= 98000165
38	133742		ST WHL INSERT CAP
39	100712K		WASHER
40	73940800		SUB= 73360800
41	100711L		ADAPTER LT
43	121749X		WASHER
44	121748X		WASHER
45	12000029		RING
46	121232X		CAP
47	6855M		ZERK M

**12.5 HP 42" TRACTOR - - MODEL NUMBER RY12542A  
DANA TRANSAXLE - MODEL NUMBER 4360-07**

**TRANSAXLE**

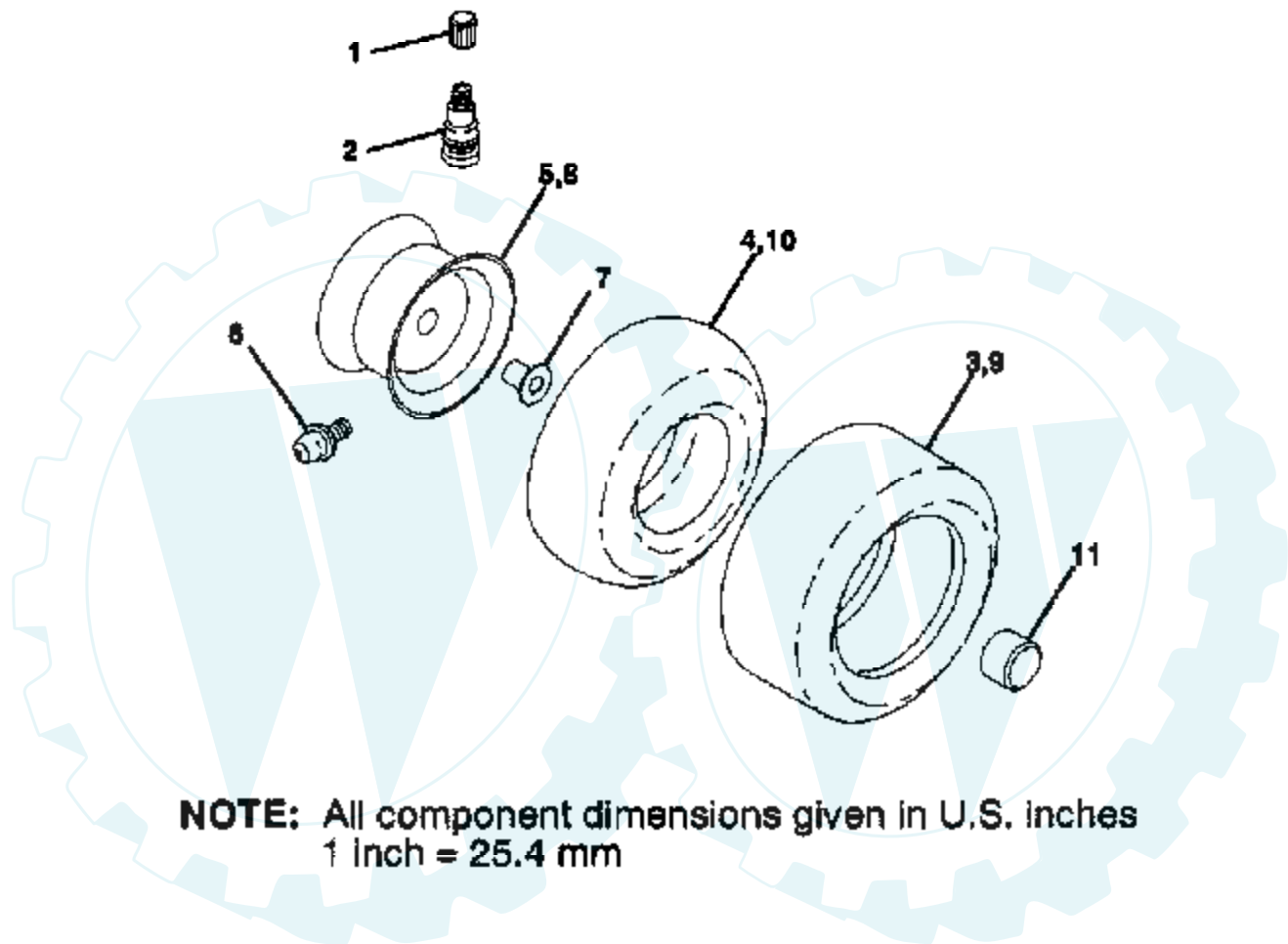


Ref #	Part Number	Qty	Description
1	129965		SUB= 156417
2	19132012		WASHER
3	17490612		SCREW
4	124181X		SPRING COMPRESSIO
5	127115X505		BTRY FENDER PLATE
6	109596X		HOSE CLAMP T
7	124144X		PAD FOOTREST
8	17490512		SCREW
9	126995X		SUB= 126995X428
10	124602X		SUB= 139783
11	124346X		NUT
12	131880		CHASSIS
13	105687X		SUB= 109238X
14	73510400		NUT
15	73680500		SUB= 73690500
16	74760512		BOLT
17	127880		DRAWBAR
18	126470X		"CLIP,INSULATOR"
19	128083X505		SUB= 140955X505
20	19091413		WASHER



# 12.5 HP 42" TRACTOR - - MODEL NUMBER RY12542A

## WHEELS & TIRES



**NOTE:** All component dimensions given in U.S. inches  
1 inch = 25.4 mm

Ref #	Part Number	Qty	Description
1	59192		VALVE CAP
2	65139		VALVE STEM LT
3	106222X		SUB= 122073X
4	59904		TUBE.5.3/4.5/6
5	106732X311		SUB= 106732X427
6	278H		FITTING LT
7	9040H		"FLANGE, BEARING"
8	106108X311		SUB= 106108X427
9	106268X		SUB= 122074X
10	7152J		TUBE.18X9.5-8
11	104757X		HUB CAP

