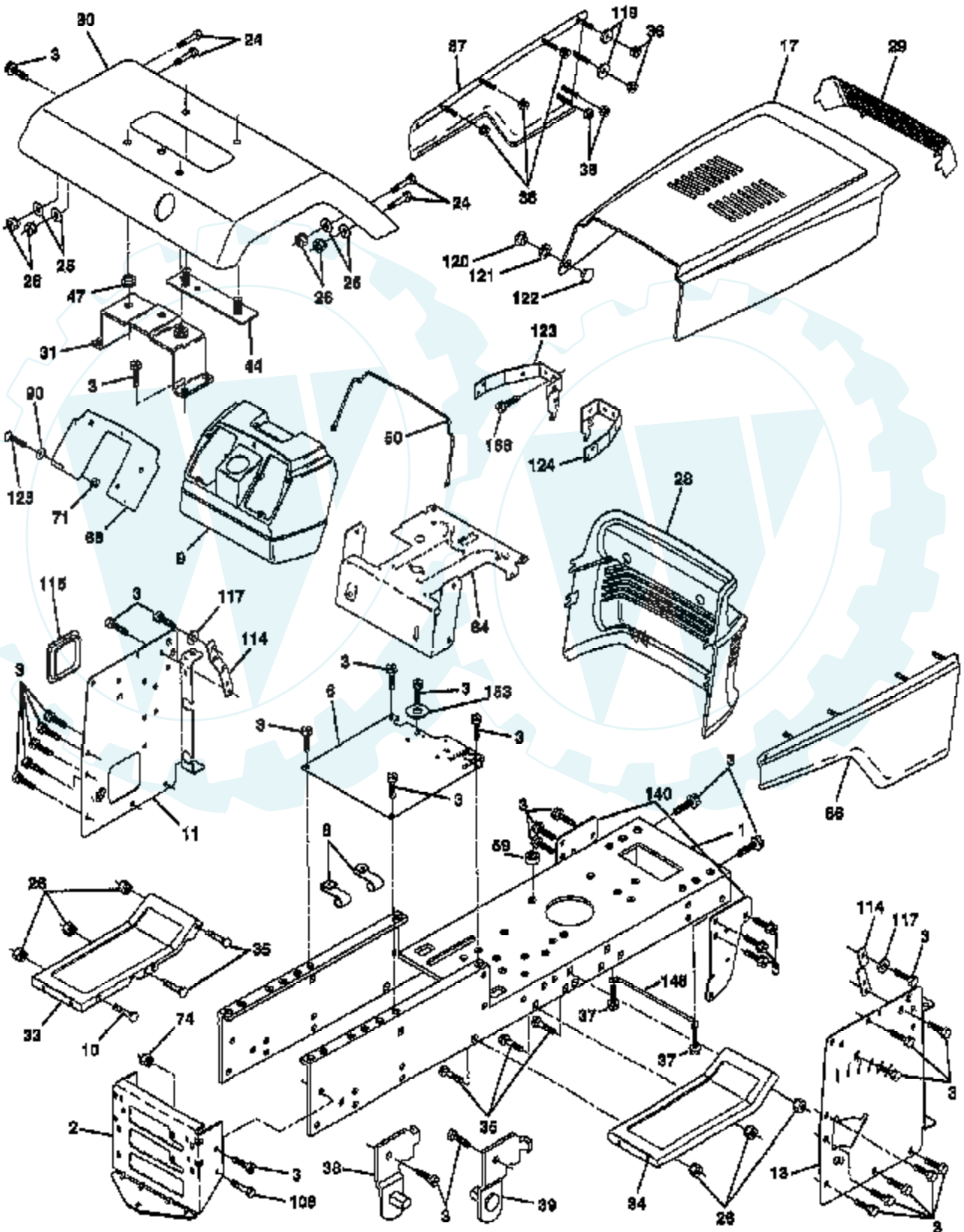


TRACTOR -- MODEL NUMBER RKGT20H46A

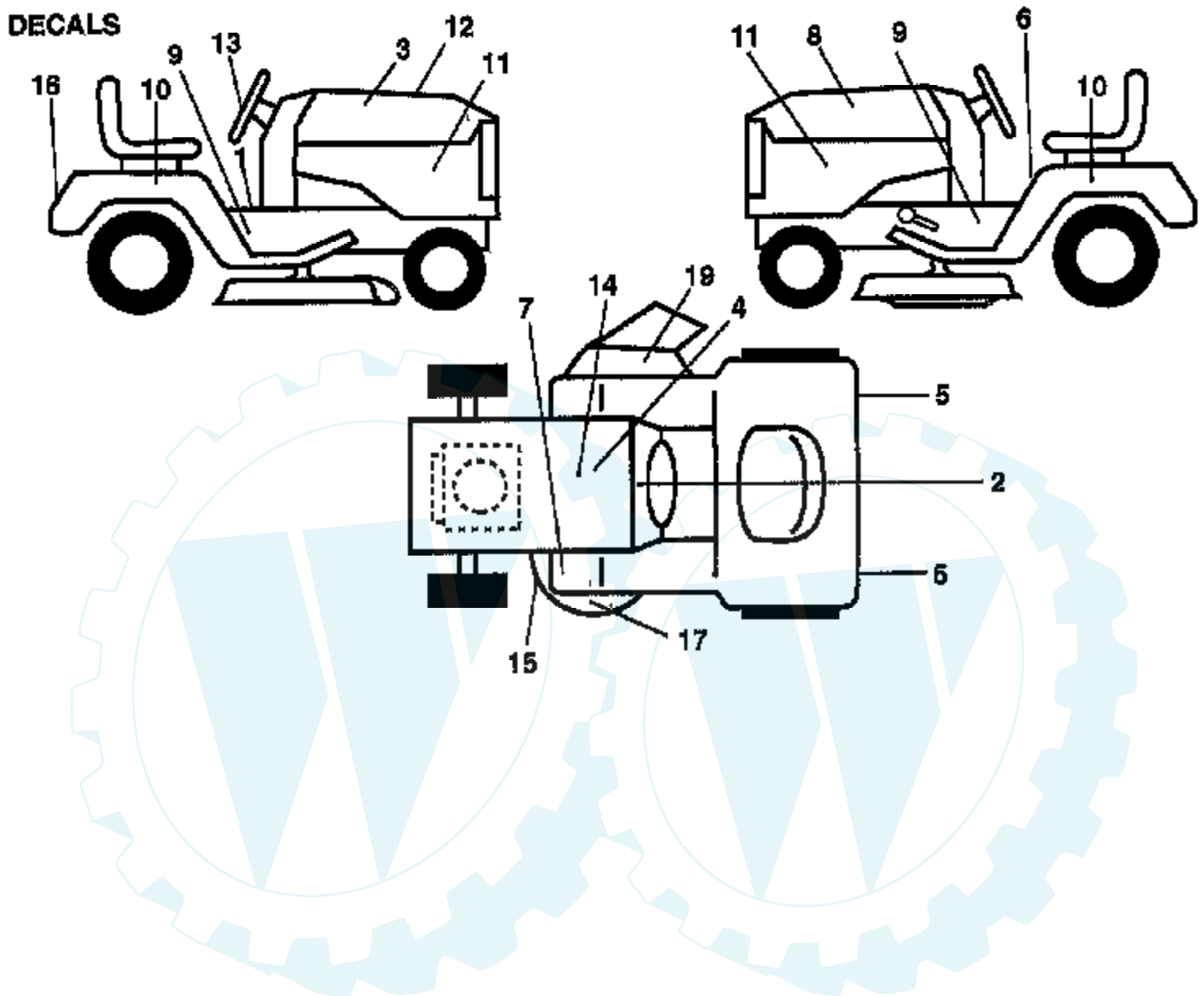
CHASSIS AND ENCLOSURES



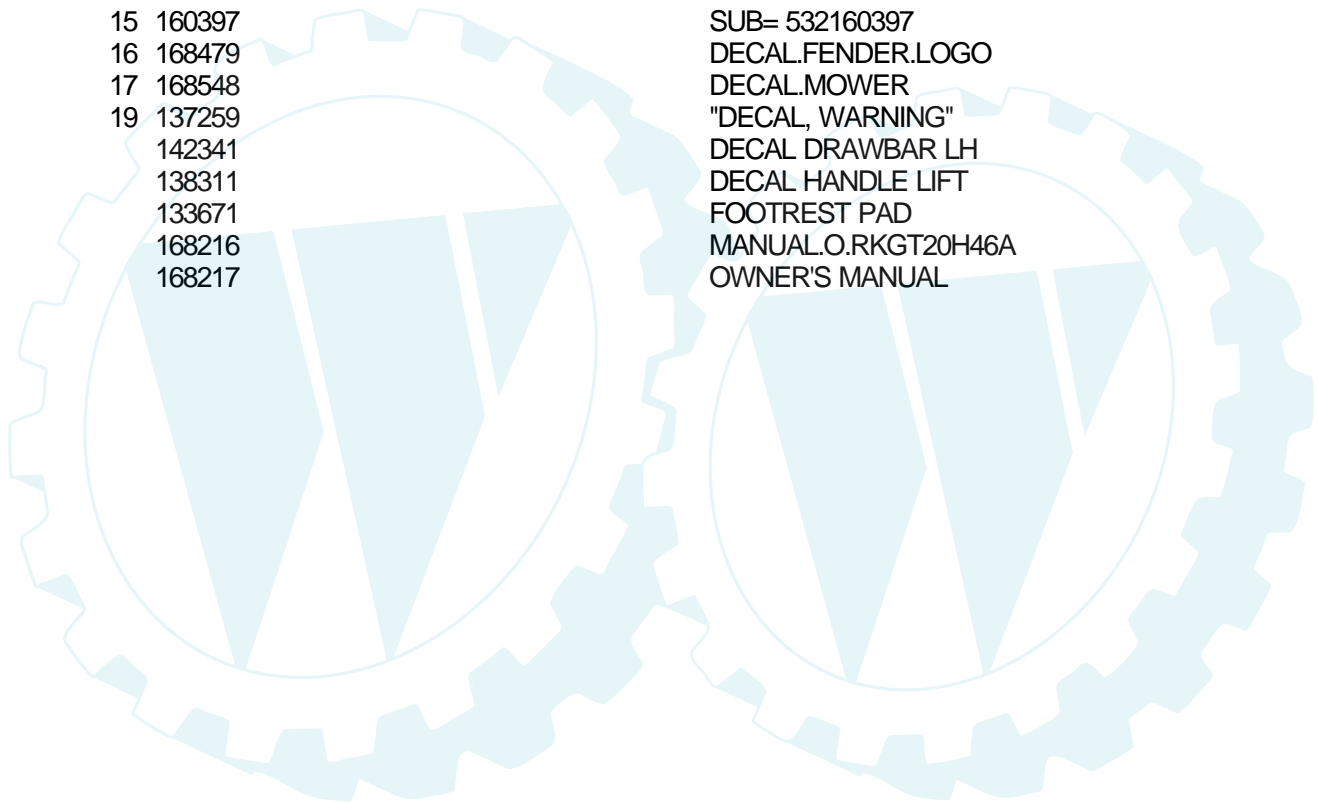
Ref #	Part Number	Qty	Description
1	165480		CHASSIS.STAMPING
2	140356		SUB= 145009
3	17490612		SCREW
6	155923		SADDLE
8	126471X		"CLIP,INSULATOR"
9	145203		DASH.PLASTIC.BLK
10	72140608		SUB= 72110608
11	159954		DASHBRD.PANEL.LH
13	159953		DASHBRD.PANEL.RH
17	136673X602		HOOD.GRILLE.ASM.PNT
24	74780616		BOLT
25	19131312		WASHER
26	73800600		NUT
28	136373X428		SUB= 136375
29	136374X599		LENS.YT.GT.SEARS
30	140002X602		FENDER
31	137113		BRKT.ASM.FENDER
33	145244X602		FOOTREST.LH
34	145243X602		FOOTREST.RH.PNT
35	72110606		BOLT
36	108067X		PAL NUT LT
37	17490508		SCREW LT
38	139886		BRACKET ASM LH
39	139887		BRACKET ASM RH
43	19111012		WASHER T
44	140675		STRAP ASM FENDER
47	105531X		NUT-PUSH YT
50	137304		ROD.SUPT.HOOD 1PC
59	110436X		SUB= 9151R
64	150272		DASH.LOWER.LT
66	166680X010		PLATE.SIKLSCREEN.DASH
71	73640400		NUT HXKEP 1/4X20
74	73680600		SUB= 73690600
86	136670X602		ASSY.PANEL.SIDE.RH
87	136671X602		PANEL ASSY
90	19091216		WASHER PM
108	74760612		SUB= 74780612
114	145349		BRACKET.SUPT.DASH
115	121794X		COVER ACCESS
117	144283		WASHER.SERRATED.
119	19092016		WASHER
120	137271		RIVET.RATCH.FEMAL
121	137269		WASHER.NYLON
122	137270		RIVET.RATCHET.MAL
123	157105		BRKT ASM PIVOT LH
124	157107		BRKT ASM PIVOT RH
125	74180412		SCREW
140	158418		BRKT SUSPENSION
145	156524		"ROD POVOT,CHASSIS"
153	19132203		WASHER GT
166	164863		"SCREW,HWHD.HI-LO#13-16X3/4"

TRACTOR - - MODEL NUMBER RKGT20H46A

DECALS

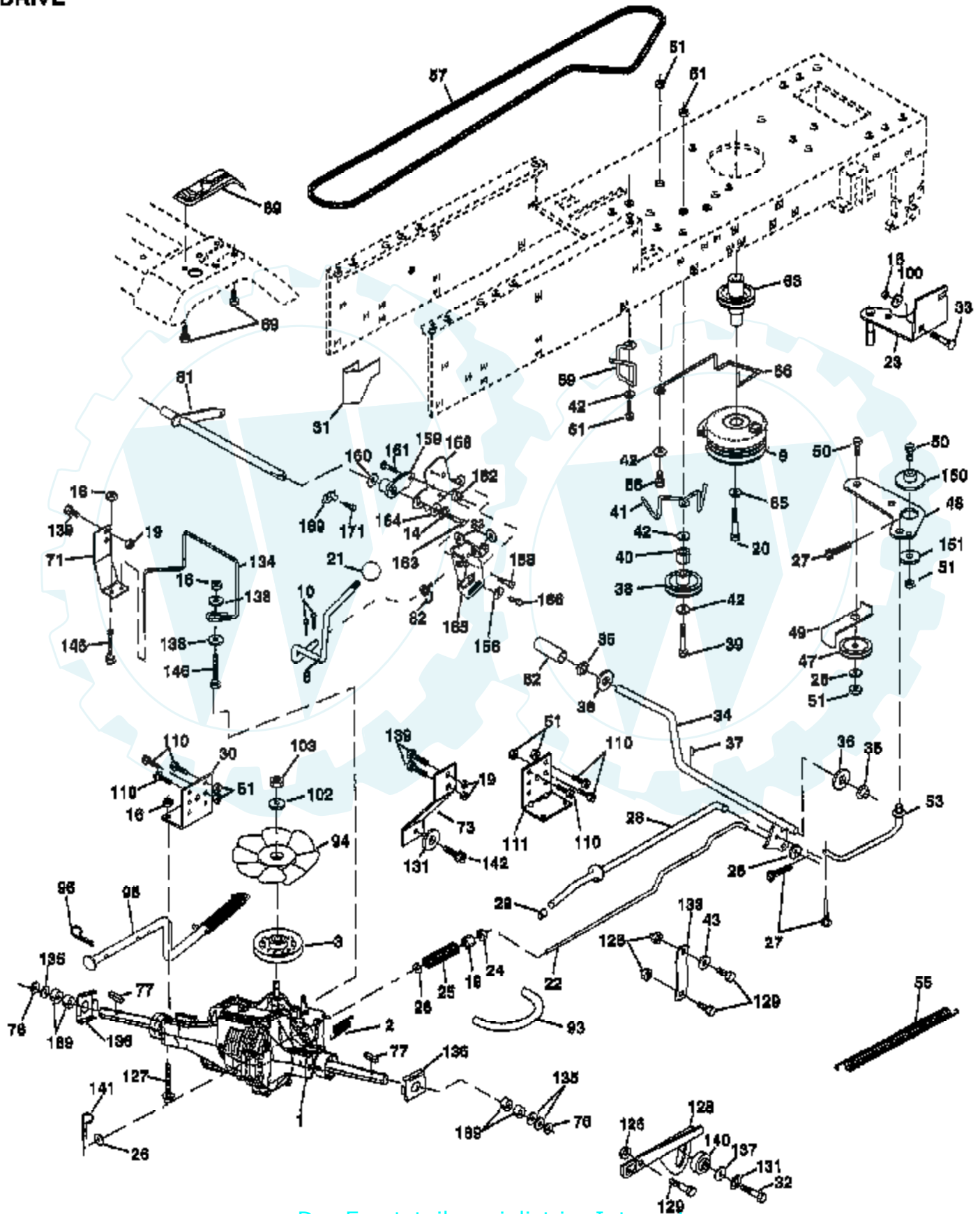


Ref #	Part Number	Qty	Description
1	140837		DECAL BRAK PARK
2	156964		DECAL OPER INSTR.
3	168485		DECAL
4	168427		DECAL.BATT
5	106202X		REFLECTOR-TAIL YT
6	157140		DECAL.CAUT.ENG/FR
7	101892X		DECAL T
8	168486		DECAL
9	168489		DECAL
10	168480		DECAL.FENDER.SIDE
11	168487		DECAL.DASH
12	168488		DECAL
13	168482		DECAL
14	145005		DECAL.BATRY.3-3908
15	160397		SUB= 532160397
16	168479		DECAL.FENDER.LOGO
17	168548		DECAL.MOWER
19	137259		"DECAL, WARNING"
	142341		DECAL DRAWBAR LH
	138311		DECAL HANDLE LIFT
	133671		FOOTREST PAD
	168216		MANUAL.O.RKGT20H46A
	168217		OWNER'S MANUAL



TRACTOR -- MODEL NUMBER RKGT20H46A

DRIVE

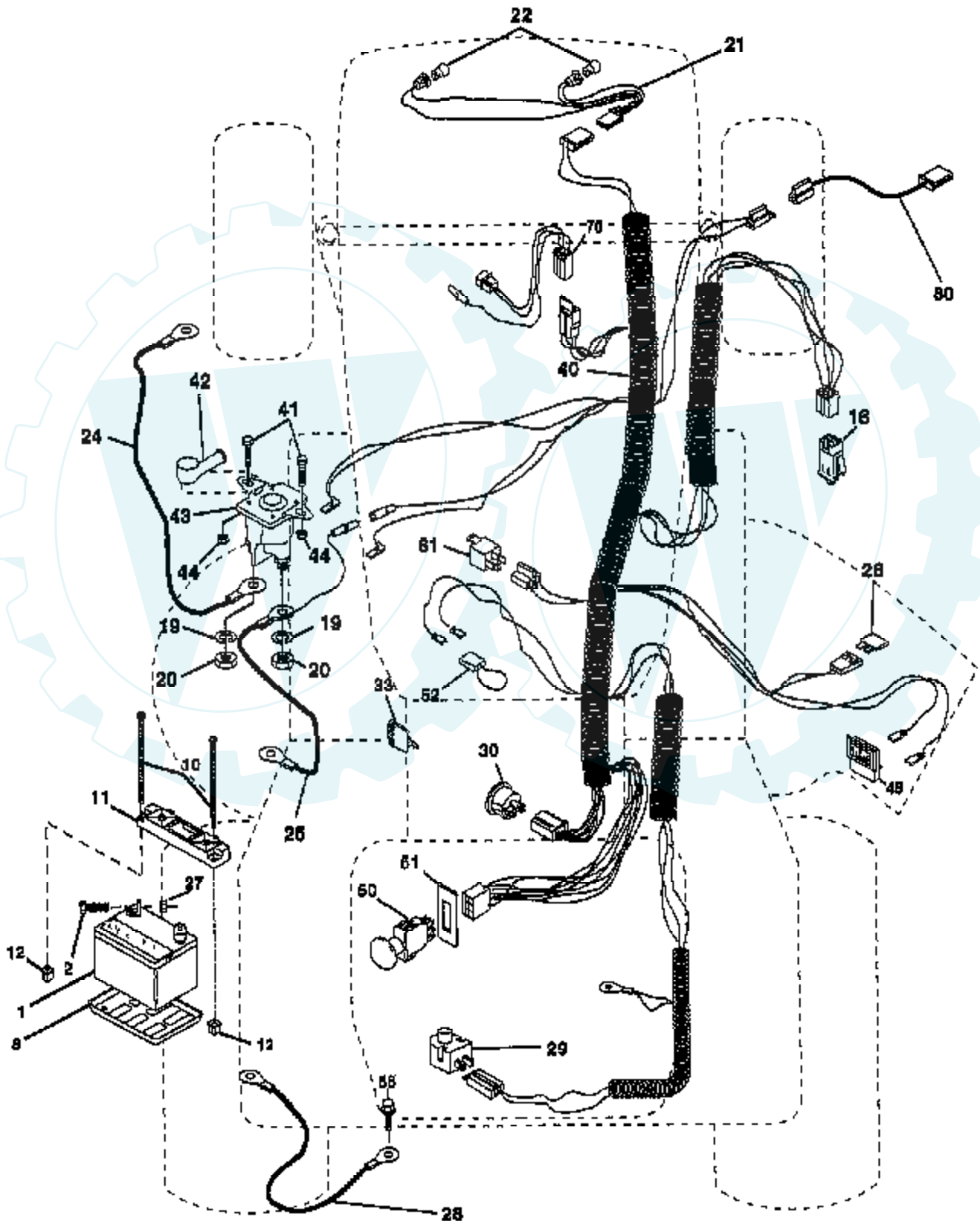


Ref #	Part Number	Qty	Description
1	SUPPLIER		CHECK WITH SUPPLIER
2	142431		SPRING RET BRAKE
3	143995		PULLEY.TRANSAXLE
8	166020		ROD.SHIFT.FEND.ADJ.YT
9	160889		CLUTCH.ELECTRIC
10	76020416		PIN COTTER 1/8
14	10040400		LOCKWASHER
16	73800500		NUT
19	73800600		NUT
20	150280		BOLT.7/16-20X4.25
21	121274X		KNOB.DUCKHEAD.1/2
22	158274		BRAKE.ROD.HYDRO.
23	154978		BRACKET.CLUT.MTG.
24	73350600		NUT
25	106888X		SPRING ROD LT
26	19131316		WASHER
27	76020412		COTTER PIN
28	145204		ROD.BRAKE.PARK.LT
29	71673		PLUNGER CAP T
30	123780X		BRKT TRANS LH
31	123791X		KEEPER BELT LH
32	74760512		BOLT
33	72140506		BOLT
34	155071		SHAFT ASM-PEDAL F
35	120183X		NYLON BEARING
36	19211616		WASHER LT
37	1572H		SUB= 2882J
38	131494		FLAT IDLER PULLEY
39	74760644		BOLT
40	4470J		SPACER T
41	165838		"KEEPER,BELT.IDLER FLAT"
42	19131312		WASHER
43	19111012		WASHER T
47	127783		SUB= 139245
48	154407		BELLCRANK.CLUTCH
49	123205X		RETAIN BELT
50	74760624		SUB= 74930624
51	73680600		SUB= 73690600
53	105710X		"LINK, CLUTCH T"
55	105709X		"SPRING, RETURN LT"
56	74760620		SUB= 74780620
57	161741		BELT.DRIVE
59	140312		KEEPER BELT CNTSP
61	17490612		SCREW
62	123533X		"COVER,PEDAL"
63	161400		PULLEY.ENGINE
65	10040700		LOCKWASHER
66	161488		ENGINE BELT KEEP
69	142432		SCREW HEXWSH H-L
71	158283		STRAP.TORQUE.LH.HYDRO
73	158282		STRAP.TORQUE.RH.HYDRO
76	12000053		E RING HYT
77	9396E		SQ KEY STD
81	165598		SHIFT.ASM.CROSS.TAPER
82	123782X		"SPRING,TORSION"
83	19171216		WASHER
89	164892X428		CONSOLE SHIFT AUTO.YT/GT.BLACK
93	142564		"LINE FUEL HYD 4"

Ref #	Part Number	Qty	Description
94	140462		"FAN 7"" HYDRO"
95	158508		CONTROL.ASM.BYPAS
96	4497H		RETAINER M
100	19111216		WASHER M
102	141322		WASHER BELLEVILLE
103	73940800		SUB= 73360800
110	74760612		SUB= 74780612
111	123776X		BRKT TRANS RH
126	1685H		SUB= 68478
127	74490548		BOLT.HEX.FLGHD.
128	158284		BRKT NEUTRAL ADJ
129	105529X		SUB= 139888
131	10140500		SUB= 10040500
133	165926		TRANSAXLE LINK
134	158278		"KEEPER BELT,RH"
135	123800X		WASHER
136	163168		WASHER.AXLE.HYDRO
137	19111212		WASHER
138	19112016		WASHER
139	74780612		BOLT
140	4475J		BUSHING.PINION.SECTOR
141	159197		PIN HITCH
142	74330516		BOLT.5/16X24X1
145	74490540		BOLT.HEX.FLGHD
146	74490536		BOLT.HEX.FLGHD.
150	165850		BUSHING.BELLCRANK.GRD.DR
151	19133210		WASHER
156	166002		WASHER.SRRTD.5/16
158	165589		BRKT.SHIFT.MOUNT
159	165494		HUB.SHIFT
160	19292016		WASHER
161	72140406		BOLT T
162	73680400		SUB= 73690400
163	74780416		NLA
164	19091010		WASHER.5/8X.281X10GA
165	165623		BRKT.PIVOT.LEVER
166	166880		SCREW.5/16-18X5/8
168	165492		BOLT.SHOULDER.5/16-18X.561
169	165581		PLATE.FASTENING
171	17490608		SCREW LT
189	160849		WASHER.SPACER AXL

TRACTOR -- MODEL NUMBER RKGT20H46A

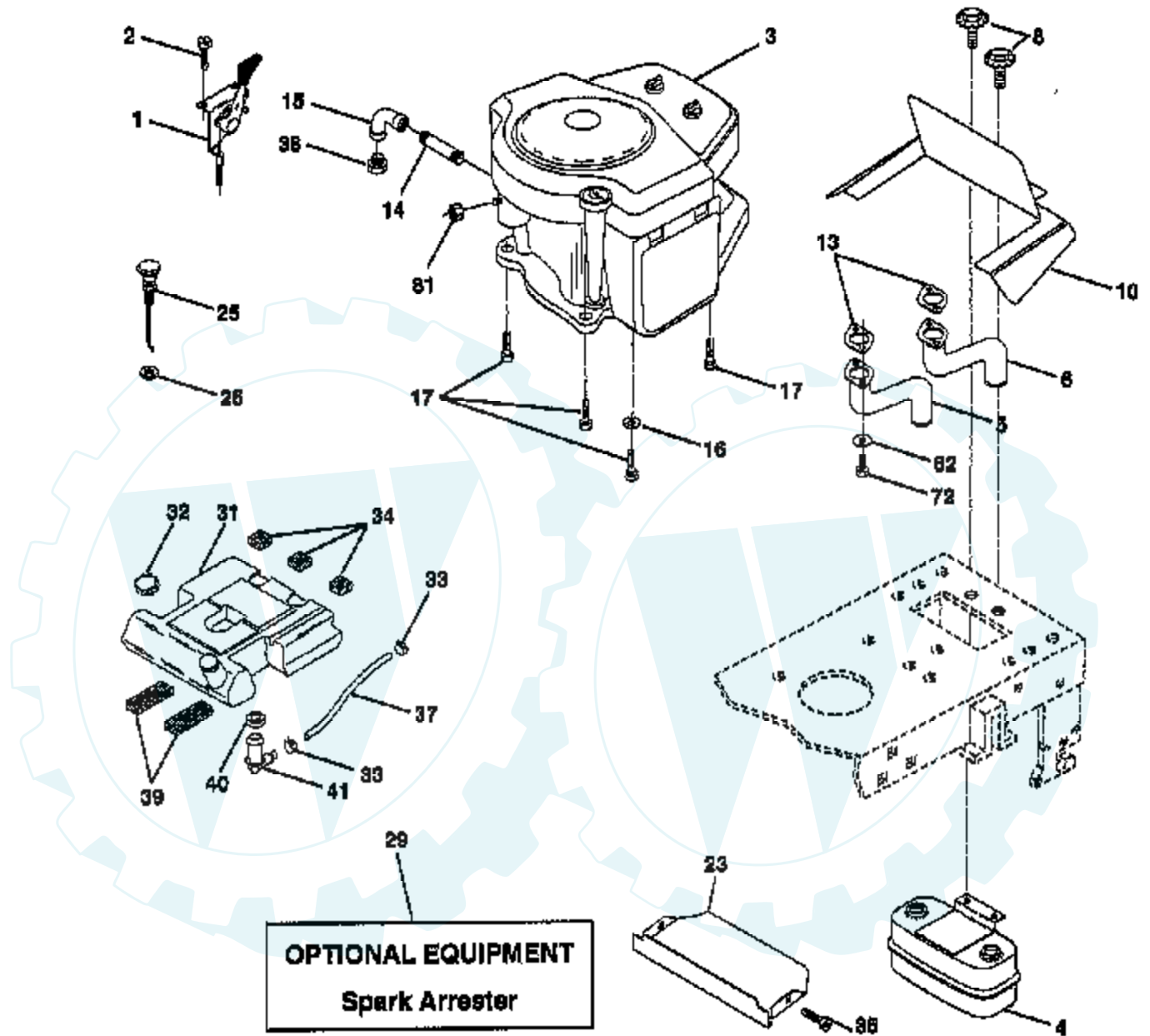
ELECTRICAL



Ref #	Part Number	Qty	Description
1	163465		SUB= 123899X
2	74760412		BOLT LT
8	7603J		"TRAY T, BATTERY"
10	145211		SUB= 150177
11	150109		HOLDDOWN BATTERY
12	145769		SUB= 150177
16	153664		SWITCH INTERLOCK
19	10090400		SUB= 10040400
20	73350400		NUT
21	166181		HARNES.ASM.LIGHT W/4152J
22	4152J		HEADLAMP BULB
24	4206J		CABLE-BATTERY T
25	146148		CABLE.6GA.22W/16W
26	166180		FUSE.15 AMP
27	73510400		NUT
28	145491		CABLE.GRND.6GA.21
29	160784		SWITCH.PLUNGER
30	163968		SWITCH.IGN.
33	140401		KEY MLD GEN DELTA
40	166162		HARNES.IGN.SRS.YT.ELECT.
41	71110408		BOLT HXHD FIN
42	131563		SUB= 154336
43	145673		SUB= 146154
44	73640400		NUT HXKEP 1/4X20
45	122822X		AMMETER
50	154959		PTO SWITCH.BLK
51	140405		RING RETAIN PTO
52	141940		PROTECTION LOOP
55	17490508		SCREW LT
70	166668		HARNES.ENGINE
80	146685		HARNES.CLUT.EVX.
81	109748X		RELAY ASSY T

TRACTOR -- MODEL NUMBER RKGT20H46A

ENGINE

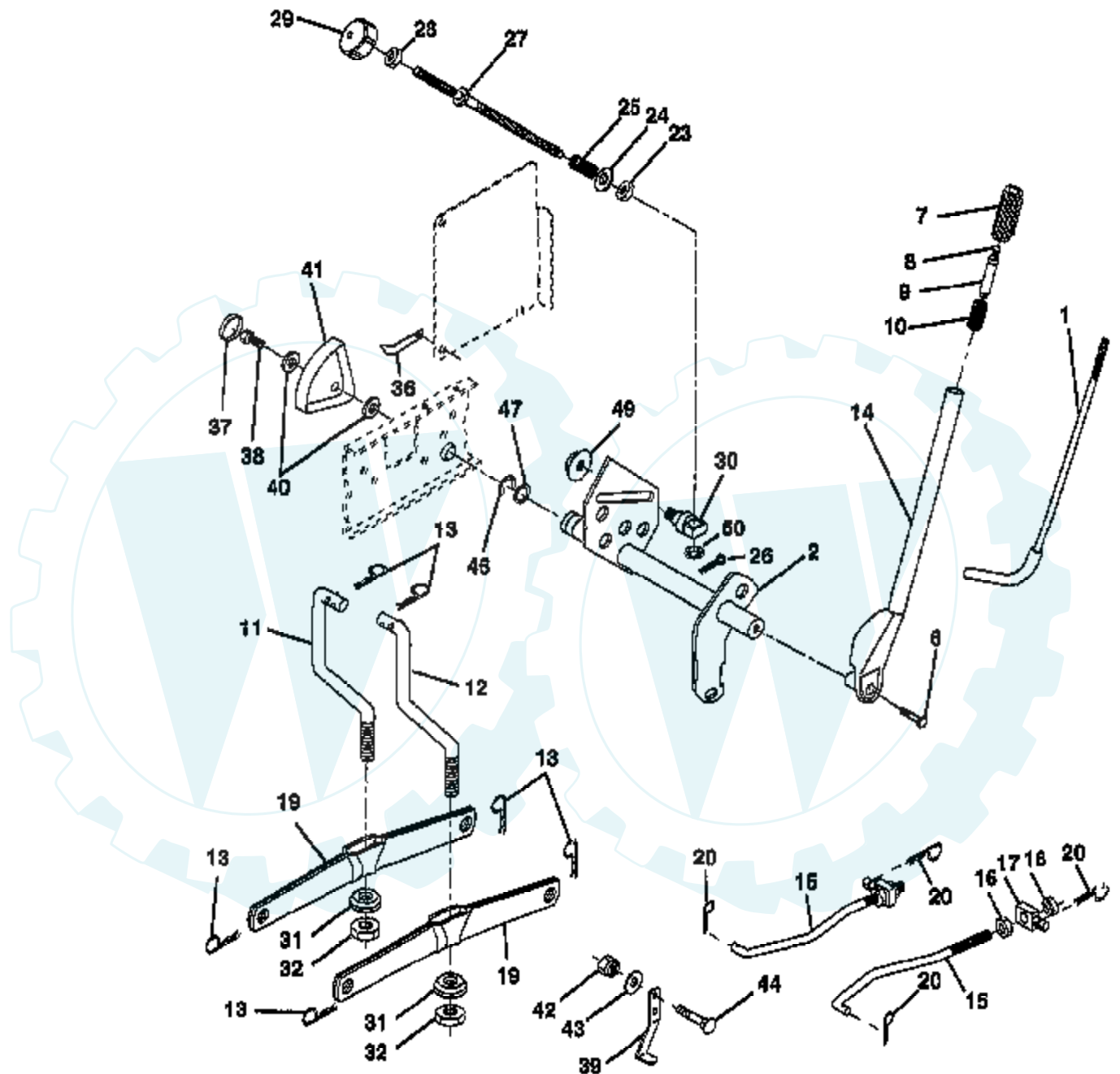


NOTE: All component dimensions given in U.S. inches.
1 inch = 25.4 mm.

Ref #	Part Number	Qty	Description
1	143885		CONTROL.TRTL.37
2	17720410		SCREW LT
3	SUPPLIER		CHECK WITH SUPPLIER
4	149723		MUFFLER.TW.LOTONE
5	159955		TUBE MANIFOLD LH
6	160589		TUBE MANIFOLD RH
8	150176		BOLT.5/16-18.UNC
10	162797		SHIELD.BROWNING
13	165391		SUB= 273485
14	13280336		PIPE NIPPLE LT
15	13200300		ELBOW
16	11050600		LOCKWASHER
17	17490624		SCREW LT
23	159880		SHIELD.BRN/DBR.GD
25	161729		"CONTROL.CHOKE.40""BLK"
26	73920600		"NUT,KEPS 3/8-24IM"
29	137180		SUB= 532137180
31	151346		TANK FUEL REAR
32	140527		CAP ASM FUEL
33	123487X		HOSE CLAMP
34	106082X		PAD-SPACER LT
35	17490512		SCREW
37	8543R		FUEL LINE T
38	SUPPLIER		CHECK WITH SUPPLIER
39	109227X		PAD IDLER TI
40	3645J		BUSHING OUTLET T
41	139277		STEM.TANK.FUEL
62	10040500		LOCKWASHER
72	71070512		SCREW
81	128861		NUT

TRACTOR - - MODEL NUMBER RKGT20H46A

LIFT

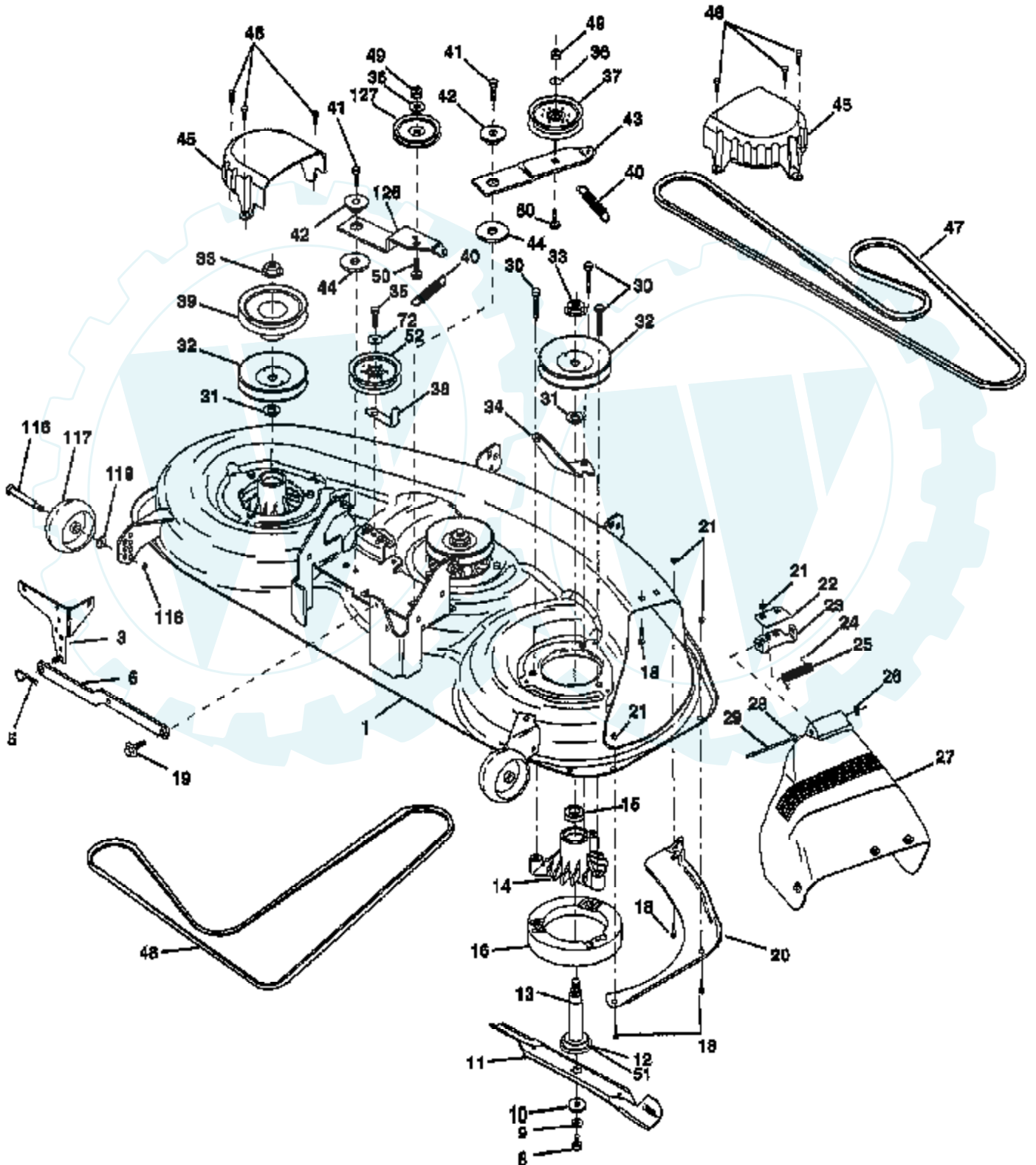


NOTE: All component dimensions given in U. S. inches
1 inch = 25.4 mm

Ref #	Part Number	Qty	Description
1	121006X		LEVER ROD LT
2	159188		LEVER ASSY LIFT.RH.
3	105767X		PIN-GROOVE LT
4	12000002		SUB= 2225J
5	19211621		WASHER
6	74780624		"BOLT,HEX"
7	125631X		GRIP HANDLE
8	124526X		SUB= 125925X
9	122364X		SUB= 125925X
10	2876H		SPRING T
11	145537		LINK.LIFT.LH.GTV
12	145536		LINK.LIFT.RH.GTV.
13	4939M		SUB= 85902
14	159189		LEVER.ASM.LIFT.RH
15	127218		LINK.FRONT
16	73350800		NUT
17	130171		TRUNION
18	73680800		NUT LTV
19	139868		ARM SUSP REAR
20	163552		RETAINER SPRING
23	110807X		NUT T
24	19131016		WASHER
25	137150		SPRING.COMP.INF.H
26	76020308		SUB= 3145
27	137167		ROD.ADJ.LIFT
28	73350600		NUT
29	138057		KNOB INF 3/8-16
30	150233		TRUNNION
31	140302		BEARING PVT LH
32	73540600		NUT.CROWNLOCK.3/8
36	155097		POINTER-INDICAT
37	123935X		"PLUG,HOLE"
38	17490512		SCREW
39	142992		STOP.OVER.CENTER
40	19112410		WASHER
41	123934X		HEIGHT INDICATOR
42	73680600		SUB= 73690600
43	19131612		WASHER GT
44	72240608		BOLT
46	12000022		E-RING
47	19292016		WASHER
49	145212		NUT.HXFLG.LOCK.
50	110452X		NUT PUSH M

TRACTOR - - MODEL NUMBER RKGT20H46A

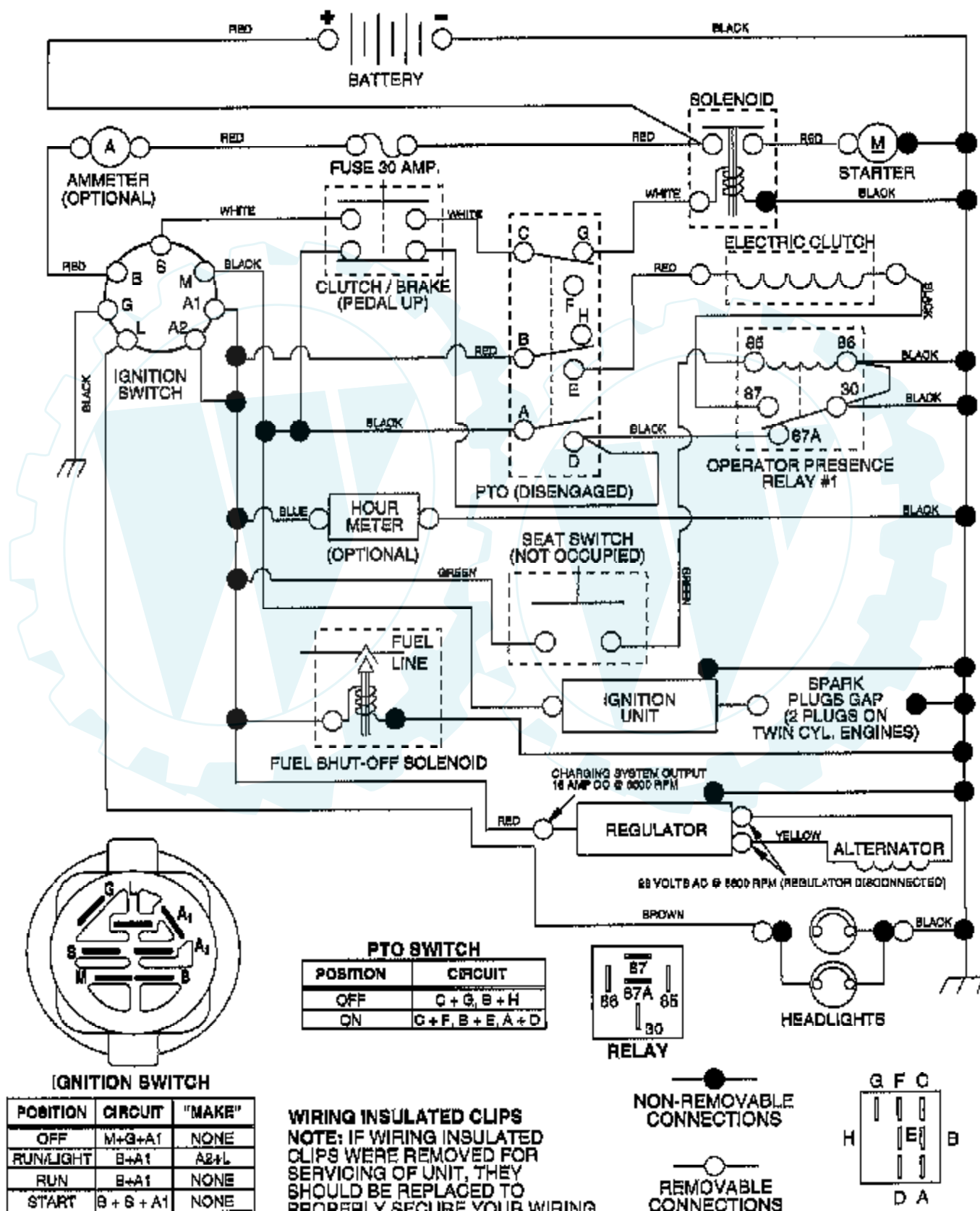
MOWER DECK



Ref #	Part Number	Qty	Description
1	164210		"DECK.ASM.MOWER46""
3	138457		BRKT.ASM.SW.44/50
5	4939M		SUB= 85902
6	130832		SUB= 130833
8	850857		BLADE BOLT
9	10030600		SUB= 10040600
10	140296		WASHER.HARD.BLADE
11	163819		"BLADE MULCH 46""
12	129895		BEARING.BALL
13	137553		SHAFT.ASM.W/BRNG
14	137152		HOUSING.MAND.44.V
15	110485X		BEARING
16	140329		STRIPPER RND MWR
18	72140505		BOLT
19	132827		BOLT SHD 5/16-18
20	145055		BAFFLE.VORTEX.46
21	73680500		SUB= 73690500
22	134753		STIFFENER BRKT
23	131267		DEFLECTOR BRKT
24	105304X		CAP-SLEEVE LT
25	149287		SUB= 123713X
26	110452X		NUT PUSH M
27	157788		SHIELD DEFLECTOR
28	19111016		WASHER
29	131491		HINGE ROD
30	157722		"SCREW-THD ROLL,WA"
31	129963		WASHER
32	153531		PULLEY.MAND.36/46
33	137266		SUB= 139729
34	144945		ANCHOR.SPRING.46
35	17490628		SCREW LT
36	19131316		WASHER
37	131494		FLAT IDLER PULLEY
38	156086		"KEEPER BELT,IDLER"
39	144917		PULLEY.DRV.DCK.46
40	137273		"SPRING.SEC.44""VEN"
41	17490620		SCREW
42	122052X		SPACER RETAINER
43	144949		ARM.IDLER.DECK.46
44	133943		HARDENED WASHER
45	145059		COVER.MANDREL.46
46	137729		SCREW.1/4-20X5/8
47	144959		BELT-V.SEC.46.KEL
48	148763		BELT.MWR.PRM.85.4
49	73680600		SUB= 73690600
50	72110612		BOLT.3/8-16X1.50
51	153390		WASHER.FELT.
52	156493		"PULLEY IDLER,FLAT"
72	19131616		WASHER HYT
116	137644		BOLT.SHOULDER
117	133957		WHEEL GAGE DONUT
118	73930600		LOCKNUT
119	19121414		WASHER
126	144948		ARM.IDLER.PRIM.46
127	146763		PULLEY.IDLER.4.25
	143651		MANDREL SERV ASM
	166222		DECK COMPLETE

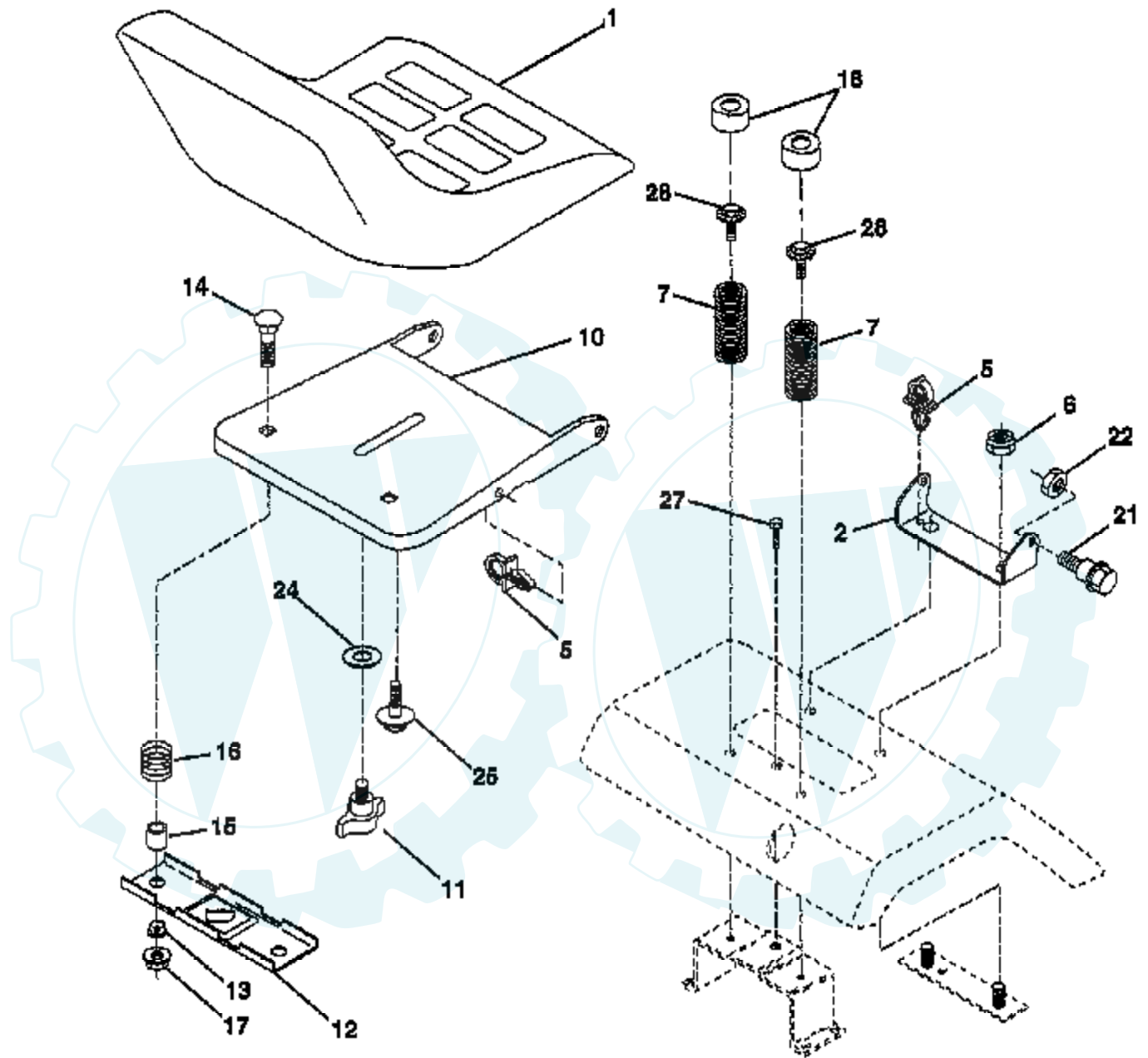
TRACTOR - - MODEL NUMBER RKGT20H46A

SCHEMATIC



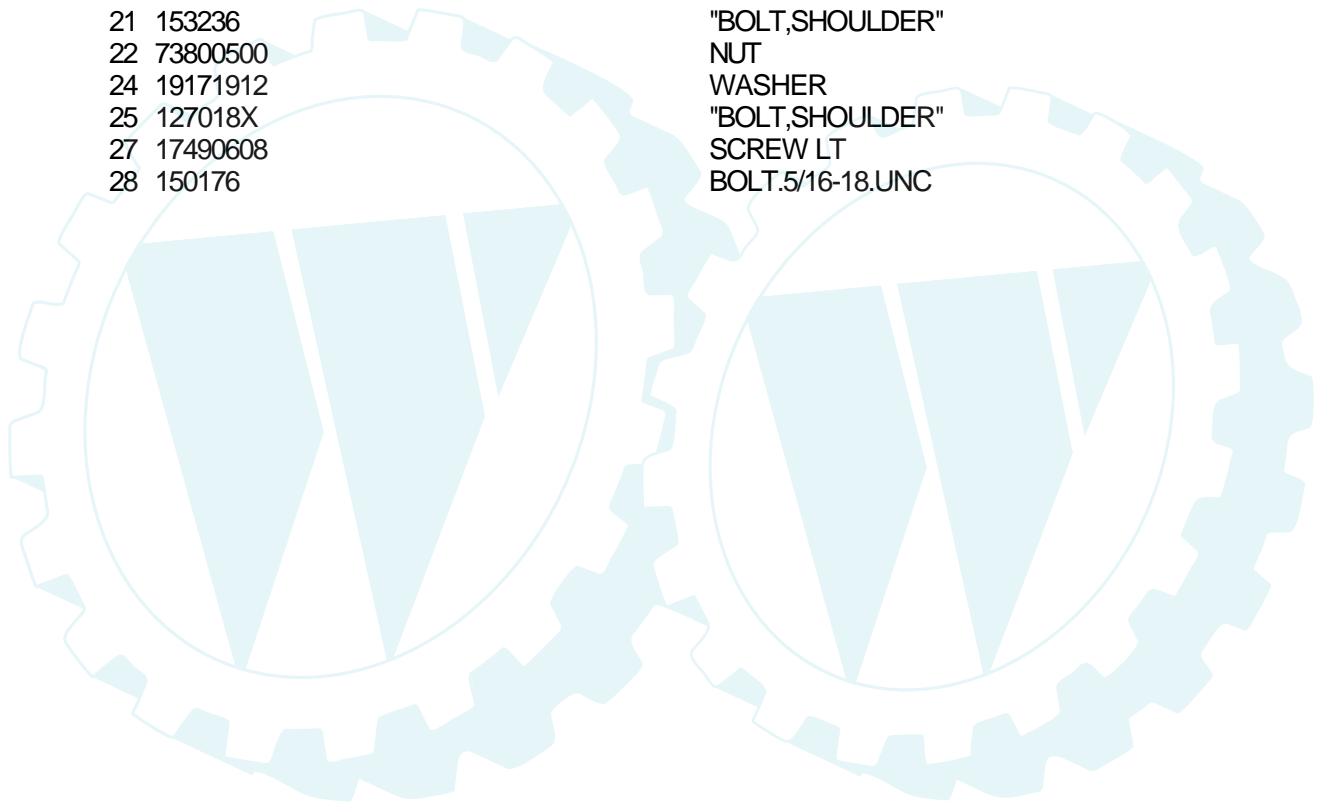
TRACTOR - - MODEL NUMBER RKGT20H46A

SEAT ASSEMBLY



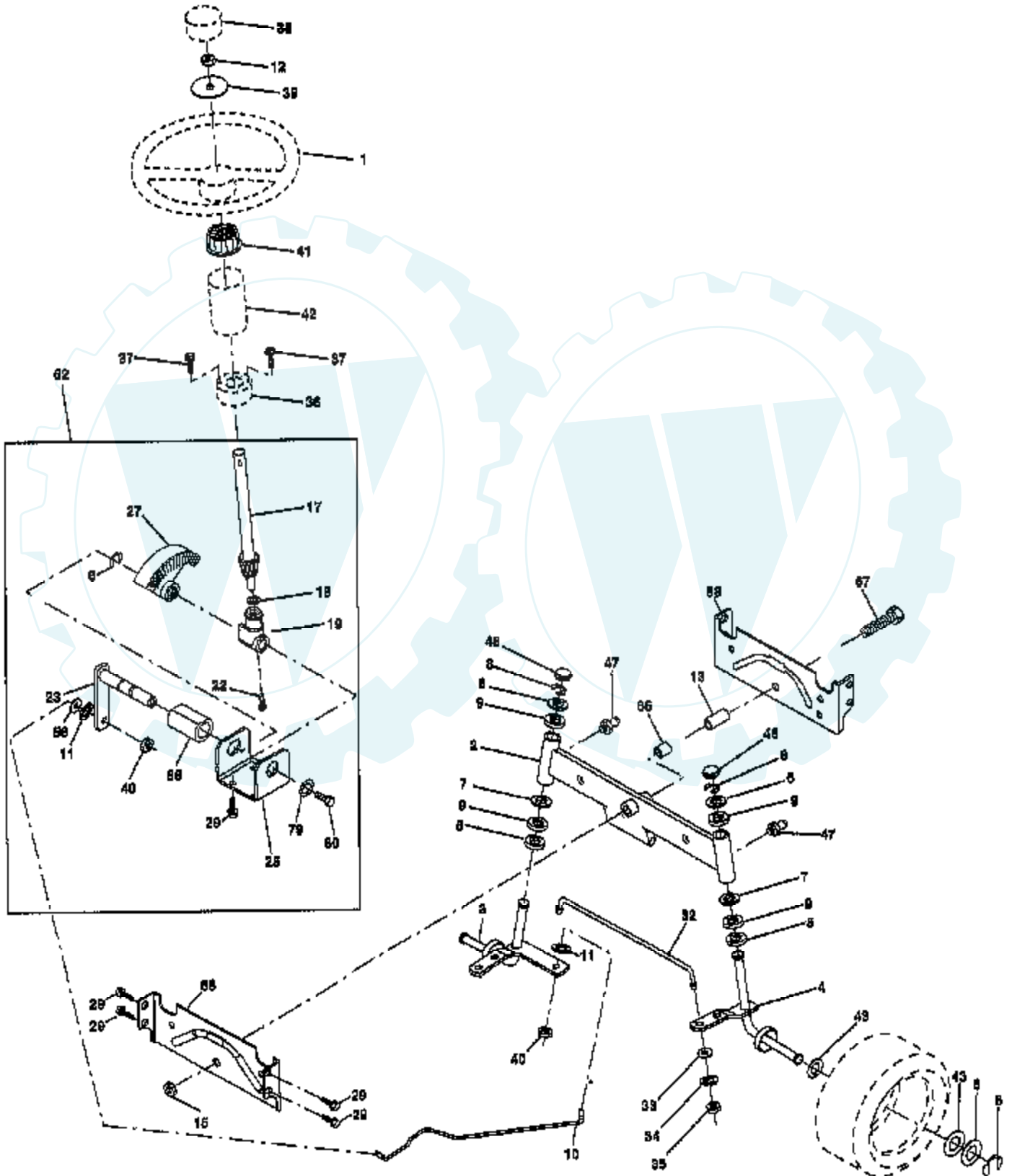
NOTE: All component dimensions given in U.S. inches
1 inch = 25.4 mm.

Ref #	Part Number	Qty	Description
1	140118		SEAT.2500/1516.BK
2	140551		BRACKET PVT SEAT
5	145006		CLIP.PUSH-IN.HING
6	7380060		SUB= 73800600
7	124181X		SPRING COMPRESSIO
10	155925		PAN-SEAT
11	166369		KNOB.SEAT.ADJ.WINGNUT
12	121246X		BRKT SWITCH
13	121248X		BUSHING
14	72050412		BOLT-RD HD SQ NK
15	121249X		SPACER SPLIT
16	123740X		SPRING COMPRESSED
17	123976X		SUB= 73900400
18	124238X		CAP SPRING
21	153236		"BOLT,SHOULDER"
22	73800500		NUT
24	19171912		WASHER
25	127018X		"BOLT,SHOULDER"
27	17490608		SCREW LT
28	150176		BOLT.5/16-18.UNC



TRACTOR -- MODEL NUMBER RKGT20H46A

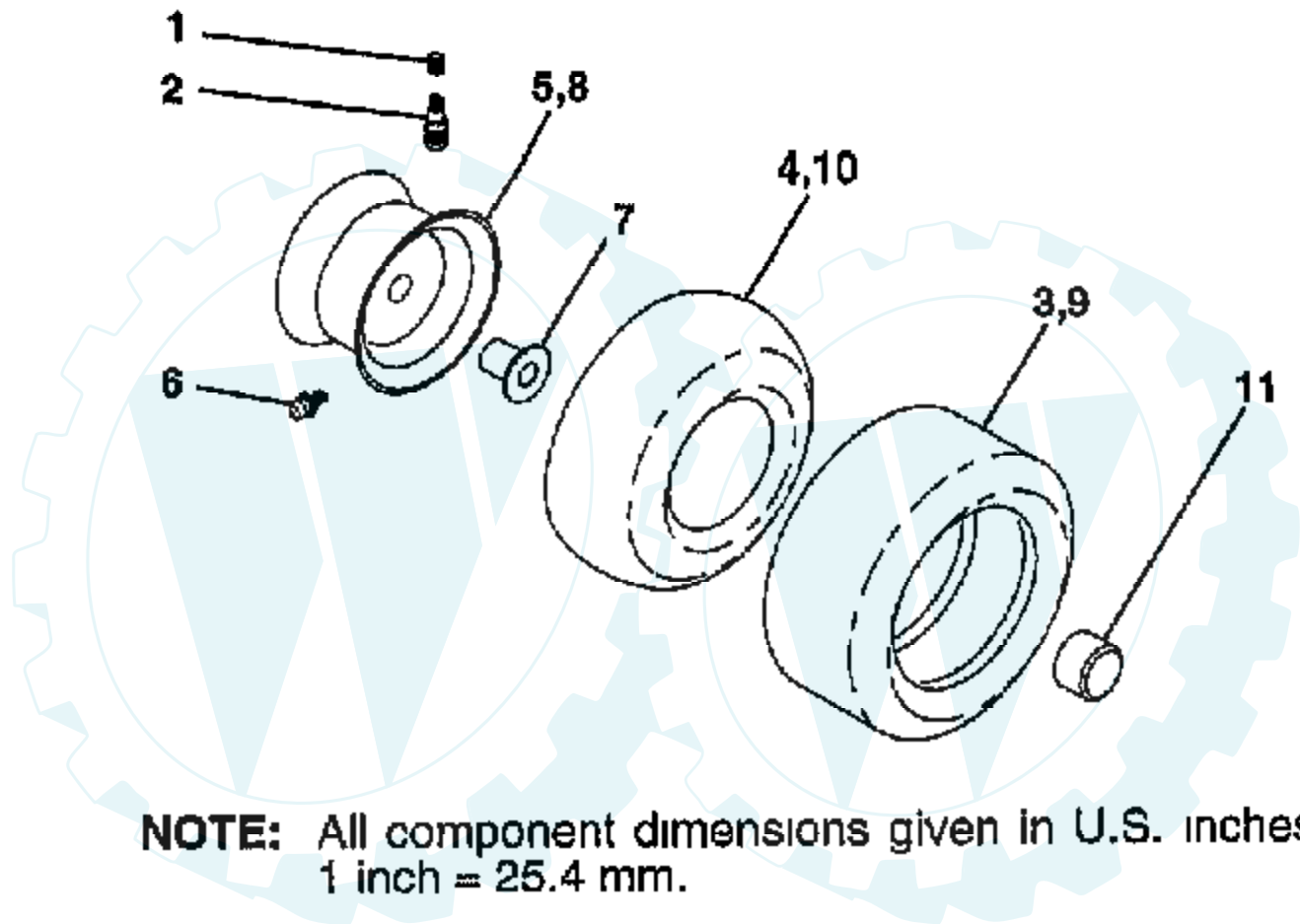
STEERING ASSEMBLY



Ref #	Part Number	Qty	Description
1	121472X		SUB= 150546
2	154427		AXLE ASM
3	156483		SPINDLE.ASM.LH
4	157473		"SPINDLE ASM,RH"
5	6266H		WASHER .T
6	121748X		WASHER
7	19272016		WASHER
8	12000029		RING
9	3366R		COL. SRTG. BEAR.
10	156438		DRAGLINK-STAMPED
11	10040600		LOCKWASHER
12	73940800		SUB= 73360800
13	154779		BEARING AXLE
15	73901000		"NUT-LOC,FLANGE LT"
17	156543		SHAFT ASM STEERNG
18	57079		THRUST WASHER
19	160395		SUPPORT.SHAFT.STEER
22	165857		SCREW.HX.WSH.HD
23	165851		SHAFT.ASM.PITMAN
25	154406		BRKT-STEERING
27	136874		GEAR SECTOR
29	17490612		SCREW
32	139929		ROD.TIE.19.75
33	19111216		WASHER M
34	10040500		LOCKWASHER
35	73810500		NUT.LOCK.5/16-24
36	145207		BUSHING.STRG.3/4
37	152927		"SCREW-TT,10-32 FL"
38	126805X		"INSERT,STR WHEEL"
39	100712K		WASHER
40	7810H		GRIPCO NUT
41	100711L		ADAPTER LT
42	140216		BOOT SHAFT STEER
43	121749X		WASHER
46	121232X		CAP
47	6855M		ZERK M
56	19131210		WASHER
62	167905		KIT.STEER.ASM.LT
65	154780		SPACER AXLE
66	154404		"BEARING-ARM,PITMA"
67	74781044		BOLT
68	154429		BRACE AXLE
79	19132012		WASHER
80	74950612		BOLT.HX.NYLON3/8-16X3/

TRACTOR - - MODEL NUMBER RKGT20H46A

WHEELS & TIRES



Ref #	Part Number	Qty	Description
1	59192		VALVE CAP
2	65139		VALVE STEM LT
3	106222X		SUB= 122073X
4	PARTSIMAGE		REFER TO PARTS IMAGE
4	59904		TUBE.5.3/4.5/6
5	106732X427		"RIM ASM 6" FRT"
6	278H		FITTING LT
7	9040H		"FLANGE, BEARING"
8	124074X427		RIM.REAR.
9	124106X		SUB= 138756
10	PARTSIMAGE		REFER TO PARTS IMAGE
10	7154J		TUBE.23X8/10-12
11	104757X		HUB CAP
	144334		SEALANT.TIRE 10 OZ. TUBE

