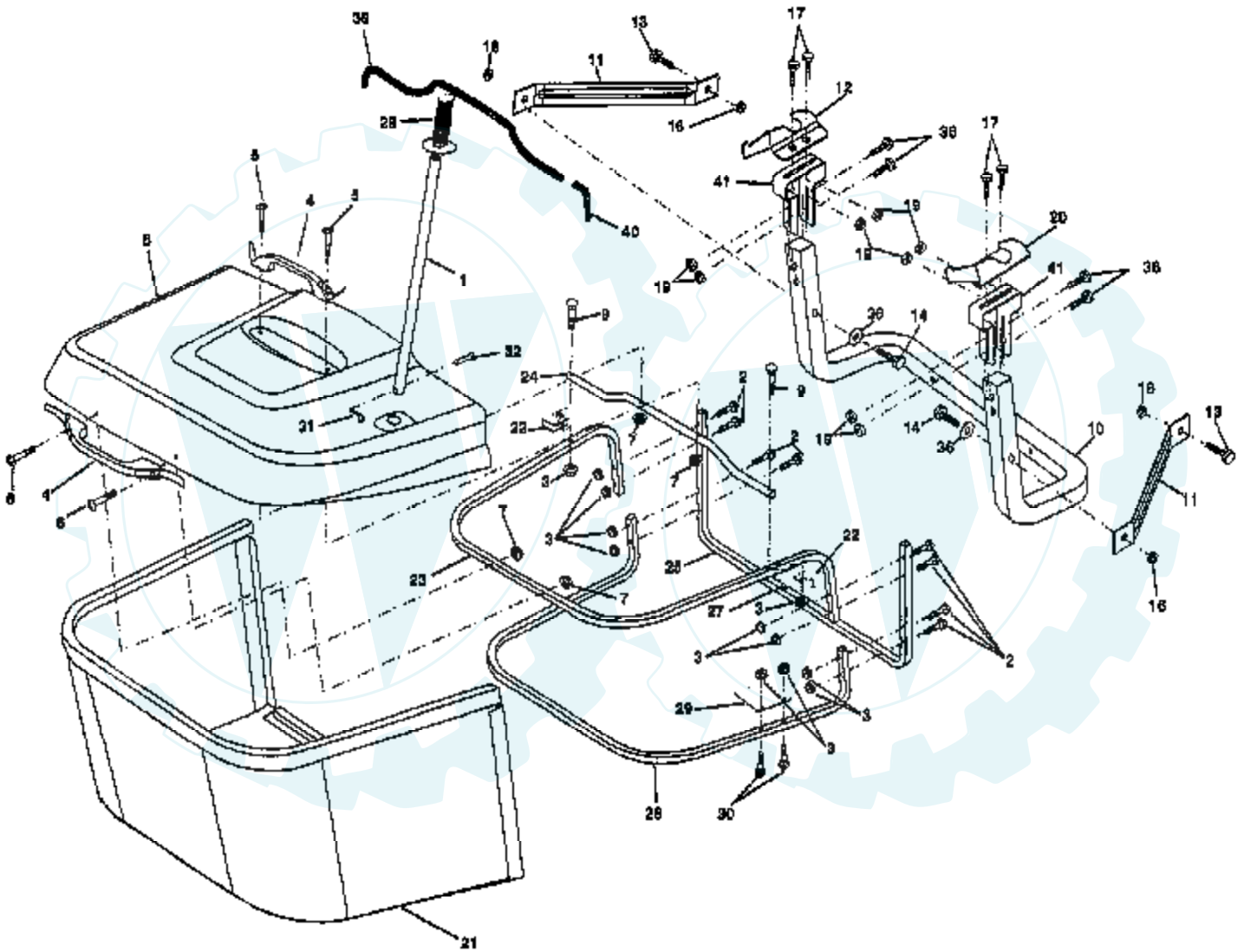


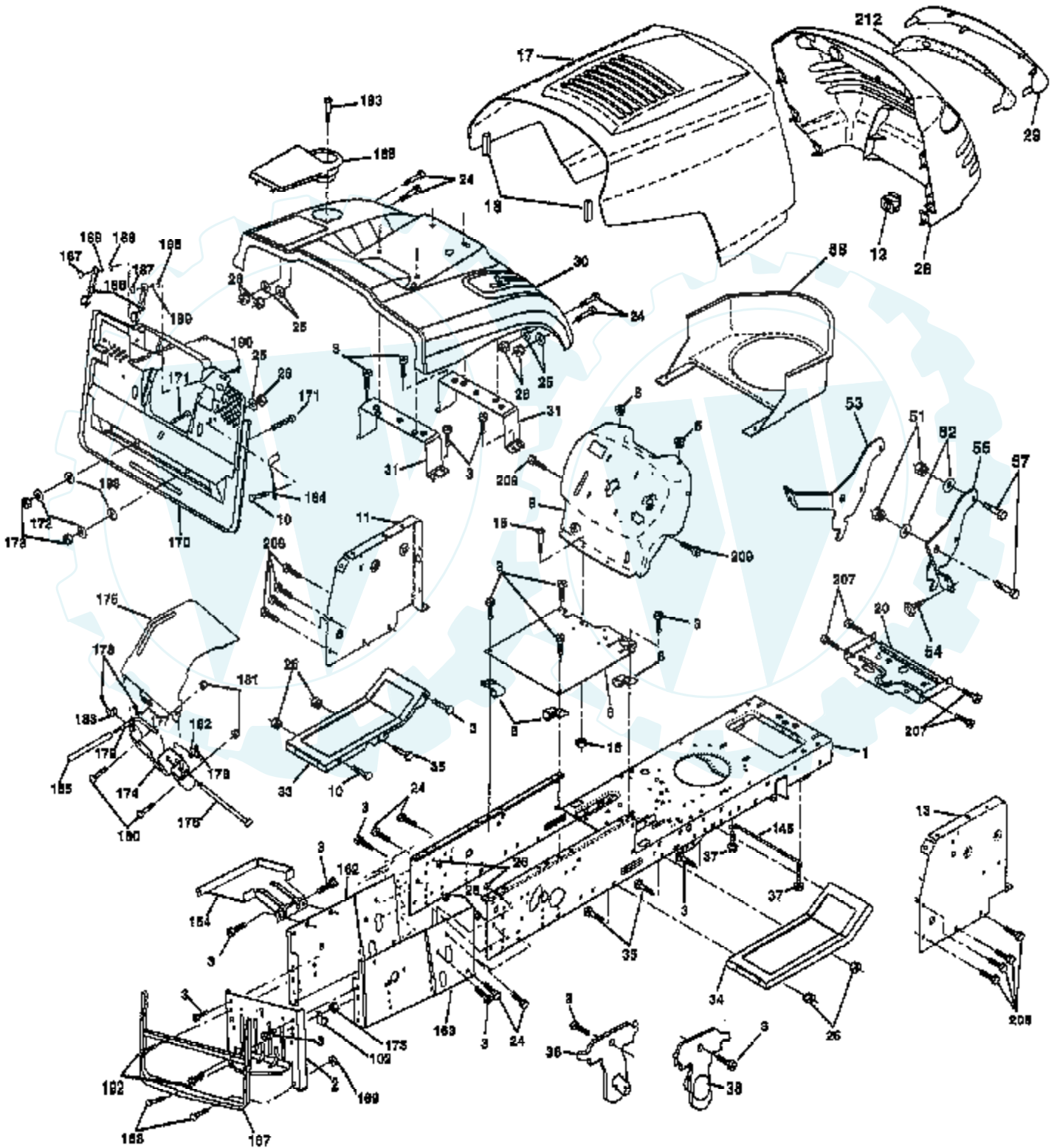
TRACTOR- -MODEL NO. RER145H36C

BAGGER



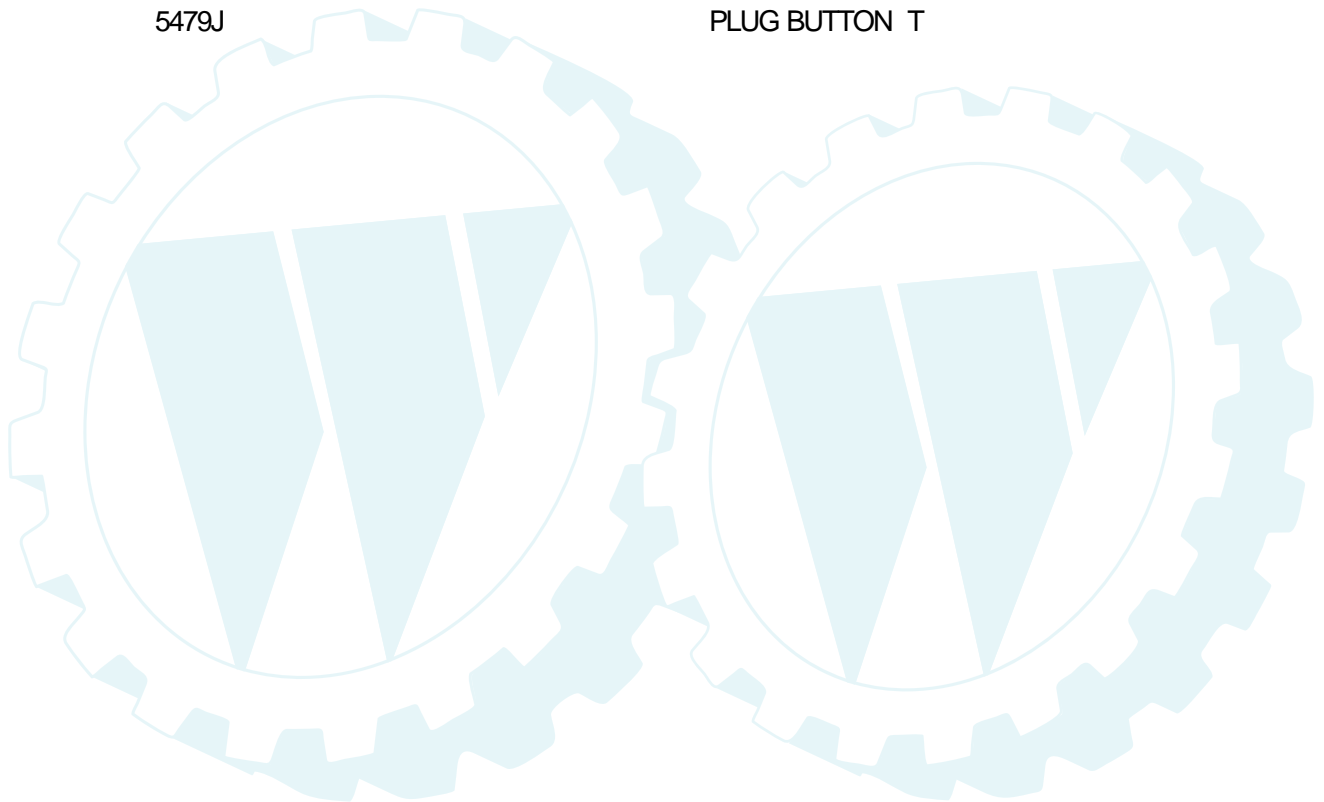
| Ref # | Part Number | Qty | Description |
|-------|-------------|-----|-------------------------------|
| 1 | 170690 | | TUBE HANDLE BAGGER |
| 2 | 72140416 | | BOLT.CARRIAGE.1/4-20X2.0 |
| 3 | 123976X | | SUB= 73900400 |
| 4 | 169916 | | HANDLE BAGGER |
| 5 | 74981024 | | "SCREW,PAN.HEAD" |
| 6 | 74981032 | | SCREW |
| 7 | 73401000 | | NUT.WIZ.LOCK |
| 8 | 165715X505 | | COVER.BAG.CRD |
| 9 | 72140418 | | BOLT CARRIAGE |
| 10 | 169688 | | TUBE SUPPORT BAGGER CRD |
| 11 | 165719 | | BRKT.SUPT.UPPER.BAG.CRD |
| 12 | 169685 | | BRACKET HORIZ ADJ BGGR LH CRD |
| 13 | 72110606 | | BOLT |
| 14 | 74520640 | | BOLT.HEX.3/8-16X2-1/2 |
| 16 | 73900600 | | SUB= 83923 |
| 17 | 72140506 | | BOLT |
| 18 | 19111216 | | WASHER M |
| 19 | 73900500 | | "NUT HEX,LOCK,FLAN" |
| 20 | 169684 | | BRACKET HORIZ ADJ BGGR RH CRD |
| 21 | 165780 | | BAG.ASM.CRD |
| 22 | 165781 | | BRKT.SIDE.BAG.CRD |
| 23 | 165782 | | TUBE.UPPER.BAG.CRD |
| 24 | 165783 | | TUBE.PIVOT.BAG.CRD |
| 25 | 165784 | | TUBE.FT.BAG.CRD |
| 26 | 165785 | | TUBE.LOWER.BAG.CRD. |
| 27 | 169692 | | BUSHING SNAP BAGGER CRD |
| 28 | 170696 | | GRIP |
| 31 | 4497H | | RETAINER M |
| 32 | 126875X | | RIVET.DRILL.1.75 |
| 36 | 19132016 | | SUB= 19132012 |
| 38 | 72010520 | | BOLT.5/16-18X2.5 |
| 39 | 169999 | | SEAL |
| 40 | 170000 | | SEAL |
| 41 | 169683 | | BRACKET VERT ADJ BAGGER CRD |
| 42 | 73800500 | | NUT |

TRACTOR- -MODEL NO. RER145H36C CHASSIS AND ENCLOSURES



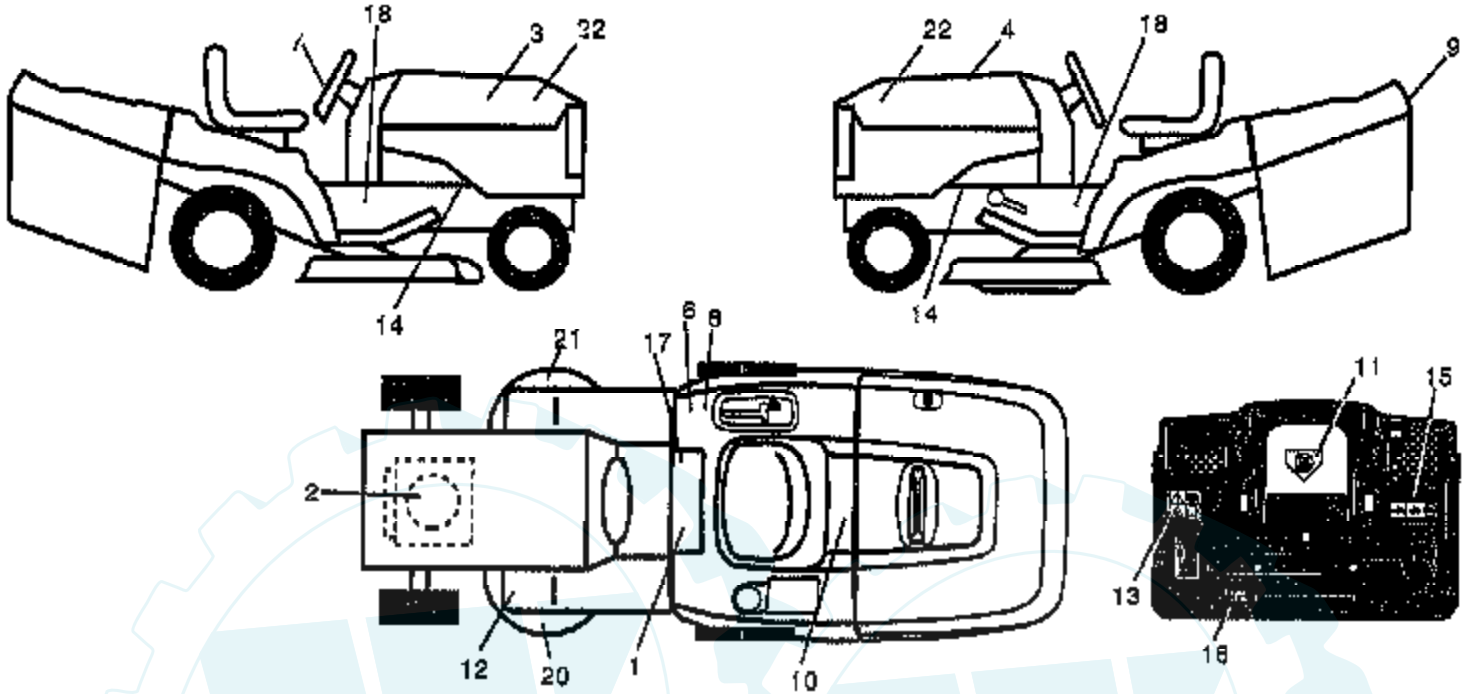
| Ref # | Part Number | Qty | Description |
|-------|-------------|-----|----------------------------|
| 1 | 169831 | | CHASSIS |
| 2 | 165606 | | DRAWBAR.CRD |
| 3 | 17060612 | | SCREW |
| 5 | 155272 | | BUMPER-HOOD/DASH |
| 6 | 155923 | | SADDLE |
| 8 | 126471X | | "CLIP,INSULATOR" |
| 9 | 168347X011 | | DASH |
| 10 | 72140608 | | SUB= 72110608 |
| 11 | 155927 | | "PANEL-DASH,LH" |
| 12 | 145660 | | CLIP.TINNERMAN |
| 13 | 172107X010 | | DASHBOARD |
| 15 | 74180512 | | SCREW |
| 16 | 73510500 | | NUT |
| 17 | 159639X505 | | HOOD.STEEL.ASSY |
| 18 | 126938X | | SUB= 532126938 |
| 20 | 156437 | | "PLATE-MTG,BATT/FU" |
| 24 | 74780616 | | BOLT |
| 25 | 19131312 | | WASHER |
| 26 | 73800600 | | NUT |
| 28 | 140434 | | GRILL.BLK |
| 29 | 140273X599 | | LENS.GRILLE.PRIVATE LABEL |
| 30 | 165713X505 | | FENDER.AUTO |
| 31 | 165156 | | BRKT.SUPT.FENDER.CRD |
| 33 | 105476X505 | | FOOTREST LH |
| 34 | 105475X505 | | FOOTREST RH |
| 35 | 72110606 | | BOLT |
| 37 | 17490508 | | SCREW LT |
| 38 | 169834 | | BRKT ASM PIVOT MOWER REAR |
| 51 | 73800400 | | NUT |
| 52 | 19091416 | | WASHER |
| 53 | 144697 | | BRACKET.GRILLE.LH |
| 54 | 161464 | | SCREW.HEX.WS.HD |
| 55 | 144696 | | BRACKET.GRILLE.RH |
| 57 | 74780412 | | SUB= 74780414 |
| 58 | 140547 | | DUCT.AIR.B&S.18HP |
| 102 | 2751R | | CLIP T |
| 145 | 156524 | | "ROD POVOT,CHASSIS" |
| 162 | 165672 | | BRKT.EXT.CHASSIS.LH.CRD |
| 163 | 165673 | | BRKT.EXT.CHASSIS.RH.CRD |
| 164 | 165605 | | SUPPORT.BATTERY.CRD |
| 165 | 165742X428 | | COVER.BATTERY.CRD.BLACK.LT |
| 167 | 165779 | | SUPT.ASM.BACKPLATE |
| 168 | 72050412 | | BOLT-RD HD SQ NK |
| 169 | 123976X | | SUB= 73900400 |
| 170 | 165607 | | COVER.BACKPLATE.BLACK |
| 171 | 74520640 | | BOLT.HEX.3/8-16X2-1/2 |
| 172 | 19132016 | | SUB= 19132012 |
| 173 | 73510600 | | NUT |
| 174 | 165939 | | BRKT.SWITCH.FBI.CRD |
| 175 | 166212 | | GRUARD.DOOR.REAR.CRD |
| 176 | 128600 | | HINGE PIN |
| 177 | 132796 | | SPRING.COVER.LH |
| 178 | 76020312 | | SUB= 3145 |
| 179 | 165942 | | ROD.PIVOT.FBI.CRD |
| 180 | 74760516 | | SUB= 77394 |
| 181 | 73680500 | | SUB= 73690500 |
| 182 | 138200 | | WASHER 385X 625 |
| 183 | 19131316 | | WASHER |

| Ref # | Part Number | Qty | Description |
|-------|-------------|-----|-------------------------|
| 184 | 166139 | | BRKT.ACTUATOR.BAG.CRD |
| 185 | 165940 | | TUBE.LEVER.SWCH.FBI.CRD |
| 186 | 160793 | | LATCH ASSY.BAGGER |
| 187 | 2029J | | WELDNUT |
| 188 | 19061216 | | WASHER #10 |
| 189 | 10071000 | | LOCKWASHER |
| 190 | 71161010 | | SCREW |
| 192 | 17490624 | | SCREW LT |
| 193 | 17070412 | | SCREW |
| 198 | 168937 | | NUT PUSH |
| 207 | 17670508 | | SCREW |
| 208 | 17670608 | | SCREW |
| 209 | 17000612 | | SCREW |
| 212 | 156229 | | INSERT LENS REFLECT |
| | 5479J | | PLUG BUTTON T |



TRACTOR- -MODEL NO. RER145H36C

DECALS

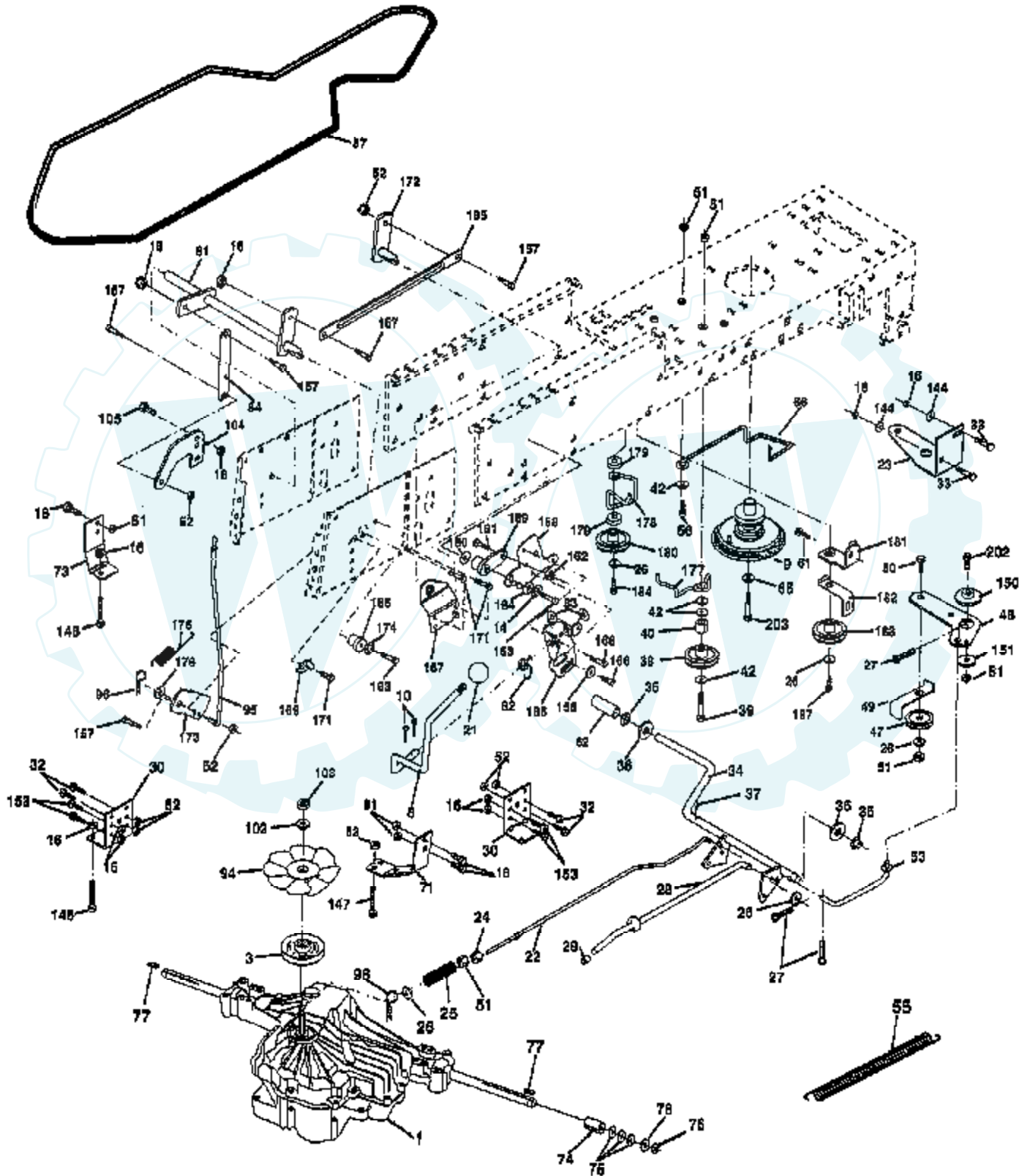


NOTE: All component dimensions given in U.S. inches
1 inch = 25.4 mm

| Ref # | Part Number | Qty | Description |
|-------|-------------|-----|-----------------------------|
| 1 | 145498 | | DECAL.READ.O.MANU |
| 2 | 169552 | | DECAL, HP ENGINE |
| 3 | 153266 | | DECAL HOOD RH |
| 4 | 153267 | | DECAL HOOD LH |
| 6 | 126187X | | SUB= 532126187 |
| 7 | 127075 | | "DECAL,STR WHL" |
| 8 | 145437 | | DECAL.EURO.ST.CE. |
| 9 | 132628 | | FENDER DECAL |
| 10 | 145005 | | DECAL.BATRY.3-3908 |
| 11 | 145494 | | DECAL.DANGER.CUTF |
| 12 | 159737 | | DECAL-BRAKE/CLUTC |
| 13 | 166959 | | DECAL.WARNING.BACKPLATE.CRD |
| 14 | 159736 | | "DECAL CHASSIS,HOT" |
| 15 | 166961 | | DECAL, OPER BAG |
| 16 | 162598 | | DECAL.DRAWBAR.LDL |
| 17 | 140837 | | DECAL BRAK PARK |
| 18 | 167328 | | DECAL.CHASSIS.HYDRO |
| 20 | 135013 | | NLA |
| 21 | 166286 | | DECAL.DECK.HEX.BELT |
| 22 | 146644 | | DECAL.INS.HD.RALL |
| | 138311 | | DECAL HANDLE LIFT |
| | 174286 | | MANUAL OPERATOR'S |
| | 174287 | | MANUAL OPERATOR'S |
| | 174288 | | MANUAL PARTS |

TRACTOR- -MODEL NO. RER145H36C

DRIVE

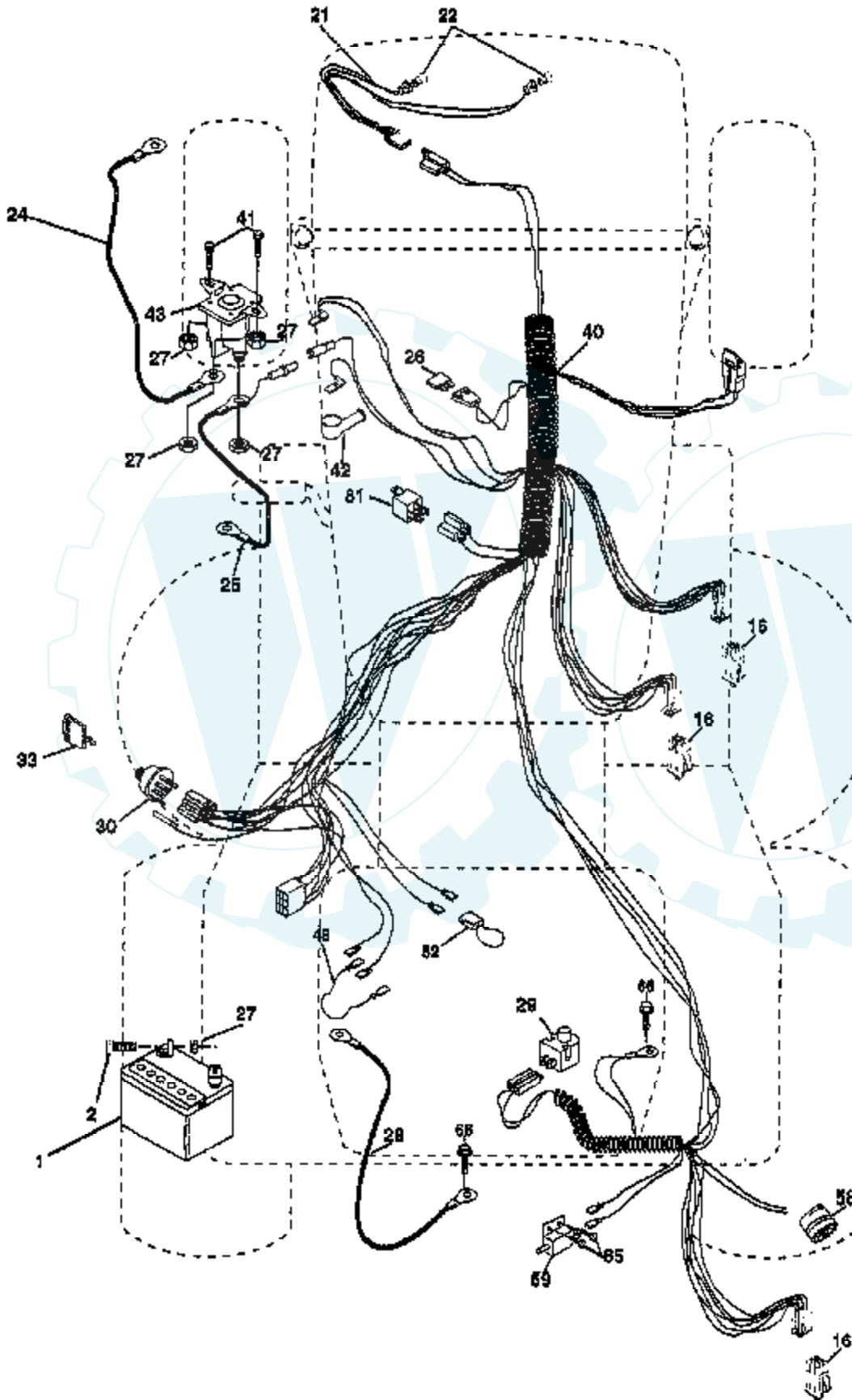


| Ref # | Part Number | Qty | Description |
|-------|-------------|-----|-----------------------------|
| 1 | SUPPLIER | | CHECK WITH SUPPLIER |
| 3 | 143995 | | PULLEY.TRANSAXLE |
| 8 | 165619 | | ROD.SHIFT.FENDER.ADJ.LT.CRD |
| 9 | 170163 | | CLUTCH ASM NORAM |
| 10 | 76020416 | | PIN COTTER 1/8 |
| 14 | 10040400 | | LOCKWASHER |
| 16 | 73800500 | | NUT |
| 18 | 74780616 | | BOLT |
| 21 | 106933X | | KNOB T (1/2-HOLE) |
| 22 | 165688 | | ROD.BRAKE.CRD |
| 23 | 170017 | | BRACKET CLUTCH |
| 24 | 73350600 | | NUT |
| 25 | 106888X | | SPRING ROD LT |
| 26 | 19131316 | | WASHER |
| 27 | 76020412 | | COTTER PIN |
| 28 | 145204 | | ROD.BRAKE.PARK.LT |
| 29 | 71673 | | PLUNGER CAP T |
| 30 | 169592 | | BRACKET MTG TRANSAXLE |
| 32 | 74760512 | | BOLT |
| 33 | 72140506 | | BOLT |
| 34 | 165496 | | SHAFT.ASM.PEDAL.FOOT.CRD |
| 35 | 120183X | | NYLON BEARING |
| 36 | 19211616 | | WASHER LT |
| 37 | 1572H | | SUB= 2882J |
| 38 | 165936 | | PULLEY.FLAT |
| 39 | 74760644 | | BOLT |
| 40 | 4470J | | SPACER T |
| 42 | 19131312 | | WASHER |
| 47 | 127783 | | SUB= 139245 |
| 48 | 154407 | | BELLCRANK.CLUTCH |
| 49 | 123205X | | RETAIN BELT |
| 50 | 74760624 | | SUB= 74930624 |
| 51 | 73680600 | | SUB= 73690600 |
| 52 | 73680500 | | SUB= 73690500 |
| 53 | 105710X | | "LINK, CLUTCH T" |
| 55 | 105709X | | "SPRING, RETURN LT" |
| 56 | 74760620 | | SUB= 74780620 |
| 57 | 165632 | | "V-BELT.KEV.112"" |
| 61 | 17060612 | | SCREW |
| 62 | 8883R | | PEDAL COVER T |
| 65 | 10040700 | | LOCKWASHER |
| 66 | 154778 | | KEEPER-BELT |
| 71 | 140158 | | STRAP TORQ LH HYD |
| 73 | 156347 | | "STRAP-TORQUE,RH" |
| 74 | 121199X | | SPACER SPLIT |
| 75 | 121749X | | WASHER |
| 76 | 12000001 | | E-RING LT |
| 77 | 123583X | | SQUARE KEY |
| 78 | 121748X | | WASHER |
| 81 | 165585 | | ASM.SHAFT |
| 82 | 123782X | | "SPRING,TORSION" |
| 83 | 19171216 | | WASHER |
| 84 | 165629 | | LINK.TRANSAXLE |
| 94 | 140462 | | "FAN 7"" HYDRO" |
| 95 | 165935 | | CNTRL.ASM.BYPASS.HYDRO |
| 96 | 4497H | | RETAINER M |
| 102 | 141322 | | WASHER BELLEVILLE |
| 103 | 73940800 | | SUB= 73360800 |

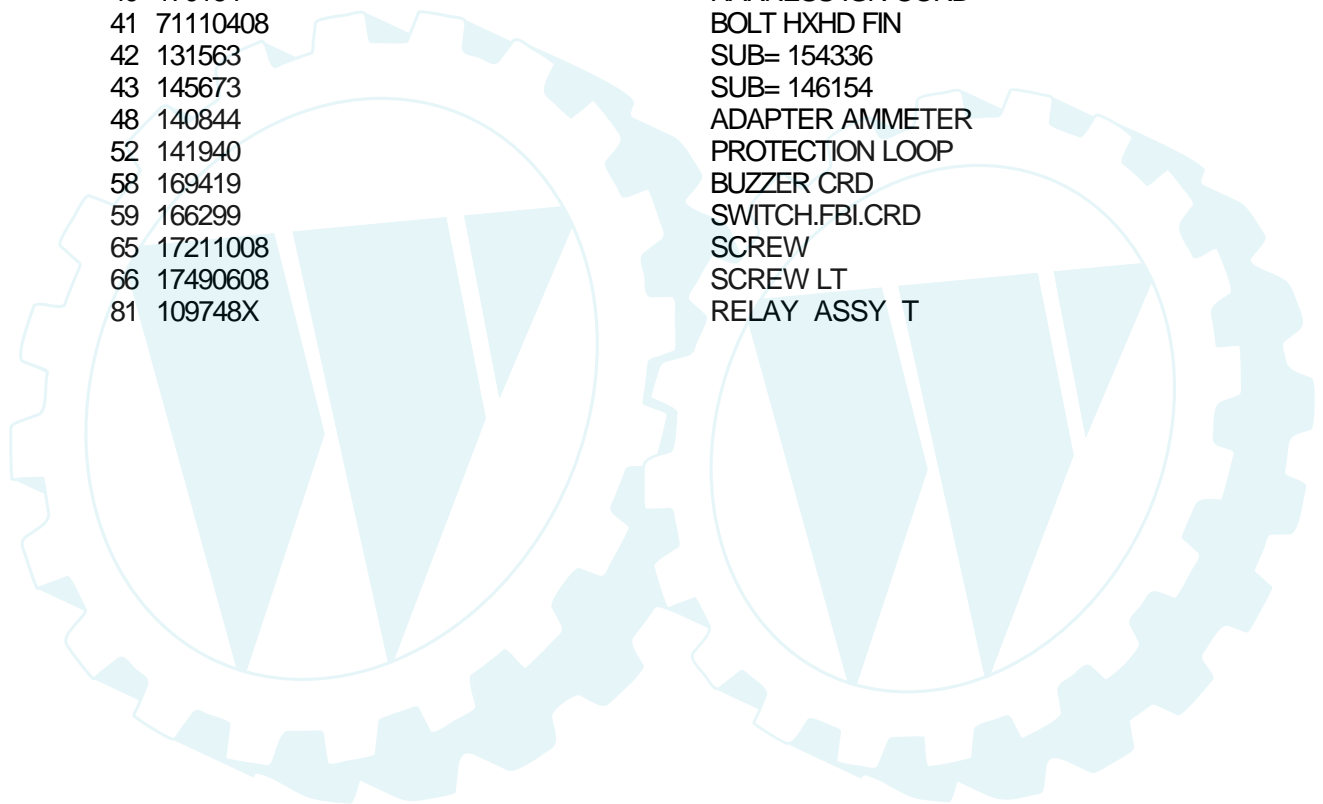
| Ref # | Part Number | Qty | Description |
|-------|-------------|-----|----------------------------|
| 104 | 140156 | | ARM CONTROL HYDRO |
| 105 | 71070516 | | SCREW CAP 5/16-18 |
| 144 | 19111016 | | WASHER |
| 145 | 74490540 | | BOLT.HEX.FLGHD |
| 146 | 74490536 | | BOLT.HEX.FLGHD. |
| 147 | 74490524 | | BOLT.HEX.FLGHD |
| 150 | 165850 | | BUSHING.BELLCRANK.GRD.DR |
| 151 | 19133210 | | WASHER |
| 153 | 74760516 | | SUB= 77394 |
| 156 | 166002 | | WASHER.SRRTD.5/16 |
| 157 | 153236 | | "BOLT,SHOULDER" |
| 158 | 165589 | | BRKT.SHIFT.MOUNT |
| 159 | 165494 | | HUB.SHIFT |
| 160 | 19292016 | | WASHER |
| 161 | 72140406 | | BOLT T |
| 162 | 73680400 | | SUB= 73690400 |
| 163 | 74780416 | | NLA |
| 164 | 19091010 | | WASHER.5/8X.281X10GA |
| 165 | 165623 | | BRKT.PIVOT.LEVER |
| 166 | 166880 | | SCREW.5/16-18X5/8 |
| 167 | 165588 | | BRKT.SUPT.SHIFT.CRD |
| 168 | 165492 | | BOLT.SHOULDER.5/16-18X.561 |
| 169 | 165580 | | PLATE.FASTENING |
| 171 | 17490608 | | SCREW LT |
| 172 | 165587 | | SHAFT.ASM.SHIFTER.FRT.CRD |
| 173 | 165934 | | BKRT.HYDRO.BYPASS.CRD |
| 174 | 10090400 | | SUB= 10040400 |
| 175 | 165931 | | SPRING.BYPASS.CRD |
| 176 | 19070816 | | WASHER |
| 177 | 165932 | | KEEPOER.FLAT.IDLER |
| 178 | 165933 | | KEEPER.BELT.IDLER |
| 179 | 120958X | | WASHER |
| 180 | 165630 | | PULLEY.FLAT.IDLER |
| 181 | 165797 | | BRKT.IDLER.GRD.DR.CRD |
| 182 | 165634 | | "KEEPER.BELT.2.5"".OD.CRD" |
| 183 | 165626 | | PULLEY.V-IDLER |
| 184 | 17490644 | | SCREW.HXWSH.3/8 |
| 185 | 165541 | | LINK.SHAFT.CRD.HYDRO |
| 186 | 165614 | | HUB.TAPERED.ROUND.CRD |
| 187 | 17490620 | | SCREW |
| 202 | 72110612 | | BOLT.3/8-16X1.50 |
| 203 | 71170780 | | BOLT HEX |

TRACTOR- -MODEL NO. RER145H36C

ELECTRICAL

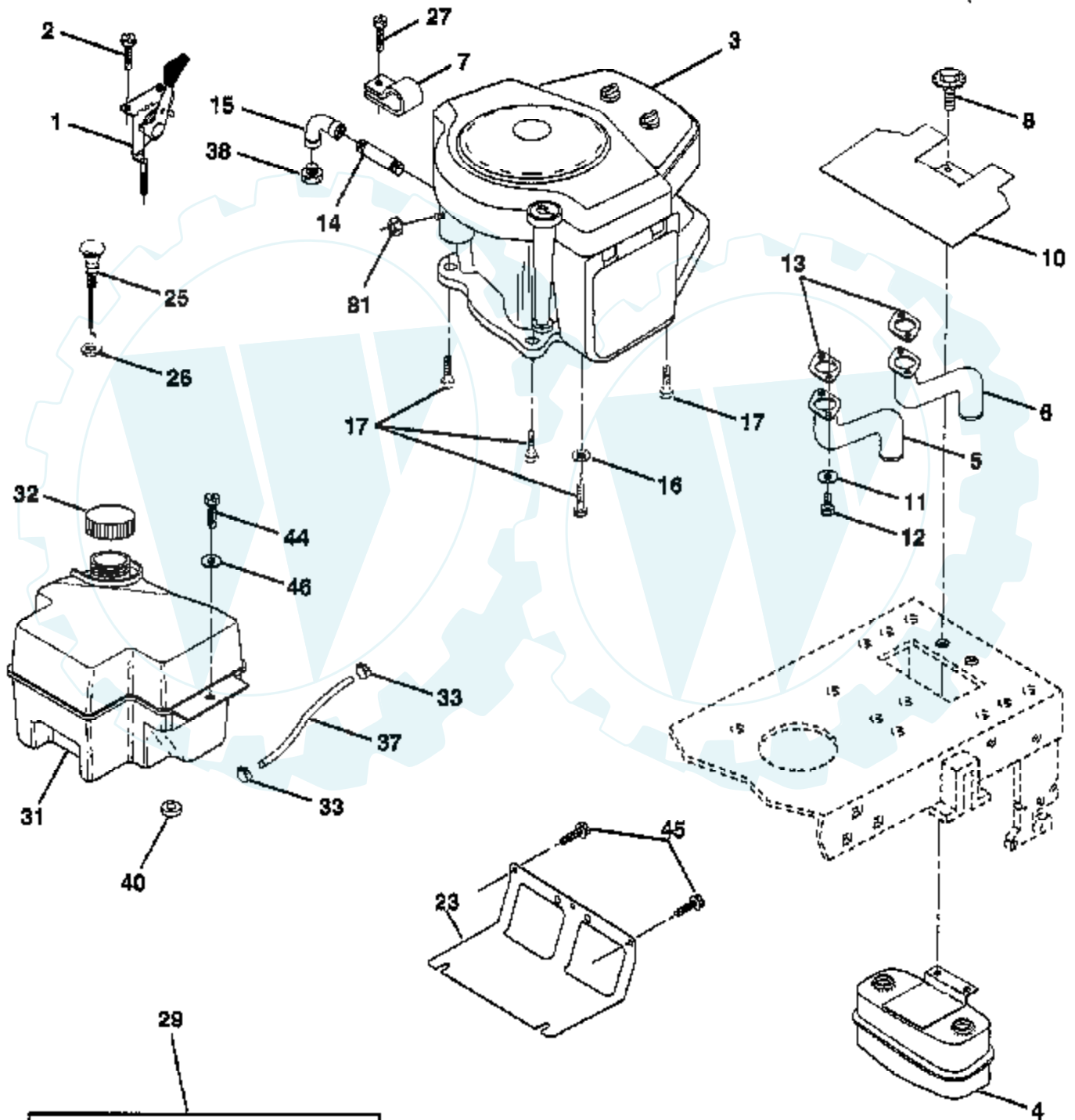


| Ref # | Part Number | Qty | Description |
|-------|-------------|-----|---------------------------|
| 1 | 144925 | | SUB= 123899X |
| 2 | 74760412 | | BOLT LT |
| 16 | 153664 | | SWITCH INTERLOCK |
| 21 | 166181 | | HARNESS.ASM.LIGHT W/4152J |
| 22 | 4152J | | HEADLAMP BULB |
| 24 | 4799J | | "CABLE T, BATTERY" |
| 25 | 165987 | | CABLE.BATTERY.CRD |
| 26 | 166180 | | FUSE.15 AMP |
| 27 | 73510400 | | NUT |
| 28 | 127725X | | "CABLE.GRD.6GA/18""BLACK" |
| 29 | 160784 | | SWITCH.PLUNGER |
| 30 | 163968 | | SWITCH.IGN. |
| 33 | 140401 | | KEY MLD GEN DELTA |
| 40 | 170164 | | HARNESS IGN CORD |
| 41 | 71110408 | | BOLT HXHD FIN |
| 42 | 131563 | | SUB= 154336 |
| 43 | 145673 | | SUB= 146154 |
| 48 | 140844 | | ADAPTER AMMETER |
| 52 | 141940 | | PROTECTION LOOP |
| 58 | 169419 | | BUZZER CRD |
| 59 | 166299 | | SWITCH.FBI.CRD |
| 65 | 17211008 | | SCREW |
| 66 | 17490608 | | SCREW LT |
| 81 | 109748X | | RELAY ASSY T |



TRACTOR- -MODEL NO. RER145H36C

ENGINE

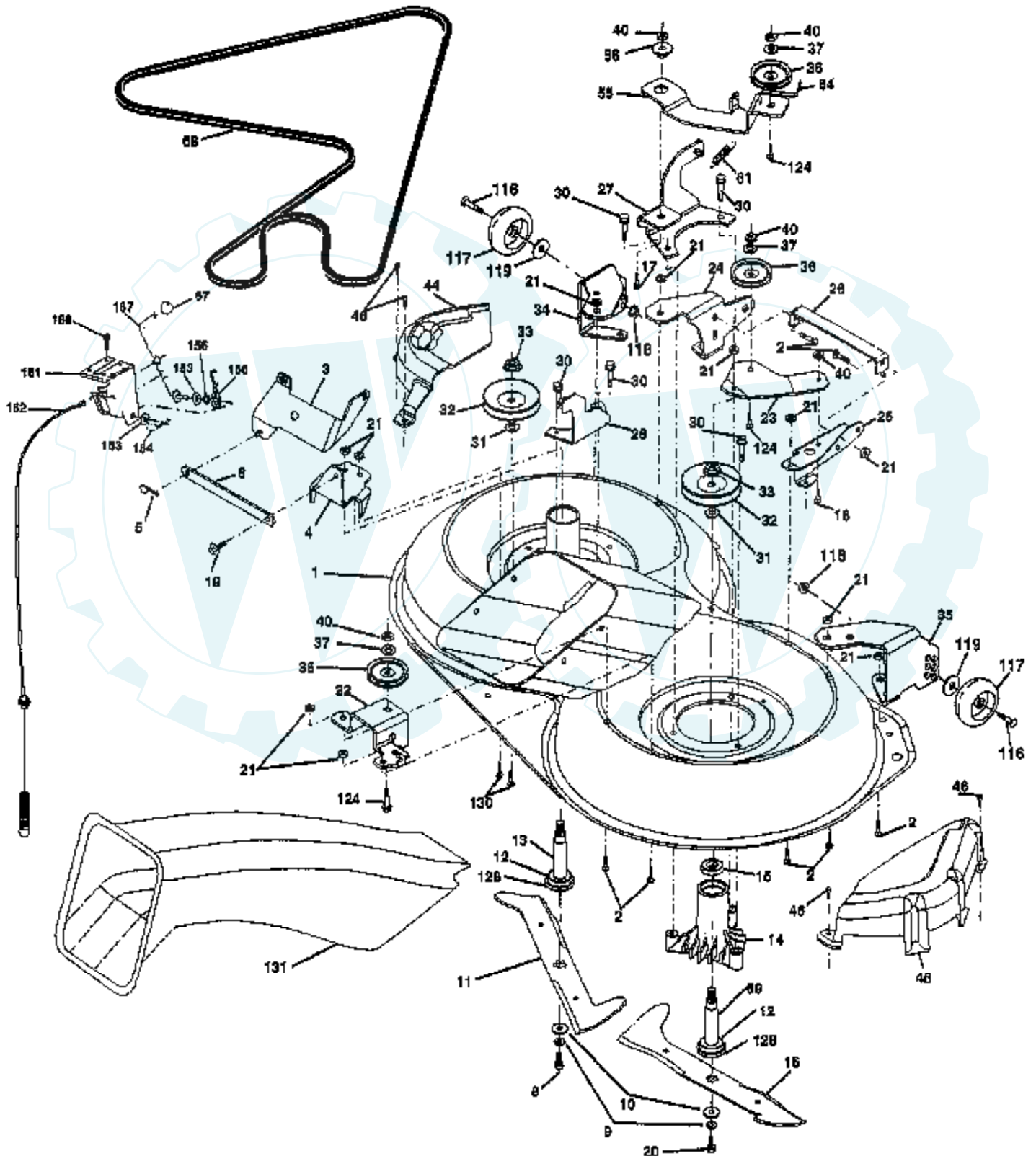


OPTIONAL EQUIPMENT
Spark Arrester

| Ref # | Part Number | Qty | Description |
|-------|-------------|-----|---------------------|
| 1 | 141295 | | CONTROL THRT 35.5 |
| 2 | 17720410 | | SCREW LT |
| 3 | SUPPLIER | | CHECK WITH SUPPLIER |
| 4 | 149723 | | MUFFLER.TW.LOTONE |
| 5 | 144069 | | EXHAUST.B&S.18.LH |
| 6 | 144068 | | EXHAUST.B&S.18.RH |
| 7 | 138129 | | CLAMP.TUBE.DBL.EN |
| 8 | 150176 | | BOLT.5/16-18.UNC |
| 10 | 145552 | | SHIELD.HEAT. |
| 11 | 10040400 | | LOCKWASHER |
| 12 | 74780412 | | SUB= 74780414 |
| 13 | 165287 | | GASKET MUFFLER |
| 14 | 13280336 | | PIPE NIPPLE LT |
| 15 | 13200300 | | ELBOW |
| 16 | 11050600 | | LOCKWASHER |
| 17 | 17490624 | | SCREW LT |
| 23 | 169837 | | SHIELD BROWNING |
| 25 | 145996 | | CONTROL.CHOKE.37 |
| 26 | 73920600 | | "NUT,KEPS 3/8-24IM" |
| 27 | 152927 | | "SCREW-TT,10-32 FL" |
| 29 | 137180 | | SUB= 532137180 |
| 31 | 161911 | | TANK.FUEL.FRONT. |
| 32 | 140527 | | CAP ASM FUEL |
| 33 | 123487X | | HOSE CLAMP |
| 37 | 137040 | | LINE FUEL |
| 38 | SUPPLIER | | CHECK WITH SUPPLIER |
| 44 | 17670412 | | SCREW |
| 45 | 17000612 | | SCREW |
| 46 | 19091416 | | WASHER |
| 81 | 73510400 | | NUT |

TRACTOR- -MODEL NO. RER145H36C

MOWER



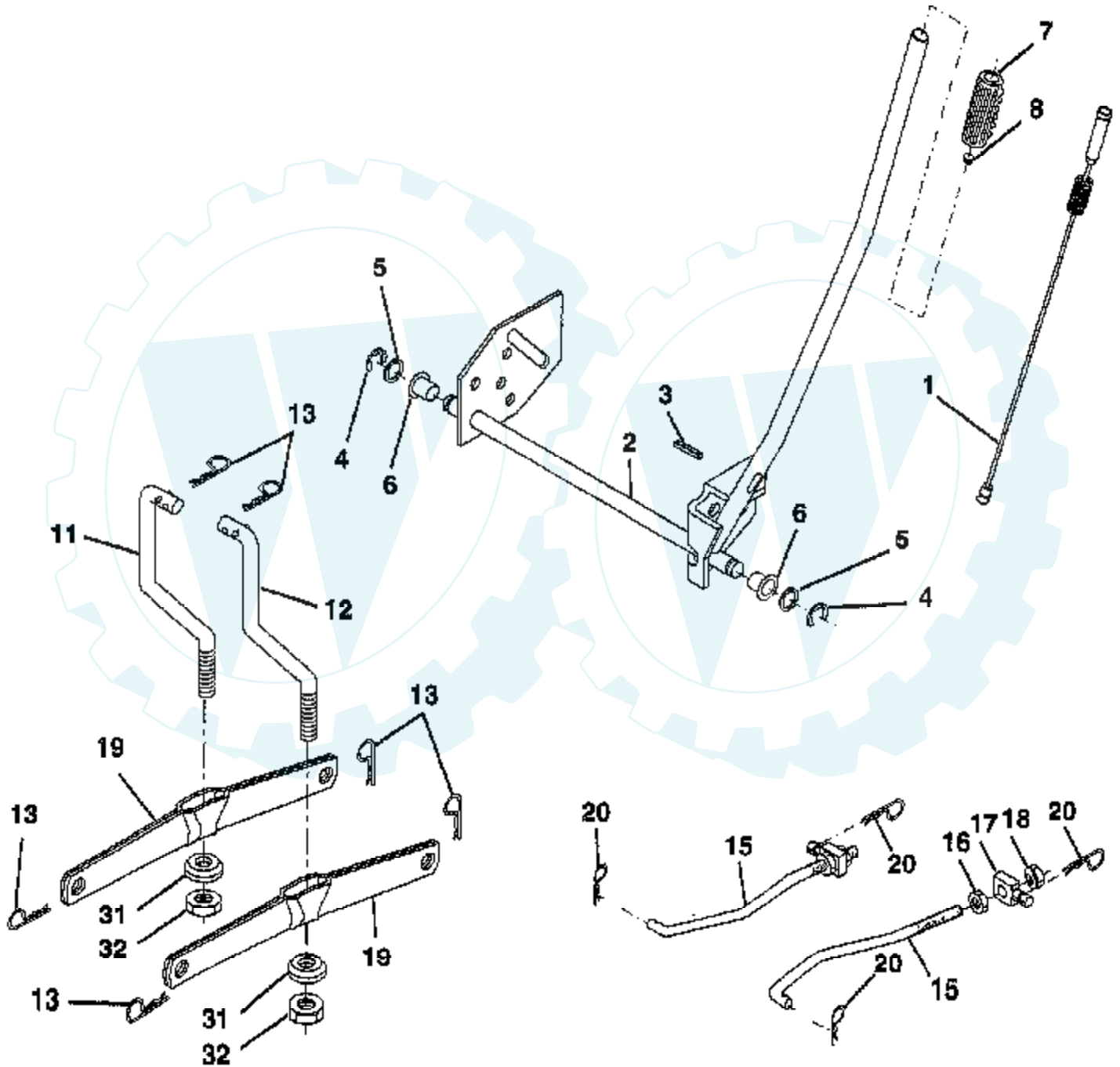
| Ref # | Part Number | Qty | Description |
|-------|-------------|-----|-----------------------------|
| 1 | 165552 | | HOUSING.ASM.MOWER |
| 2 | 72140506 | | BOLT |
| 3 | 165569 | | BRKT.ASM.S-BAR.CHASSIS |
| 4 | 165558 | | BRKT.BAR.SWAY.DECK |
| 5 | 4939M | | SUB= 85902 |
| 6 | 165557 | | BAR.SWAY.92.CRD |
| 8 | 850857 | | BLADE BOLT |
| 9 | 10030600 | | SUB= 10040600 |
| 10 | 140296 | | WASHER.HARD.BLADE |
| 11 | 170037 | | BLADE |
| 12 | 129895 | | BEARING.BALL |
| 13 | 137645 | | SUB= 137646 |
| 14 | 128774 | | HSG ASM MANDREL |
| 15 | 110485X | | BEARING |
| 16 | 170038 | | BLADE |
| 17 | 72140610 | | BOLT.3/8-14X1.25 |
| 18 | 72110608 | | BOLT D |
| 19 | 132827 | | BOLT SHD 5/16-18 |
| 20 | 165484 | | BOLT.3/8-24X1.25 |
| 21 | 73680500 | | SUB= 73690500 |
| 22 | 165243 | | BRKT.IDLER.SPRT.CRD |
| 23 | 165446 | | "BRKT.IDLER.SPRT.RF.92.CRD" |
| 24 | 165242 | | BRKT.SUSP.LF.92.CRD |
| 25 | 165244 | | BRKT.SUSP.RF.92.CRD |
| 26 | 165237 | | BRACE.SUPT.SUSP.FRT.CRD |
| 27 | 165568 | | BRKT.ASM.SUSP.RR.92.CRD |
| 28 | 165567 | | BRKT.ASM.SUSP.LR.92.CRD |
| 30 | 157722 | | "SCREW-THD ROLL,WA" |
| 31 | 129963 | | WASHER |
| 32 | 153531 | | PULLEY.MAND.36/46 |
| 33 | 137266 | | SUB= 139729 |
| 34 | 165239 | | BRKT.GUAGE.WHL.LF.92.CRD |
| 35 | 165238 | | BRKT.GUAGE.WHL.RF.92.CRD |
| 36 | 146763 | | PULLEY.IDLER.4.25 |
| 37 | 19131316 | | WASHER |
| 40 | 73680600 | | SUB= 73690600 |
| 44 | 165724 | | COVER.MANDREL.LH.92.CRD |
| 45 | 165556 | | COVER.MANDREL.RH.92.CRD |
| 46 | 137729 | | SCREW.1/4-20X5/8 |
| 55 | 165445 | | ARM.IDLER.92.CRD |
| 56 | 165723 | | SPACER.RETAINER.MOWER |
| 61 | 165945 | | SPRING.TENSION.BELT |
| 67 | 106932X | | KNOB T(3/8 HOLE) |
| 68 | 165555 | | HEX-BELT.92.MWR.105AA |
| 69 | 165482 | | SHAFT.ASM.W/LWR.BRG.RH.THD |
| 84 | 156085 | | "KEEPER-BELT,IDLER" |
| 116 | 137644 | | BOLT.SHOULDER |
| 117 | 133957 | | WHEEL GAGE DONUT |
| 118 | 73930600 | | LOCKNUT |
| 119 | 19121414 | | WASHER |
| 124 | 72110612 | | BOLT.3/8-16X1.50 |
| 128 | 153390 | | WASHER.FELT. |
| 130 | 72110506 | | SUB= 72270506 |
| 131 | 165661 | | CHUTE.BAGGER.CRD |
| 151 | 169670 | | BRKT CLUTCH CABLE |
| 152 | 170300 | | CABLE CLUTCH CRD SERVICE |
| 153 | 169674 | | WASHER FLAT |
| 154 | 169675 | | SPRING RETAINER |

| Ref # | Part Number | Qty | Description |
|-------|-------------|-----|---------------------------------|
| 155 | 169671 | | SPRING RETENTION LVR CLUTCH CAB |
| 156 | 169672 | | SPACER |
| 157 | 169669 | | ROD.CLUTCH.CABLE.3/8 |
| 158 | 17720410 | | SCREW LT |
| | 130794 | | MANDREL ASM |
| | 165579 | | MANDREL.ASM.CRD.LH.THREADS |
| | 173549 | | COMPLETE DECK MOWER |

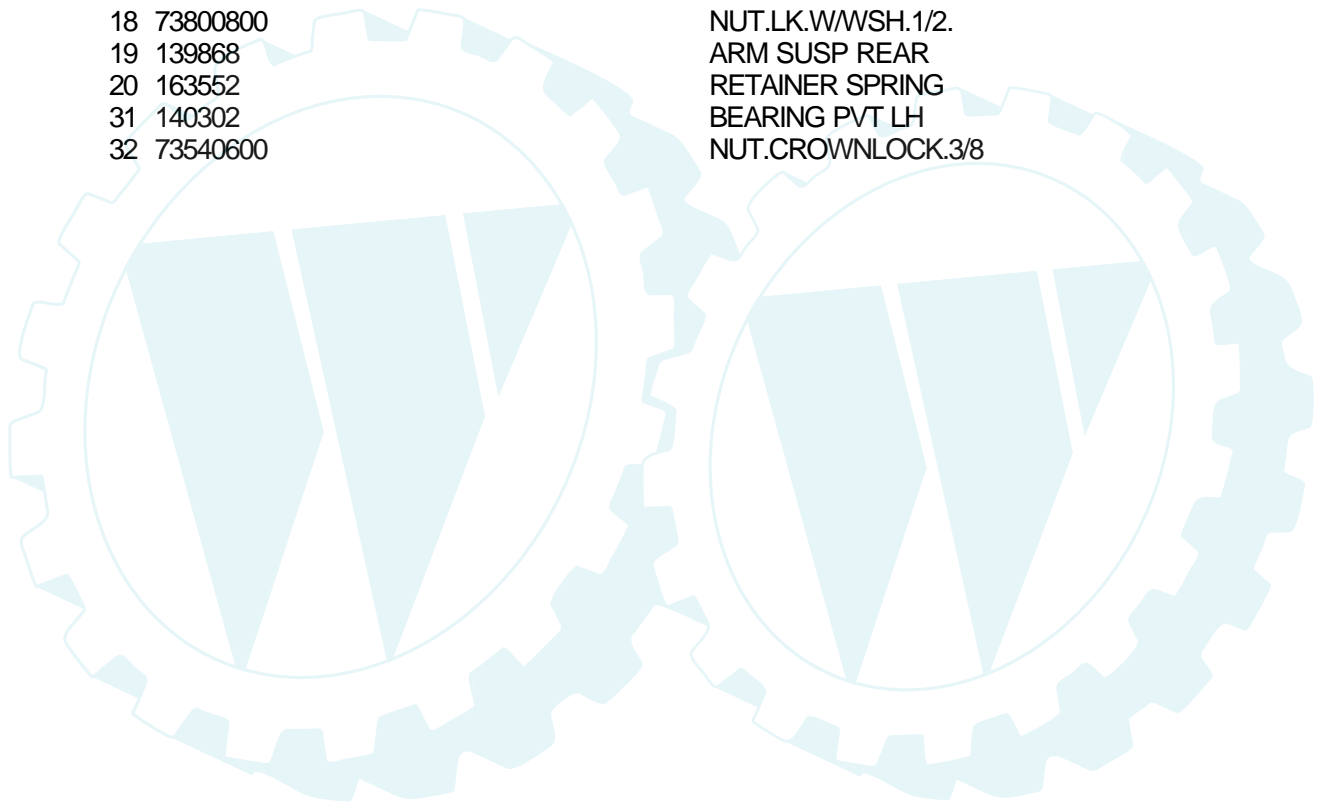


TRACTOR- -MODEL NO. RER145H36C

MOWER LIFT

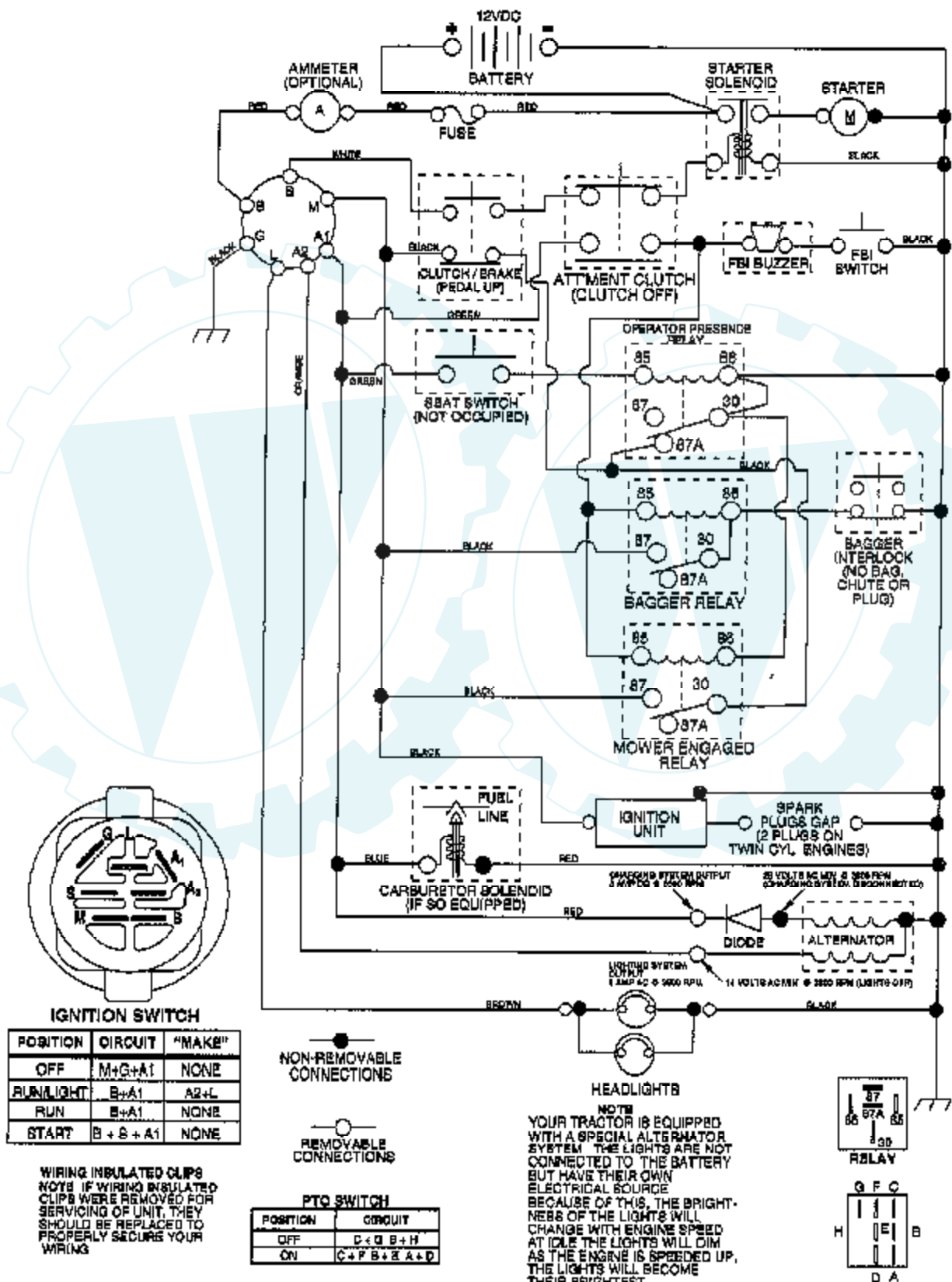


| Ref # | Part Number | Qty | Description |
|-------|-------------|-----|---------------------|
| 1 | 159460 | | WIRE ASM W.SPRING |
| 2 | 159471 | | "SHAFT ASM LIFT,RH" |
| 3 | 105767X | | PIN-GROOVE LT |
| 4 | 12000002 | | SUB= 2225J |
| 5 | 19211621 | | WASHER |
| 6 | 120183X | | NYLON BEARING |
| 7 | 109413X | | GRIP |
| 8 | 124526X | | SUB= 125925X |
| 11 | 165829 | | LINK.LIFT.LH.CRD |
| 12 | 165831 | | LINK.LIFT.RH.CRD |
| 13 | 4939M | | SUB= 85902 |
| 15 | 173288 | | LINK, FRONT |
| 16 | 73350800 | | NUT |
| 17 | 130171 | | TRUNION |
| 18 | 73800800 | | NUT.LK.W/WSH.1/2. |
| 19 | 139868 | | ARM SUSP REAR |
| 20 | 163552 | | RETAINER SPRING |
| 31 | 140302 | | BEARING PVT LH |
| 32 | 73540600 | | NUT.CROWNLOCK.3/8 |



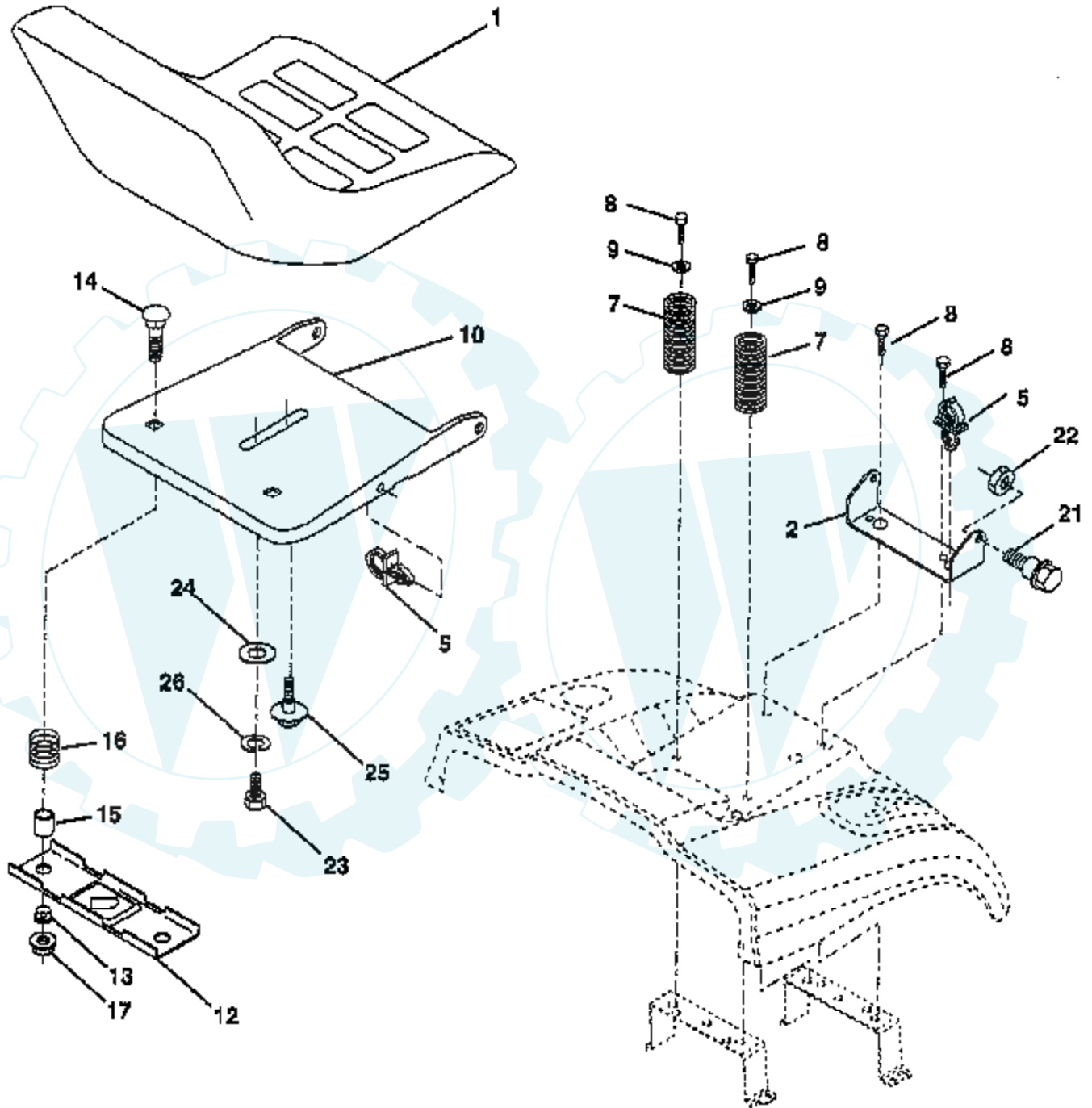
TRACTOR- -MODEL NO. RER145H36C

SCHEMATIC



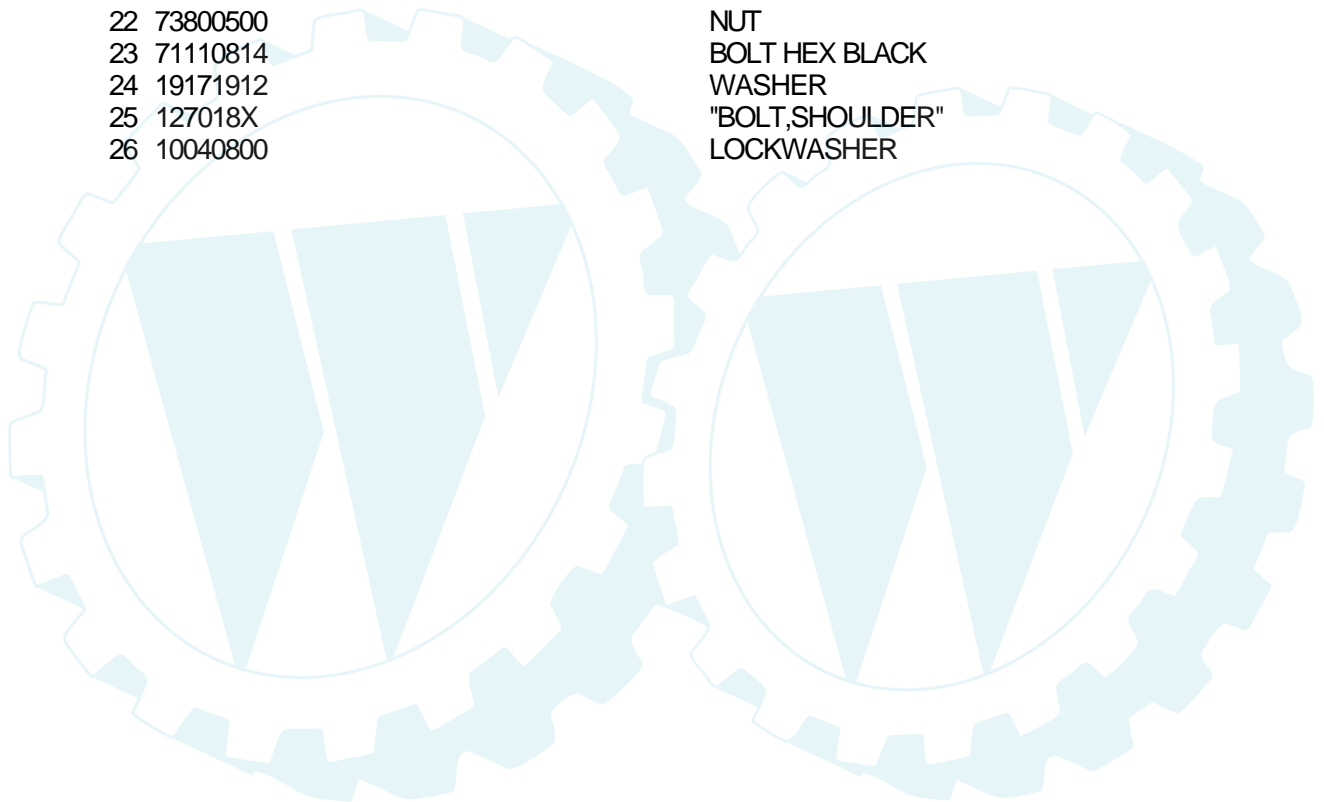
TRACTOR- -MODEL NO. RER145H36C

SEAT ASSEMBLY



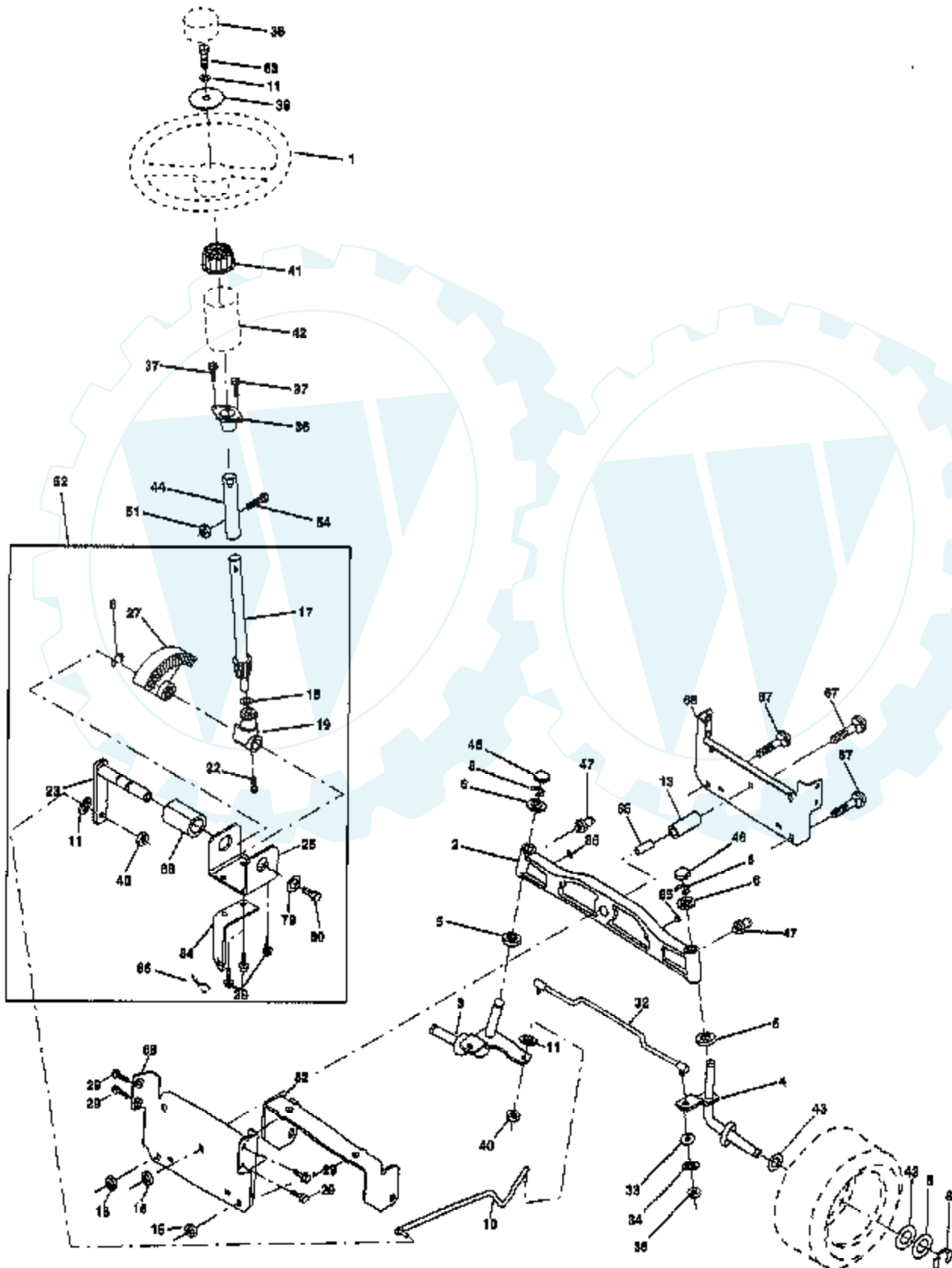
NOTE: All component dimensions given in U.S. Inches.
1 inch = 25.4 mm

| Ref # | Part Number | Qty | Description |
|-------|-------------|-----|-------------------|
| 1 | 127428 | | SUB= 140119 |
| 2 | 140551 | | BRACKET PVT SEAT |
| 5 | 145006 | | CLIP.PUSH-IN.HING |
| 7 | 124181X | | SPRING COMPRESSIO |
| 8 | 17000616 | | SCREW |
| 9 | 19131614 | | WASHER |
| 10 | 155925 | | PAN-SEAT |
| 12 | 121246X | | BRKT SWITCH |
| 13 | 121248X | | BUSHING |
| 14 | 72050412 | | BOLT-RD HD SQ NK |
| 15 | 134300 | | SPLIT SPACER |
| 16 | 121250X | | SPRING |
| 17 | 123976X | | SUB= 73900400 |
| 21 | 171852 | | BOLT |
| 22 | 73800500 | | NUT |
| 23 | 71110814 | | BOLT HEX BLACK |
| 24 | 19171912 | | WASHER |
| 25 | 127018X | | "BOLT,SHOULDER" |
| 26 | 10040800 | | LOCKWASHER |



TRACTOR- -MODEL NO. RER145H36C

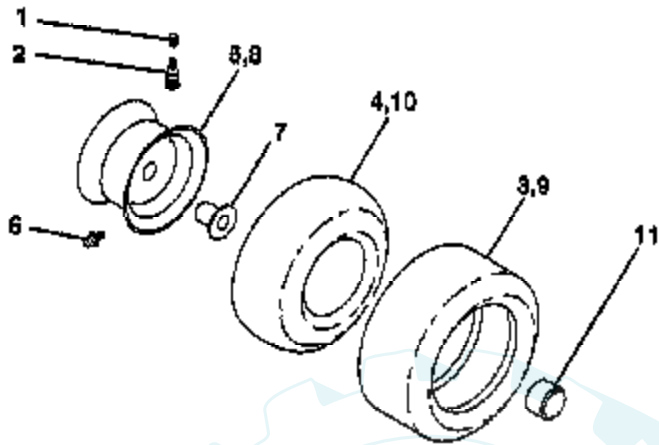
STEERING ASSEMBLY



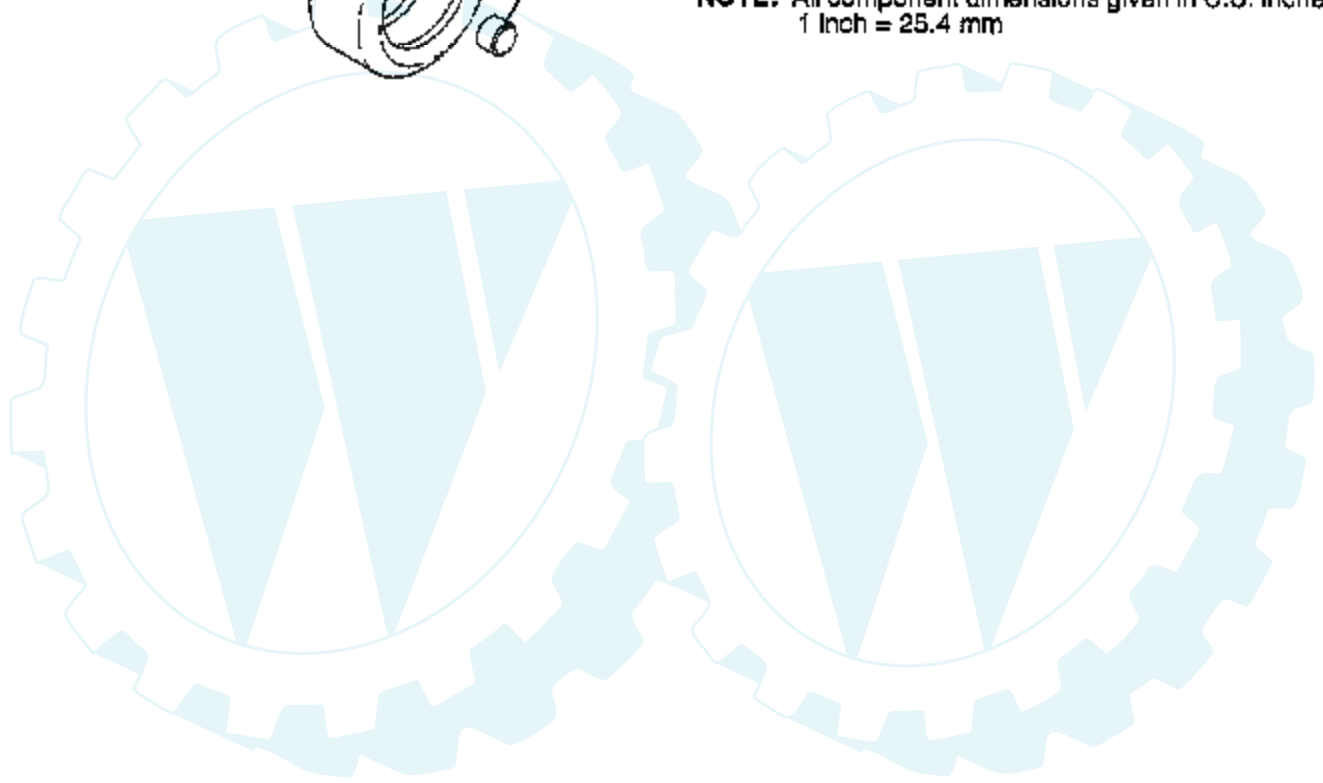
| Ref # | Part Number | Qty | Description |
|-------|-------------|-----|------------------------------|
| 1 | 133741 | | SUB= 150547 |
| 2 | 165854 | | AXLE ASSY |
| 3 | 169840 | | SPINDLE ASM |
| 4 | 169839 | | SPINDLE ASM |
| 5 | 6266H | | WASHER .T |
| 6 | 121748X | | WASHER |
| 8 | 12000029 | | RING |
| 10 | 169832 | | LINK DRAG |
| 11 | 10040600 | | LOCKWASHER |
| 13 | 136518 | | SPACER BEARING |
| 15 | 145212 | | NUT.HXFLG.LOCK. |
| 17 | 156546 | | SHAFT ASM STEERIN |
| 18 | 57079 | | THRUST WASHER |
| 19 | 160395 | | SUPPORT.SHAFT.STEER |
| 22 | 165857 | | SCREW.HX.WSH.HD |
| 23 | 165851 | | SHAFT.ASM.PITMAN |
| 25 | 154406 | | BRKT-STEERING |
| 27 | 136874 | | GEAR SECTOR |
| 29 | 17060612 | | SCREW |
| 32 | 170162 | | TIE ROD |
| 33 | 19111216 | | WASHER M |
| 34 | 10040500 | | LOCKWASHER |
| 35 | 73810500 | | NUT.LOCK.5/16-24 |
| 36 | 155099 | | BUSHING.STEERING |
| 37 | 152927 | | "SCREW-TT,10-32 FL" |
| 38 | 133742 | | ST WHL INSERT CAP |
| 39 | 19133812 | | WASHER |
| 40 | 7810H | | GRIPCO NUT |
| 41 | 100711L | | ADAPTER LT |
| 42 | 145054X428 | | BOOT.STEERING.DASH.P/L |
| 43 | 121749X | | WASHER |
| 44 | 153720 | | EXT SHAFT STEERIN |
| 46 | 121232X | | CAP |
| 47 | 6855M | | ZERK M |
| 51 | 73800500 | | NUT |
| 54 | 74780520 | | BOLT |
| 62 | 167902 | | KIT.STEER.ASM |
| 63 | 74780616 | | BOLT |
| 65 | 160367 | | "SPACER BRCAE,AXLE" |
| 66 | 154404 | | "BEARING-ARM,PITMA" |
| 67 | 72140618 | | BOLT RDHD 3/8-16 |
| 68 | 169827 | | BRACE AXLE |
| 79 | 19132012 | | WASHER |
| 80 | 74950612 | | BOLT.HX.NYLON3/8-16X3/ |
| 82 | 169835 | | BRKT SUSP CHASSIS FRT |
| 84 | 170016 | | BRACKET CABLE CLUTCH CHASSIS |
| 85 | 133835 | | XMAS TREE FASTNER |
| 86 | 165898 | | RETAINER SPRING |

WHEELS & TIRES

TRACTOR- -MODEL NO. RER145H36C



NOTE: All component dimensions given in U.S. inches
1 inch = 25.4 mm



| Ref # | Part Number | Qty | Description |
|-------|-------------|-----|--------------------------|
| 1 | 59192 | | VALVE CAP |
| 2 | 65139 | | VALVE STEM LT |
| 3 | 106222X | | SUB= 122073X |
| 4 | 59904 | | TUBE.5.3/4.5/6 |
| 5 | 106732X427 | | "RIM ASM 6"" FRT" |
| 6 | 278H | | FITTING LT |
| 7 | 9040H | | "FLANGE, BEARING" |
| 8 | 106108X427 | | "RIM AS 8"" REAR" |
| 9 | 138468 | | TIRE.20X8-8 |
| 10 | 7152J | | TUBE.18X9.5-8 |
| 11 | 104757X | | HUB CAP |
| | 144334 | | SEALANT.TIRE 10 OZ. TUBE |

