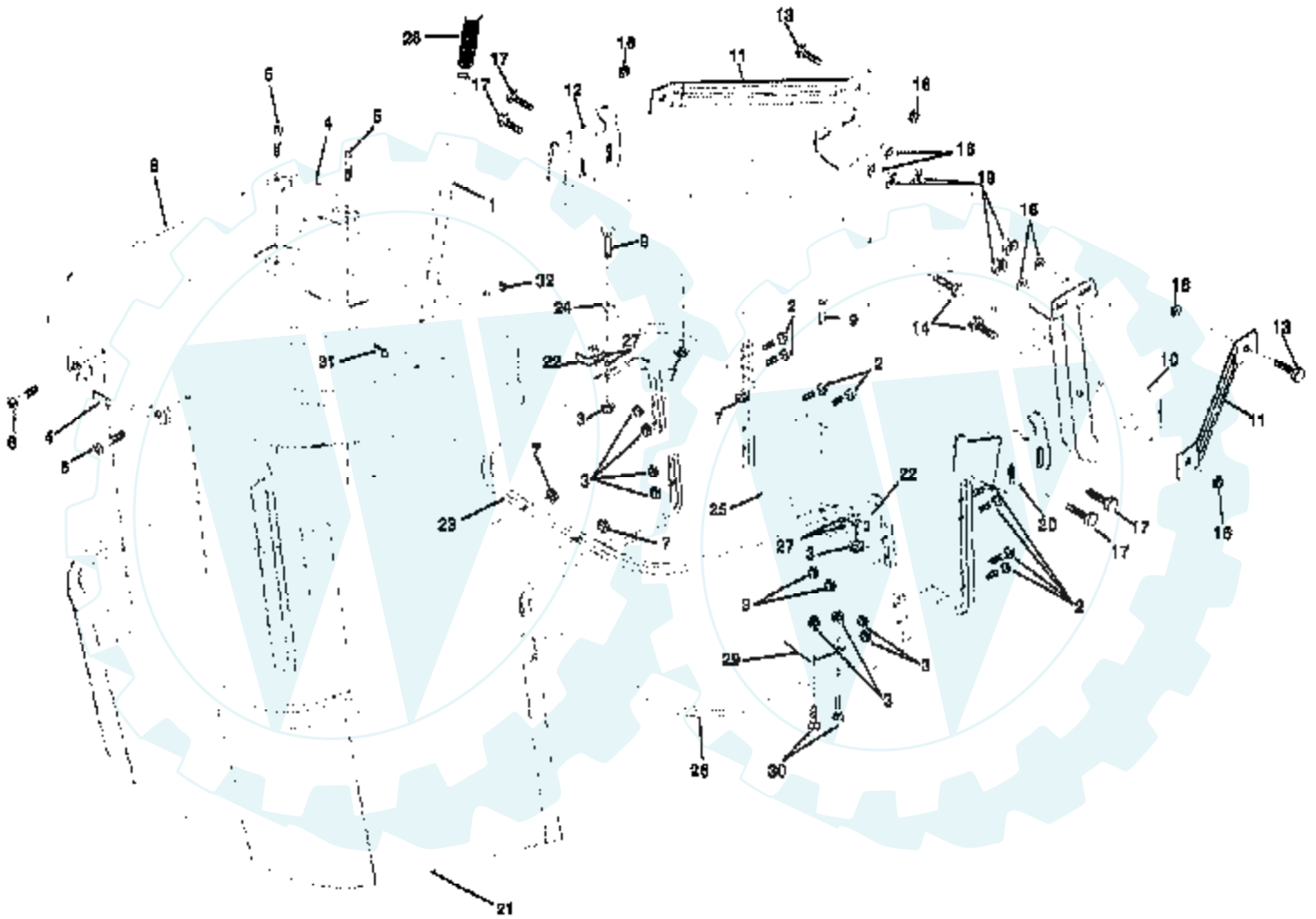


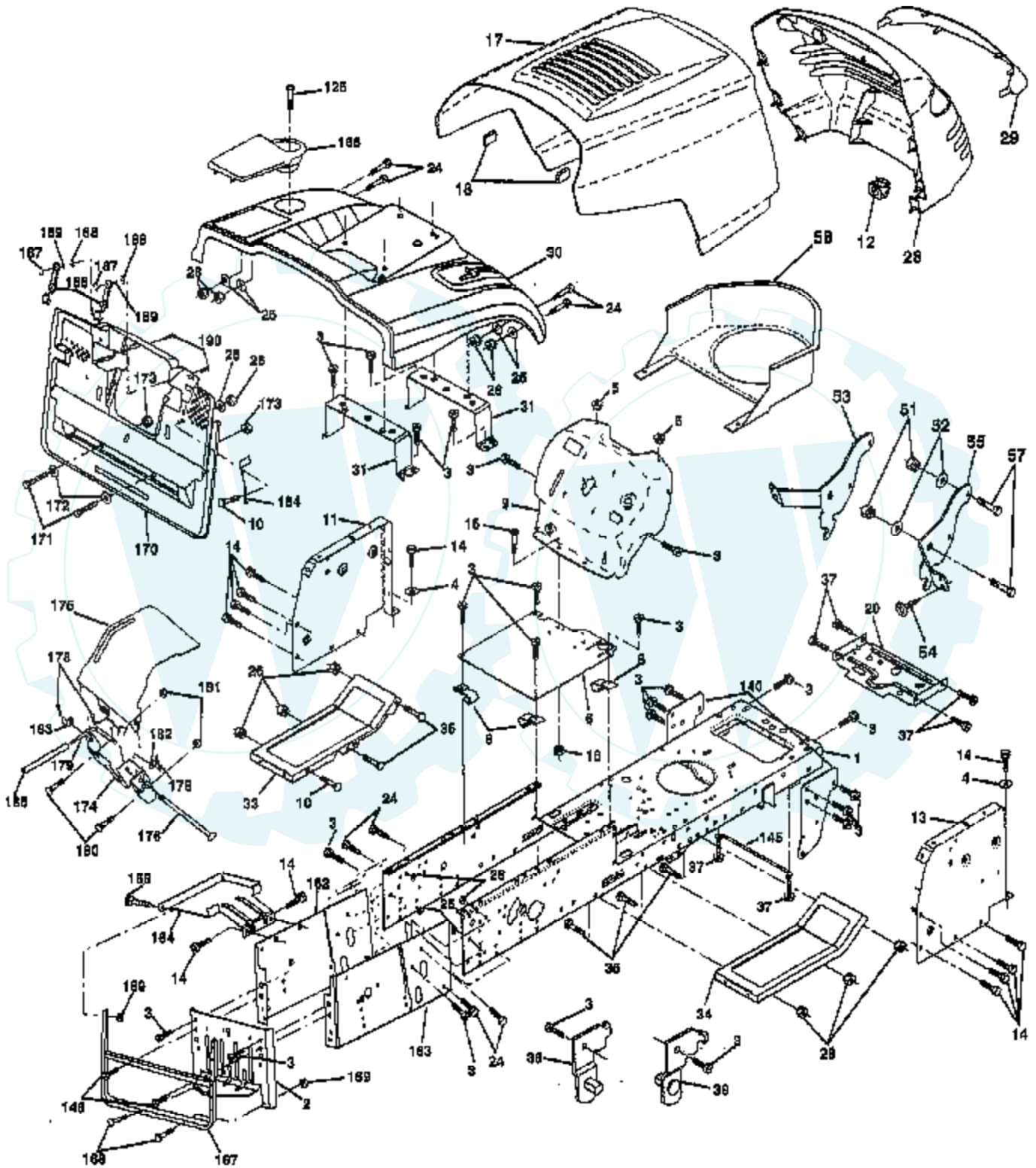
# TRACTOR--MODEL NO. RER145H36A

## BAGGER



Ref #	Part Number	Qty	Description
1	165249		TUBE.HDLE.BAG.CRD
2	72140416		BOLT.CARRIAGE.1/4-20X2.0
3	123976X		SUB= 73900400
4	165693		HANDLE.GRAB.BLACK.
5	74981024		"SCREW,PAN.HEAD"
6	74981032		SCREW
7	59931		NUT LOCK
8	165715X505		COVER.BAG.CRD
9	72140418		BOLT CARRIAGE
10	165716		SUPT.ASM.WLDMNT.BAG.CRD
11	165719		BRKT.SUPT.UPPER.BAG.CRD
12	165735		BRKT.PIVOT.BAG.LH.CRD
13	72110606		BOLT
14	74520640		BOLT.HEX.3/8-16X2-1/2
16	73900600		SUB= 83923
17	72140506		BOLT
18	19112016		WASHER
19	73800500		NUT
20	165736		"BRKT.PIVOT.BAG,RH.CRD"
21	165780		BAG.ASM.CRD
22	165781		BRKT.SIDE.BAG.CRD
23	165782		TUBE.UPPER.BAG.CRD
24	165783		TUBE.PIVOT.BAG.CRD
25	165784		TUBE.FT.BAG.CRD
26	165785		TUBE.LOWER.BAG.CRD.
27	165786		GROMMET.EXTRUDED
28	165787		GRIP.HANDLE.BLACK
29	165839		PLATE.STOP.BAG.HDLE.CRD
30	72140410		BOLT.CARRIAGE
31	4497H		RETAINER M
32	126875X		RIVET.DRILL.1.75

### TRACTOR- -MODEL NO. RER145H36A CHASSIS AND ENCLOSURES



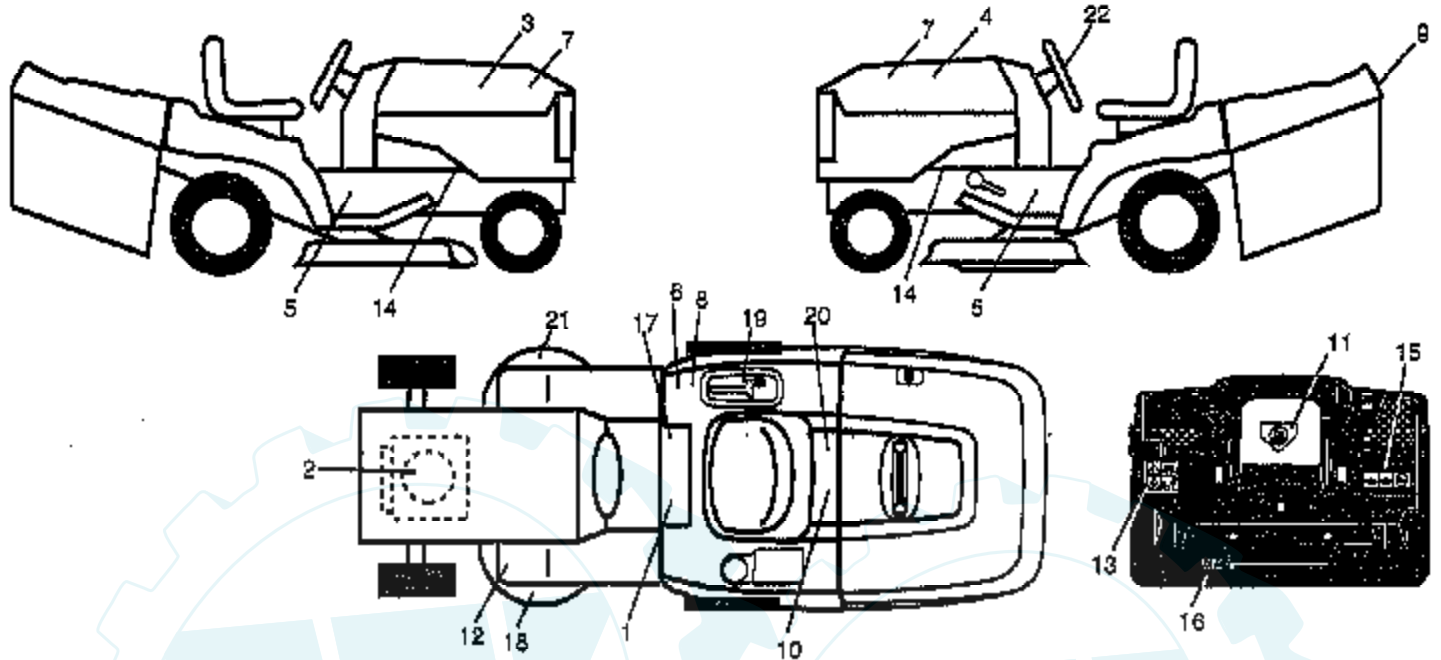
Ref #	Part Number	Qty	Description
1	165480		CHASSIS.STAMPING
2	165606		DRAWBAR.CRD
3	17490612		SCREW
4	19131216		WASHER
5	155272		BUMPER-HOOD/DASH
6	155923		SADDLE
8	126471X		"CLIP,INSULATOR"
9	147631X011		DASH.SILKSCREEN
10	72140608		SUB= 72110608
11	155927		"PANEL-DASH,LH"
12	145660		CLIP.TINNERMAN
13	155934X010		SUB= 169117X010
14	17490608		SCREW LT
15	74180512		SCREW
16	73510500		NUT
17	159639X505		HOOD.STEEL.ASSY
18	126938X		SUB= 532126938
20	156437		"PLATE-MTG,BATT/FU"
24	74780616		BOLT
25	19131312		WASHER
26	73800600		NUT
28	157373		GRILLE-MS428
29	140273X599		LENS.GRILLE.PRIVATE LABEL
30	165713X505		FENDER.AUTO
31	165156		BRKT.SUPT.FENDER.CRD
33	105476X505		FOOTREST LH
34	105475X505		FOOTREST RH
35	72110606		BOLT
37	17490508		SCREW LT
38	139886		BRACKET ASM LH
39	139887		BRACKET ASM RH
51	73800400		NUT
52	19091416		WASHER
53	144697		BRACKET.GRILLE.LH
54	161464		SCREW.HEX.WS.HD
55	144696		BRACKET.GRILLE.RH
57	74780412		SUB= 74780414
58	150127		AIR DUCT
125	74180412		SCREW
140	158418		BRKT SUSPENSION
145	156524		"ROD POVOT,CHASSIS"
148	17490620		SCREW
162	165672		BRKT.EXT.CHASSIS.LH.CRD
163	165673		BRKT.EXT.CHASSIS.RH.CRD
164	165605		SUPPORT.BATTERY.CRD
165	165742X428		COVER.BATTERY.CRD.BLACK.LT
167	165779		SUPT.ASM.BACKPLATE
168	72050412		BOLT-RD HD SQ NK
169	123976X		SUB= 73900400
170	165607		COVER.BACKPLATE.BLACK
171	74520640		BOLT.HEX.3/8-16X2-1/2
172	19132016		SUB= 19132012
173	73510600		NUT
174	165939		BRKT.SWITCH.FBI.CRD
175	166212		GRUARD.DOOR.REAR.CRD
176	128600		HINGE PIN
177	132796		SPRING COVER LH
178	76020312		SUB= 3145

Ref #	Part Number	Qty	Description
179	165942		ROD.PIVOT.FBI.CRD
180	74760516		SUB= 77394
181	73680500		SUB= 73690500
182	138200		WASHER.385X.625
183	19131316		WASHER
184	166139		BRKT.ACTUATOR.BAG.CRD
185	165940		TUBE.LEVER.SWCH.FBI.CRD
186	160793		LATCH ASSY.BAGGER
187	2029J		WELDNUT
188	19061216		WASHER #10
189	10071000		LOCKWASHER
190	71161010		SCREW
	5479J		PLUG BUTTON T



### TRACTOR- -MODEL NO. RER145H36A

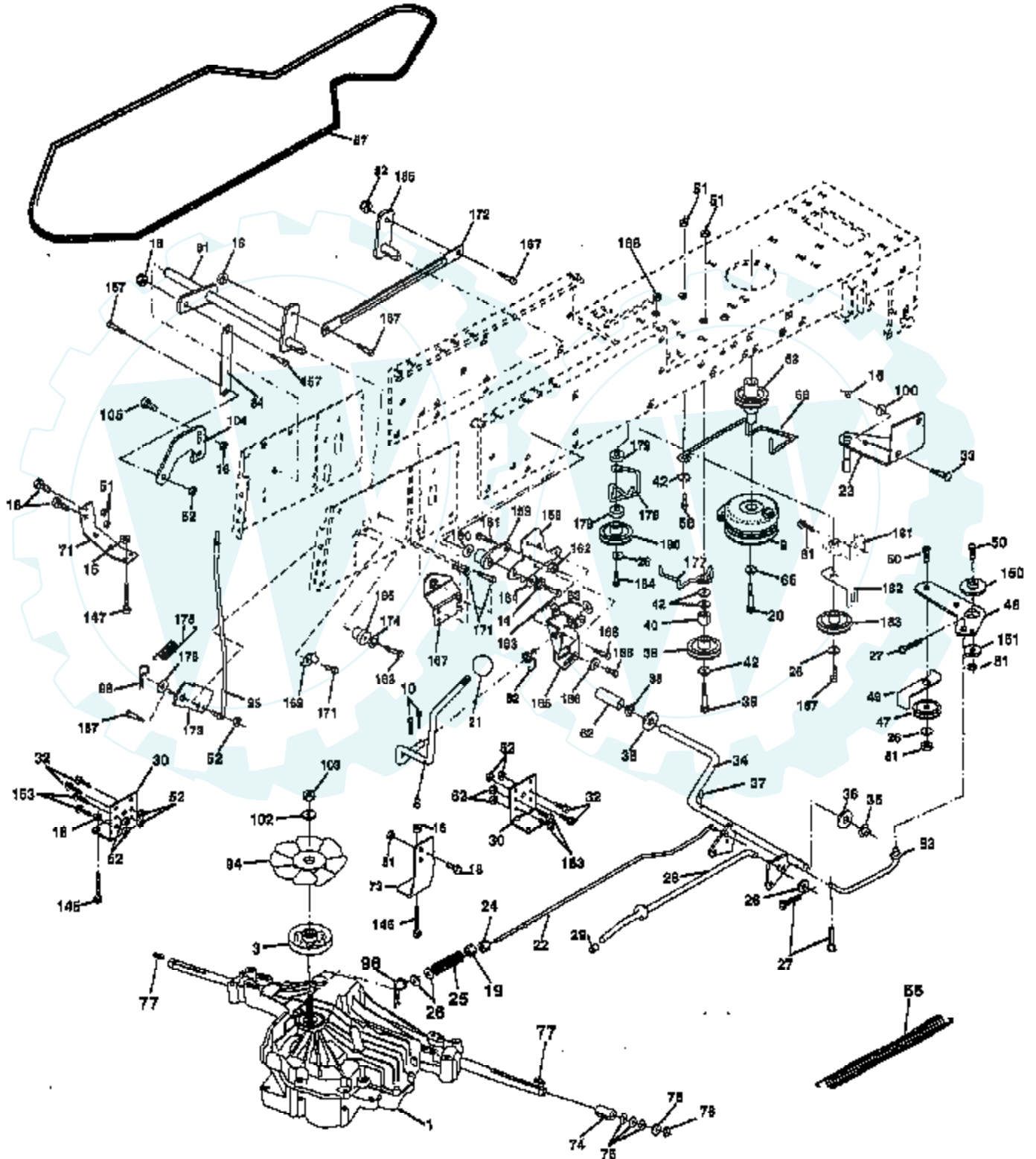
#### DECALS



Ref #	Part Number	Qty	Description
1	145498		DECAL.READ.O.MANU
2	165352		DECAL.ENGINE
3	153266		DECAL HOOD RH
4	153267		DECAL HOOD LH
5	167328		DECAL.CHASSIS.HYDRO
6	126187X		SUB= 532126187
7	146644		DECAL.INS.HD.RALL
8	145437		DECAL.EURO.ST.CE.
9	132628		FENDER DECAL
10	145005		DECAL.BATRY.3-3908
11	145494		DECAL.DANGER.CUTF
12	159737		DECAL-BRAKE/CLUTC
13	166959		DECAL.WARNING.BACKPLATE.CRD
14	159736		"DECAL CHASSIS,HOT"
15	166961		DECAL, OPER BAG
16	162598		DECAL.DRAWBAR.LDL
17	140837		DECAL BRAK PARK
18	135013		NLA
19	166962		DECAL.BYPASS.FENDER.CRD.
20	166960		DECAL.BYPASS.FENDER.CRD.LT.YT
21	166286		DECAL.DECK.HEX.BELT
22	127075		"DECAL,STR WHL"
	138311		DECAL HANDLE LIFT
	167478		MANUAL.OPER.EURO
	167479		MANUAL.OPER.SCAND
	167480		MANUAL.P.RER1454H36A

### TRACTOR- -MODEL NO. RER145H36A

#### DRIVE



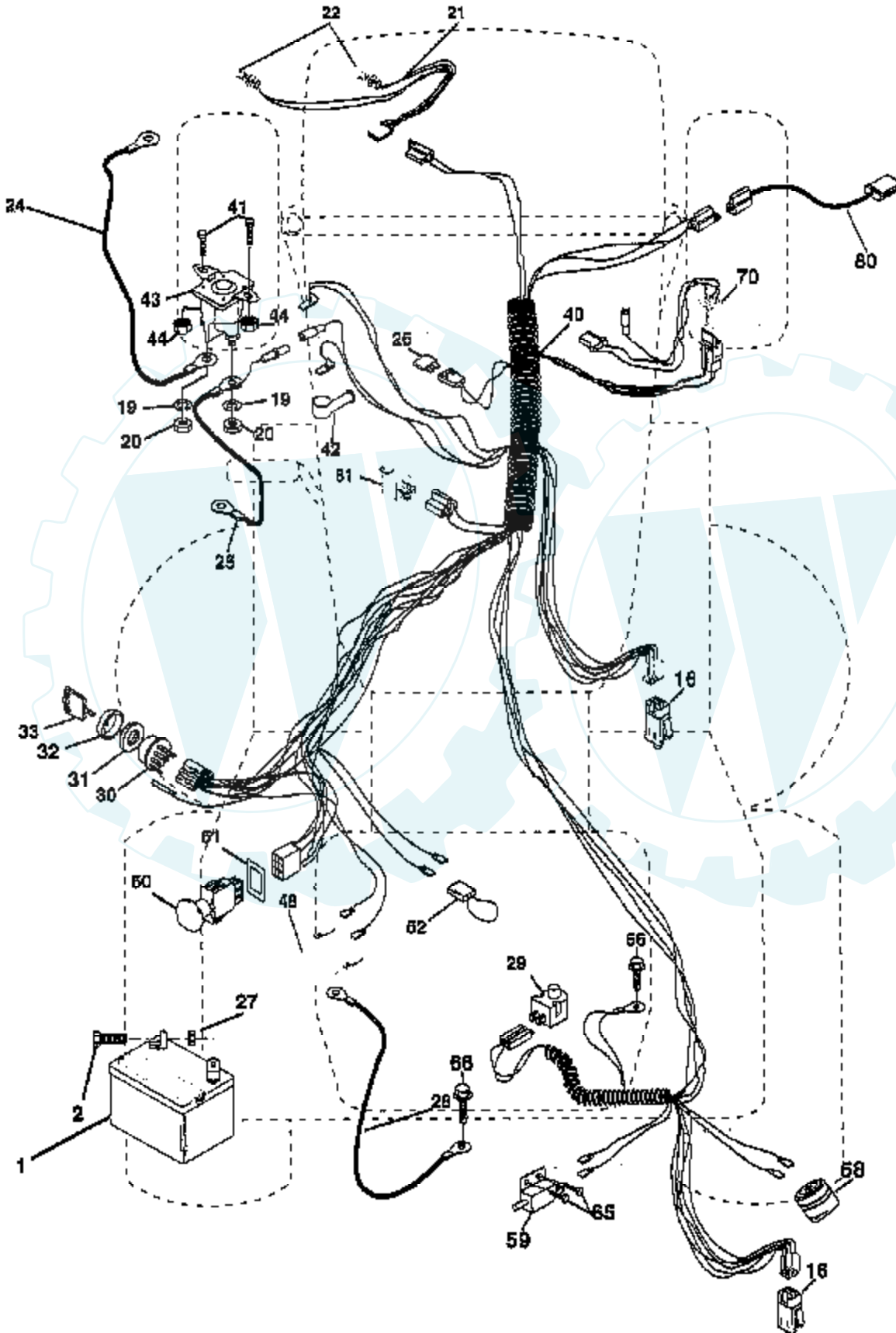


Ref #	Part Number	Qty	Description
1	SUPPLIER		CHECK WITH SUPPLIER
3	143995		PULLEY.TRANSAXLE
8	165619		ROD.SHIFT.FENDER.ADJ.LT.CRD
9	167162		CLUTCH.ELEC.EVX
10	76020416		PIN COTTER 1/8
14	10040400		LOCKWASHER
16	73800500		NUT
18	74780616		BOLT
19	73800600		NUT
20	150280		BOLT.7/16-20X4.25
21	106933X		KNOB T (1/2-HOLE)
22	165688		ROD.BRAKE.CRD
23	154978		BRACKET.CLUT.MTG.
24	73350600		NUT
25	106888X		SPRING ROD LT
26	19131316		WASHER
27	76020412		COTTER PIN
28	145204		ROD.BRAKE.PARK.LT
29	71673		PLUNGER CAP T
30	130807		TRANSAXLE MTG BKT
32	74760512		BOLT
33	72140506		BOLT
34	165496		SHAFT.ASM.PEDAL.FOOT.CRD
35	120183X		NYLON BEARING
36	19211616		WASHER LT
37	1572H		SUB= 2882J
38	165630		PULLEY.FLAT.IDLER
39	74760644		BOLT
40	4470J		SPACER T
42	19131312		WASHER
47	127783		SUB= 139245
48	154407		BELLCRANK.CLUTCH
49	123205X		RETAIN BELT
50	74760624		SUB= 74930624
51	73680600		SUB= 73690600
52	73680500		SUB= 73690500
53	105710X		"LINK, CLUTCH T"
55	105709X		"SPRING, RETURN LT"
56	74760620		SUB= 74780620
57	165632		"V-BELT.KEV.112""
61	17490612		SCREW
62	8883R		PEDAL COVER T
63	145868		PULLEY.CLUTCH.EVX
65	10040700		LOCKWASHER
66	154778		KEEPER-BELT
71	140158		STRAP TORQ LH HYD
73	156347		"STRAP-TORQUE,RH"
74	121199X		SPACER SPLIT
75	121749X		WASHER
76	12000001		E-RING LT
77	123583X		SQUARE KEY
78	121748X		WASHER
81	165585		ASM.SHAFT
82	123782X		"SPRING,TORSION"
83	19171216		WASHER
84	165629		LINK.TRANSAXLE
94	140462		"FAN 7"" HYDRO"
95	165935		CNTRL.ASM.BYPASS.HYDRO

Ref #	Part Number	Qty	Description
96	4497H		RETAINER M
100	19111216		WASHER M
102	141322		WASHER BELLEVILLE
103	73940800		SUB= 73360800
104	140156		ARM CONTROL HYDRO
105	71070516		SCREW CAP 5/16-18
145	74490540		BOLT.HEX.FLGHD
146	74490536		BOLT.HEX.FLGHD.
147	74490524		BOLT.HEX.FLGHD
150	165850		BUSHING.BELLCRANK.GRD.DR
151	19133210		WASHER
153	74760516		SUB= 77394
156	166002		WASHER.SRRTD.5/16
157	153236		"BOLT,SHOULDER"
158	165589		BRKT.SHIFT.MOUNT
159	165494		HUB.SHIFT
160	19292016		WASHER
161	72140406		BOLT T
162	73680400		SUB= 73690400
163	74780416		NLA
164	19091010		WASHER.5/8X.281X10GA
165	165623		BRKT.PIVOT.LEVER
166	166880		SCREW.5/16-18X5/8
167	165588		BRKT.SUPT.SHIFT.CRD
168	165492		BOLT.SHOULDER.5/16-18X.561
169	165580		PLATE.FASTENING
171	17490608		SCREW LT
172	165541		LINK.SHAFT.CRD.HYDRO
173	165934		BKRT.HYDRO.BYPASS.CRD
174	10090400		SUB= 10040400
175	165931		SPRING.BYPASS.CRD
176	19070816		WASHER
177	165932		KEEPOER.FLAT.IDLER
178	165933		KEEPER.BELT.IDLER
179	120958X		WASHER
180	165936		PULLEY.FLAT
181	165797		BRKT.IDLER.GRD.DR.CRD
182	165634		"KEEPER.BELT.2.5"".OD.CRD"
183	165626		PULLEY.V-IDLER
184	17490644		SCREW.HXWSH.3/8
185	165587		SHAFT.ASM.SHIFTER.FRT.CRD
186	165614		HUB.TAPERED.ROUND.CRD
187	17490620		SCREW
188	110436X		SUB= 9151R

### TRACTOR- -MODEL NO. RER145H36A

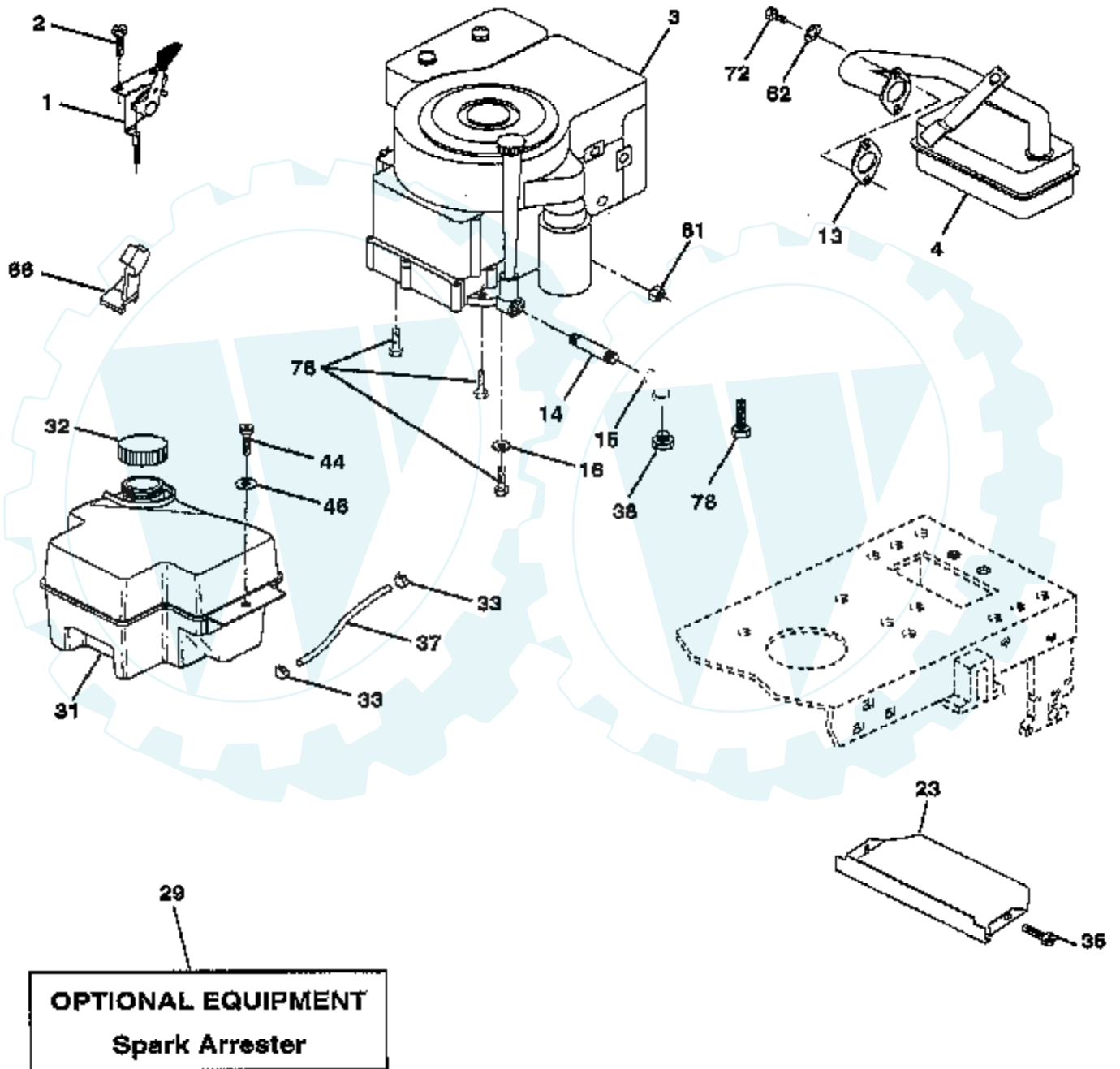
### ELECTRICAL



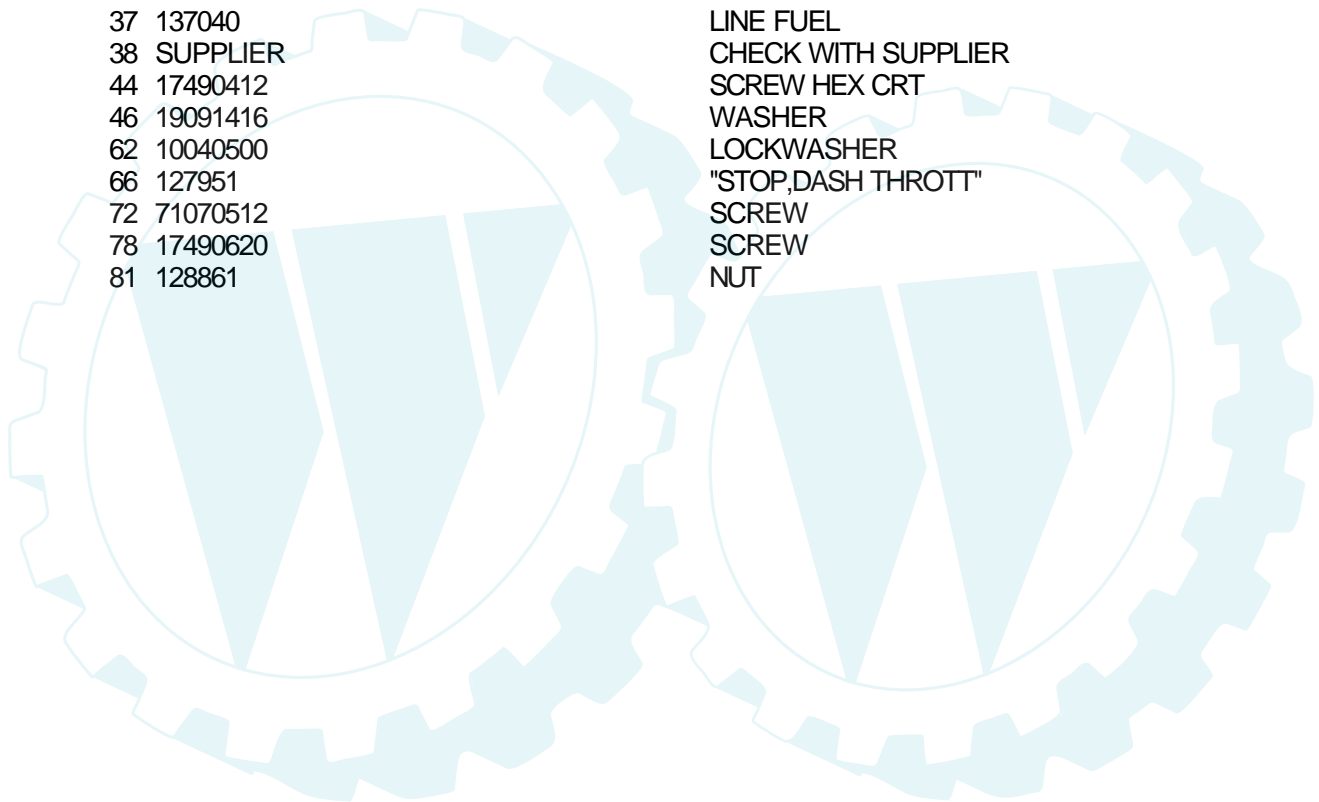
Ref #	Part Number	Qty	Description
	REFER		REFER TO IMAGE
1	144925		SUB= 123899X
2	74760412		BOLT LT
16	153664		SWITCH INTERLOCK
19	10090400		SUB= 10040400
20	73350400		NUT
21	166181		HARNES.ASM.LIGHT W/4152J
22	4152J		HEADLAMP BULB
24	4799J		"CABLE T, BATTERY"
25	165987		CABLE.BATTERY.CRD
26	166180		FUSE.15 AMP
27	73510400		NUT
28	127725X		"CABLE.GRD.6GA/18""BLACK"
29	160784		SWITCH.PLUNGER
30	140301		SWITCH IGN 4POS
31	124211X		NUT IGNITION
32	141226		COVER KEY SWITCH
33	122147X		KEY
40	166158		HARNES.IGN.CRD.ELECT
41	71110408		BOLT HXHD FIN
42	131563		SUB= 154336
43	145673		SUB= 146154
44	73640400		NUT HXKEP 1/4X20
48	140844		ADAPTER AMMETER
50	154963		PTO SWITCH.RED
51	140405		RING RETAIN PTO
52	141940		PROTECTION LOOP
58	165943		BUZZER CRD
59	166299		SWITCH.FBI.CRD
65	17211008		SCREW
66	17490608		SCREW LT
70	166668		HARNES.ENGINE
80	146685		HARNES.CLUT.EVX.
81	109748X		RELAY ASSY T

# TRACTOR- -MODEL NO. RER145H36A

## ENGINE

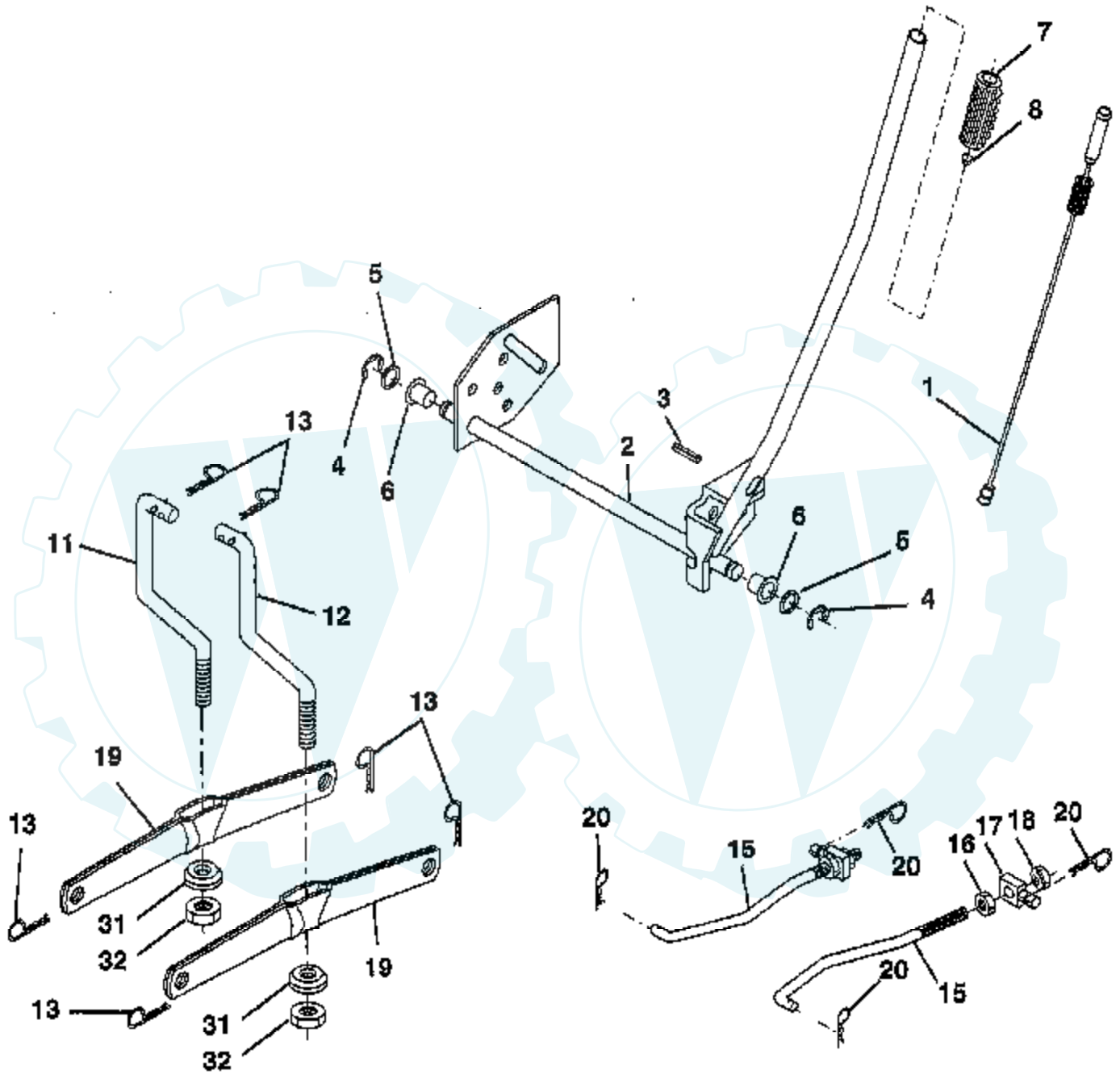


Ref #	Part Number	Qty	Description
1	141359		CONTROL.THTL.23.5
2	17720410		SCREW LT
3	SUPPLIER		CHECK WITH SUPPLIER
4	137352		MUFFLER
13	165291		SUB= 272293
14	13280324		PIPE NIPPLE
15	13200300		ELBOW
16	11050600		LOCKWASHER
23	159880		SHIELD.BRN/DBR.GD
29	137180		SUB= 532137180
31	161911		TANK.FUEL.FRONT.
32	140527		CAP ASM FUEL
33	123487X		HOSE CLAMP
35	17490512		SCREW
37	137040		LINE FUEL
38	SUPPLIER		CHECK WITH SUPPLIER
44	17490412		SCREW HEX CRT
46	19091416		WASHER
62	10040500		LOCKWASHER
66	127951		"STOP,DASH THROTT"
72	71070512		SCREW
78	17490620		SCREW
81	128861		NUT

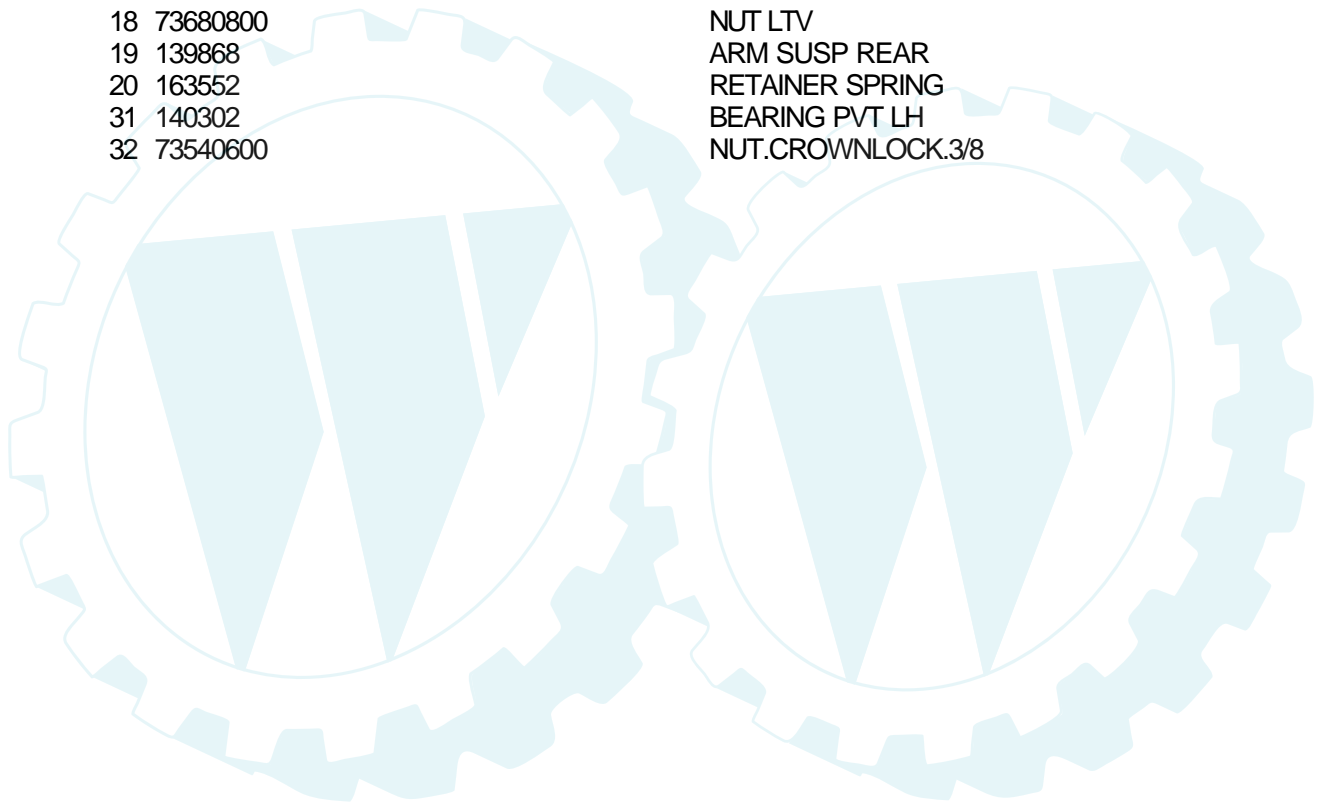


### TRACTOR- -MODEL NO. RER145H36A

#### MOWER LIFT



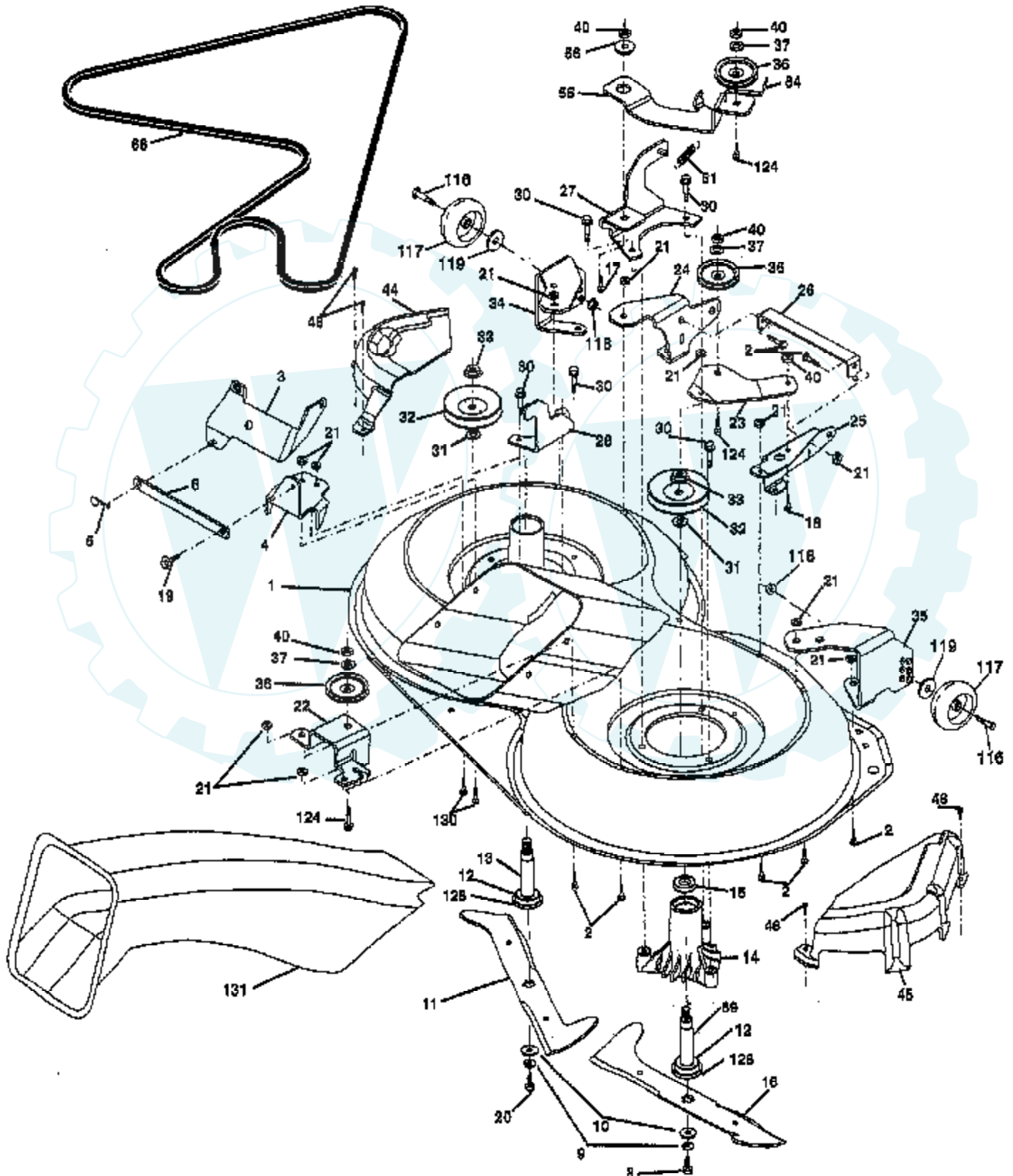
Ref #	Part Number	Qty	Description
1	159460		WIRE ASM W.SPRING
2	159471		"SHAFT ASM LIFT,RH"
3	105767X		PIN-GROOVE LT
4	12000002		SUB= 2225J
5	19211621		WASHER
6	120183X		NYLON BEARING
7	109413X		GRIP
8	124526X		SUB= 125925X
11	165829		LINK.LIFT.LH.CRD
12	165831		LINK.LIFT.RH.CRD
13	4939M		SUB= 85902
15	127218		LINK.FRONT
16	73350800		NUT
17	130171		TRUNION
18	73680800		NUT LTV
19	139868		ARM SUSP REAR
20	163552		RETAINER SPRING
31	140302		BEARING PVT LH
32	73540600		NUT.CROWNLOCK.3/8





### TRACTOR- -MODEL NO. RER145H36A

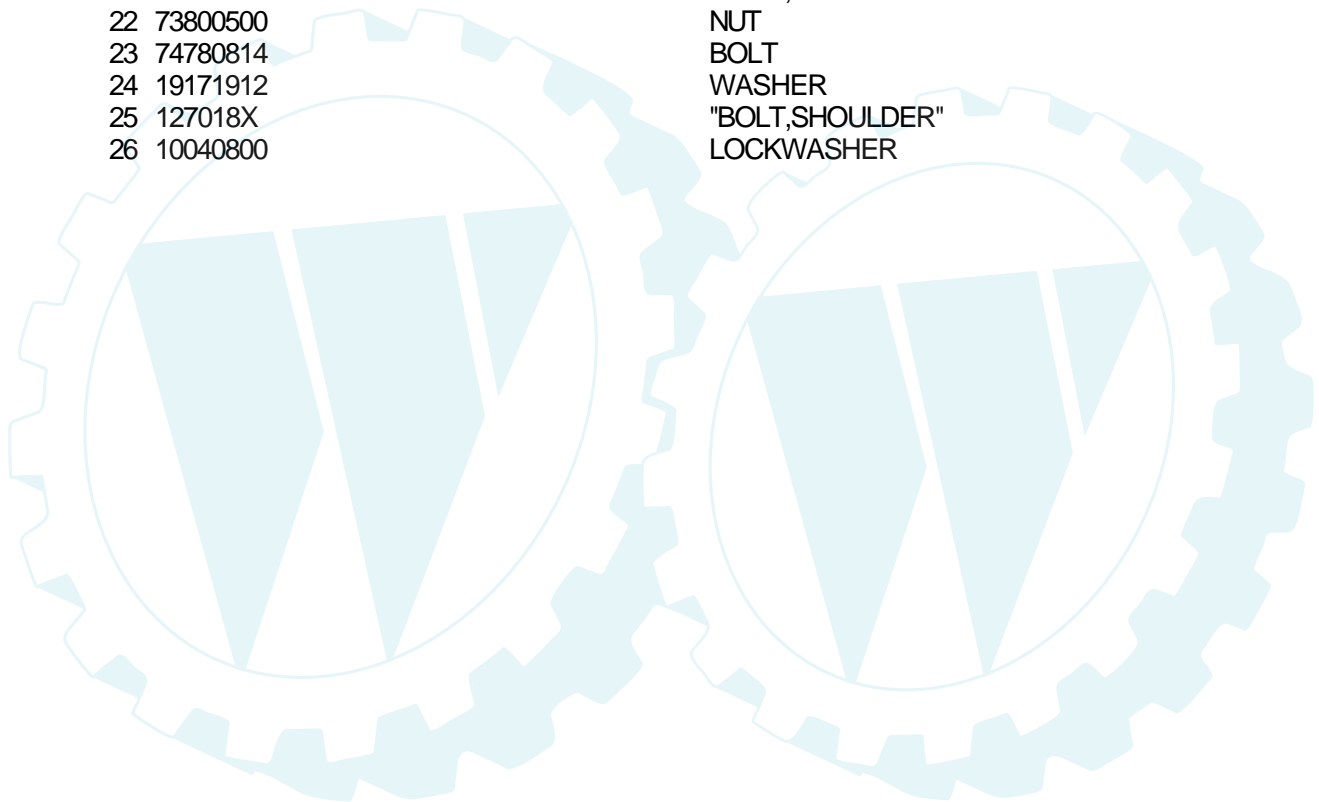
### MOWER



Ref #	Part Number	Qty	Description
1	165552		HOUSING.ASM.MOWER
2	72140506		BOLT
3	165569		BRKT.ASM.S-BAR.CHASSIS
4	165558		BRKT.BAR.SWAY.DECK
5	4939M		SUB= 85902
6	165557		BAR.SWAY.92.CRD
8	850857		BLADE BOLT
9	10030600		SUB= 10040600
10	140296		WASHER.HARD.BLADE
11	165560		BLADE.3-1.LH.92.CRD
12	129895		BEARING.BALL
13	137645		SUB= 137646
14	128774		HSG ASM MANDREL
15	110485X		BEARING
16	165561		BLADE.3-1.RH.CRD.92
17	72140610		BOLT.3/8-14X1.25
18	72110608		BOLT D
19	132827		BOLT SHD 5/16-18
20	165484		BOLT.3/8-24X1.25
21	73680500		SUB= 73690500
22	165243		BRKT.IDLER.SPRT.CRD
23	165446		"BRKT.IDLER.SPRT.RF.92.CRD"
24	165242		BRKT.SUSP.LF.92.CRD
25	165244		BRKT.SUSP.RF.92.CRD
26	165237		BRACE.SUPT.SUSP.FRT.CRD
27	165568		BRKT.ASM.SUSP.RR.92.CRD
28	165567		BRKT.ASM.SUSP.LR.92.CRD
30	157722		"SCREW-THD ROLL,WA"
31	129963		WASHER
32	153531		PULLEY.MAND.36/46
33	137266		SUB= 139729
34	165239		BRKT.GUAGE.WHL.LF.92.CRD
35	165238		BRKT.GUAGE.WHL.RF.92.CRD
36	146763		PULLEY.IDLER.4.25
37	19131316		WASHER
40	73680600		SUB= 73690600
44	165724		COVER.MANDREL.LH.92.CRD
45	165556		COVER.MANDREL.RH.92.CRD
46	137729		SCREW.1/4-20X5/8
55	165445		ARM.IDLER.92.CRD
56	122052X		SPACER RETAINER
61	165945		SPRING.TENSION.BELT
68	165555		HEX-BELT.92.MWR.105AA
69	165482		SHAFT.ASM.W/LWR.BRG.RH.TH
84	156085		"KEEPER-BELT,IDLER"
116	137644		BOLT.SHOULDER
117	133957		WHEEL GAGE DONUT
118	73930600		LOCKNUT
119	19121414		WASHER
124	72110612		BOLT.3/8-16X1.50
128	153390		WASHER.FELT.
130	72110506		SUB= 72270506
131	165661		CHUTE.BAGGER.CRD
	130794		MANDREL ASM
	165579		MANDREL.ASM.CRD.LH.THREADS
	165578		DECK.MOWER.COMPLETE



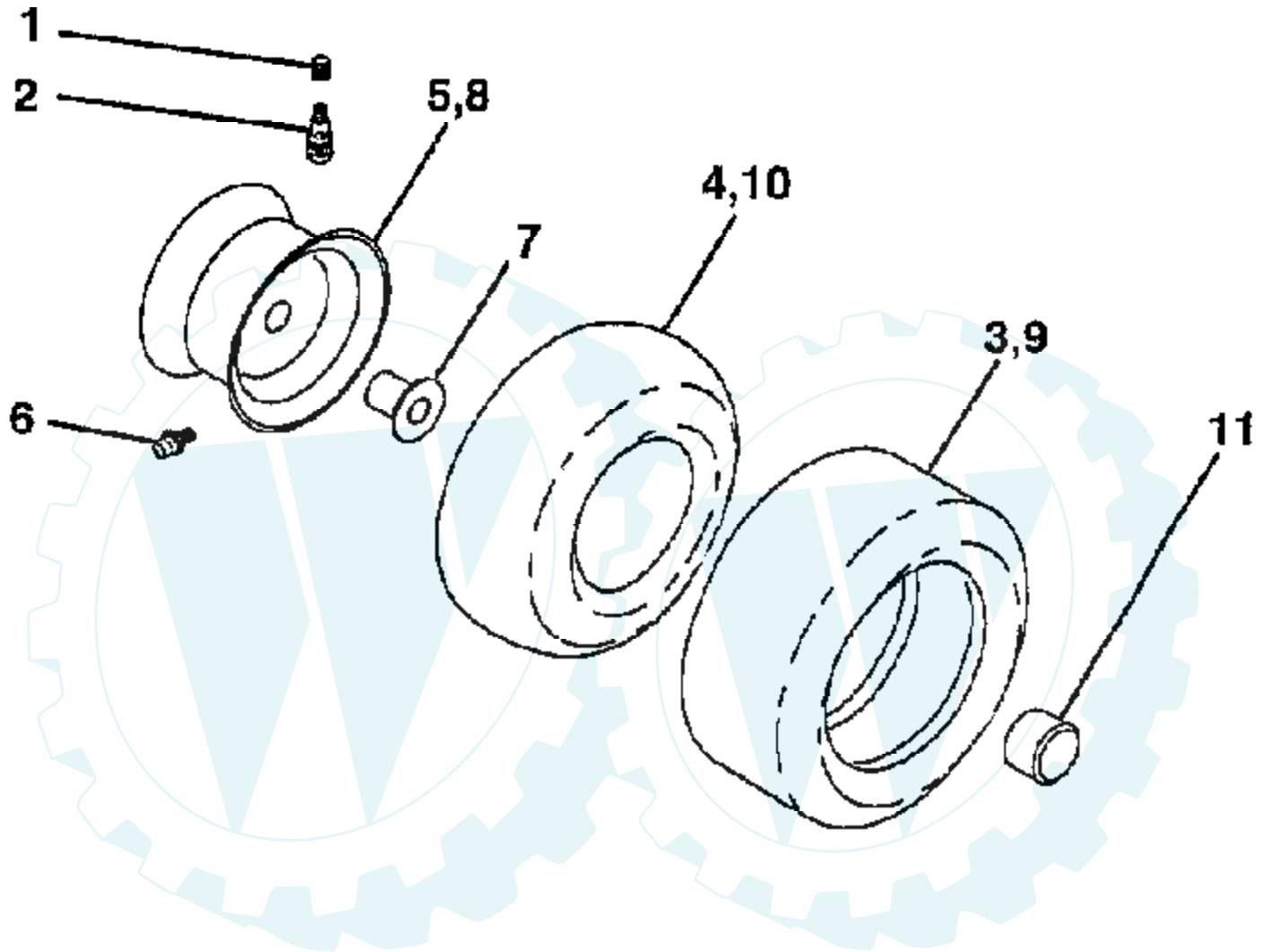
Ref #	Part Number	Qty	Description
1	127428		SUB= 140119
2	140551		BRACKET PVT SEAT
5	145006		CLIP.PUSH-IN.HING
7	124181X		SPRING COMPRESSIO
8	17490616		SCREW GTV
9	19131614		WASHER
10	155925		PAN-SEAT
12	121246X		BRKT SWITCH
13	121248X		BUSHING
14	72050412		BOLT-RD HD SQ NK
15	134300		SPLIT SPACER
16	121250		SUB= 121250X
17	123976X		SUB= 73900400
21	153236		"BOLT,SHOULDER"
22	73800500		NUT
23	74780814		BOLT
24	19171912		WASHER
25	127018X		"BOLT,SHOULDER"
26	10040800		LOCKWASHER





Ref #	Part Number	Qty	Description
1	133741		SUB= 150547
2	137094		SUB= 532137094
3	157479		"SPINDLE ASM,LH"
4	157478		"SPINDLE ASM,RH"
5	6266H		WASHER .T
6	121748X		WASHER
7	19272016		WASHER
8	12000029		RING
10	154432		LINK.DRAG
11	10040600		LOCKWASHER
13	167118		BEARING.FRT.SPACER.AXLE
15	73901000		"NUT-LOC,FLANGE LT"
17	156546		SHAFT ASM STEERIN
18	57079		THRUST WASHER
19	160395		SUPPORT.SHAFT.STEER
22	165857		SCREW.HX.WSH.HD
23	165851		SHAFT.ASM.PITMAN
25	154406		BRKT-STEERING
27	136874		GEAR SECTOR
29	17490612		SCREW
32	137347		ROD.ASM.TIE.BALL
36	155099		BUSHING.STEERING
37	152927		"SCREW-TT,10-32 FL"
38	133742		ST WHL INSERT CAP
39	19133808		WASHER T
40	7810H		GRIPCO NUT
41	100711L		ADAPTER LT
42	145054		BOOT.STEER.PL
43	121749X		WASHER
44	153720		EXT SHAFT STEERIN
46	121232X		CAP
47	6855M		ZERK M
51	73800500		NUT
54	74780520		BOLT
62	167902		KIT.STEER.ASM
63	74780616		BOLT
65	154780		SPACER AXLE
66	154404		"BEARING-ARM,PITMA"
67	74781044		BOLT
68	154429		BRACE AXLE
74	109850X		JOINT.RH
75	109851X		JOINT.LH
76	137156		SUB= 137347
77	73700600		NUT
78	73360600		NUT
79	19132012		WASHER
80	74950612		BOLT.HX.NYLON3/8-16X3/

# WHEELS & TIRES



Ref #	Part Number	Qty	Description
1	59192		VALVE CAP
2	65139		VALVE STEM LT
3	106222X		SUB= 122073X
4	59904		TUBE.5.3/4.5/6
5	106732X427		"RIM ASM 6"" FRT"
6	278H		FITTING LT
7	9040H		"FLANGE, BEARING"
8	106108X427		"RIM AS 8"" REAR"
9	138468		TIRE.20X8-8
10	7152J		TUBE.18X9.5-8
11	104757X		HUB CAP
	144334		SEALANT.TIRE 10 OZ. TUBE

