



REPAIR PARTS MANUAL
MODEL NO. RER12536G
Lawn Tractor

Rally

HOW TO USE THIS MANUAL

This manual is designed to provide the customer with a means to identify the parts on his/her tractor when ordering repair parts. The illustrations may or may not represent the actual assemblies; therefore, it is not recommended to use this manual as a guide to assemble or disassemble the tractor. Some hardware and parts are drawn larger in order to more readily identify them.

Each tractor has its own model number.

The model number for your tractor can be found on the fender under the seat.

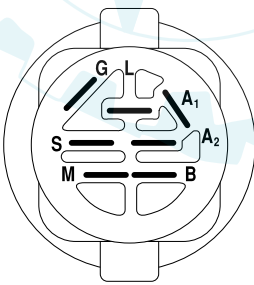
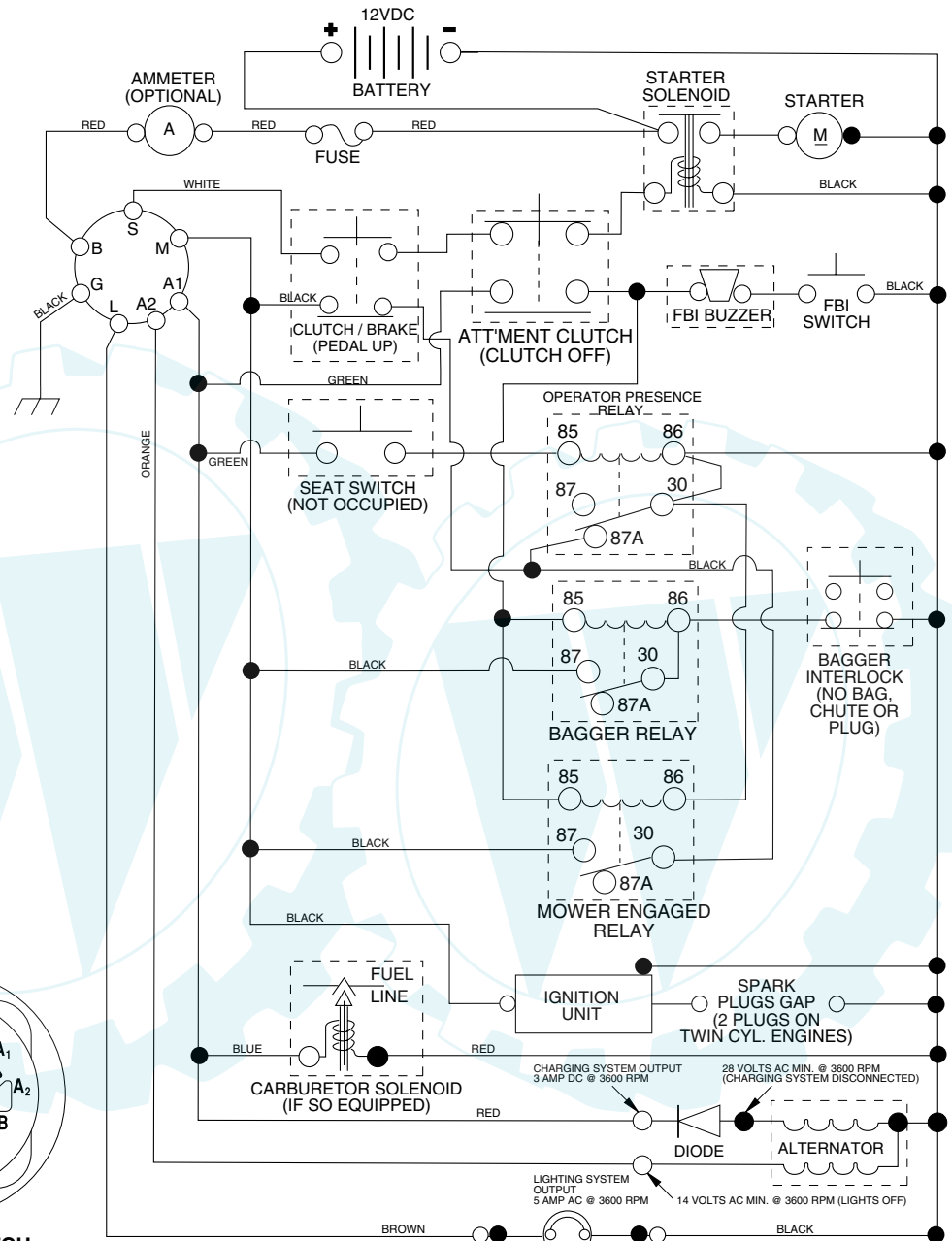
When ordering parts, always give the following information:

- Product - "Tractor"
- Model Number - "RER12536G"
- Part Number
- Part Description

TABLE OF CONTENTS

SCHEMATIC	3
ELECTRICAL	4-5
CHASSIS	6-7
DRIVE	8-9
STEERING	10-11
SEAT	12
DECALS	13
ENGINE	14-15
MOWER LIFT	16-17
MOWER DECK	18-19
BAGGER	20-21

TRACTOR- - MODEL NO. RER12536G, PRODUCT NO. 954 56 50-51 SCHEMATIC



IGNITION SWITCH

POSITION	CIRCUIT	"MAKE"
OFF	M+G+A1	NONE
RUN/LIGHT	B+A1	A2+L
RUN	B+A1	NONE
START	B + S + A1	NONE

WIRING INSULATED CLIPS
NOTE: IF WIRING INSULATED CLIPS WERE REMOVED FOR SERVICING OF UNIT, THEY SHOULD BE REPLACED TO PROPERLY SECURE YOUR WIRING.

● NON-REMOVABLE CONNECTIONS

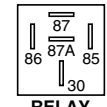
○ REMOVABLE CONNECTIONS

PTO SWITCH

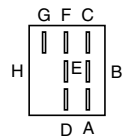
POSITION	CIRCUIT
OFF	C + G, B + H
ON	C + F, B + E, A + D

HEADLIGHTS

NOTE
YOUR TRACTOR IS EQUIPPED WITH A SPECIAL ALTERNATOR SYSTEM. THE LIGHTS ARE NOT CONNECTED TO THE BATTERY, BUT HAVE THEIR OWN ELECTRICAL SOURCE. BECAUSE OF THIS, THE BRIGHTNESS OF THE LIGHTS WILL CHANGE WITH ENGINE SPEED. AT IDLE THE LIGHTS WILL DIM. AS THE ENGINE IS SPEEDED UP, THE LIGHTS WILL BECOME THEIR BRIGHTEST.



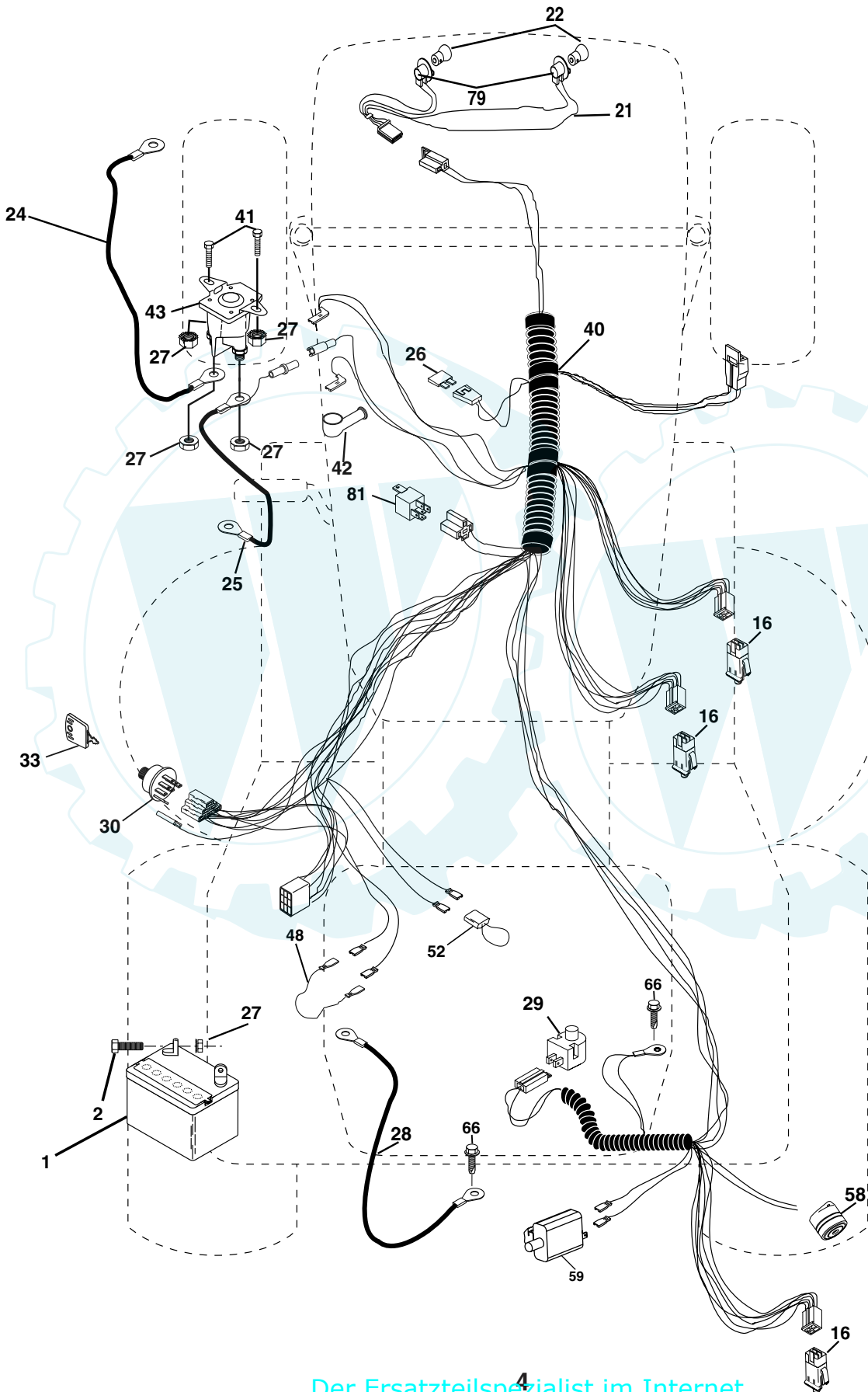
RELAY



REPAIR PARTS

www.ersatzteil-service.de

TRACTOR- - MODEL NO. RER12536G, PRODUCT NO. 954 56 50-51
ELECTRICAL



REPAIR PARTS

www.ersatzteil-service.de

TRACTOR- - MODEL NO. RER12536G, PRODUCT NO. 954 56 50-51 ELECTRICAL

KEY NO.	PART NO.	DESCRIPTION
1	532 16 34-65	Battery
2	874 76 04-12	Bolt Hex Hd 1/4-20 Unc X 3/4
16	532 17 61-38	Switch Interlock
21	532 17 56-85	Harness Asm Light W/4152J
22	532 00 41-52	Bulb Light #1156
24	532 12 47-80	Cable Battery
25	532 16 59-87	Cable Battery Crd 56" Red
26	532 17 51-58	Fuse
27	873 51 04-00	Nut Keps Hex 1/4-20 Unc
28	532 12 77-25	Cable Ground 6Ga 18" Black
29	532 16 07-84	Switch Plunger Normal Op Olive
30	532 17 55-66	Switch Ignition
33	532 14 04-01	Key Ign Molded
40	532 17 97-28	Harness Ign Crd Noram
41	871 11 04-08	Bolt Flk Fin Hex 1/4-20 Unc X 1/2
42	532 13 15-63	Cover Terminal Red
43	532 17 88-61	Solenoid
48	532 14 08-44	Adapter Ammeter Rectangular
52	532 14 19-40	Protection Wire Loop
58	532 16 94-19	Buzzer Crd
59	532 18 03-79	Switch FBI CRD
66	817 49 06-08	Screw Thdrol 3/8-16 x 1/2 Ty-Tt
81	532 10 97-48	Relay Asm

NOTE: All component dimensions given in U.S. inches.
1 inch = 25.4 mm.

REPAIR PARTS

www.ersatzteil-service.de

TRACTOR- - MODEL NO. RER12536G, PRODUCT NO. 954 56 50-51 CHASSIS AND ENCLOSURES

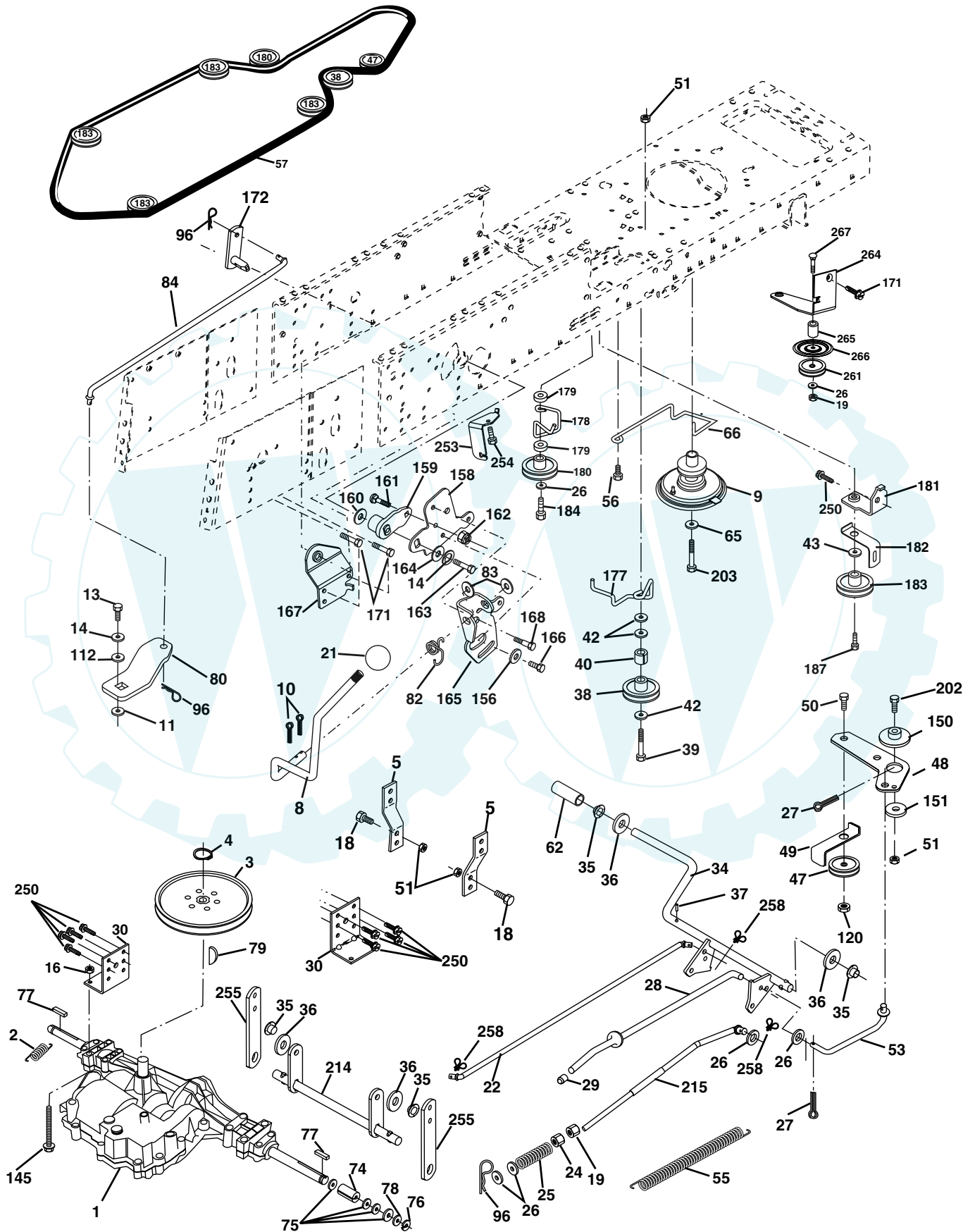
KEY NO.	PART NO.	DESCRIPTION	KEY NO.	PART NO.	DESCRIPTION
1	532 17 46-20	Chassis	58	532 15 01-27	Duct Air Engine
2	532 18 03-84	Drawbar	69	532 14 24-32	Screw Hex Wsh
3	817 06 06-12	Screw 3/8-16 x 3/4	89	532 18 13-88	Console
5	532 15 52-72	Bumper Hood/Dash	145	532 15 65-24	Rod Pivot Chassis/Hood
6	532 15 59-23	Saddle	161	532 16 46-55	Bumper Extrusion
8	532 12 64-71	Clip Insulator 13/32 Mtg. Hole	162	532 18 03-82	Bracket Exten Chassis Lh CRD
9	532 17 22-43	Dash	163	532 18 03-83	Bracket Exten Chassis Rh CRD
10	872 14 06-08	Bolt, Carriage 3/8-16 x 3/4	164	532 16 56-05	Support Battery CRD
11	532 17 49-96	Panel, Dash, L.H.	165	532 18 13-56	Cover Battery
12	532 14 56-60	Clip Tinnerman	170	532 17 88-62	Backplate Asm CRD
13	532 18 17-19	Panel, Asm. Dash R.H.	171	872 14 06-20	Bolt Rdhd Sqnk 3/8-16 x 2-1/2 Gr. 5
15	874 18 05-12	Screw, Machine, Truss Head 5/16-18 UNC x 3/4	172	819 13 20-16	Washer 13/32 x 1-1/4 x 16 Ga.
16	873 51 05-00	Nut	173	873 51 06-00	Nut, Keps Hex 3/8-16 UNC
17	532 15 93-55	Hood	175	532 18 03-10	Guard Trap
18	532 12 69-38	Bumper Hood	179	532 18 03-76	Rod Pivot FBI CRD
20	532 18 06-79	Plate Battery/Tank Fuel	184	532 17 46-62	Bracket Actuator Bagger CRD
24	874 78 06-16	Bolt	185	532 18 11-01	Knob Rod Brake Parking
25	819 13 13-12	Washer 13/32 x 13/16 x 12 Gauge	186	532 16 07-93	Latch Asm Mulch/Bagger
26	873 80 06-00	Nut	187	532 12 50-04	Nut Weld
28	532 17 91-01	Grille /Lens Asm	188	819 06 12-16	Washer #10
29	532 16 81-54	Lens, Grille	189	810 07 10-00	Washer Lock #10
30	532 18 13-59	Fender	190	871 08 10-10	Screw Pan Hd Phillip 10-24 x 5/8
31	532 16 51-56	Bracket, Fender Support	198	532 16 89-37	Nut, Push
33	532 18 11-93	Footrest, L.H.	205	817 49 06-08	Screw Thdrol 3/8-16 x 1/2
34	532 18 11-94	Footrest, R.H.	207	817 06 05-08	Screw 5/16-18 x 1/2
35	872 11 06-06	Bolt	208	817 67 06-08	Screw Thdrol 3/8-16 x 1/2
37	817 49 05-08	Screw Thdrol 5/16-18 x 1/2 TYT	209	817 00 06-12	Screw Hex Wsh Thdrol 3/8-16
38	532 18 17-48	Bracket Asm Pivot Mower Rear	212	532 15 62-29	Insert Lens Reflective
51	873 80 04-00	Nut Lock 1/4-20 Unc	214	532 12 47-88	Retainer Spring
52	819 09 14-16	Washer 9/32 x 7/8 x 16 Ga.	219	817 00 05-12	Screw 5/16-18 x 3/4
53	532 14 46-97	Bracket Grille L.H.	256	532 18 13-61	Cover Fender Rack CRD
54	532 16 14-64	Screw Hex 8-18 X 7/8	--	532 00 54-79	Plug, Button
55	532 14 46-96	Bracket Grille R.H.			
57	874 78 04-12	Bolt Fin Hex 1/4-20 Unc x .75			

NOTE: All component dimensions given in U.S. inches.
1 inch = 25.4 mm.

REPAIR PARTS

www.ersatzteil-service.de

TRACTOR- - MODEL NO. RER12536G, PRODUCT NO. 954 56 50-51
DRIVE



REPAIR PARTS

www.ersatzteil-service.de

TRACTOR- - MODEL NO. RER12536G, PRODUCT NO. 954 56 50-51

DRIVE

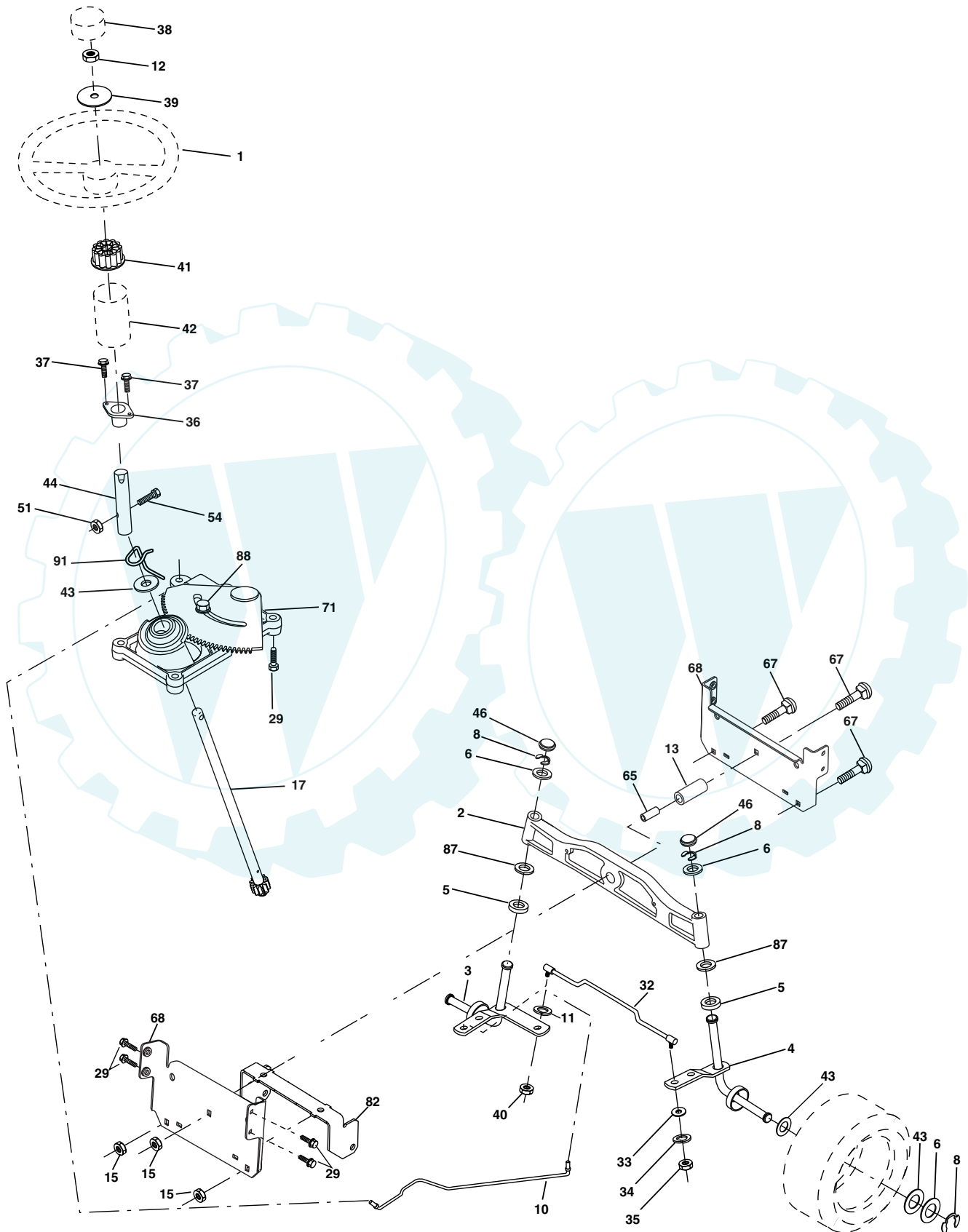
KEY NO.	PART NO.	DESCRIPTION	KEY NO.	PART NO.	DESCRIPTION
1	-----	Transaxle Peerless 206-546 (Order parts from transaxle manufacturer)	79	532 12 50-96	Key Woodruff
2	532 14 66-82	Spring Brake Return	80	532 14 50-90	Arm Shift PMST 20" Tires
3	532 16 59-99	Pulley Transaxle	82	532 16 57-11	Spring, Torsion
4	812 00 00-28	Ring Retainer #5100-62	83	819 17 12-16	Washer 17/32 x 3/4 x 16 Ga.
5	532 12 15-20	Strap torque 30 degrees	84	532 16 56-21	Link Shift CRD Pmst 18" Tires
8	532 16 56-19	Rod Shift Fender Adjust Lt	96	532 12 47-88	Spring, Retainer 1"
9	532 18 03-54	Clutch Asm Noram	112	819 09 12-10	Washer 9/32 x 3/4 x 10 Ga.
10	876 02 04-16	Pin, Cotter 1/8 x 1	120	873 90 06-00	Nut Lock 3/8-16 Unc
11	532 10 57-01	Washer Plate Shf .3888 sq hole	145	874 49 05-40	Bolt Hex FGHD 5/16-18 x Gr 5
13	874 55 04-12	Bolt 1/4-28 Unf Gr 8 w/patch	150	532 16 58-50	Bushing, Bellcrank Grnd Dr
14	810 04 04-00	Washer, Lock Hvy Helical	151	819 13 32-10	Washer 13/32 x 2 x 10 Ga.
16	873 80 05-00	Nut, Lock Hex w/Ins 5/16-18 UNC	156	532 16 60-02	Washer Srred 5/16 ID x 1.125
18	874 78 06-16	Bolt Hex 3/8-16 UNC x 1 Gr.5	158	532 16 55-89	Bracket Shift Mount
19	873 68 06-00	Nut 3/8-16 UNC	159	532 16 54-94	Hub Tapered Flange Shift Lt
21	532 10 69-33	Knob Rd 1/2-13 Plstc Thds Blk	160	819 29 20-16	Washer 25/32 x 1-1/4 x 16 Ga.
22	532 17 56-07	Rod, Brake CRD	161	872 14 04-06	Bolt Rdhd Sqnk 1/4-20 x 3/4 Gr 5
24	873 35 06-00	Nut	162	873 68 04-00	Nut Crownlock 1/4-20 Unc
25	532 10 68-88	Spring, Rod, Brake	163	874 78 04-16	Bolt Hex Fin 1/4-20 Unc x 1 Gr 5
26	819 13 13-16	Washer 13/32 x 13/16 x 16 Ga.	164	819 09 10-10	Washer 5/8 x .281 x 10 Ga.
27	876 02 04-12	Pin, Cotter 1/8 x 3/4	165	532 16 56-23	Bracket Pivot Lever
28	532 17 57-65	Rod, Parking Brake	166	532 16 68-80	Screw 5/16-18 x 5/8
29	532 07 16-73	Cap, Parking Brake	167	532 16 55-88	Bracket Support Shift CRD
30	532 17 49-73	Bracket, Mfg. Transaxle	168	532 16 54-92	Bolt Shoulder 5/16-18 x .561
34	532 17 55-78	Shaft, Asm Pedal Foot CRD	171	817 49 06-08	Screw Thdrol 3/8-16 x 1/2 Ty-Tt
35	532 12 01-83	Bearing, Nylon	172	532 16 56-35	Shaft Asm Shift Front CRD PMST
36	819 21 16-16	Washer 21/32 x 1 x 16 Ga.	177	532 16 59-32	Keeper Flat Idler 3.06" CRD
37	532 12 49-63	Pin, Roll 3/16 x 1"	178	532 16 59-33	Keeper Belt Idler 1.88" CRD
38	532 16 59-36	Pulley, Flat	179	532 12 09-58	Washer Sintered
39	874 76 06-44	Bolt Fin Hex 3/8-16 Unc x 2-3/4	180	532 16 56-30	Pulley Flat Idler
40	532 12 49-65	Spacer, Split 395 x 59 Bzp	181	532 18 02-11	Bracket Idler Ground Drive CRD
42	819 13 13-12	Washer 13/32 x 13/16 x 12 Ga.	182	532 18 26-82	Keeper Belt 2.5" STL V-Idler CRD
43	819 11 10-12	Washer 11/32 x 5/8 x 12 Ga.	183	532 17 90-50	Pulley V-Idler 2.50" Od CRD
47	532 12 77-83	Pulley, Idler, V Groove Plasitc	184	817 49 06-44	Screw Hexwsh Thdrol 3/8-16 x 2-3/4
48	532 15 44-07	Bellcrank Clutch Grnd Drv	187	817 58 05-20	Screw 5/16-18 x 1.25
49	532 12 32-05	Retainer, Belt Style Spring	202	872 11 06-14	Bolt 3/8-16 x 1-3/4 Gr. 5
50	874 76 06-24	Bolt Hex Hd 3/8-16 UNC x 1-1/2	203	871 17 07-80	Bracket Pnt Clutch Noram
51	873 68 06-00	Nut, Crownlock 3/8-16 UNC	214	532 17 56-09	Brake Shaft Asm.
53	532 10 57-10	Link, Clutch 7.66	215	532 17 56-51	Rod Brake
55	532 10 57-09	Spring, Return, Clutch	250	817 06 06-12	Screw 3/8-16 x .75
56	817 06 06-20	Bolt, Hex 3/8-16 UNC x 1-1/4	253	532 17 50-28	Bracket Cable Chassis
57	532 16 56-31	V-Belt Kev PMST CRD	254	817 06 06-16	Screw 3/8-16 x 1.0
62	532 12 48-72	Cover, Pedal	255	532 17 56-08	Brace Shift
65	810 04 07-00	Washer	258	532 17 80-62	Clip Retainer
66	532 15 47-78	Keeper, Belt Engine F-Proof	261	532 13 14-94	Pulley Idler Flat
74	532 13 70-57	Spacer Axle	264	532 18 19-95	Bracket Clutch
75	532 12 17-49	Washer 25/32 x 1-1/4 x 16 Ga.	265	532 18 20-13	Spacer Idler
76	812 00 00-01	Ring, E	266	532 18 20-61	Shield Idler
77	532 12 35-83	Key, Square	267	872 14 06-26	Bolt Rdhd Sqnk 3/8-16 x 3-1/4
78	532 12 17-48	Washer 25/32 x 1-5/8 x 16 Ga.			

NOTE: All component dimensions given in U.S. inches
1 inch = 25.4 mm

REPAIR PARTS

www.ersatzteil-service.de

TRACTOR- - MODEL NO. RER12536G, PRODUCT NO. 954 56 50-51 STEERING ASSEMBLY



REPAIR PARTS

www.ersatzteil-service.de

TRACTOR- - MODEL NO. RER12536G, PRODUCT NO. 954 56 50-51 STEERING ASSEMBLY

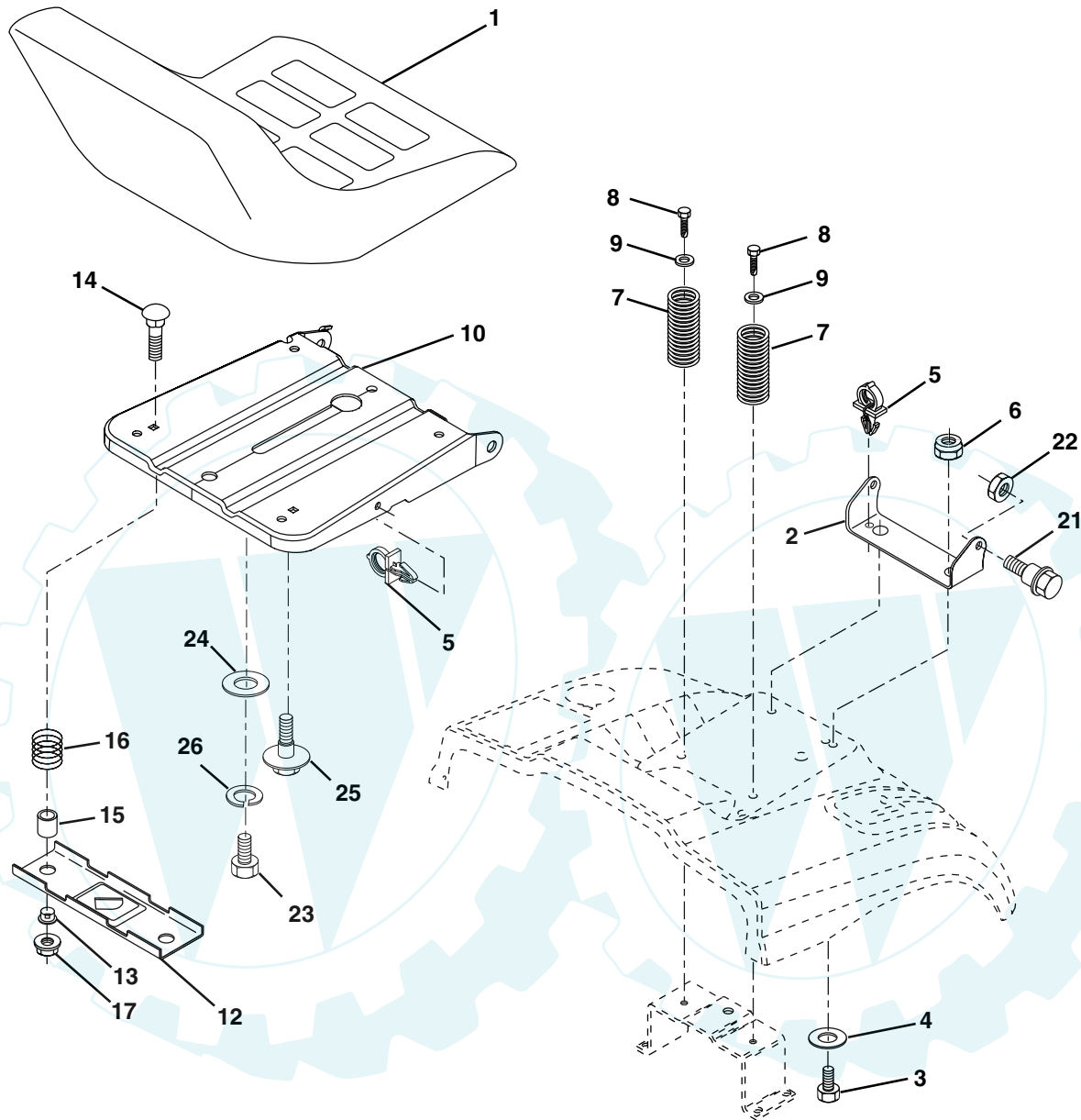
KEY NO.	PART NO.	DESCRIPTION
1	532 1771-82	Steering Wheel
2	532 1723-93	Cast Lt Machined
3	532 1698-40	Spindle Assembly, L.H.
4	532 1698-39	Spindle Assembly, R.H.
5	532 1249-31	Washer, Thrust .75 x 1.230
6	532 1217-48	Washer 25/32 x 1-5/8 x 16 Gauge
8	812 0000-29	Ring, Klip
10	532 1751-21	Link, Drag
11	810 0406-00	Washer, Lock
12	873 9408-00	Nut Hex Jam Toplock 1/2-20 Unf
13	532 1365-18	Spacer Brg Axle Front
15	532 1452-12	Nut, Hex Flange Lock
17	532 1806-41	Shaft Assembly, Steering
29	817 0606-12	Screw 3/8-16 x 3/4
32	532 1701-62	Rod, Tie
33	819 1112-16	Washer 11/32 x 3/4 x 16 Ga
34	810 0405-00	Washer Lock Hvy Hlcl Spr 5/16
35	873 5405-00	Crownlock 5/16-24 Unf
36	532 1550-99	Bushing, Steering
37	532 1529-27	Screw TT #10-32 x 5 x 3/8 Flange
38	532 1771-83	Cap Wheel Steering
39	819 1838-12	Washer 9/16 x 2-3/8 x 12 Gauge
40	532 1247-01	Nut Lock Center 3/8-24 Unf
41	532 1007-11	Adaptor, Steering Wheel
42	532 1696-33	Boot, Steering Dash P/L Mtl
43	532 1217-49	Washer 25/32 x 1-1/4 x 16 Gauge
44	532 1806-40	Extension Steering
46	532 1212-32	Cap, Spindle
51	873 5404-00	Nut Crownlock 1/4-28
54	871 1304-20	Bolt Hex 1/4-28 Unf x 1-1/4 Gr. 8
65	532 1603-67	Spacer Brace Axle
67	872 1406-18	Bolt Rdhd Sqnk 3/8-16unc x 2-1/4
68	532 1698-27	Brace Axle
71	532 1751-46	Steering Asm.
82	532 1698-35	Bracket Susp Chassis Front 15"
87	532 1739-66	Washer Flat .781 x 1-1/2 x .14
88	532 1751-18	Bolt Shoulder
91	532 1755-53	Clip Steering

NOTE: All component dimensions given in U.S. inches.
1 inch = 25.4 mm.

REPAIR PARTS

www.ersatzteil-service.de

TRACTOR- - MODEL NO. RER12536G, PRODUCT NO. 954 56 50-51 SEAT ASSEMBLY



KEY NO.	PART NO.	DESCRIPTION
1	532 1274-27	Seat
2	532 14 05-51	Bracket Pnt Pivot Seat (blk)
3	871 11 06-16	Bolt Fin Hex 3/8-16 Unc x 1
4	819 13 16-10	Washer Flat 13/32 x 1 x 10 Ga.
5	532 14 50-06	Clip Push In Hinged
6	873 80 06-00	Nut Lock 3/8-16 Unc
7	532 12 41-81	Spring Seat Cprsn 2 250 Blk Zi
8	817 00 06-16	Screw 3/8-16 X 1-1/2
9	819 13 16-14	Washer 13/32 X 1 X 14 Ga
10	532 18 24-93	Pan Pnt Seat (blk)
12	532 12 12-46	Bracket Pnt Mounting Switch
13	532 12 12-48	Bushing Snap Blk Nyl 50 Id
14	872 05 04-12	Bolt Rdhd Sht Nk 1/4-20x1-1/2

KEY NO.	PART NO.	DESCRIPTION
15	532 13 43-00	Spacer Split
16	532 12 12-50	Spring Cprsn Plate SW 1.310 Ga
17	532 12 39-76	Nut Lock 1/4 Lge Flg Gr 5 Zinc
21	532 17 18-52	Bolt Shoulder 5/16-18 Unc-2A
22	873 80 05-00	Nut Hex Lock w/Ins 5/16-18
23	871 11 08-14	Bolt Hex Black
24	819 17 19-12	Washer 17/32 X 1-3/16 X 12 Ga.
25	532 12 70-18	Bolt Shoulder 5/16-18 X 62
26	810 04 08-00	Washer Lock Hvy Hlcl Spr 1/2

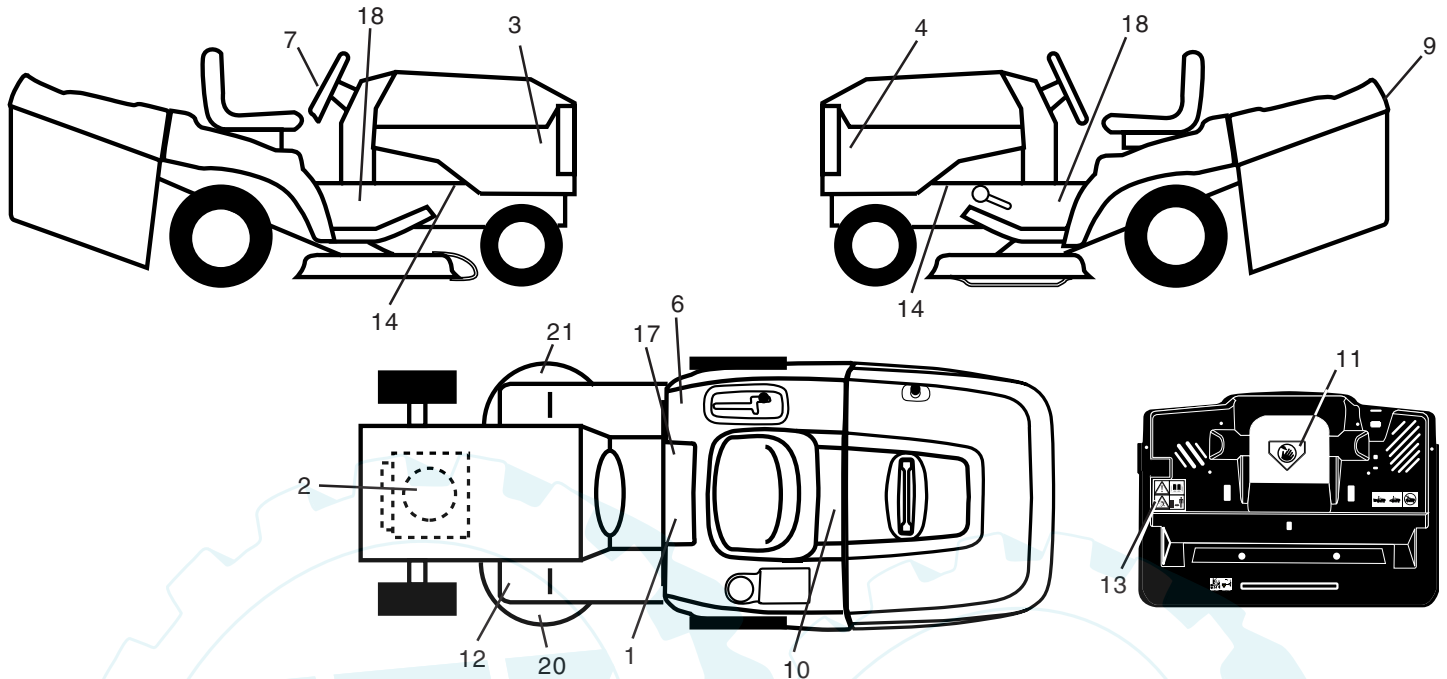
NOTE: All component dimensions given in U.S. inches.
1 inch = 25.4 mm

REPAIR PARTS

www.ersatzteil-service.de

TRACTOR- - MODEL NO. RER12536G, PRODUCT NO. 954 56 50-51

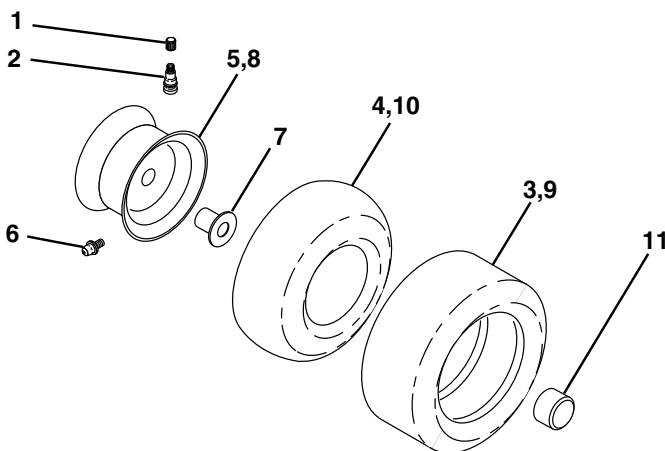
DECALS



KEY NO.	PART NO.	DESCRIPTION
1	532 14 54-98	Decal Read Owner's Manual Sym
2	532 17 08-39	Decal Hp Engine
3	532 18 11-44	Decal Hood Rh
4	532 18 11-45	Decal Hood Lh
6	532 18 04-32	Decal 100 DB/CE
7	532 12 70-75	Decal Ins Strg Whl
9	532 18 11-46	Decal Fender Logo
10	532 14 50-05	Decal Bat Dan/Poi P/L Sym Wpn
11	532 18 21-66	Decal Mower Cut Finger Symbol
12	532 15 97-37	Decal Brake/Clutch Symbol Lt

KEY NO.	PART NO.	DESCRIPTION
13	532 18 04-35	Decal Rear Plate CRD Symbols
14	532 15 97-36	Decal Chassis Hot Muffler
17	532 14 08-37	Decal Saddle Brake Parking
18	532 18 11-48	Decal Chassis
20	532 13 49-99	Decal Enviro Deck
21	532 16 62-86	Decal Deck Sch 92 CRD
--	532 13 83-11	Decal Lift Handle
--	532 18 26-21	Decal Bagger Frame Assy.
--	532 18 22-87	Manual Operator's (Euro)
--	532 18 22-88	Manual Operator's (Scan)
--	532 18 22-89	Manual Parts

WHEELS & TIRES



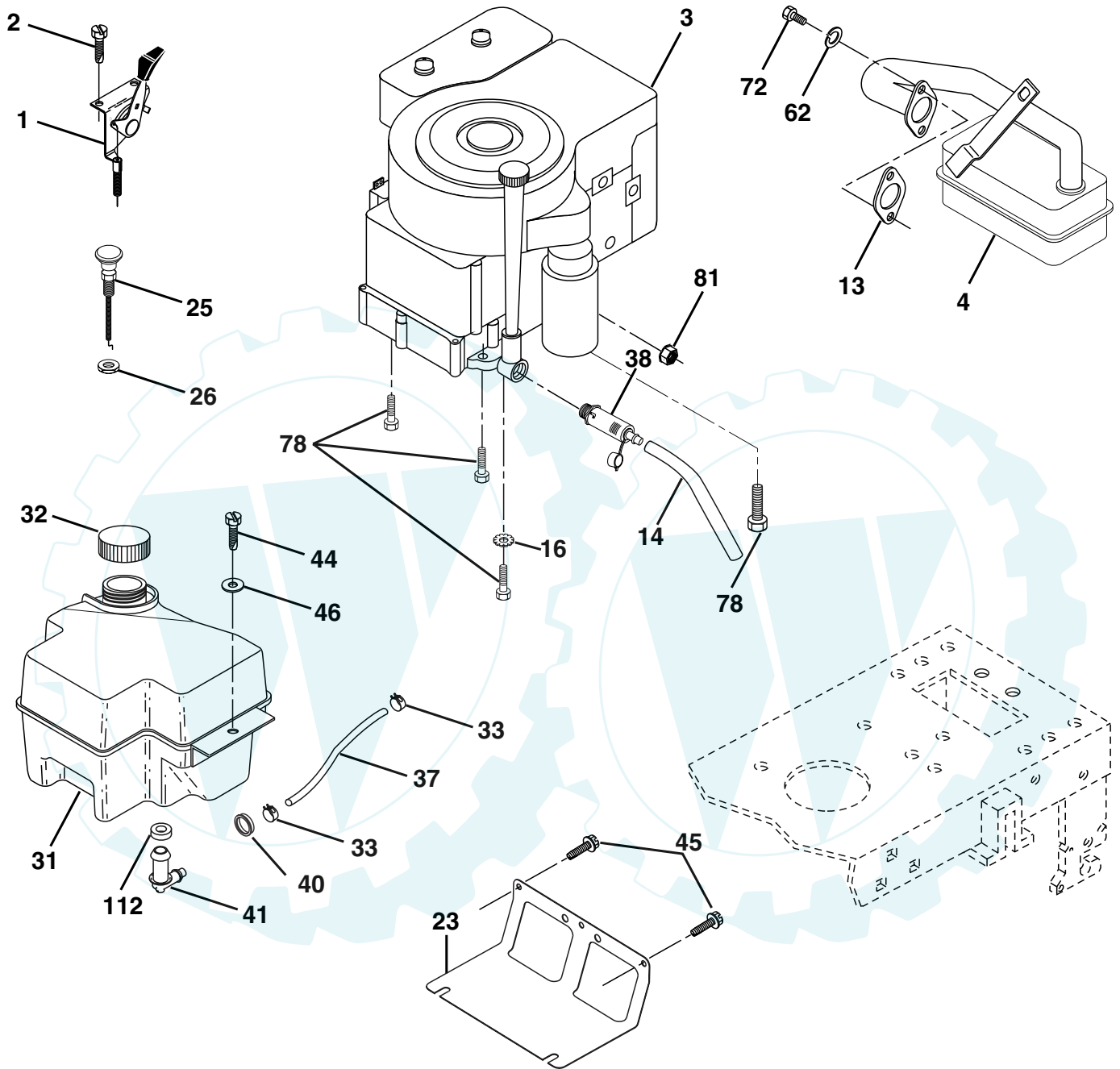
KEY NO.	PART NO.	DESCRIPTION
1	532 05 91-92	Cap Value Tire
2	532 06 51-39	Stem Value
3	532 10 62-22	Tire F Ts 15 X 6 0 - 6 Service
4	532 05 99-04	Tube Inner Front #35060
5	532 10 67-32	Rim Asm 6"front Service
6	532 00 02-78	Fitting Grease
7	532 00 90-40	Bearing Flange
8	532 10 61-08	Rim Asm 8"rear Service
9	532 12 46-35	Tire R Ts 18 x 8.5-8 Service
10	532 00 71-52	Tube Rear 9 5 X 8 Service
11	532 10 47-57	Cap Axle Blk 1 50 X 1 00
--	532 14 43-34	Sealant, Tire (10 oz. tube)

NOTE: All component dimensions given in U.S. inches
1 inch = 25.4 mm

REPAIR PARTS

www.ersatzteil-service.de

TRACTOR- - MODEL NO. RER12536G, PRODUCT NO. 954 56 50-51
ENGINE



29

OPTIONAL EQUIPMENT
Spark Arrester

REPAIR PARTS

www.ersatzteil-service.de

TRACTOR- - MODEL NO. RER12536G, PRODUCT NO. 954 56 50-51 ENGINE

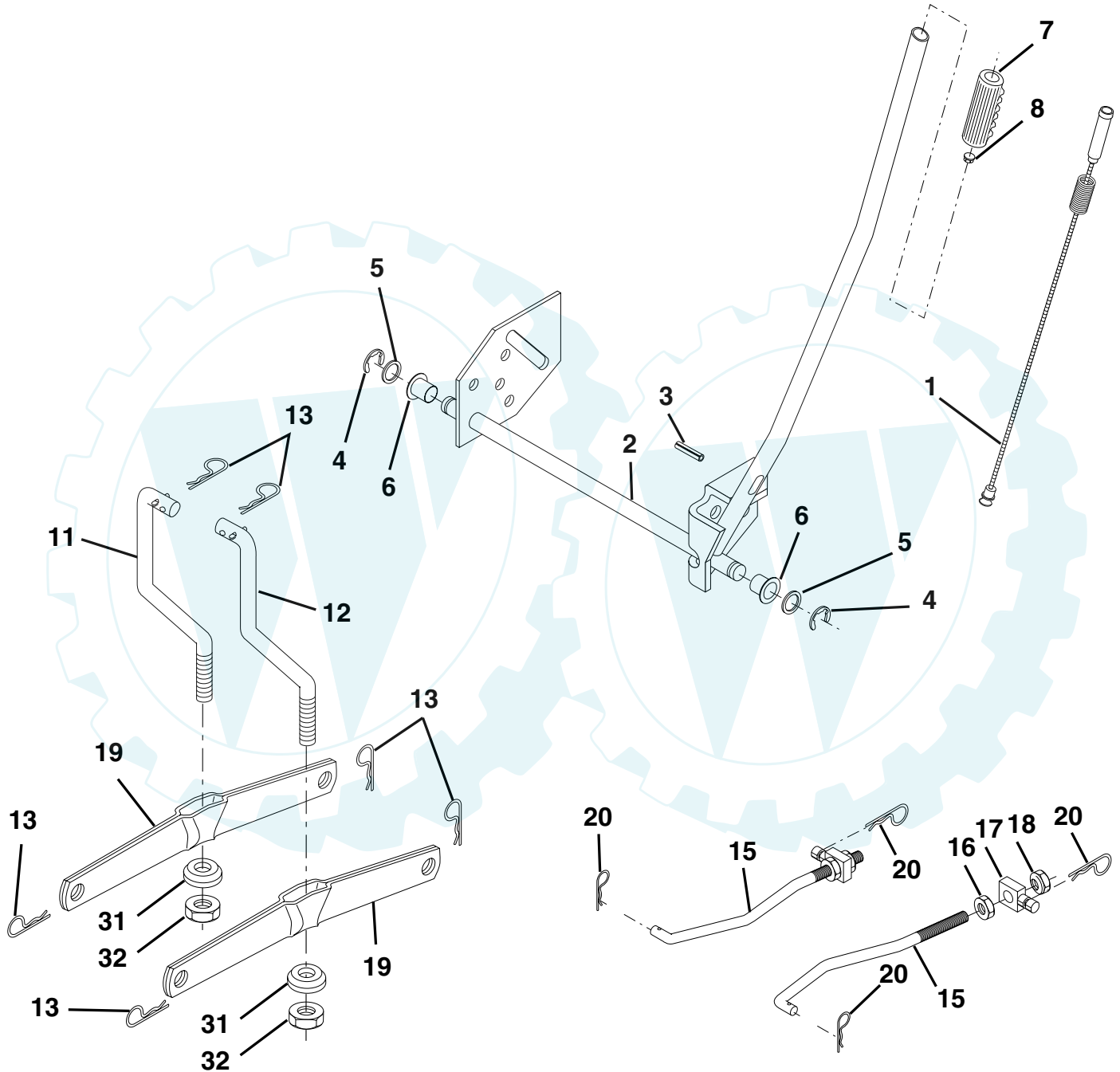
KEY NO.	PART NO.	DESCRIPTION
1	532 17 05-51	Control Throt/Ch
2	817 72 04-08	Screw Hex Thd Cut 1/4-20 x 1/2
3	-----	Engine Briggs Model 289707 (Order Parts from Engine Manufacturer)
4	532 13 73-48	Muffler Exhaust B&S Lt
13	532 16 52-91	Gasket Tin Plated
14	532 14 84-56	Tube Drain Oil Easy
16	811 05 06-00	Washer Lock Ext Tooth 3/8
23	532 16 98-37	Shield Browning/Debris Guard
25	532 18 09-45	Control Choke
26	873 92 06-00	Nut Keps 3/8-24 Unf
29	532 13 71-80	Arrestor Spark
31	532 18 06-45	Tank Fuel 2.00 Fr
32	532 14 05-27	Cap Asm Fule Top Vent N/Lany
33	532 12 34-87	Clamp Hose Blk
37	532 13 70-40	Line Fuel 20"
38	532 14 83-15	Plug Drain Oil Easy
40	532 12 40-28	Bushing Snap
41	532 13 92-77	Stem Tank Fuel
44	817 67 04-12	Screw Hexwsh Thdrol 1/4-20 x 3/4
45	817 00 06-12	Screw Hexwsh Thdr 3/8-16 x 3/4
46	819 09 14-16	Washer 9/32 X 7/8 X 16ga
62	810 04 05-00	Washer Lock Hvy Hlcl Spr 5/16
72	871 07 05-12	Screw Hexhd Cap 5/16-18 x 3/4
78	817 06 06-20	Screw 3/8-16x1-1/4
81	873 51 04-00	Nut Keps Hex 1/4-20 Unc
112	532 12 49-52	Bushing

NOTE: All component dimensions given in U.S. inches
1 inch = 25.4 mm

REPAIR PARTS

www.ersatzteil-service.de

TRACTOR- - MODEL NO. RER12536G, PRODUCT NO. 954 56 50-51
MOWER LIFT



REPAIR PARTS

www.ersatzteil-service.de

TRACTOR- - MODEL NO. RER12536G, PRODUCT NO. 954 56 50-51 MOWER LIFT

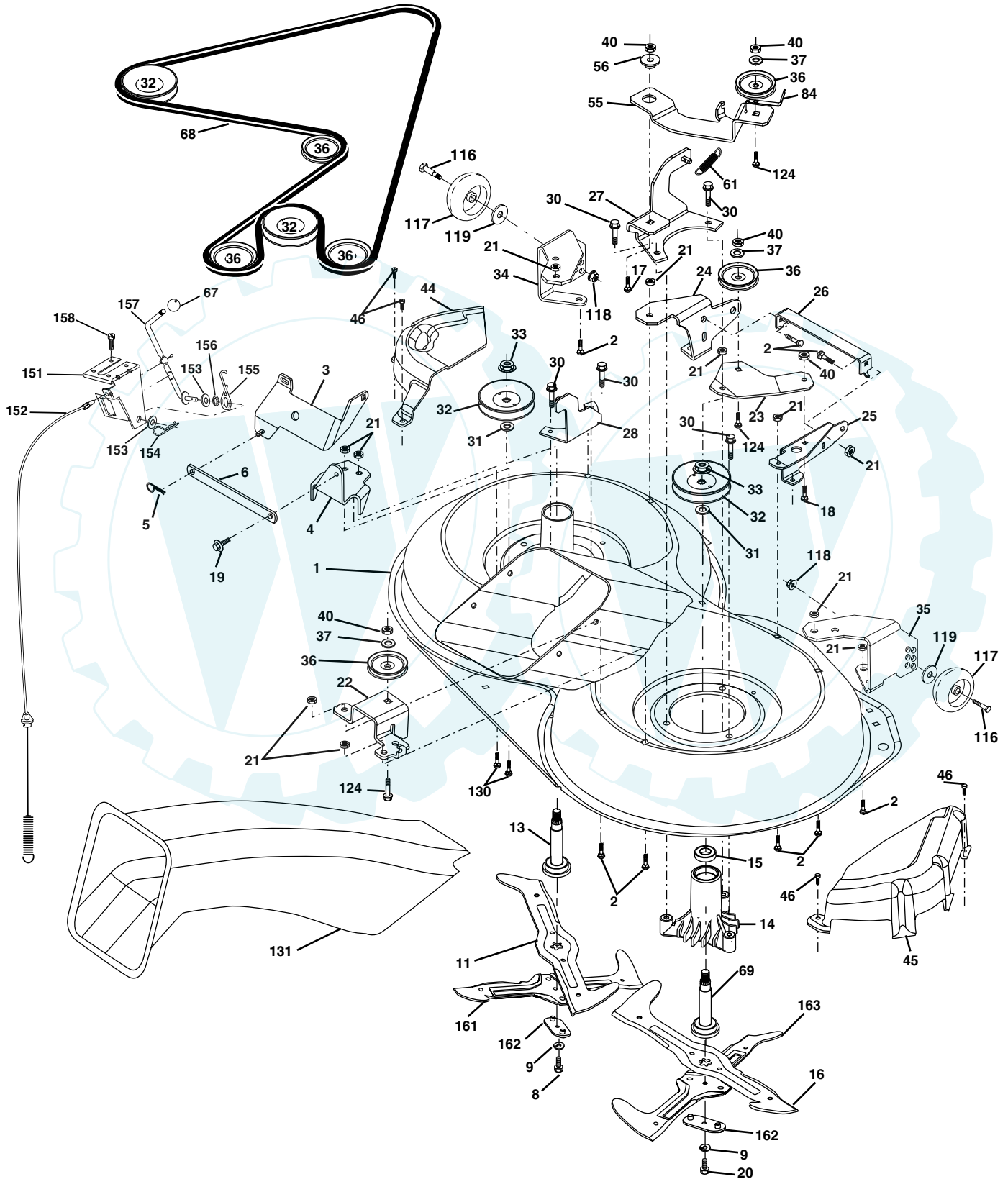
KEY NO.	PART NO.	DESCRIPTION
1	532 15 94-60	Washer Asm Inner Spring W/Plunger
2	532 15 94-71	Shaft Asm. Lift
3	532 10 57-67	Pin Groove
4	812 00 00-02	E Ring #5133-62
5	819 21 16-21	Washer 21/32 x 1 x 21 Ga.
6	532 12 01-83	Bearing Nylon
7	532 10 94-13	Grip Handle
8	532 12 45-26	Button Plunger Black
11	532 16 58-29	Link Asm Lift L.H.
12	532 16 58-31	Link Asm Lift R.H.
13	532 12 46-70	Retainer Spring
15	532 17 32-88	Link Front
16	873 35 08-00	Nut Jam Hex 1/2-13 Unc
17	532 17 56-89	Trunnion Blk Zinc
18	873 80 08-00	Nut Lock w/Wsh 1/2-13 Unc
19	532 13 98-68	Arm Suspension Mower
20	532 16 35-52	Retainer Spring
31	532 16 98-65	Bearing, Pvt. Lift
32	873 54 06-00	Nut Crownlock 3/8-24

NOTE: All component dimensions given in U.S. inches
1 inch = 25.4 mm

REPAIR PARTS

www.ersatzteil-service.de

TRACTOR- - MODEL NO. RER12536G, PRODUCT NO. 954 56 50-51
MOWER



REPAIR PARTS

www.ersatzteil-service.de

TRACTOR- - MODEL NO. RER12536G, PRODUCT NO. 954 56 50-51 MOWER

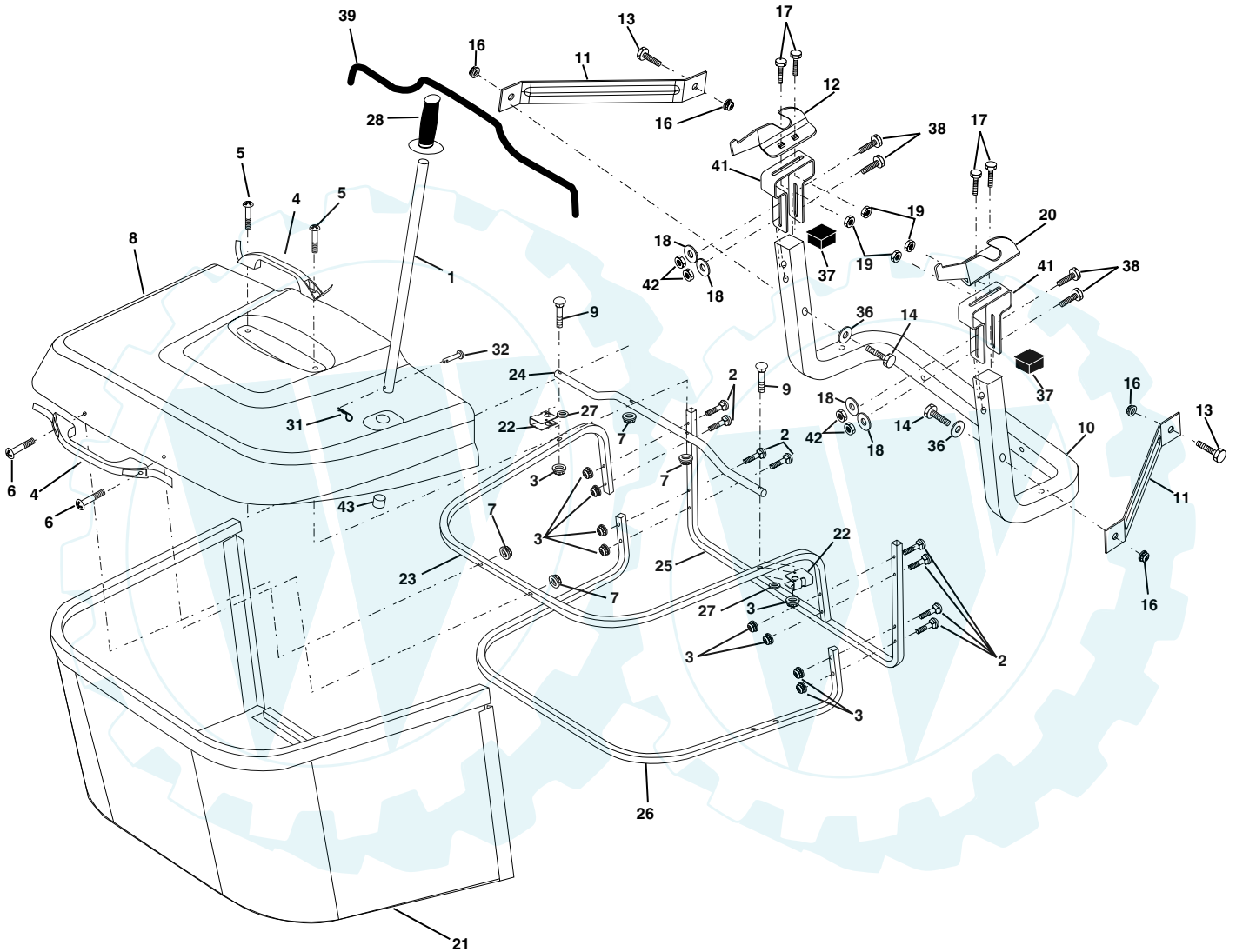
KEY NO.	PART NO.	DESCRIPTION	KEY NO.	PART NO.	DESCRIPTION
1	532 16 55-52	Housing Asm. Mower 92 CRD	45	532 17 55-39	Cover Mandrel Rh 92 CRD
2	872 14 05-06	Bolt Rdhd Sqnk 5/16-18 Unc x 3/4	46	532 13 77-29	Screw Thd Roll 1/4-20 x 5/8
3	532 16 55-69	Bracket Asm. S-Bar Chass 92 CRD	55	532 16 54-45	Arm Idler 92 CRD
4	532 16 55-58	Bracket Bar Sway Deck 92 CRD	56	532 16 57-23	Spacer Retainer Mower
5	532 12 46-70	Retainer Spring	61	532 16 59-45	Spring Tension Belt
6	532 16 55-57	Bar Sway 92 CRD	67	532 10 69-32	Knob Rd 3/8-16 Plstdc Thds Blk
8	532 18 17-12	Bolt 3/8-24 x 1.25 Gr8 Patched	68	532 18 02-17	Hex-Belt 92 Mower
9	810 03 06-00	Washer Lock Hvy 3/8 Unplated	69	532 16 54-82	Shaft Asm W/Lwr Brg Rh Thd CRD
10	532 14 02-96	Washer Hard Blade Mower vented	84	532 15 60-85	Keeper Belt Idler
11	532 17 00-37	Blade 3-1 Lh 92 CRD	116	532 13 76-44	Bolt Shoulder
13	532 13 76-45	Shaft Asm. W/Lower Bearing	117	532 13 39-57	Wheel Gage Donut Wide
14	532 12 87-74	Housing Mandrel Vented (Machd)	118	873 93 06-00	Nut Centerlock 3/8-16 Unc
15	532 11 04-85	Bearing Ball Mandrel	119	819 12 14-14	Washer 3/8 x 7/8 x 14 Ga.
16	532 17 00-38	Blade 3-1 Rh 92 CRD	124	872 11 06-12	Bolt Carr Sh 3/8-16 x 1-1/2 Gr5
17	872 14 06-10	Bolt Carriage 3/8-16 x 1-1/4	130	872 11 05-06	Bolt Rdhdsqnk 5/16-18 Unc x 3/4
18	872 11 06-08	Bolt Rdhd Sqnk 3/8-16 x 1 Gr5	131	532 16 56-61	Chute Bagger CRD 92cm
19	532 13 28-27	Bolt Shoulder 5/16-18 Thd Form	151	532 16 96-70	Bracket Clutch Cable
20	532 18 17-13	Bolt 3/8-24 x 1.25 Gr8 Ptch Lhthd	152	532 17 60-74	Cable Clutch CRD Service
21	873 68 05-00	Nut Crown Lock 5/16-18	153	532 16 96-74	Washer Flat 3/8" Type B
22	532 16 52-43	Bracket Idler Sprt RR 92 CRD	154	532 16 96-75	Spring Retainer
23	532 16 54-46	Bracket Idler Sprt RF 92 CRD	155	532 16 96-71	Spring Retention Lvr Clutch Cable
24	532 16 52-42	Bracket Suspension LF 92 CRD	156	532 16 96-72	Spacer Clutch Cable
25	532 16 52-44	Bracket Suspension RF 92 CRD	157	532 16 96-69	Rod Clutch Cable 3/8"
26	532 16 52-37	Brace Support Susp Frt CRD	158	817 72 04-08	Screw Thd Cut 1/4-20 x 1/2
27	532 16 55-68	Bracket Asm. Susp RR 92 CRD	161	532 18 04-18	Blade Cross LH
28	532 16 55-67	Bracket Asm. Susp LR 92 CRD	162	532 18 04-20	Adapter Blade Cross
30	532 17 39-84	Screw Thd Rolling Washer Head	163	532 18 04-19	Blade Cross RH
31	532 12 99-63	Washer Spacer Mower Vented	--	532 18 18-57	Mandrel Asm Service (Includes Housing, Shaft and Shaft Hardware Only - Pulley Not Included)
32	532 15 35-31	Mandrel Pulleys 36 & 46	--	532 18 18-58	Mandrel Asm CRD Lh Threads SVC
33	532 17 83-42	Nut Flg Top Lock Cntr B 9/16	--	532 18 17-65	Replacement Mower Complete
34	532 16 52-39	Bracket Gauge Wheel Lf 92 CRD			
35	532 16 52-38	Bracket Gauge Wheel Rf 92 CRD			
36	532 14 67-63	Pulley Idler V-Groove Dim 4.25			
37	819 13 13-16	Washer 11/32 x 13/16 x 16 Ga			
40	873 68 06-00	Nut Crownlock 3/8-16 Unc			
44	532 17 55-38	Cover Mandrel Lh 92 CRD			

NOTE: All component dimensions given in U.S. inches
1 inch = 25.4 mm

REPAIR PARTS

www.ersatzteil-service.de

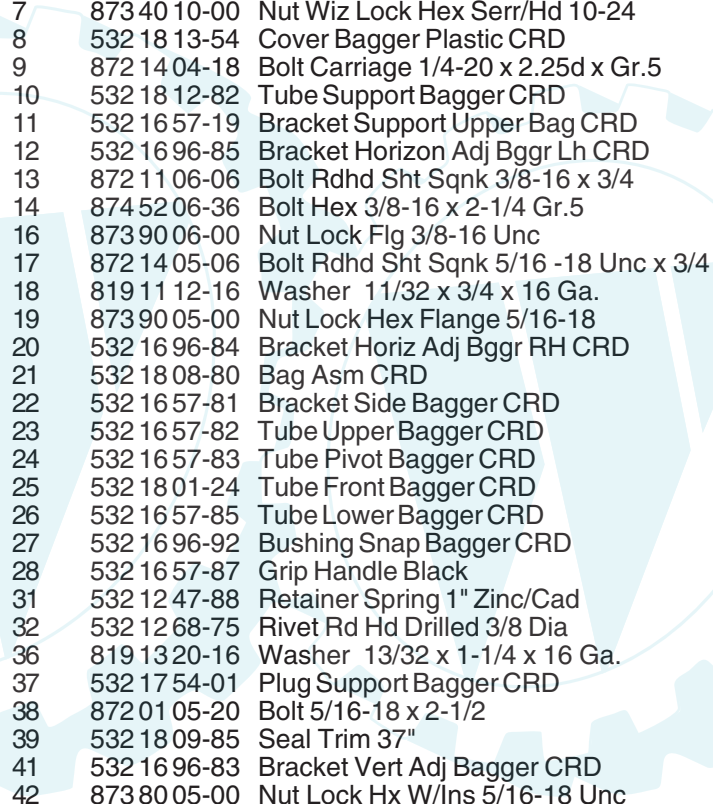
TRACTOR- - MODEL NO. RER12536G, PRODUCT NO. 954 56 50-51
BAGGER



REPAIR PARTS

www.ersatzteil-service.de

TRACTOR- - MODEL NO. RER12536G, PRODUCT NO. 954 56 50-51 BAGGER



KEY NO.	PART NO.	DESCRIPTION
1	532 16 52-49	Tube Handle Bagger CRD
2	872 14 04-16	Bolt Carriage 1/4-20 x 2.0 Gr.5
3	532 12 39-76	Nut Lock 1/4 Lge Flg Gr. 5 Zinc
4	532 16 99-16	Handle Bagger w/Lvrs Blk CRD
5	874 98 10-24	Screw Pan Head #10-24 x 1.50 Blk
6	874 98 10-32	Screw Pan Hd
7	873 40 10-00	Nut Wiz Lock Hex Serr/Hd 10-24
8	532 18 13-54	Cover Bagger Plastic CRD
9	872 14 04-18	Bolt Carriage 1/4-20 x 2.25d x Gr.5
10	532 18 12-82	Tube Support Bagger CRD
11	532 16 57-19	Bracket Support Upper Bag CRD
12	532 16 96-85	Bracket Horizon Adj Bggr Lh CRD
13	872 11 06-06	Bolt Rdhd Sht Sqnk 3/8-16 x 3/4
14	874 52 06-36	Bolt Hex 3/8-16 x 2-1/4 Gr.5
16	873 90 06-00	Nut Lock Flg 3/8-16 Unc
17	872 14 05-06	Bolt Rdhd Sht Sqnk 5/16 -18 Unc x 3/4
18	819 11 12-16	Washer 11/32 x 3/4 x 16 Ga.
19	873 90 05-00	Nut Lock Hex Flange 5/16-18
20	532 16 96-84	Bracket Horiz Adj Bggr RH CRD
21	532 18 08-80	Bag Asm CRD
22	532 16 57-81	Bracket Side Bagger CRD
23	532 16 57-82	Tube Upper Bagger CRD
24	532 16 57-83	Tube Pivot Bagger CRD
25	532 18 01-24	Tube Front Bagger CRD
26	532 16 57-85	Tube Lower Bagger CRD
27	532 16 96-92	Bushing Snap Bagger CRD
28	532 16 57-87	Grip Handle Black
31	532 12 47-88	Retainer Spring 1" Zinc/Cad
32	532 12 68-75	Rivet Rd Hd Drilled 3/8 Dia
36	819 13 20-16	Washer 13/32 x 1-1/4 x 16 Ga.
37	532 17 54-01	Plug Support Bagger CRD
38	872 01 05-20	Bolt 5/16-18 x 2-1/2
39	532 18 09-85	Seal Trim 37"
41	532 16 96-83	Bracket Vert Adj Bagger CRD
42	873 80 05-00	Nut Lock Hx W/Ins 5/16-18 Unc
43	532 17 40-83	Plug Tubing End

NOTE: All component dimensions given in U.S. inches
1 inch = 25.4 mm