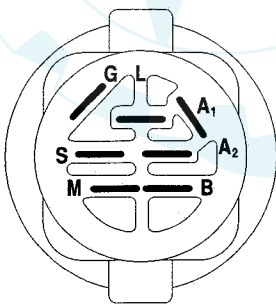
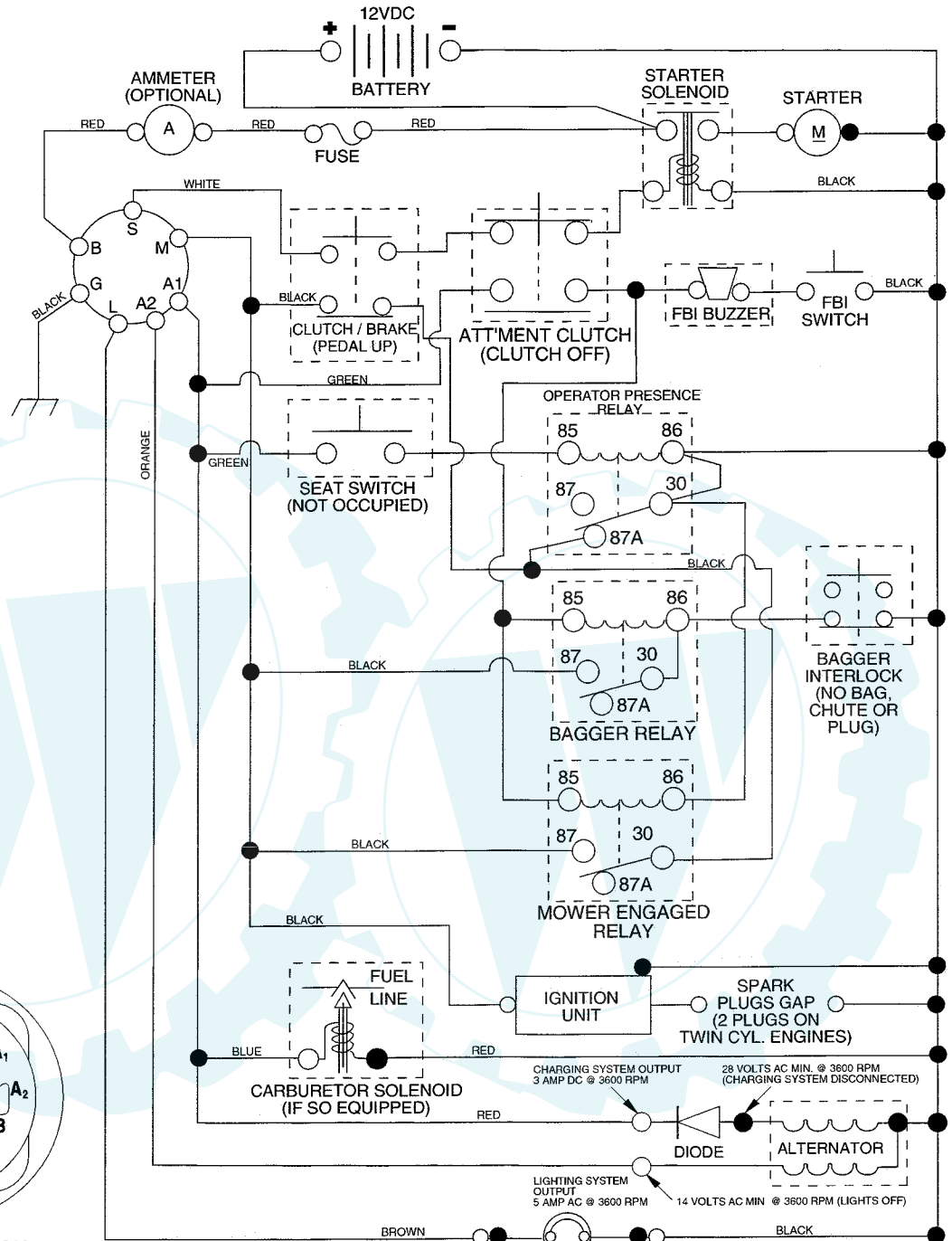


# TRACTOR- -MODEL NO. RE145HCRD (REQ145HCRDA)

## SCHEMATIC



**IGNITION SWITCH**

POSITION	CIRCUIT	"MAKE"
OFF	M+G+A1	NONE
RUN/LIGHT	B+A1	A2+L
RUN	B+A1	NONE
START	B+S+A1	NONE

**WIRING INSULATED CLIPS**  
**NOTE:** IF WIRING INSULATED CLIPS WERE REMOVED FOR SERVICING OF UNIT, THEY SHOULD BE REPLACED TO PROPERLY SECURE YOUR WIRING.

●  
 NON-REMOVABLE CONNECTIONS

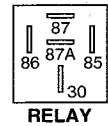
○  
 REMOVABLE CONNECTIONS

**PTO SWITCH**

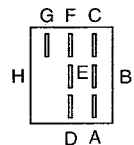
POSITION	CIRCUIT
OFF	C + G, B + H
ON	C + F, B + E, A + D

**HEADLIGHTS**

**NOTE**  
 YOUR TRACTOR IS EQUIPPED WITH A SPECIAL ALTERNATOR SYSTEM. THE LIGHTS ARE NOT CONNECTED TO THE BATTERY, BUT HAVE THEIR OWN ELECTRICAL SOURCE. BECAUSE OF THIS, THE BRIGHTNESS OF THE LIGHTS WILL CHANGE WITH ENGINE SPEED. AT IDLE THE LIGHTS WILL DIM. AS THE ENGINE IS SPEEDED UP, THE LIGHTS WILL BECOME THEIR BRIGHTEST.



**RELAY**

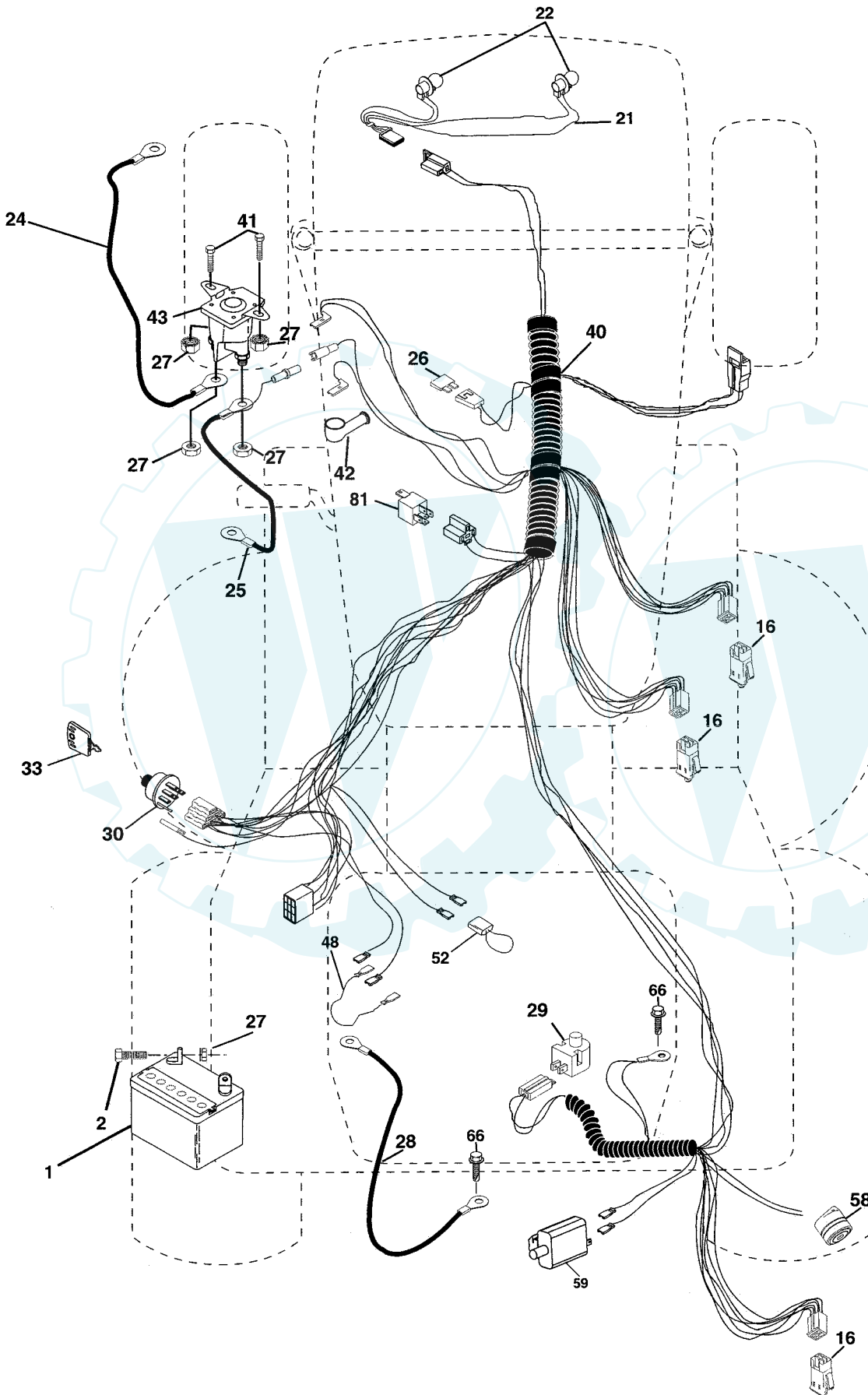


# REPAIR PARTS

[www.ersatzteil-service.de](http://www.ersatzteil-service.de)

TRACTOR- -MODEL NO. RE145HCRD (REQ145HCRDA)

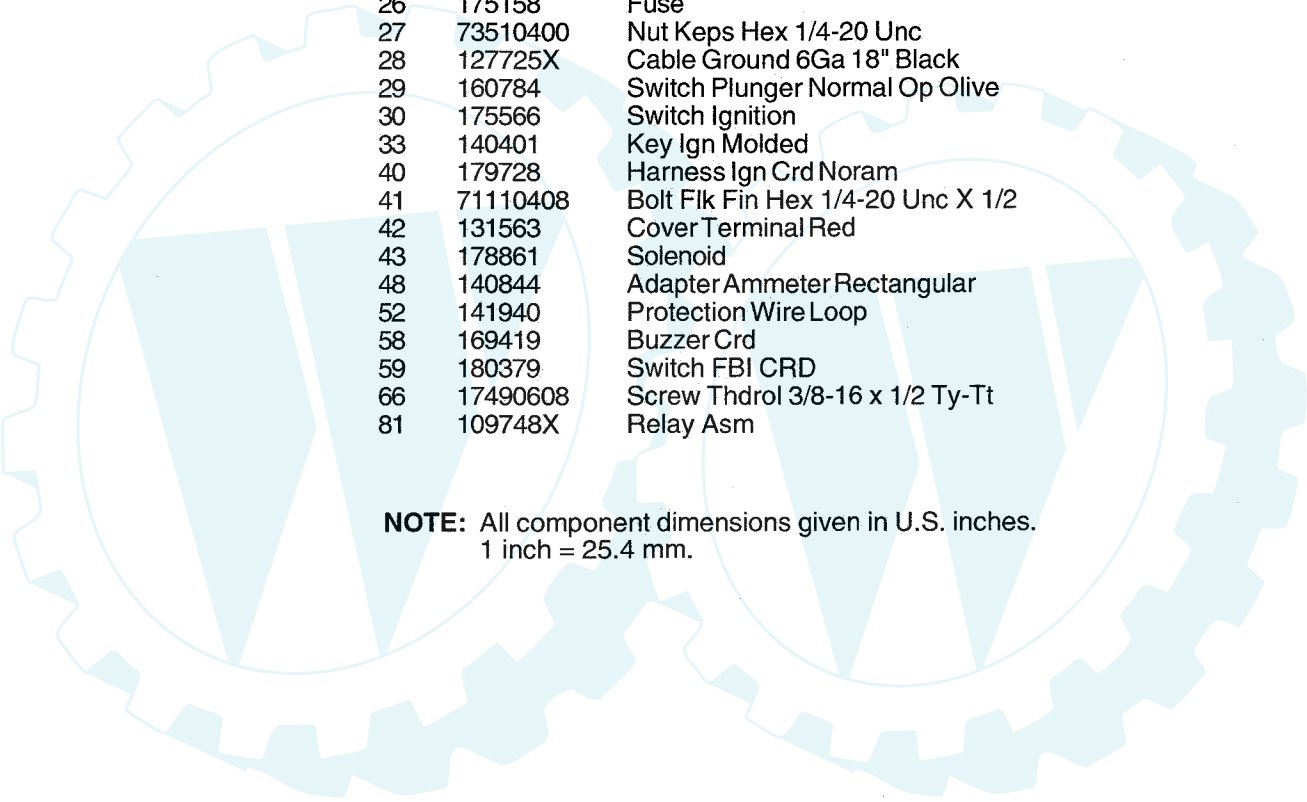
## ELECTRICAL



# REPAIR PARTS

## TRACTOR- -MODEL NO. RE145HCRD (REQ145HCRDA)

### ELECTRICAL



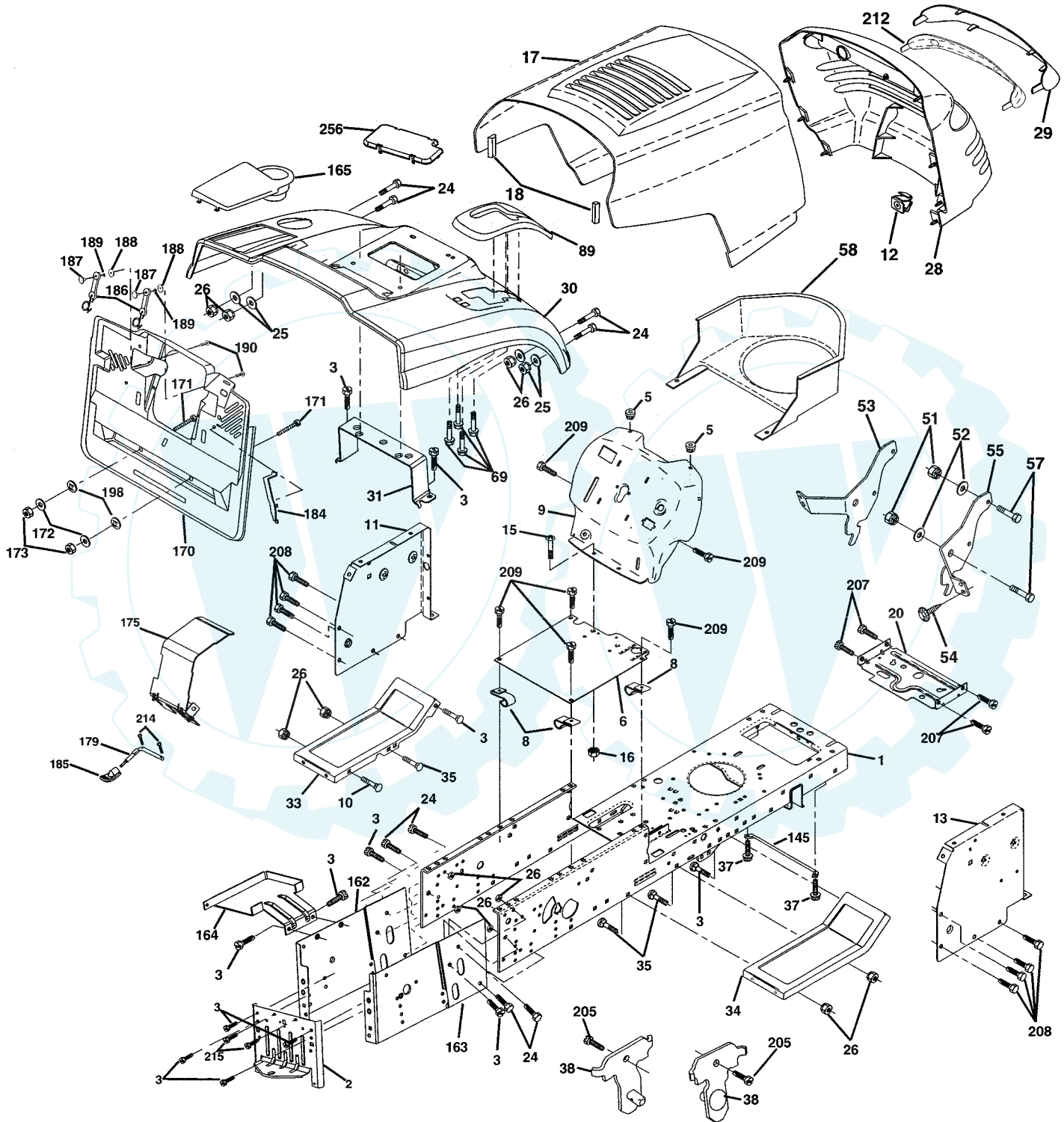
KEY NO.	PART NO.	DESCRIPTION
1	163465	Battery
2	74760412	Bolt Hex Hd 1/4-20 Unc X 3/4
16	176138	Switch Interlock
21	175688	Harness Asm Light W/4152J
22	4152J	Bulb Light #1156
24	4799J	Cable Battery
25	165987	Cable Battery Crd 56" Red
26	175158	Fuse
27	73510400	Nut Keps Hex 1/4-20 Unc
28	127725X	Cable Ground 6Ga 18" Black
29	160784	Switch Plunger Normal Op Olive
30	175566	Switch Ignition
33	140401	Key Ign Molded
40	179728	Harness Ign Crd Noram
41	71110408	Bolt Fik Fin Hex 1/4-20 Unc X 1/2
42	131563	Cover Terminal Red
43	178861	Solenoid
48	140844	Adapter Ammeter Rectangular
52	141940	Protection Wire Loop
58	169419	Buzzer Crd
59	180379	Switch FBI CRD
66	17490608	Screw Thdrol 3/8-16 x 1/2 Ty-Tt
81	109748X	Relay Asm

**NOTE:** All component dimensions given in U.S. inches.  
1 inch = 25.4 mm.

# REPAIR PARTS

## TRACTOR- -MODEL NO. RE145HCRD (REQ145HCRDA)

### CHASSIS AND ENCLOSURES



# REPAIR PARTS

## TRACTOR- -MODEL NO. RE145HCRD (REQ145HCRDA)

### CHASSIS AND ENCLOSURES

KEY NO.	PART NO.	DESCRIPTION	KEY NO.	PART NO.	DESCRIPTION
1	174620	Chassis	58	150127	Duct Air Engine
2	180384	Drawbar	69	142432	Screw Hex Wsh
3	17060612	Screw 3/8-16 x 3/4	89	177288X428	Console
5	155272	Bumper Hood/Dash	145	156524	Rod Pivot Chassis/Hood
6	155923	Saddle	162	180382	Bracket Exten Chassis Lh CRD
8	126471X	Clip Insulator 13/32 Mtg. Hole	163	180383	Bracket Exten Chassis Rh CRD
9	168347X011	Dash	164	165605	Support Battery CRD
10	72140608	Bolt, Carriage 3/8-16 x 3/4	165	179020X428	Cover Battery
11	155927	Panel, Dash, L.H.	170	178862	Backplate Asm CRD
12	145660	Clip Timmerman	171	72140620	Bolt Rdhd Sqnk 3/8-16 x 2-1/2 Gr. 5
13	172107X010	Panel, Asm. Dash R.H.	172	19132016	Washer 13/32 x 1-1/4 x 16 Ga.
15	74180512	Screw, Machine, Truss Head 5/16-18 UNC x 3/4	173	73510600	Nut, Keps Hex 3/8-16 UNC
16	73510500	Nut	175	180310	Guard Trap
17	159639X505	Hood	179	180376	Rod Pivot FBI CRD
18	126938X	Bumper Hood	184	174662	Bracket Actuator Bagger CRD
20	180679	Plate Mtg Battery/Fuel	185	179608X505	Knob Rod Brake Parking
24	74780616	Boit	186	160793	Latch Asm Mulch/Bagger
25	19131312	Washer 13/32 x 13/16 x 12 Gauge	187	2029J	Nut Weld
26	73800600	Nut	188	19061216	Washer #10
28	179101	Grille /Lens Asm	189	10071000	Washer Lock #10
29	140273X599	Lens, Grille	190	71081010	Screw Pan Hd Phillip 10-24 x 5/8
30	169962X505	Fender	198	168937	Nut, Push
31	165156	Bracket, Fender Support	205	17490608	Screw Thdrol 3/8-16 x 1/2
33	179716X505	Footrest, L.H.	207	17670508	Screw Thdrol 5/16-18 x 1/2
34	179717X505	Footrest, R.H.	208	17670608	Screw Thdrol 3/8-16 x 1/2
35	72110606	Bolt	209	17000612	Screw Hex Wsh Thdrol 3/8-16
37	17490508	Screw Thdrol 5/16-18 x 1/2 TYT	212	156229	Insert Lens Reflective
38	175710	Bracket Asm Pivot Mower Rear	214	4497H	Retainer Spring
51	73800400	Nut Lock w/Ins. 1/4-20	215	17060508	Screw 5/16-18 x 1/2
52	19091416	Washer 9/32 x 7/8 x 16 Ga.	256	180810	Cover Fender Rack CRD
53	144697	Bracket Grille LH	--	5479J	Plug, Button
54	161464	Screw Hex Wshd 8/18 x 7/8			
55	144696	Bracket Grille RH			
57	74780412	Bolt fin Hex 1/4-20 x 3/4			

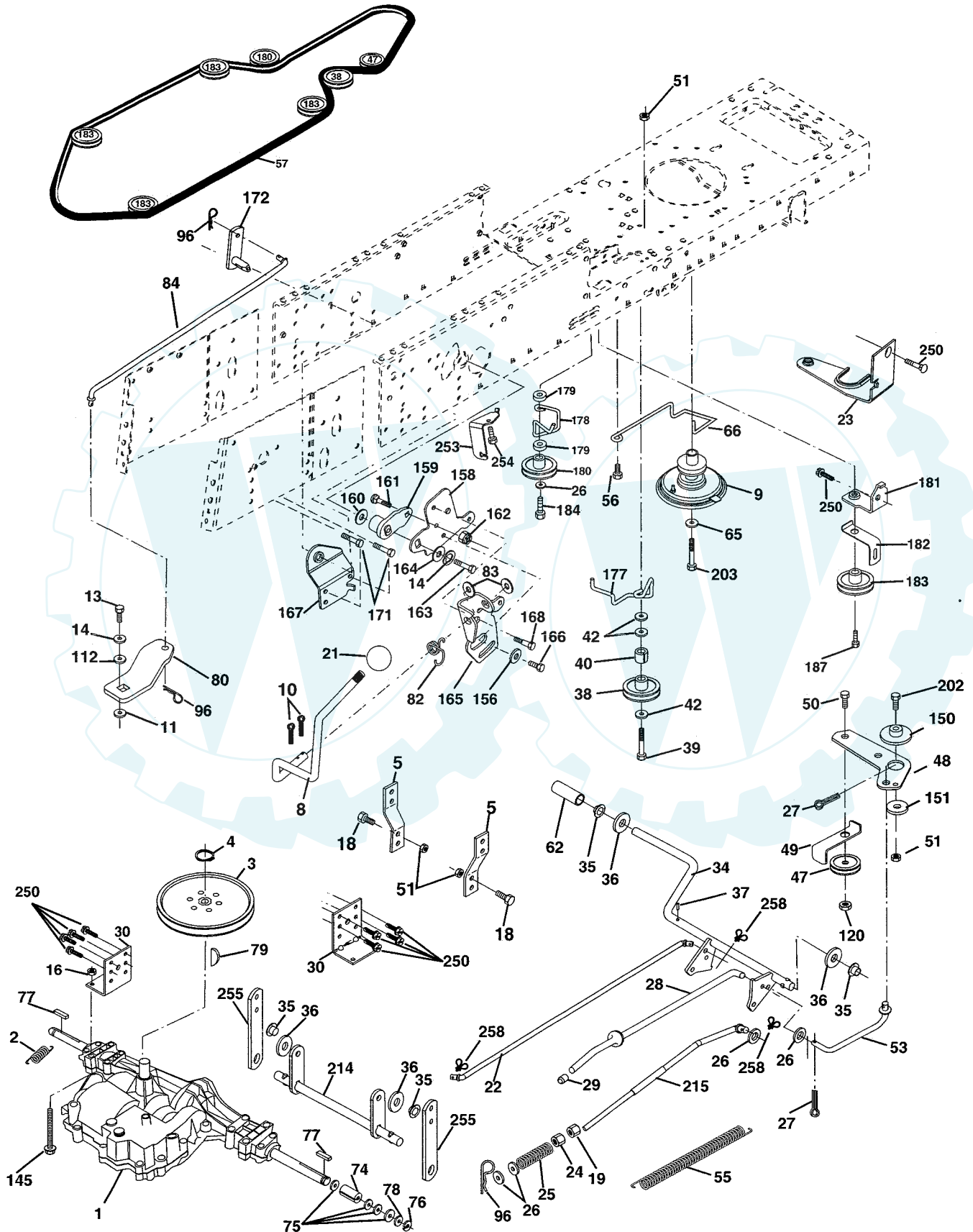
**NOTE:** All component dimensions given in U.S. inches.  
1 inch = 25.4 mm.

# REPAIR PARTS

[www.ersatzteil-service.de](http://www.ersatzteil-service.de)

## TRACTOR- -MODEL NO. RE145HCRD (REQ145HCRDA)

### DRIVE



# REPAIR PARTS

## TRACTOR- -MODEL NO. RE145HCRD (REQ145HCRDA)

### DRIVE

KEY NO.	PART NO.	DESCRIPTION	KEY NO.	PART NO.	DESCRIPTION
1	-----	Transaxle Peerless 206-546 (Order parts from transaxle manufacturer)	77	123583X	Key, Square
2	146682	Spring Brake Return	78	121748X	Washer 25/32 x 1-5/8 x 16 Ga.
3	165999	Pulley Transaxle	79	2228M	Key Woodruff
4	12000028	Ring Retainer #5100-62	80	145090	Arm Shift PMST 20" Tires
5	121520X	Strap torque 30 degrees	82	165711	Spring, Torsion
8	165619	Rod Shift Fender Adjust Lt	83	19171216	Washer 17/32 x 3/4 x 16 Ga.
9	170163	Clutch Asm Noram	84	165621	Link Shift CRD Pmst 18" Tires
10	76020416	Pin, Cotter 1/8 x 1	96	4497H	Spring, Retainer 1"
11	105701X	Washer Plate Shf .3888 sq hole	112	19091210	Washer 9/32 x 3/4 x 10 Ga.
13	74550412	Bolt 1/4-28 Unf Gr 8 w/patch	120	73900600	Nut Lock Flg. 3/8-16 UNC
14	10040400	Washer, Lock Hvy Helical	145	74490540	Bolt Hex FGHD 5/16-18 x Gr 5
16	73800500	Nut, Lock Hex w/lms 5/16-18 UNC	150	165850	Bushing, Bellcrank Grnd Dr
18	74780616	Bolt Hex 3/8-16 UNC x 1 Gr.5	151	19133210	Washer 13/32 x 2 x 10 Ga.
19	73800600	Nut, Lock Hex w/Wsh 3/8-16 UNC	156	166002	Washer Srrd 5/16 ID x 1.125
21	106933X	Knob Rd 1/2-13 Pistc Thds Blk	158	165589	Bracket Shift Mount
22	175607	Rod, Brake CRD	159	165494	Hub Tapered Flange Shift Lt
23	180302	Bracket Pnt Clutch Noram	160	19292016	Washer 29/32 x 1-1/4 x 16 Ga.
24	73350600	Nut	161	72140406	Bolt Rdhd Sqnk 1/4-20 x 3/4 Gr 5
25	106888X	Spring, Rod, Brake	162	73680400	Nut Crownlock 1/4-20 Unc
26	19131316	Washer 13/32 x 13/16 x 16 Ga.	163	74780416	Bolt Hex Fin 1/4-20 Unc x 1 Gr 5
27	76020412	Pin, Cotter 1/8 x 3/4	164	19091010	Washer 5/8 x .281 x 10 Ga.
28	175765	Rod, Parking Brake	165	165623	Bracket Pivot Lever
29	71673	Cap, Parking Brake	166	166880	Screw 5/16-18 x 5/8
30	174973	Bracket, Mfg. Transaxle	167	165588	Bracket Support Shift CRD
34	175578	Shaft, Asm Pedal Foot	168	165492	Bolt Shoulder 5/16-18 x .561
35	120183X	Bearing, Nylon	171	17490608	Screw Thdrol 3/8-16 x 1/2 Ty-Tt
36	19211616	Washer 21/32 x 1 x 16 Ga.	172	165635	Shaft Asm Shift Front CRD PMST
37	1572H	Pin, Roll 3/16 x 1"	177	165932	Keeper Flat Idler 3.06" CRD
38	165936	Pulley, Flat	178	165933	Keeper Belt Idler 1.88" CRD
39	74760644	Bolt Fin Hex 3/8-16 Unc x 2-3/4	179	120958X	Washer Sintered
40	4470J	Spacer, Split 395 x 59 Bzp	180	165630	Pulley Flat Idler
42	19131312	Washer 13/32 x 13/16 x 12 Ga.	181	180211	Bracket Idler Ground Drive CRD
47	127783	Pulley, Idler, V Groove Plasic	182	165634	Keeper Belt 2.5" Od V-Idler CRD
48	154407	Bellcrank Clutch Grnd Drv	183	179050	Pulley V-Idler
49	123205X	Retainer, Belt Style Spring	184	17490644	Screw Hexwsh Thdrol 3/8-16 x 2-3/4
50	74760624	Bolt Hex Hd 3/8-16 UNC x 1-1/2	187	17580520	Screw thdrol 5/16-18 x 1-1/4
51	73680600	Nut, Crownlock 3/8-16 UNC	202	72110612	Bolt Carr Sh 3/8-16 x 1-1/2 Gr. 5
53	105710X	Link, Clutch 7.66	203	71170780	Bolt Hex 7/16-20 x 5
55	105709X	Spring, Return, Clutch	214	175609	Shaft Asm Blade
56	17060620	Screw 3/8-16 x 1-1/4	215	175651	Rod Brake Secondary
57	165631	V-Belt Kev PMST CRD	250	17060612	Screw 3/8-16 x .75
62	8883R	Cover, Pedal	253	175028	Bracket Cable Chassis
65	10040700	Washer	254	17060616	Screw 3/8-16 x 1
66	154778	Keeper, Belt Engine F-Proof	255	175608	Brace Shaft Brake Mtg.
74	137057	Spacer Axle	258	178062	Clip Retainer
75	121749X	Washer 25/32 x 1-1/4 x 16 Ga.			
76	12000001	Ring, E			

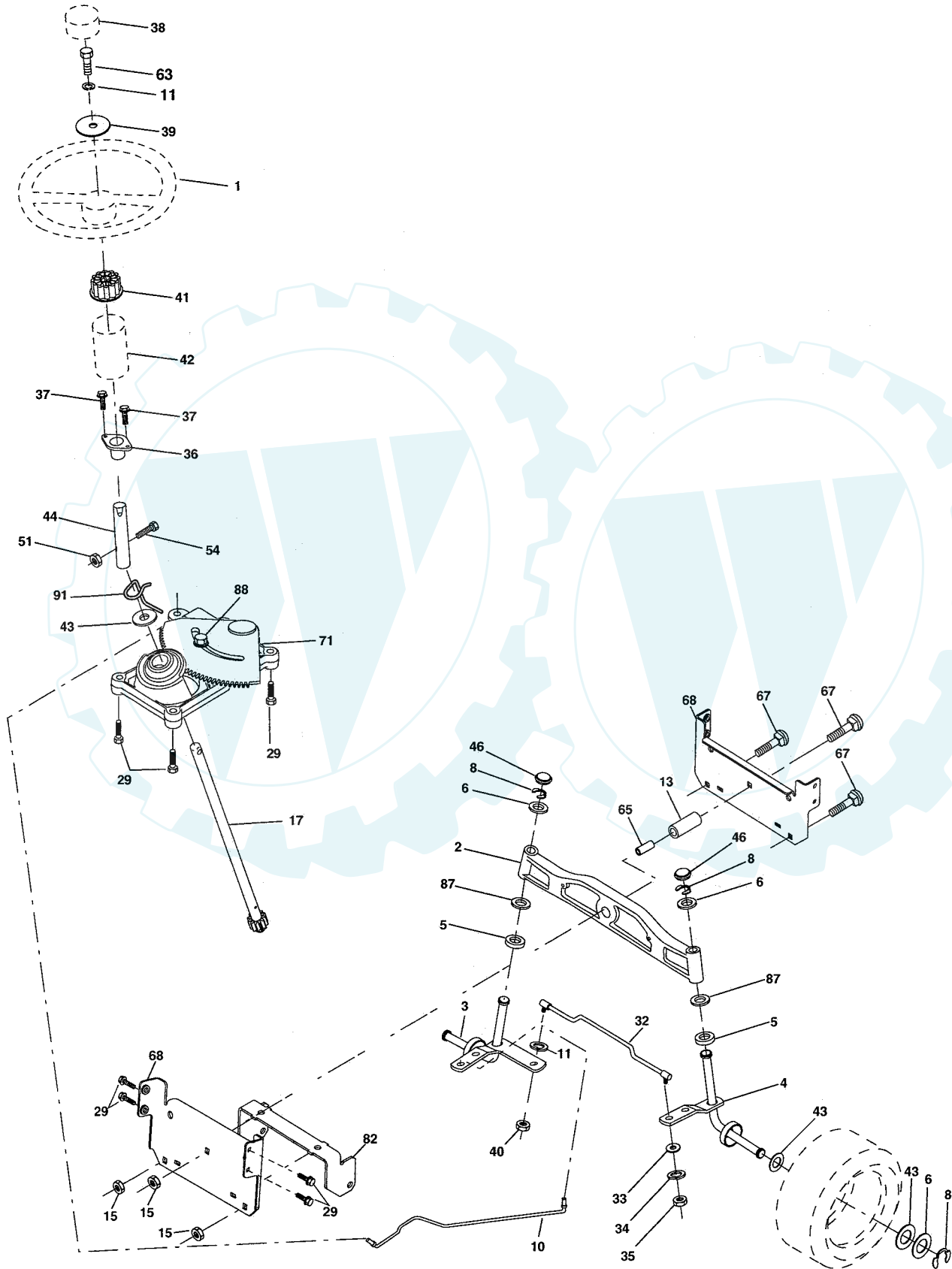
**NOTE:** All component dimensions given in U.S. inches  
1 inch = 25.4 mm

# REPAIR PARTS

[www.ersatzteil-service.de](http://www.ersatzteil-service.de)

## TRACTOR- -MODEL NO. RE145HCRD (REQ145HCRDA)

### STEERING ASSEMBLY





# REPAIR PARTS

[www.ersatzteil-service.de](http://www.ersatzteil-service.de)

## TRACTOR- -MODEL NO. RE145HCRD (REQ145HCRDA) STEERING ASSEMBLY

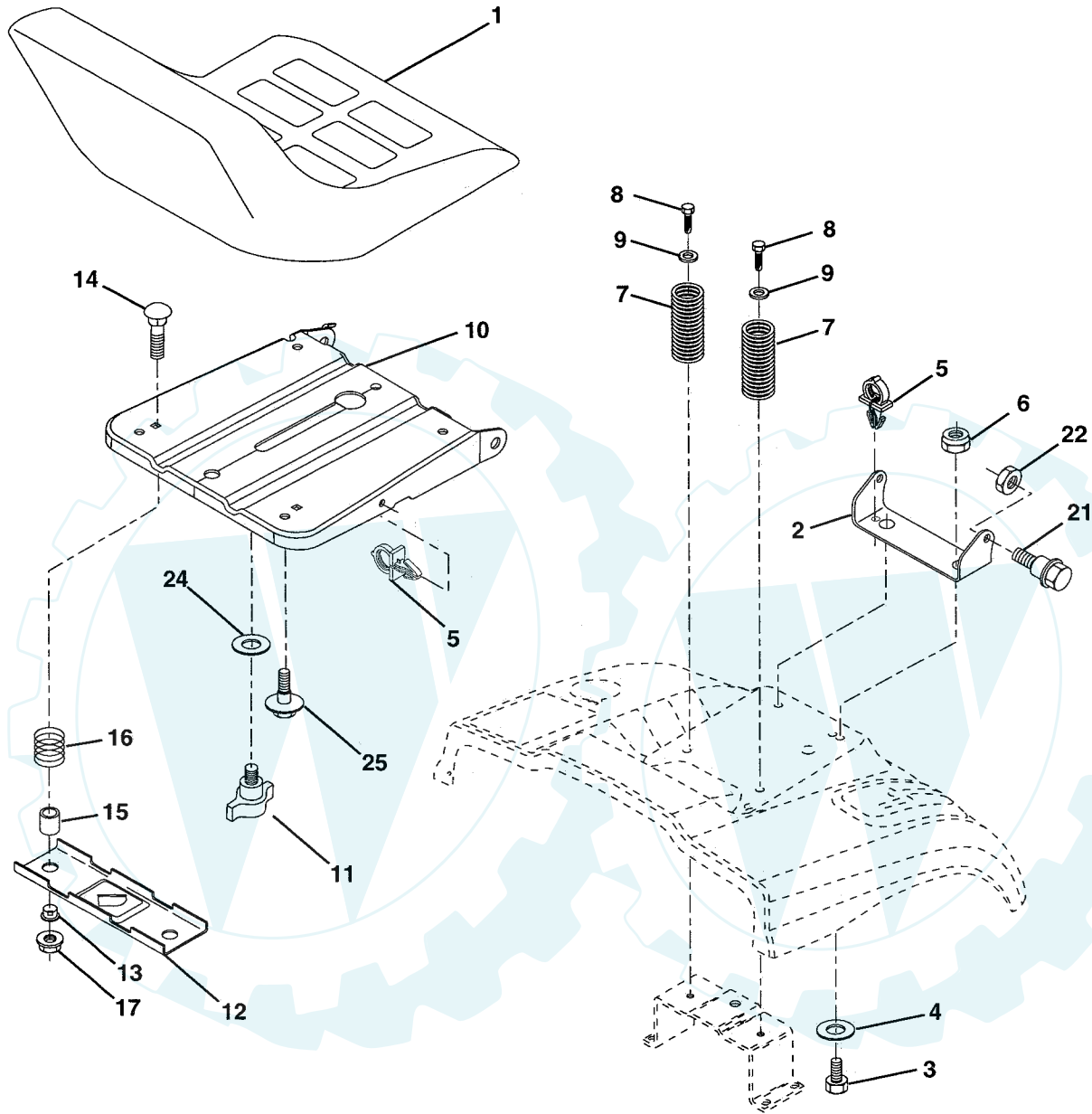
KEY NO.	PART NO.	DESCRIPTION
1	139768	Steering Wheel
2	172393	Axle Asm Cast Iron Lt
3	169840	Spindle Assembly, L.H.
4	169839	Spindle Assembly, R.H.
5	6266H	Washer, Thrust .75 x 1.230
6	121748X	Washer 25/32 x 1-5/8 x 16 Gauge
8	12000029	Ring, Klip
10	175121	Link, Drag
11	10040600	Washer, Lock
13	136518	Spacer Brg Axle Front
15	145212	Nut, Hex Flange Lock
17	177876	Shaft Assembly, Steering
29	17060612	Screw 3/8-16 x 3/4
32	170162	Rod, Tie
33	19111216	Washer 11/32 x 3/4 x 16 Ga.
34	10040500	Washer Lock Hvy Hlcl Spr 5/16
35	73540500	Crownlock Nut 5/16-24 Unf
36	155099	Bushing, Steering
37	152927	Screw TT #10-32 x 5 x 3/8 Flange
38	140175	Cap Wheel Steering
39	19133812	Washer 13/32 x 2-3/8 x 12 G
40	7810H	Nut Lock Center 3/8-24 Unf
41	100711L	Adaptor, Steering Wheel
42	145054X428	Boot, Steering Dash P/L Mtl
43	121749X	Washer 25/32 x 1-1/4 x 16 Gauge
44	153720	Extension Steering
46	121232X	Cap, Spindle
51	73800500	Nut Lock Hex 5/16-18
54	74780520	Bolt Fin Hex 5/16-18 x 1-1/4
63	74780616	Bolt Fin Hex 3/8-16 x 1
65	160367	Spacer Brace Axle
67	72140618	Bolt Rdhd Sq 3/8-16 x 2-1/4
68	169827	Brace Axle
71	175146	Steering Asm.
82	169835	Bracket Susp Chassis Front 15"
87	173966	Washer Flat .781 x 1-1/2 x .14
88	175118	Bolt Shoulder 7/16-20 UNC
91	175553	Clip Steering

**NOTE:** All component dimensions given in U.S. inches.  
1 inch = 25.4 mm.

# REPAIR PARTS

TRACTOR- -MODEL NO. RE145HCRD (REQ145HCRDA)

## SEAT ASSEMBLY



KEY NO.	PART NO.	DESCRIPTION
1	140118	Seat
2	140551	Bracket Pnt Pivot Seat (blk)
3	71110616	Bolt Fin Hex 3/8-16 x 1 Blk
4	19131610	Washer Flat 13/32 x 1 x 10 Ga
5	145006	Clip Push In Hinged
6	73800600	Nut Lock Hex w/Ins 3/8-16
7	124181X	Spring Seat Cprsn 2 250 Blk Zi
8	17000616	Screw 3/8-16 X 1-1/2
9	19131614	Washer 13/32 X 1 X 14 Ga
10	174894	Pan Assembly Seat Tool-Free
11	166369	Knob Seat Adj. Wingnut
12	121246X	Bracket Pnt Mounting Switch

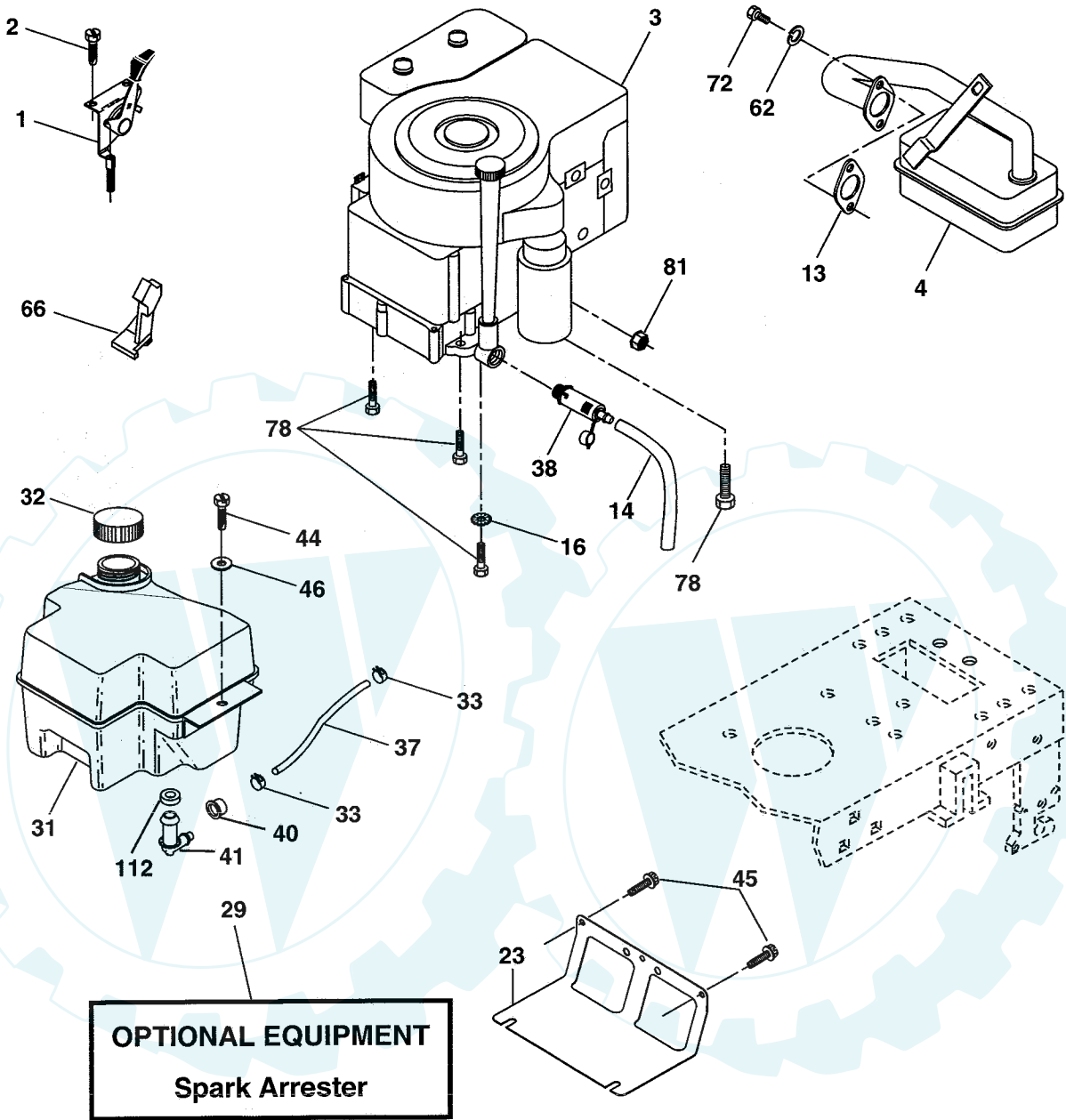
KEY NO.	PART NO.	DESCRIPTION
13	121248X	Bushing Snap Blk Nyl 50 Id
14	72050412	Bolt Rdhd Sht Nk 1/4-20x1-1/2
15	121249X	Spacer Split
16	123740X	Spring Cprsn Plate SW 1.310 Ga
17	123976X	Nut Lock 1/4 Lge Flg Gr 5 Zinc
21	171852	Bolt Shoulder 5/16-18 Unc-2A
22	73800500	Nut Hex Lock w/Ins 5/16-18
24	19171912	Washer 17/32 X 1-3/16 X 12 Ga.
25	127018X	Bolt Shoulder 5/16-18 X 62

**NOTE:** All component dimensions given in U.S. inches.  
1 inch = 25.4 mm

# REPAIR PARTS

## TRACTOR- -MODEL NO. RE145HCRD (REQ145HCRDA)

### ENGINE



**OPTIONAL EQUIPMENT**  
**Spark Arrester**

KEY NO.	PART NO.	DESCRIPTION
1	170865	Control Throt/Ch
2	17720408	Screw Hex Thd Cut 1/4-20 x 1/2
3	-----	Engine Briggs Model 287707 (Order Parts from Engine Manufacturer)
4	137352	Muffler
13	165291	Gasket 1 313 Id Tin Plated
14	148456	Tube Drain Oil
16	11050600	Washer Lock Ext Tooth 3/8
23	169837	Shield Browning/Debris Guard
29	137180	Arrestor Spark
31	180645	Tank Fuel
32	140527	Cap Asm Fule Top Vent N/Lany
33	123487X	Clamp Hose Blk
37	137040	Line Fuel 20"

KEY NO.	PART NO.	DESCRIPTION
38	148315	Oil Drain Plug (Order from Enigne Manufacturer)
40	124028X	Bushing Snap
41	139277	Stem Tank fuel
44	17670412	Screw Hexwsh Thdrol 1/4-20x3/4
45	17000612	Screw Hexwsh Thdrol 3/8-16 x 3/4
46	19091416	Washer 9/32 X 7/8 X 16ga
62	10040500	Washer Lock Hvy Hlcl Spr 5/16
66	127951	Stop Throttle
72	71070512	Screw Hex Hd Cap 5/16-18 x 3/4
78	17060620	Screw 3/8-16x1-1/4
81	73510400	Nut Keps Hex 1/4-20 Unc
112	3645J	Bushing

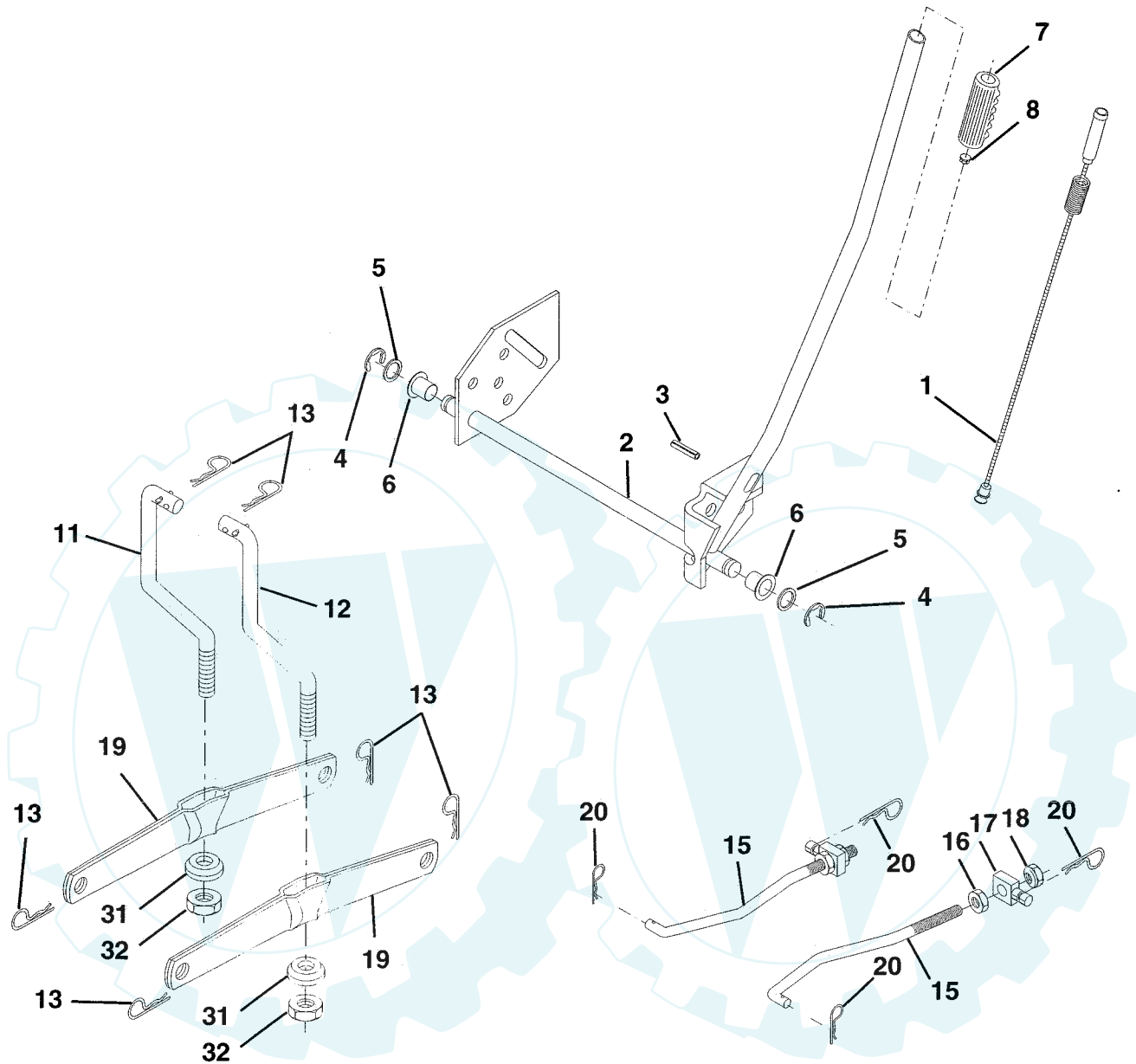
**NOTE:** All component dimensions given in U.S. inches  
1 inch = 25.4 mm

# REPAIR PARTS

[www.ersatzteil-service.de](http://www.ersatzteil-service.de)

## TRACTOR- -MODEL NO. RE145HCRD (REQ145HCRDA)

### MOWER LIFT



KEY NO.	PART NO.	DESCRIPTION
1	159460	Washer Asm Inner Spring W/Plunger
2	159471	Shaft Asm. Lift
3	105767X	Pin Groove
4	12000002	E Ring #5133-62
5	19211621	Washer 21/32 x 1 x 21 Ga.
6	120183X	Bearing Nylon
7	109413X	Grip Handle
8	124526X	Button Plunger Black
11	165829	Link Asm Lift L.H.
12	165831	Link Asm Lift R.H.
13	4939M	Retainer Spring

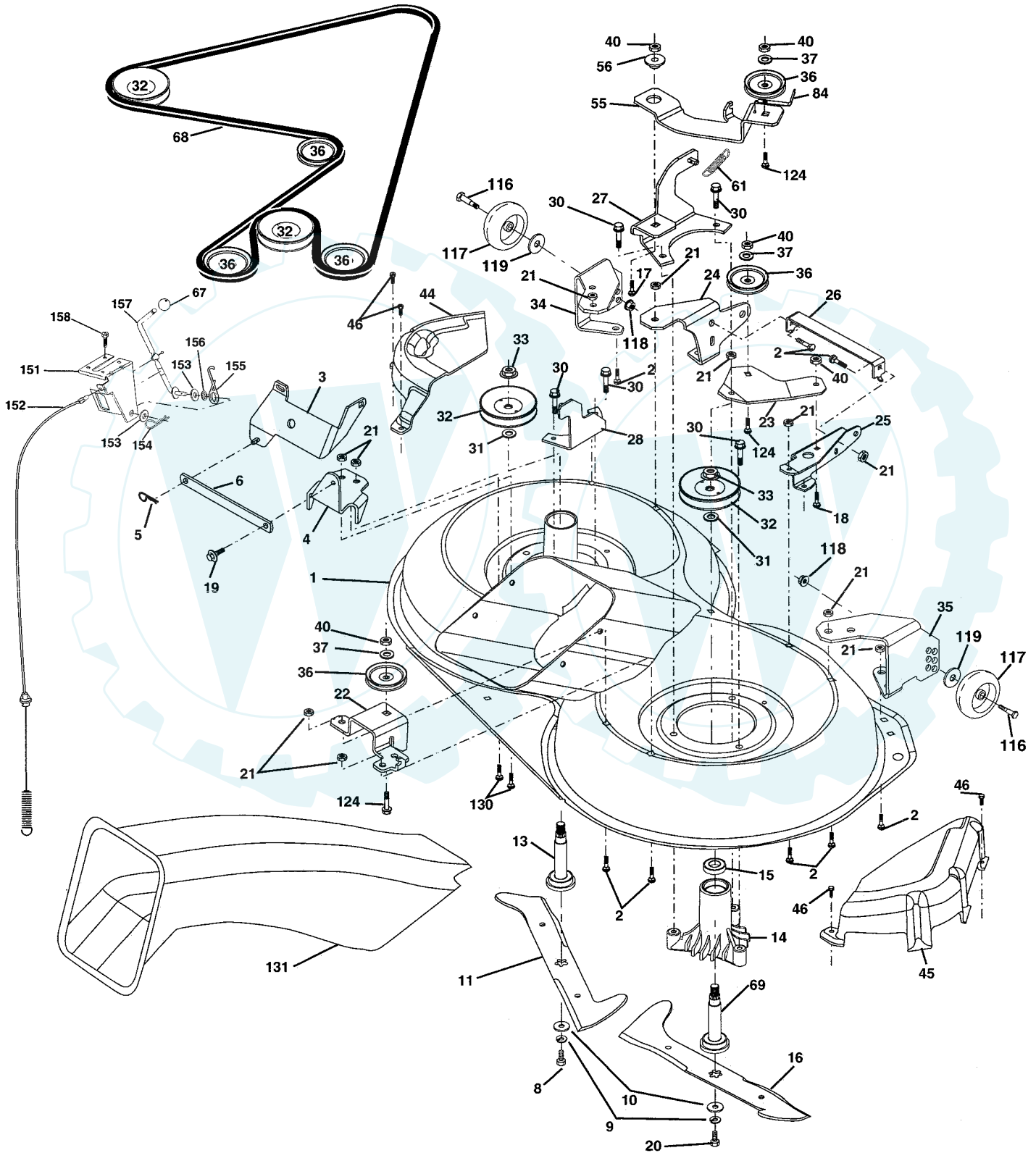
KEY NO.	PART NO.	DESCRIPTION
15	173288	Link Front
16	73350800	Nut Jam Hex 1/2-13 Unc
17	175689	Trunnion
18	73800800	Nut Lock w/Wsh 1/2-13 Unc
19	139868	Arm Suspension Mower
20	163552	Retainer Spring
31	169865	Bearing, Pvt. Lift.
32	73540600	Nut Crownlock 3/8-24

**NOTE:** All component dimensions given in U.S. inches  
1 inch = 25.4 mm

# REPAIR PARTS

TRACTOR- -MODEL NO. RE145HCRD (REQ145HCRDA)

MOWER



# REPAIR PARTS

[www.ersatzteil-service.de](http://www.ersatzteil-service.de)

## TRACTOR- -MODEL NO. RE145HCRD (REQ145HCRDA)

### MOWER

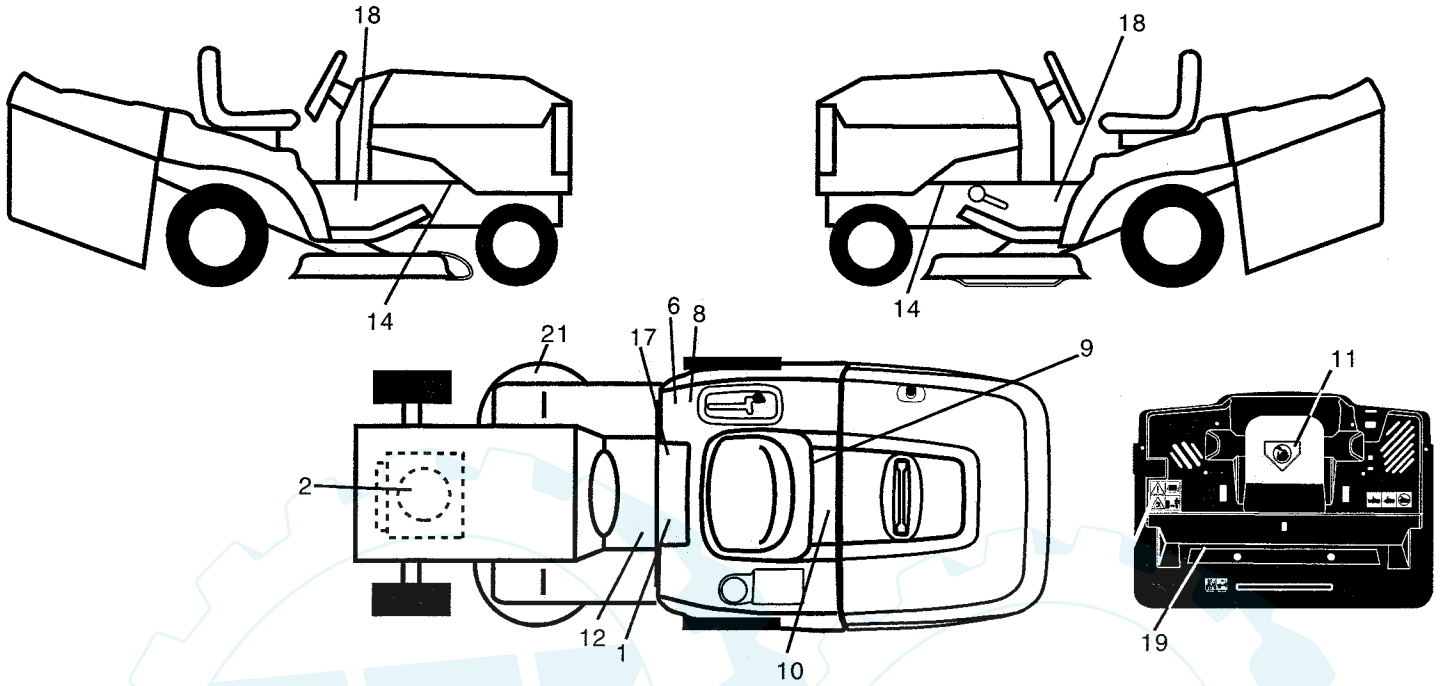
KEY NO.	PART NO.	DESCRIPTION	KEY NO.	PART NO.	DESCRIPTION
1	165552	Housing Asm. Mower 92 CRD	40	73680600	Nut Crownlock 3/8-16 Unc
2	72140506	Bolt Rdhd Sqnk 5/16-18 Unc x 3/4	41	73900600	Nut Lock Flg 3/8-16
3	165569	Bracket Asm. S-Bar Chass 92 CRD	44	175538	Cover Mandrel Lh 92 CRD
4	165558	Bracket Bar Sway Deck 92 CRD	45	175539	Cover Mandrel Rh 92 CRD
5	4939M	Retainer Spring	46	137729	Screw Thd Roll 1/4-20 x 5/8
6	165557	Bar Sway 92 CRD	55	165445	Arm Idler 92 CRD
8	850857	Bolt 3/8-24 x 1.25 Gr8 Patched	56	165723	Spacer Retainer Mower
9	10030600	Washer Lock Hvy 3/8 Unplated	61	165945	Spring Tension Belt
10	140296	Washer Hard Blade Mower vented	67	106932X	Knob Rd 3/8-16 Plstdc Thds Blk
11	170037	Blade 3-1 Lh 92 CRD	68	165555	Hex-Belt 92 Mower 105AA
13	137645	Shaft Asm. W/Lower Bearing	69	165482	Shaft Asm W/Lwr Brg Rh Thd CRD
14	128774	Housing Mandrel Vented (Machd)	84	156085	Keeper Belt Idler
15	110485X	Bearing Ball Mandrel	116	137644	Bolt Shoulder
16	170038	Blade 3-1 Rh 92 CRD	117	133957	Wheel Gage Donut Wide
17	72140610	Bolt Carriage 3/8-16 x 1-1/4	118	73930600	Nut Centerlock 3/8-16 Unc
19	132827	Bolt Shoulder 5/16-18 Thd Form	119	19121414	Washer 3/8 x 7/8 x 14 Ga.
20	165484	Bolt 3/8-24 x 1.25 Gr8 Ptch Lhthd	124	72110612	Bolt Carr Sh 3/8-16 x 1-1/2 Gr5
21	73680500	Nut Crown Lock 5/16-18	130	72110506	Bolt Rdhdsqnk 5/16-18 Unc x 3/4
22	165243	Bracket Idler Sprt RR 92 CRD	131	165661	Chute Bagger CRD 92cm
23	165446	Bracket Idler Sprt RF 92 CRD	151	169670	Bracket Clutch Cable
24	165242	Bracket Suspension LF 92 CRD	152	176074	Cable Clutch CRD Service
25	165244	Bracket Suspension RF 92 CRD	153	169674	Washer Flat 3/8" Type B
26	165237	Brace Support Susp Frt CRD	154	169675	Spring Retainer
27	165568	Bracket Asm. Susp RR 92 CRD	155	169671	Spring Retention Lvr Clutch Cable
28	165567	Bracket Asm. Susp LR 92 CRD	156	169672	Spacer Clutch Cable
30	173984	Screw Thd Rolling	157	169669	Rod Clutch Cable 3/8"
31	129963	Washer Spacer Mower Vented	158	17720408	Screw Hex Thd Cut 1/4-20 x 1/2
32	153531	Mandrel Pulleys 36 & 46	-	130794	Mandrel Asm Service
33	178342	Nut Flg Top Lock	-	165579	Mandrel Asm CRD Lh Threads
34	179509	Bracket Gauge Wheel Lf 92 CRD	-	180387	Replacement Mower Complete
35	176292	Bracket Gauge Wheel Rf 92 CRD			
36	146763	Pulley Idler V-Groove Dim 4.25			
37	19131316	Washer 11/32 x 13/16 x 16 Ga			

**NOTE:** All component dimensions given in U.S. inches  
1 inch = 25.4 mm

# REPAIR PARTS

## TRACTOR- -MODEL NO. RE145HCRD (REQ145HCRDA)

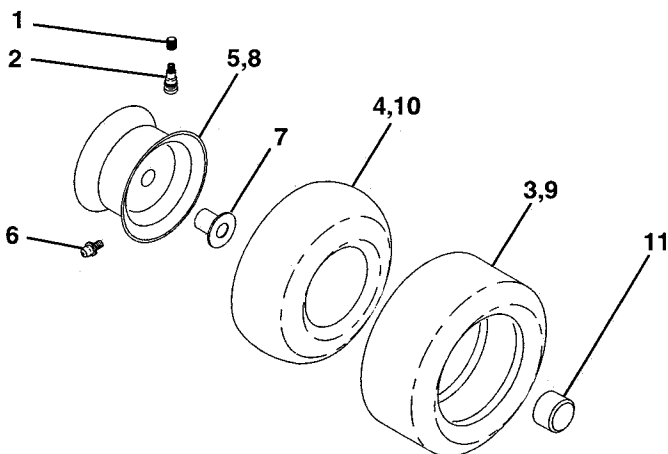
### DECALS



KEY NO.	PART NO.	DESCRIPTION
1	145498	Decal Read Owner's Manual Sym
2	176396	Decal Hp Engine
6	126187X	Decal 100 DBA
8	145437	Decal Europe Stand Ce
9	166960	Decal Bypass
10	145005	Decal Bat Dan/Poi P/L Sym Wpr
11	145494	Decal Mower Cut Finger Symbol
12	159737	Decal Brake/Clutch Symbol Lt
14	159736	Decal Chassis Hot Muffler

KEY NO.	PART NO.	DESCRIPTION
17	140837	Decal Saddle Brake Parking
18	181149	Decal Chassis
19	180435	Decal Backplate CRD Symbols
21	166286	Decal Deck Sch 92 CRD
—	138311	Decal Lift Handle
—	179769X428	Pad Footrest R.H.
—	179768X428	Pad Footrest L.H.
—	181314	Manual Operator's (Euro)
—	181315	Manual Parts

### WHEELS & TIRES



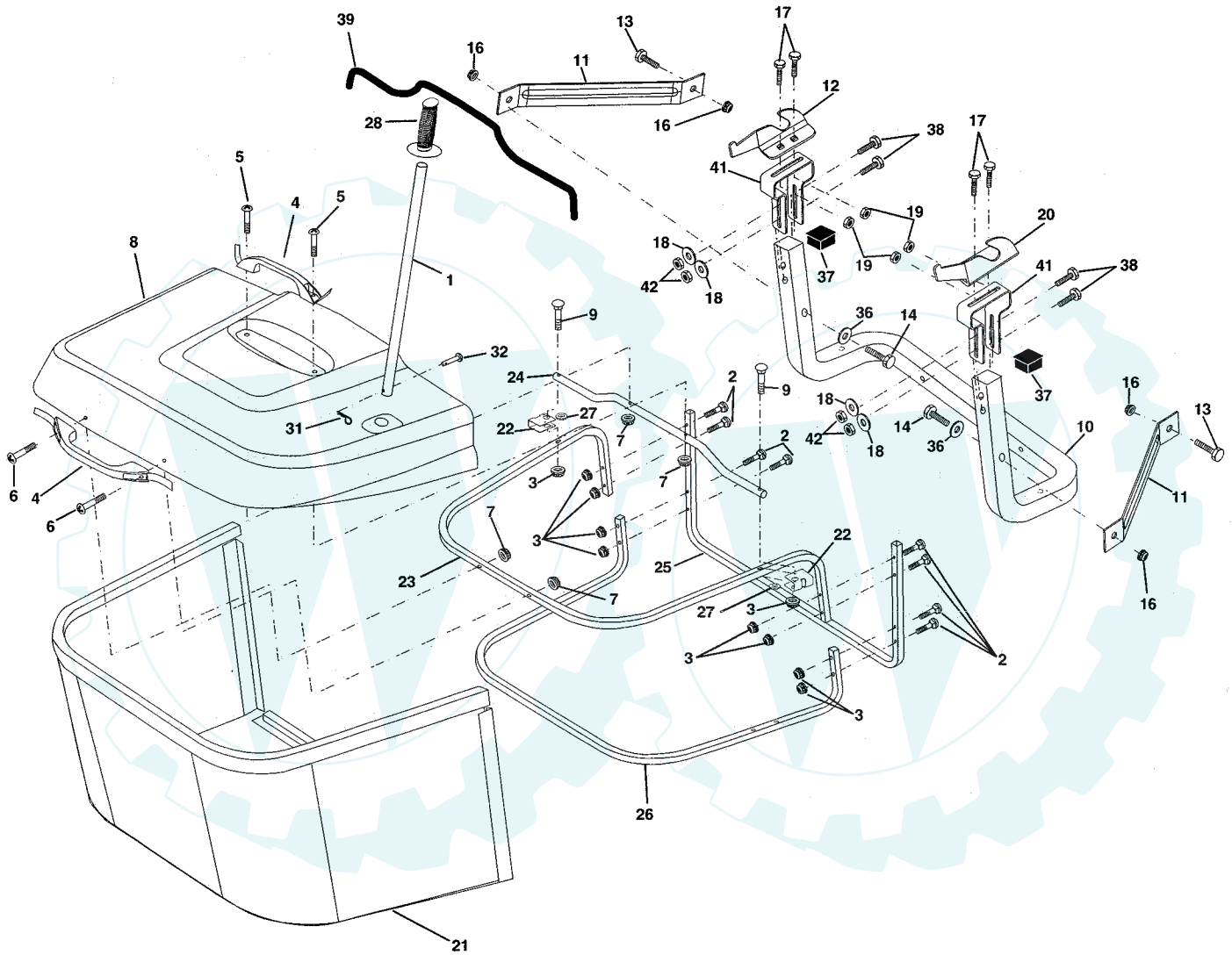
KEY NO.	PART NO.	DESCRIPTION
1	59192	Cap Value Tire
2	65139	Stem Value
3	106222X	Tire F Ts 15 X 6 0 - 6 Service
4	59904	Tube Inner Front #35060
5	106732X427	Rim Asm 6"front Service
6	278H	Fitting Grease
7	9040H	Bearing Flange
8	106108X427	Rim Asm 8"rear Service
9	138468	Tire R Ts 18 x 8.5-8 Service
10	7152J	Tube Rear 9 5 X 8 Service
11	104757X428	Cap Axle Blk 1 50 X 1 00
--	144334	Sealant, Tire (10 oz. tube)

**NOTE:** All component dimensions given in U.S. inches  
1 inch = 25.4 mm

# REPAIR PARTS

## TRACTOR- -MODEL NO. RE145HCRD (REQ145HCRDA)

### BAGGER



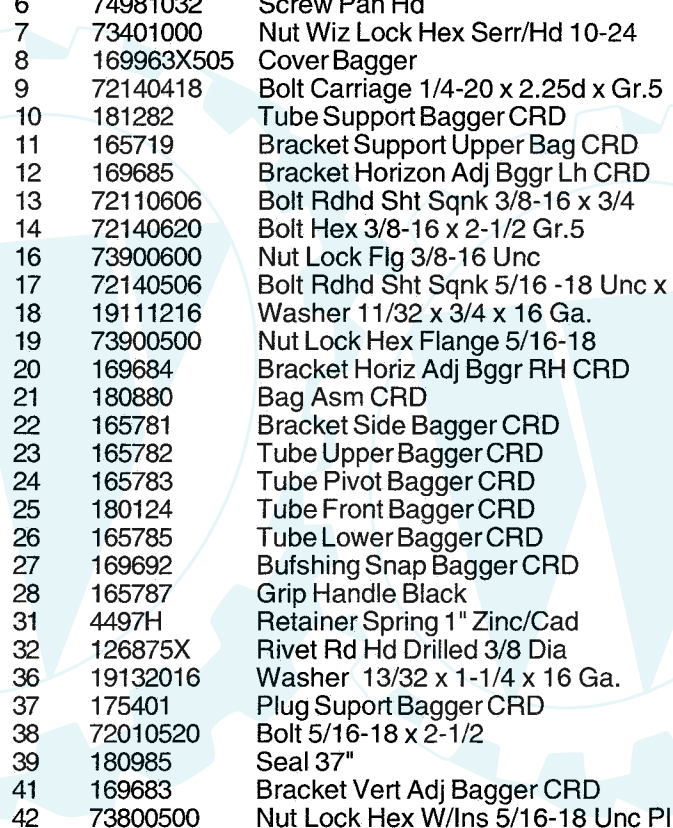


# REPAIR PARTS

[www.ersatzteil-service.de](http://www.ersatzteil-service.de)

## TRACTOR- -MODEL NO. RE145HCRD (REQ145HCRDA)

### BAGGER



KEY NO.	PART NO.	DESCRIPTION
1	165249	Tube Handle Bagger CRD
2	72140416	Bolt Carriage 1/4-20 x 2.0 Gr.5
3	123976X	Nut Lock 1/4 Lge Flg Gr. 5 Zinc
4	169916	Handle Bagger w/Lvrs Blk CRD
5	74981024	Screw Pan Head #10-24 x 1.50 Blk
6	74981032	Screw Pan Hd
7	73401000	Nut Wiz Lock Hex Serr/Hd 10-24
8	169963X505	Cover Bagger
9	72140418	Bolt Carriage 1/4-20 x 2.25d x Gr.5
10	181282	Tube Support Bagger CRD
11	165719	Bracket Support Upper Bag CRD
12	169685	Bracket Horizon Adj Bggr Lh CRD
13	72110606	Bolt Rdhd Sht Sqnk 3/8-16 x 3/4
14	72140620	Bolt Hex 3/8-16 x 2-1/2 Gr.5
16	73900600	Nut Lock Flg 3/8-16 Unc
17	72140506	Bolt Rdhd Sht Sqnk 5/16 -18 Unc x 3/4
18	19111216	Washer 11/32 x 3/4 x 16 Ga.
19	73900500	Nut Lock Hex Flange 5/16-18
20	169684	Bracket Horiz Adj Bggr RH CRD
21	180880	Bag Asm CRD
22	165781	Bracket Side Bagger CRD
23	165782	Tube Upper Bagger CRD
24	165783	Tube Pivot Bagger CRD
25	180124	Tube Front Bagger CRD
26	165785	Tube Lower Bagger CRD
27	169692	Bufshing Snap Bagger CRD
28	165787	Grip Handle Black
31	4497H	Retainer Spring 1" Zinc/Cad
32	126875X	Rivet Rd Hd Drilled 3/8 Dia
36	19132016	Washer 13/32 x 1-1/4 x 16 Ga.
37	175401	Plug Suport Bagger CRD
38	72010520	Bolt 5/16-18 x 2-1/2
39	180985	Seal 37"
41	169683	Bracket Vert Adj Bagger CRD
42	73800500	Nut Lock Hex W/Ins 5/16-18 Unc PI

**NOTE:** All component dimensions given in U.S. inches  
1 inch = 25.4 mm