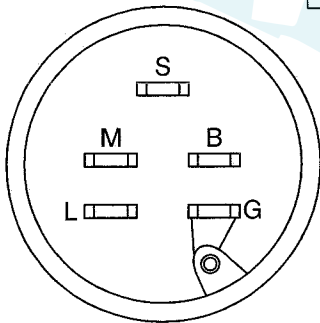
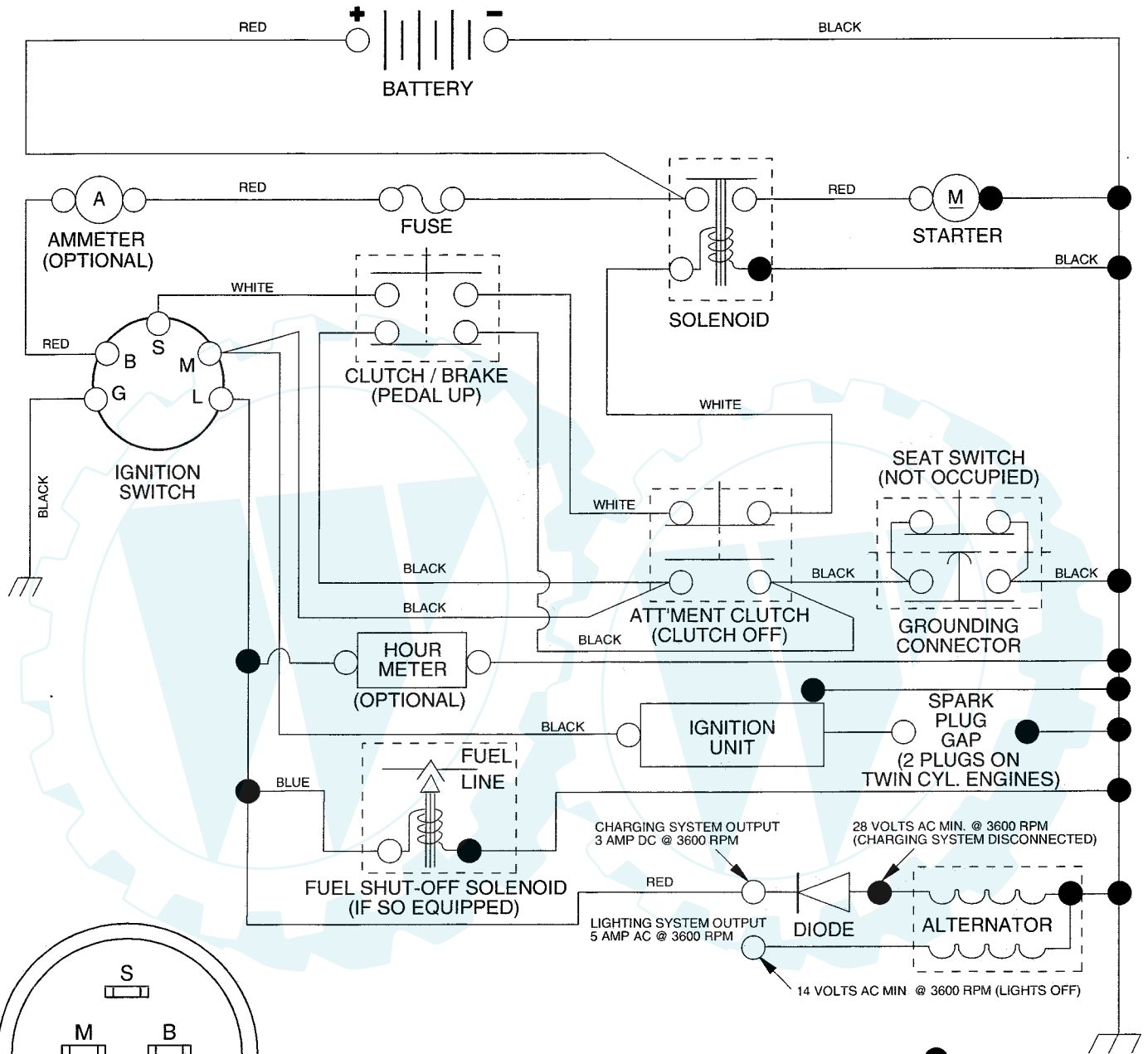


www.ersatzteil-service.de  
**TRACTOR - - MODEL NUMBER REQ1136A**

**SCHEMATIC**



**IGNITION SWITCH**

POSITION	CIRCUIT
OFF	M + G
ON	B + L
START	B + S + L

**WIRING INSULATED CLIPS**  
**NOTE:** IF WIRING INSULATED CLIPS WERE REMOVED FOR SERVICING OF UNIT, THEY SHOULD BE REPLACED TO PROPERLY SECURE YOUR WIRING.

●  
 NON-REMOVABLE CONNECTIONS

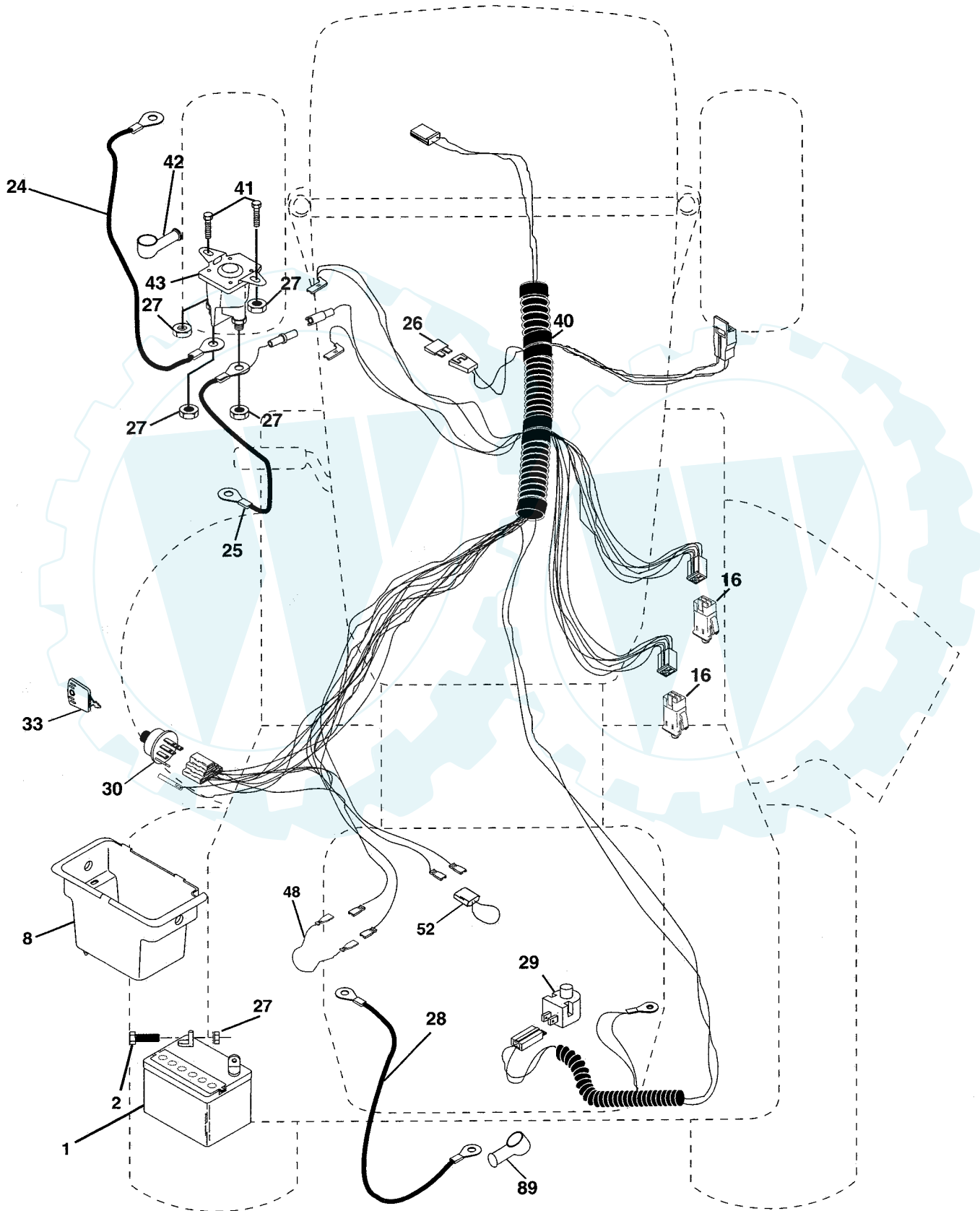
○  
 REMOVABLE CONNECTIONS

# REPAIR PARTS

[www.ersatzteil-service.de](http://www.ersatzteil-service.de)

## TRACTOR - - MODEL NUMBER REQ1136A

### ELECTRICAL



## TRACTOR - - MODEL NUMBER REQ1136A

### ELECTRICAL

KEY NO.	PART NO.	DESCRIPTION
1	163465	Battery
2	74760412	Bolt Hex Hd 1/4-20unc X 3/4
8	176889	Box Battery Fender
16	176138	Switch Interlock
24	4799J	Cable Battery
25	146147	Cable Battery 6 Ga 44" red
26	175158	Fuse 20 AMP
27	73510400	Nut Keps Hex 1/4-20 Unc
28	4207J	Cable Ground 6 Ga 12" black
29	121305X	Switch Plunger Nc Gray
30	175567	Switch Ign
33	140401	Key Ign
40	179730	Harness Ignition
41	71110408	Bolt Blk Fin Hex 1/4 - 20 x 1/2
42	131563	Cover Terminal Red
43	178861	Solenoid
48	140844	Adapter Ammeter
52	141940	Protection Wire Loop
89	180449	Cover Terminal Battery

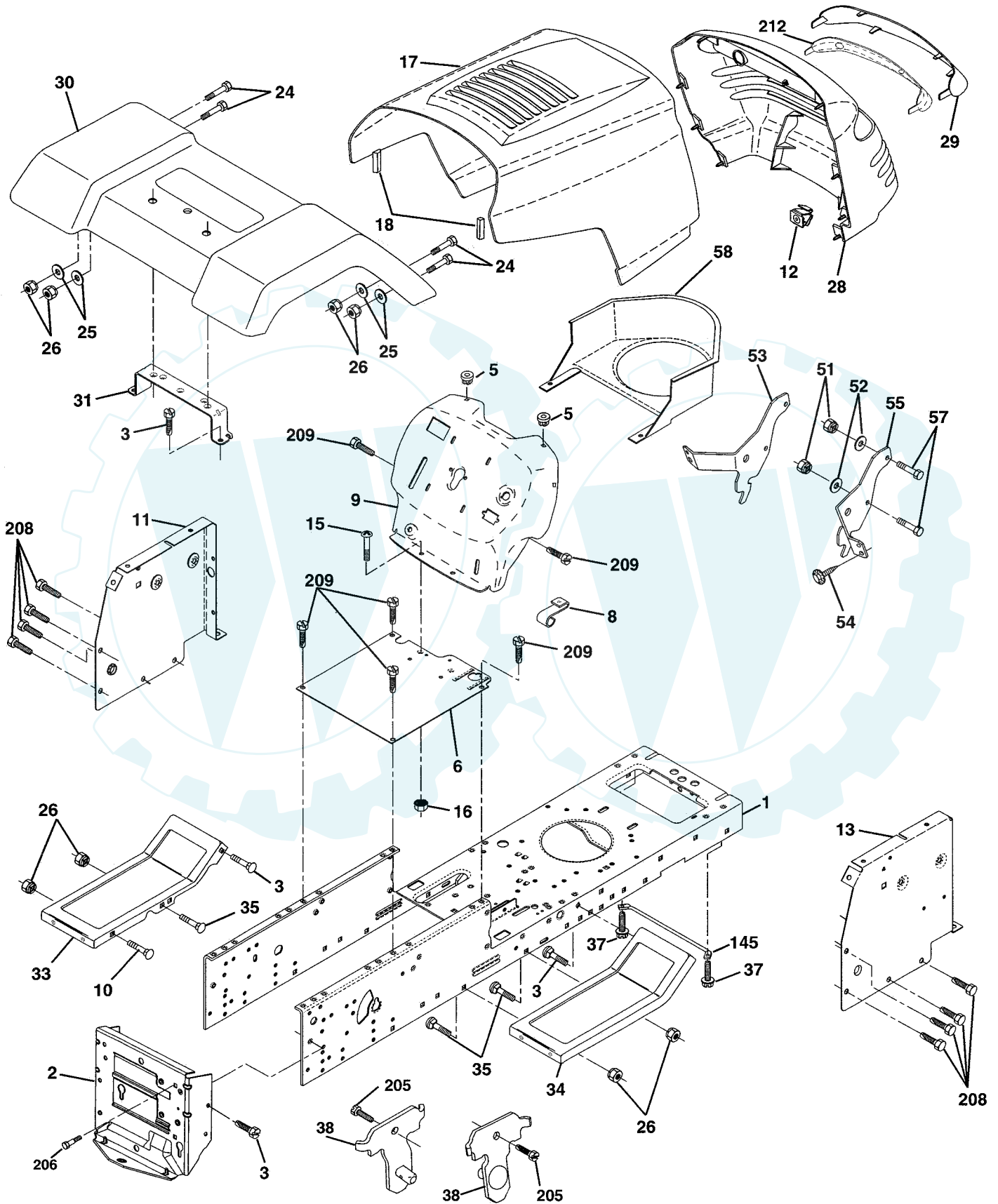
**NOTE:** All component dimensions give in U.S. inches  
1 inch = 25.4 mm.

# REPAIR PARTS

[www.ersatzteil-service.de](http://www.ersatzteil-service.de)

## TRACTOR - - MODEL NUMBER REQ1136A

### CHASSIS AND ENCLOSURES



## TRACTOR - - MODEL NUMBER REQ1136A CHASSIS AND ENCLOSURES

KEY NO.	PART NO.	DESCRIPTION
1	174620	Chassis
2	176554	Drawbar
3	17060612	Screw 3/8-16 x 3/4
5	155272	BumperHood/Dash
6	174643X012	Saddle
8	155138	Clip, Retainer Slide-On
9	168347X011	Dash
10	72140608	Bolt, Carriage 3/8-16 x 1
11	155927	Dashboard, panel LH
12	145660	Clip Tinnerman Grille P/L
13	172107X010	Dashboard, panel RH
15	74180512	Machine screw 5/16-18 unc x 3/4
16	73510500	Nut, Keps 5/16-18 Unc
17	159639X505	Hood Pnt Stl P/L w/Trim 505
18	126938X	BumperHood
24	74780616	Bolt, Hex Head, Fin. 3/8-16 x 1 Grade 5
25	19131312	Washer 13/32 x 13/16 x12 Gauge
26	73800600	Nut Lock Hex w/Ins. 3/8-16 Unc
28	179760	Grille/Lens Asm
29	150209X428	Lens
30	169465X505	Fender
31	136619	Fender Bracket
33	179716X505	Footrest, LH
34	179717X505	Footrest, RH
35	72110606	Bolt 3/8-16 X 3/4
37	17490508	Screw Thdrol 5/16-18 x 1/2
38	175710	Bracket Asm. Pivot Mower Rear
51	73800400	Nut Lock, w/Insert 14/20 UNC
52	19091416	Washer 9/32 x 7/8 x 16 Ga.
53	144697	Bracket Grille
54	161464	Screw Hex WsHd 8-18 x 7/8
55	144696	Bracket Grille RH
57	74780412	Bolt FinHex 1/4-20 UNC x .75
58	150127	Duct Air Engine P/L LT
145	156524	Rod Pivot Chassis/Hood
205	17490608	Screw Thdrol 3/8-16 x 1/2
206	170165	Bolt Shoulder 5/16-18 TT
208	17670608	Screw Thdrol 3/8-16 x 1/2
209	17000612	Screw Hexwsh Thdr 3/8-16 x 3/4
212	156494	Insert Lens Reflect
--	5479J	Button Plug

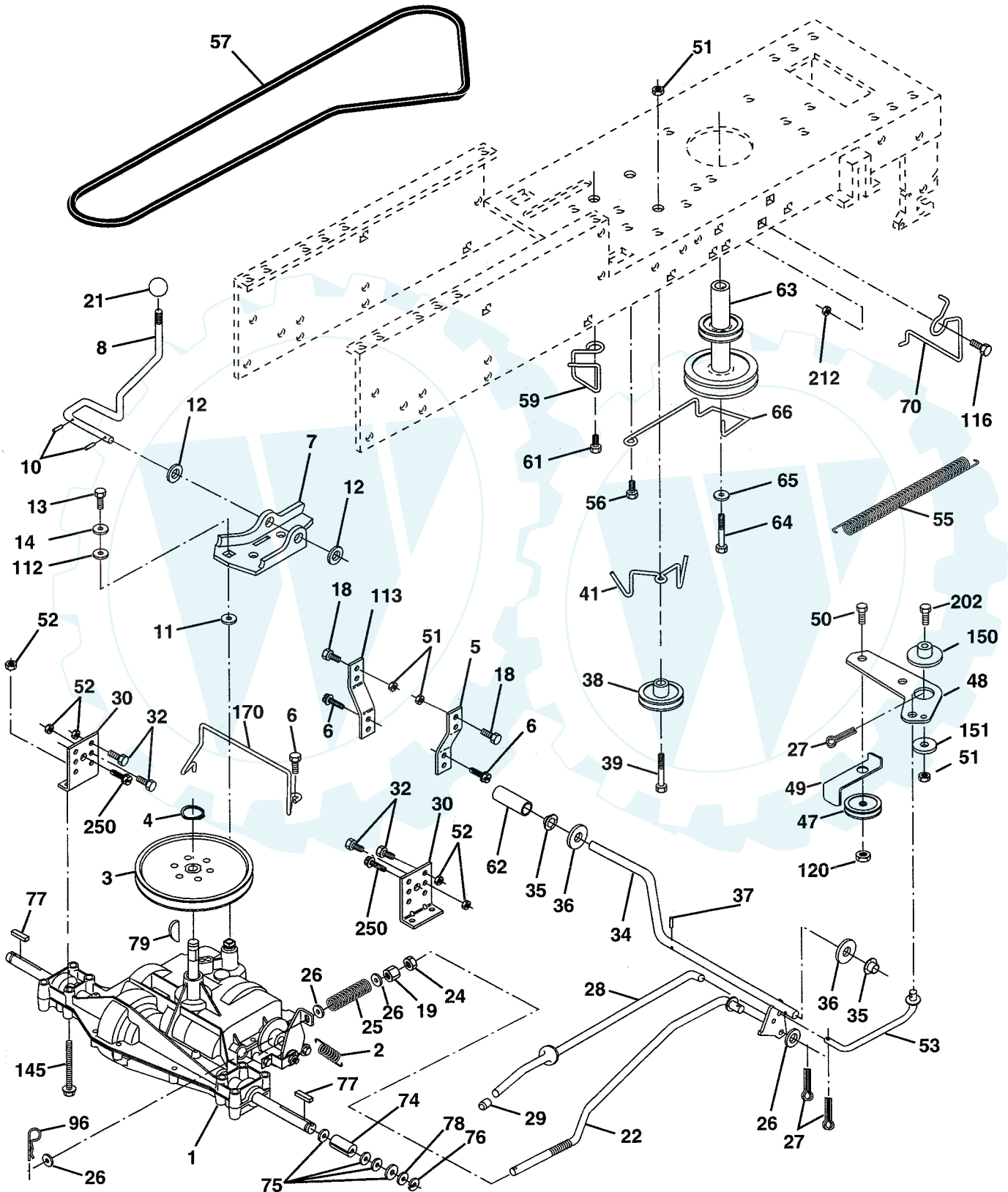
**NOTE:** All component dimensions given in U.S. inches  
1 inch = 25.4 mm

# REPAIR PARTS

[www.ersatzteil-service.de](http://www.ersatzteil-service.de)

## TRACTOR - - MODEL NUMBER REQ1136A

### DRIVE



# REPAIR PARTS

[www.ersatzteil-service.de](http://www.ersatzteil-service.de)

## TRACTOR - - MODEL NUMBER REQ1136A

### DRIVE

KEY NO.	PART NO.	DESCRIPTION	KEY NO.	PART NO.	DESCRIPTION
1	-----	Transaxle (See Breakdown) Peerless, Model 204-506B Order parts from transaxle manufacturer	48	154407	Bellcrank Asm Clutch Retainer, Belt
2	146682	Spring, Brake Return	49	123205X	Bolt, Hex 3/8-16 x 1-1/2
3	123666X	Pulley, Transaxle	50	74760624	Nut, Crownlock 3/8-16
4	12000028	Ring, Retainer	51	73680600	Nut, Crownlock 5/16-18
5	121520X	Strap, Torque	52	73680500	Link, Clutch
6	17060512	Screw, 5/16-18 x 3/4 SMGML	53	105710X	Spring, Return, Clutch
7	162240	Bracket, T/A, Saddle Shift	55	105709X	Screw 3/8-16 x 1-1/4
8	131679	Rod, Shifter	56	17060620	V-Belt, Drive
10	76020416	Pin, Cotter 1/8 x 1	57	130801	Keeper Belt Center Span
11	105701X	Washer, Shift Plate	59	169691	Screw, 3/8-16 x .875
12	19151216	Washer 15/32 x 3/4 x 16	61	17060614	Cover, Foot Pedal
13	74550412	Bolt 1/4-28 UNF Gr. 8 w/Patch	62	8883R	Pulley, Engine
14	10040400	Washer Lock	63	175410	Bolt, Hex 7/16-20 x 4 Gr. 5
18	74780616	Bolt, Fin Hex 3/8-16 Unc x 1 Gr. 5	64	71170764	Washer, Lock Hvy Hlcl Spr 7/16
19	73800600	Locknut 3/8-16	65	10040700	Keeper, Belt Engine F-Proof
21	106933X	Knob	66	154778	Guide Belt Mower Drive RH
22	130804	Rod, Brake	70	134683	Spacer, Split
24	73350600	Nut, Hex Jam 3/8-16	74	137057	Washer 25/32 x 1-1/4 x 16 Ga.
25	106888X	Spring, Rod, Brake	75	121749X	E-Ring
26	19131316	Washer 13/32 x 13/16 x 16 Gauge	76	12000001	Key Square
27	76020412	Pin, Cotter 1/8 x 3/4	77	123583X	Washer 25/32 x 1-5/8 x 16 Ga.
28	175765	Rod, Brake, Park	78	121748X	Key Woodruff #9 3/16 x 3/4
29	71673	Cap, Plunger	79	2228M	Retainer Spring 1" Ziinc/Cad
30	174973	Bracket, Transaxle, L.H.	96	4497H	Washer 9/32 x 3/4 x 10 Ga.
32	74760512	Bolt Hex Hd 5/16-18 UNC x 3/4	112	19091210	Strap Torque L.H. Lt
34	175578	Shaft, Foot Pedal	113	127285X	Bolt RDHD SQNK 3/8-16unc x 1
35	120183X	Bearing Nylon	116	72140608	Nut Lock Flg. 3/8-16 Unc
36	19211616	Washer 21/32 x 1 x 16 Gauge	120	73900600	Bolt, Hex Flghd 5/16-18 Gr. 5
37	1572H	Pin, Roll 3/16 x 1	145	74490540	Spacer Retainer
38	179114	Idler, Flat	150	175456	Washer 13/32 x 2 x 10 Ga.
39	74760648	Bolt Fin Hex 3/8-16unc x 3	151	19133210	Keeper, Belt, Transaxle
40	175461	Spacer Split Steel	170	178394	Bolt Carr Sh 3/8-16 x 1-3/4 Gr. 5
41	175556	Keeper, Belt	202	72110614	Nut Hex Flange Lock
42	19131312	Washer 13/32 x 13/16 x 12 Gauge	212	145212	Screw, 3/8-16 x 3/4 SMGML
47	127783	Pulley, Idler	250	17060612	

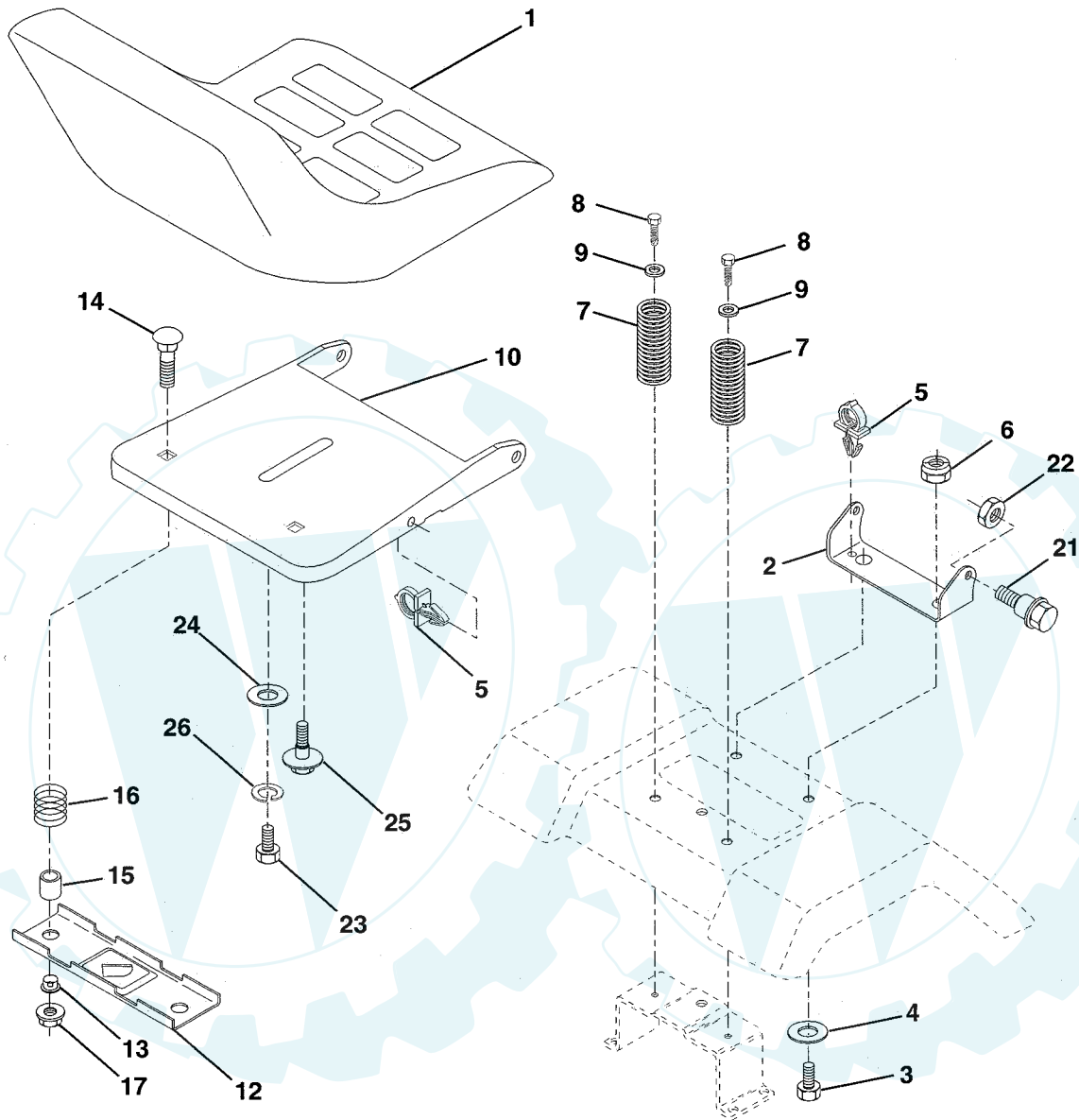
**NOTE:** All component dimensions give in U.S. inches.  
1 inch = 25.4 mm.

# REPAIR PARTS

www.ersatzteil-service.de

## TRACTOR - - MODEL NUMBER REQ1136A

### SEAT



KEY NO.	PART NO.	DESCRIPTION
1	175389	Seat
2	140551	Bracket, Pivot, Seat
3	71110616	Fin Hex 3/8-16unc x 1
4	19131610	Washer 13/32 x 1 x 10 Ga.
5	145006	Clip, Push-in
6	73800600	Nut
7	124181X	Spring, Seat
8	17000616	Screw, 3/8-16 x 1.5 SMGML Tap/R
9	19131614	Washer 13/32 x 1 x 14 Ga.
10	174894	Pan, Seat
12	121246X	Bracket, Mounting, Switch, Seat
13	121248X	Bushing, Nylon

KEY NO.	PART NO.	DESCRIPTION
14	72050412	Nut, Crownlock 1/4-20 x 1-3/8
15	134300	Spacer, Split
16	121250X	Spring
17	123976X	Nut, Lock, Flange 1/4 Gr. 5
21	171852	Bolt, Shoulder 5/16-18 UNC-2A
22	73800500	Nut
23	71110814	Bolt Hex Black
24	19171912	Washer 17/32 x 1-3/16 x 12 Ga.
25	127018X	Bolt Shoulder 5/16-18 x .62
26	10040800	Washer Lock Hvy Hclc Spr 1/2

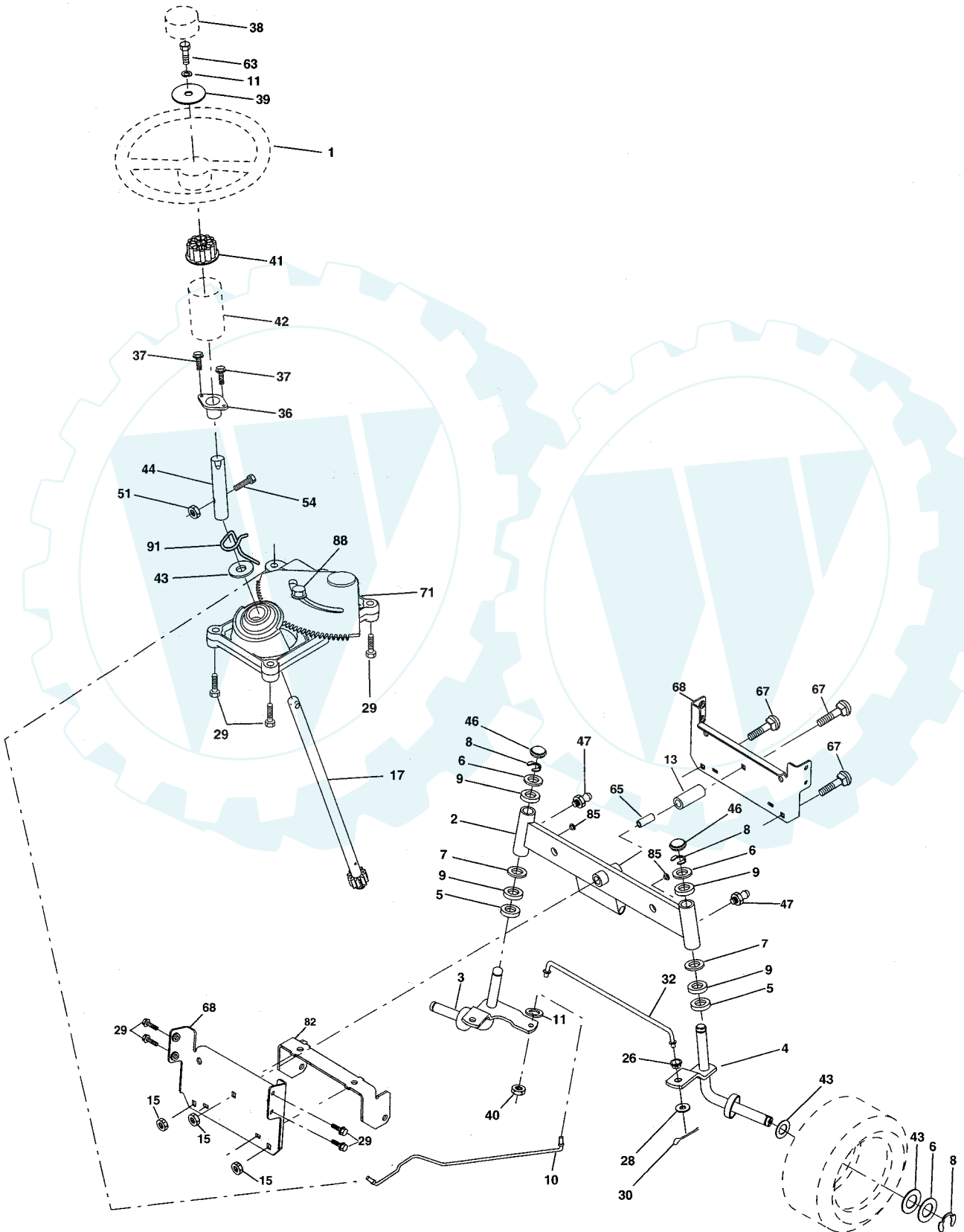
**NOTE:** All component dimensions given in U.S. inches  
1 inch = 25.4 mm



# REPAIR PARTS

## TRACTOR - - MODEL NUMBER REQ1136A

### STEERING WHEEL



## TRACTOR - - MODEL NUMBER REQ1136A

### STEERING WHEEL

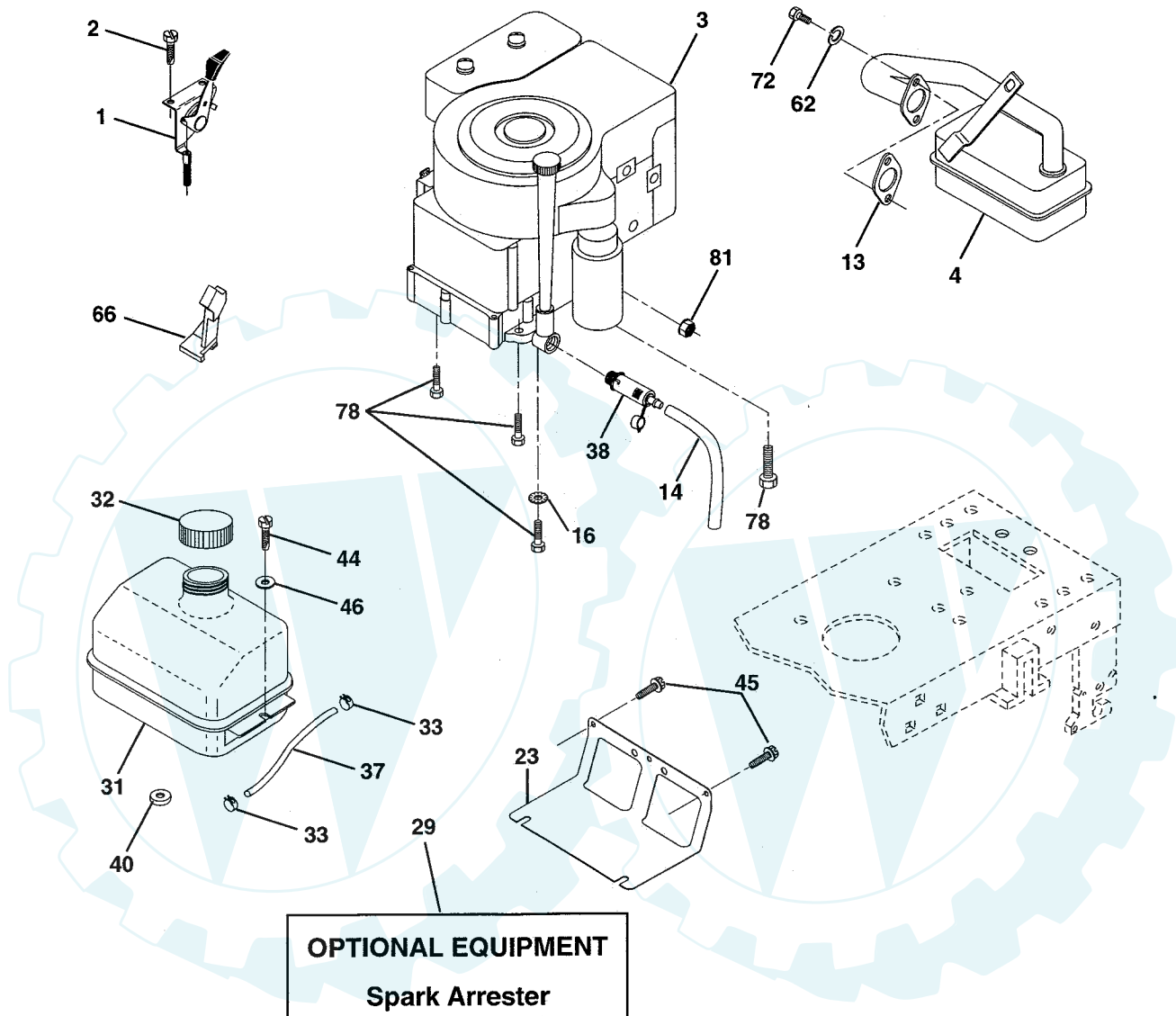
KEY NO.	PART NO.	DESCRIPTION
1	139768	Wheel Steering
2	175131	Axle Asm Front
3	169840	Spindle Asm LH
4	169839	Spindle Asm RH
5	6266H	Bearing, Race, Thrust Hardened
6	121748X	Washer 25/32 X 1-5/8 X 16 Ga
7	19272016	Washer 27/32 X 1-1/4 X 16 Ga
8	12000029	Ring Klip
9	3366R	Bearing
10	175121	Link Drag
11	10040600	Washer Lock Hvy Hlcl Spr 3/8
13	163518	Spacer Brg. Axle Front
15	145212	Nut Hexflange Lock
17	177876	Steering, Assembly Shaft
26	126847X	Bushing Link Drag Blk Lr
28	19131416	Washer 13/32 x 7/8 x 16 Ga.
29	17060612	Screw 3/8-16x3/4 SMGML Tap/R
30	76020412	Pin Cotter 1/8 x 3/4 CAD
32	130465	Rod Connecting
36	155099	Bushing Steering
37	152927	Screw TT #10-32 X 5 x 3/8 Flange
38	140175	Cap Wheel Steering
39	19133812	Washer 13/32 x 2-3/8 x 12 Ga
40	7810H	Nut Lock Center 3/8-24 Unf
41	100711L	Adapter Wheel Strg
42	145054X428	Boot Steering
43	121749X	Washer 25/32 X 1 1/4 X 16 Ga
44	153720	Extension Steering
46	121232X	Cap Spindle
47	6855M	Fitting Grease
51	73800500	Nut Lock Hex W/Ins. 5/16-18 Unc P
54	74780520	Bolt Fin Hex 5/16-18 Unc 6 x 1-1/4
63	74780616	Bolt Fin Hex 3/8-16unc x 1 Gr. 5
65	160367	Spacer Brace Axle
67	72140618	Bolt RDHD SQ 3/8-16UNC x 2-1/4
68	169827	Brace Axle
71	175146	Steering Asm
82	169835	Bracket Susp. Chassis Front
85	133835	Fastener Christmas Tree
88	175118	Bolt Shoulder 7/16-20unc
91	175553	Clip Steering

**NOTE:** All component dimensions given in U.S. inches  
1 inch = 25.4 mm

# REPAIR PARTS

## TRACTOR - - MODEL NUMBER REQ1136A

### ENGINE



**OPTIONAL EQUIPMENT**  
**Spark Arrester**

KEY NO.	PART NO.	DESCRIPTION
1	170865	Control Th/ch Flag EEC 20.22
2	17720408	Screw Hex Thd Cut 1/4-20x1/2
3	-----	Engine Briggs Model 289707 (Order parts from engine manufacturer)
4	137348	Muffler LT
13	165291	Gasket Eng 1 313 Id Tin Plated
14	148456	Drain Oil Tube Easy
16	11050600	Washer Lock Ext Tooth 3/8
23	169837	Shield Brn/Dbr Guard
29	137180	Kit Spark Arrestor (Flat Scrn)
31	109202X	Tank Fuel Front 2 00
32	140527	Cap Asm Fuel
33	123487X	Clamp Hose Blk

KEY NO.	PART NO.	DESCRIPTION
37	137040	Line Fuel
38	148315	Plug Drain Oil Easy
40	124028X	Bushing Snap Nyl Blk Fuel Line
44	17670412	Screw Hexwsh Thdrol 1/4-20x3/4
45	17000612	Screw Hex Wsh Thdr 3/8-16 x 3/4
46	19091416	Washer 9/32 X 7/8 X 16 Ga
62	10040500	Washer 5/16
66	127951	Stop Throttle
72	71070512	Screw Hex Hd Cap 5/16-18 x 3/4
78	17060620	Screw 3/8-16x1-1/4
81	73510400	Nut Keps Hex 1/4-20 Unc

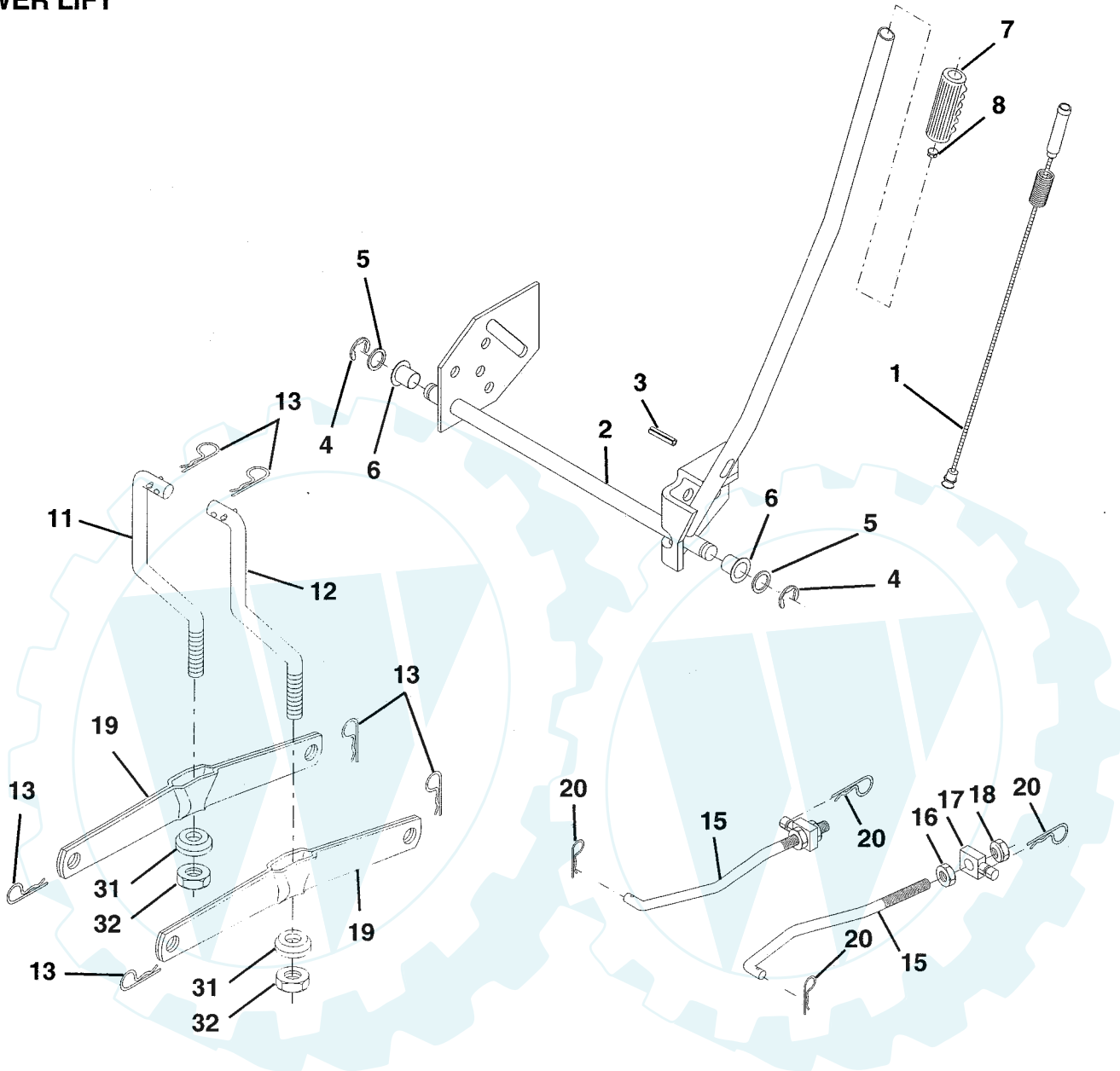
**NOTE:** All component dimensions given in U.S. inches.  
1 inch = 25.4 mm.

# REPAIR PARTS

www.ersatzteil-service.de

## TRACTOR - - MODEL NUMBER REQ1136A

### MOWER LIFT



KEY NO.	PART NO.	DESCRIPTION
1	159460	Wire Asm. Inner/Sprg w/Plunger
2	159471	Shaft, Asm., Lift R/H
3	105767X	Pin, Groove
4	12000002	Ring, E #5133-62
5	19211621	Washer 21/32 x 1 x 21 Ga.
6	120183X	Bearing, Nylon
7	109413X	Grip Handle Bicycle Matte Blk
8	124526X	Button, Plunger
11	139865	Link, Lift, Lh
12	139866	Link, Lift, Rh
13	4939M	Spring, Retainer

KEY NO.	PART NO.	DESCRIPTION
15	173288	Link, Front
16	73350800	Nut, Jam, Hex 1/2-13 Unc
17	175689	Trunnion
18	73800800	Nut, Lock 1/2-13 Unc
19	139868	Arm, Suspension, Rear
20	163552	Spring, Retainer Zinc
31	169865	Bearing, Pvt Lft
32	73540600	Nut Crownlock 3/8-24

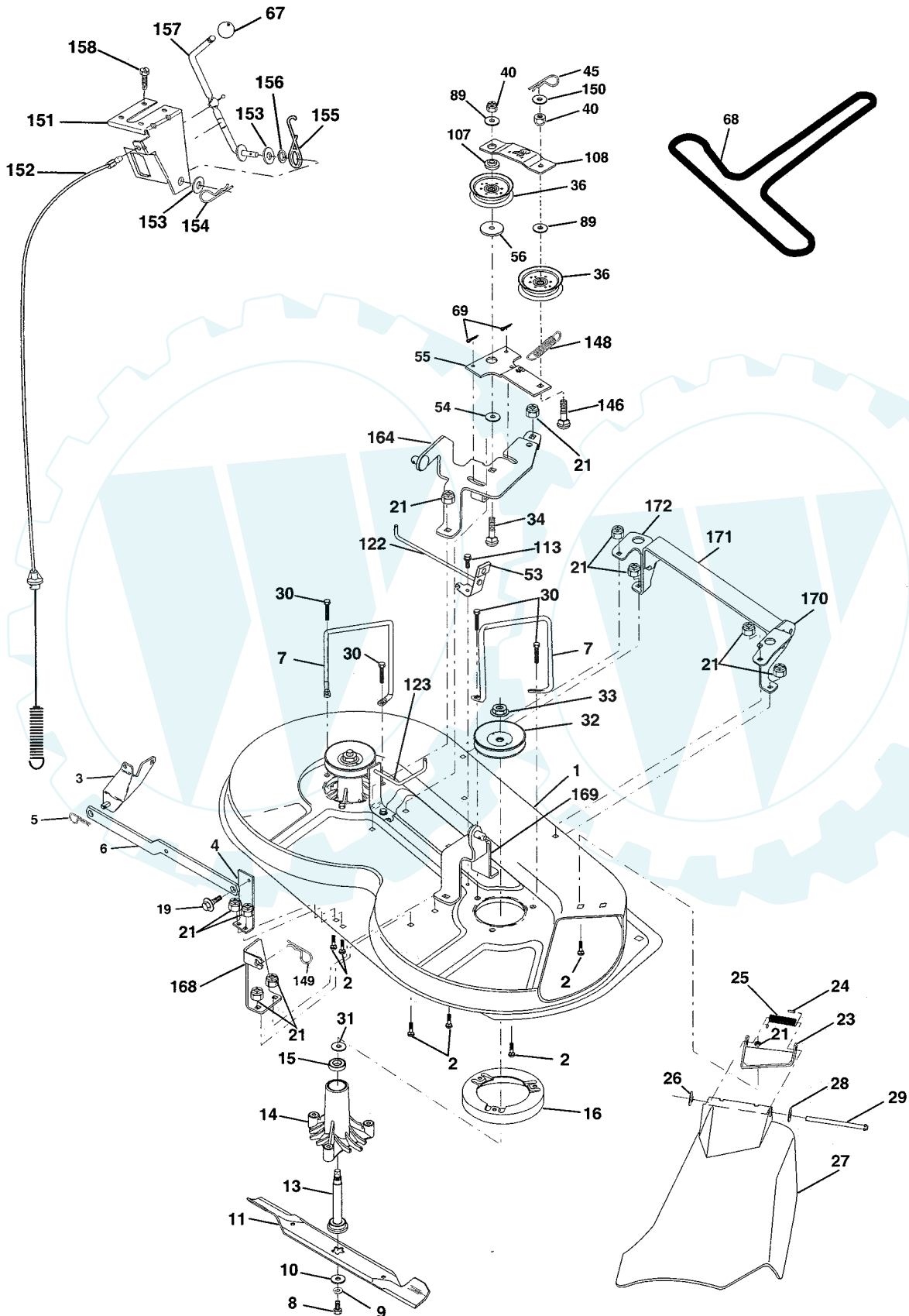
**NOTE:** All component dimensions given in U.S. inches  
1 inch = 25.4 mm

# REPAIR PARTS

[www.ersatzteil-service.de](http://www.ersatzteil-service.de)

## TRACTOR - - MODEL NUMBER REQ1136A

### MOWER DECK



## TRACTOR - - MODEL NUMBER REQ1136A

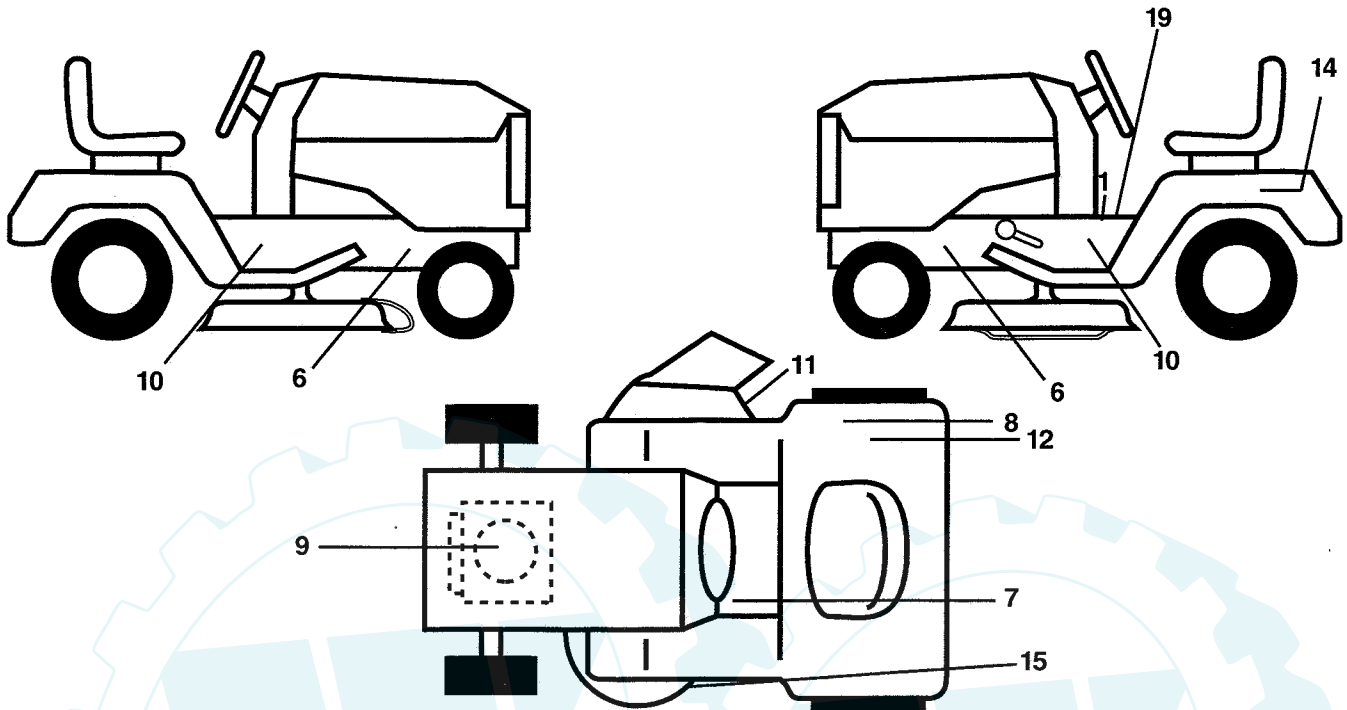
### MOWER DECK

KEY NO.	PART NO.	DESCRIPTION	KEY NO.	PART NO.	DESCRIPTION
1	174595	Deck Asm Weldment	56	165723	Spacer, Retainer
2	72140506	Bolt	67	106932X	Knob Rd 3/8-16 Plstc Thds Blk
3	138017	Asm., Bar, Anti-Sway	68	174978	V-Belt, Mower
4	175654	Bracket Sway Bar 36"	69	76020312	Pin, Cotter 3/32 x 3/4
5	4939M	Spring, Retainer	89	19131612	Washer 13/32 x 1 x 12 Ga.
6	178024	Bar Sway Deck	107	133502	Spacer, Retainer
7	140608	Keeper Belt Lh	108	133503	Stiffener, Idler Arm
8	850857	Bolt 3/8-24 x 1.25 Gr. 8	113	17490508	Screw Thdrol 5/16-18 x 1/2
9	10030600	Washer, Lock	122	174505	Rod, Brake, LH
10	140296	Washer, Hardened	123	174504	Rod, Brake, RH
11	138496	Blade, Mower, Hi Lift	146	165891	Bolt Carriage Idler
13	137645	Asm., Shaft, Mandrel, Vented	148	169022	Spring Return Idler
14	128774	Housing, Mandrel, Vented	149	165898	Retainer Spring Yellow Zinc
15	110485X	Bearing, Ball, Mandrel	150	19091216	Washer 9/32 x 3/4 x 16 Ga.
16	174493	Stripper, Mower	151	169670	Bracket Clutch Cable
19	132827	Bolt, Shoulder	152	176079	Clutch Cable 38"/42"
21	73680500	Nut, Crownlock 5/16 - 18 UNC	153	169674	Washer Flat 3/8" Type B
23	136631	Bracket, Deflector	154	169675	Spring Retainer
24	105304X	Cap, Sleeve	155	169671	Spring Retention Lvr Cltch Cab
25	123713X	Spring, Torsion, Deflector	156	169672	Spacer Clutch Cable 3/8"
26	110452X	Washer, Lock	157	169669	Rod Clutch Cable 3/8"
27	175029X428	Deflector, Shield	158	17720408	Screw Hex Thd Cut 1/4-20 x 1/2
28	19111016	Washer 11/32 x 5/8 x 16 Ga.	164	174976	Bracket Asm Support Susp 36"
29	121980X	Rod, Hinge	168	172377	Bracket Deck Cable 36"
30	173984	Screw Hex Thdrol	169	174977	Bracket Asm Suspension
31	129963	Washer, Spacer	170	172359	Bracket Suspension RF
32	153531	Pulley, Mandrel	171	165237	Brace Support Susp Frt
33	178342	Nut Flange Top Lock	172	172355	Brace Suspension LF
34	72110614	Bolt Rdhd 3/8-16 x 1-3/4	--	130794	Mandrel Assembly(Includes Housing, Shaft and Shaft Hardware Only - Pulley Not Included)
36	131494	Pulley, Idler, Flat	--	180876	Replacement Mower, Complete
40	73680600	Nut, Crownlock 3/8 - 16 UNC			
45	4497H	Retainer Spring 1: Zinc/Cad			
53	130840	Brake Assembly			
54	133943	Washer, Hardened			
55	133840	Arm, Idler Assembly			

**NOTE:** All component dimensions given in U.S. inches  
1 inch = 25.4 mm

## TRACTOR - - MODEL NUMBER REQ1136A

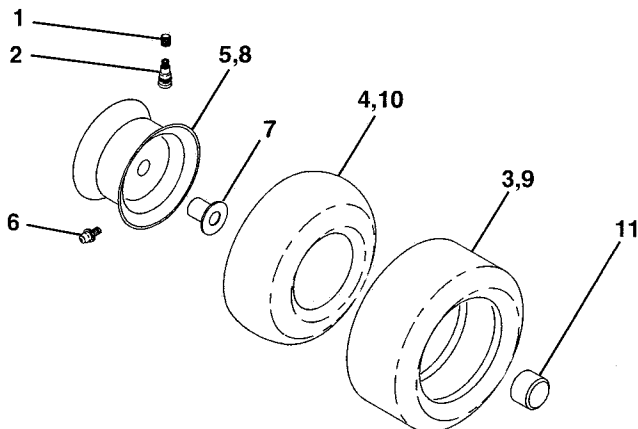
### DECALS



KEY NO.	PART NO.	DESCRIPTION
1	145498	Decal, Instruction, Operation
6	159736	Decal, Chassis Hot Muffler
7	159737	Decal, Brake/Clutch Symbol LT
8	145437	Decal, Europe Stand CE
9	170843	Decal, HP Engine
10	181192	Decal, Chassis
11	145494	Decal, Mower Cutoffinger Symbol
12	126187X	Decal 100 DBA

KEY NO.	PART NO.	DESCRIPTION
14	145005	Decal, Btry Dngr/Psn P/L Sym
15	136832	Decal, V-Belt
19	140837	Decal, Parking Brake
--	138311	Decal, Handle, Lift, Height Adjust (Lift Handle)
--	162598	Decal, Drawbar Load Limit
--	181338	Manual, (Euro) Operator's
--	181339	Manual, (Scand) Operator's
--	181340	Manual, Repair Parts

### TIRES AND WHEELS



KEY NO.	PART NO.	DESCRIPTION
1	59192	Cap, Valve
2	65139	Stem, Valve
3	124157X	Tire Front
4	59904	Tube, Front (not furnished)
5	106732X427	Rim, Asm. Front
6	278H	Grease Fitting (rear tire only)
7	9040H	Bearing, Flange (front tire only)
8	106108X427	Rim, Asm. Rear
9	123969X	Tire, Rear
10	7152J	Tube, Rear (not furnished)
11	104757X428	Cap, Axle
--	144334	Sealant, Tire (10 oz. Tube)

**NOTE:** All component dimensions given in U.S. inches  
1 inch = 25.4 mm