

**REPAIR PARTS MANUAL**  
**MODEL NO. REN11597 (96011020703)**  
**Lawn Tractor**

---

# HOW TO USE THIS MANUAL

This manual is designed to provide the customer with a means to identify the parts on his/her tractor when ordering repair parts. The illustrations may or may not represent the actual assemblies; therefore, it is not recommended to use this manual as a guide to assemble or disassemble the tractor. Some hardware and parts are drawn larger in order to more readily identify them.

Each tractor has its own model number.

The model number for your tractor can be found on the fender under the seat.

When ordering parts, always give the following information:

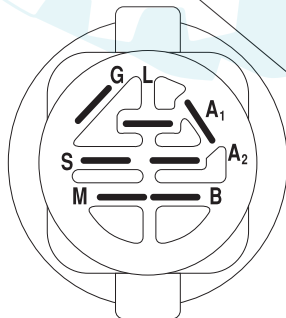
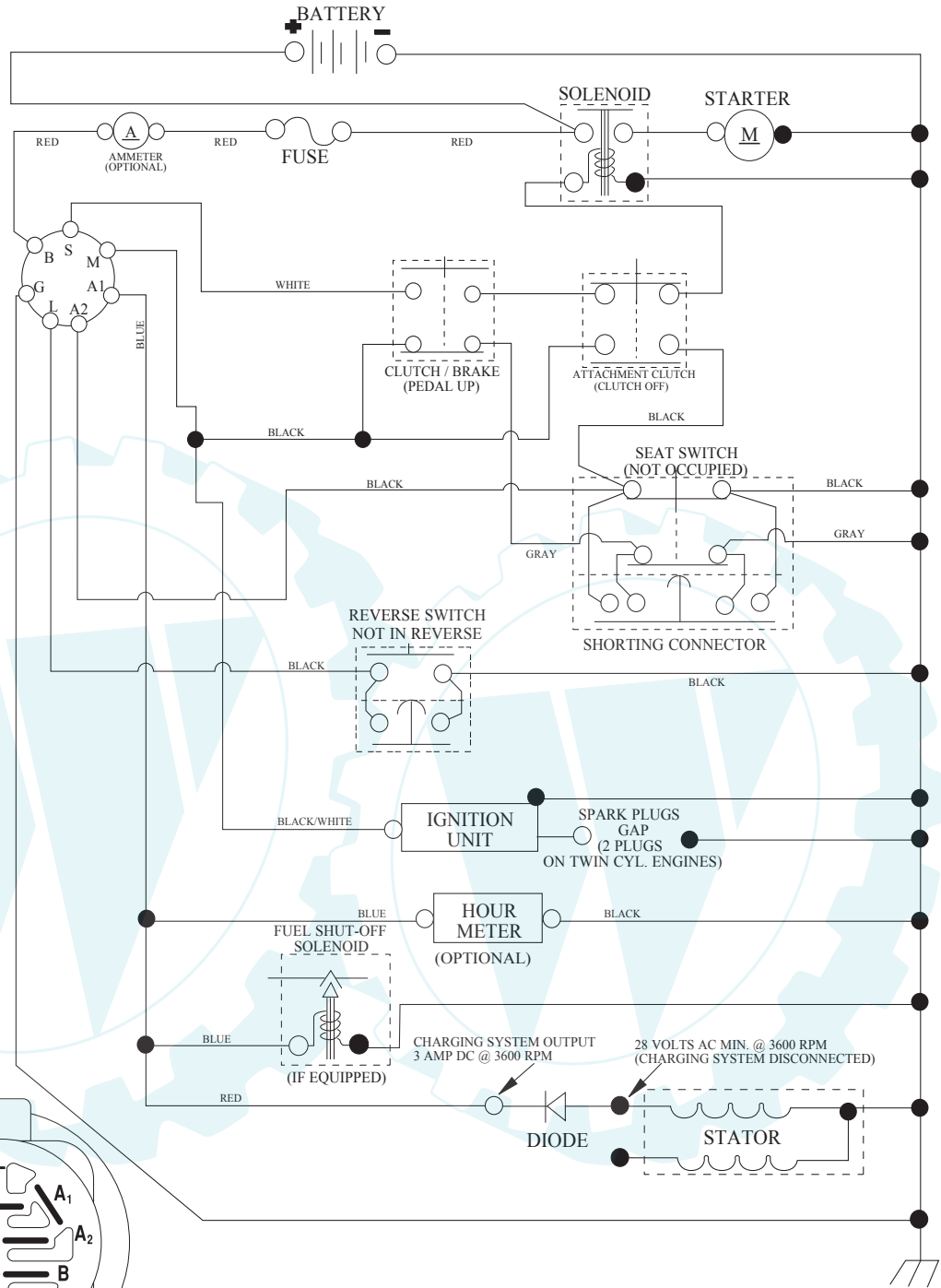
- Product - "Tractor"
  
- Model Number - "REN11597 (96011020703)"
- Part Number
- Part Description

## TABLE OF CONTENTS

SCHEMATIC .....	3
ELECTRICAL.....	4-5
CHASSIS .....	6-7
DRIVE.....	8-9
STEERING .....	10-11
ENGINE.....	12-13
SEAT .....	14
DECALS.....	15
MOWER DECK.....	16-17
MOWER LIFT.....	18

**TRACTOR - - MODEL NUMBER RENT1597 (96011020703), PRODUCT NO. 960 11 02-07**  
**SCHEMATIC**

SCH01



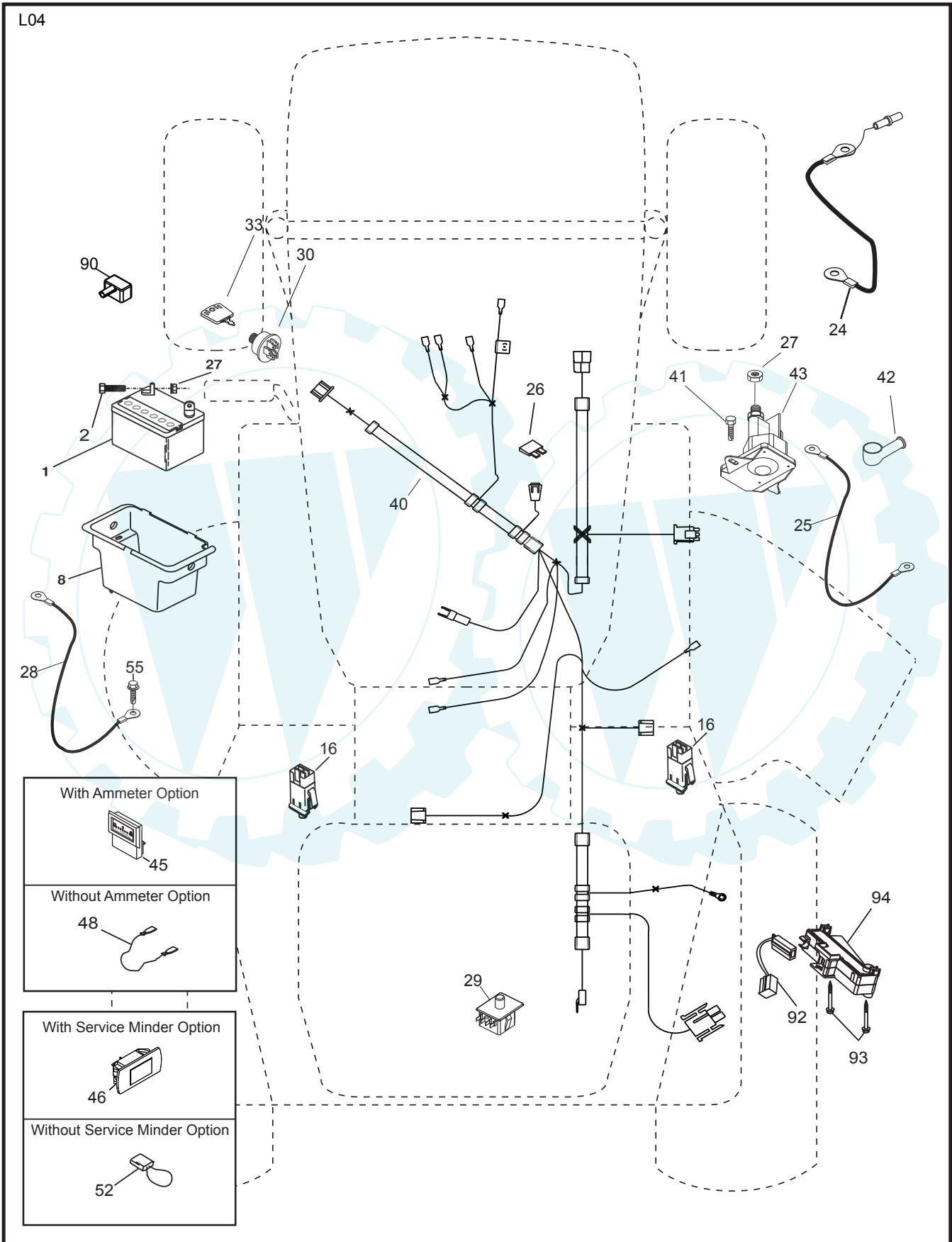
IGNITION SWITCH

POSITION	CIRCUIT "MAKE"
OFF	M+G+A1
RUN/OVERRIDE	B+A1
RUN	B+A1 L+A2
START	B + S + A1

WIRING INSULATED CLIPS  
 NOTE: IF WIRING INSULATED CLIPS WERE REMOVED FOR SERVICING OF UNIT, THEY SHOULD BE RE-INSTALLED TO PROPERLY SECURE YOUR WIRING.

○  
 REMOVABLE CONNECTIONS

●  
 NON-REMOVABLE CONNECTIONS



[www.ersatzteil-service.de](http://www.ersatzteil-service.de)  
**TRACTOR - - MODEL NUMBER RENT1597 (96011020703), PRODUCT NO. 960 11 02-07  
 ELECTRICAL**

KEY NO.	PART NO.	DESCRIPTION
1	532 16 34-65	Battery 12 Volt 25 Amp
2	874 76 04-12	Bolt Hex Hd 1/4-20 unc x 3/4
8	532 17 66-89	Battery Box
16	532 17 61-38	Switch Interlock Push-In
24	<b>532 42 12-99</b>	Cable Starter 6 Ga. 11" Red
25	<b>532 42 12-97</b>	Cable Ground Rear Battery 8 Ga. 44"
26	532 17 51-58	Fuse
27	873 51 04-00	Nut Keps Hex 1/4-20 unc
28	<b>532 42 12-98</b>	Cable Ground 6 Ga. 12" Black
29	532 19 27-49	Switch Seat
30	532 19 33-50	Switch Ign
33	532 41 19-35	Key/Chain
40	532 19 74-28	Harness Ign
41	871 11 04-08	Bolt Blk Fin Hex 1/4-20
42	532 13 15-63	Cover Terminal Red
43	532 19 25-07	Solenoid
48	532 14 08-44	Adapter Ammeter
52	532 14 19-40	Protection Wire Loop
55	<b>817 49 06-08</b>	Screw 3/8-16 x 1/2
90	532 18 04-49	Cover Terminal Battery
92	532 19 66-15	Harness Pigtail Consle ROS
93	532 19 25-40	Screw Plastite 10-14 x 2.0
94	532 19 18-34	Module Reverse ROS

**NOTE:** All component dimensions given in U. S. inches  
 1 inch = 25.4 mm.



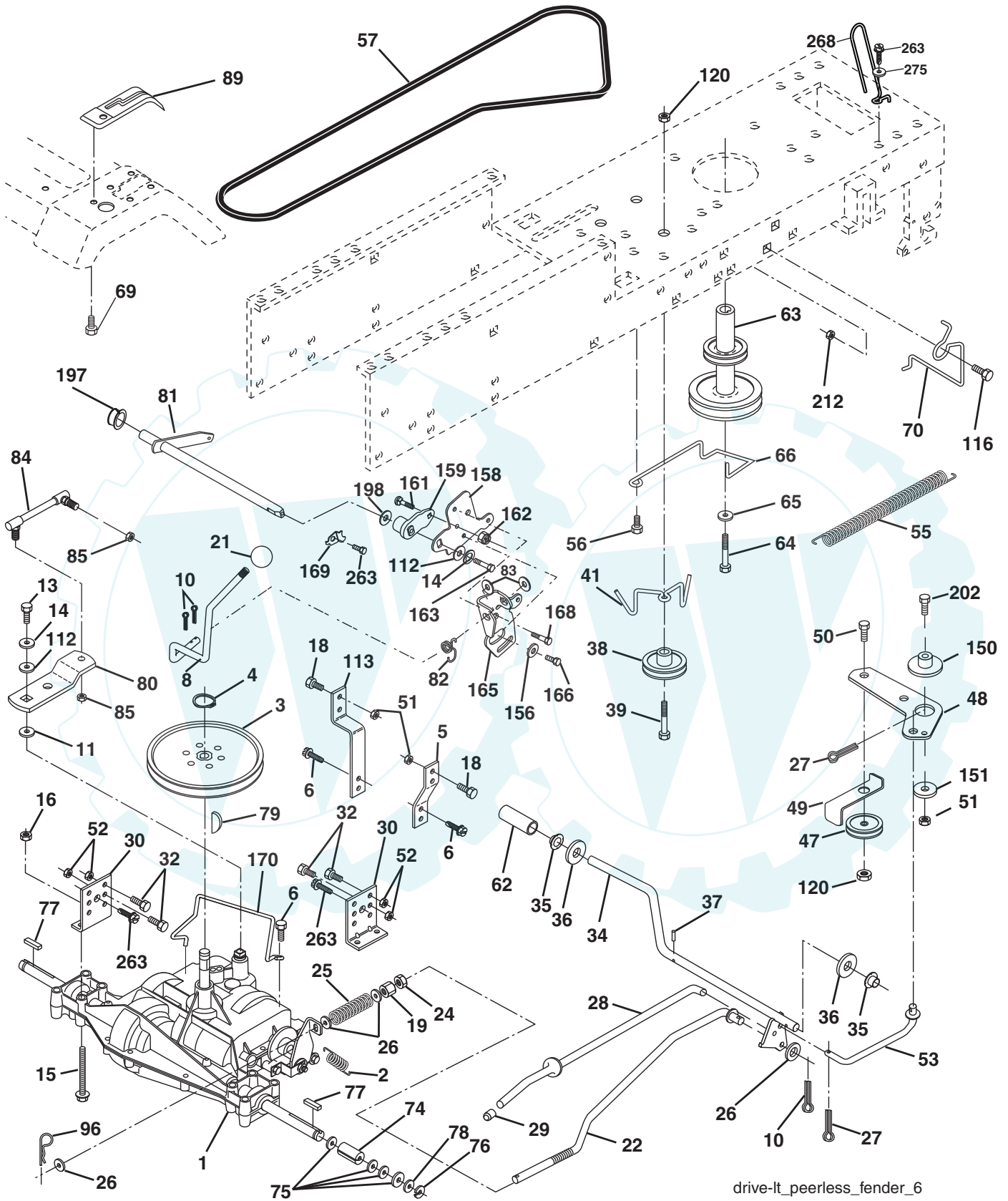
[www.ersatzteil-service.de](http://www.ersatzteil-service.de)  
**TRACTOR - - MODEL NUMBER RENT 1597 (96011020703), PRODUCT NO. 960 11 02-07**  
**CHASSIS AND ENCLOSURES**

KEY NO.	PART NO.	DESCRIPTION
1	532 17 46-20	Chassis
2	532 17 65-54	Drawbar
5	532 15 52-72	Bumper, Hood/Dash
6	532 18 44-19	Saddle
8	532 15 51-38	Clip Retainer Slide-On
9	532 19 46-88	Dash
10	872 14 06-08	Bolt, Carriage 3/8-16 x 1
11	532 17 49-96	Panel Dash LH
13	532 18 69-52	Panel Silkscr Dash RH
15	874 18 05-12	Screw Mach TRHD 5/16-18 unc x 3/4
16	873 51 05-00	Nut Keps 5/16-18 Unc
17	532 18 67-07	Hood
18	532 18 49-21	Bumper Hood
24	874 78 06-16	Bolt Fin Hex 3/8-16 unc x 1 Gr. 5
25	819 13 13-12	Washer 13/32 x 13/16 x 12 Ga.
26	873 80 06-00	Nut Lock Hex w/Ins 3/8-16 unc
28	532 18 67-18	Grille
30	532 19 58-55	Fender
31	532 13 66-19	Bracket Fender Repl 109873x
33	532 18 11-93	Footrest Pnt LH
34	532 18 11-94	Footrest Pnt RH
35	872 11 06-06	Bolt Rdhd Sht Sqnk 3/8-16 x 3/4
37	817 49 05-08	Screw Thdrol 5/16-18 x 1/2 TYT
38	532 17 57-10	Bracket Asm. Pivot Mower Rear
39	532 40 78-07	Bracket Pivot
145	532 40 91-67	Rod Pivot Hood
205	817 49 06-08	Screw Thdrol 3/8-16 x 1/2
206	532 17 01-65	Bolt Shoulder 5/16-18
208	817 67 06-08	Screw Thdrol 3/8-16 x 1/2
209	817 00 06-12	Screw Hex Wsh Thdrol 3/8-16
278	<b>532 41 63-58</b>	Screw 10 x 3/4 Single Lead-Hex
--	532 00 54-79	Plug Button Blk 359 Dia Choke
--	532 19 39-35	Plug Switch Light

**NOTE:** All component dimensions given in U.S. inches  
 1 inch = 25.4 mm.

TRACTOR - - MODEL NUMBER RENT11597 (96011020703), PRODUCT NO. 960 11 02-07  
DRIVE

[www.ersatzteil-service.de](http://www.ersatzteil-service.de)



drive-lt\_peerless\_fender\_6



**TRACTOR - - MODEL NUMBER RENT1597 (96011020703), PRODUCT NO. 960 11 02-07 DRIVE**

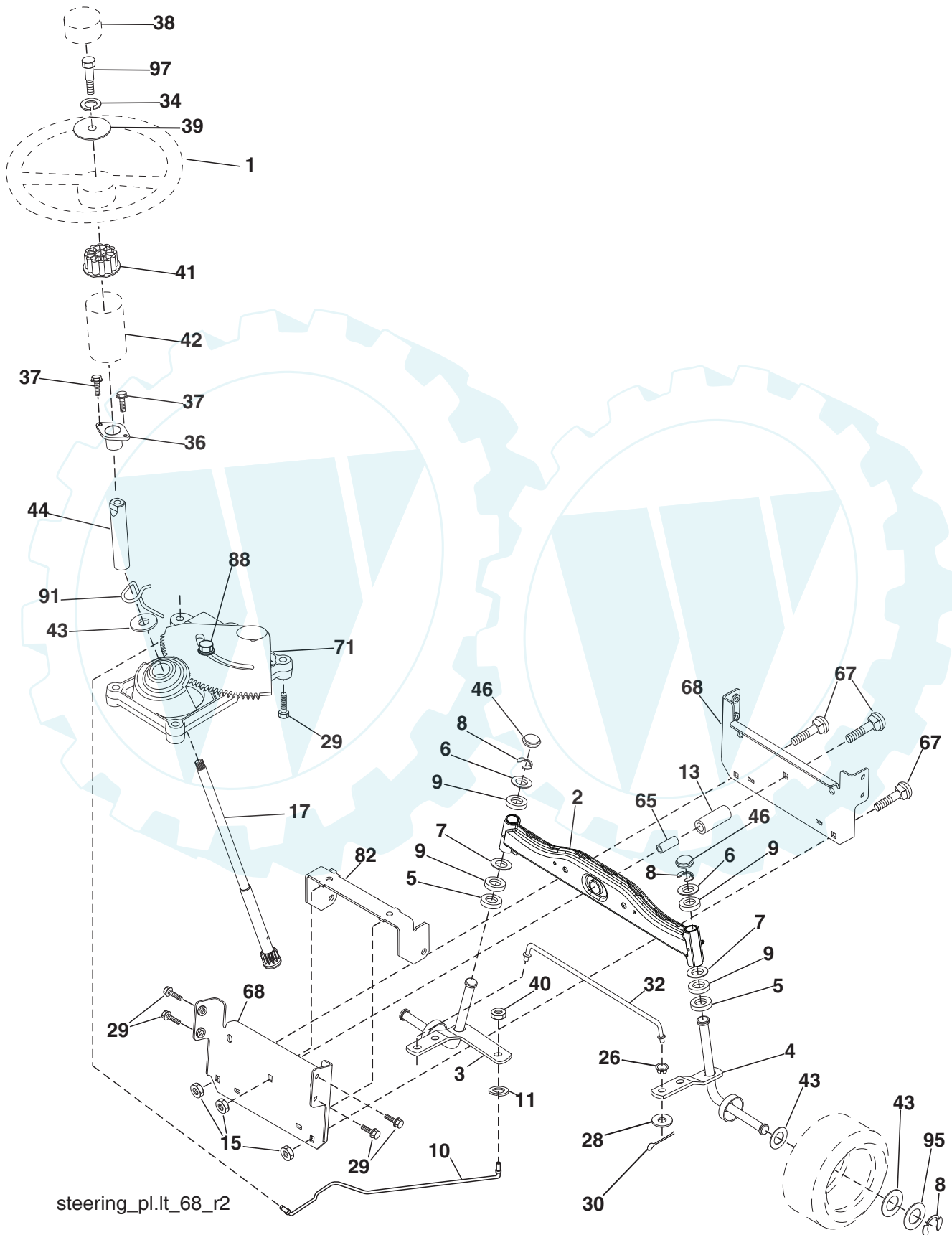
[www.ersatzteil-service.de](http://www.ersatzteil-service.de)

KEY NO.	PART NO.	DESCRIPTION	KEY NO.	PART NO.	DESCRIPTION
1	-----	Transaxle Peerless PMST <b>205-544C</b> (Order parts from transaxle manufacturer)	64	532 17 39-37	Bolt Hex
2	532 14 66-82	Spring Return Brake T/a Zinc	65	810 04 07-00	Washer Lock Hvy Hlcl Spr 7/16
3	532 12 36-66	Pulley Transaxle 18" Tires	66	532 15 47-78	Keeper Belt Engine Foolproof
4	812 00 00-28	Ring Retainer #5100-62	69	532 14 24-32	Screw Hex 1/4-1/2 unc
5	532 12 15-20	Strap Torque 30 Degrees	70	532 13 46-83	Guide Belt Mower Drive RH
6	817 06 05-12	Screw 5/16-18 x 3/4	74	532 13 70-57	Spacer Axle
8	532 19 27-06	Rod Shift Fender Adjust Lt	75	532 12 17-49	Washer 25/32 x 1 1/4 x 16 Ga.
10	876 02 04-16	Pin Cotter 1/8 x 1 Cad	76	812 00 00-01	E-ring #5133-75
11	532 10 57-01	Washer Plate Shf 388 Sq Hole	77	532 12 35-83	Key Square 2 0 x 1845/1865
13	874 55 04-12	Bolt 1/4-28 unf Gr. 8 w/Patch	78	532 12 17-48	Washer 25/32 x 1-5/8 x 16 Ga.
14	810 04 04-00	Washer Lock Hvy Helical	79	532 12 50-96	Key Woodruff #9 3/16 x 3/4
15	874 49 05-44	Bolt Hex 5/16-18 Gr. 5	80	532 13 14-86	Arm Shift
16	873 80 05-00	Nut Lock Hex w/Ins 5/16-18	81	532 16 55-94	Shaft Asm Cross 18"t
18	874 78 06-16	Bolt, Fin Hex 3/8-16 unc x 1 Gr. 5	82	532 16 57-11	Spring Torsion T/a
19	873 80 06-00	Nut Lock 3/8-16 unc	83	819 17 12-16	Washer 17/32 x 3/4 x 16 Ga.
21	532 10 69-33	Knob	84	532 16 62-28	Link Transaxle
22	532 13 08-04	Rod Brake	85	532 15 03-60	Nut Lock Center 1/4-28 FNTHD
24	873 35 06-00	Nut Hex Jam 3/8-16 unc	89	532 19 58-61	Console Shift STLT
25	532 10 68-88	Spring Rod Brake 2 00 Zinc	96	532 12 47-88	Retainer Spring 1"
26	819 13 13-16	Washer 13/32 x 13/16 x 16 Ga.	112	819 09 12-10	Washer 9/32 x 3/4 x 10 Ga.
27	876 02 04-12	Pin Cotter 1/8 x 3/4 Cad	113	532 12 72-85	Strap Torque LT
28	532 17 57-65	Rod Brake Parking LT/YT	116	872 14 06-08	Bolt Rdhd Sq Neck 3/8-16 x 1.0
29	532 07 16-73	Cap Brake Parking Black	120	873 90 06-00	Nut Lock Flg. 3/8-16 unc
30	532 17 49-73	Bracket Mtg Transaxle	150	532 17 54-56	Spacer
32	874 76 05-12	Bolt Hex Hd 5/16-18 unc x 3/4	151	819 13 32-10	Washer 13/32 x 2 x 10 Ga.
34	532 17 55-78	Shaft Asm Pedal Foot	156	532 16 60-02	Washer Srrted 5/16 ID x 1.125
35	532 12 01-83	Bearing Nylon Blk 629 Id	158	532 16 55-89	Bracket Shift Mount
36	819 21 16-16	Washer 21/32 x 1 x 16 Ga.	159	532 18 39-00	Hub Shift
37	532 12 49-63	Pin Roll 3/16 x 1"	161	872 14 04-06	Bolt Rdhd Sqnk 1/4-20 x 3/4 Gr. 5
38	532 17 91-14	Pulley Idler Composite	162	873 68 04-00	Nut Crownlock 1/4-20 unc
39	872 11 06-22	Bolt Fin Hex 3/8-16 unc x 2-3/4 Gr. 5	163	874 78 04-16	Bolt Hex Fin 1/4-20 unc x 1 Gr. 5
41	532 17 55-56	Keeper Belt Idler Flat	165	532 16 56-23	Bracket Pivot Lever
47	532 12 77-83	Pulley Idler V Groove Plastic	166	817 49 05-10	Screw 5/16-18 x 5/8
48	532 15 44-07	Bellcrank Clutch Grnd Driv	168	532 16 54-92	Bolt Shoulder 5/16-18 x .561
49	532 12 32-05	Retainer Belt Style Spring	169	532 16 55-81	Plate Fastening Lt
50	872 11 06-12	Bolt 3/8-16 x 1-1/2 Gr. 5	170	532 18 74-14	Keeper, Belt T/A
51	873 68 06-00	Nut Crownlock 3/8-16 unc	197	532 16 96-13	Nyliner Snap-In
52	873 68 05-00	Nut Crownlock 5/16-18 unc	198	532 16 98-45	Washer Nyl
53	532 19 96-52	Link Clutch	202	872 11 06-14	Bolt Carr. SH 3/8-16 x 1-3/4 Gr. 5
55	532 10 57-09	Spring Return Clutch 6 75	212	532 14 52-12	Nut, Hex Flange Lock
56	817 06 06-20	Screw 3/8-16 x 3/4	263	817 00 06-12	Screw 3/8-16 x 3/4
57	532 13 82-55	V-Belt Ground Drive 95 25	268	532 18 24-02	Guard Muffler
62	532 12 48-72	Cover Pedal Round	275	819 13 16-14	Washer 13/32 x 1 x 14 Ga.
63	532 17 54-10	Engine Pulley			

**NOTE:** All component dimensions given in U.S. inches  
1 inch = 25.4 mm

TRACTOR - - MODEL NUMBER RENT11597 (96011020703), PRODUCT NO. 960 11 02-07  
STEERING

[www.ersatzteil-service.de](http://www.ersatzteil-service.de)



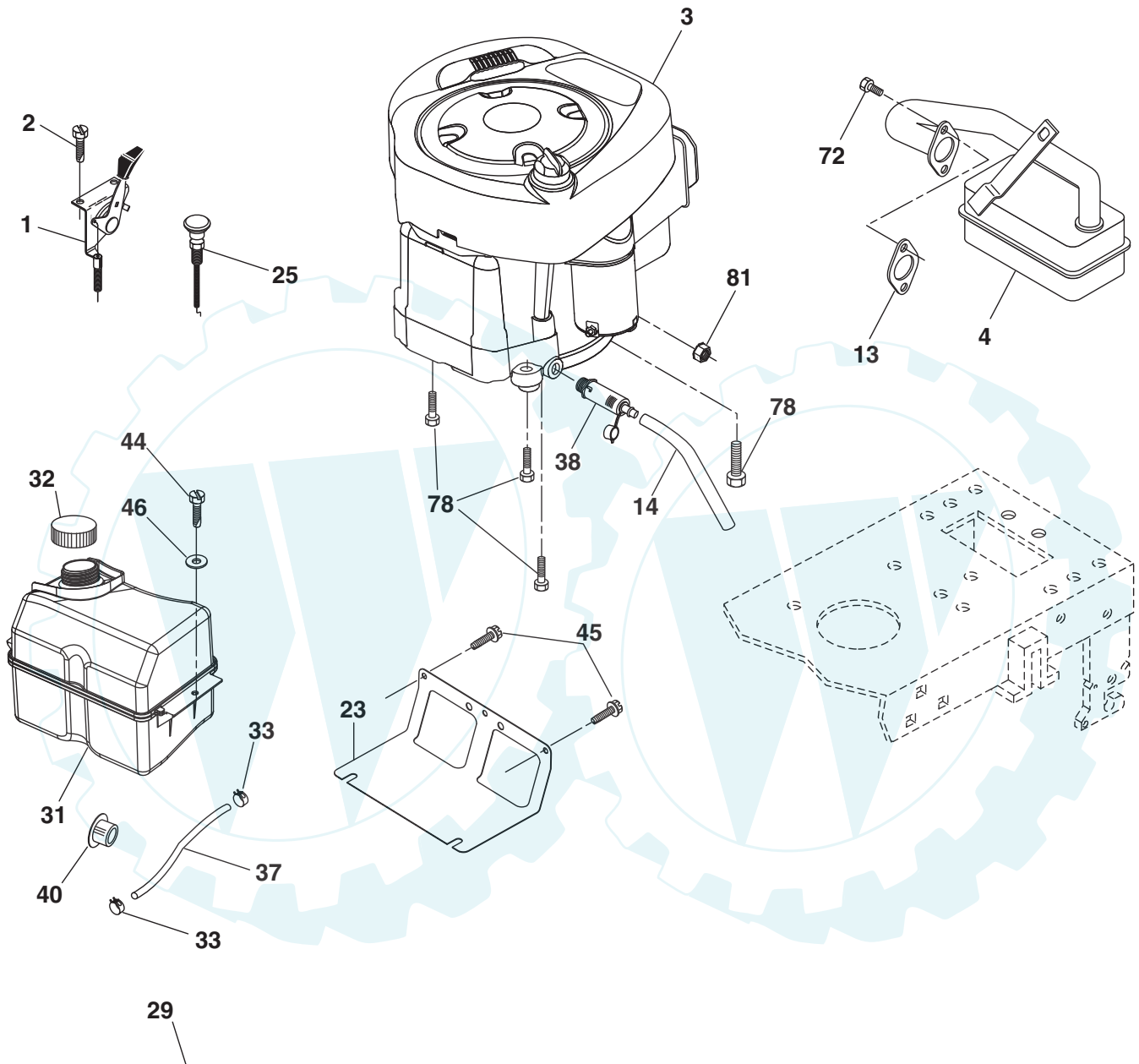
steering\_pl.lt\_68\_r2

**TRACTOR - - MODEL NUMBER RENT 1597 (96011020703), PRODUCT NO. 960 11 02-07  
STEERING**



KEY NO.	PART NO.	DESCRIPTION
1	532 18 67-80	Wheel Steering
2	<b>532 41 81-68</b>	Axle Asm
3	532 16 98-40	Spindle Asm LH
4	532 16 98-39	Spindle Asm RH
5	532 12 49-31	Bearing Race Thrust Harden
6	532 12 17-48	Washer 25/32 x 1-5/8 x 16 Ga.
7	819 27 20-16	Washer 27/32 x 1-1/4 x 16 Ga.
8	812 00 00-29	Ring Klip #t5304-75
9	532 12 49-37	Bearing Col Strg Blk
10	532 17 51-21	Link Drag
11	810 04 06-00	Washer Lock Hvy Hlcl Spr 3/8
13	532 13 65-18	Spacer earing Axle Front
15	532 14 52-12	Hexflange Lock
17	532 19 07-53	Shaft Asm Strg
26	532 12 68-47	Bushing Link Drag Blk LR
28	819 13 14-16	Washer 13/32 x 7/8 x 16 Ga.
29	817 00 06-12	Screw 3/8-16 x 3/4
30	876 02 04-12	Pin Cotter 1/8 x 3/4 Cad
32	532 19 27-57	Rod Tie
34	810 04 05-00	Washer Lock Hvy Hlcl Spr. 5/16
36	532 15 50-99	Bushing Strg 5/8 Id Dash
37	532 15 29-27	Screw
38	532 19 29-16	Cap Wheel Steer
39	819 11 38-12	Washer 11/32 ID x 2-3/8OD 12 Ga.
40	873 54 06-00	Nut Crownlock 3/8-24
41	532 18 67-37	Adaptor Wheel Strg
42	532 16 96-33	Boot Steering
43	532 12 17-49	Washer 25/32 x 1 1/4 x 16 Ga.
44	532 19 07-52	Extension Steering
46	532 12 12-32	Cap Spindle Fr Top Blk
65	532 41 47-36	Spacer Brace Axle
67	872 11 06-18	Bolt RdHd Sqnk 3/8-16 x 2-1/4
68	532 16 98-27	Brace Axle
71	532 17 51-46	Steering Asm
82	532 19 99-78	Bracket Susp Chassis Front
88	532 17 51-18	Bolt shoulder 7/16-20
91	532 17 55-53	Clip Steering
95	532 18 89-67	Washer Hardened
97	874 78 05-64	Bolt 5/16-18 unc x 4" L Gr. 5

**NOTE:** All component dimensions given in U.S. inches  
1 inch = 25.4 mm.



**OPTIONAL EQUIPMENT**  
**Spark Arrester**

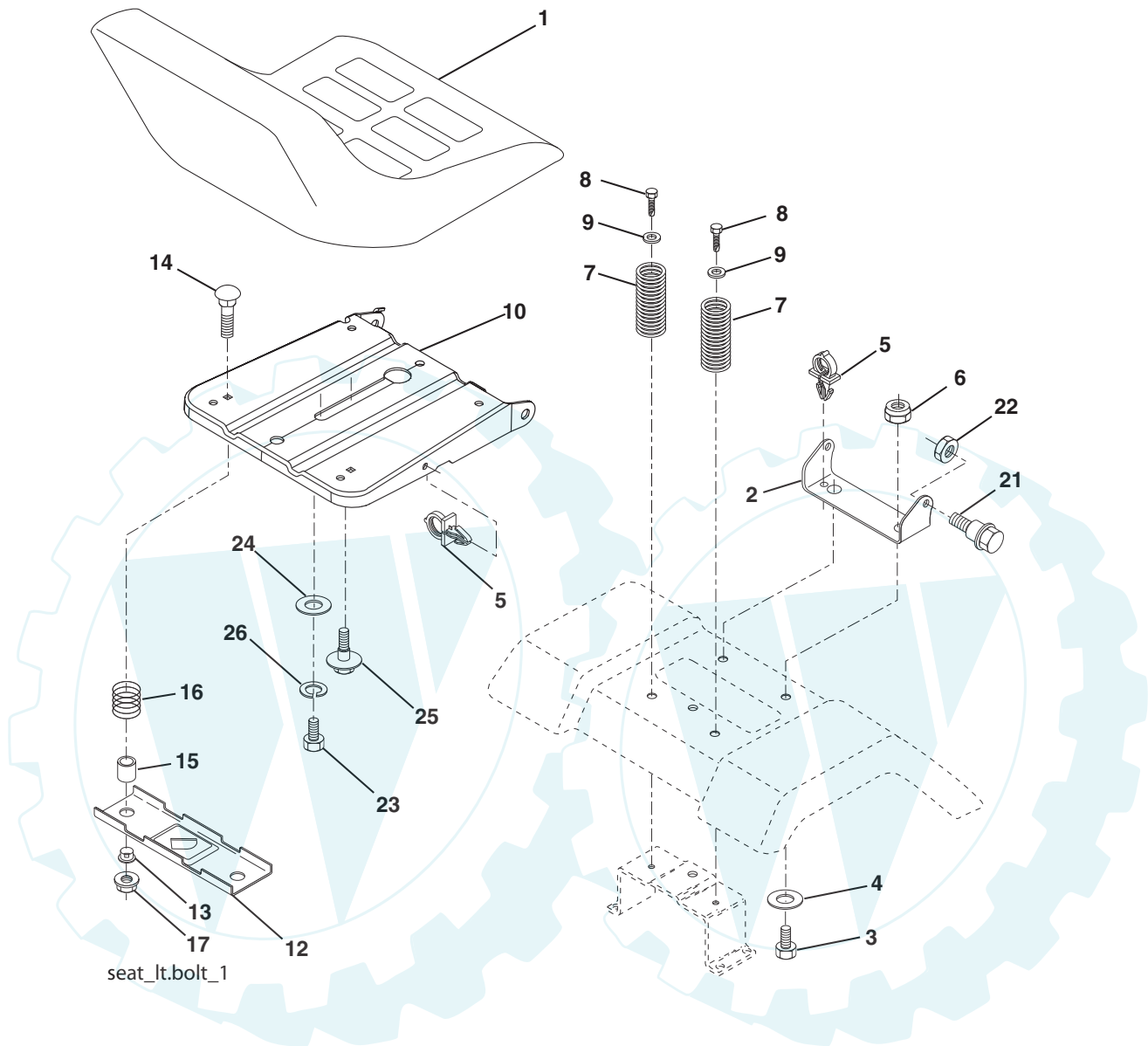
engine-bs.1cyl\_65\_r1

[www.ersatzteil-service.de](http://www.ersatzteil-service.de)  
**TRACTOR - - MODEL NUMBER RENT1597 (96011020703), PRODUCT NO. 960 11 02-07  
 ENGINE**

KEY PART NO.	NO.	DESCRIPTION
1	532 17 05-51	Control Throttle /Choke
2	817 72 04-08	Screw Hex Thd Cut 1/4-20 x 5/8 T
3	-----	Engine Briggs Model <b>217807</b> (Order Parts from Engine Manufacturer)
4	532 17 97-58	Muffler Exhaust
13	532 16 52-91	Gasket
14	532 14 84-56	Tube Drain Oil Easy
23	532 16 98-37	Shield Browning/Debris Guard
25	532 19 06-95	Control Choke
29	532 13 71-80	Arrester Spark
31	532 40 75-16	Tank Fuel
32	532 19 77-25	Cap Asm Fuel Top
33	532 12 34-87	Clamp Hose Blk
37	532 13 70-40	Line Fuel 20"
38	532 18 16-54	Plug Drain Oil Easy
40	532 12 40-28	Bushing
44	817 67 04-12	Screw Hexwsh Thdrol 3/8-16 x 3/4
45	817 00 06-12	Screw 3/8-16 x 3/4
46	819 09 14-16	Washer 9/32 x 7/8 x 16 Ga.
72	532 19 23-34	Screw Sockte HD 5/16-18 x .75
78	817 06 06-20	Screw 3/8-16 x 1-1/4
81	873 51 04-00	Nut Keps Hex 1/4-20 unc

**NOTE:** All component dimensions given in U.S. inches  
 1 inch = 25.4 mm

TRACTOR - - MODEL NUMBER RENT11597 (96011026703), PRODUCT NO. 960 11 02-07  
SEAT



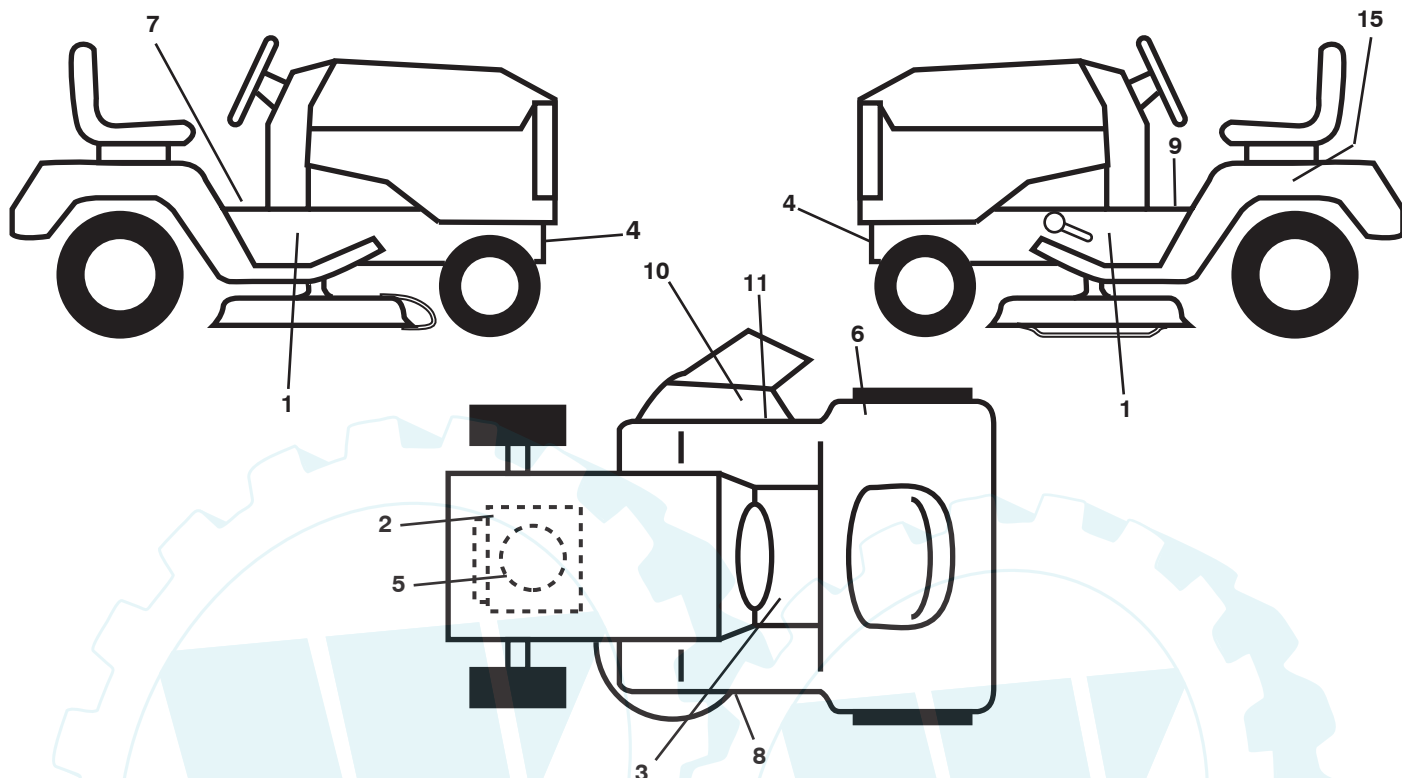
KEY NO.	PART NO.	DESCRIPTION
1	532 40 10-42	Seat
2	532 14 05-51	Bracket Seat Pivot
3	871 11 06-16	Bolt Hex 3/8-16 x 1
4	819 13 16-10	Washer 13/32 x 1 x 10 Ga.
5	532 14 50-06	Clip Push-In Hinged
6	873 80 06-00	Nut Lock Hex w/lns 3/8 - 16
7	532 12 41-81	Spring Seat Cprsn 2 250 Blk Zi
8	817 00 06-16	Screw 3/8-16 x 1.5
9	819 13 16-14	Washer 13/32 x 1 x 14 Ga.
10	532 19 55-30	Pan Pnt Seat (Blk)
12	532 17 46-48	Bracket Pnt Mounting Switch
13	532 12 12-48	Bushing Snap Blk Nyl

KEY NO.	PART NO.	DESCRIPTION
14	872 05 04-12	Bolt Rdhd Sht Nk 1/4 - 20 x 1 -1/2
15	532 13 43-00	Spacer Split .28 x .96
16	532 12 12-50	Spring Cprsn
17	532 12 39-76	Nut Lock 1/4 Lge Flg
21	532 17 18-52	Bolt Shoulder 5/16-18 unc-2A
22	873 80 05-00	Nut Lock Hex w/lns 5/16-18
23	871 11 08-14	Bolt Hex Black
24	819 17 19-12	Washer 17/32 x 1-3/16 x 12 Ga.
25	532 12 70-18	Bolt Shoulder 5/16-18 x .62
26	810 04 08-00	Washer Lock Hvy Hlcl Spr 1/2

**NOTE:** All component dimensions given in U.S. inches  
1 inch = 25.4 mm.



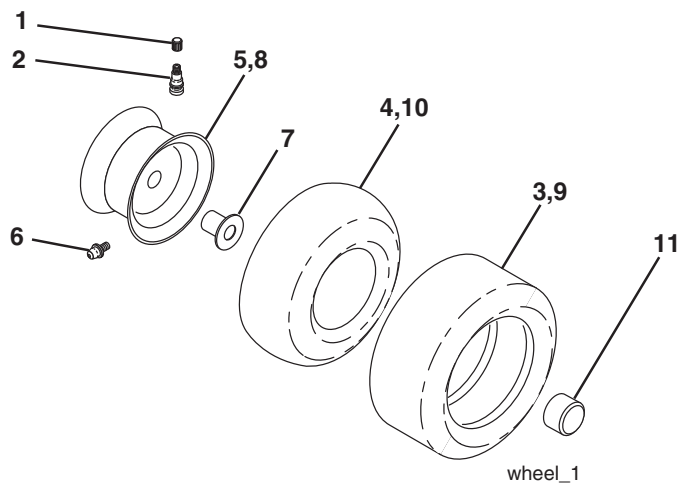
TRACTOR - - MODEL NUMBER RENT1597 (96011020703), PRODUCT NO. 960 11 02-07  
 www.ersatzteil-service.de  
 DECALS



KEY PART NO.	PART NO.	DESCRIPTION
1	532 40 22-08	Decal, Chassis
2	532 19 68-41	Decal, Warning Eng. Syms.
3	532 15 97-37	Decal, Brake/Clutch
4	532 15 97-36	Decal, Hot Muffler
5	<b>532 41 79-25</b>	Decal, Eng. HP
6	532 18 04-32	Decal, DB/CE
7	532 40 03-89	Decal, Warning Syms CE
8	532 19 43-02	Decal, V-Belt Sch.
9	532 14 08-37	Decal, Parking Brake

KEY PART NO.	PART NO.	DESCRIPTION
10	532 18 21-66	Decal, Cut Finger
11	532 19 63-57	Decal, Deflect Wrn Cutfng Sym
15	532 14 50-05	Decal, Caution, Battery
--	532 16 25-98	Decal, Drawbar
--	532 13 83-11	Decal, Handle Lft Height Adj.
--	532 40 09-01	Manual, Operator's, Euro
--	532 40 09-02	Manual, Operator's, Scan
--	532 40 09-03	Manual, Operator's, Ebloc
--	532 40 09-04	Manual, Operator's, Baltic
--	<b>532 42 38-64</b>	Manual Parts

**WHEELS & TIRES**



KEY PART NO.	PART NO.	DESCRIPTION
1	532 05 91-92	Cap, Tire Valve
2	532 06 51-39	Stem, Valve
3	532 12 41-57	Tire, Front
4	532 05 99-04	Tube, Front (Service item only)
5	532 18 33-37	Rim Assembly, 6" Front
6	532 12 49-57	Fitting, Grease (Front wheel only)
7	532 12 49-59	Bearing, Flange (Front wheel only)
8	532 18 33-38	Rim Assembly, 8" Rear
9	532 12 39-69	Tire, Rear
10	532 12 49-26	Tube, Rear (Service item only)
11	532 17 50-39	Cap, Hub Axle
--	532 14 43-34	Sealant, Tire (10 oz. Tube)

**NOTE:** All component dimensions given in U.S. inches  
 1 inch = 25.4 mm



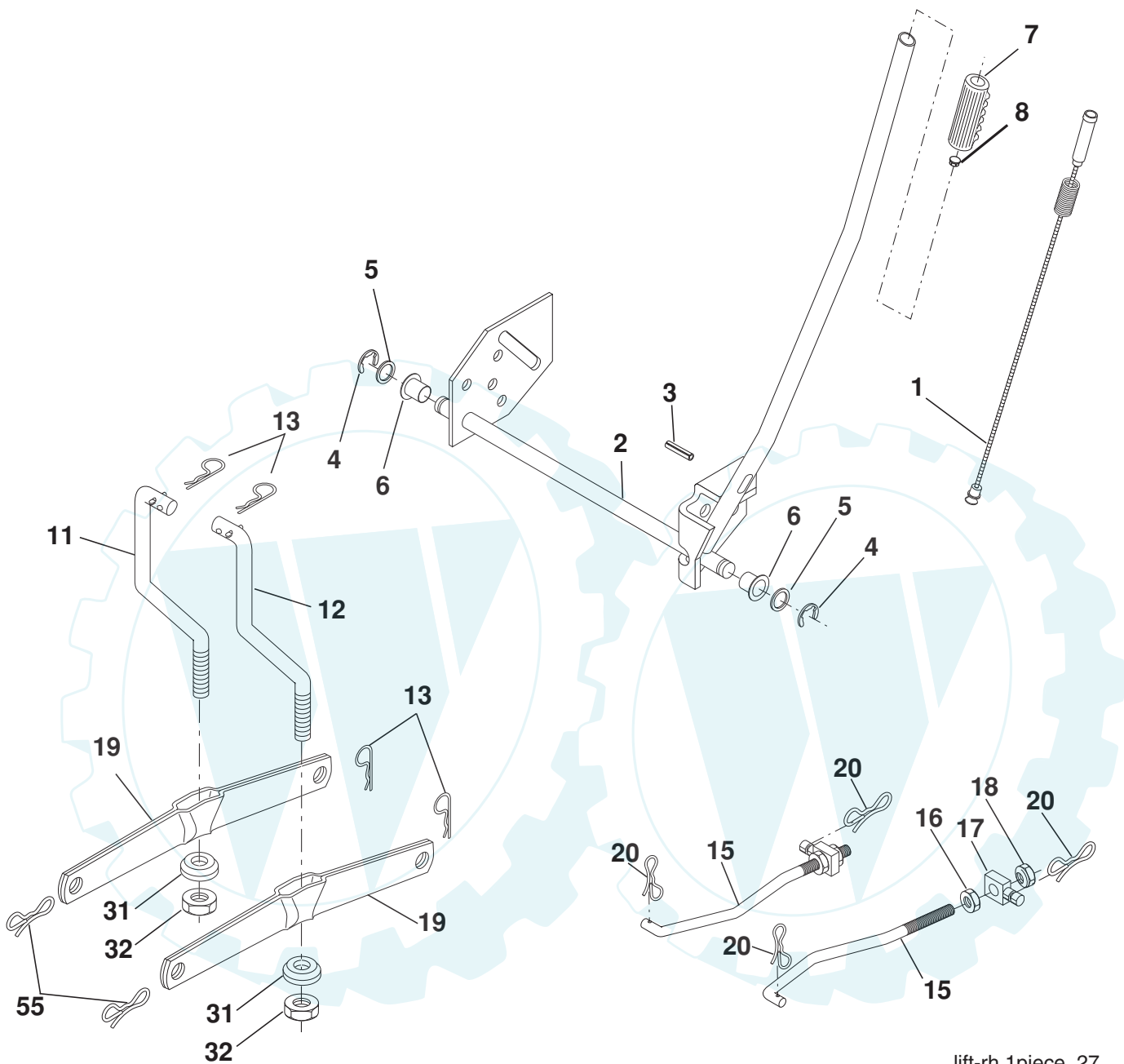


[www.ersatzteil-service.de](http://www.ersatzteil-service.de)  
**TRACTOR - - MODEL NUMBER RENT1597 (96011020703), PRODUCT NO. 960 11 02-07**  
**MOWER DECK**

KEY NO.	PART NO.	DESCRIPTION	KEY NO.	PART NO.	DESCRIPTION
1	532 19 25-56	Mower Deck Assembly	68	532 19 32-14	Belt
2	872 14 05-06	Bolt	72	532 19 32-16	Spring Brake Return
3	532 13 80-17	Bracket Assembly, Sway Bar	89	819 13 13-11	Washer 13/32 x 13/16 x 11 Ga.
4	532 19 25-68	Bracket Sway Bar	107	532 13 35-02	Spacer, Retainer
5	532 12 46-70	Retainer Spring	108	532 13 35-03	Stiffener, Idler Arm
6	532 17 80-24	Bar Sway Deck	122	532 41 01-89	Linkage Brake LH
7	873 80 05-00	Nut Lock Hex w/Ins 5/16-18	123	532 41 01-90	Linkage Brake RH
8	532 19 30-03	Bolt/Washer Asm. 7/16-20 unf	144	532 19 34-14	Keeper Belt Idler Tension
11	532 19 39-57	Blade, Mower	148	532 16 90-22	Spring Return Idler
13	532 19 28-72	Shaft Assembly, Mandrel	149	532 16 58-98	Retainer Spring Yellow Zinc
14	532 18 72-81	Housing, Mandrel, Vented	150	819 09 12-10	Washer 9/32 x 3/4 x 10 Ga.
15	532 11 04-85	Bearing, Ball, Mandrel	152	532 19 32-35	Cable Clutch
18	872 14 05-05	Bolt Rdhd Sqnk 5/16-18 x 5/8	158	817 72 04-08	Screw Hex Thd Cut 1/4-20 x 1/2
19	532 13 28-27	Bolt, Shoulder	185	532 18-82-34	Head Asm Cable Clutch
20	532 40 00-95	Baffle Vortex Front	186	817 49 06-44	Screw Hexwsh Thdr 3/8-16 x 2-3/4
21	873 68 05-00	Nut Crownlock 5/16-18	187	532 19 34-12	Keeper Belt Front
23	532 19 25-57	Bracket, Mower Deflector	188	532 16 58-91	Bolt Carriage Idler
24	532 10 53-04	Cap, Sleeve	189	532 19 25-59	Brake Stand
25	532 19 70-26	Spring, Torsion, Deflector	190	532 19 25-60	Brake Arm
26	532 11 04-52	Nut, Push	191	532 19 25-61	Spacer Brake
27	532 40 14-72	Shield, Deflector	193	532 19 34-13	Keeper Belt RH
29	532 13 14-91	Rod, Hinge	194	<b>532 19 41-05</b>	Guard Brake
30	532 17 39-84	Screw Thdrol	195	819 13 32-10	Washer 13/32 x 2 x 10 Ga.
31	532 18 76-90	Washer, Spacer	214	532 19 37-82	Bolt/Washer Asm 5/16-18
32	532 15 35-32	Pulley, Mandrel	--	532 19 25-58	Brake Assembly
33	532 40 02-34	Nut, Toplock, Flanged	--	532 19 28-70	Mandrel Assembly (Includes Housing, Shaft and Shaft Hardware Only - Pulley Not Included)
36	532 13 14-94	Pulley, Idler, Flat	--	532 19 36-46	Replacement Mower, Complete
37	532 19 31-98	Pulley Idler, Flat			
40	873 68 06-00	Nut Crownlock 3/8-16			
45	532 12 47-88	Retainer, Spring			
55	532 13 38-40	Idler Arm Assembly			
56	532 16 57-23	Spacer, Retainer			
67	532 10 69-32	Knob RD 3/8-16 Plstc Thd			

**NOTE:** All component dimensions given in U.S. inches  
 1 inch = 25.4 mm

TRACTOR - - MODEL NUMBER RENT11597 (96011020703), PRODUCT NO. 960 11 02-07  
MOWER LIFT



lift-rh.1piece\_27

KEY NO.	PART NO.	DESCRIPTION
1	532 40 50-07	Plunger Asm. Lift Lever
2	532 19 80-70	Shaft Asm Lift RH
3	532 18 88-22	Pin Groove
4	812 00 00-02	E Ring #5133-62
5	819 21 16-21	Washer 21/32 x 1 x 21 Ga
6	532 12 01-83	Bearing Nylon Blk 629 Id
7	532 10 94-13	Grip Handle Bicycle Matte Blk
8	532 12 45-26	Button Plunger Black
11	532 13 98-65	Link Lift LH Fixed Length
12	532 13 98-66	Link Lift RH Fixed Length
13	532 12 46-70	Retainer Spring

KEY NO.	PART NO.	DESCRIPTION
15	532 17 32-88	Link Front
16	873 35 08-00	Nut Jam Hex 1/2-13 unc
17	532 17 56-89	Trunnion
18	873 80 08-00	Nut Lock w/Wsh 1/2-13 unc
19	532 13 98-68	Arm Suspension Rear
20	532 19 42-09	Retainer, Spring
31	532 16 98-65	Bearing Pvt Lift
32	873 54 06-00	Nut Crownlock 3/8-24
55	532 19 42-08	Pin Cotter 5/16 Bow Tie Lock

**NOTE:** All component dimensions given in U.S. inches  
1 inch = 25.4 mm.